



US00D947161S

(12) **United States Design Patent**
Chen

(10) **Patent No.:** **US D947,161 S**
(45) **Date of Patent:** **** Mar. 29, 2022**

(54) **MICROPHONE ACOUSTIC ENCLOSURE**

(71) Applicant: **GUANGZHOU MAILONG NETWORK TECHNOLOGY CO., LTD.**, Guangzhou (CN)

(72) Inventor: **Dongmei Chen**, Enping (CN)

(73) Assignee: **GUANGZHOU MAILONG NETWORK TECHNOLOGY CO., LTD.**, Guangzhou (CN)

(**) Term: **15 Years**

(21) Appl. No.: **29/781,543**

(22) Filed: **Apr. 30, 2021**

(51) **LOC (13) Cl.** **14-01**

(52) **U.S. Cl.**
USPC **D14/225**

(58) **Field of Classification Search**
USPC D14/210, 206, 225, 226; D6/643, 635, D6/332; D17/99

CPC G10K 15/00; G10K 15/02; G10K 15/08; G10K 11/00; G10K 11/16; G10K 11/162; E04B 1/84; E04B 1/99; E04B 1/82; E04B 2001/8414; H04R 1/086

See application file for complete search history.

(56) **References Cited**

U.S. PATENT DOCUMENTS

3,550,720	A *	12/1970	Ballard	H04R 1/086 181/175
D356,569	S *	3/1995	Gioscia	D14/210
5,444,790	A *	8/1995	Kogen	H04R 1/086 381/189
D363,719	S *	10/1995	Cindrich	D14/210

D450,684	S *	11/2001	Morgan	D14/217
D536,540	S *	2/2007	Partridge	D6/332
D650,005	S *	12/2011	Perks	D17/99
D774,318	S *	12/2016	Tsuchiyama	D6/332
D798,615	S *	10/2017	Lievore	D6/332
D874,164	S *	2/2020	Hamilton	D6/332
D894,262	S *	8/2020	Trimarchi	D17/99
D901,459	S *	11/2020	Zhao	D14/229
D905,022	S	12/2020	Zheng		
D910,604	S	2/2021	Zheng		
2008/0164090	A1 *	7/2008	Wang	G10K 11/16 181/198
2013/0001011	A1 *	1/2013	Panosh	G10K 11/16 181/287
2017/0006367	A1 *	1/2017	Domash	E06B 9/00
2017/0070800	A1 *	3/2017	Kauffman	H04R 1/086
2019/0251949	A1 *	8/2019	Ekuni	H04R 1/403

* cited by examiner

Primary Examiner — Doris Clark

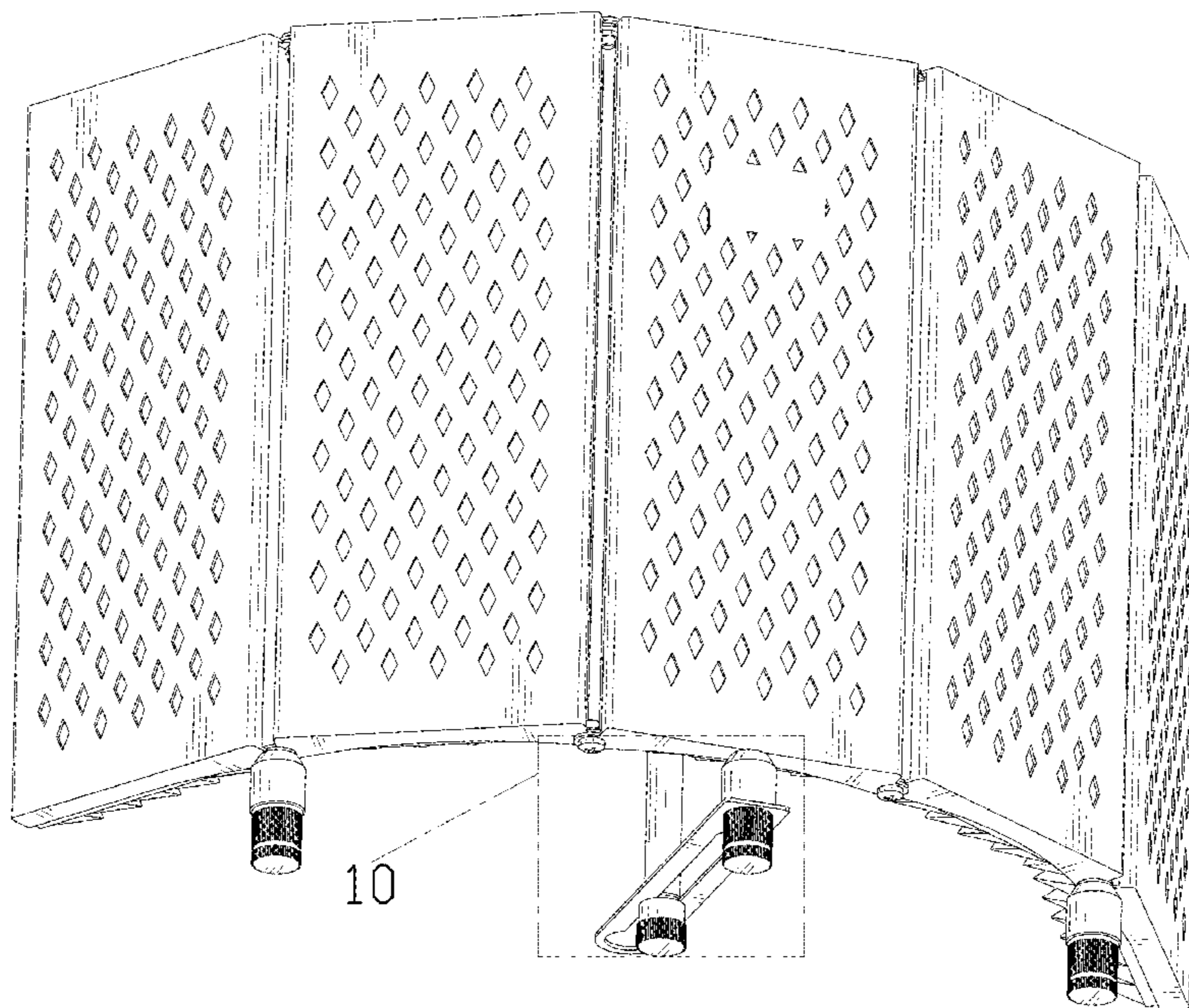
(57) **CLAIM**

The ornamental design for a microphone acoustic enclosure, as shown and described.

DESCRIPTION

FIG. 1 is a perspective view of a microphone acoustic enclosure showing my new design;
 FIG. 2 is another perspective view thereof;
 FIG. 3 is a front elevational view thereof;
 FIG. 4 is a rear elevational view thereof;
 FIG. 5 is a left side elevational view thereof;
 FIG. 6 is a right side elevational view thereof;
 FIG. 7 is a top plan view thereof;
 FIG. 8 is a bottom plan view thereof;
 FIG. 9 is an enlarged view of portion 9 shown in FIG. 1; and,
 FIG. 10 is an enlarged view of portion 10 shown in FIG. 2.

1 Claim, 10 Drawing Sheets



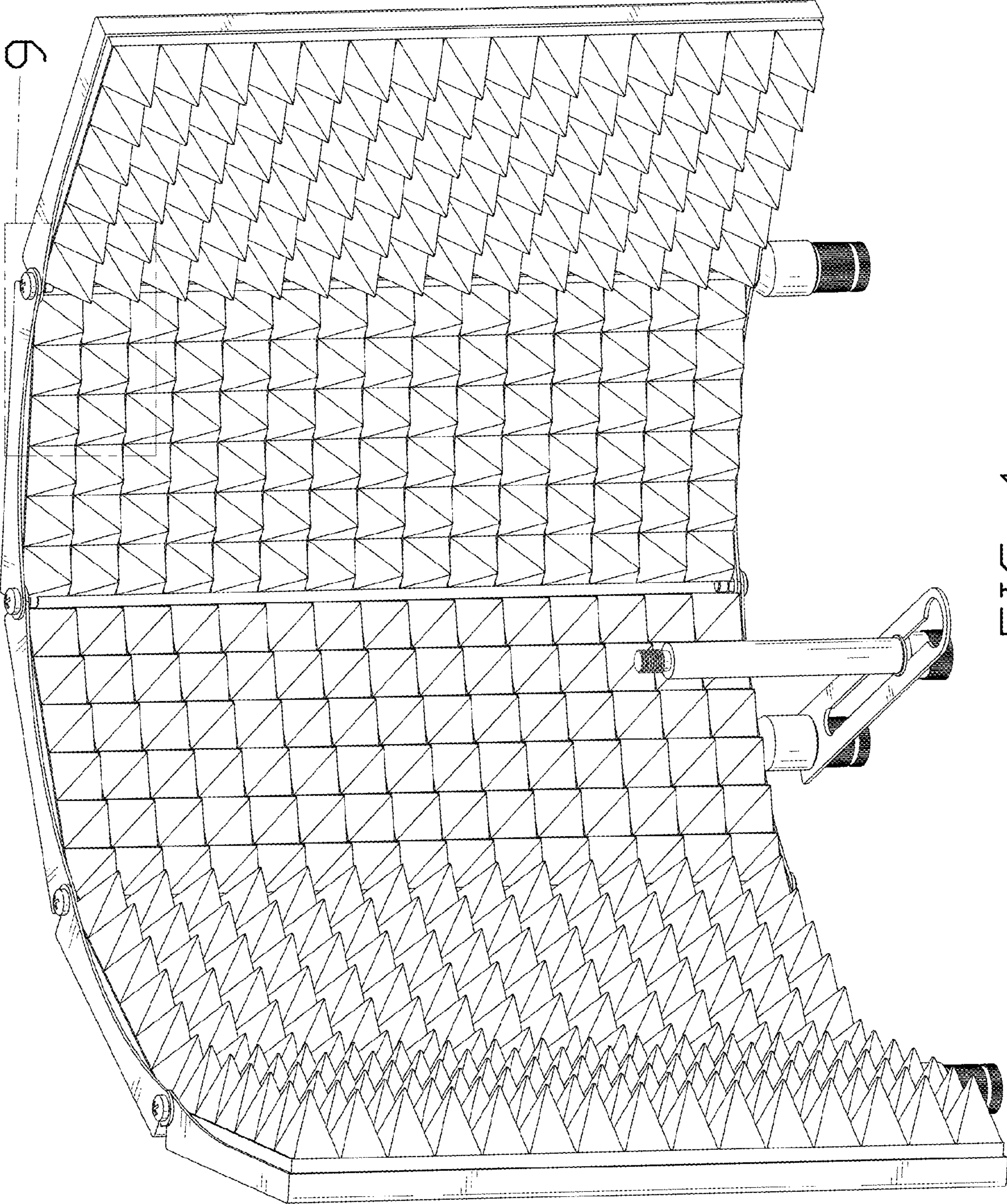


FIG. 1

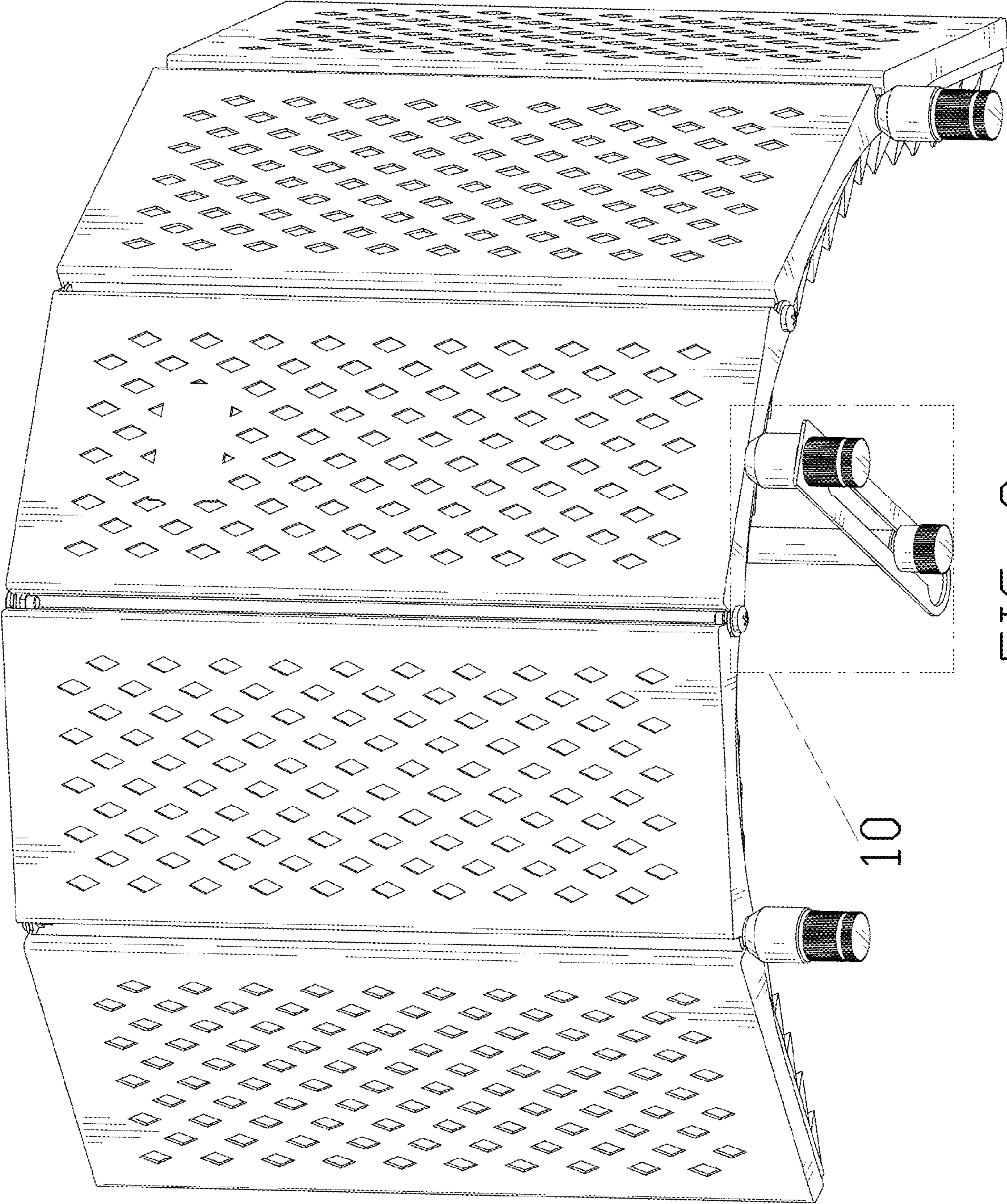


FIG. 2

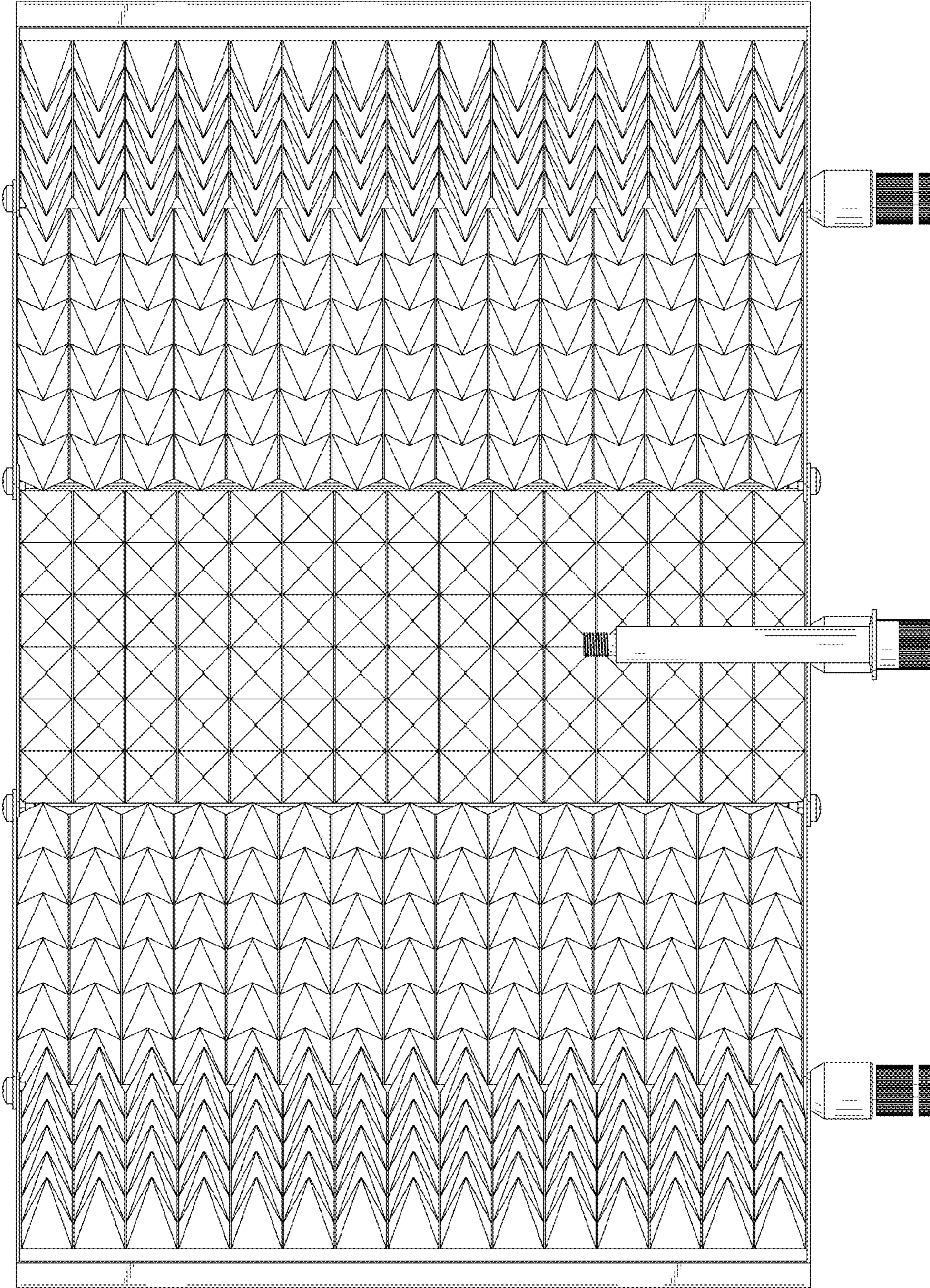


FIG. 3

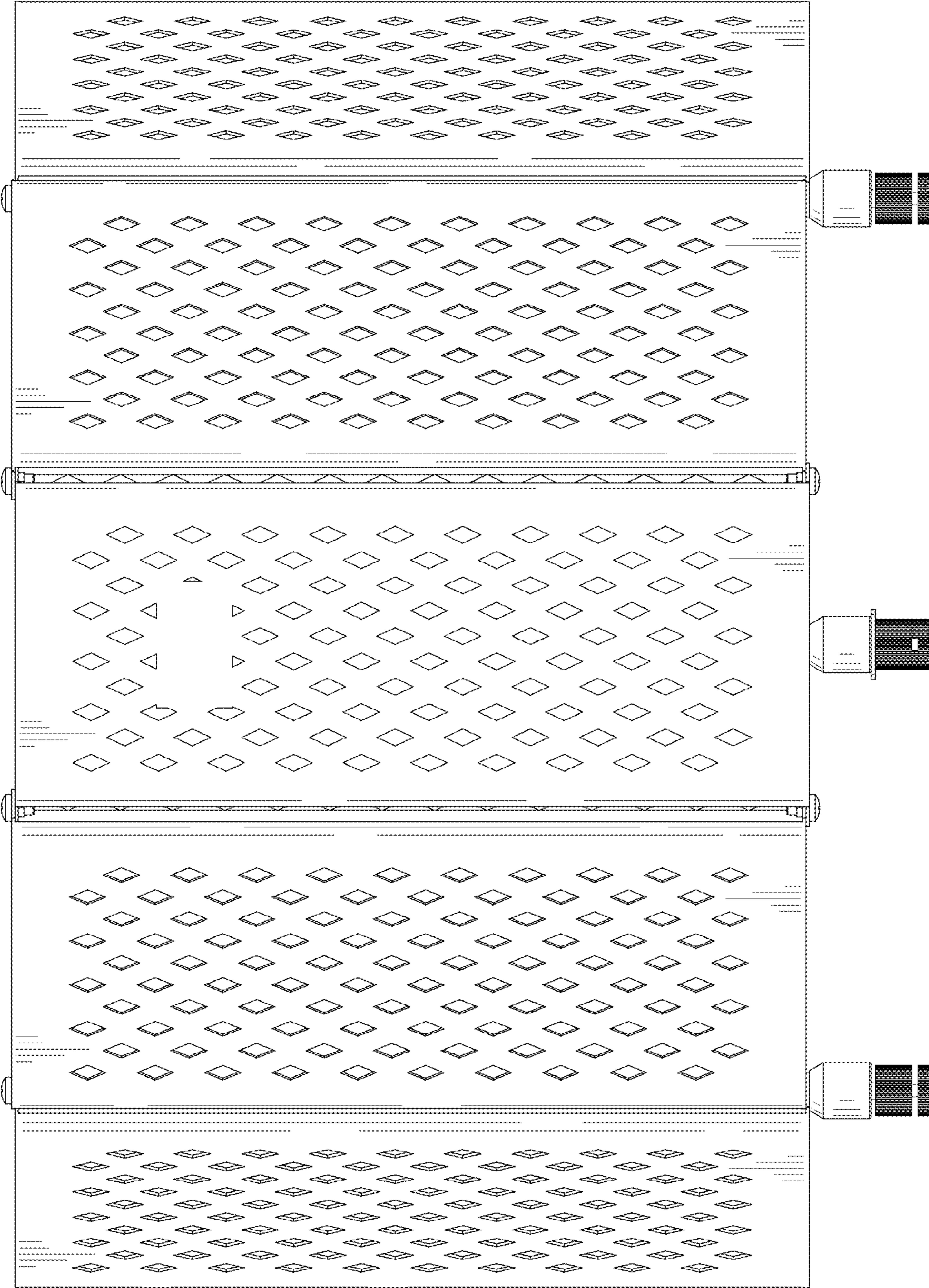


FIG. 4

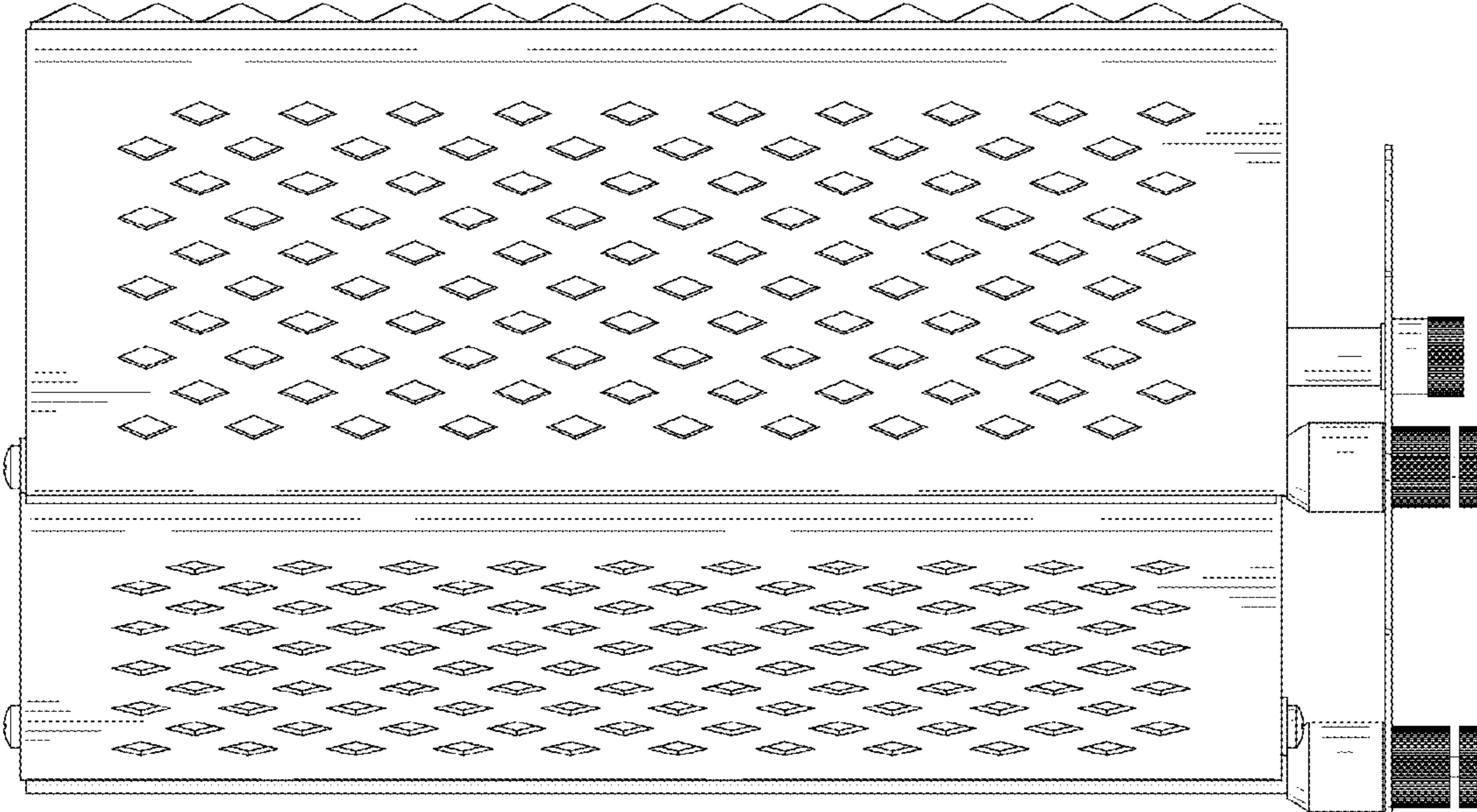


FIG. 5

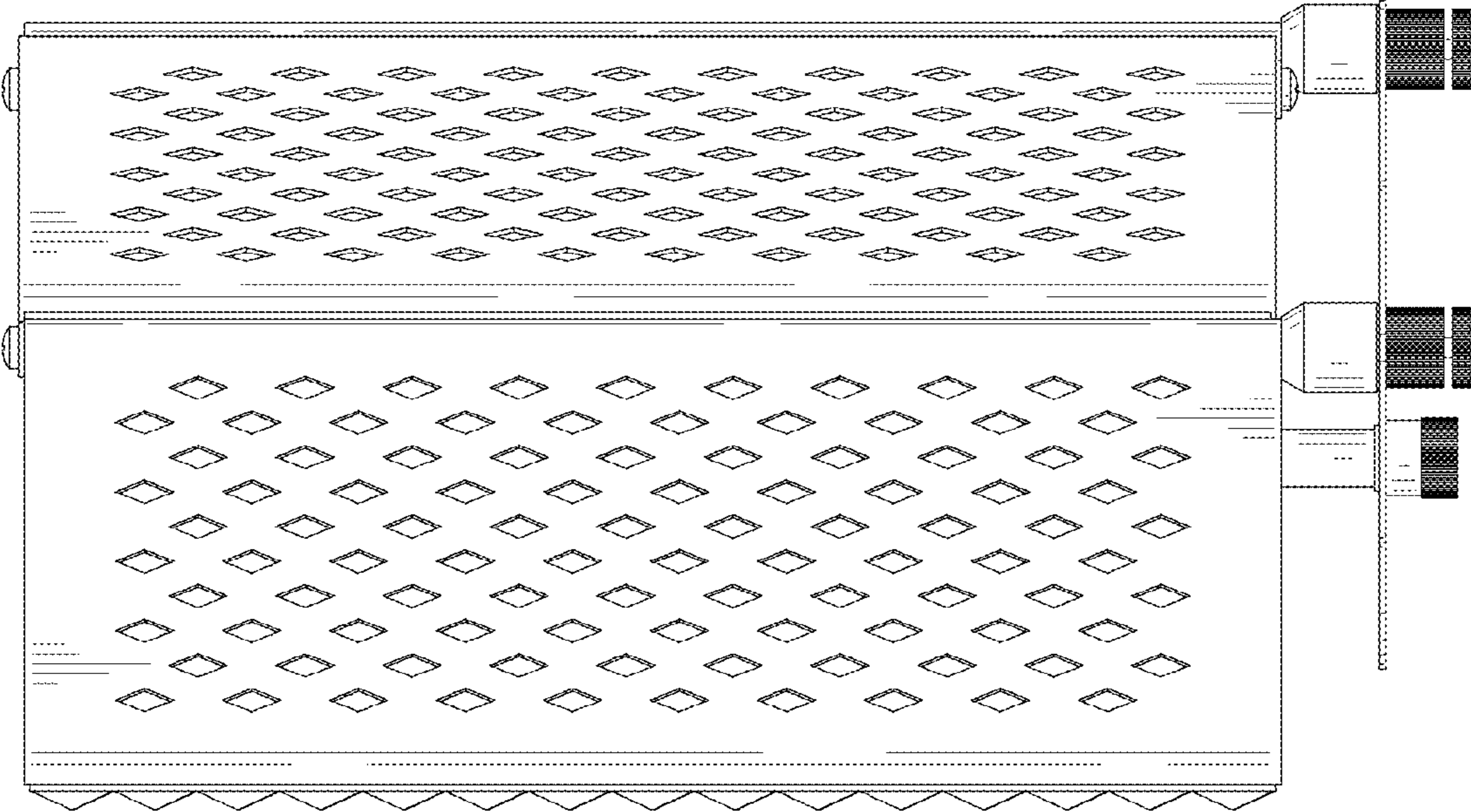


FIG. 6

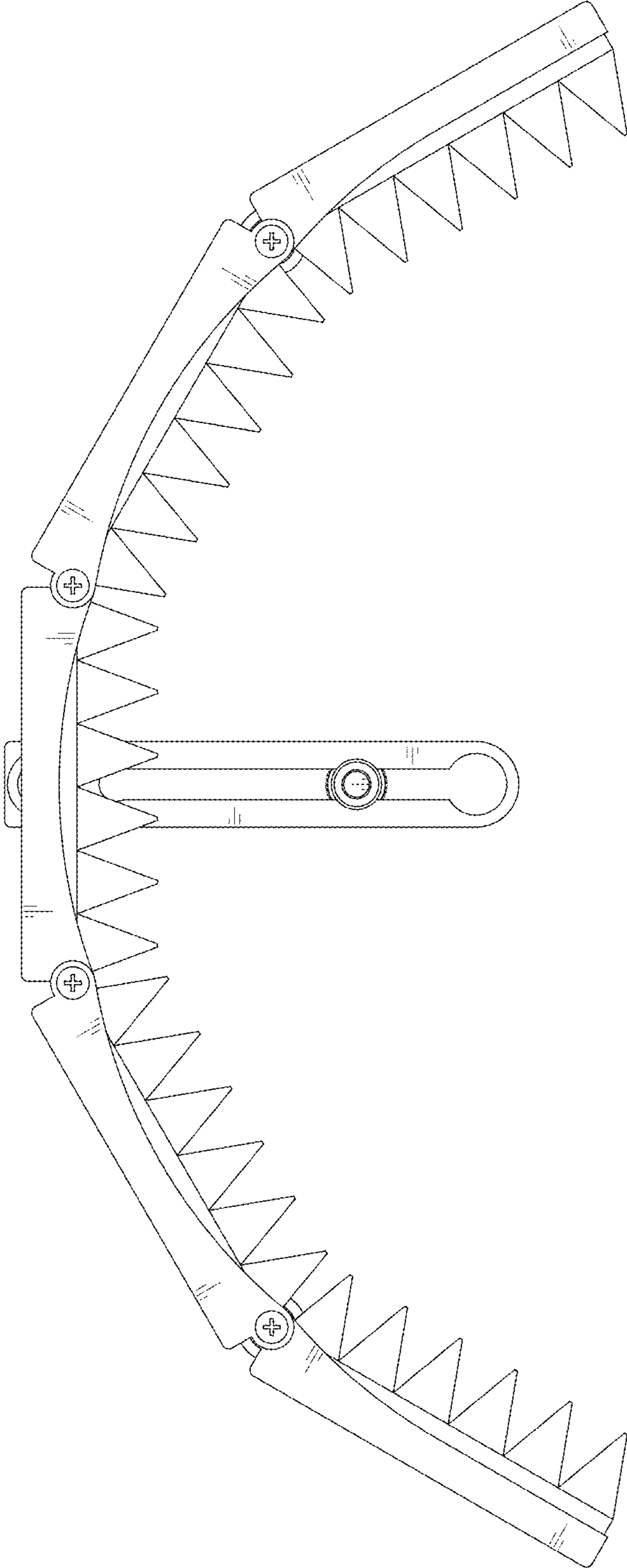


FIG. 7

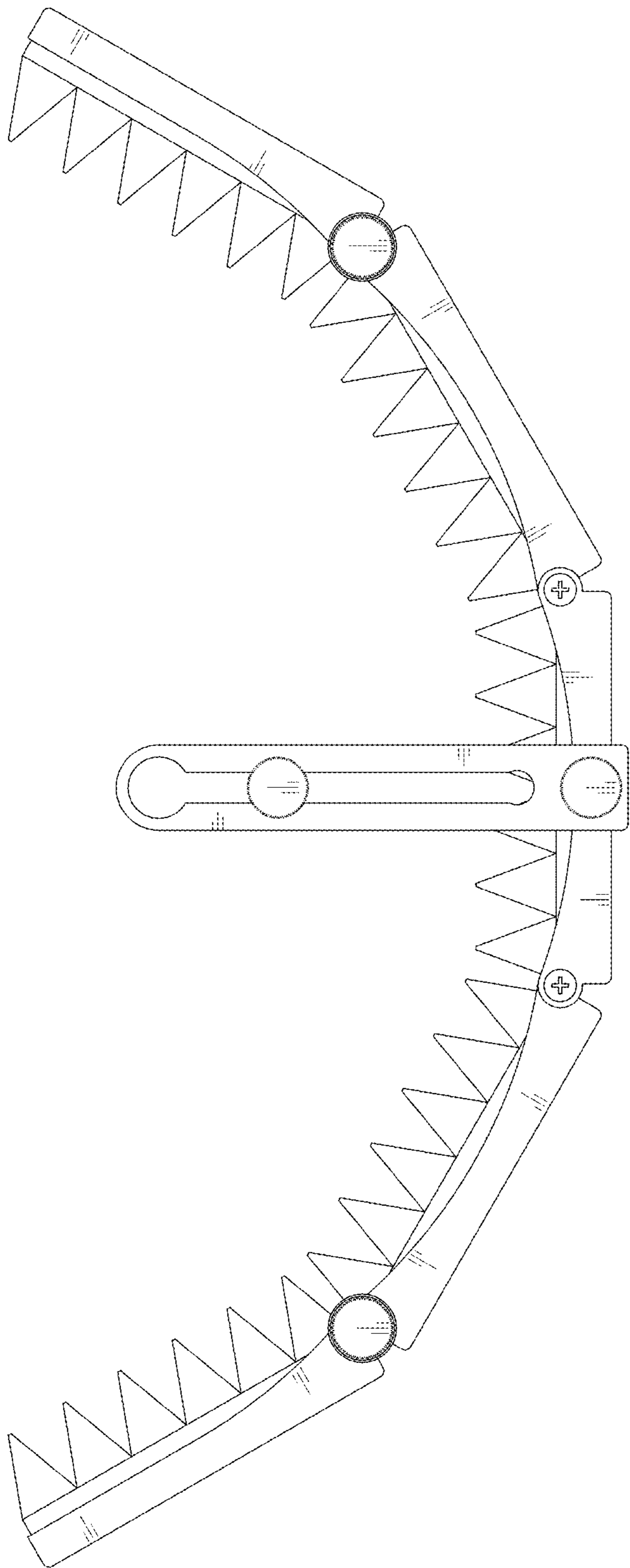


FIG. 8

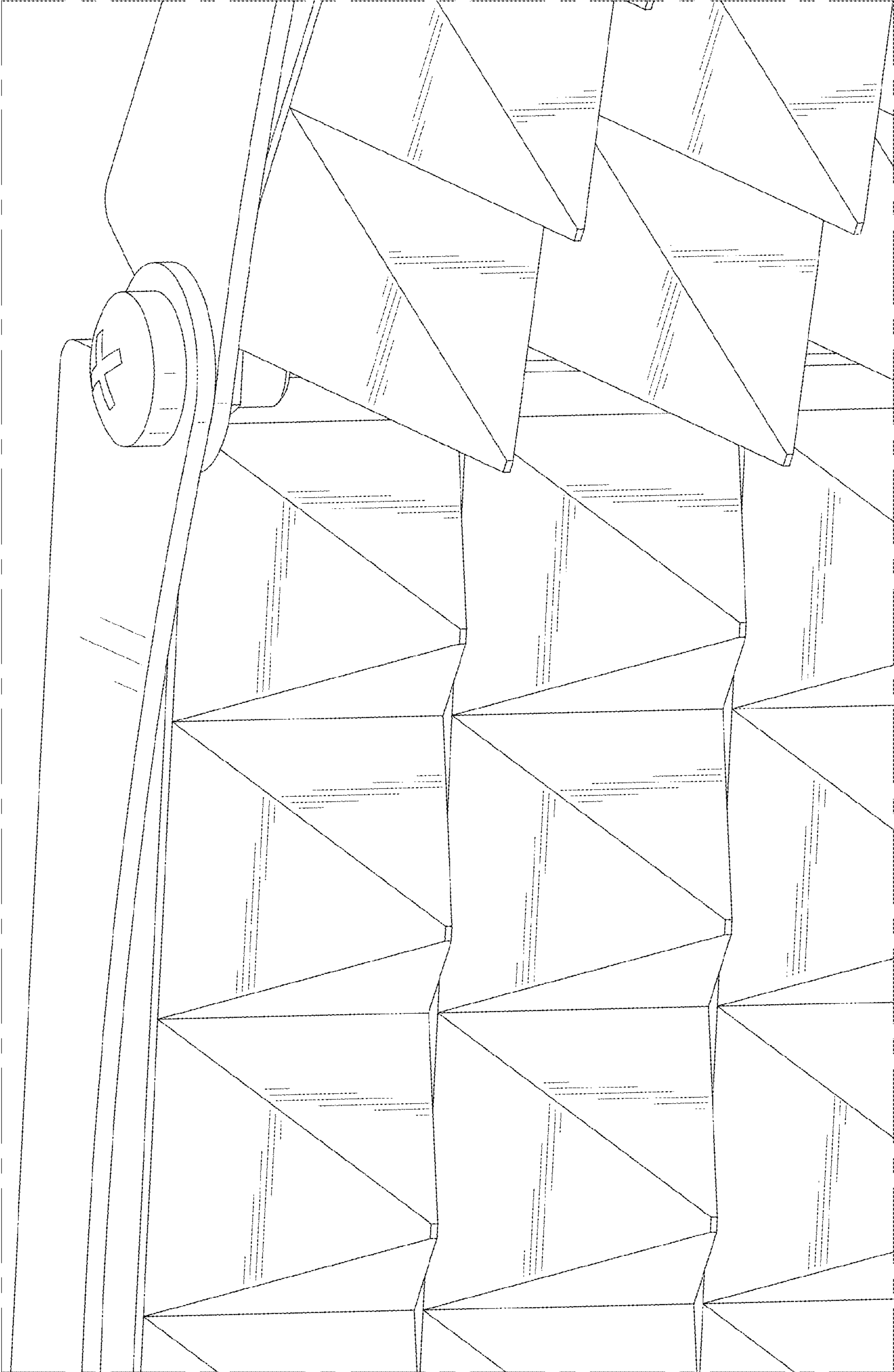


FIG. 9

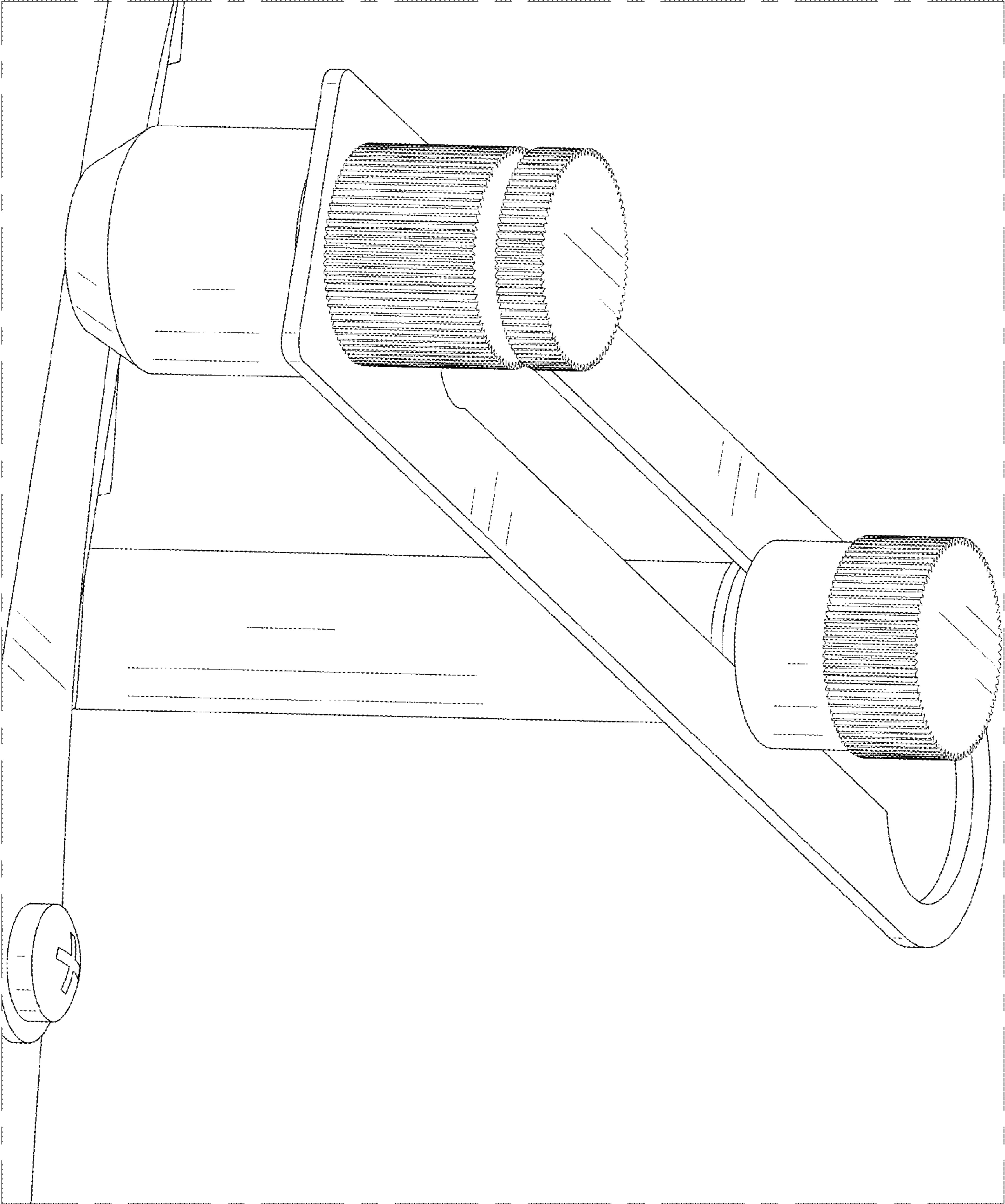


FIG. 10