



US00D947156S

(12) **United States Design Patent**
Prevoir et al.

(10) **Patent No.:** **US D947,156 S**
(45) **Date of Patent:** **** *Mar. 29, 2022**

(54) **EAR TIP**

FOREIGN PATENT DOCUMENTS

(71) Applicant: **Bose Corporation**, Framingham, MA (US)
(72) Inventors: **Shawn J. Prevoir**, Northborough, MA (US); **Thomas J. Peters, Jr.**, Sudbury, MA (US); **Liam Kelly**, Dorchester, MA (US); **Yang Liu**, Sudbury, MA (US); **Andrew D. Dominijanni**, Newton, MA (US); **Christopher Borradaile**, Framingham, MA (US); **Christian Trott**, Charleston, SC (US); **Binu K. Oommen**, Milford, MA (US)

EM 006598827-0001 * 6/2019
Primary Examiner — Paula Allen Greene
(74) *Attorney, Agent, or Firm* — Bose Corporation

(73) Assignee: **Bose Corporation**, Framingham, MA (US)

(57) **CLAIM**

The ornamental design for an ear tip, substantially as shown and described.

(*) Notice: This patent is subject to a terminal disclaimer.

(**) Term: **15 Years**

DESCRIPTION

(21) Appl. No.: **29/714,342**

(22) Filed: **Nov. 22, 2019**

(51) **LOC (13) Cl.** **14-01**

(52) **U.S. Cl.**
USPC **D14/223**

(58) **Field of Classification Search**
USPC D14/223, 205; D24/174; 128/864, 865, 128/866; 381/380, 381, 328, 322; 455/90.3, 575.1, 569.1

(Continued)

FIG. 1 is a perspective view of an ear tip for the right ear of a user, as seen from the front, top, and left side, "left" being from the observer's point of view;
FIG. 2 is front view thereof;
FIG. 3 is a right side view thereof;
FIG. 4 is a back view thereof;
FIG. 5 is a left side view thereof;
FIG. 6 is a top end view thereof;
FIG. 7 is a bottom end view thereof;
FIG. 8 is a perspective view of a second implementation of an ear tip, for the left ear of a user, as seen from the front, top, and right side;
FIG. 9 is front view thereof;
FIG. 10 is a right side view thereof;
FIG. 11 is a back view thereof;
FIG. 12 is a left side view thereof;
FIG. 13 is a top end view thereof; and,
FIG. 14 is a bottom end view thereof.

The ornamental design is shown on one ear tip, for the right ear of a user, in FIGS. 1 through 7 A mirror-image of the design would be used for an ear tip for the left ear, as shown in FIGS. 8 through 14.

In the drawings the claimed design is defined by surface boundaries as illustrated by solid connected line portions and surface contours as illustrated by unconnected line portions. The dotted line portions of the drawings represent environmental structure only and do not form part of the claimed design.

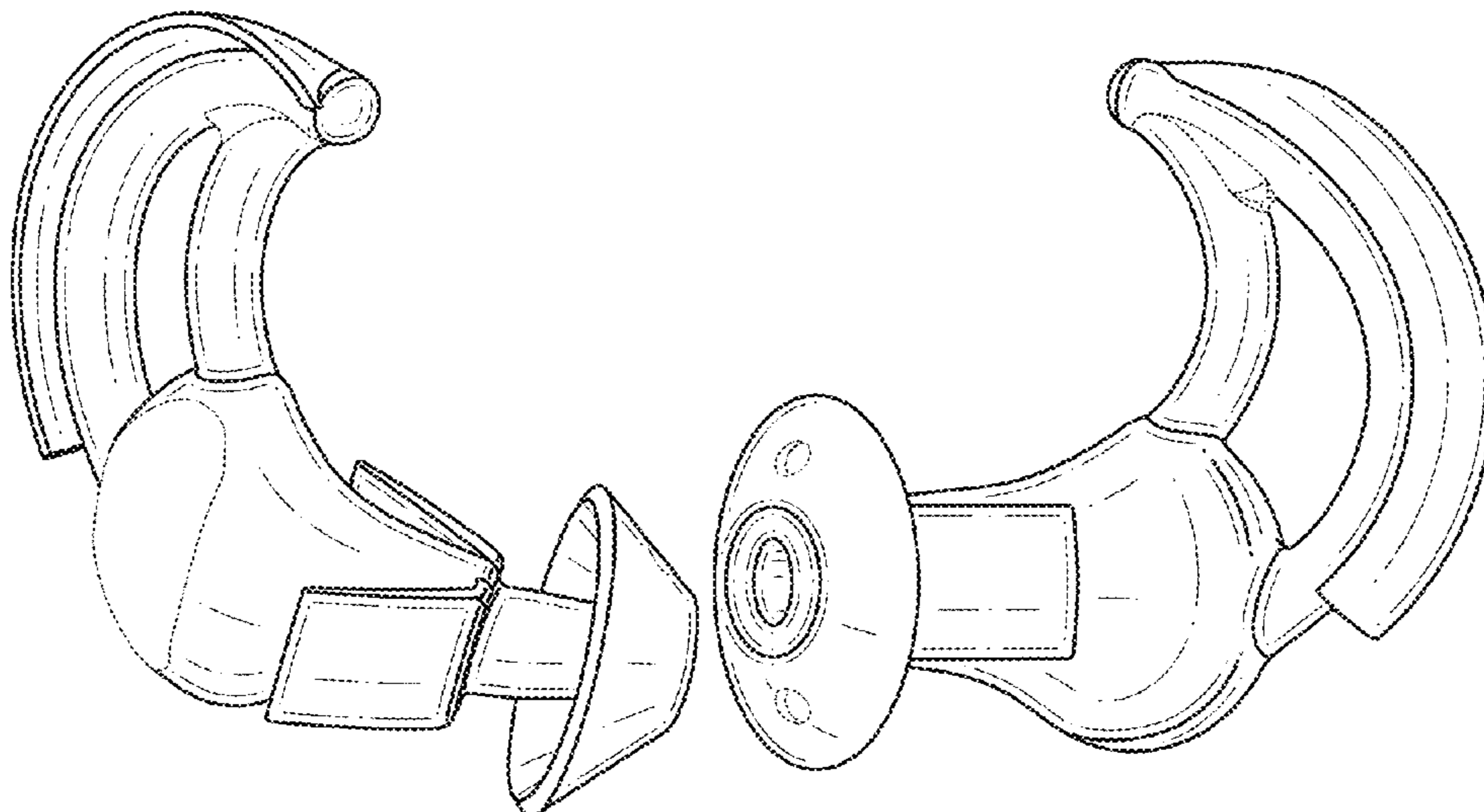
(56) **References Cited**

U.S. PATENT DOCUMENTS

2,430,229 A * 11/1947 Kelsey H04R 25/656
381/338
2,763,334 A * 9/1956 Starkey H04R 25/652
181/135

(Continued)

1 Claim, 4 Drawing Sheets



(58) **Field of Classification Search**
 CPC H04R 1/1016; H04R 1/1066; H04R 1/10;
 H04R 25/00; H04R 25/02; H04R 1/105;
 H04R 1/1083; A61F 11/002; A61F 11/00
 See application file for complete search history.

(56) **References Cited**

U.S. PATENT DOCUMENTS

4,122,841 A * 10/1978 Rock A61B 5/12
 128/864
 D259,279 S * 5/1981 Takeda D24/106
 4,375,016 A * 2/1983 Harada H04R 25/656
 181/135
 D272,946 S * 3/1984 Scanlon D24/106
 5,748,743 A * 5/1998 Weeks H04R 25/656
 381/328
 D407,985 S * 4/1999 Pimentel D10/104.2
 D469,755 S * 2/2003 Hlas D14/223
 7,113,611 B2 * 9/2006 Leedom H04R 25/65
 381/322
 D529,901 S * 10/2006 Ohta D14/223
 D543,972 S * 6/2007 Taylor D14/223
 D554,627 S * 11/2007 Gondo D14/223
 D559,837 S * 1/2008 Nakano D14/223
 D574,814 S * 8/2008 Hammond D14/205
 7,681,577 B2 * 3/2010 Blanchard A61F 11/08
 128/864
 D618,209 S * 6/2010 Andre D14/205
 D624,901 S * 10/2010 Blanchard D14/205
 D641,737 S * 7/2011 Krauss D14/223
 7,986,803 B1 * 7/2011 DeKalb H04R 1/1066
 381/380
 D645,458 S * 9/2011 Silvestri H04R 1/10
 D14/223
 D654,172 S * 2/2012 Naumann D24/174
 D655,693 S * 3/2012 Silvestri D14/223
 8,311,253 B2 * 11/2012 Silvestri H04R 1/105
 381/328
 8,391,533 B2 * 3/2013 Sim H04R 1/1041
 381/380
 D685,761 S * 7/2013 Fletcher D14/205
 D687,410 S * 8/2013 Fletcher D14/205
 D694,220 S * 11/2013 Lee D14/223
 D705,757 S * 5/2014 Yashiro H04R 1/10
 D14/223
 D740,255 S * 10/2015 Samrelius D14/206
 D744,456 S * 12/2015 Pedersen D14/223
 D763,324 S * 8/2016 Fitzhugh D15/21

D764,436 S * 8/2016 Dryden D14/205
 D770,426 S * 11/2016 LaBerge H04R 1/1058
 D14/223
 D773,437 S * 12/2016 Lee D14/223
 D773,439 S * 12/2016 Walker D14/223
 D777,148 S * 1/2017 Samrelius D14/223
 D779,461 S * 2/2017 Smith D14/223
 D780,157 S * 2/2017 Uggla D14/205
 D786,216 S * 5/2017 Silva D14/205
 D786,834 S * 5/2017 Samrelius D14/223
 D788,079 S * 5/2017 Son D14/223
 D795,725 S * 8/2017 Katsumoto D10/81
 D796,473 S * 9/2017 Kim D14/205
 D806,879 S * 1/2018 Horbinski D24/174
 D814,443 S * 4/2018 Sandanger H04R 1/10
 D14/223
 D816,637 S * 5/2018 Hardi D14/205
 D822,646 S * 7/2018 Dang D14/223
 D828,825 S * 9/2018 Samrelius D14/223
 D828,826 S * 9/2018 Schaal D14/223
 D835,077 S * 12/2018 Aoyagi D14/223
 D843,352 S * 3/2019 Lee D14/223
 D847,116 S * 4/2019 Silva D14/205
 D863,261 S * 10/2019 Zhu D14/223
 D864,919 S * 10/2019 Bonahoom D14/223
 D870,708 S * 12/2019 Lindenberger D14/223
 D872,061 S * 1/2020 Cui D14/223
 D875,719 S * 2/2020 Wen D14/223
 D876,399 S * 2/2020 Duddy D14/223
 10,701,471 B1 * 6/2020 Hanson C09K 5/063
 D894,874 S * 9/2020 Fustino D14/223
 D897,995 S * 10/2020 Duddy D14/223
 10,835,145 B1 * 11/2020 Prevoir H04R 1/1016
 D920,289 S * 5/2021 Schaal D14/223
 D920,290 S * 5/2021 Schaal D14/223
 2009/0099573 A1 * 4/2009 Gonzales A61F 11/002
 606/108
 2015/0256921 A1 * 9/2015 Martin H04R 1/1016
 381/380
 2017/0094347 A1 * 3/2017 Maughan H04N 21/4532
 2017/0311069 A1 * 10/2017 Prevoir B29C 35/12
 2018/0376236 A1 * 12/2018 Prevoir H04R 1/1091
 2019/0007761 A1 * 1/2019 Higgins H04R 25/652
 2019/0231197 A1 * 8/2019 Kirszenblat A61B 5/7278
 2020/0077173 A1 * 3/2020 Wexler H04R 1/1083
 2020/0204896 A1 * 6/2020 Hanson H04R 1/1066
 2020/0221201 A1 * 7/2020 Zalisk H04R 9/063
 2021/0029437 A1 * 1/2021 Tseng H04R 25/656
 2021/0069490 A1 * 3/2021 Hanson A61N 1/0472
 2021/0144462 A1 * 5/2021 Kim H04R 1/2823

* cited by examiner

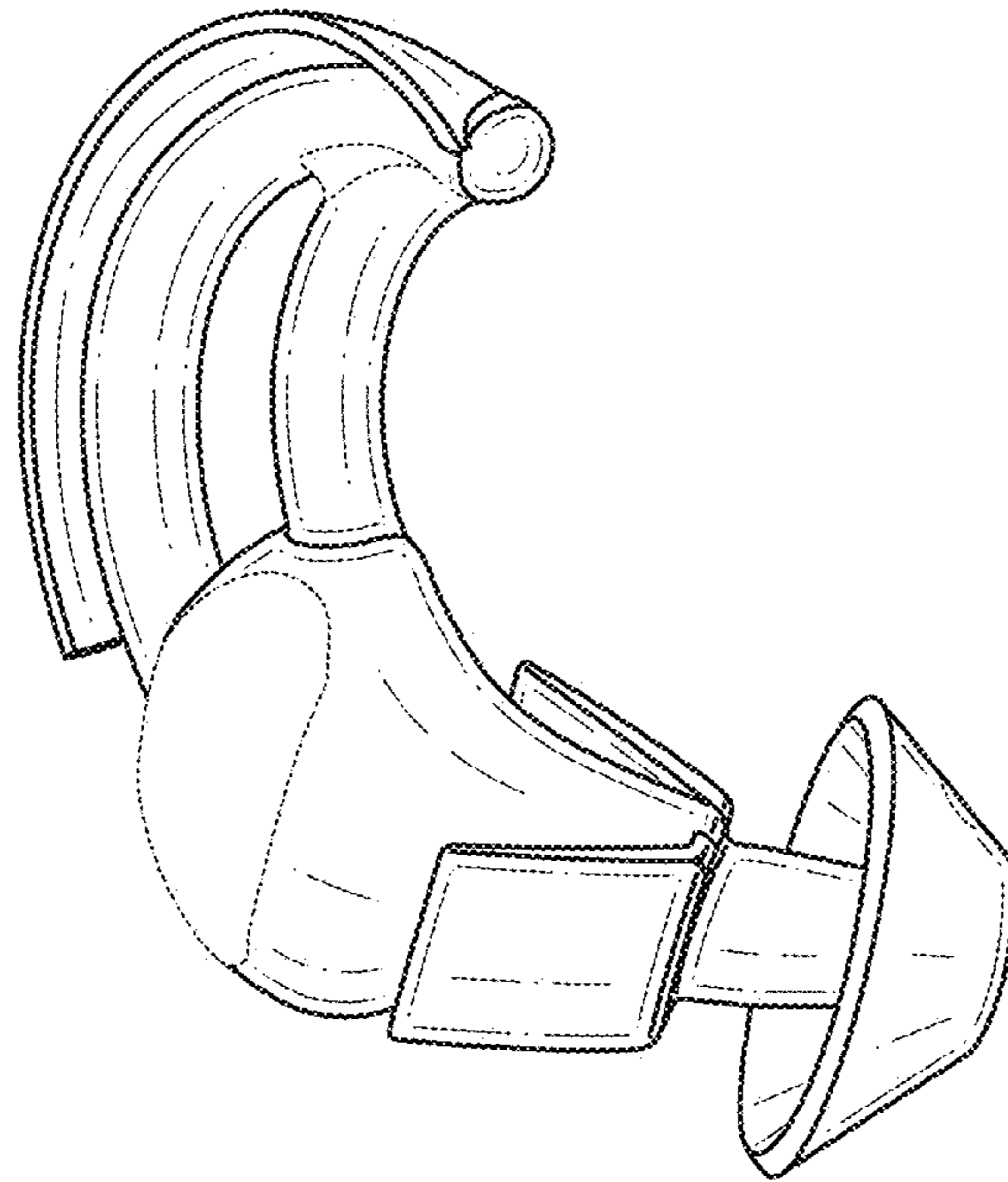


FIG. 1

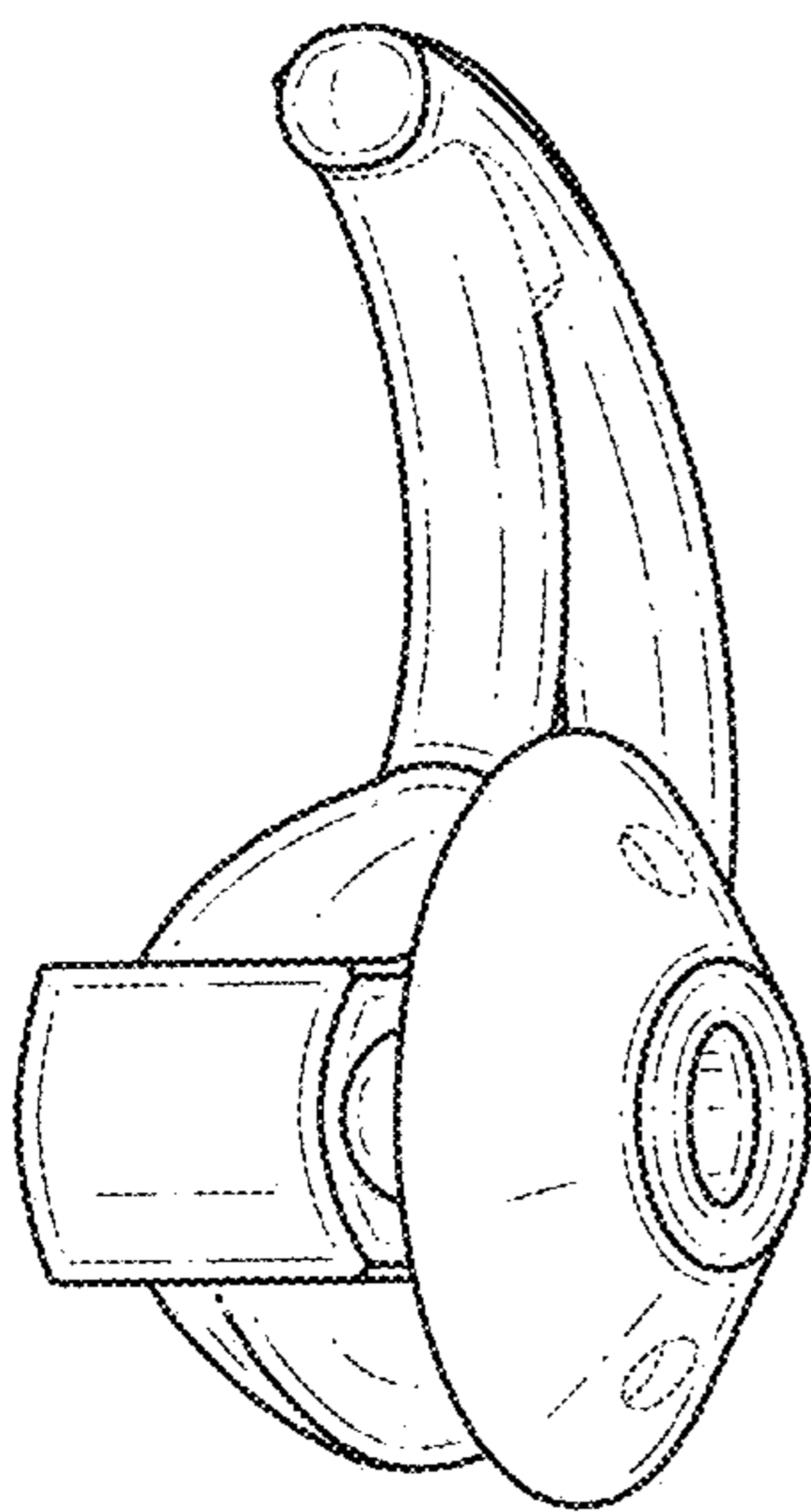


FIG. 2

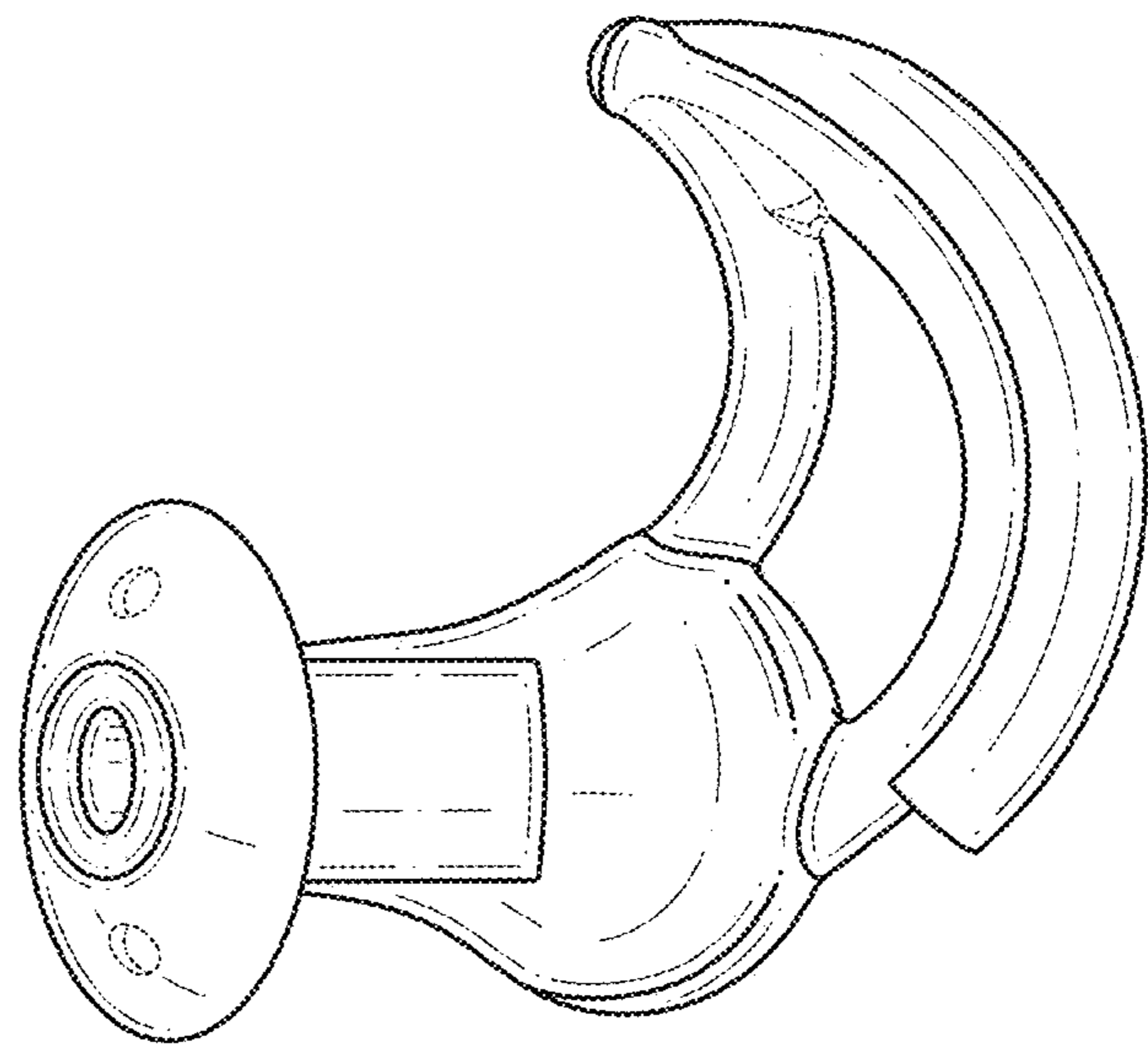


FIG. 3

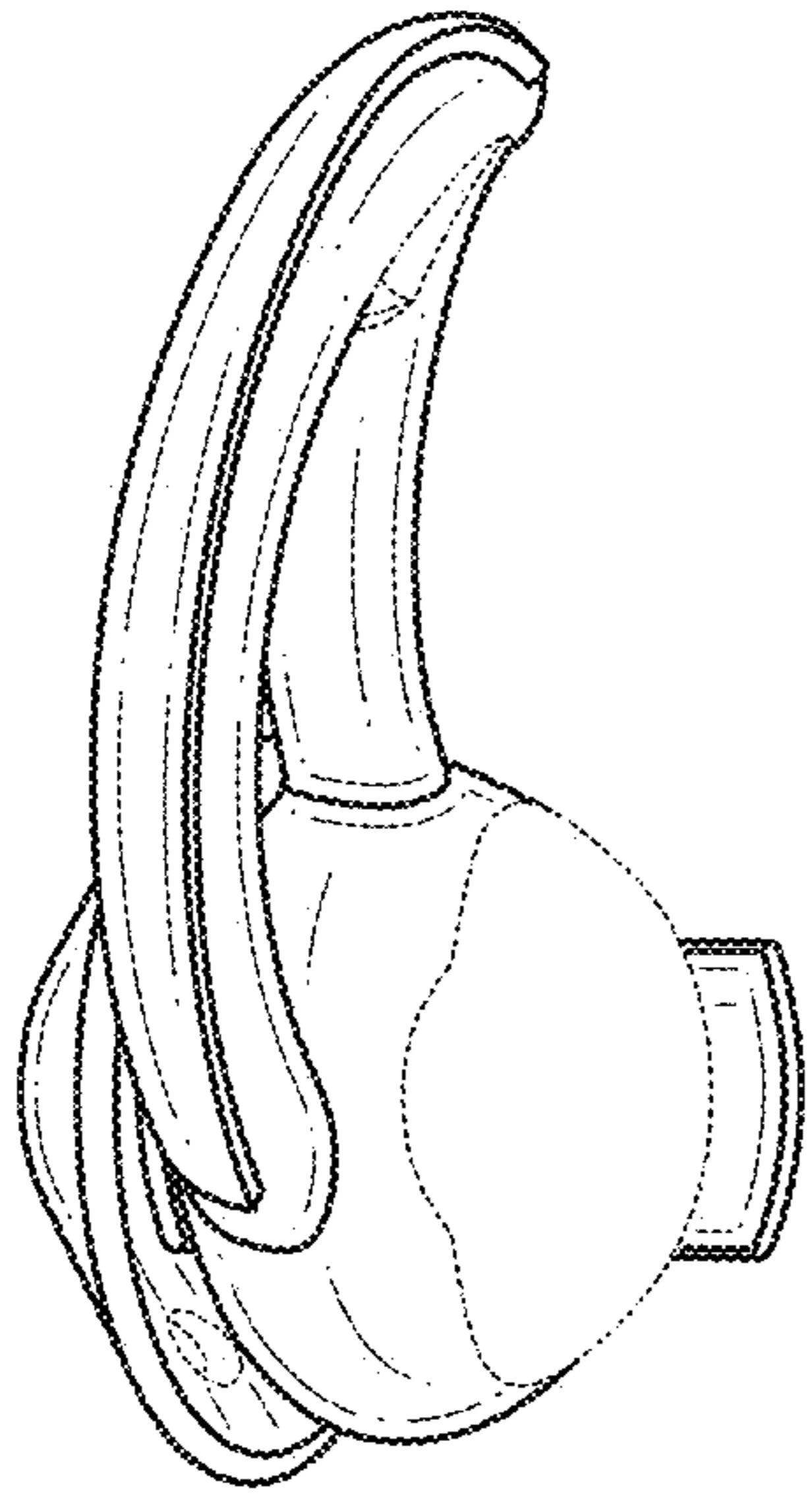


FIG. 4

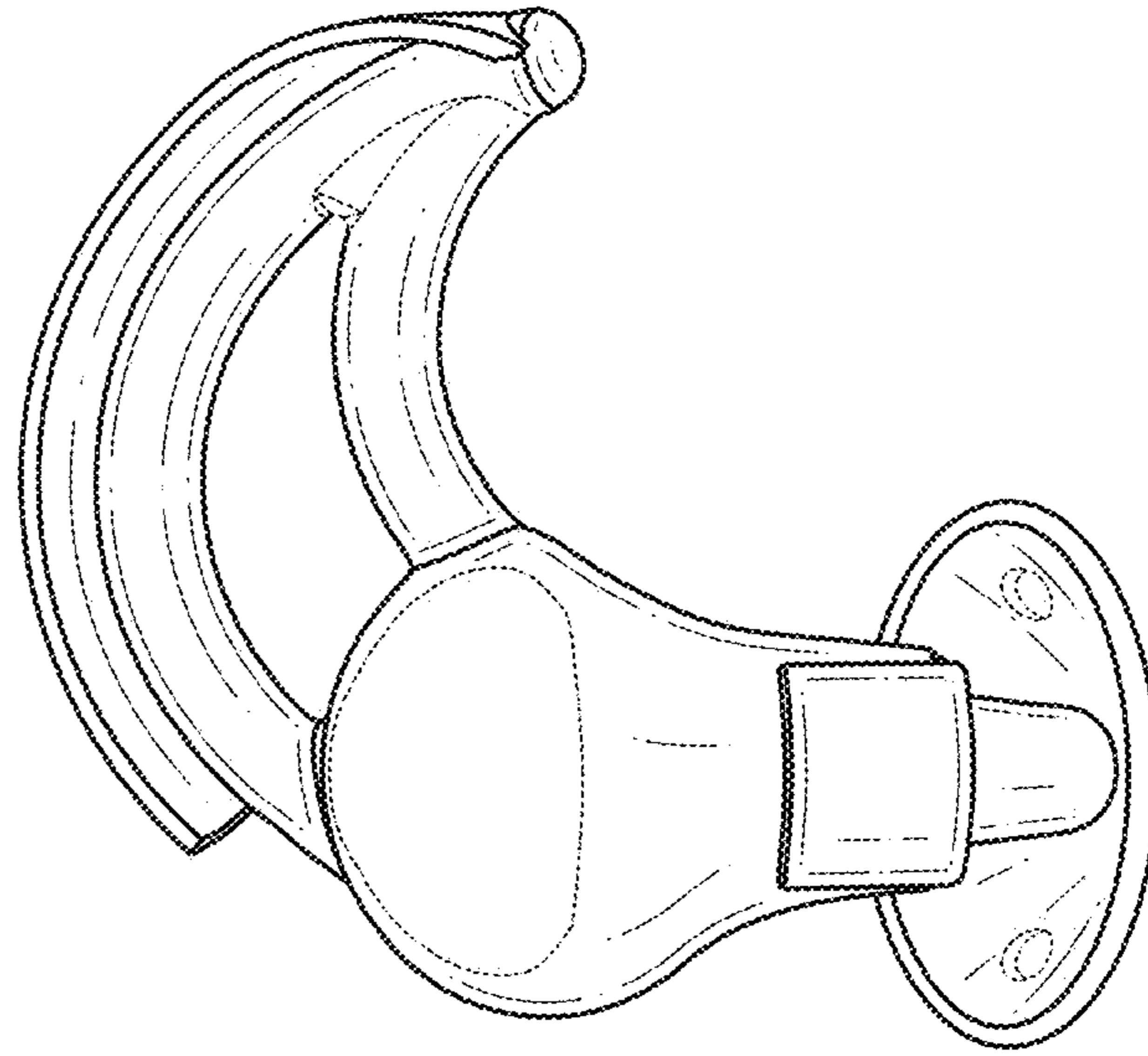


FIG. 5

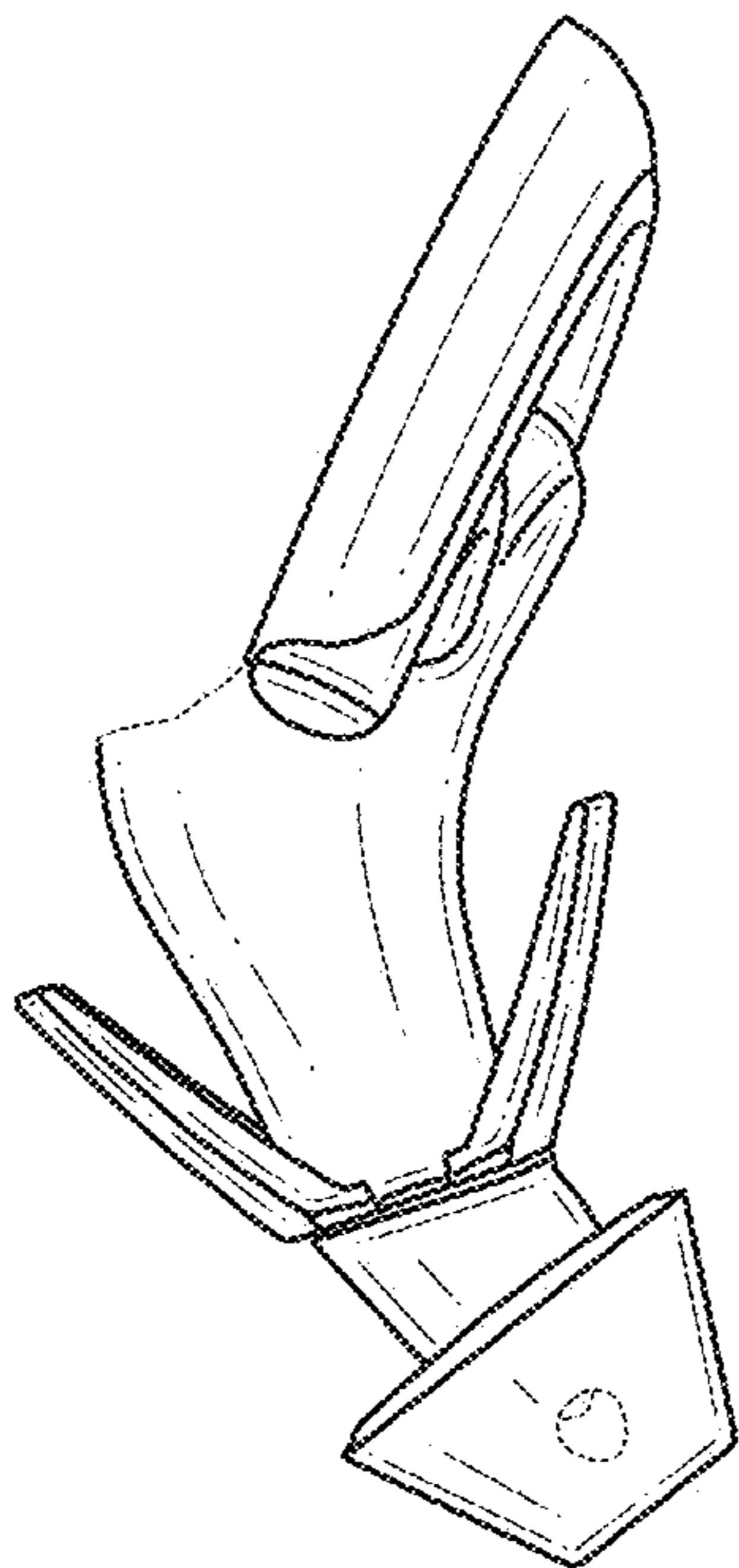


FIG. 6

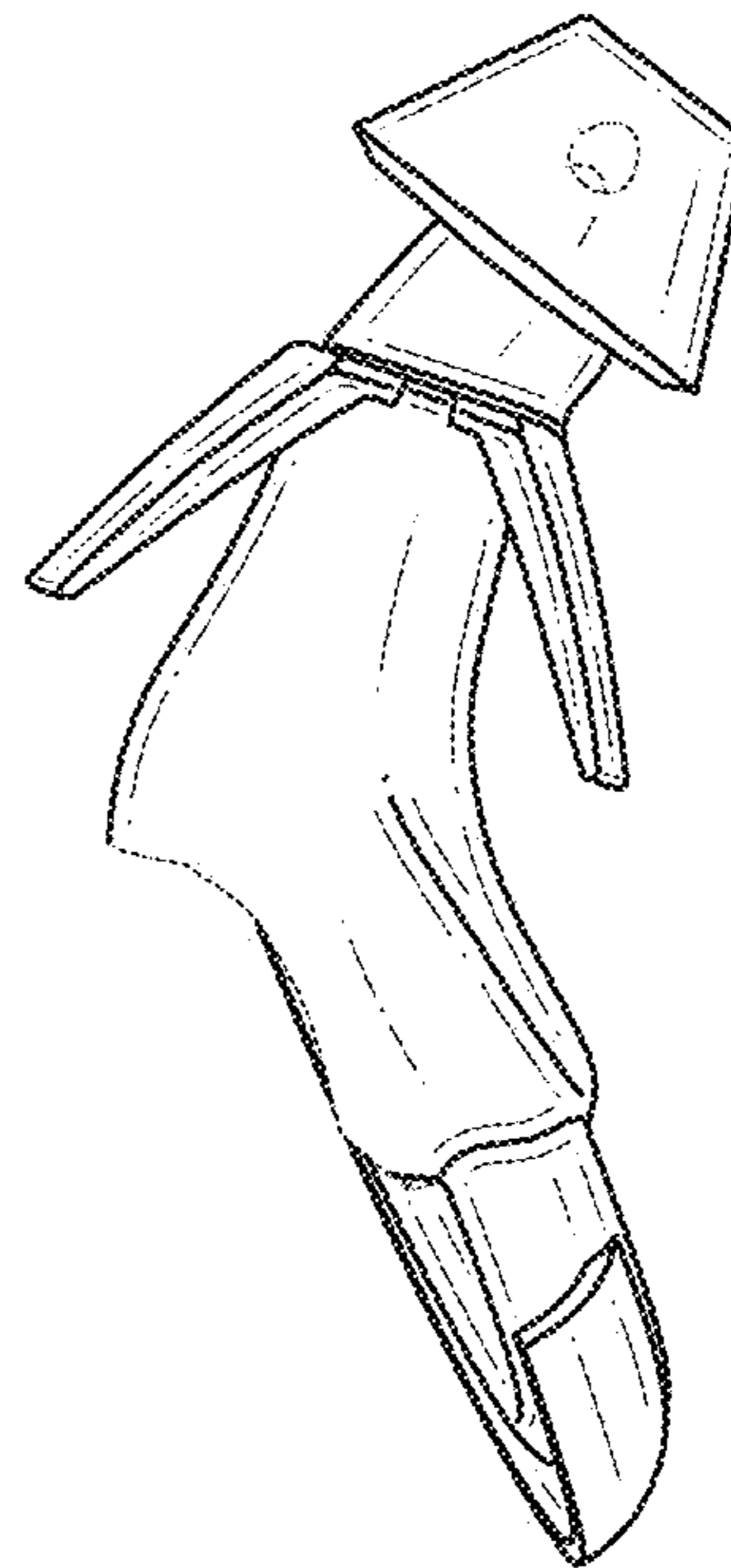


FIG. 7

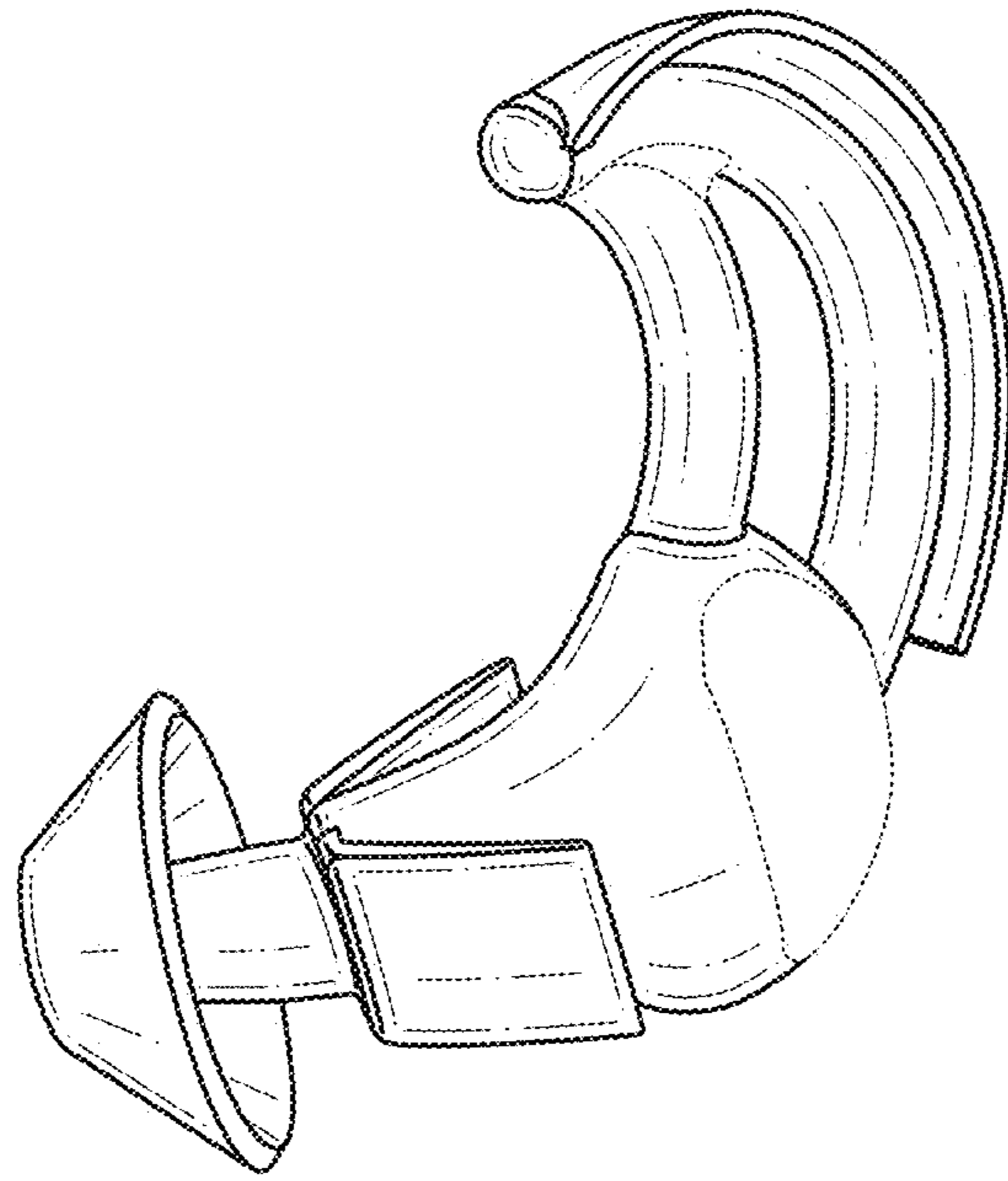


FIG. 8

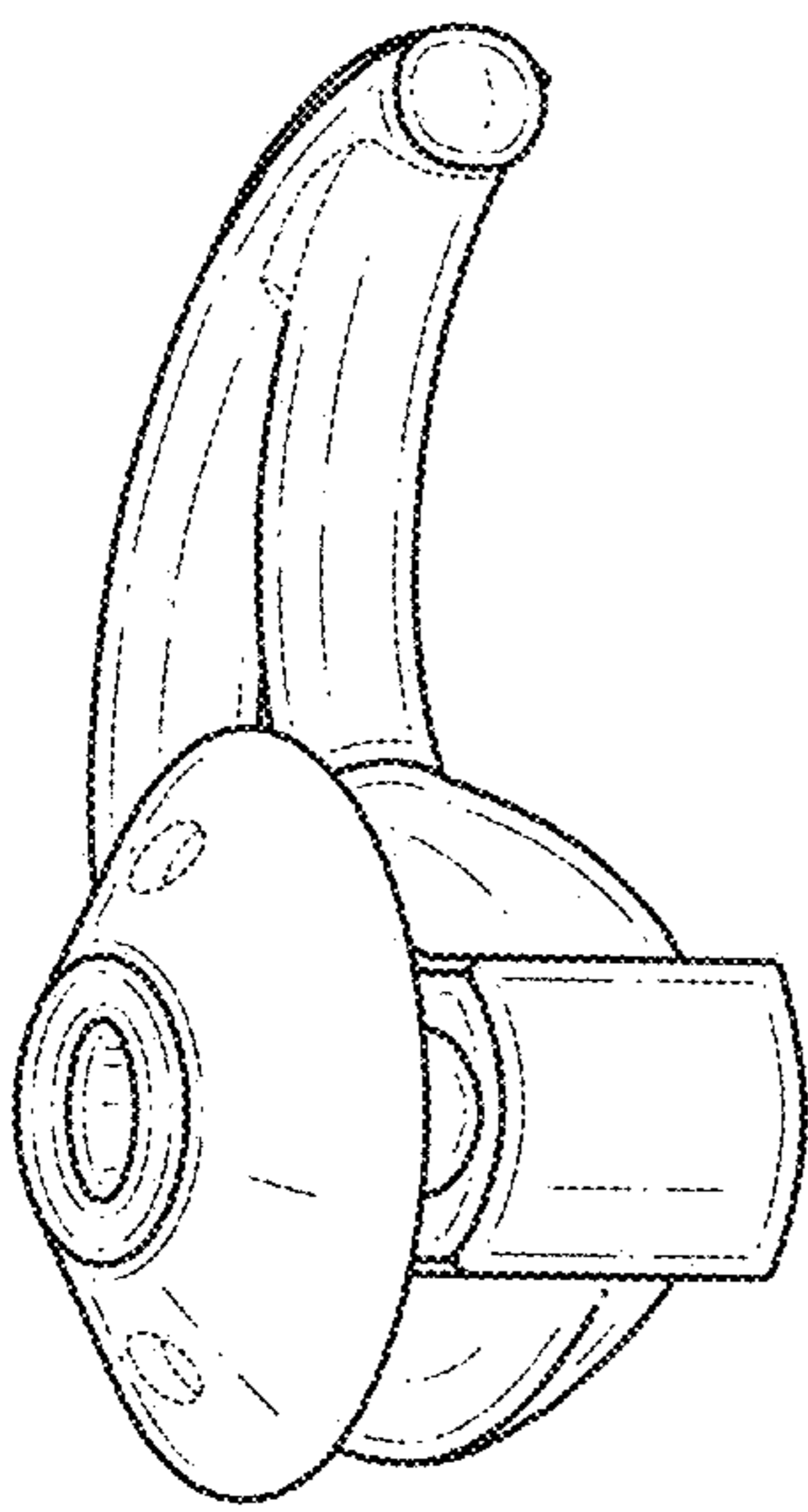


FIG. 9

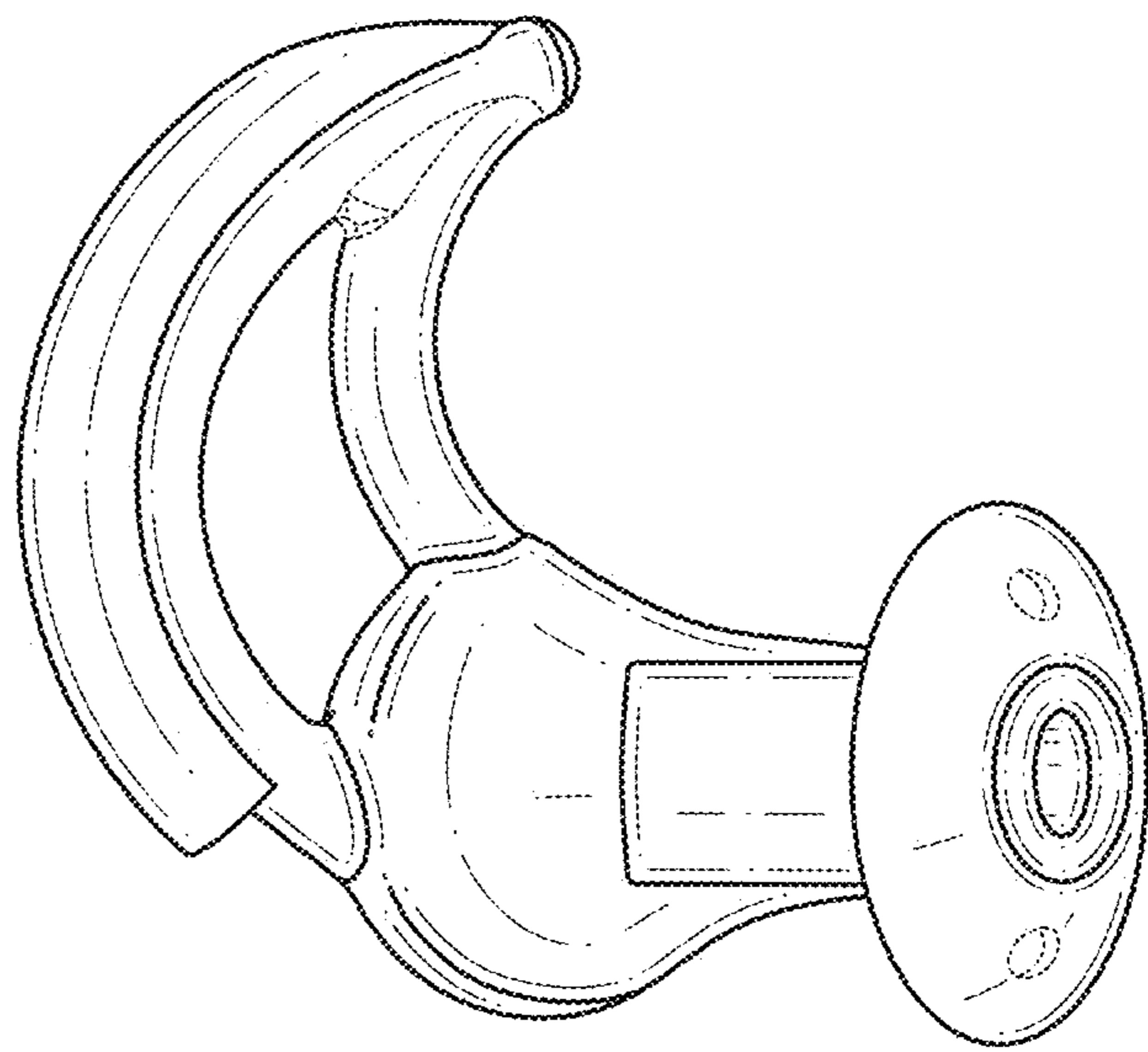


FIG. 10

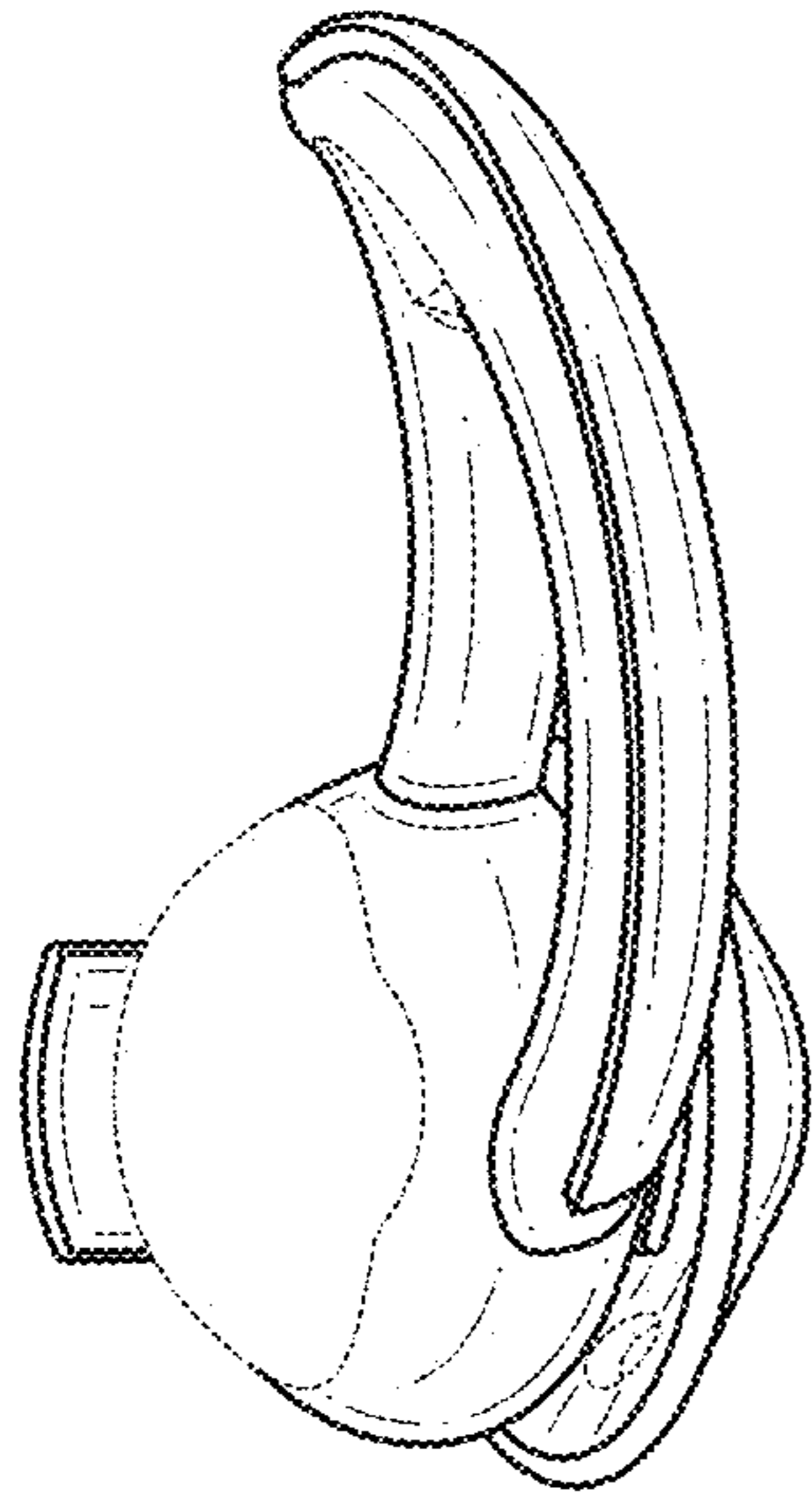


FIG. 11

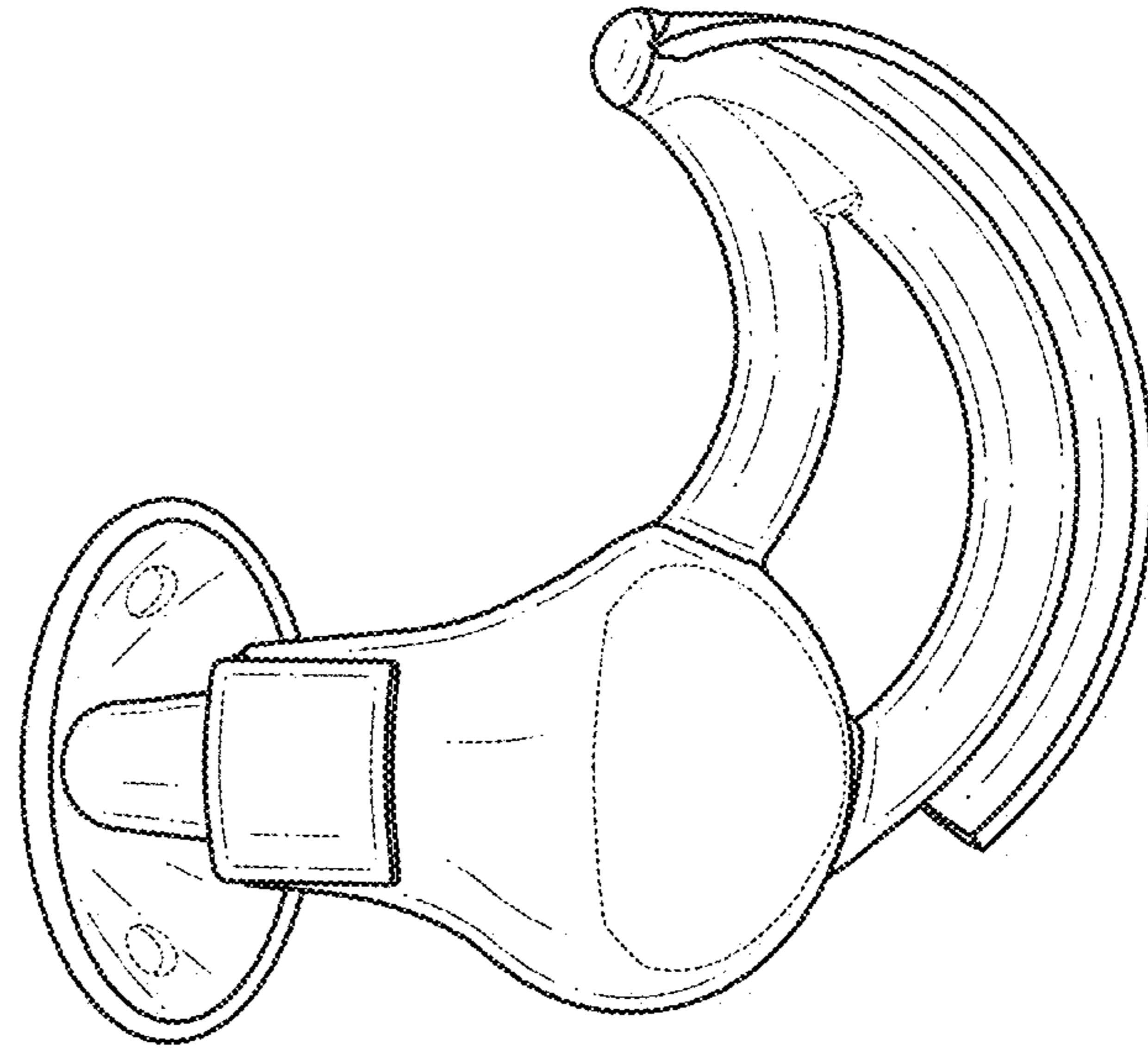


FIG. 12

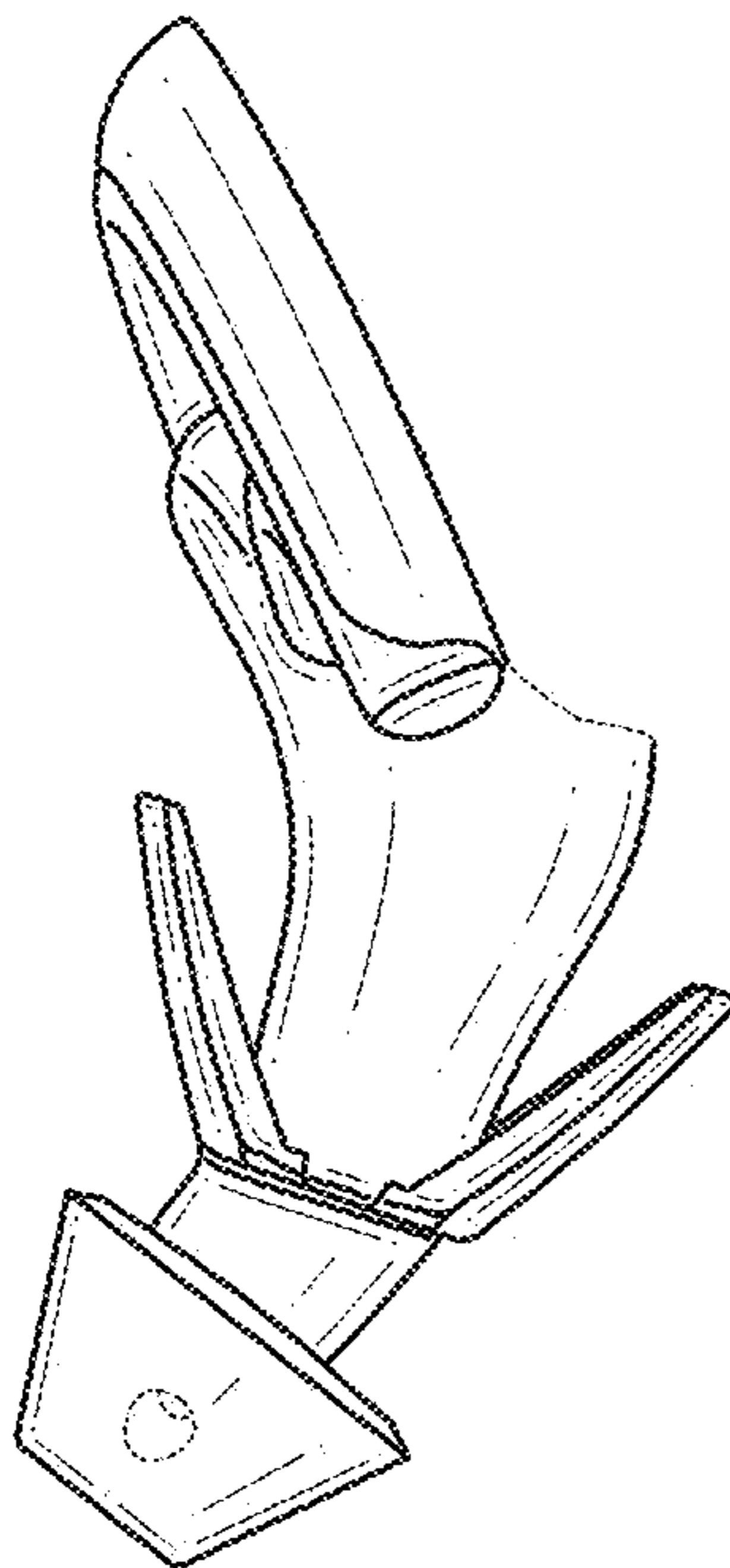


FIG. 13

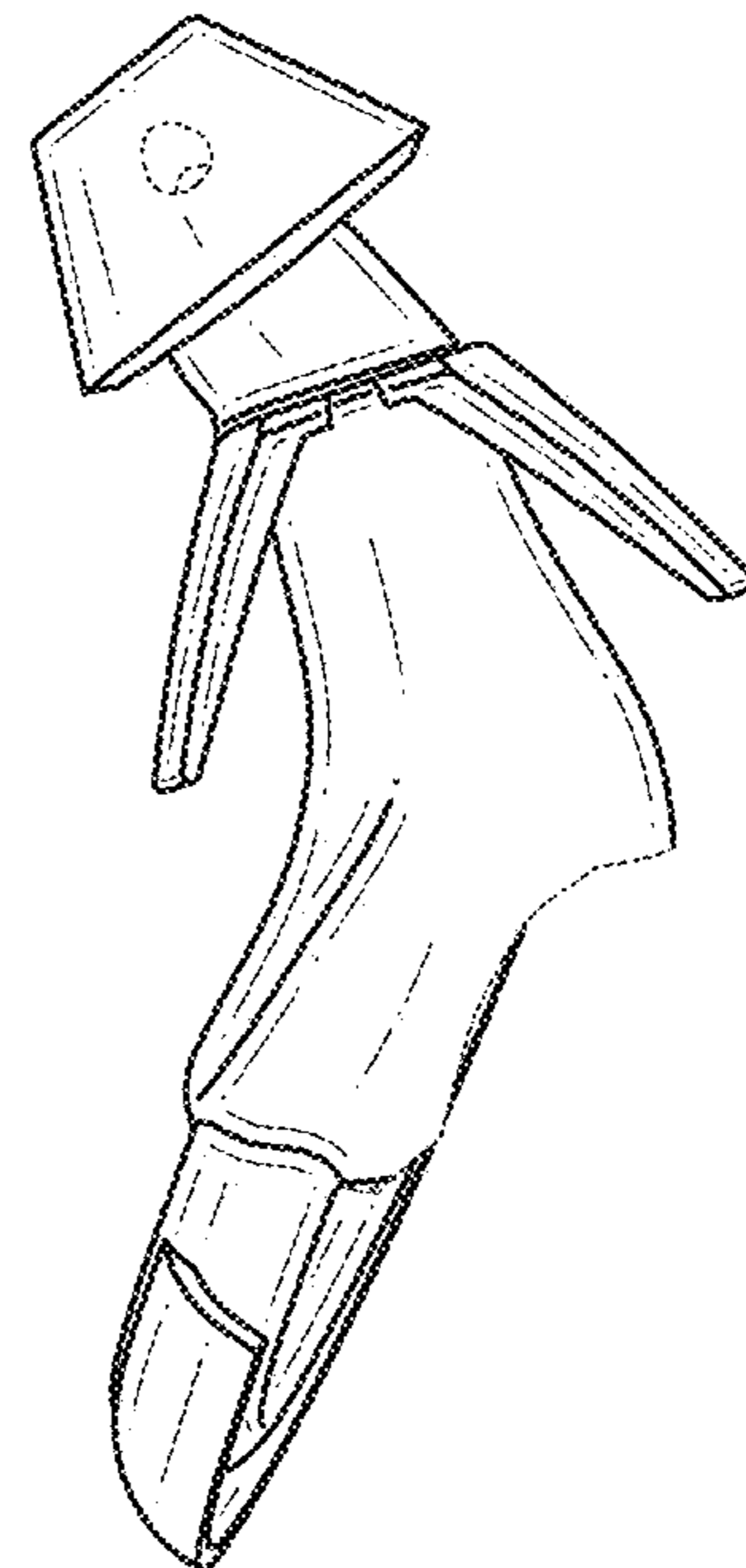


FIG. 14