



US00D947154S

(12) **United States Design Patent**  
**Kuramoto**

(10) **Patent No.:** **US D947,154 S**  
(45) **Date of Patent:** **\*\* Mar. 29, 2022**

(54) **DIGITAL AUDIO PLAYER**

(71) Applicant: **AlphaTheta Corporation**, Yokohama (JP)

(72) Inventor: **Takahiro Kuramoto**, Yokohama (JP)

(73) Assignee: **ALPHATHETA CORPORATION**, Yokohama (JP)

(\*\*) Term: **15 Years**

(21) Appl. No.: **29/709,497**

(22) Filed: **Oct. 15, 2019**

(30) **Foreign Application Priority Data**

Jul. 23, 2019 (JP) ..... 2019-016480

(51) **LOC (13) Cl.** ..... **14-01**

(52) **U.S. Cl.**

USPC ..... **D14/217**

(58) **Field of Classification Search**

USPC ..... D14/217, 257, 258, 434, 496, 162, 167, D14/175, 188, 196, 197, 198

CPC ..... G10H 1/0066; G10H 1/0008; G10H 1/32; G10H 1/38; G10H 1/0091; G10H 1/34; G10H 1/348; G10H 1/02; G10H 1/46; G10H 1/0025; G10H 1/0058; G10H 1/00; G10H 1/28; G10H 1/342; G10H 1/36; G10H 1/383; G10H 1/0033; G10H 1/0083; G10H 1/0575; G10H 1/06; G10H 1/18; G10H 1/386; G10H 2220/106; G10H 2220/096; G10H 2220/201; G10H 2220/241; G10H 2220/101; G10H 2230/015; G10H 2230/021; G10H 2210/125; G10H 2210/006; G10H 2210/081; G10H 2210/095; G10H 2240/211; G10H 7/008; G10H 7/02; G10H 7/00; G10H 3/146; G10H 3/188

See application file for complete search history.

(56) **References Cited**

U.S. PATENT DOCUMENTS

D605,604 S \* 12/2009 El-Kiss ..... D13/163  
D615,555 S \* 5/2010 Ho ..... D14/496  
D615,993 S \* 5/2010 Ho ..... D14/496  
D665,778 S 8/2012 Langlois

(Continued)

FOREIGN PATENT DOCUMENTS

EP 004132744-0002 9/2017  
JP 1534925 10/2015

(Continued)

OTHER PUBLICATIONS

Tribe XR partners with AlphaTheta Corporation to bring Pioneer DJ to virtual reality, announced Apr. 19, 2021 [online], retrieved Sep. 22, 2021, retrieved from internet, <https://www.ispmusica.com/english/3742-tribe-xr-partners-with-alphatheta-corporation-to-bring-pioneer-dj-to-virtual-reality.html>.\*

(Continued)

*Primary Examiner* — Dana K Weiland  
*Assistant Examiner* — Messina L Smith  
(74) *Attorney, Agent, or Firm* — Rankin, Hill & Clark LLP

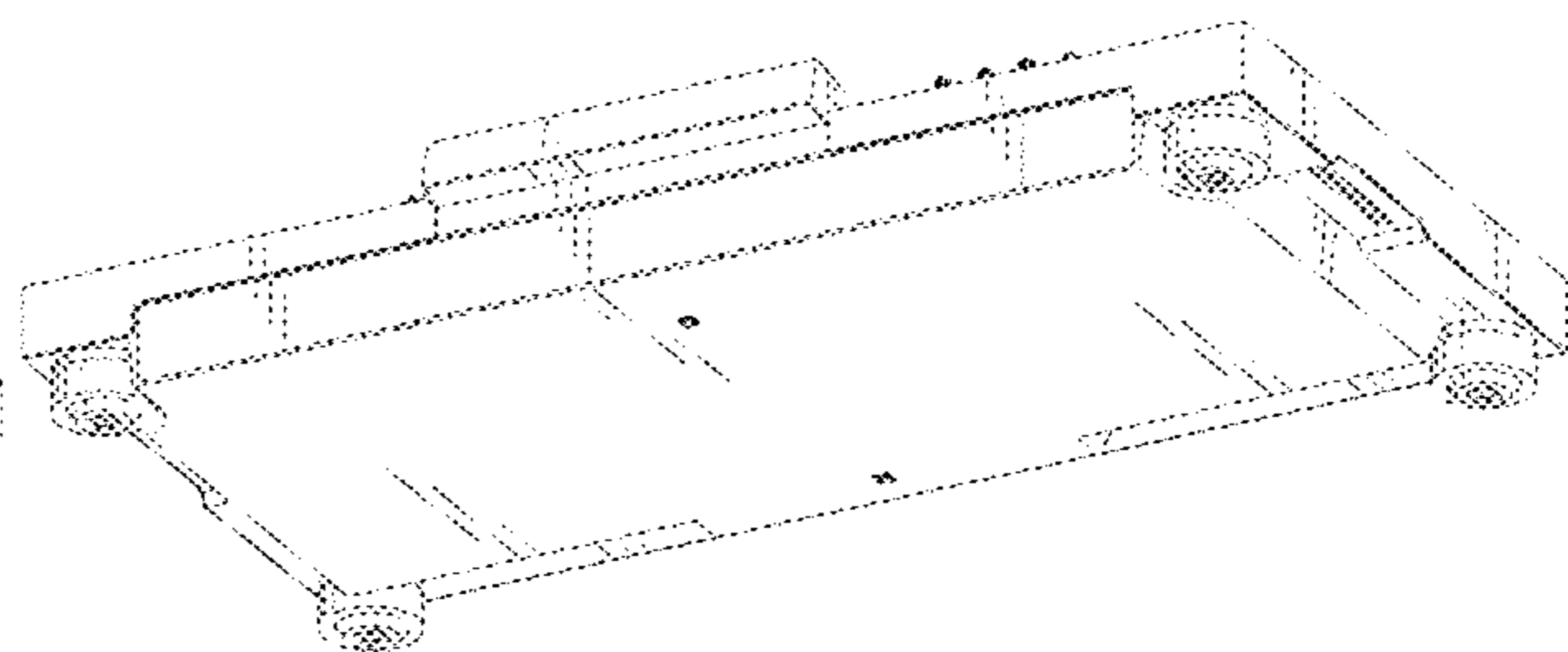
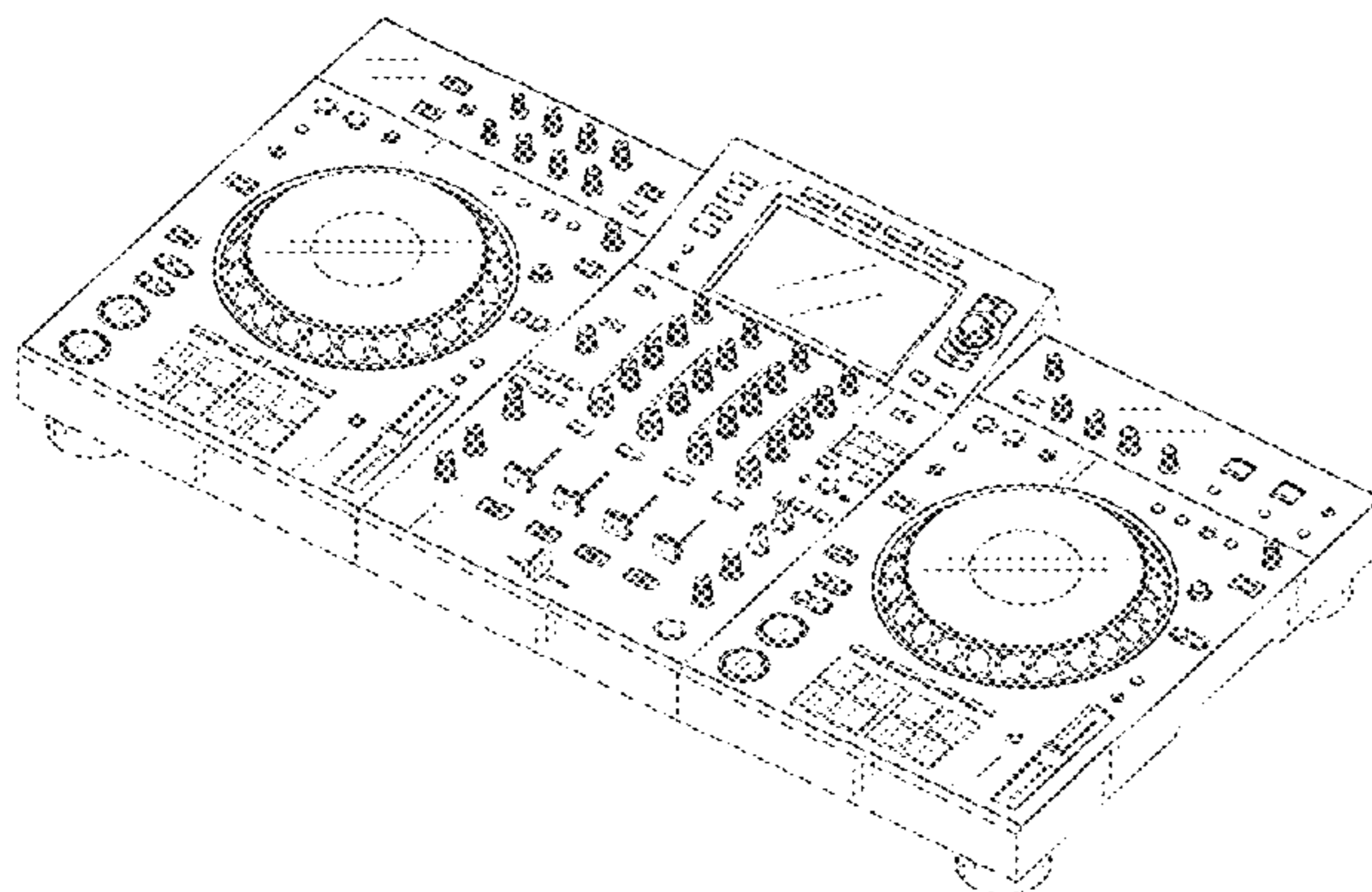
(57) **CLAIM**

The ornamental design for a digital audio player, as shown and described.

**DESCRIPTION**

FIG. 1 is an upper-right-front perspective view showing a digital audio player showing the design.  
FIG. 2 is lower-left-rear perspective view thereof.  
FIG. 3 is a front view thereof.  
FIG. 4 is a rear view thereof.  
FIG. 5 is a left-side view thereof.  
FIG. 6 is a right-side view thereof.  
FIG. 7 is a top view thereof; and,  
FIG. 8 is bottom view thereof.

**1 Claim, 8 Drawing Sheets**



(56)

References Cited

U.S. PATENT DOCUMENTS

D666,172 S \* 8/2012 Iijima ..... D14/217  
 D666,173 S \* 8/2012 Iijima ..... D14/217  
 D678,249 S \* 3/2013 Kuramoto ..... D14/217  
 D678,250 S \* 3/2013 O'Donnell ..... D14/217  
 D689,486 S \* 9/2013 O'Donnell ..... D14/388  
 D715,263 S \* 10/2014 Kuramoto ..... D14/217  
 D715,264 S \* 10/2014 Iijima ..... D14/217  
 D715,265 S \* 10/2014 Kuramoto ..... D14/217  
 D715,771 S \* 10/2014 Funayama ..... D14/217  
 D721,675 S \* 1/2015 Hong ..... D14/217  
 D725,152 S \* 3/2015 Wong ..... D14/496  
 D765,058 S 8/2016 Matsubayashi  
 D765,619 S \* 9/2016 Kuramoto ..... D14/217  
 D765,620 S \* 9/2016 Kitamura ..... D14/217  
 D771,020 S \* 11/2016 O'Donnell ..... D14/217  
 D771,594 S \* 11/2016 Hong ..... D14/217  
 D778,263 S \* 2/2017 Martel ..... D14/217  
 D806,058 S \* 12/2017 Kimura ..... D14/217  
 D810,051 S \* 2/2018 Matsubayashi ..... D14/217  
 D813,842 S \* 3/2018 Kimura ..... D14/217  
 D828,334 S 9/2018 Kobayashi  
 D831,614 S 10/2018 Matsubayashi  
 D831,615 S \* 10/2018 Matsubayashi ..... D14/217  
 D846,528 S \* 4/2019 Kuramoto ..... D14/217  
 D866,522 S \* 11/2019 Kobayashi ..... D14/217  
 D872,056 S \* 1/2020 Akaishi ..... D14/217  
 D872,057 S \* 1/2020 Koh ..... D14/217  
 D905,013 S \* 12/2020 Kuramoto ..... D14/217  
 D910,597 S \* 2/2021 Akaishi ..... D14/217  
 11,119,724 B2 \* 9/2021 O'Donnell ..... H04H 60/04  
 2016/0050494 A1 \* 2/2016 McCorkle ..... G10H 1/00  
 381/334  
 2016/0189699 A1 \* 6/2016 Garet ..... G05G 1/015  
 382/119  
 2019/0377539 A1 \* 12/2019 O'Donnell ..... G10H 1/0008  
 2020/0334001 A1 \* 10/2020 O'Donnell ..... H04R 29/008  
 2020/0335075 A1 \* 10/2020 Takagi ..... G10H 1/0083  
 2021/0012759 A1 \* 1/2021 Onishi ..... G10H 1/053  
 2021/0074249 A1 \* 3/2021 Tanaka ..... G10H 1/40

FOREIGN PATENT DOCUMENTS

JP D1572646 \* 2/2017  
 JP 1572646 3/2017  
 JP D1605497 \* 5/2018

JP D1644940 \* 2/2019  
 JP D1684101 \* 4/2021  
 JP D1684102 \* 4/2021  
 KR 301086052.0000 \* 12/2020

OTHER PUBLICATIONS

Pioneer DJ XDJ-XZ Digital DJ System, announced Dec. 14, 2020 [online], retrieved Sep. 22, 2021, retrieved from internet, <https://www.sweetwater.com/store/detail/XDJXZ-pioneer-dj-xdj-xz-digital-dj-system>.\*

Review: Pioneer DJ XDJ-XZ, announced Apr. 7, 2021 [online], retrieved Sep. 22, 2021, retrieved from internet, <https://www.musictech.net/reviews/controllers/pioneer-dj-xdj-xz-review/>.\*

Pioneer XDJ-XZ All-In-One DJ System, announced Feb. 5, 2020 [online], retrieved Sep. 22, 2021, retrieved from internet, <https://store.djtechttools.com/products/pioneer-xdj-xz-all-in-one-dj-system>.\*

Denon Prime 4 Standalone DJ System, announced © 2021 [online], retrieved Sep. 22, 2021, retrieved from internet, [https://reverb.com/p/denon-prime-4-standalone-dj-system?hfid=40630479&utm\\_source=google&utm\\_medium=cpc&utm\\_campaign=12293041840&utm\\_content=campaignid=12293041840\\_adgroupid=117735251659\\_productpartitionid=1171618093831=merchantid=412418390\\_productid=40630479\\_keyword=\\_device=c\\_adposition=\\_matchtype=\\_creative=497277137736&gclid=CjwKCAjwhaaKBhBcEiwA8acsHALmrE4uZhidj747jcbLjDXTzRRFUmtgr7\\_3K3TY4LXWm3K-G8yQ4hoC8V4QAvD\\_BwE](https://reverb.com/p/denon-prime-4-standalone-dj-system?hfid=40630479&utm_source=google&utm_medium=cpc&utm_campaign=12293041840&utm_content=campaignid=12293041840_adgroupid=117735251659_productpartitionid=1171618093831=merchantid=412418390_productid=40630479_keyword=_device=c_adposition=_matchtype=_creative=497277137736&gclid=CjwKCAjwhaaKBhBcEiwA8acsHALmrE4uZhidj747jcbLjDXTzRRFUmtgr7_3K3TY4LXWm3K-G8yQ4hoC8V4QAvD_BwE).\*

Numark MixDeck Universal DJ System in Silver, no announcement date [online], retrieved Sep. 22, 2021, retrieved from internet, <https://www.guitarcenter.com/Numark/MixDeck-Universal-DJ-System-in-Silver.gc>.\*

Japanese Notice of Allowance dated Mar. 24, 2020, Application No. 2019-016480, 2 pages.

Pioneer Corporation, "XDJ-RX, an integrated player/mixer DJ system", Jan. 20, 2015, Web page (<http://pioneer.jp/corp/news/press/index/1876>); Partial English translation included, 14 pages.

Korean Office Action dated May 4, 2020, Application No. 30-2019-0047169; English translation included.

\* cited by examiner

FIG. 1

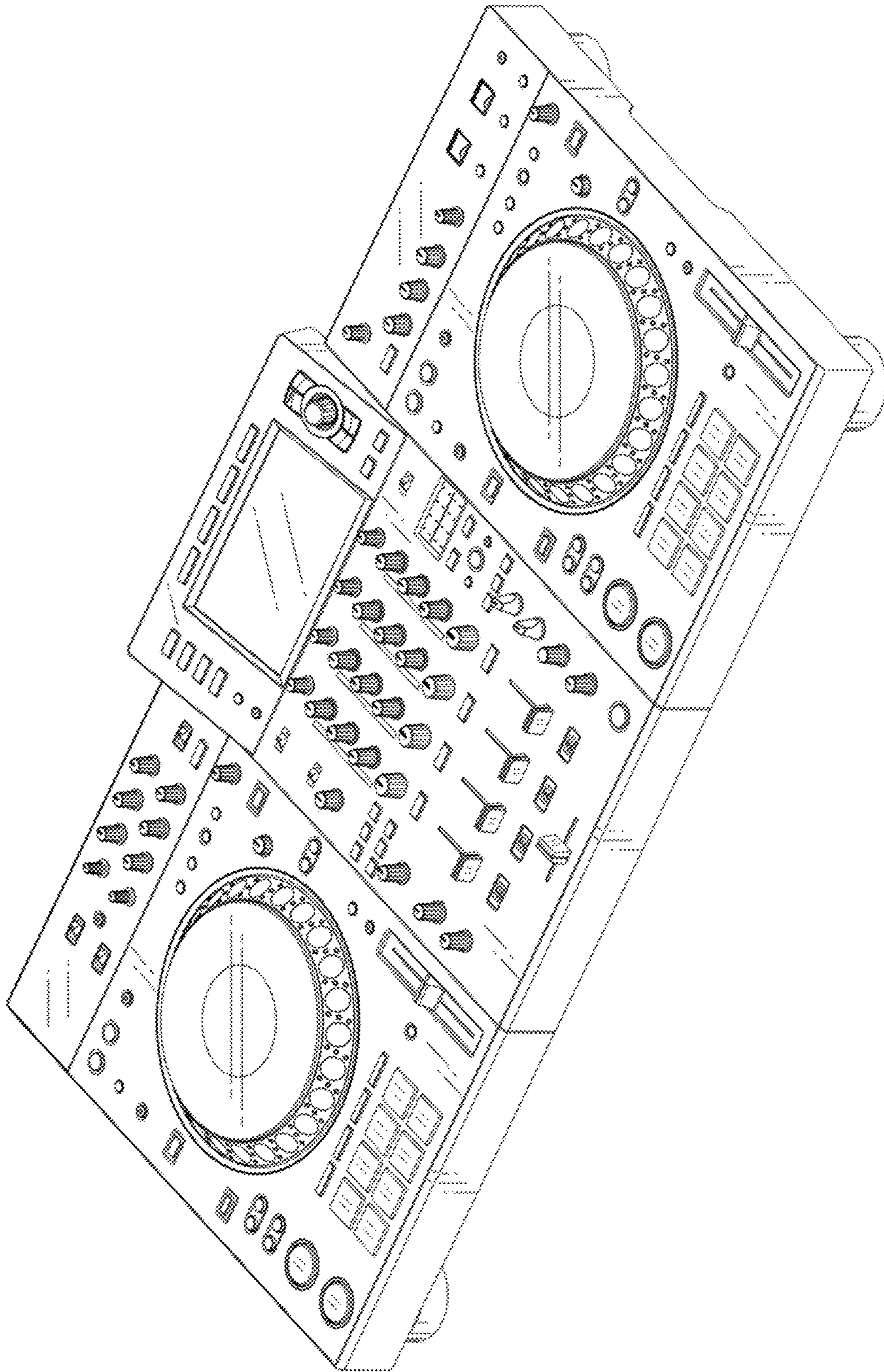


FIG. 2

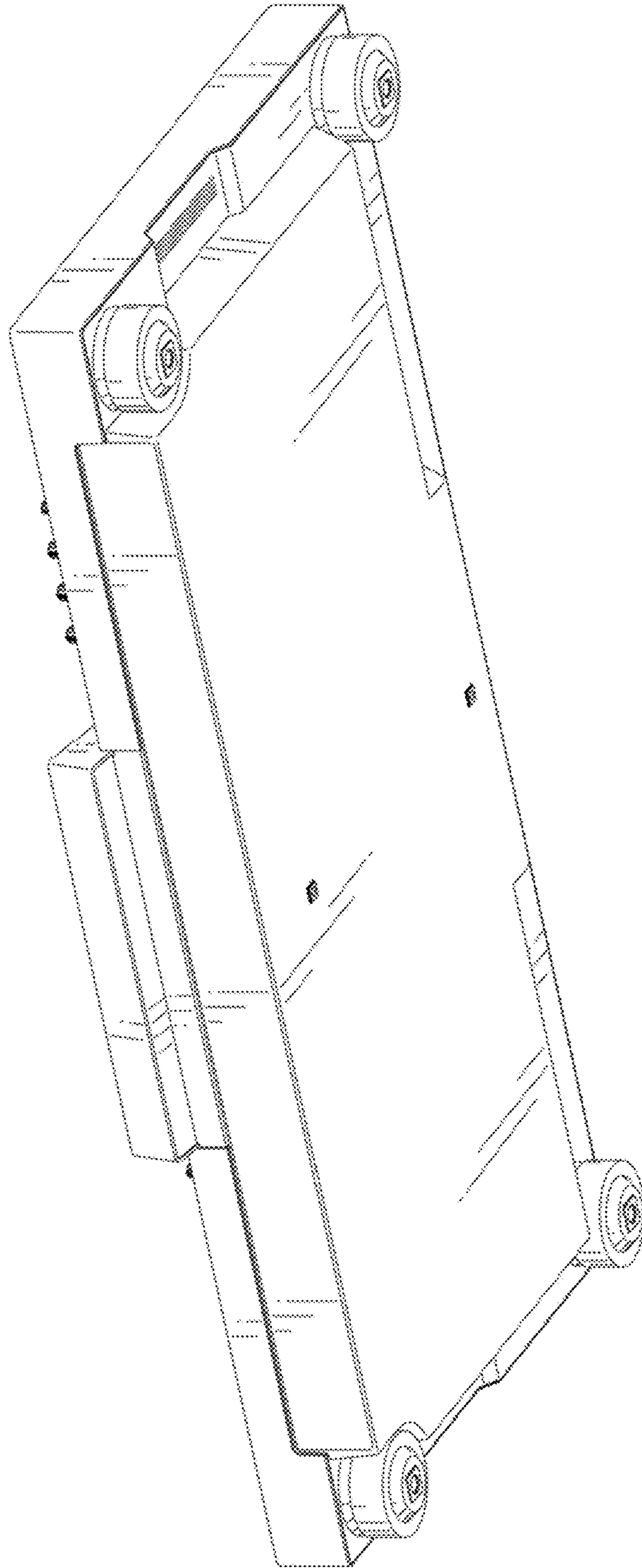


FIG. 3

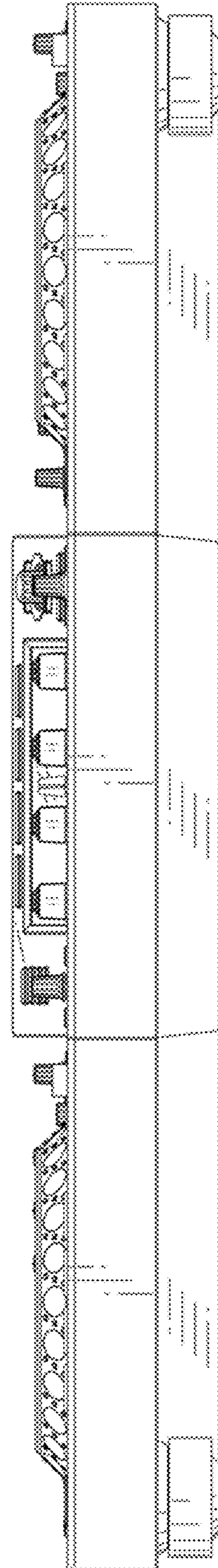


FIG. 4

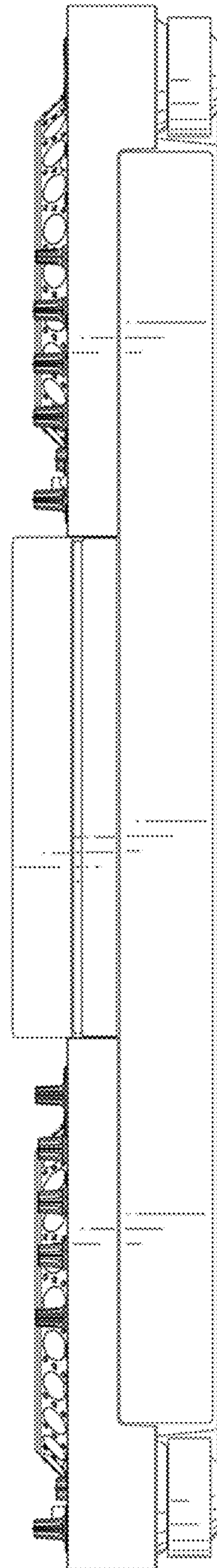


FIG. 5

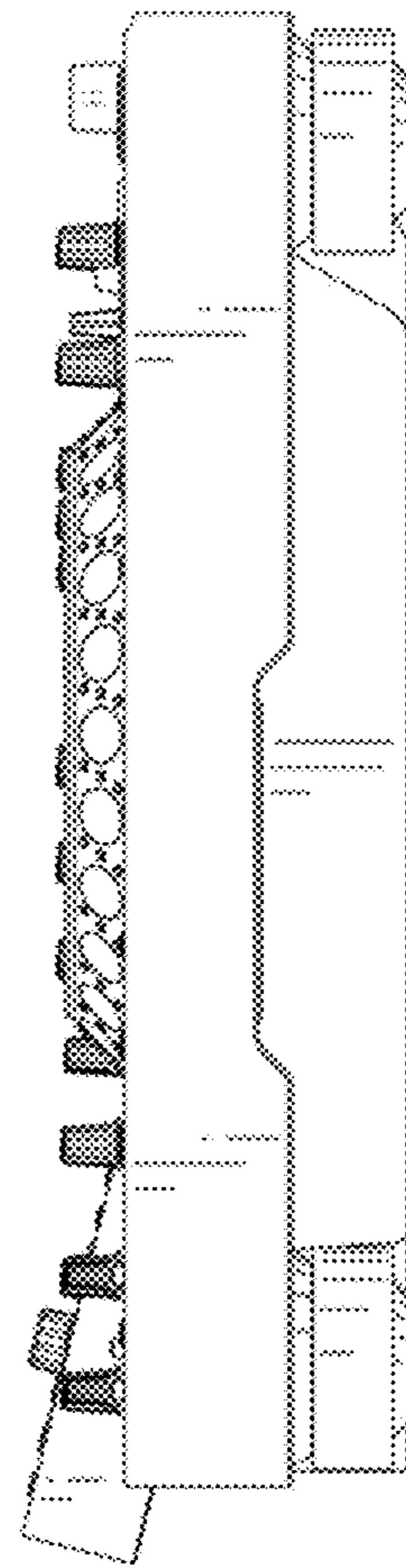


FIG. 6

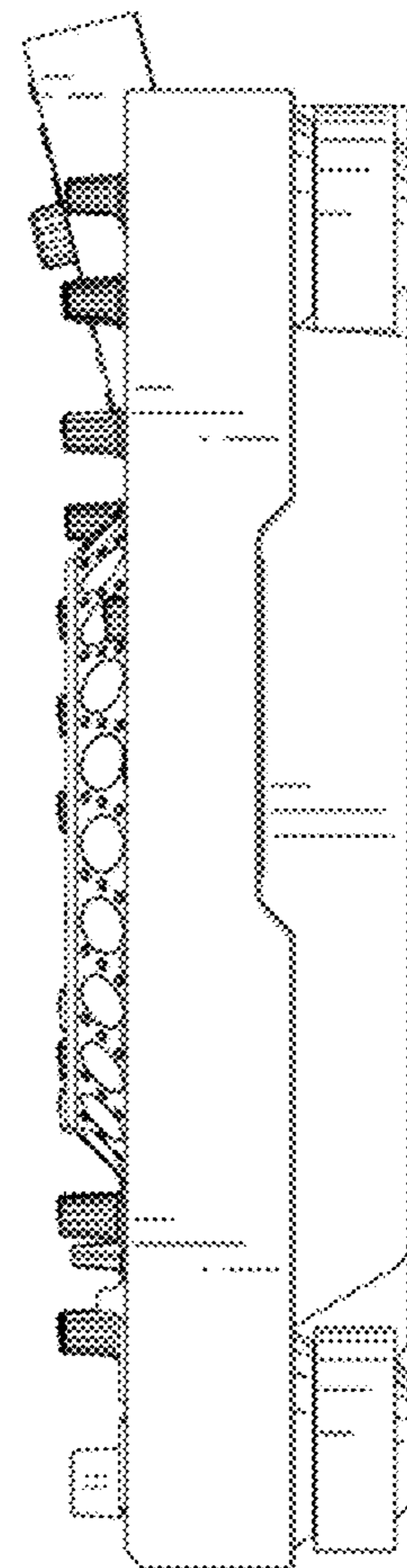




FIG. 7

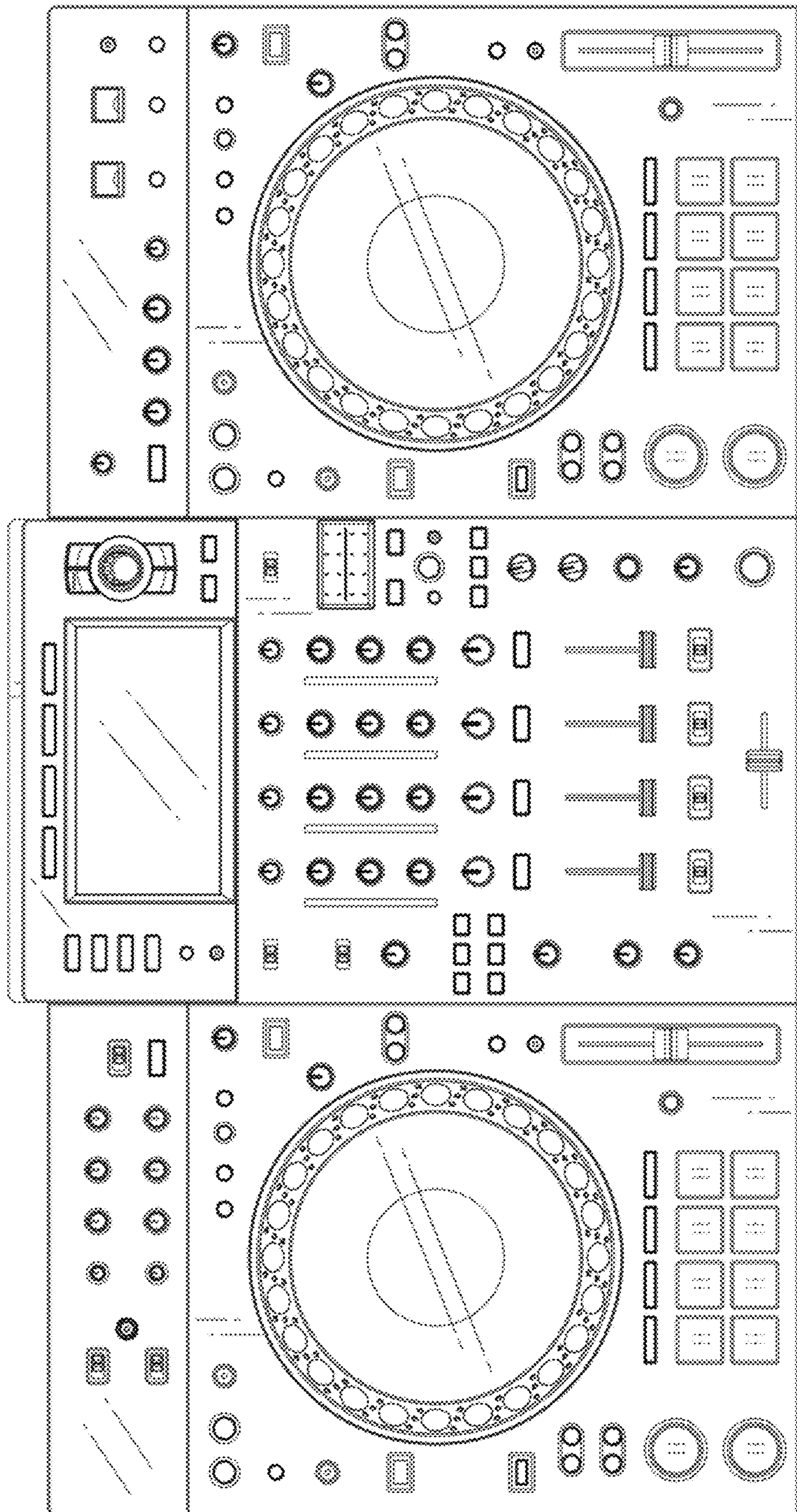


FIG. 8

