



US00D947153S

(12) **United States Design Patent**
He et al.

(10) **Patent No.:** **US D947,153 S**
(45) **Date of Patent:** **** Mar. 29, 2022**

(54) **KID HEADPHONE**

(71) Applicant: **SHENZHEN THOUSANDSHORES TECHNOLOGY CO., LTD.**, Shenzhen (CN)

(72) Inventors: **Ding He**, Shenzhen (CN); **Zhi Liu**, Shenzhen (CN); **Jinying Zhao**, Shenzhen (CN); **Hailong Zhou**, Shenzhen (CN)

(**) Term: **15 Years**

(21) Appl. No.: **29/758,785**

(22) Filed: **Nov. 18, 2020**

(51) **LOC (13) Cl.** **14-01**

(52) **U.S. Cl.**
USPC **D14/206**; D14/226

(58) **Field of Classification Search**
USPC D14/206, 205, 188, 192, 226; D29/112; 2/209; 381/380, 381, 374; 455/90.3
CPC H04R 25/00; H04R 25/02; H04R 1/1066; H04R 1/1016; H04R 5/033; H04R 5/0335; H04R 1/10; H04R 1/1083; H04R 1/1058; H04R 19/04
See application file for complete search history.

(56) **References Cited**
U.S. PATENT DOCUMENTS

2,875,543 A * 3/1959 Sylvester D06Q 1/00
428/30

2,958,148 A * 11/1960 Sylvester B44F 1/00
428/30

D246,519 S * 11/1977 Kato D14/205

D345,163 S * 3/1994 Yamatogi D14/205

5,684,883 A * 11/1997 Chen H02G 11/02
381/370

D410,466 S * 6/1999 Mouri D14/205

6,081,604 A * 6/2000 Hikichi H04R 1/083
381/124

6,093,202 A * 7/2000 Dyken A61F 7/02
607/108

D435,249 S * 12/2000 Yasutomi D14/205

7,388,960 B2 * 6/2008 Kuo H04R 1/1041
379/430

D712,383 S * 9/2014 McNamara D14/223

D723,509 S * 3/2015 Garland D14/205

D725,074 S * 3/2015 Boeckel D14/205

D725,630 S * 3/2015 Nakagawa D14/205

D736,174 S * 8/2015 Levine D14/205

D736,175 S * 8/2015 Levine D14/205

D746,790 S * 1/2016 Strasberg D14/205

D750,041 S * 2/2016 Birger D14/205

D765,055 S * 8/2016 Hsieh D14/205

D769,219 S * 10/2016 Ohmachi D14/205

D769,221 S * 10/2016 Pedersen D14/206

D775,104 S * 12/2016 Lee D14/205

D778,258 S * 2/2017 Hsu D14/205

D778,874 S * 2/2017 Lin D14/205

D794,602 S * 8/2017 Riggs D14/205

D806,675 S * 1/2018 Fuglsang D14/206

(Continued)

Primary Examiner — Paula Allen Greene

(57) **CLAIM**

The ornamental design for a kid headphone, as shown and described.

DESCRIPTION

FIG. 1 is a perspective view of a kid headphone showing my new design;

FIG. 2 is another perspective view thereof;

FIG. 3 is a front view thereof;

FIG. 4 is a rear view thereof;

FIG. 5 is a left side view thereof;

FIG. 6 is a right side view thereof;

FIG. 7 is a top plan view thereof; and,

FIG. 8 is a bottom plan view thereof.

The broken lines in the figures illustrate portions of the kid headphone that form no part of the claimed design.

1 Claim, 7 Drawing Sheets



(56)

References Cited

U.S. PATENT DOCUMENTS

D808,359 S *	1/2018	Meyer	D14/205	D878,327 S *	3/2020	Dhondt	D14/205
D811,364 S *	2/2018	Park	D14/205	D879,066 S *	3/2020	Chen	D14/205
D812,035 S *	3/2018	Petersen	D14/205	D879,067 S *	3/2020	Hu	D14/205
D812,588 S *	3/2018	Levine	D14/205	D879,741 S *	3/2020	Hu	D14/205
D832,813 S *	11/2018	Levine	D14/205	D879,742 S *	3/2020	Hu	D14/205
D834,260 S *	11/2018	Garcia Mansilla	D29/112	D894,867 S *	9/2020	Choe	D14/205
D840,373 S *	2/2019	Lee	D14/206	D904,337 S *	12/2020	Saule	D14/205
D843,345 S *	3/2019	Brunner	D14/205	D921,607 S *	6/2021	Saule	D14/205
D845,927 S *	4/2019	Wang	D14/206	D934,198 S *	10/2021	Michaelian	D14/205
D848,395 S *	5/2019	Kelley	D14/205	2007/0121984 A1 *	5/2007	Chen	H04R 1/1033
D851,064 S *	6/2019	Wang	D14/206					381/367
D851,839 S *	6/2019	Scanlon	D29/112	2008/0069391 A1 *	3/2008	Steyn	H04R 1/1083
D852,776 S *	7/2019	Zhu	D14/205					381/371
D852,777 S *	7/2019	Park	D14/206	2012/0328119 A1 *	12/2012	Heise	H04R 1/1066
D856,967 S *	8/2019	Tang	D14/206					381/74
D858,483 S *	9/2019	Hu	D14/205	2013/0087404 A1 *	4/2013	Peskar	B32B 27/40
D869,437 S *	12/2019	Hu	D14/205					181/129
D870,698 S *	12/2019	Long	D14/206	2015/0139472 A1 *	5/2015	Solomon	H04R 1/1008
D871,367 S *	12/2019	Zhijun	D14/205					381/378
D876,392 S *	2/2020	Zhou	D14/206	2017/0041697 A1 *	2/2017	Levine	H04R 1/1033
D877,115 S *	3/2020	Kelley	D14/205	2017/0064436 A1 *	3/2017	Tamura	H04R 1/1066
					2017/0201820 A1 *	7/2017	Inoue	H04R 1/1041
					2019/0379962 A1 *	12/2019	Navid	H04R 1/38

* cited by examiner



FIG. 1



FIG. 2



FIG. 3



FIG. 4

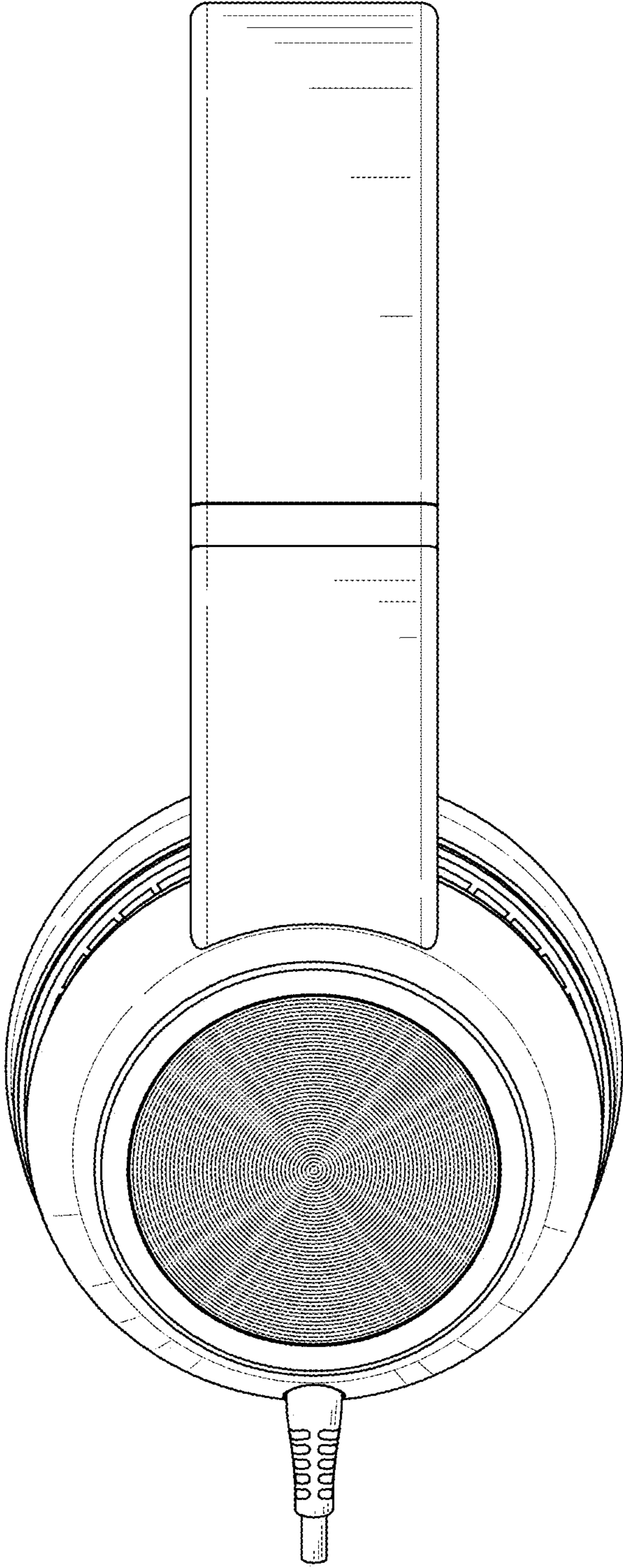


FIG. 5

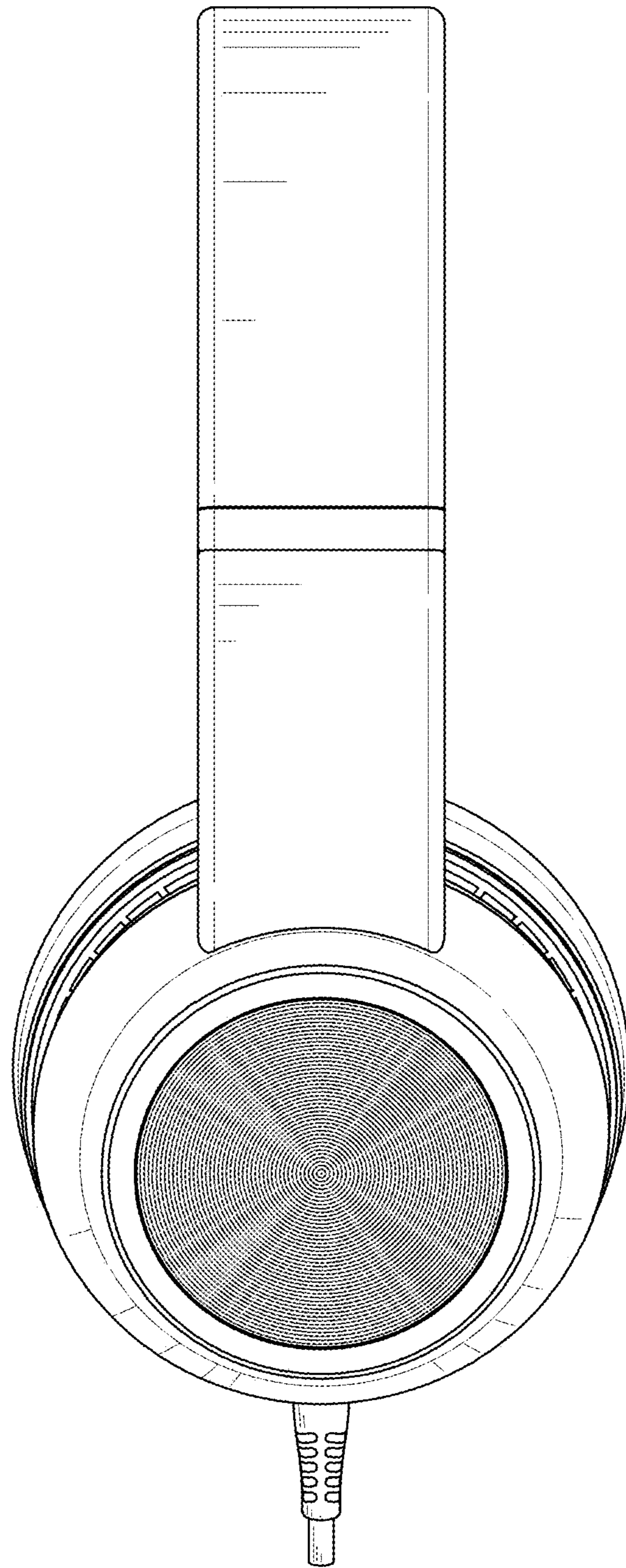


FIG. 6

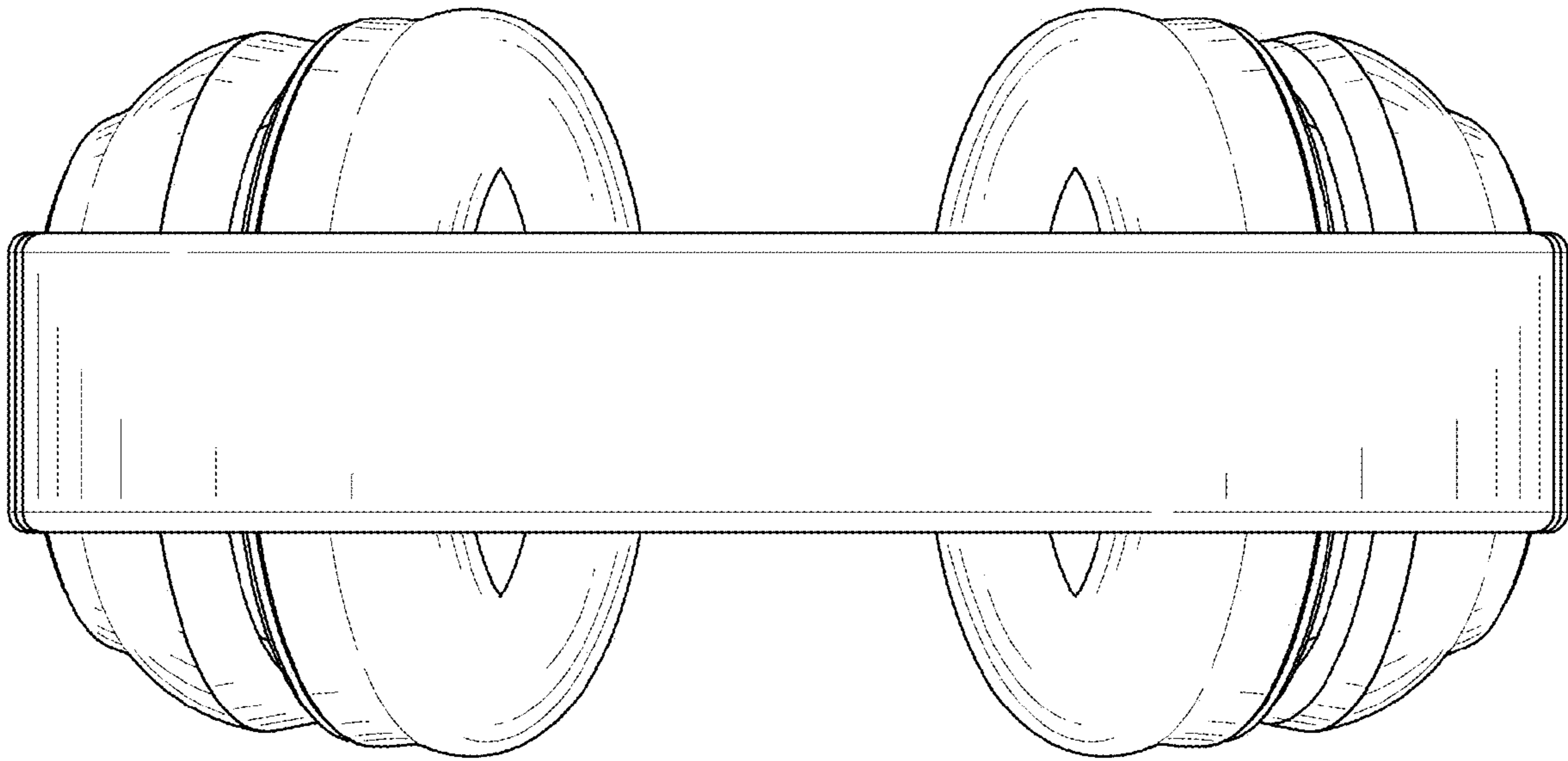


FIG. 7

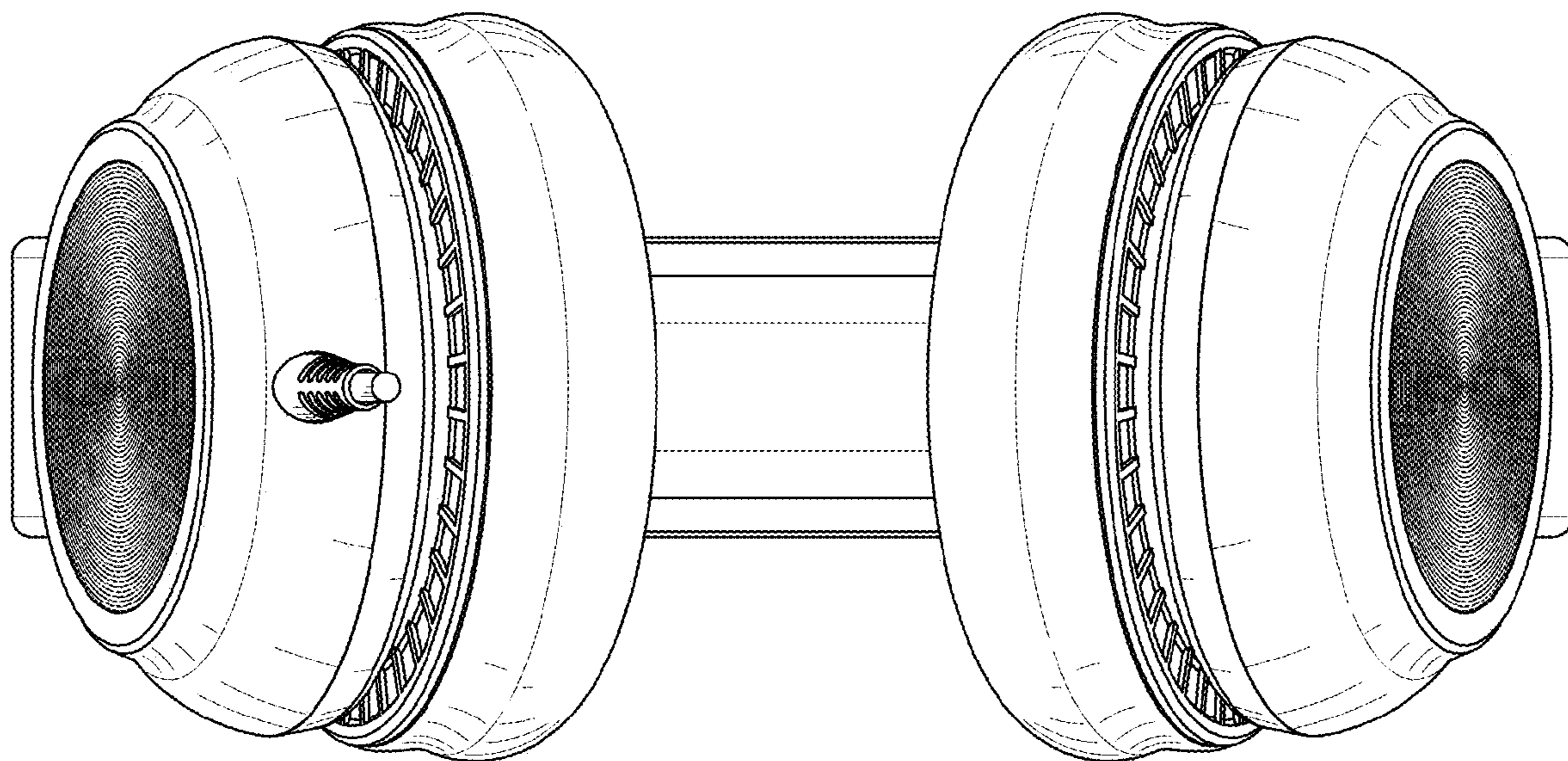


FIG. 8