



US00D947150S

(12) **United States Design Patent**
Zhang et al.

(10) **Patent No.:** **US D947,150 S**
(45) **Date of Patent:** **** Mar. 29, 2022**

(54) **RECEIVER**

(71) Applicant: **Ugreen Group Limited**, Shenzhen (CN)

(72) Inventors: **Qingsen Zhang**, Shenzhen (CN);
Junling Chen, Shenzhen (CN); **Jiarong Liang**, Shenzhen (CN)

(**) Term: **15 Years**

(21) Appl. No.: **29/752,745**

(22) Filed: **Sep. 29, 2020**

(51) **LOC (13) Cl.** **14-02**

(52) **U.S. Cl.**
USPC **D14/155**

(58) **Field of Classification Search**
USPC D14/356, 432-434, 453, 454, 511, 203.8,
D14/209.1, 238.1, 240, 125, 155;
439/638, 928, 105, 502; 710/303, 304;
361/679.41, 679.55, 679.56; D13/110,
D13/133, 146
CPC H01R 13/71; H01R 13/6271; H01R 24/62;
H01R 13/652
See application file for complete search history.

(56) **References Cited**

U.S. PATENT DOCUMENTS

4,944,016 A * 7/1990 Christian G10H 1/32
381/74
D420,665 S * 2/2000 Rosenberg D14/188

D531,623 S * 11/2006 Griffin D14/230
D550,196 S * 9/2007 Griffin D14/155
D566,167 S * 4/2008 David D17/20
D619,127 S * 7/2010 Tong D14/240
D674,345 S * 1/2013 Izen D13/133
D876,412 S * 2/2020 Ueno D14/242
D902,170 S * 11/2020 Jia D14/155

* cited by examiner

Primary Examiner — Austin Murphy

(57) **CLAIM**

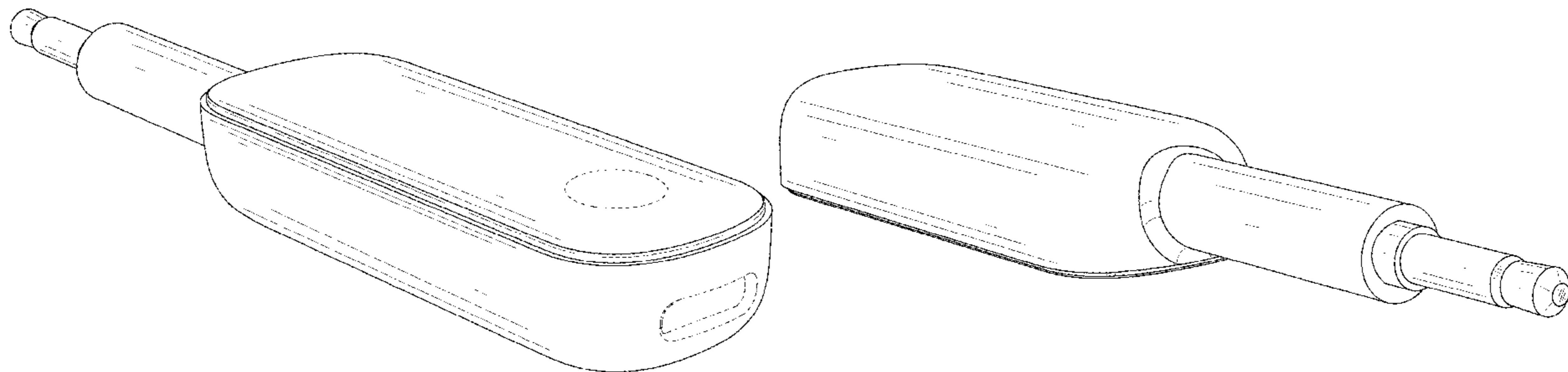
The ornamental design for a receiver, as shown and described.

DESCRIPTION

FIG. 1 is a first perspective view of a receiver showing our new design;
FIG. 2 is a second perspective view thereof;
FIG. 3 is a front view thereof;
FIG. 4 is a back view thereof;
FIG. 5 is a left side view thereof;
FIG. 6 is a right side view thereof;
FIG. 7 is a top view thereof; and,
FIG. 8 is a bottom view thereof.

The broken lines shown in the drawings depict portions of the receiver in which the design is embodied that form no part of the claimed design.

1 Claim, 8 Drawing Sheets



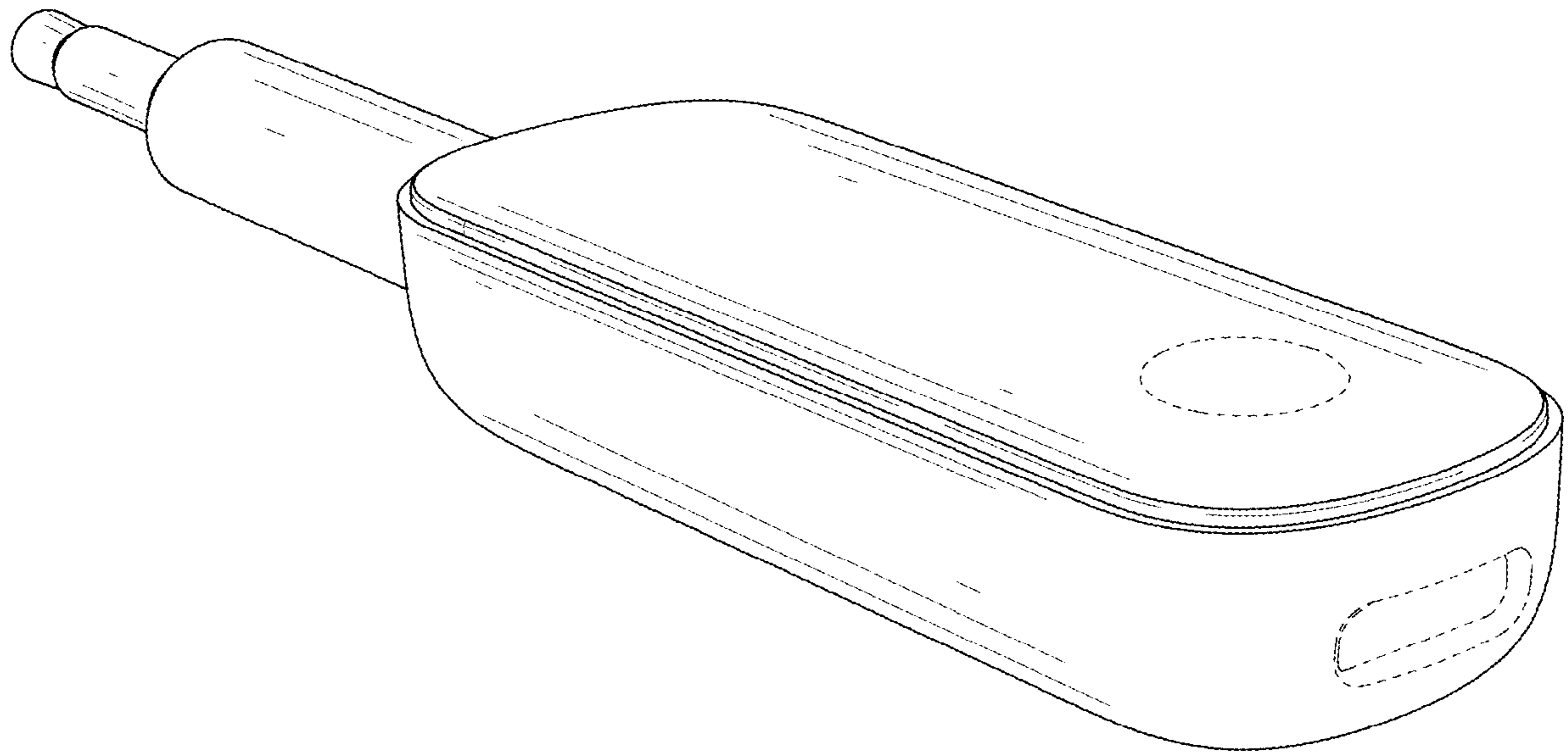


FIG. 1

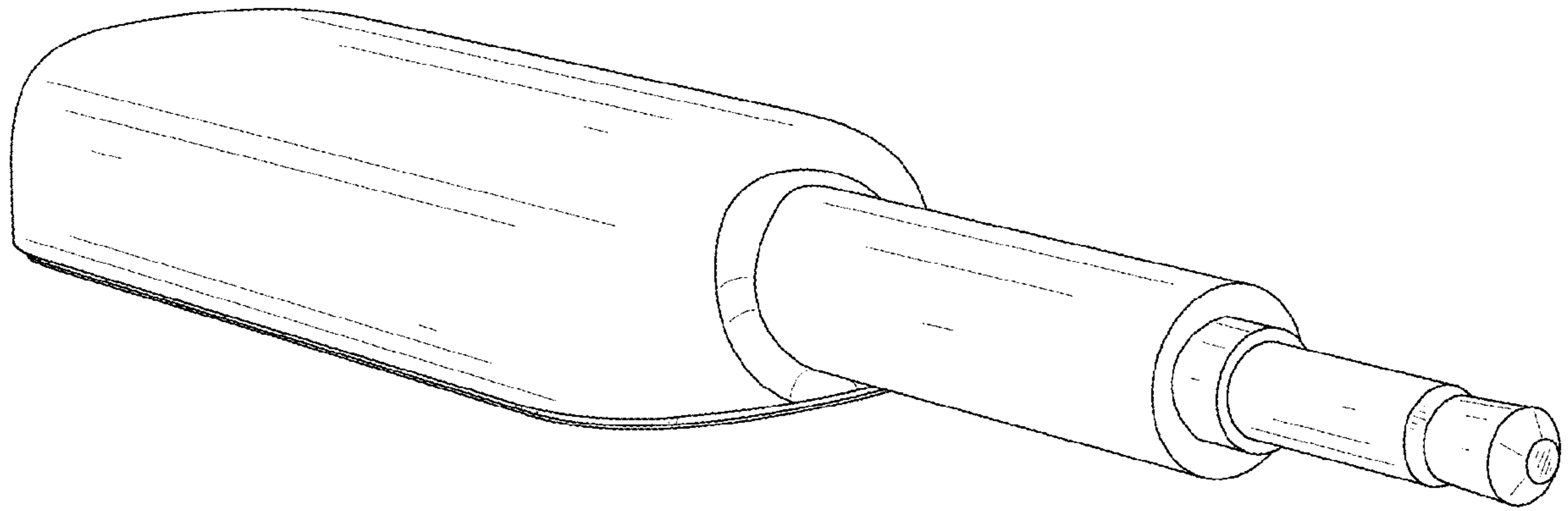


FIG. 2

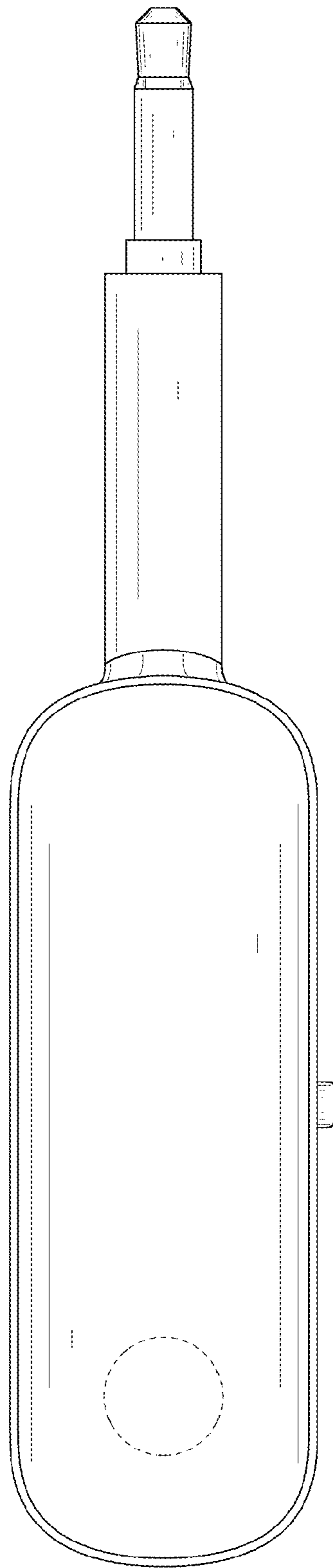


FIG. 3

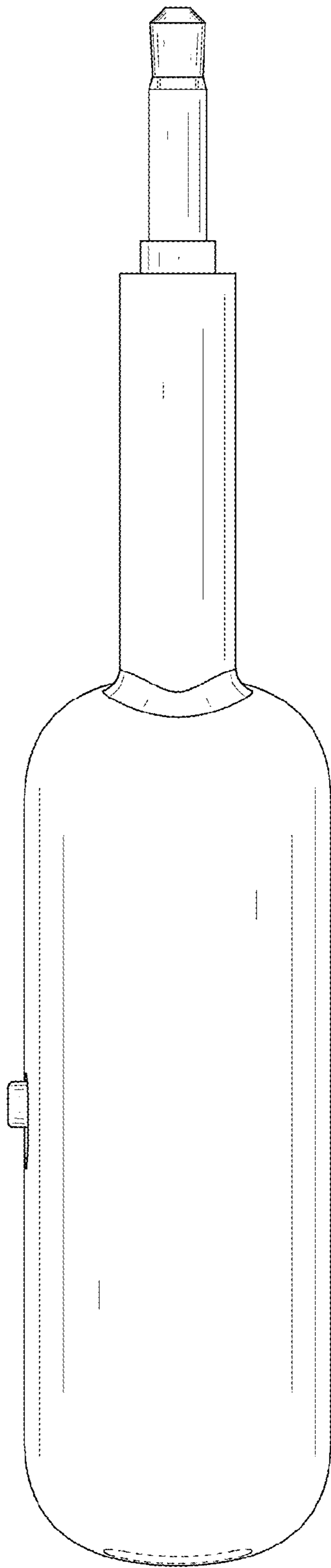


FIG. 4

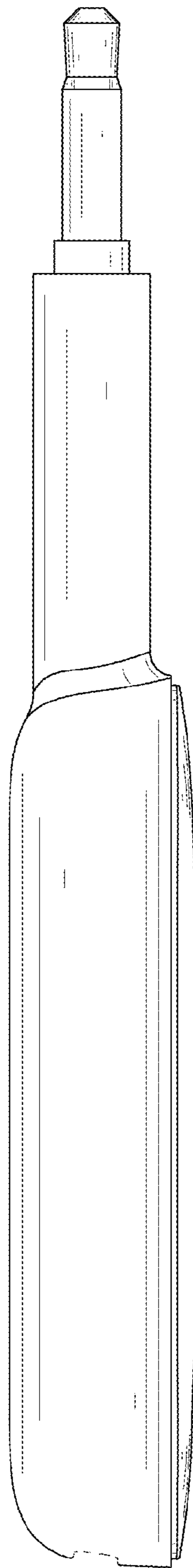


FIG. 5

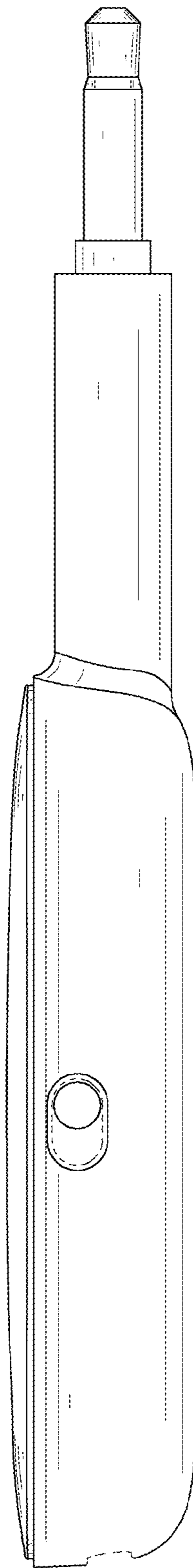


FIG. 6

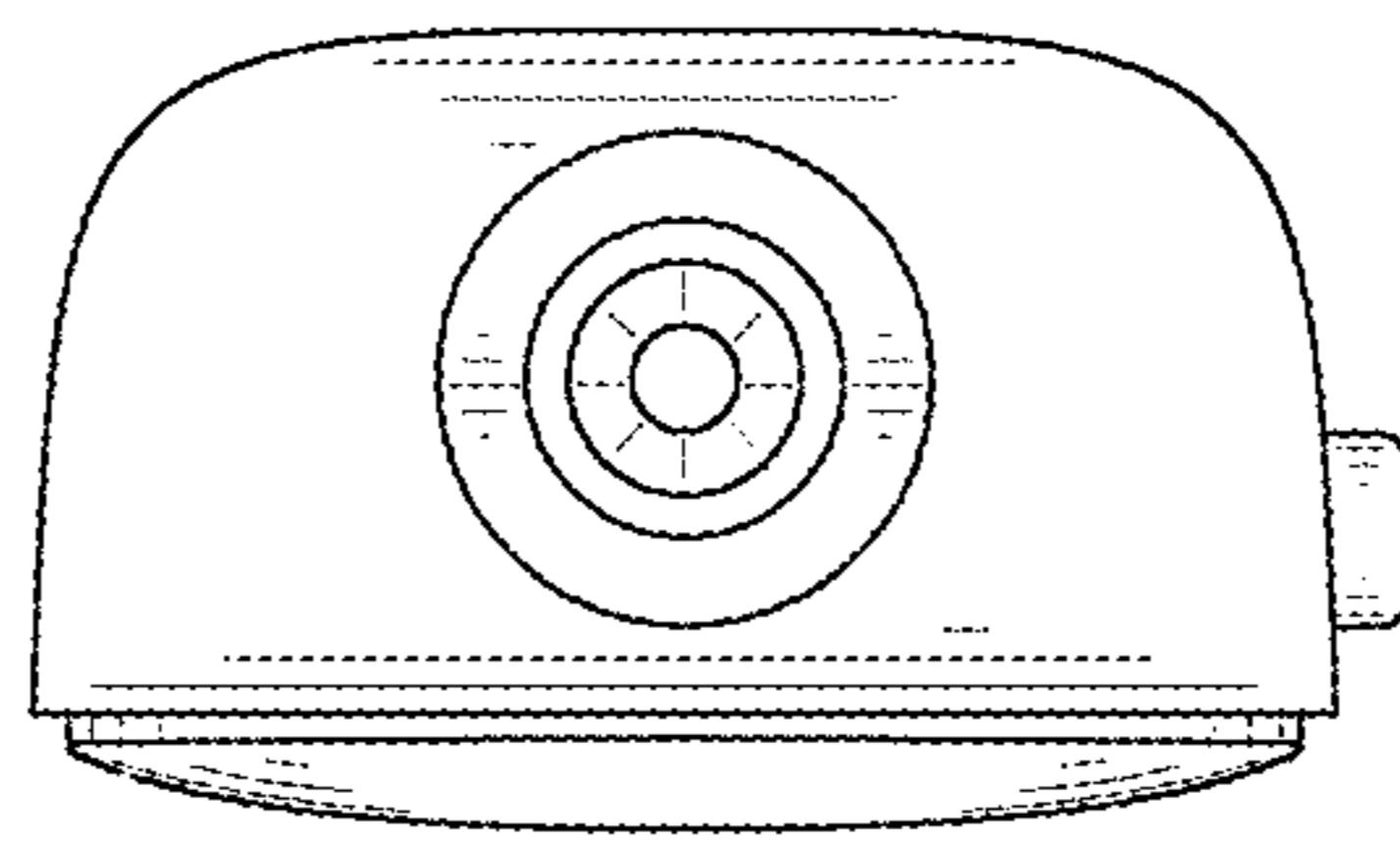


FIG. 7

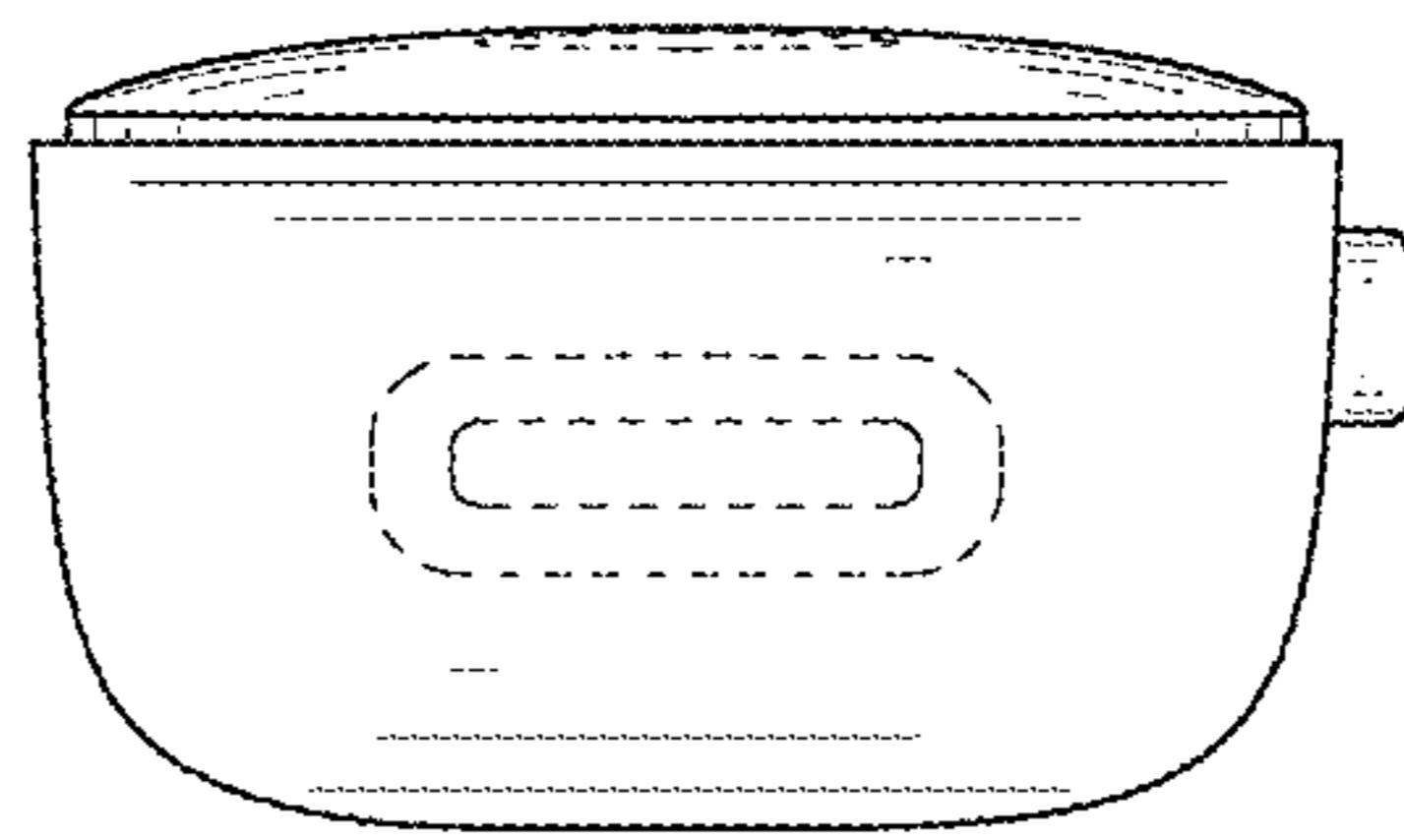


FIG. 8