



US00D947149S

(12) **United States Design Patent**
Hwang et al.

(10) **Patent No.:** **US D947,149 S**
(45) **Date of Patent:** **** Mar. 29, 2022**

(54) **DISPLAY SCREEN**
(71) Applicant: **LG ELECTRONICS INC., Seoul (KR)**
(72) Inventors: **Jungyeon Hwang, Seoul (KR); Yongho Lee, Seoul (KR); Hewon Kihl, Seoul (KR); Chanwoo Park, Seoul (KR)**
(73) Assignee: **LG ELECTRONICS INC., Seoul (KR)**
(**) Term: **15 Years**
(21) Appl. No.: **35/510,481**
(22) Filed: **Apr. 1, 2020**
(80) **Hague Agreement Data**
Int. Filing Date: **Apr. 1, 2020**
Int. Reg. No.: **DM/208862**
Int. Reg. Date: **Apr. 1, 2020**
Int. Reg. Pub. Date: **Oct. 2, 2020**

D651,199 S * 12/2011 Huang D14/239
D660,307 S * 5/2012 Huang D14/452
8,472,174 B2 * 6/2013 Idems G09F 9/35
361/679.21
8,638,548 B2 * 1/2014 Gardes H04N 5/64
361/679.23
D755,745 S * 5/2016 Williams D14/126
D758,108 S * 6/2016 Do D6/678
D764,265 S * 8/2016 Monsees D8/380
D768,131 S * 10/2016 Kuo D14/374
D771,582 S * 11/2016 Williams D14/127
D806,726 S * 1/2018 Ryu D14/485
D812,610 S * 3/2018 Varghese D14/371
D879,732 S * 3/2020 He D14/126
D890,710 S * 7/2020 Bakshi D14/126
10,705,563 B2 * 7/2020 Lin G06F 1/1616
D908,653 S * 1/2021 Eatman D14/127
D912,638 S * 3/2021 Liao D14/127
D925,484 S * 7/2021 Easton D14/126

(Continued)

Primary Examiner — Richard E Chilcot
(74) *Attorney, Agent, or Firm* — Birch, Stewart, Kolasch & Birch, LLP

(30) **Foreign Application Priority Data**
Oct. 11, 2019 (KR) 30-2019-0048552
(51) **LOC (13) Cl.** **14-03**
(52) **U.S. Cl.**
USPC **D14/127**
CPC **A63F 9/06 (2013.01)**
(58) **Field of Classification Search**
USPC D14/348, 371–374, 505, 127, 212–214,
D14/310; D21/484, 499–500;
D6/331–332, 675; D25/112–118, 156;
345/6, 31, 319; 348/383
CPC A63F 9/06; A63F 9/1204; A63F 9/083;
A63F 9/34; A63F 2003/00813
See application file for complete search history.

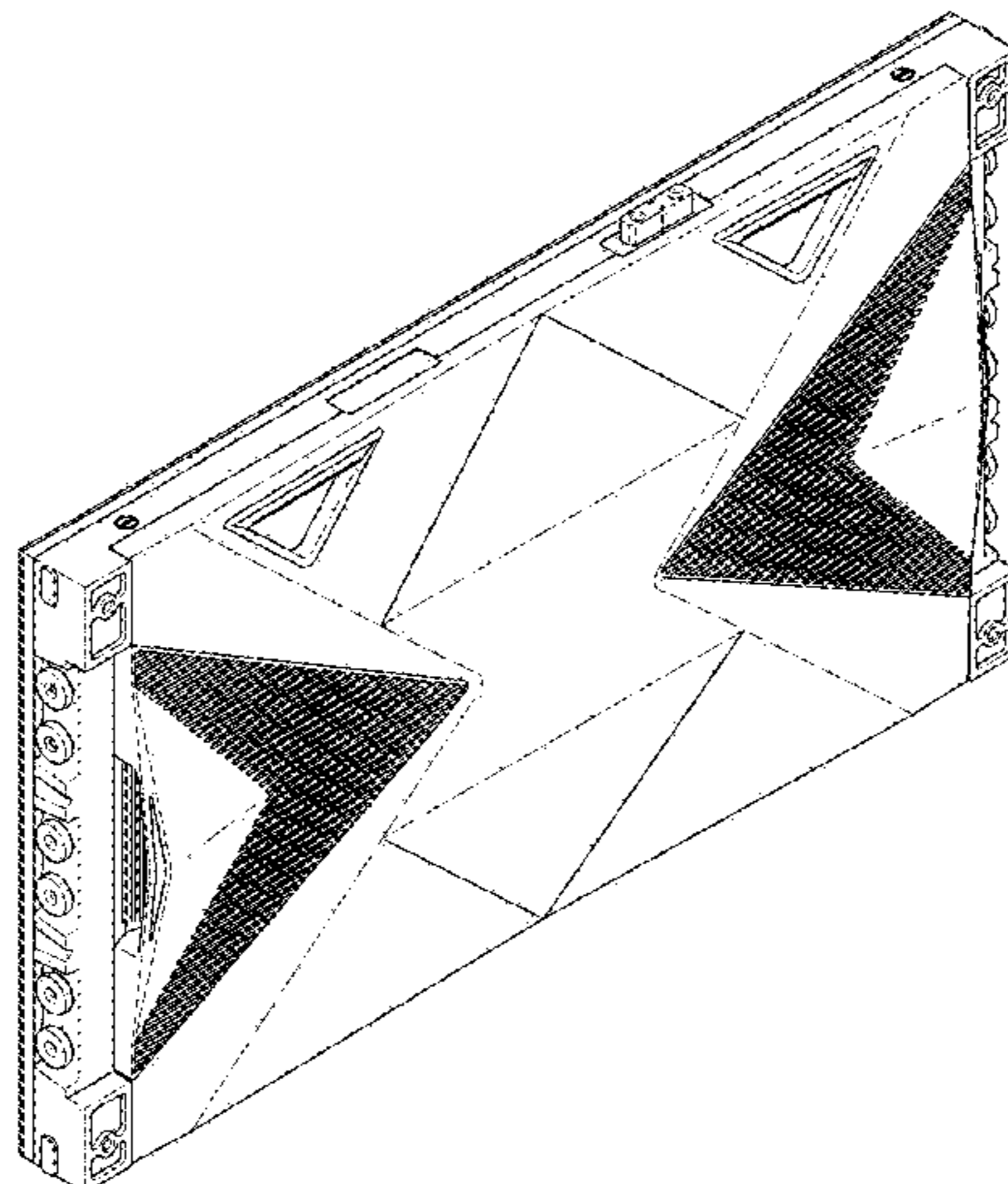
(56) **References Cited**
U.S. PATENT DOCUMENTS
D615,054 S * 5/2010 Melligen D14/127
D618,644 S * 6/2010 Graham D14/127

(57) **CLAIM**
The ornamental design for a display screen, as shown and described.

DESCRIPTION

1. Display screen
1.1 : Perspective
1.2 : Rear perspective view
1.3 : Front
1.4 : Back
1.5 : Left
1.6 : Right
1.7 : Top
1.8 : Bottom
The design could be extended by assembling (united) several designs using brackets.

1 Claim, 8 Drawing Sheets



(56)

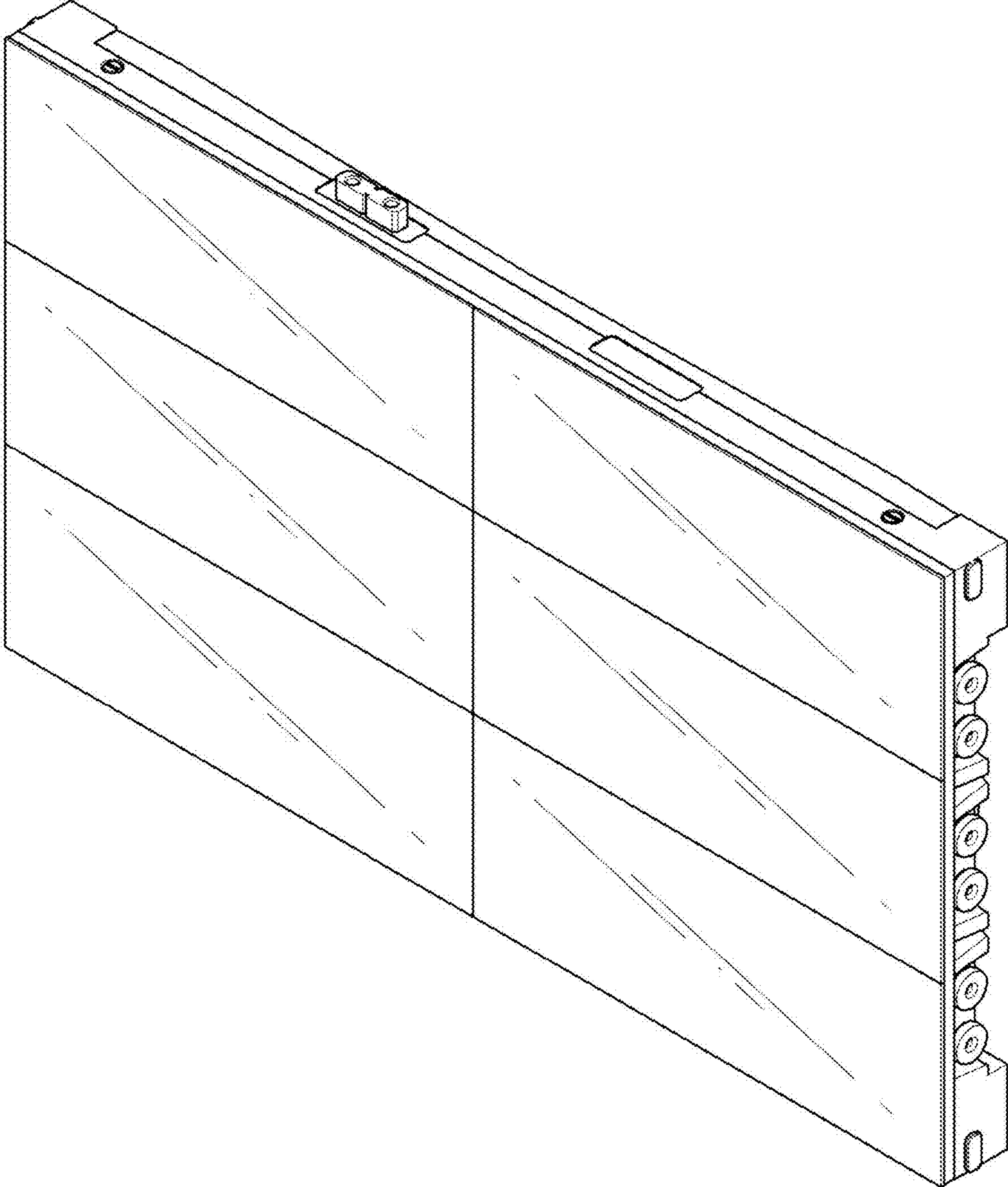
References Cited

U.S. PATENT DOCUMENTS

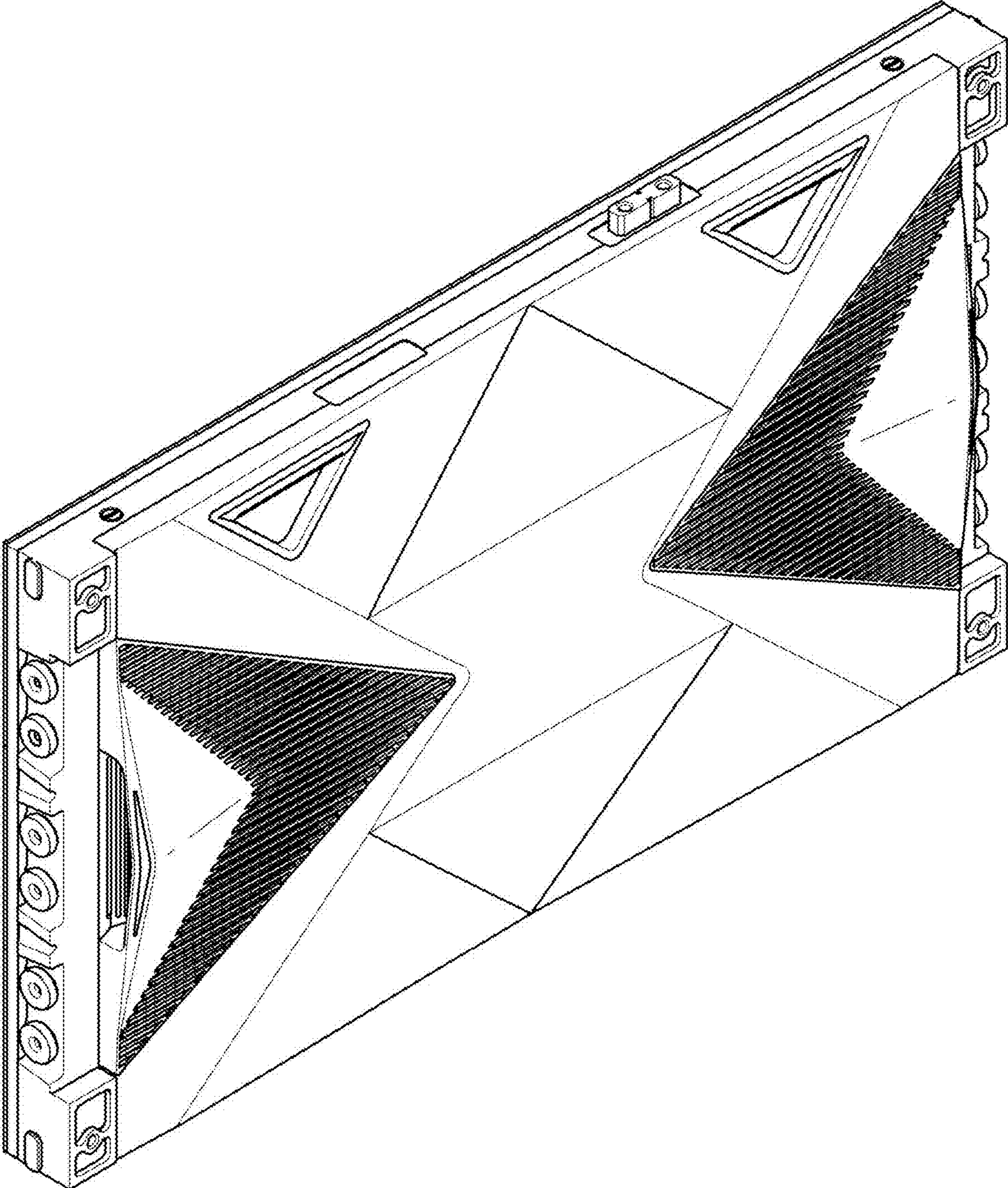
D929,355 S * 8/2021 Diao D14/126
2008/0067312 A1* 3/2008 Allen F16M 13/02
248/317
2019/0102971 A1* 4/2019 Schoonmaker F16M 11/06

* cited by examiner

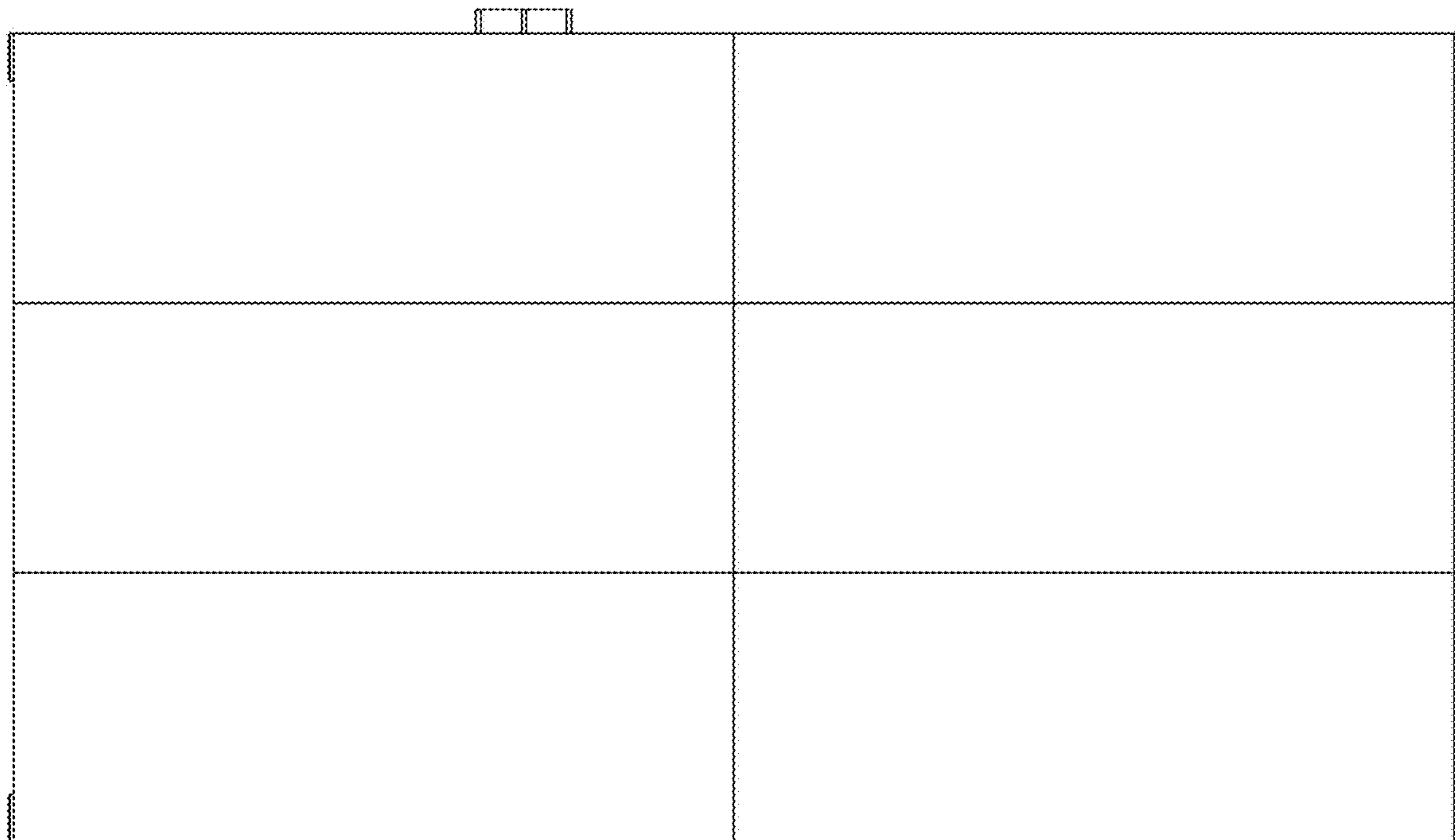
1.1



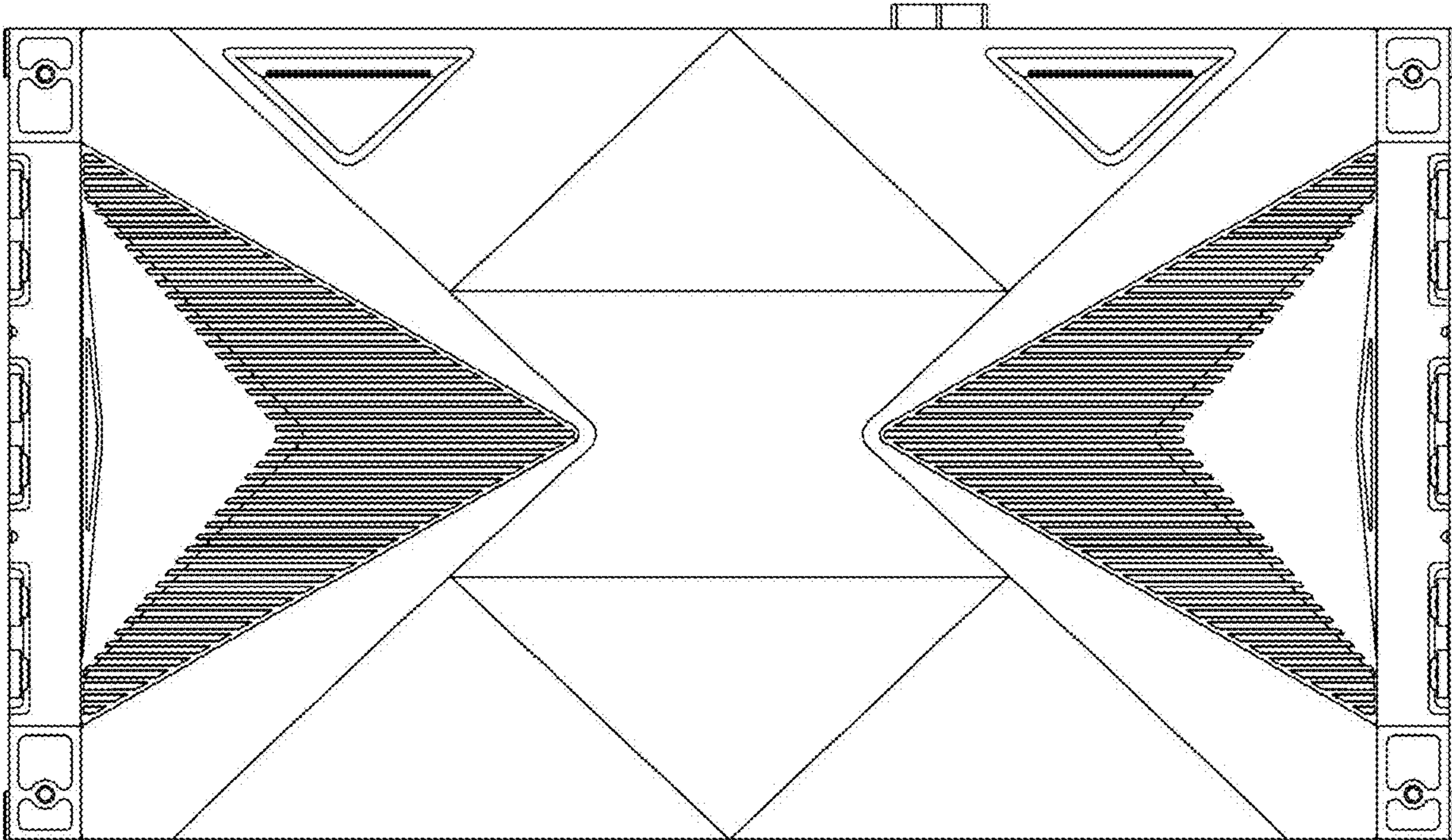
1.2



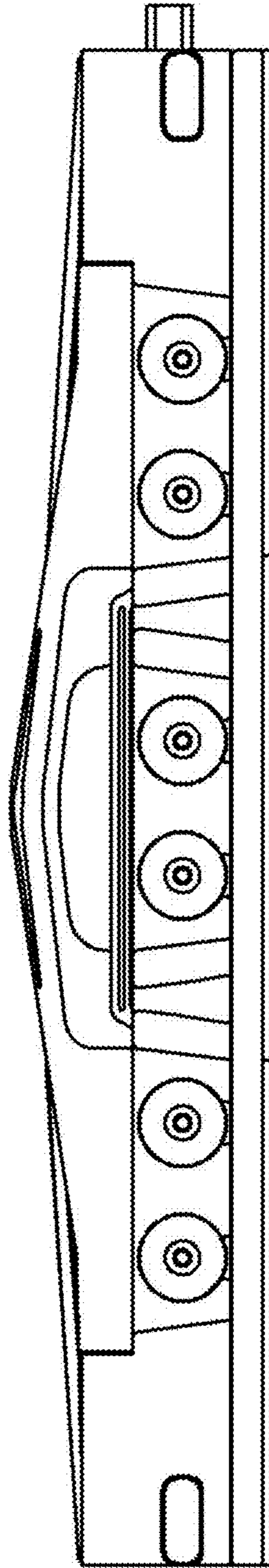
1.3



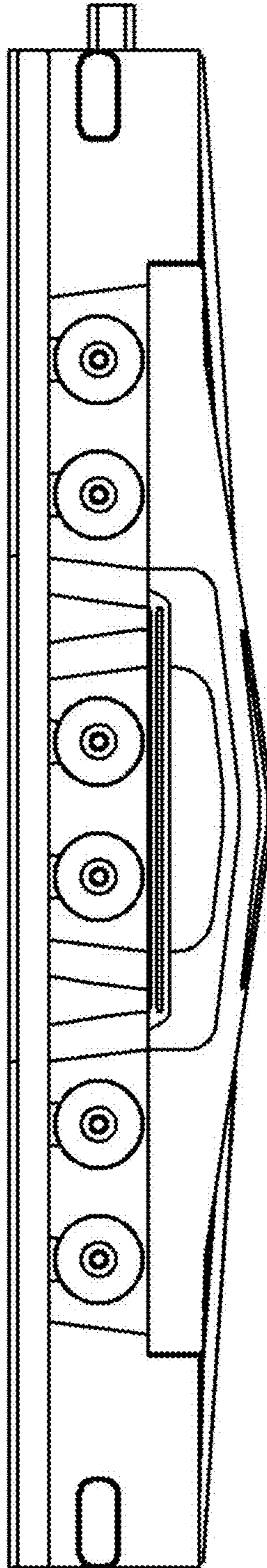
1.4



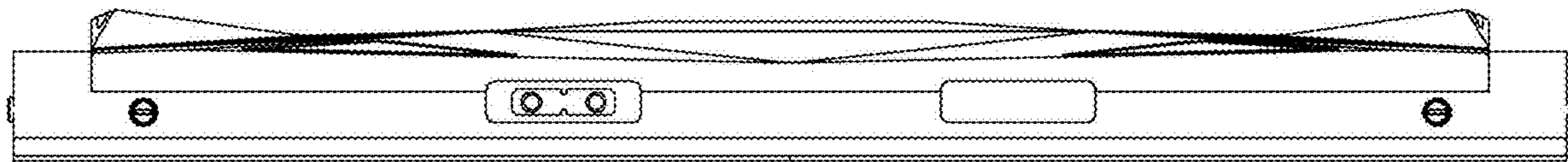
1.5



1.6



1.7



1.8

