



US00D947147S

(12) **United States Design Patent**
Hwang et al.

(10) **Patent No.:** **US D947,147 S**
(45) **Date of Patent:** **** Mar. 29, 2022**

(54) **ELECTRONIC DISPLAY UNIT**
(71) Applicant: **LG ELECTRONICS INC.**, Seoul (KR)
(72) Inventors: **Jungyeon Hwang**, Seoul (KR); **Yongho Lee**, Seoul (KR); **Hewon Kihl**, Seoul (KR); **Chanwoo Park**, Seoul (KR)
(73) Assignee: **LG ELECTRONICS INC.**, Seoul (KR)
(**) Term: **15 Years**
(21) Appl. No.: **35/510,435**
(22) Filed: **Apr. 1, 2020**
(80) **Hague Agreement Data**
Int. Filing Date: **Apr. 1, 2020**
Int. Reg. No.: **DM/208089**
Int. Reg. Date: **Apr. 1, 2020**
Int. Reg. Pub. Date: **Oct. 2, 2020**

(30) **Foreign Application Priority Data**
Oct. 11, 2019 (KR) 30-2019-0048556
(51) **LOC (13) Cl.** **14-03**
(52) **U.S. Cl.**
USPC **D14/127**
CPC **A63F 9/06 (2013.01)**
(58) **Field of Classification Search**
USPC D14/348, 371, 374, 505, 127, 212–214, D14/310, 373; D21/484, 499–500; D6/331–332, 675; D25/112–118, 156; 345/6, 31, 419
CPC A63F 9/06; A63F 9/1204; A63F 9/083; A63F 9/34; A63F 2003/00813; A63F 9/0826; A63F 9/0861
See application file for complete search history.

(56) **References Cited**
U.S. PATENT DOCUMENTS
D615,054 S * 5/2010 Melligen D14/127
D618,644 S * 6/2010 Graham D14/127
D651,199 S * 12/2011 Huang D14/239
D660,307 S * 5/2012 Huang D14/452

(Continued)

Primary Examiner — Richard E Chilcot
(74) *Attorney, Agent, or Firm* — Birch, Stewart, Kolasch & Birch, LLP

(57) **CLAIM**

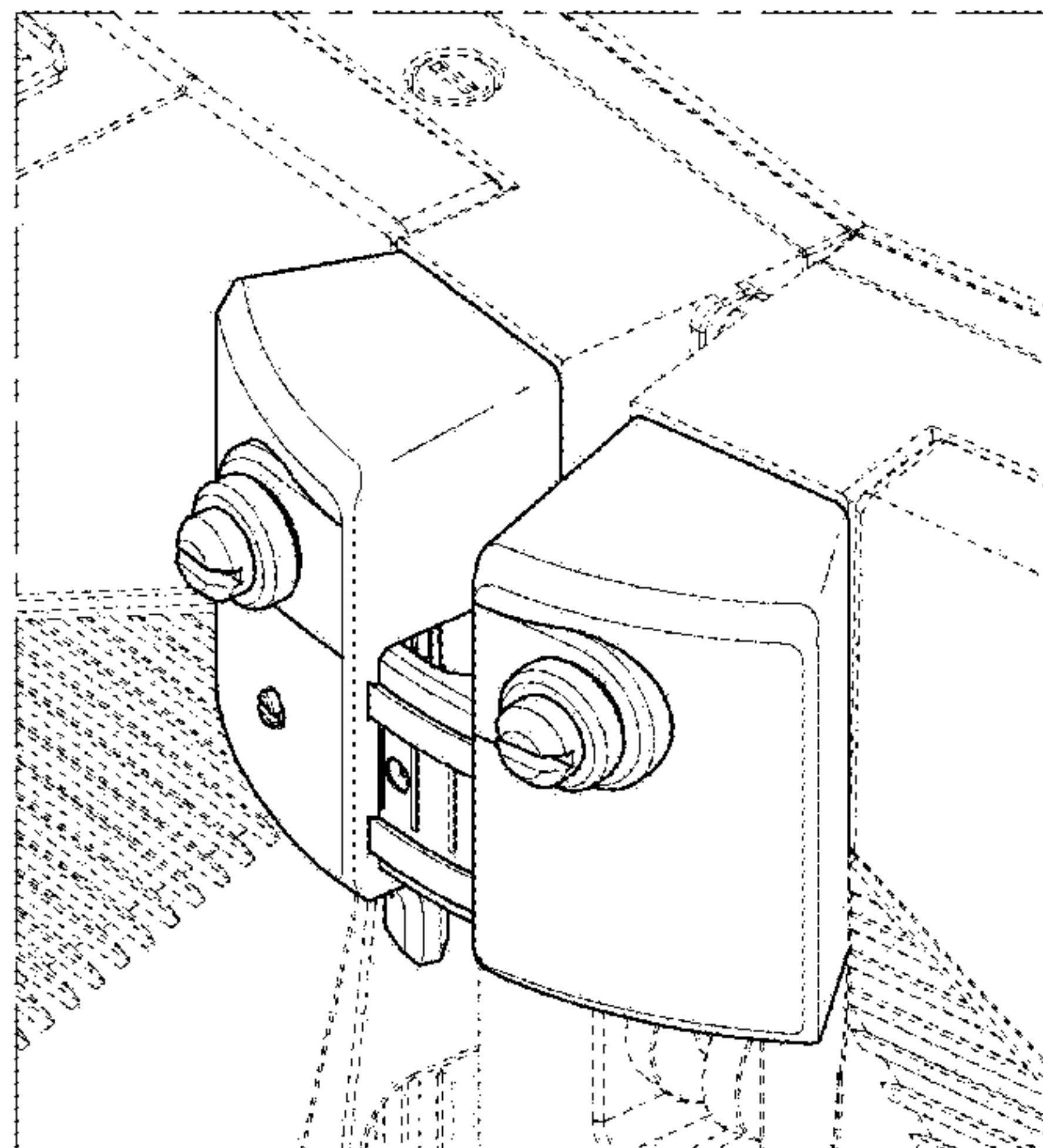
The ornamental design for an electronic display unit, as shown and described.

DESCRIPTION

- 1. Electronic display unit
- 1.1 : Perspective
- 1.2 : Rear perspective view
- 1.3 : Front
- 1.4 : Back
- 1.5 : Left
- 1.6 : Right
- 1.7 : Top
- 1.8 : Bottom
- 1.9 : Enlarged
- 1.10 : Perspective
- 1.11 : Rear perspective view
- 1.12 : Front
- 1.13 : Back
- 1.14 : Left
- 1.15 : Right
- 1.16 : Top
- 1.17 : Bottom
- 1.18 : Enlarged

The reproductions 1.1 to 1.9 show the design in the first position; the reproductions 1.10 to 1.18 show the design in the second position; the reproductions 1.9 and 1.18 are enlarged views of portions of the reproductions 1.2 and 1.11 respectively, represented by the square dash-dot lines and curvy line and the numbers 1.9 and 1.18; the broken lines indicate portions of the article that form no part of the claimed design.

1 Claim, 18 Drawing Sheets



(56)

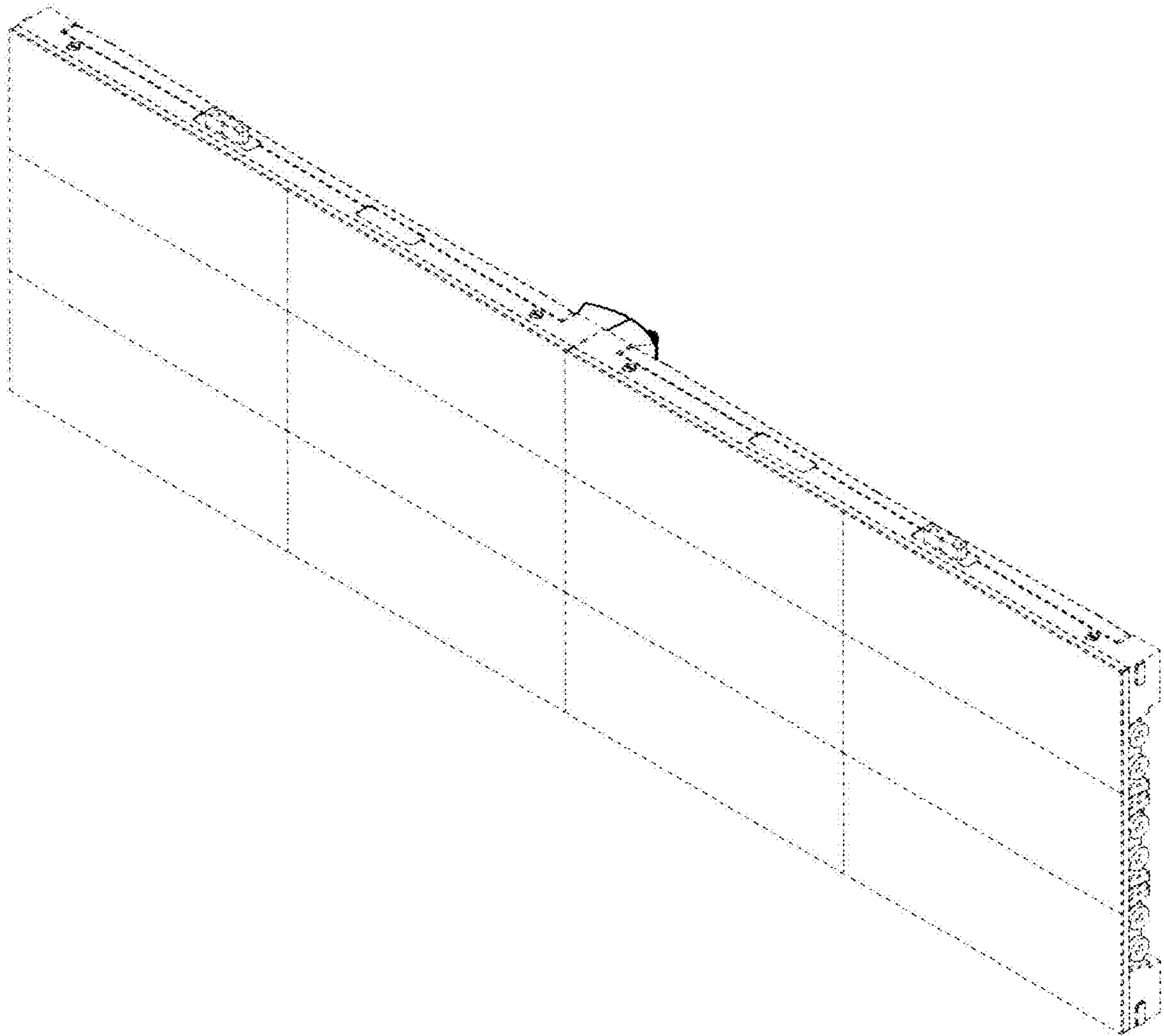
References Cited

U.S. PATENT DOCUMENTS

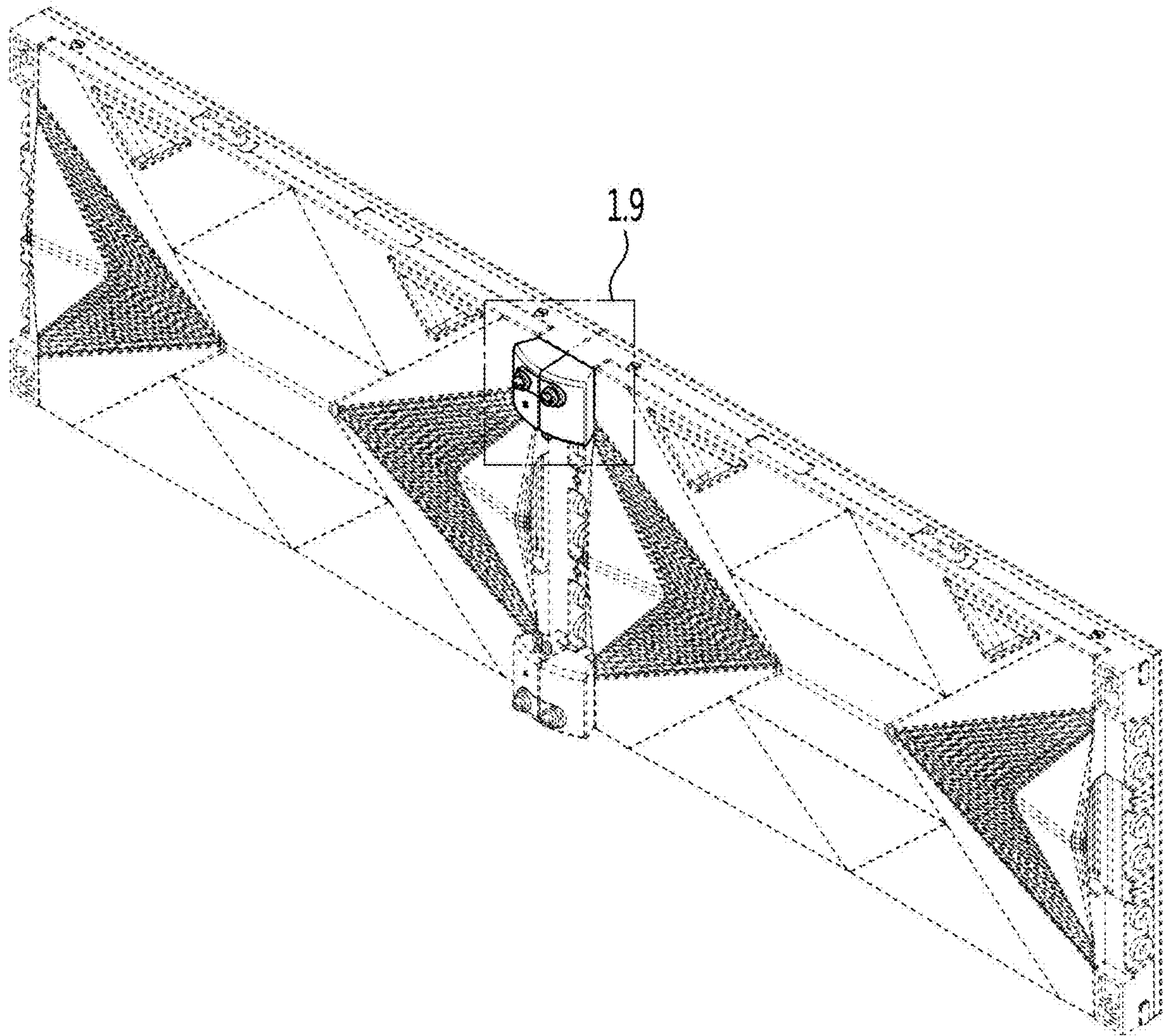
8,472,174	B2 *	6/2013	Idems	G09F 9/35 361/679.21
8,638,548	B2 *	1/2014	Gardes	H04N 5/64 361/679.23
D755,745	S *	5/2016	Williams	D14/126
D758,108	S *	6/2016	Do	D6/678
D764,265	S *	8/2016	Monsees	D8/380
D768,131	S *	10/2016	Kuo	D14/374
D771,582	S *	11/2016	Williams	D14/127
D806,726	S *	1/2018	Ryu	D14/485
D812,610	S *	3/2018	Varghese	D14/371
D879,732	S *	3/2020	He	D14/126
D890,710	S *	7/2020	Bakshi	D14/126
10,705,563	B2 *	7/2020	Lin	G06F 1/1616
D908,653	S *	1/2021	Eatman	D14/127
D912,638	S *	3/2021	Liao	D14/127
D925,484	S *	7/2021	Easton	D14/126
D929,355	S *	8/2021	Diao	D14/126
2008/0067312	A1 *	3/2008	Allen	F16M 13/02 248/317
2019/0102971	A1 *	4/2019	Schoonmaker	F16M 11/06

* cited by examiner

1.1

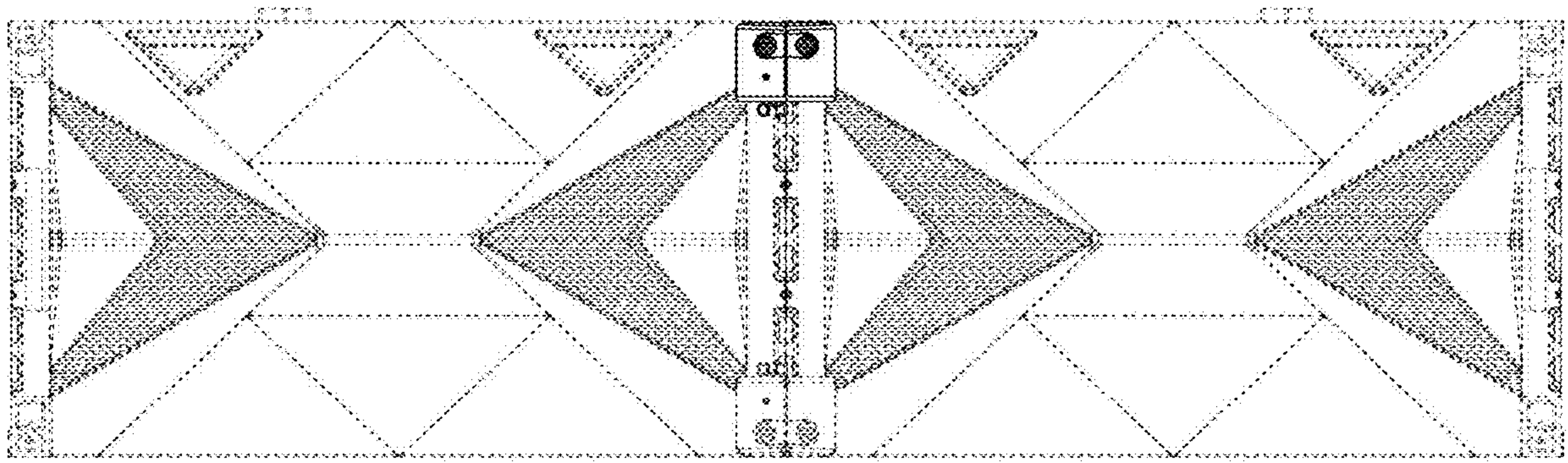


1.2

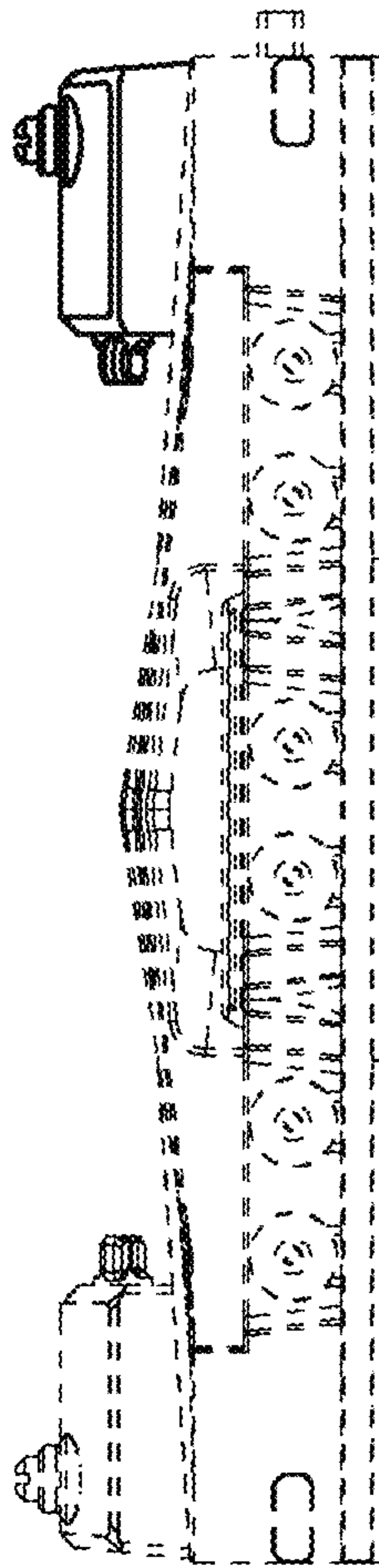


1.3

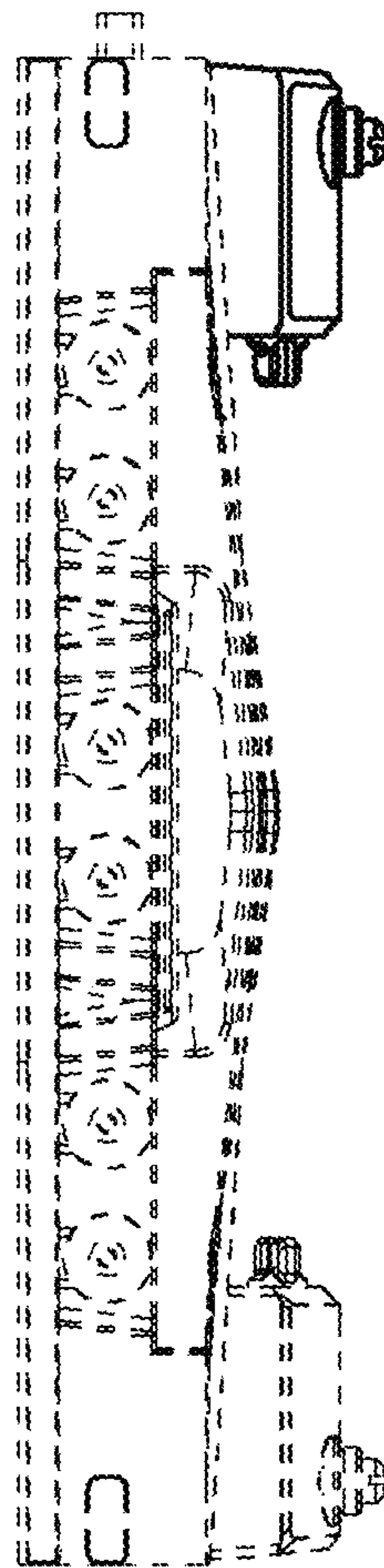
1.4



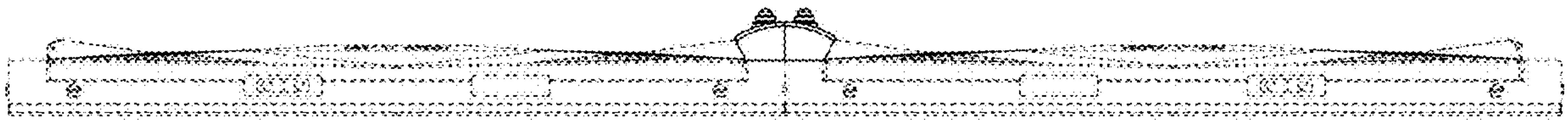
1.5



1.6



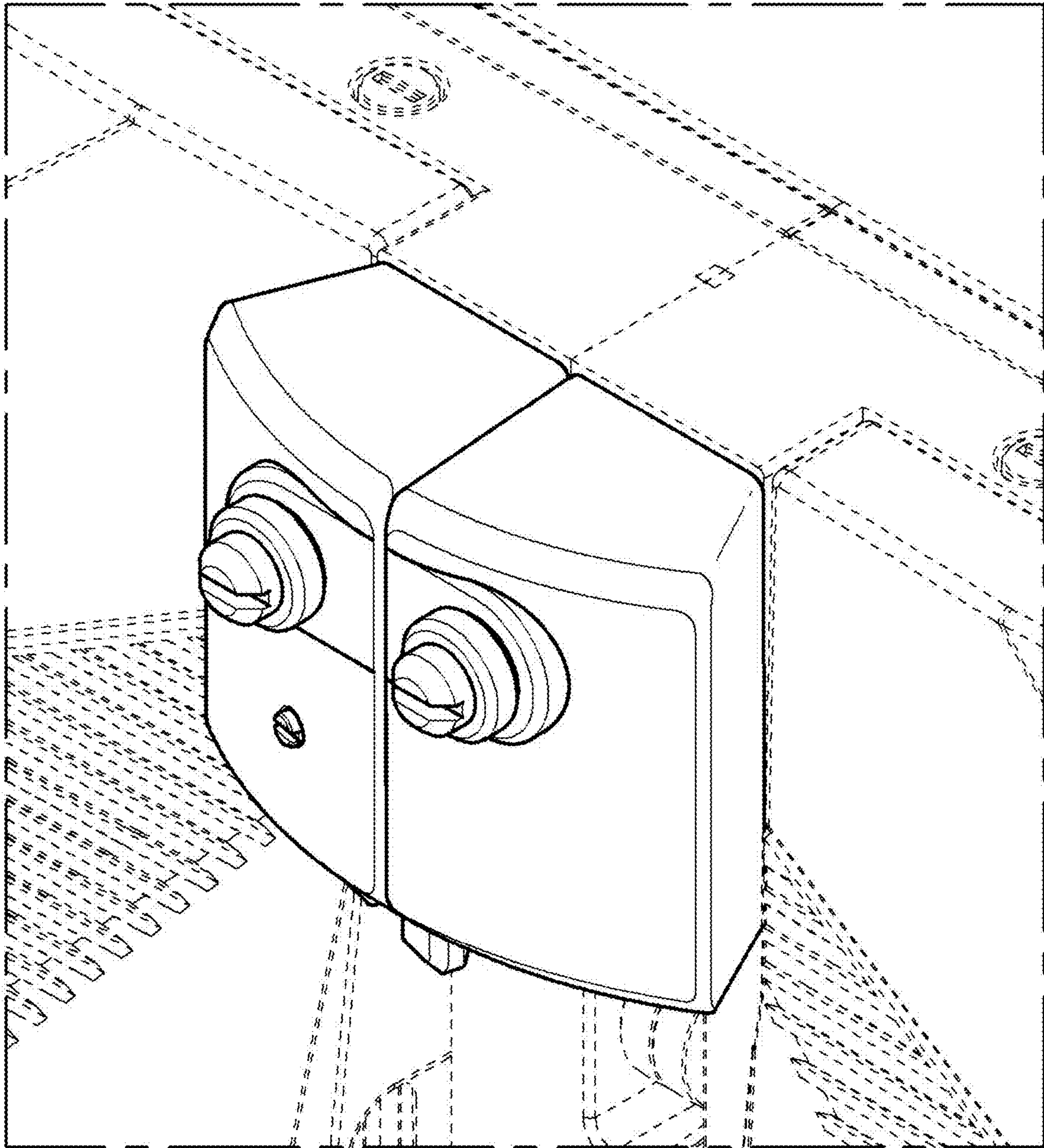
1.7



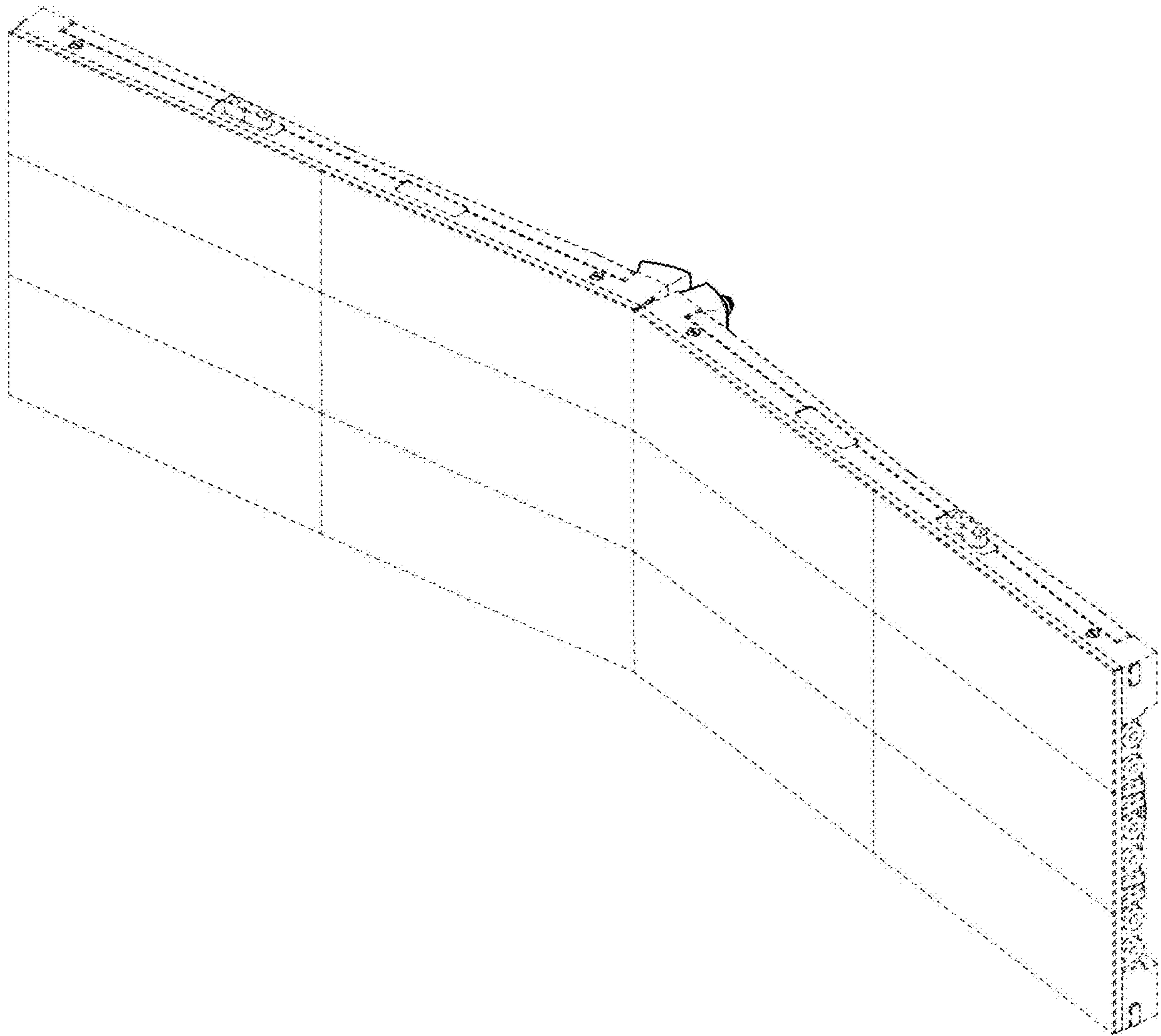
1.8



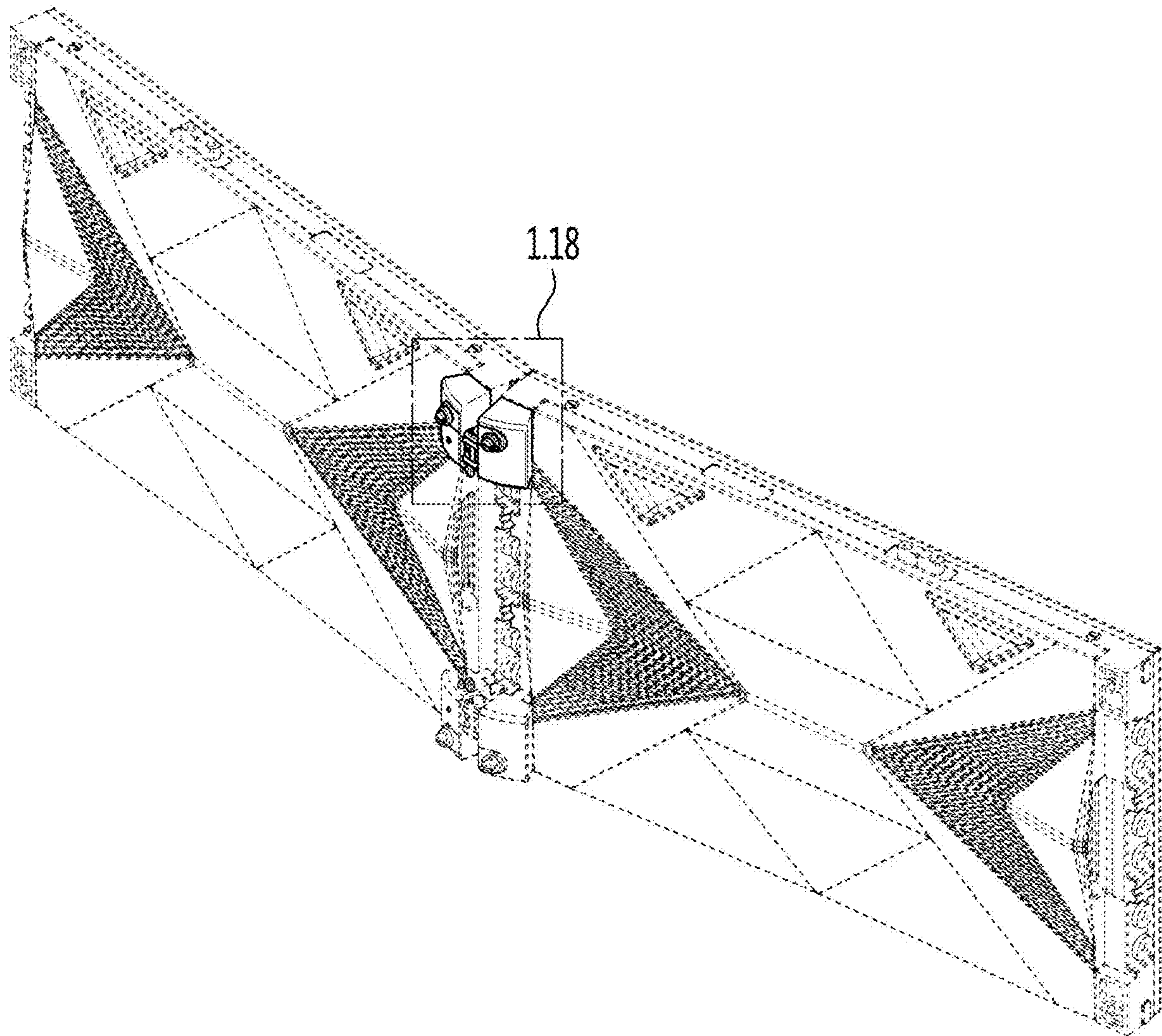
1.9



1.10



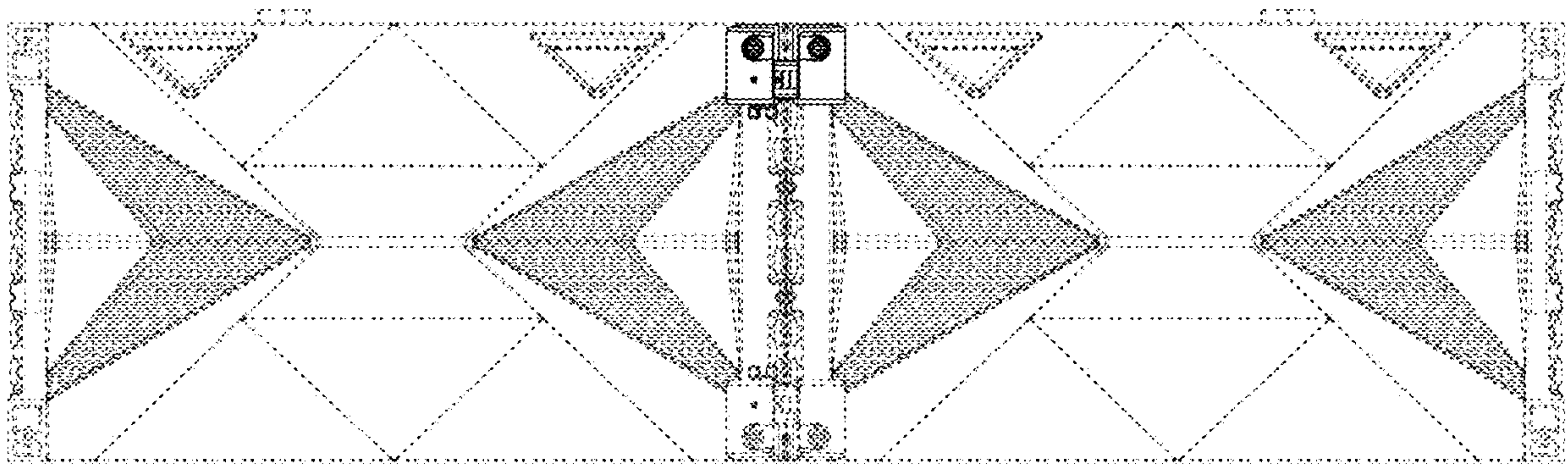
1.11



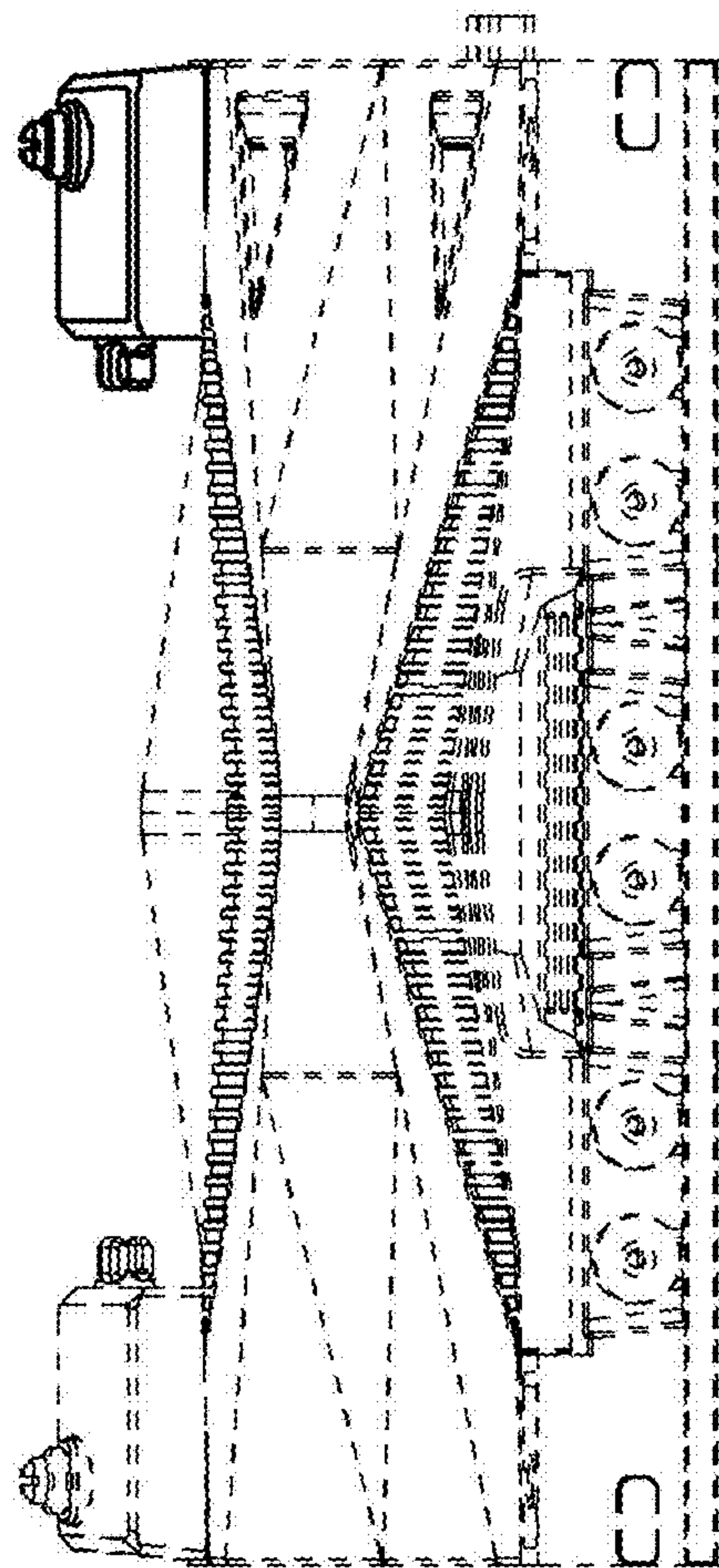
1.12



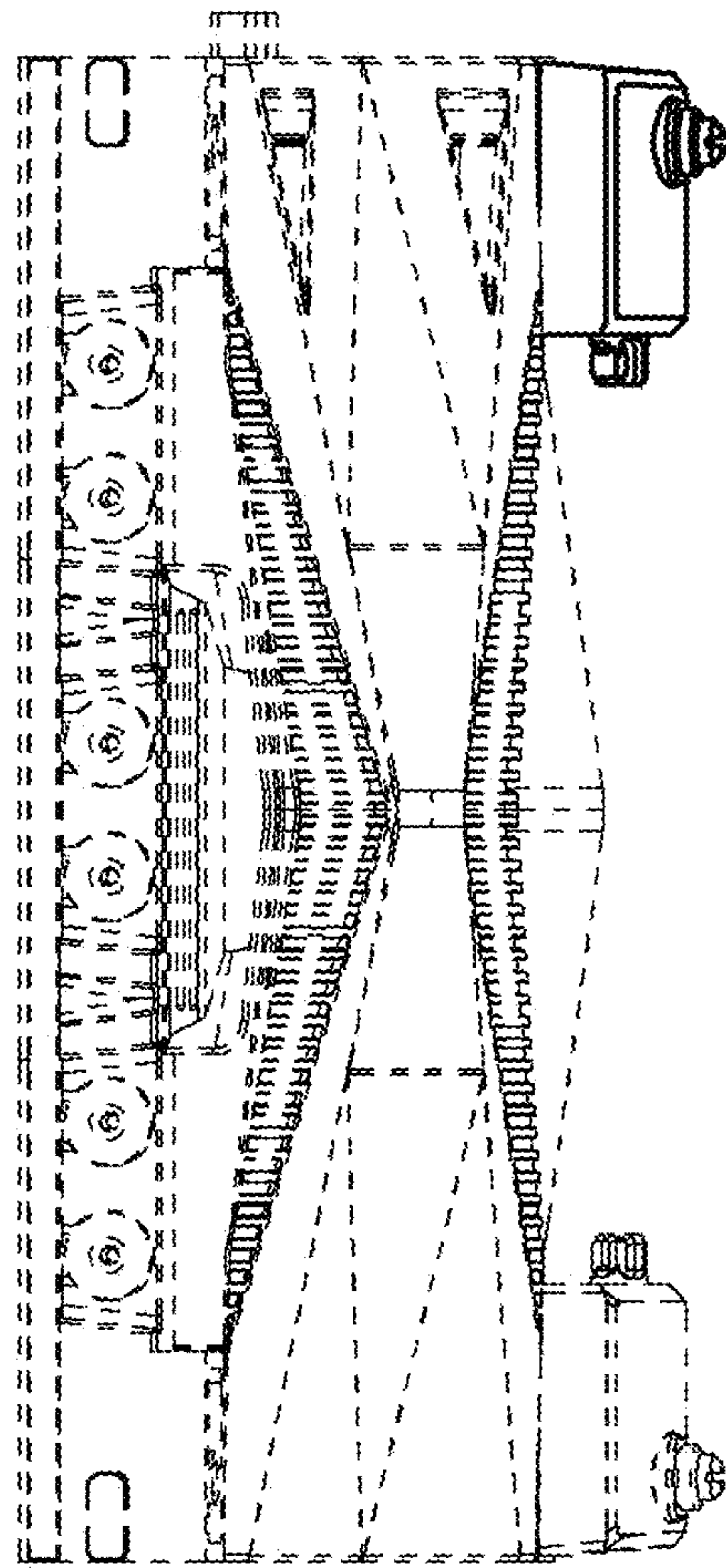
1.13



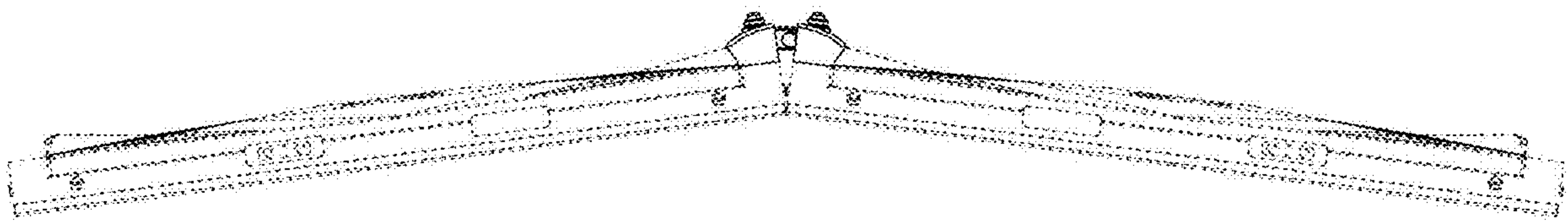
1.14



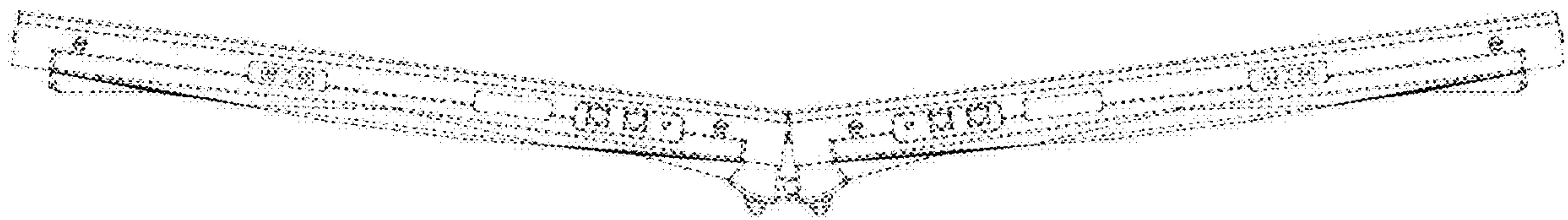
1.15



1.16



1.17



1.18

