



US00D947146S

(12) **United States Design Patent**
Katori et al.

(10) **Patent No.:** **US D947,146 S**
(45) **Date of Patent:** **** Mar. 29, 2022**

(54) **VIDEO RECORDER**

(71) Applicant: **PANASONIC I-PRO SENSING SOLUTIONS CO., LTD.**, Fukuoka (JP)

(72) Inventors: **Takehito Katori**, Osaka (JP); **Masashi Nakamura**, Fukuoka (JP); **Yusuke Mamiya**, Fukuoka (JP); **Takahiro Fukamizu**, Fukuoka (JP)

(73) Assignee: **PANASONIC I-PRO SENSING SOLUTIONS CO., LTD.**, Fukuoka (JP)

(**) Term: **15 Years**

(21) Appl. No.: **29/754,665**

(22) Filed: **Oct. 13, 2020**

(51) **LOC (13) Cl.** **14-03**

(52) **U.S. Cl.**
USPC **D14/125; D14/135**

(58) **Field of Classification Search**
USPC D14/240, 242, 357, 358, 140-140.9, 155, D14/137, 139, 243, 433, 125-134, 239, D14/371, 374-377, 440, 450, 448, 336, D14/342, 159, 314-316, 322, 326, D14/334-335, 339, 340, 341, 356, D14/215-218; D21/329, 515, 333, 331, D21/505; D10/15, 26; D6/300
CPC H04L 12/00; H03K 17/00; H04W 88/00; H04W 88/005; H04W 88/02; H04W 88/08; H04W 88/085; H04W 88/10; H04W 88/12; H04W 88/14; G06F 1/1601; G06F 1/1643; H05K 5/0004; H05K 5/0017; H05K 5/02; H05K 5/0217
See application file for complete search history.

(56) **References Cited**

U.S. PATENT DOCUMENTS

D416,264 S * 11/1999 Althans D14/217
D534,142 S * 12/2006 Nakajima D14/135

D559,239 S * 1/2008 Lee D14/257
D584,253 S * 1/2009 Whittaker D14/125
D585,034 S * 1/2009 Chu D14/126
D640,682 S * 6/2011 Ledbetter D14/257
D669,884 S * 10/2012 Hou D14/214
D703,163 S 4/2014 Katori
D734,804 S * 7/2015 Chung D16/208
D836,581 S * 12/2018 Andresen D14/126

(Continued)

OTHER PUBLICATIONS

ICV4000 In-Car Video System, i-pro.com, [online], [site visited Jan. 13, 2022], Available from internet URL: <https://i-pro.com/us/en/publicsafety/products/vehicle-camera-systems/> (Year: 2022).*

(Continued)

Primary Examiner — Samantha Q Lawrence

Assistant Examiner — Holly M Rodriguez

(74) *Attorney, Agent, or Firm* — Greenblum & Bernstein, P.L.C.

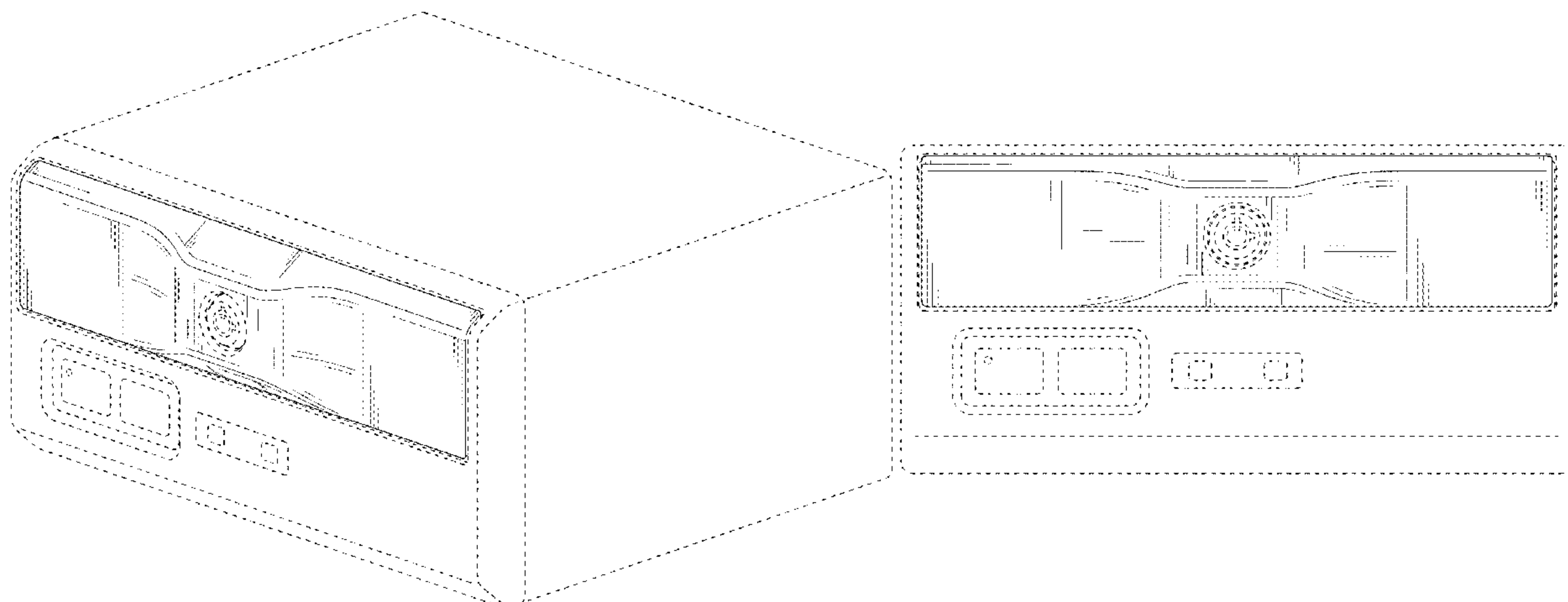
(57) **CLAIM**

The ornamental design for a video recorder, as shown and described.

DESCRIPTION

FIG. 1 is a perspective view of the front, right, and top sides of a video recorder of our new design;
FIG. 2 is a front view thereof;
FIG. 3 is a rear view thereof;
FIG. 4 is a left side view thereof;
FIG. 5 is a right side view thereof;
FIG. 6 is a top plan view thereof; and,
FIG. 7 is a bottom plan view thereof.
The broken lines shown in the drawings illustrate portions of the video recorder that form no part of the claimed design.

1 Claim, 7 Drawing Sheets



(56)

References Cited

U.S. PATENT DOCUMENTS

D865,839 S	*	11/2019	Hasegawa	D16/203
D872,158 S	*	1/2020	Bytyqi	D16/202
D907,595 S	*	1/2021	Duys	D14/125
D928,107 S	*	8/2021	Wang	D14/130
D932,534 S	*	10/2021	Su	D16/202
D937,798 S	*	12/2021	Bailey	D14/130
D938,380 S	*	12/2021	Wang	D14/130

OTHER PUBLICATIONS

M500 Police In-Car Video System, motorolasolutions.com, [online], [site visited Jan. 13, 2022], Available from internet URL: https://www.motorolasolutions.com/en_xu/video-security-access-control/in-car-video-systems.html (Year: 2022).*

10-8 Video—In-Car Video System (Dual Cam, Mic Pack Included), sirenworld.com/, [online], [site visited Jan. 13, 2022], Available

from internet URL: <https://sirenworld.com/products/10-8-video-in-car-video-system> (Year: 2022).*

The AS-1 Arbitrator In-Vehicle Video Camera, first available Feb. 15, 2019, officer.com, [online], [site visited Jan. 13, 2022], Available from internet URL: (Year: 2019).*

<https://www.officer.com/vehicles-fleet/vehicles-equipment/in-car-video/product/21067907/panasonic-system-communications-co-of-north-america-toughbooks-the-as1-arbitrator-invehicle-video-camera> (Year: 2019).*

New Panasonic i-PRO Sensing Solutions In-car Video System Takes Mobile Video Recording Technology Into the Future, first available Aug. 18, 2021, officer.com, [online], [site visited Jan. 13, 2022], Available from internet URL: (Year: 2021).*

<https://www.officer.com/vehicles-fleet/vehicles-equipment/in-car-video/press-release/21234889/ipro-panasonic-ipro-sensing-solutions-corporation-of-america-pipsa-new-panasonic-ipro-sensing-solutions-incar-video-system-takes-mobile-video-recording-technology-into-the-future> (Year: 2021).*

* cited by examiner

FIG. 1

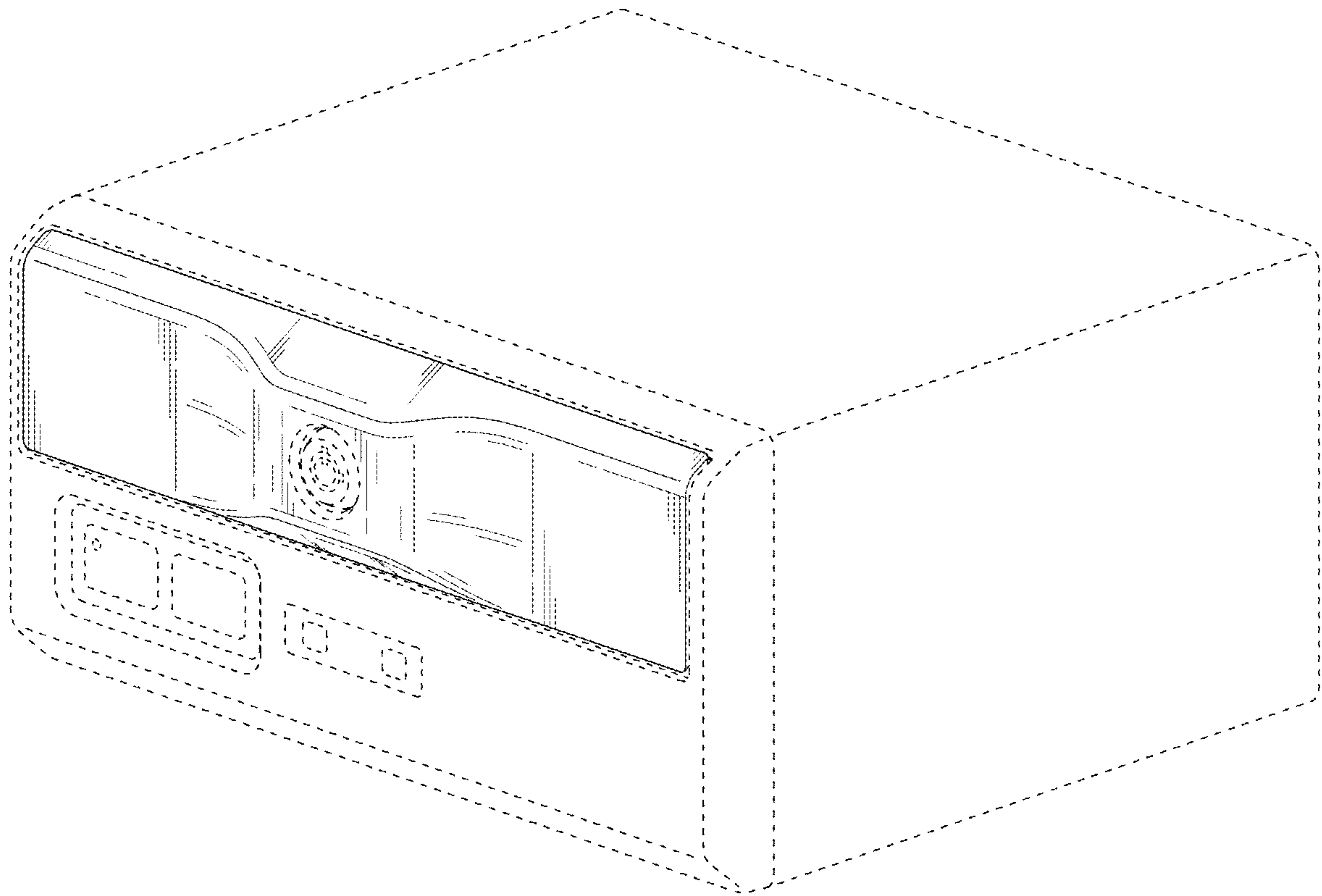


FIG. 2

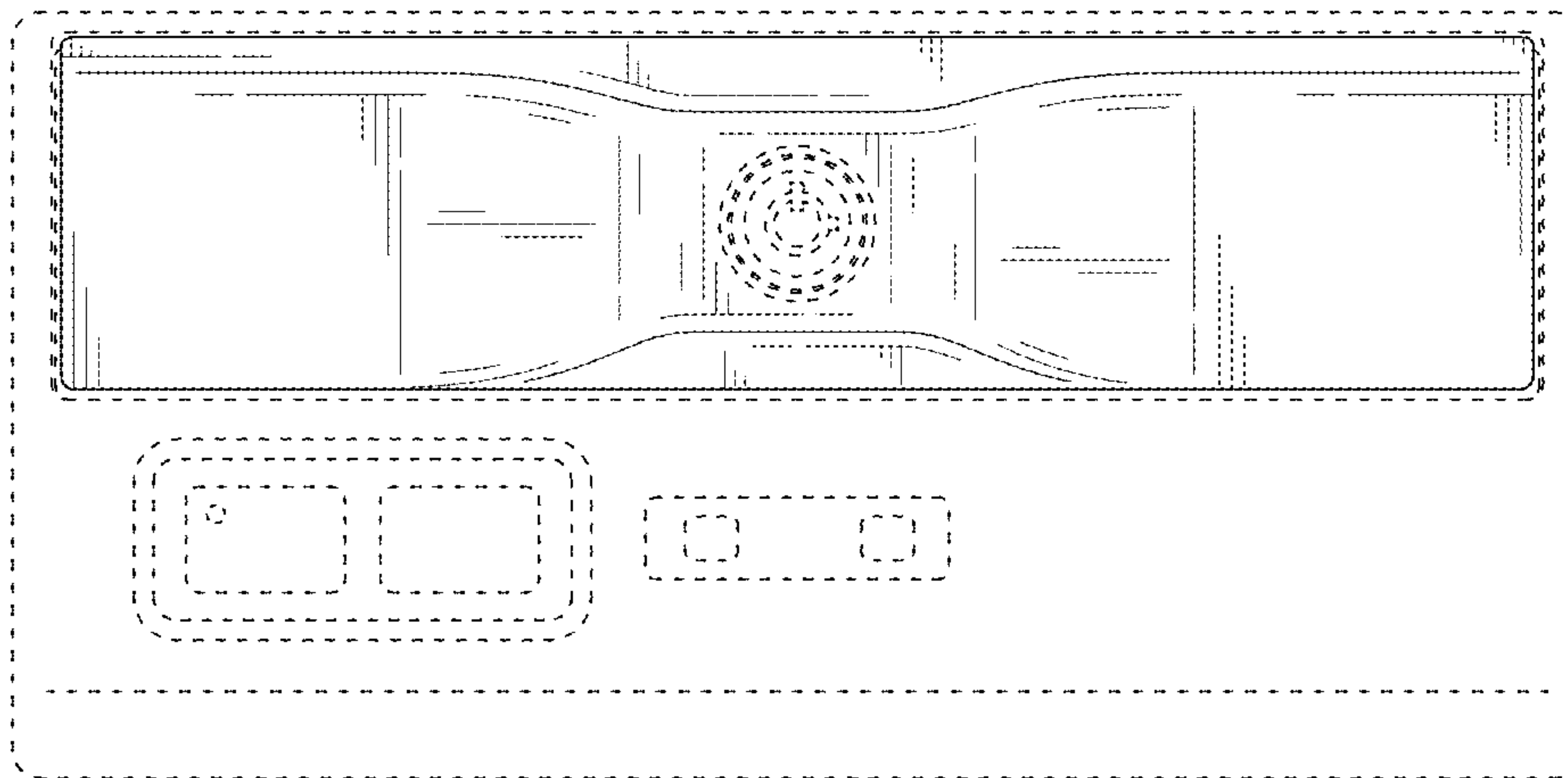


FIG. 3



FIG. 4



FIG. 5



FIG. 6

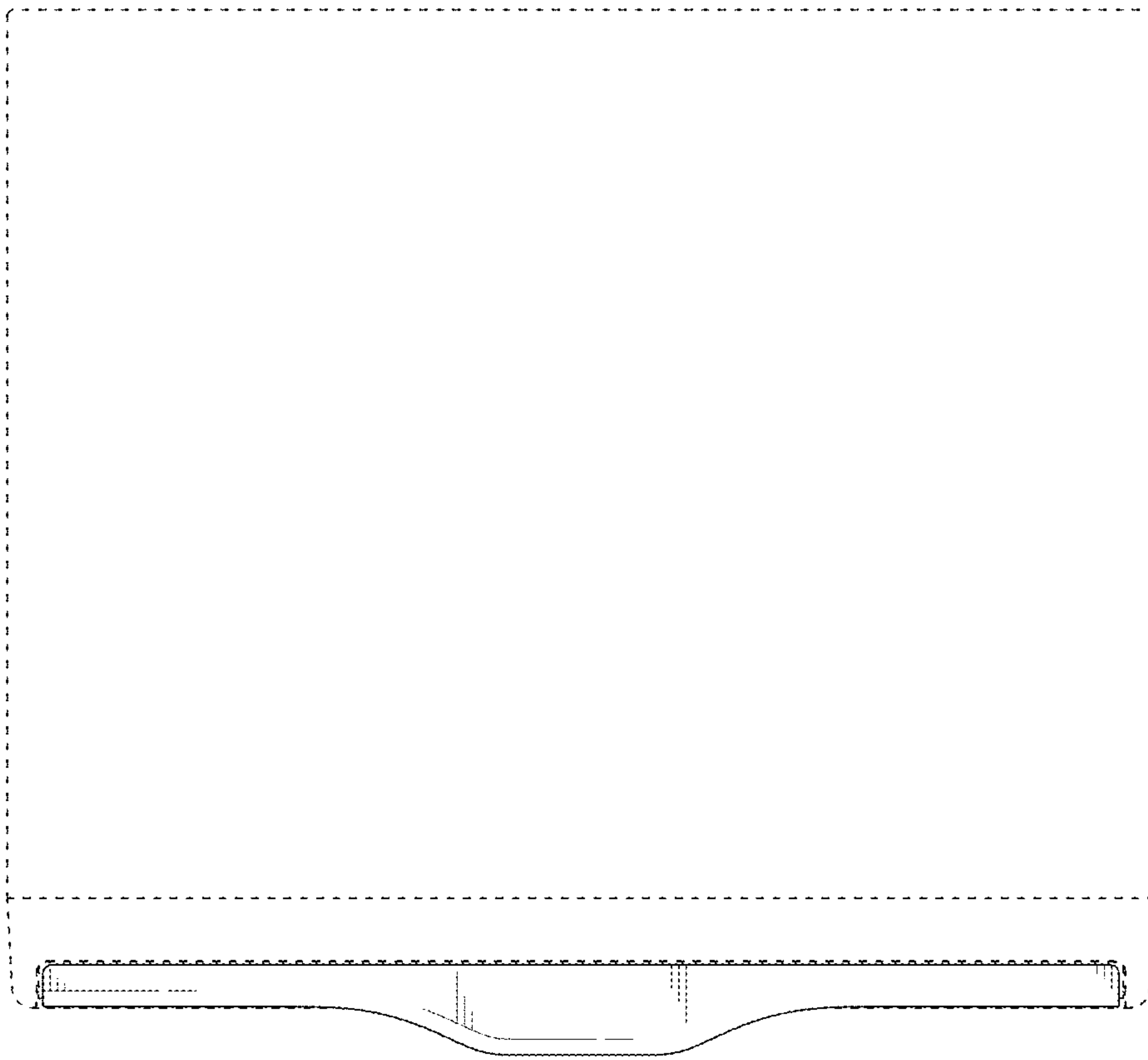


FIG. 7

