



US00D947144S

(12) **United States Design Patent**
Saito et al.

(10) **Patent No.:** **US D947,144 S**
(45) **Date of Patent:** **** Mar. 29, 2022**

(54) **VIBRATION ELEMENT FOR A HAPTIC ACTUATOR**

(71) Applicant: **TDK CORPORATION**, Tokyo (JP)

(72) Inventors: **Kazuki Saito**, Tokyo (JP); **Kaoru Kijima**, Tokyo (JP)

(73) Assignee: **TDK CORPORATION**, Tokyo (JP)

(**) Term: **15 Years**

(21) Appl. No.: **29/712,312**

(22) Filed: **Nov. 7, 2019**

(30) **Foreign Application Priority Data**

May 10, 2019 (JP) 2019-010151
May 10, 2019 (JP) 2019-010152
May 10, 2019 (JP) 2019-010153

(51) **LOC (13) Cl.** **13-03**

(52) **U.S. Cl.**
USPC **D13/182; D13/199**

(58) **Field of Classification Search**
USPC D13/173, 174, 182, 199
(Continued)

(56) **References Cited**

U.S. PATENT DOCUMENTS

4,742,264 A * 5/1988 Ogawa H04R 17/00
310/332
D305,022 S * 12/1989 Hallgren D13/171
(Continued)

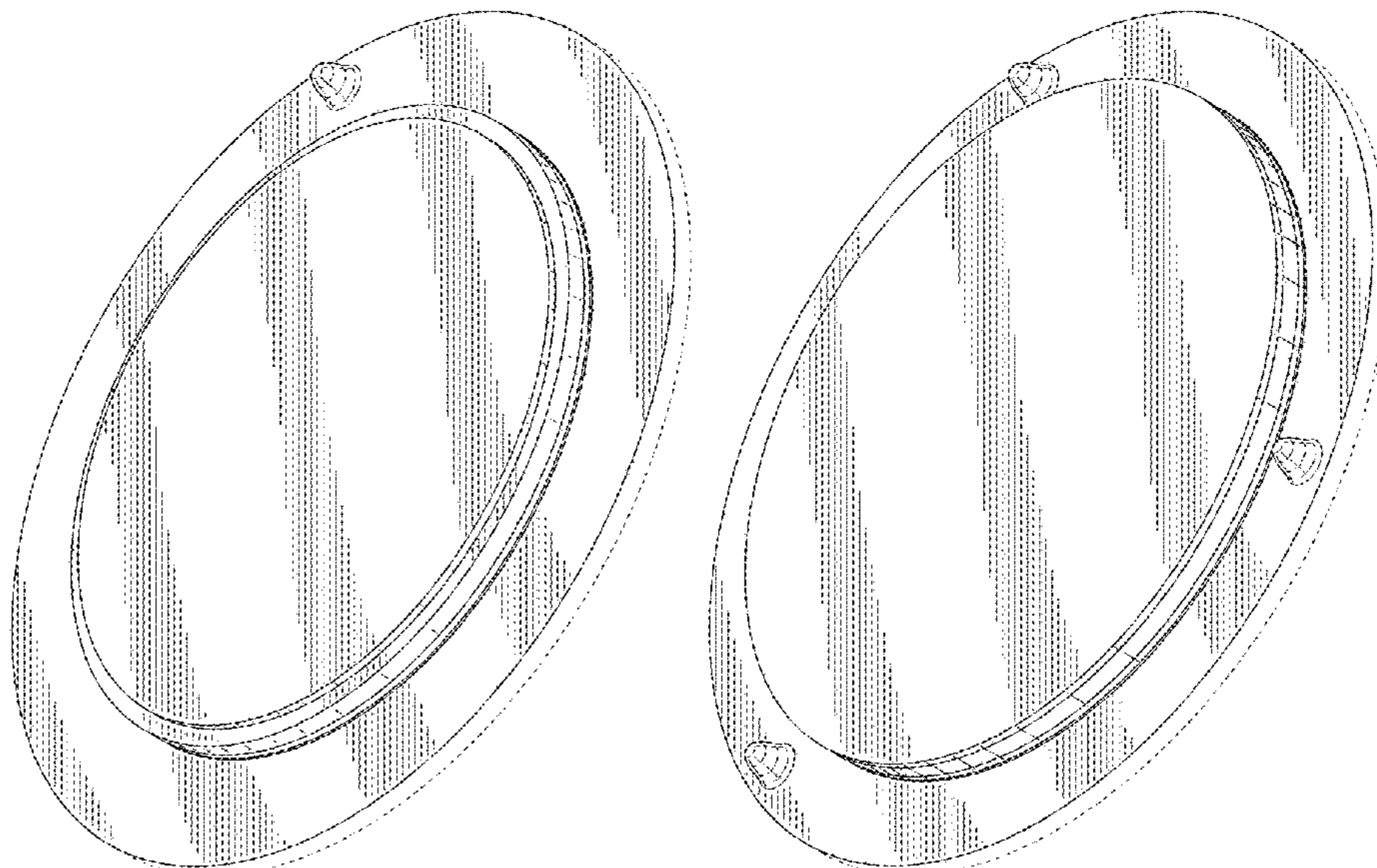
Primary Examiner — Selina Sikder
(74) *Attorney, Agent, or Firm* — Oliff PLC

(57) **CLAIM**
The ornamental design for a vibration element for a haptic actuator, as shown and described.

DESCRIPTION

FIG. 1 is a front view of a vibration element for a haptic actuator of the present invention; FIG. 2 is a rear view thereof; FIG. 3 is a top plan view thereof; FIG. 4 is a bottom plan view thereof; FIG. 5 is a right side view thereof; FIG. 6 is a left side view thereof; FIG. 7 is a perspective view thereof; FIG. 8 is a sectional view taken along lines 8-8 in FIG. 1; FIG. 9 is a perspective view thereof showing the vibration element for a haptic actuator in use. FIG. 10 is a front view of a second embodiment of a vibration element for a haptic actuator of the present invention; FIG. 11 is a rear view thereof; FIG. 12 is a top plan view thereof; FIG. 13 is a bottom view thereof; FIG. 14 is a right side view thereof; FIG. 15 is a left side view thereof; FIG. 16 is a perspective view thereof; FIG. 17 is a sectional view taken along lines 17-17 in FIG. 10; FIG. 18 is a perspective view thereof showing the vibration element for a haptic actuator in use. FIG. 19 is a front view of a third embodiment of a vibration element for a haptic actuator of the present invention; FIG. 20 is a rear view thereof; FIG. 21 is a top plan view thereof; FIG. 22 is a bottom view thereof; FIG. 23 is a right side view thereof; FIG. 24 is a left side view thereof; FIG. 25 is a perspective view thereof; FIG. 26 is a sectional view taken along lines 26-26 in FIG. 19; and, FIG. 27 is a perspective view thereof showing the vibration element for a haptic actuator in use. The features shown in broken lines depict environmental subject matter only and form no part of the claimed design.

1 Claim, 27 Drawing Sheets



(58) **Field of Classification Search**
 CPC H01L 41/02; H01L 41/04; H01L 41/0474;
 H01L 41/053; H01L 41/09
 See application file for complete search history.

(56) **References Cited**

U.S. PATENT DOCUMENTS

5,354,985 A * 10/1994 Quate G01Q 60/22
 250/234
 5,444,244 A * 8/1995 Kirk G01Q 20/04
 850/9
 5,742,377 A * 4/1998 Minne G03F 7/70358
 355/71
 6,028,305 A * 2/2000 Minne G01Q 70/06
 250/234
 D427,570 S * 7/2000 Ishii D13/182
 6,307,300 B1 * 10/2001 Yamamoto H04R 1/06
 310/322
 6,489,705 B1 * 12/2002 Ouyang H02N 2/001
 310/316.01
 6,827,979 B2 * 12/2004 Mirkin B82Y 40/00
 427/256
 7,161,148 B1 * 1/2007 Givargizov G01Q 70/12
 117/101
 7,570,254 B2 * 8/2009 Suzuki G05G 1/10
 345/184
 D616,390 S * 5/2010 Sato D13/182
 7,973,456 B2 * 7/2011 Tanaka H01L 41/1873
 310/358
 D651,992 S * 1/2012 Nishiguchi D13/182
 D724,553 S * 3/2015 Choi D13/182
 9,935,256 B2 * 4/2018 Nanao C04B 35/62625

D830,981 S * 10/2018 Jeong D13/182
 D837,755 S * 1/2019 Riker D13/182
 D838,302 S * 1/2019 Kijima D15/147
 D847,768 S * 5/2019 Kijima D13/174
 D848,959 S * 5/2019 Kijima D13/174
 D933,616 S * 10/2021 Ohta D13/174
 2004/0155557 A1 * 8/2004 Sawada B06B 1/0688
 310/311
 2007/0057601 A1 * 3/2007 Kawase H04R 17/00
 310/328
 2007/0138914 A1 * 6/2007 Ishikawa F04B 43/046
 310/328
 2011/0163637 A1 * 7/2011 Hashi H03H 9/21
 310/344
 2012/0119617 A1 * 5/2012 Takahashi H01L 41/0973
 310/317
 2013/0068038 A1 * 3/2013 Bolender H03K 17/962
 73/862.626
 2013/0278111 A1 * 10/2013 Sammoura H01L 41/09
 310/317
 2015/0015118 A1 * 1/2015 Kamijo H03H 9/1021
 310/344
 2017/0111027 A1 * 4/2017 Il H03H 9/1021
 2017/0111028 A1 * 4/2017 McCarron C30B 25/186
 2018/0062616 A1 * 3/2018 Kijima H01L 41/0474
 2018/0069168 A1 * 3/2018 Ikeuchi H01L 41/09
 2018/0138390 A1 * 5/2018 Sanada G01L 1/16
 2018/0198054 A1 * 7/2018 Clingman H01L 41/25
 2018/0233652 A1 * 8/2018 Kijima H01L 41/083
 2019/0019940 A1 * 1/2019 Hayashi H01L 41/1871
 2021/0001381 A1 * 1/2021 Qiu B06B 1/0603
 2021/0343925 A1 * 11/2021 Saito H01L 41/09
 2021/0355930 A1 * 11/2021 Tanaka F04B 53/1075

* cited by examiner

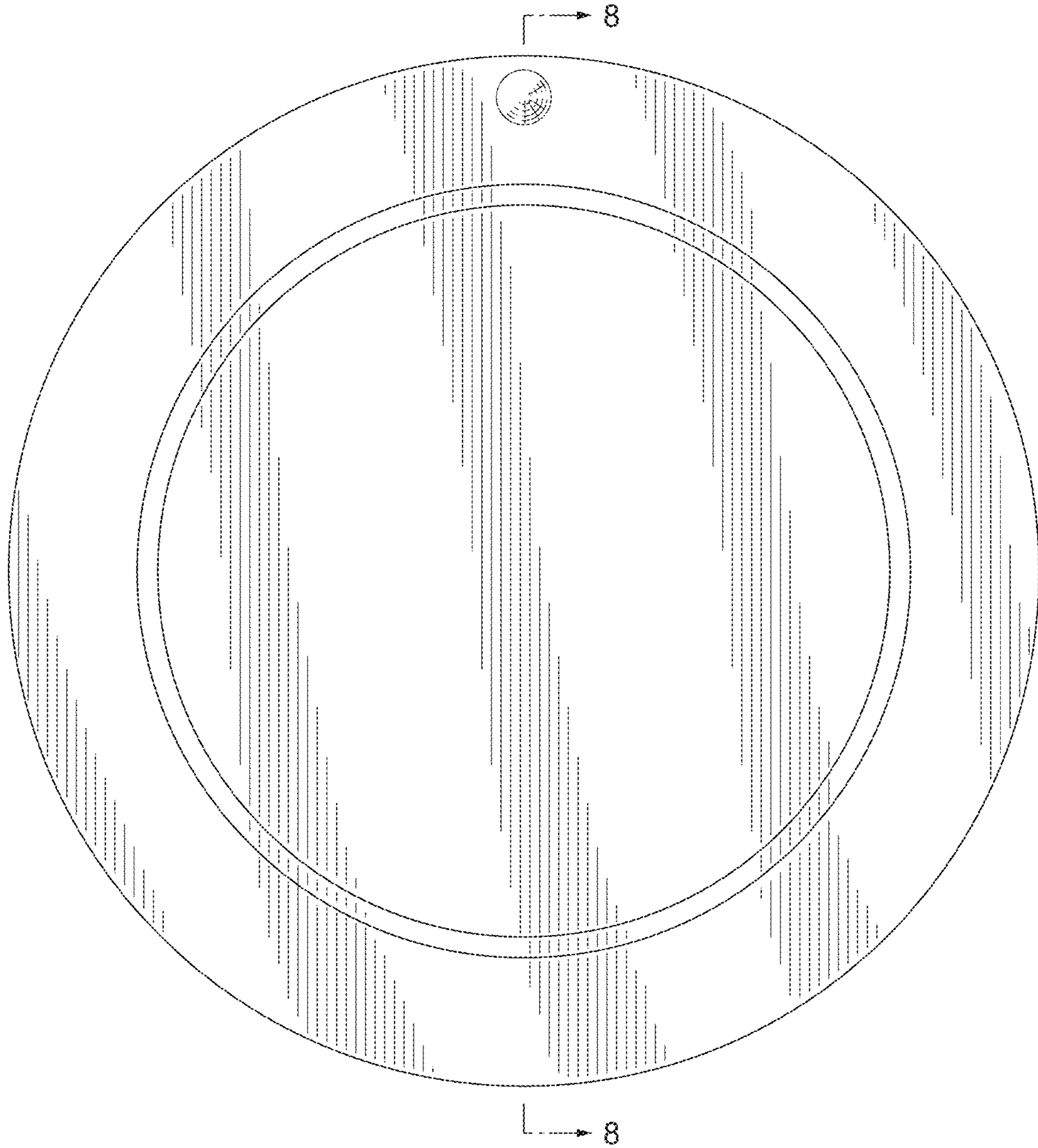


FIG. 1

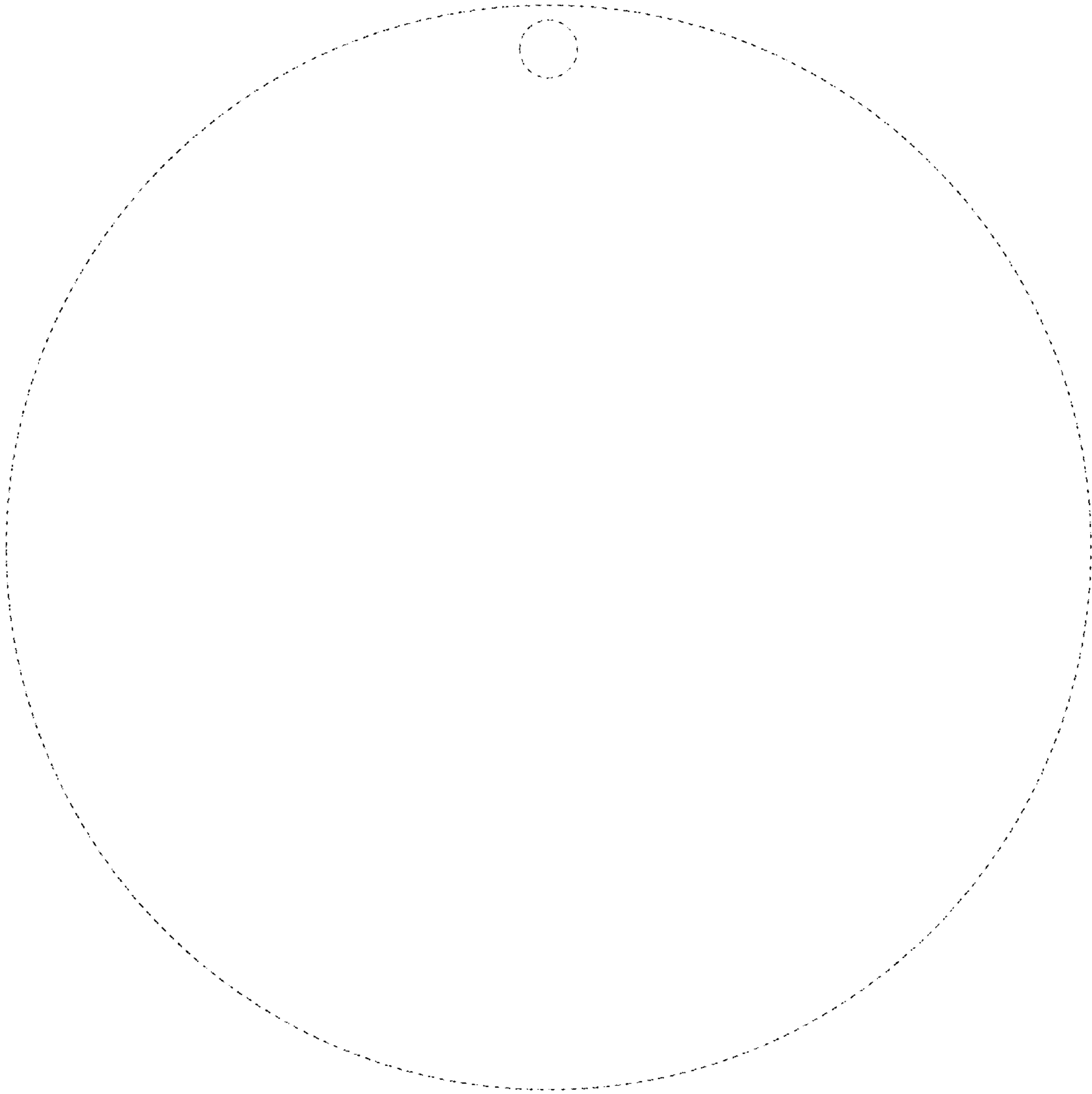


FIG. 2

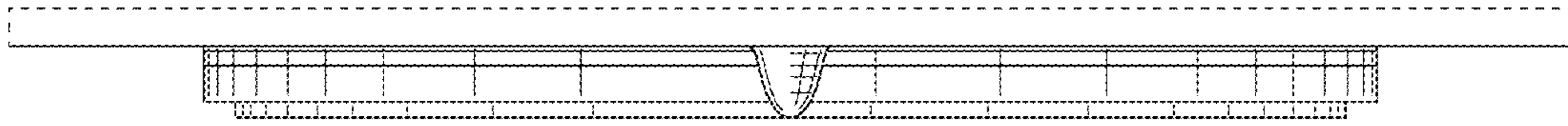


FIG. 3

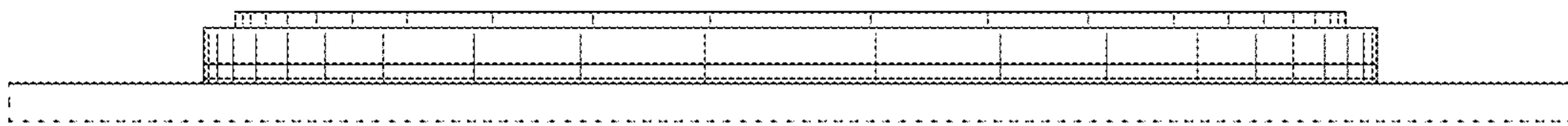


FIG. 4

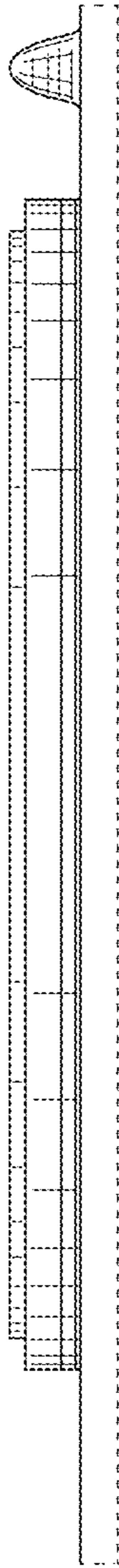


FIG. 5

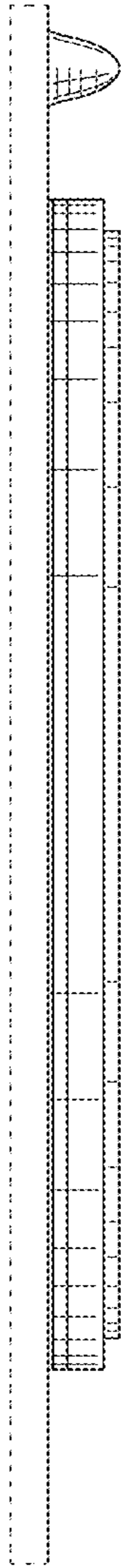


FIG. 6

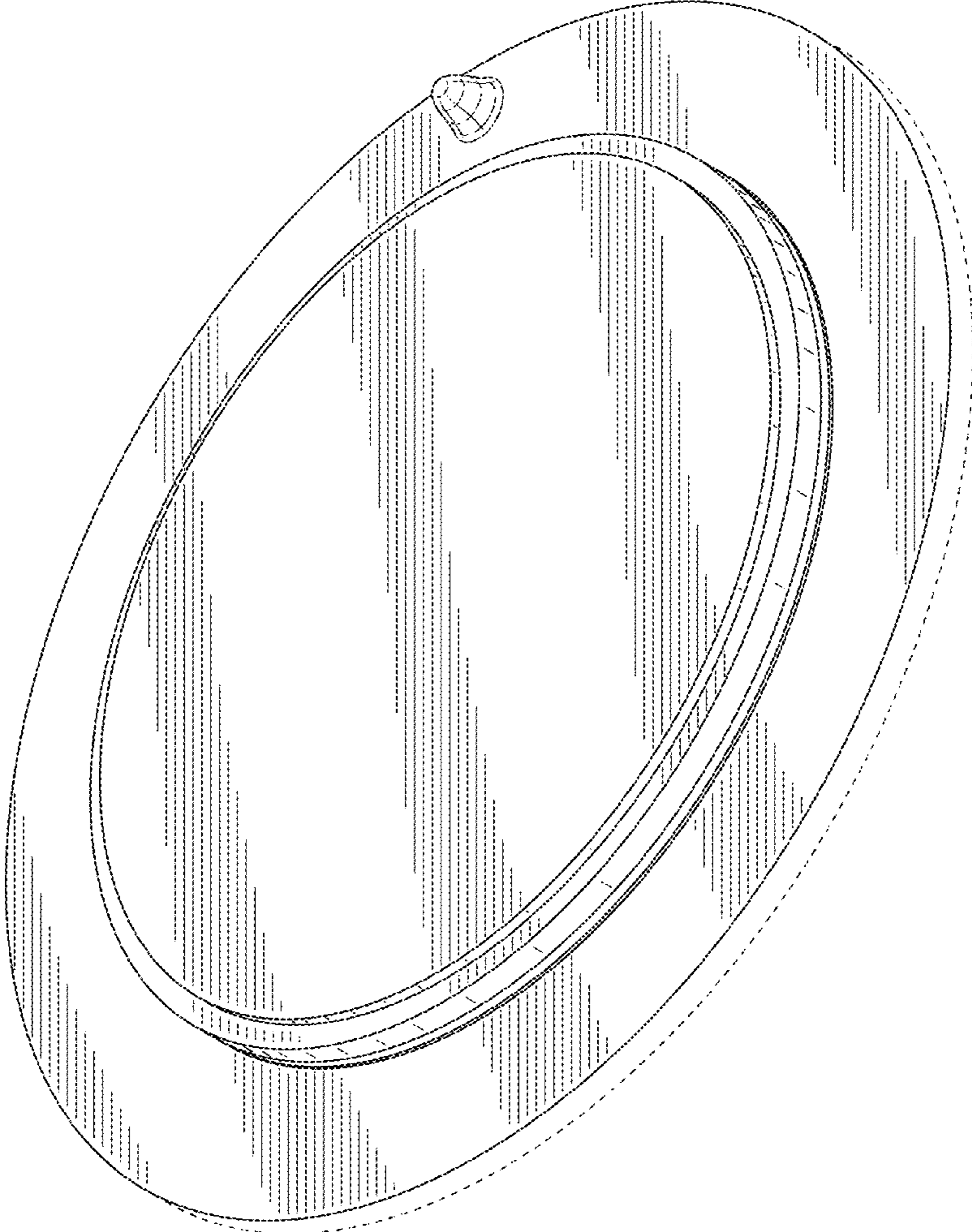


FIG. 7

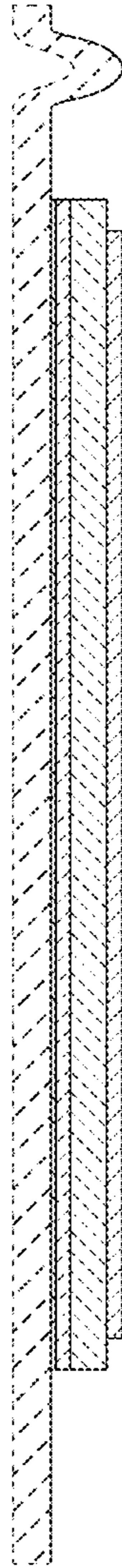


FIG. 8

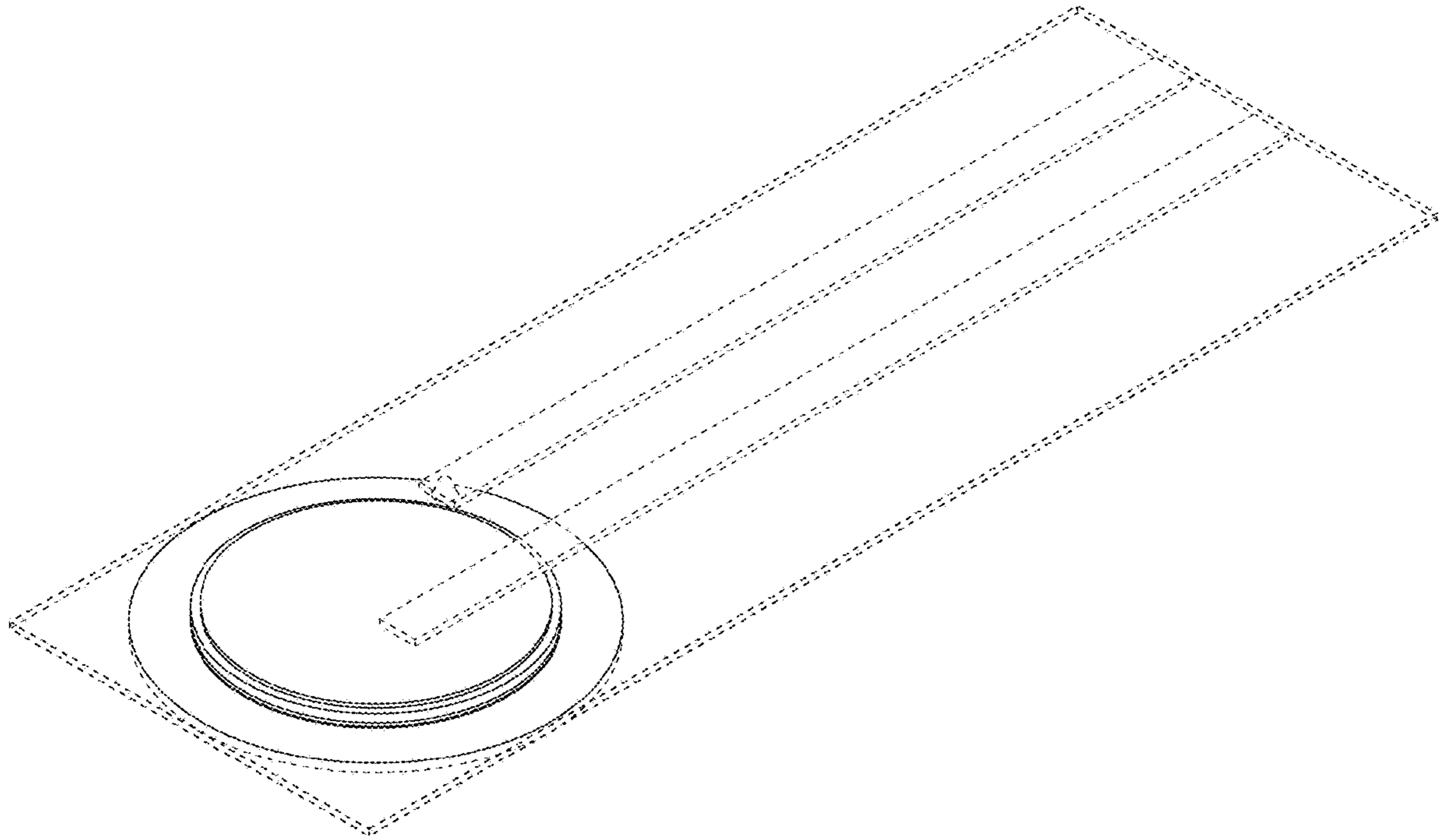


FIG. 9

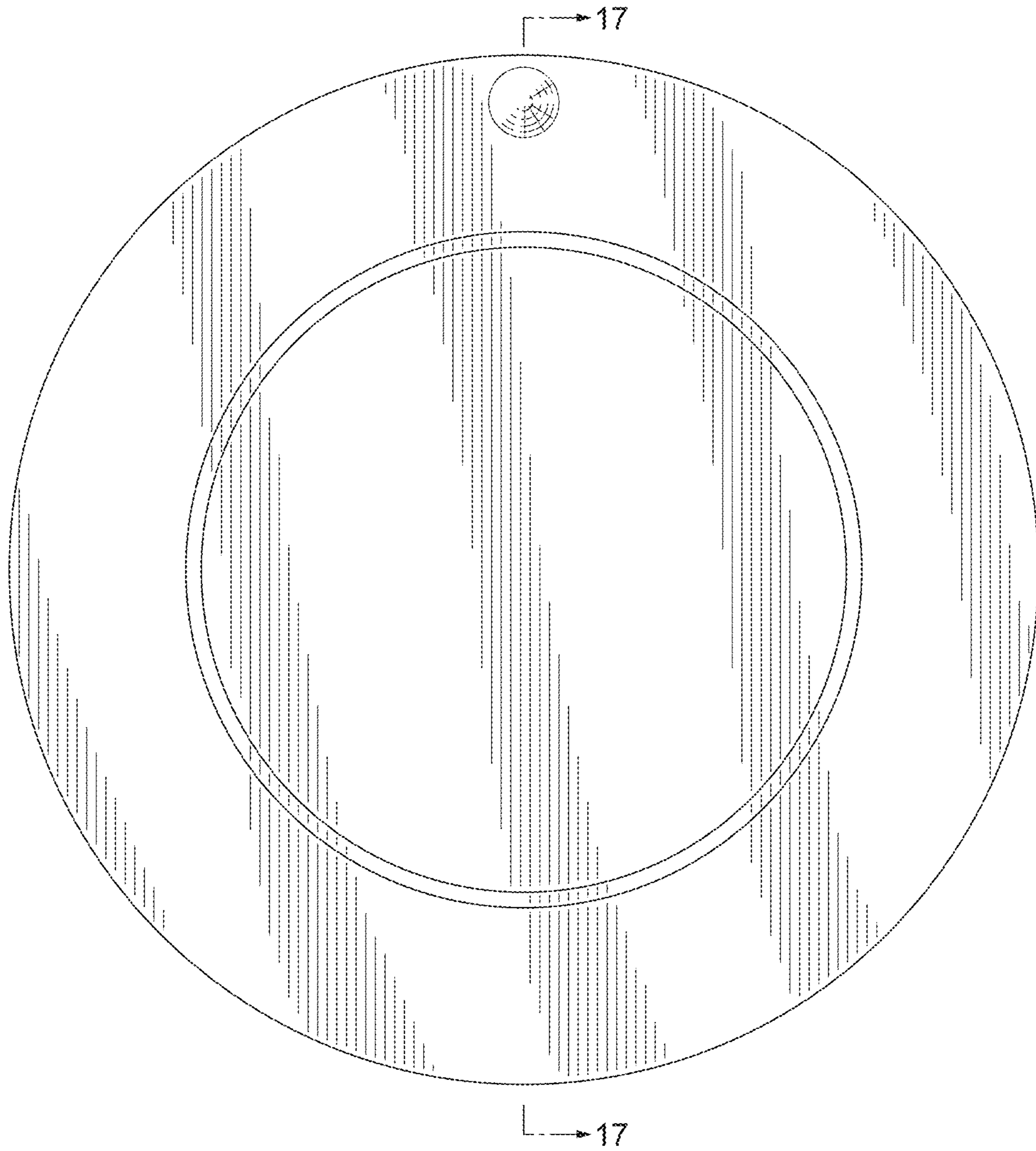


FIG. 10

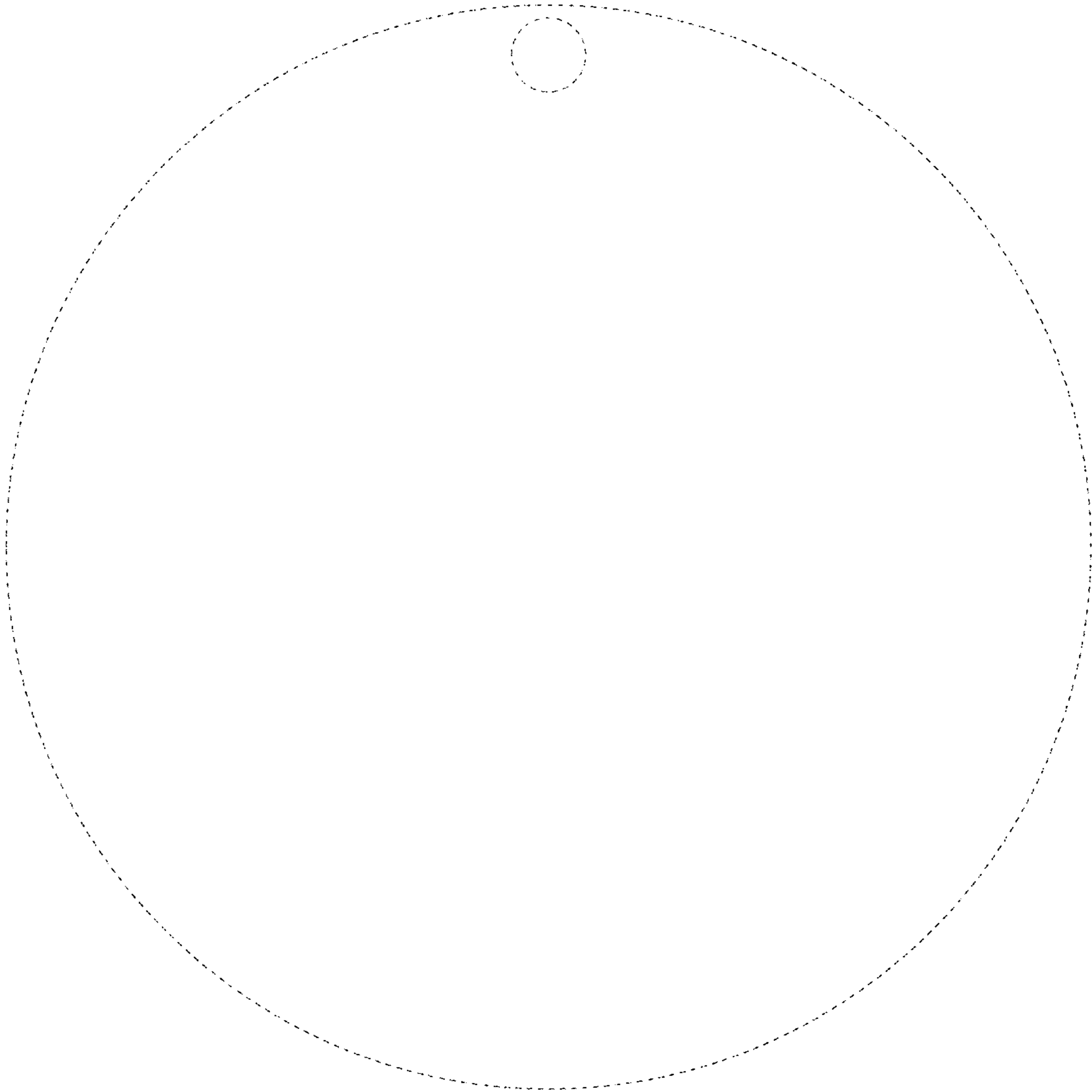


FIG. 11



FIG. 12

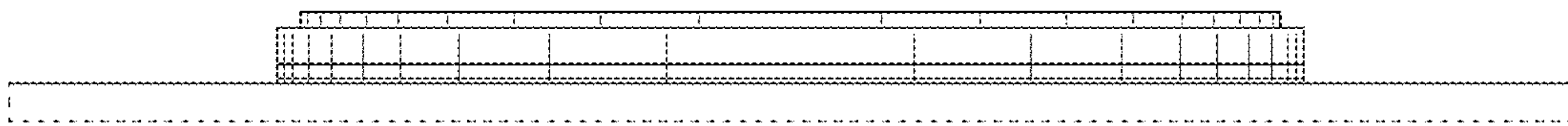


FIG. 13

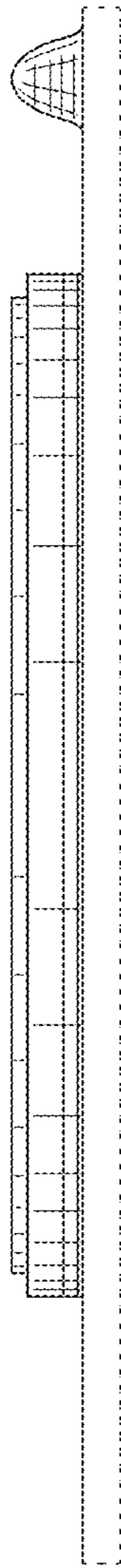


FIG. 14

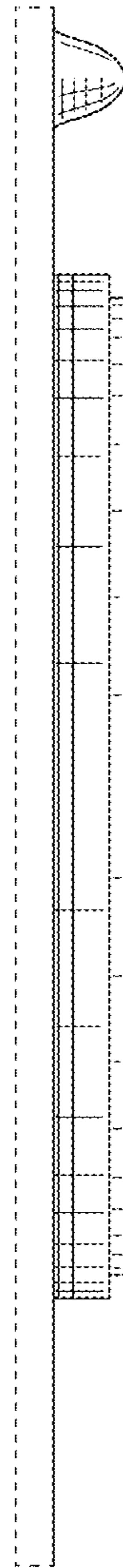


FIG. 15

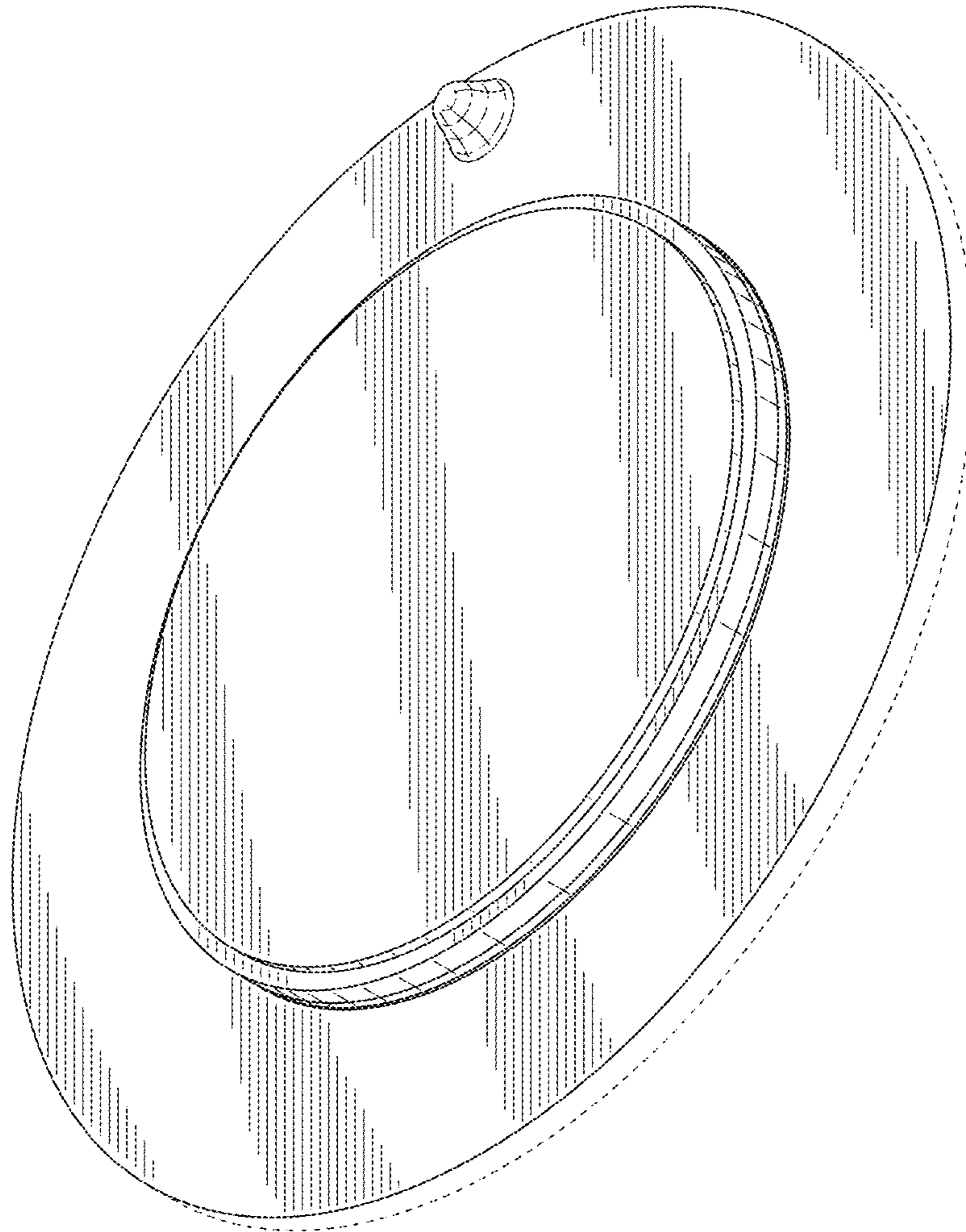


FIG. 16

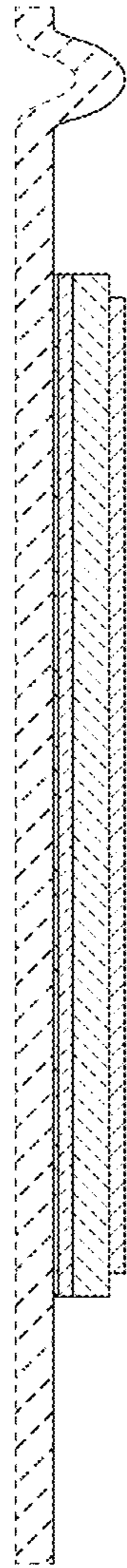


FIG. 17

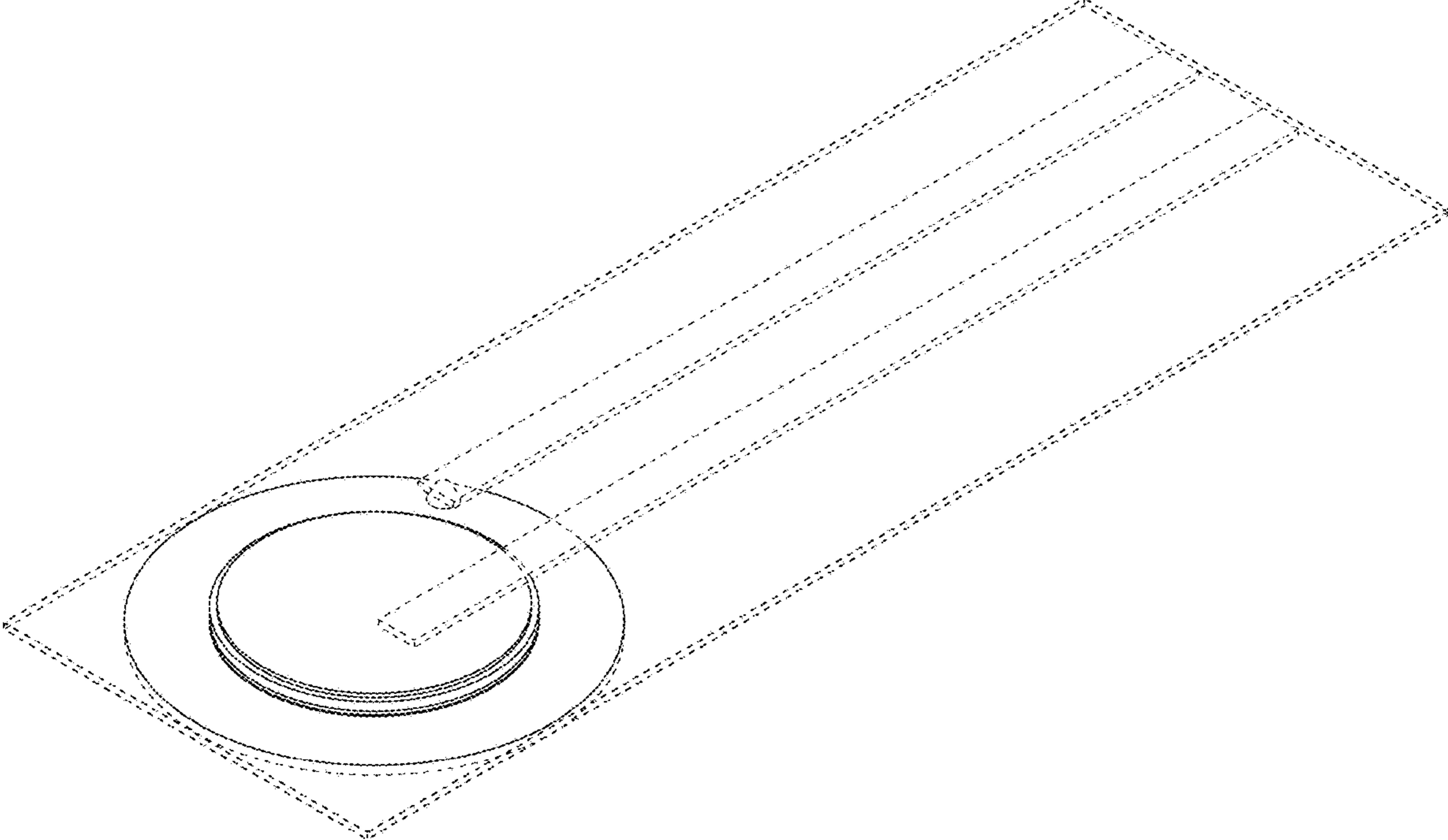


FIG. 18

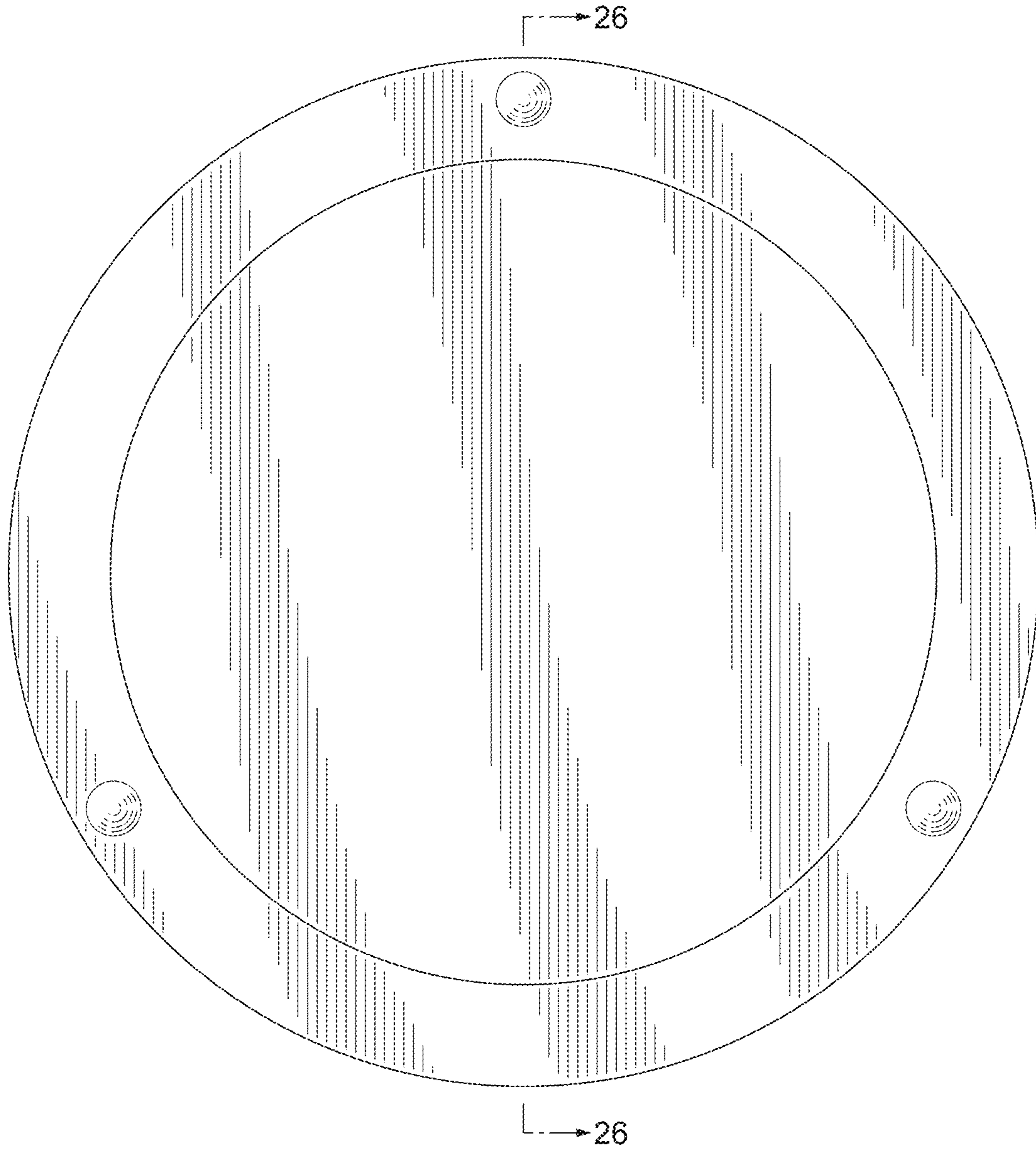


FIG. 19

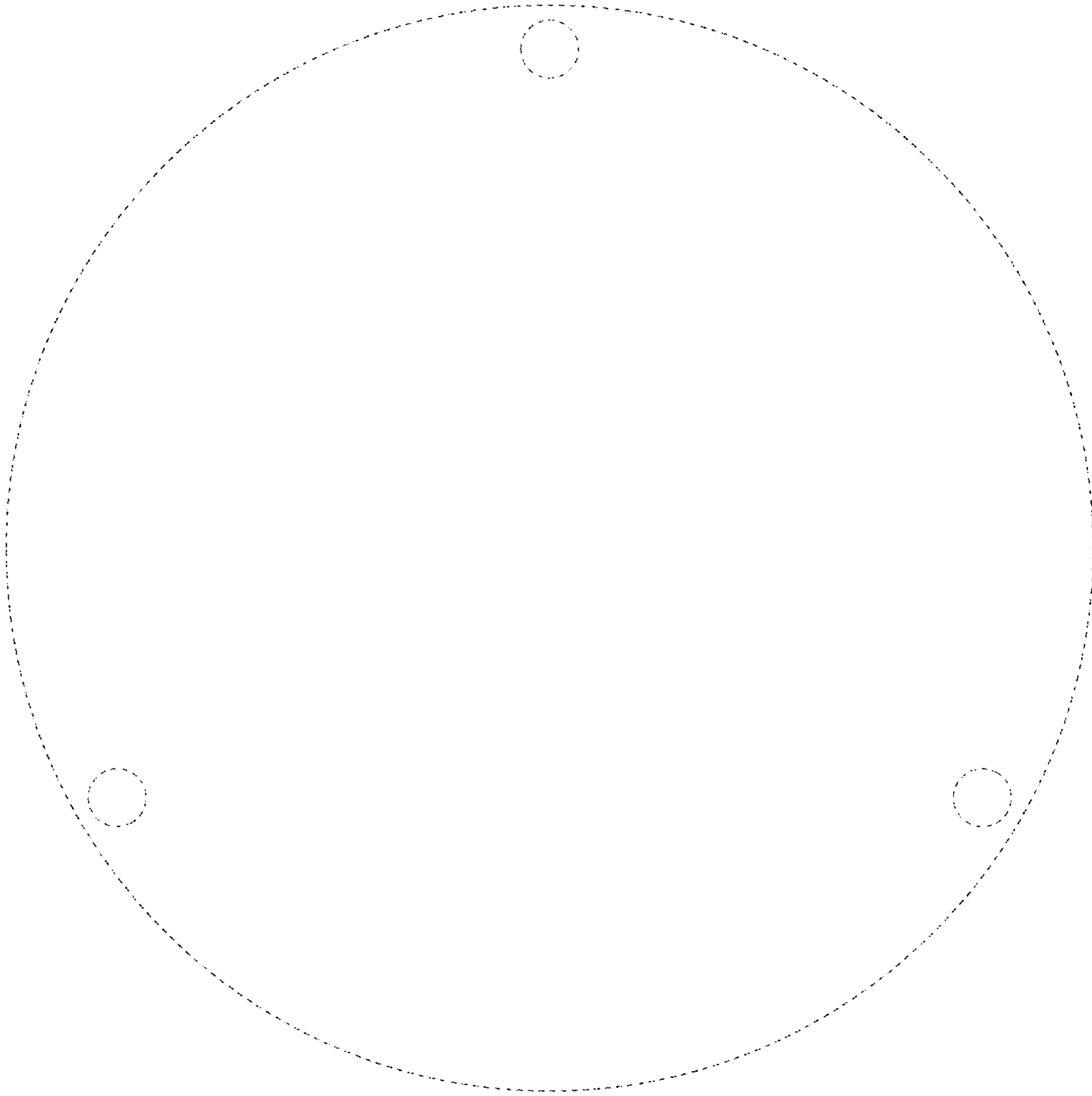


FIG. 20

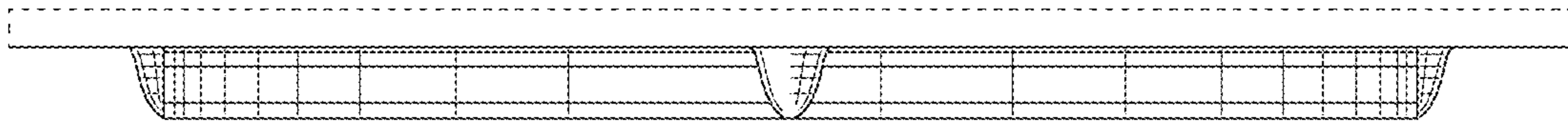


FIG. 21

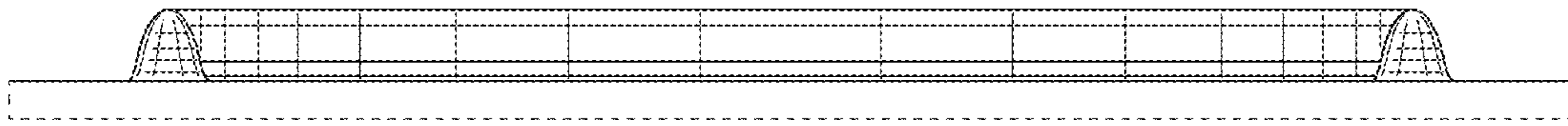


FIG. 22

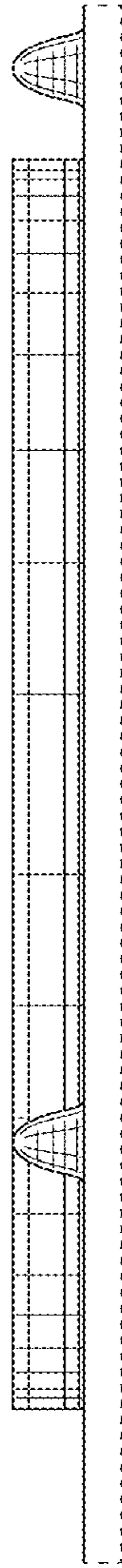


FIG. 23

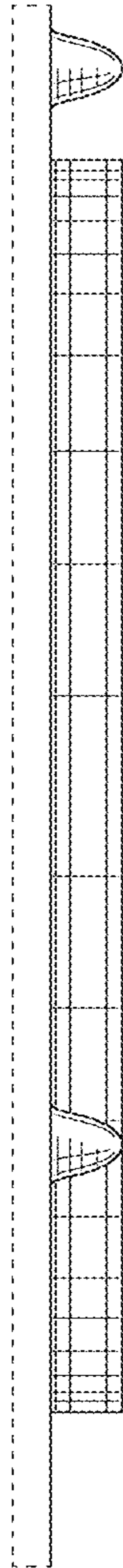


FIG. 24

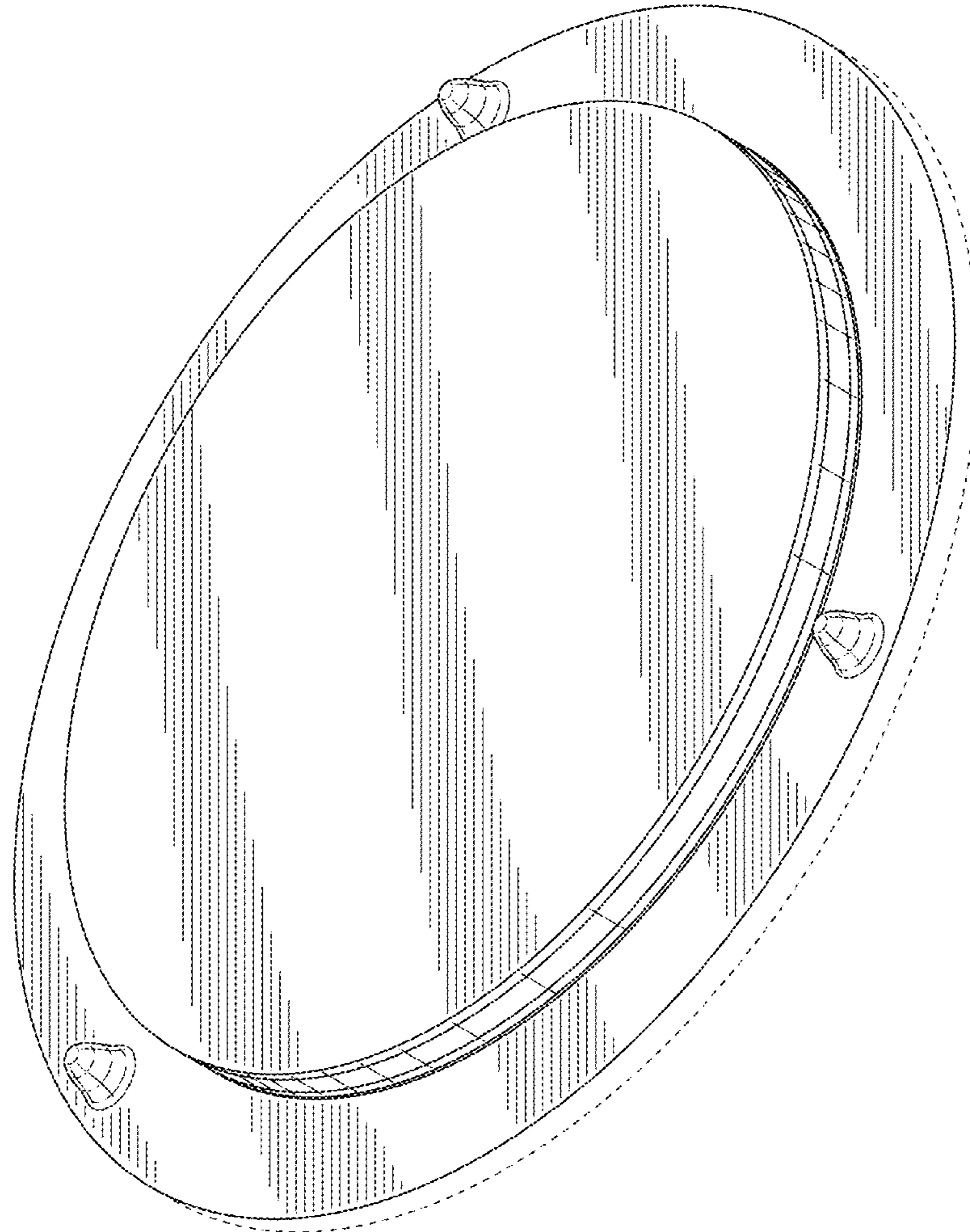


FIG. 25

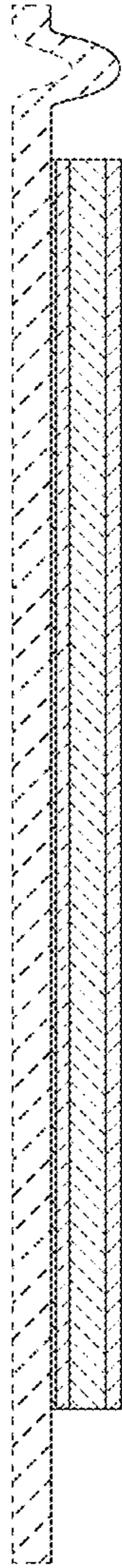


FIG. 26

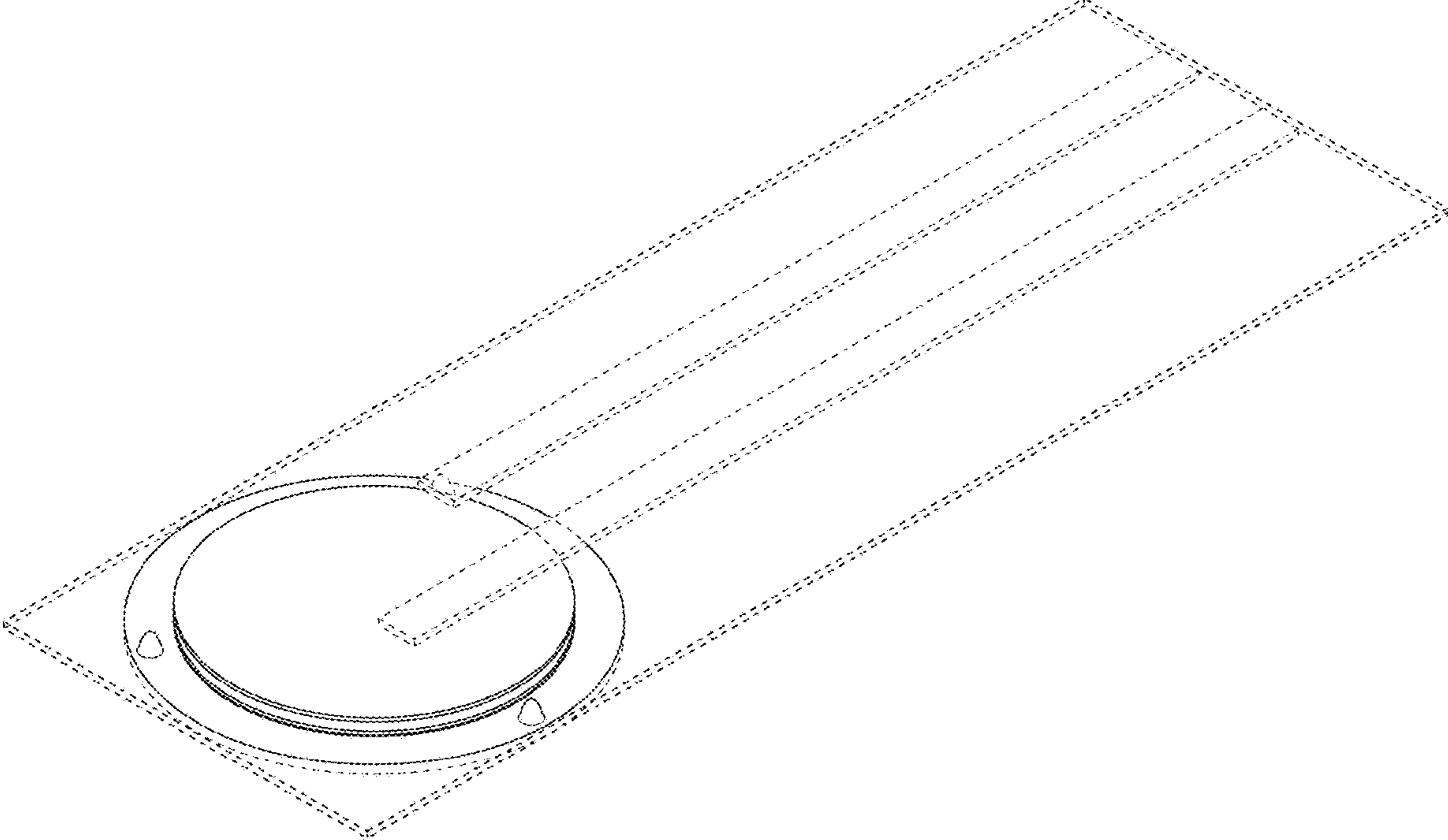


FIG. 27