



US00D947142S

(12) **United States Design Patent**  
**Zhang**

(10) **Patent No.:** **US D947,142 S**  
(45) **Date of Patent:** **\*\* Mar. 29, 2022**

(54) **LED STRIP LIGHT CONTROLLER**

(71) Applicant: **SHENZHEN BASON LIGHTING CO., LTD.**, Shenzhen (CN)

(72) Inventor: **Yong Zhang**, Shenzhen (CN)

(73) Assignee: **SHENZHEN BASON LIGHTING CO., LTD.**, Shenzhen (CN)

(\*\*) Term: **15 Years**

(21) Appl. No.: **29/753,065**

(22) Filed: **Sep. 29, 2020**

(30) **Foreign Application Priority Data**

Jul. 10, 2020 (CN) ..... 202030373353.2

(51) **LOC (13) Cl.** ..... **14-03**

(52) **U.S. Cl.**  
USPC ..... **D13/168; D10/106.6**

(58) **Field of Classification Search**  
USPC ..... D13/162, 168; D14/155, 217, 218, 358,  
D14/433, 434, 480.4, 480.5, 480.7;  
D10/104.1, 106.6; D26/85  
CPC ..... G08C 17/02; G09F 23/00; H01H 9/02;  
H01H 9/0214; H01H 9/0235; H04B  
1/202; F21S 4/00; F21S 4/10; F21S 4/20  
See application file for complete search history.

(56) **References Cited**

**U.S. PATENT DOCUMENTS**

D363,891 S \* 11/1995 Gough ..... D10/106.6  
D548,196 S \* 8/2007 Bonnaud ..... D13/168  
D595,875 S \* 7/2009 Irvine ..... D26/24  
8,979,353 B2 \* 3/2015 Wilson ..... B60Q 3/74  
362/640  
D732,729 S \* 6/2015 McKechnie ..... D26/118  
D739,585 S \* 9/2015 Chun ..... D26/38  
9,332,615 B1 \* 5/2016 Peng ..... H01H 9/0228

D830,607 S \* 10/2018 Recker ..... D26/85  
D851,807 S \* 6/2019 Wu ..... D26/85  
D887,392 S \* 6/2020 Da Canal ..... D14/218  
10,683,974 B1 \* 6/2020 Chen ..... F21V 23/06  
D891,377 S \* 7/2020 Ahrari ..... D13/168  
D896,112 S \* 9/2020 Li ..... D10/70  
D910,580 S \* 2/2021 Zhu ..... D13/168  
D911,295 S \* 2/2021 Chen ..... D13/168  
D921,954 S \* 6/2021 Jiang ..... D26/72  
D928,004 S \* 8/2021 Nguyen ..... D10/104.1

**OTHER PUBLICATIONS**

Led strip light controller; retrieved on Oct. 28, 2021; 1 pg.;  
<https://www.aliexpress.com/item/4000979327146.html>. \*  
Sensky BS009 Motion Sensor Switch ; Jun. 1, 2014; 2 pgs.;  
<https://www.amazon.com/Sensky-Function-Control-Controller-Lighting/dp/B00L58A8EE>. \*  
Human Body Induction Switch Infrared Led Strip Light Controller;  
retrieved on Nov. 1, 2021; 1 pg; [https://www.alibaba.com/product-detail/PIR-sensor-human-body-induction-switch\\_60849906410.html](https://www.alibaba.com/product-detail/PIR-sensor-human-body-induction-switch_60849906410.html). \*

(Continued)

*Primary Examiner* — Selina Sikder

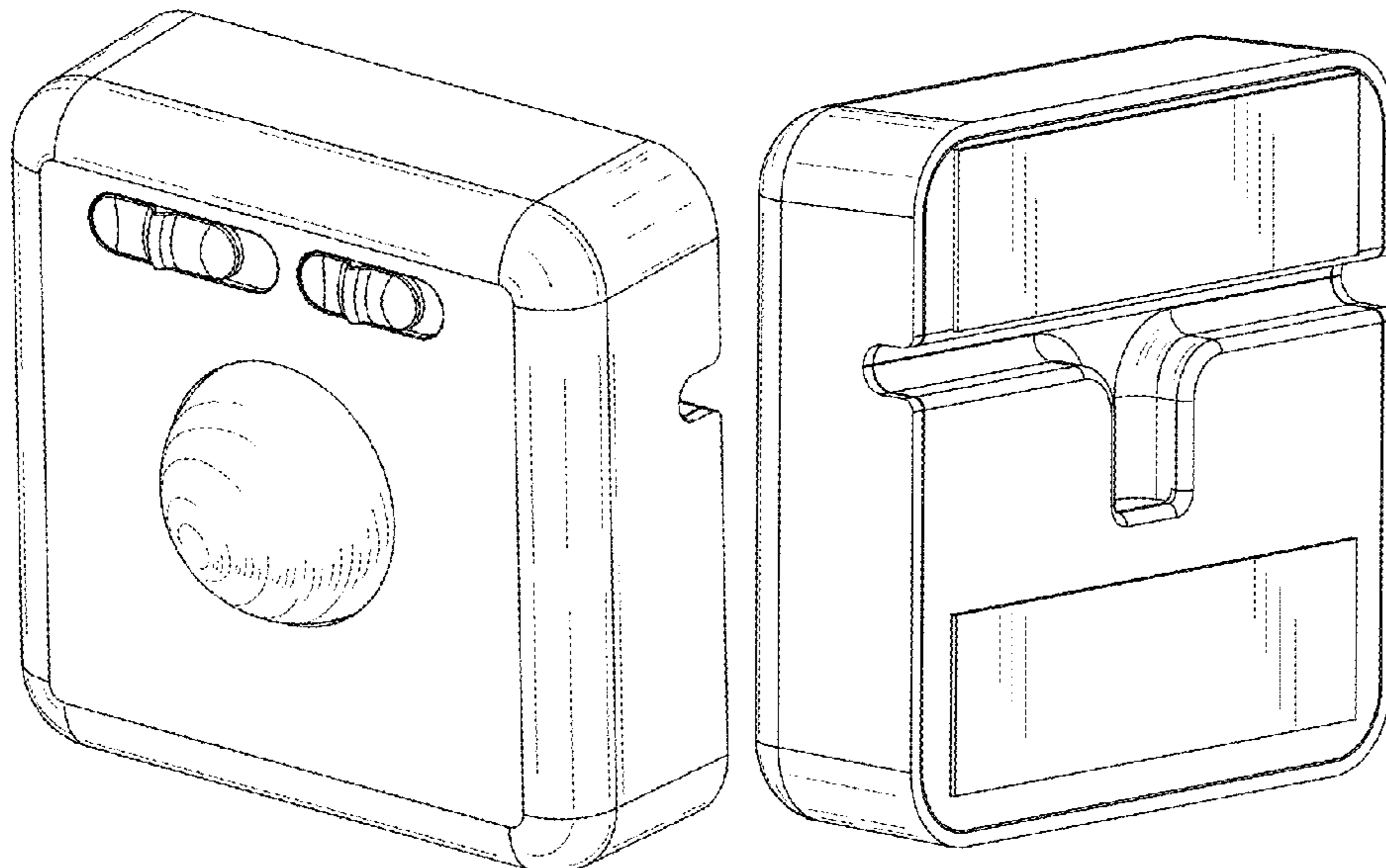
(57) **CLAIM**

The ornamental design for a LED strip light controller, as shown and described.

**DESCRIPTION**

FIG. 1 is a perspective view of a LED strip light controller showing the claimed design;  
FIG. 2 another perspective view thereof;  
FIG. 3 is a front elevational view thereof;  
FIG. 4 is a rear elevational view thereof;  
FIG. 5 is a left side elevational view thereof;  
FIG. 6 is a right side elevational view thereof;  
FIG. 7 is a top plan view thereof; and,  
FIG. 8 is a bottom plan view thereof.

**1 Claim, 8 Drawing Sheets**



(56)

**References Cited**

OTHER PUBLICATIONS

Dc5-24v Automatic Human Body Induction Controller Smart Pir Motion Sensor For Led Strip Light; tried on Nov. 1, 2021; 1 pg; [https://www.alibaba.com/product-detail/DC5-24V-automatic-human-body-induction\\_62588344990.html](https://www.alibaba.com/product-detail/DC5-24V-automatic-human-body-induction_62588344990.html).\*

Strips SMD 2835 LED Strip Light PIR Motion Sensor Switch; retrieved on Nov. 1, 2021; 1 pg.;[https://www.dhgate.com/product/strips-smd-2835-led-strip-light-pir-motion/715693581.html?f=bm%7cGMC%7cpla%7c10936260134%7c108807309098%7c715693581%7cpla-320467456714%7c117003002%7cUS%7cchuckhayes%7cc%7c2%7c&utm\\_source=pla&utm\\_m](https://www.dhgate.com/product/strips-smd-2835-led-strip-light-pir-motion/715693581.html?f=bm%7cGMC%7cpla%7c10936260134%7c108807309098%7c715693581%7cpla-320467456714%7c117003002%7cUS%7cchuckhayes%7cc%7c2%7c&utm_source=pla&utm_m).\*

\* cited by examiner

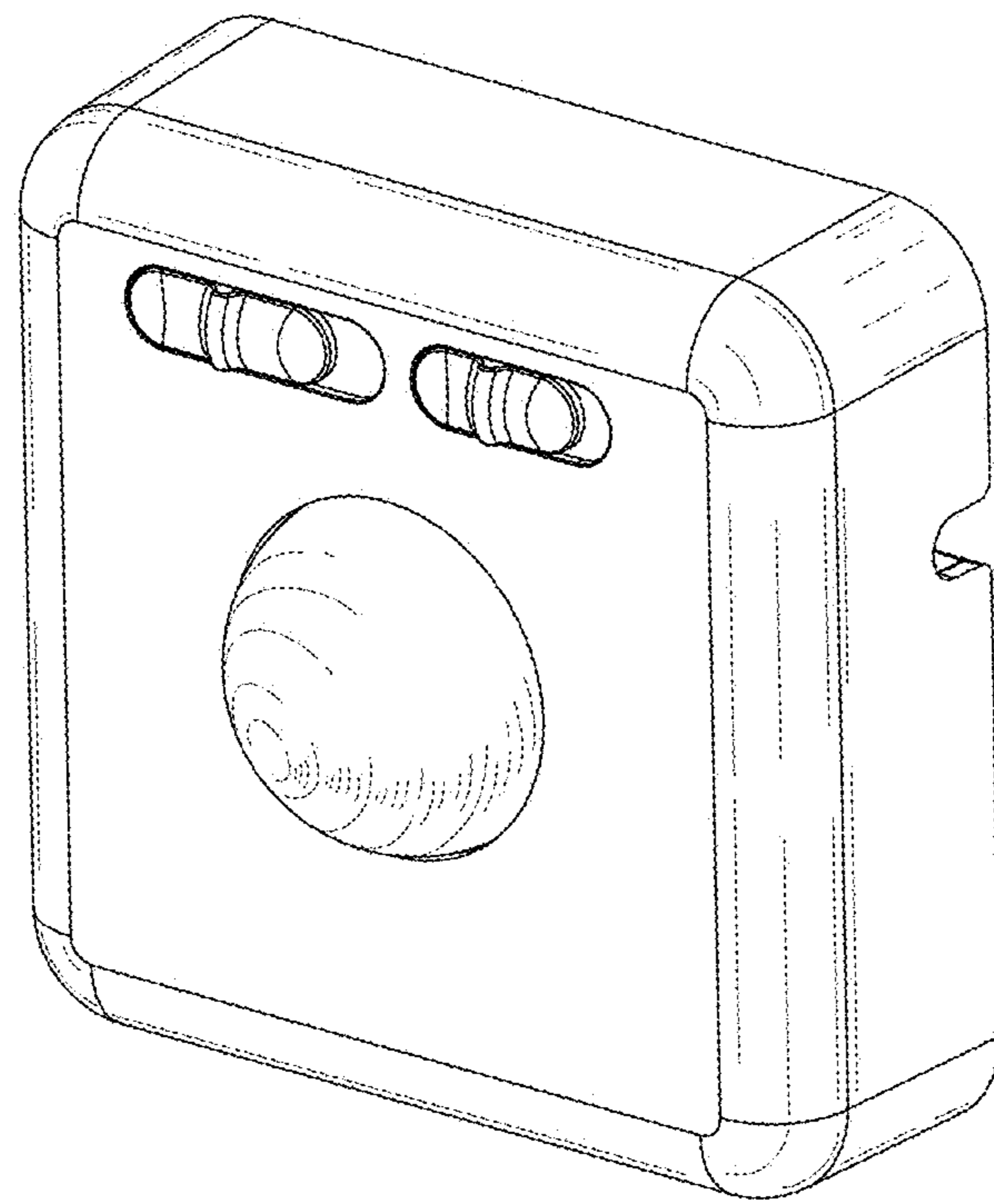
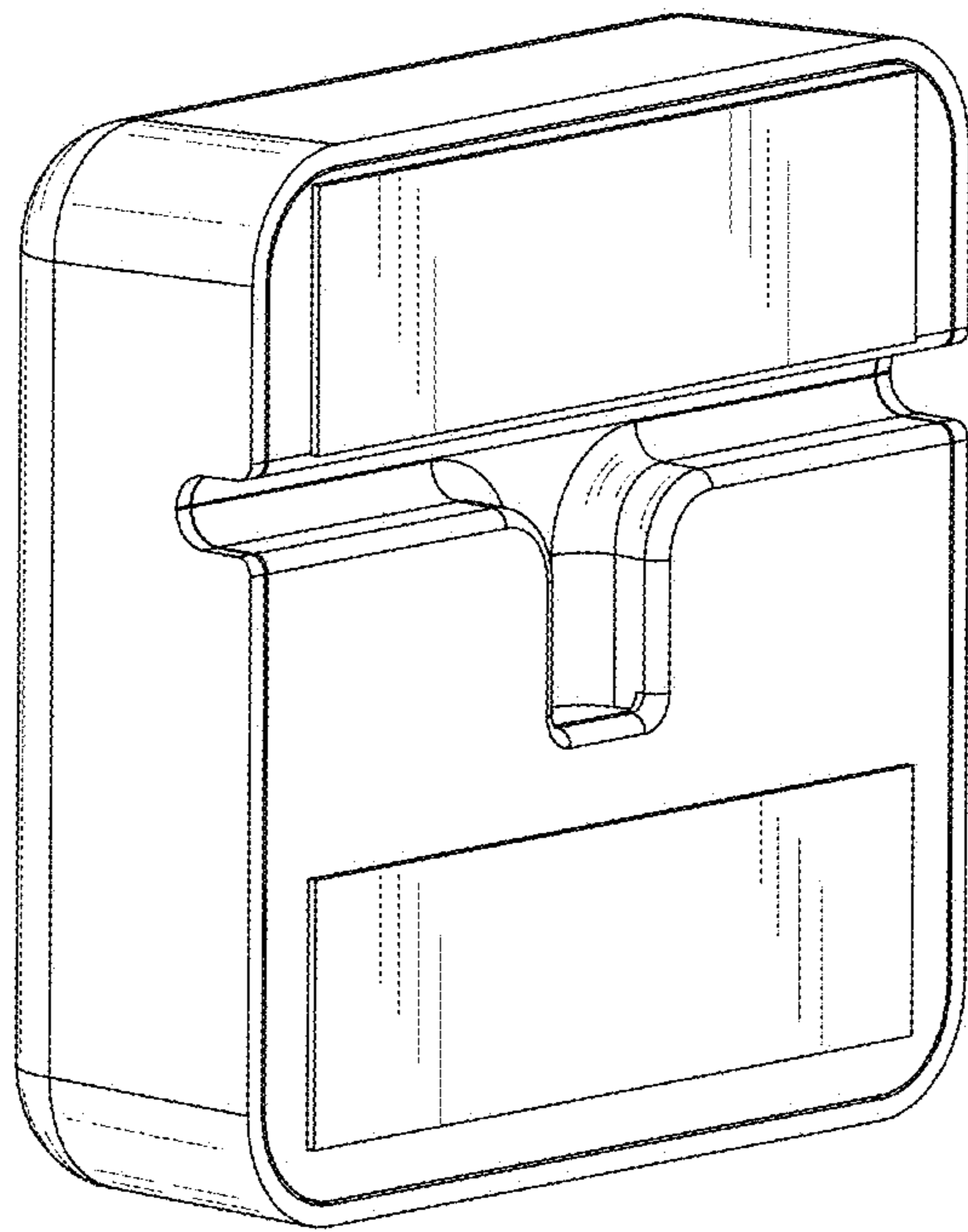


Fig. 1



**Fig. 2**

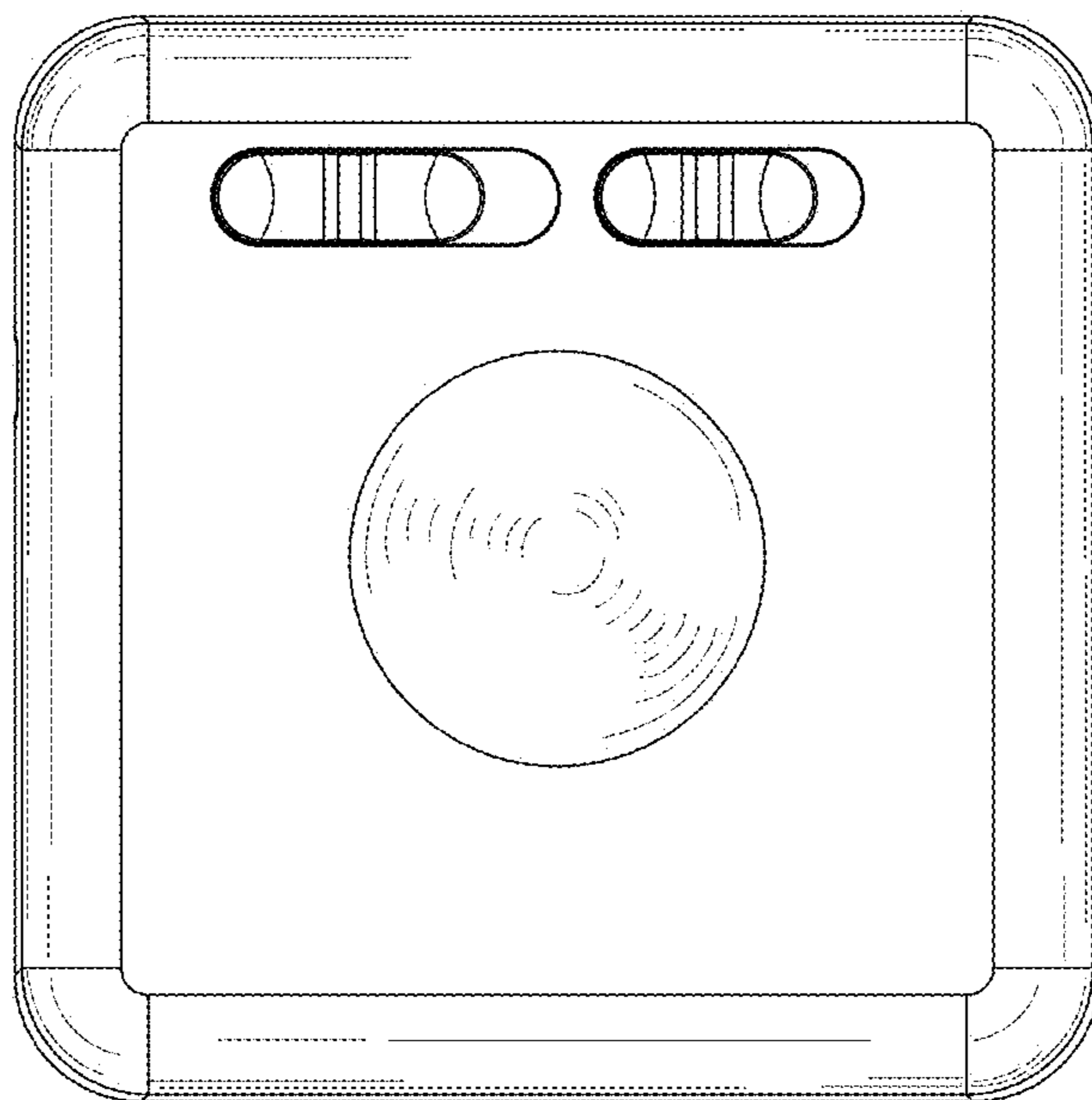


Fig. 3

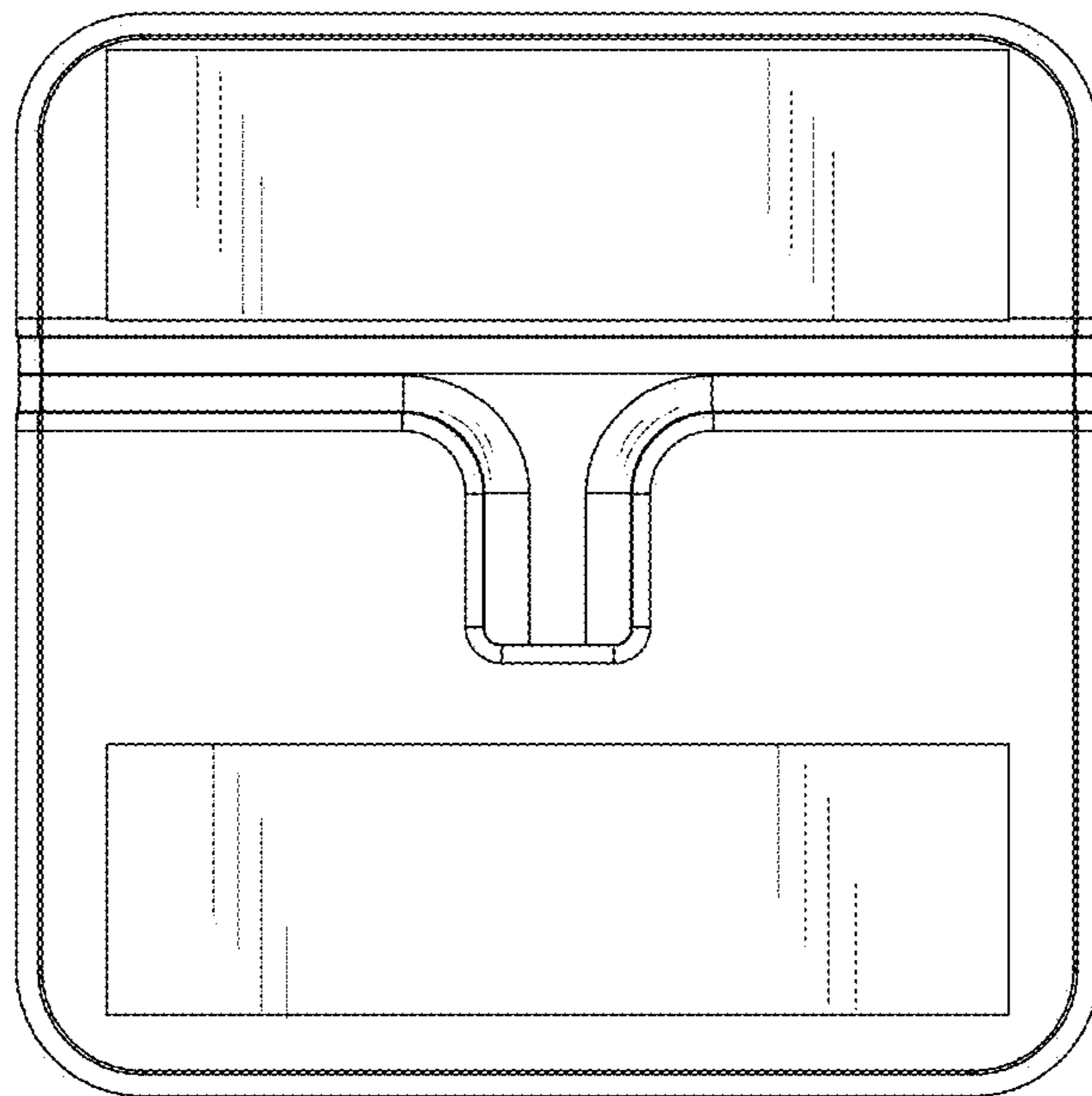
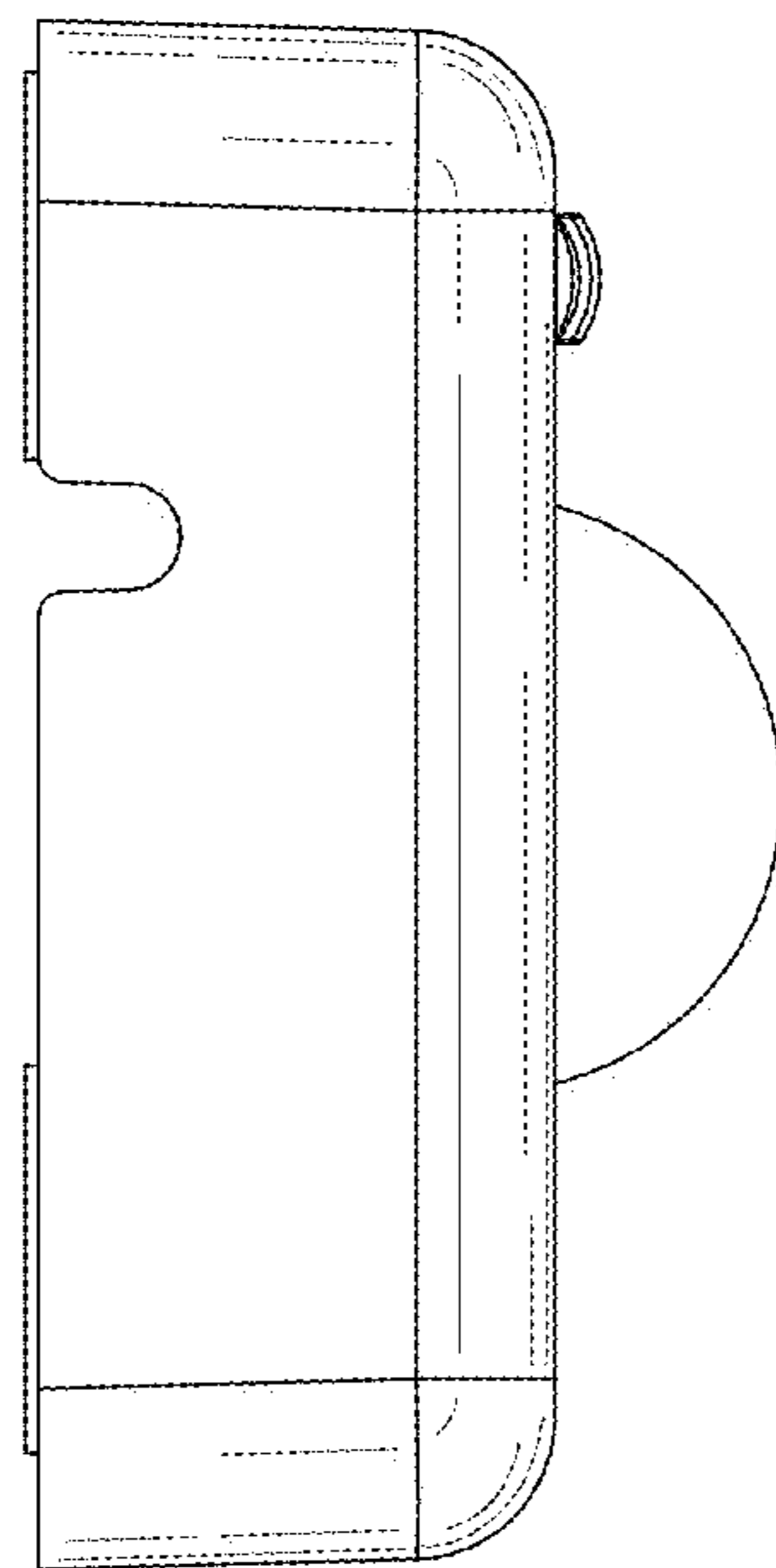


Fig. 4



**Fig. 5**

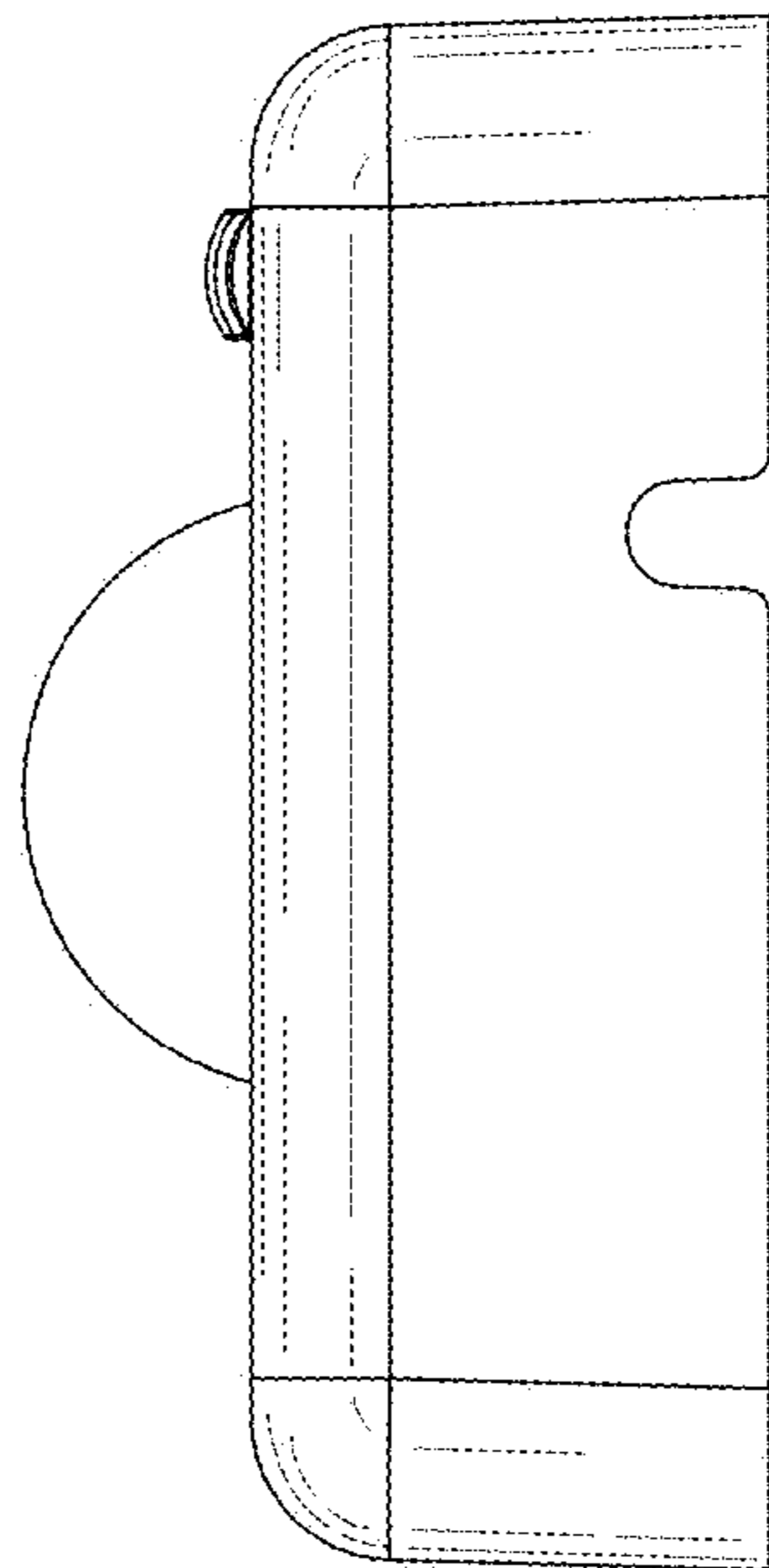
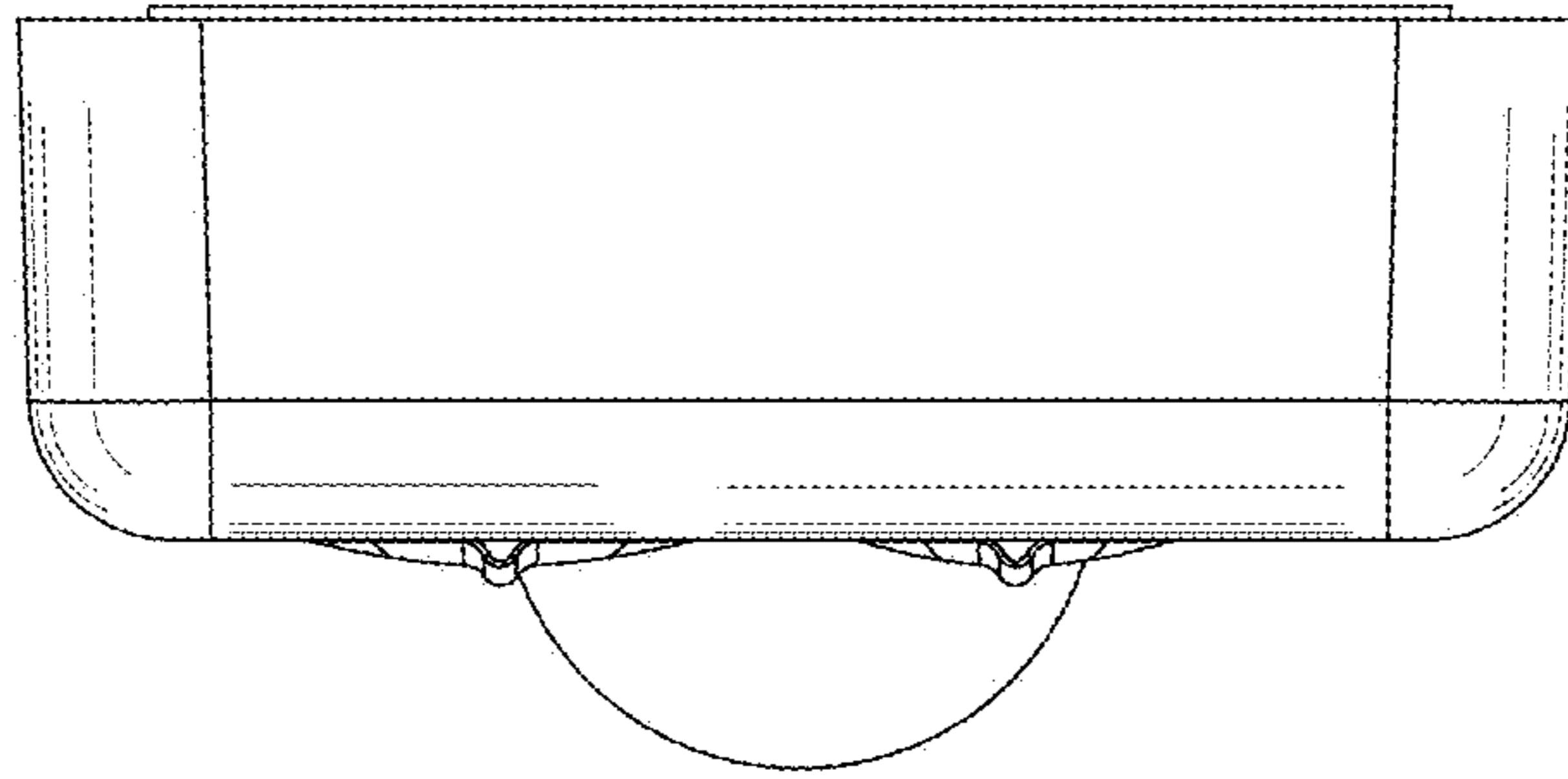


Fig. 6





**Fig. 7**

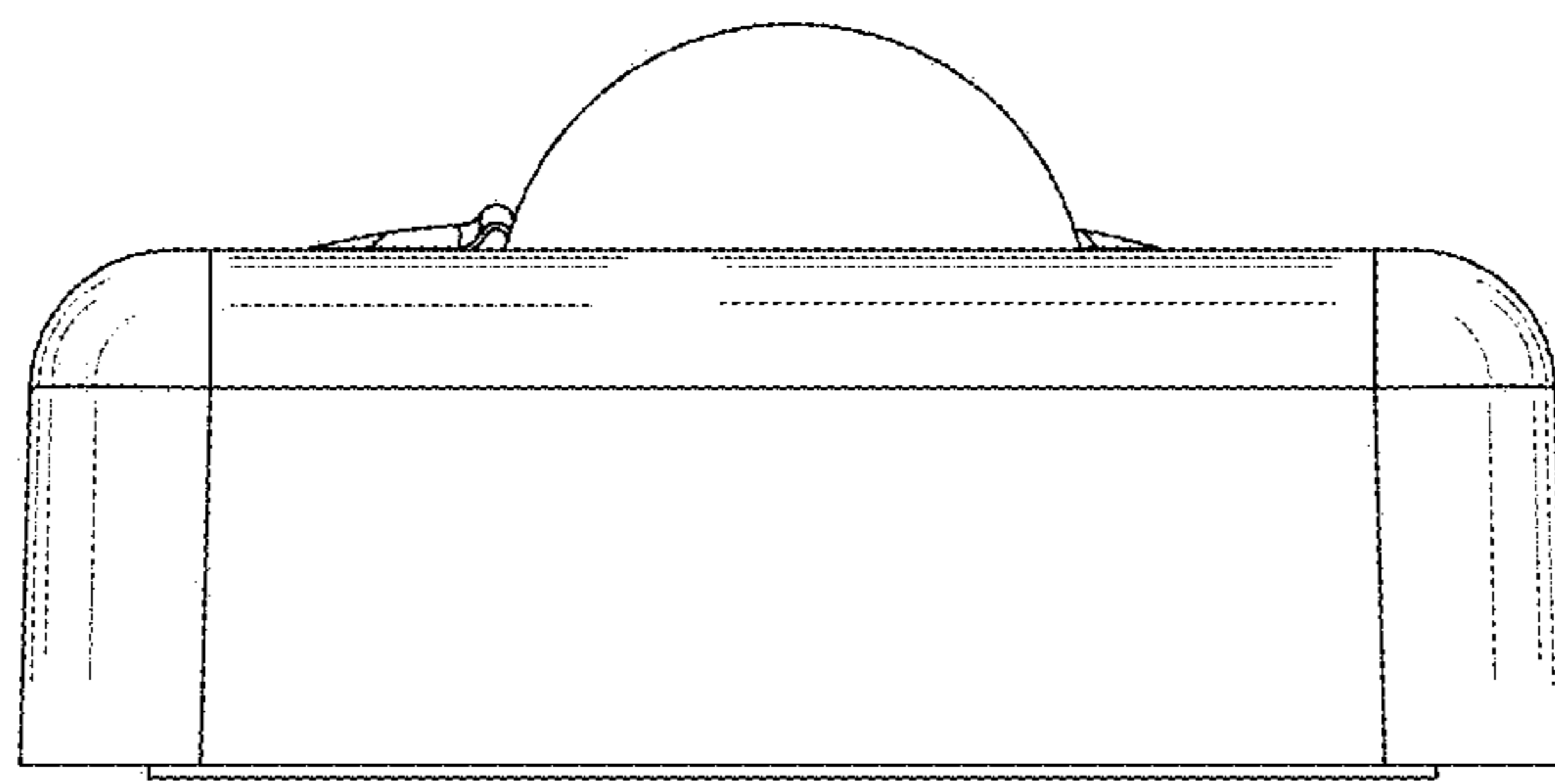


Fig. 8