

US00D947140S

(12) **United States Design Patent**
Chen

(10) **Patent No.:** **US D947,140 S**

(45) **Date of Patent:** **** Mar. 29, 2022**

(54) **MEDICAL PADDLE CONTROLLER**

(71) Applicant: **TIMOTION TECHNOLOGY CO., LTD.**, New Taipei (TW)

(72) Inventor: **Yi-Fu Chen**, New Taipei (TW)

(73) Assignee: **TIMOTION TECHNOLOGY CO., LTD.**, New Taipei (TW)

(**) Term: **15 Years**

(21) Appl. No.: **29/760,172**

(22) Filed: **Nov. 30, 2020**

(51) **LOC (13) Cl.** **13-03**

(52) **U.S. Cl.**
USPC **D13/167**

(58) **Field of Classification Search**
USPC D13/167, 173, 199; D15/72; D17/20,
D17/99; D24/179; D14/179
CPC G10H 1/0008; G10H 1/0056; G10H 1/32;
G10H 1/34; G10H 1/344; G10H 1/46;
G10H 1/146; G10H 1/348; G10H 3/146;
H01H 13/14; H01H 13/16; A61B
2017/00973

See application file for complete search history.

(56) **References Cited**

U.S. PATENT DOCUMENTS

D246,649	S	*	12/1977	Braaten	D13/167
5,535,642	A	*	7/1996	Moll	H01H 3/14 200/86.5
5,659,145	A	*	8/1997	Weil	G10H 1/0008 84/464 R
D478,874	S	*	8/2003	Moll	D13/167
D559,200	S	*	1/2008	Schurg	D13/167
D586,919	S	*	2/2009	Nielsen	D13/167
D589,460	S	*	3/2009	Yang	D13/167
D599,746	S	*	9/2009	Long	D13/167
D768,091	S	*	10/2016	Lewis	D13/167
D848,380	S	*	5/2019	Yasutomi	D13/167

10,503,199	B1	*	12/2019	Cone	A61B 34/70
11,191,596	B2	*	12/2021	Thompson	A61B 34/35
2017/0007218	A1	*	1/2017	Lai	G05G 1/305
2018/0280099	A1	*	10/2018	Cone	G05G 1/445

OTHER PUBLICATIONS

Linvatec Hall Surgical Foot Switch; retrieved on Jan. 13, 2022; 1 pg.; <http://www.wemed1.com/5020-053-linvatec-hall-surgical-foot-switch>.*

Timotion TFS9 Datasheet; Jul. 2, 2021; 4 pgs.; https://www.timotion.com/_upload/files/DataSheet_TFS9-B_EN.pdf.*

Synaptive Medical OTS-0074 Foot Pedal ; retrieved on Jan. 13, 2022; 1 pg.; <https://www.nriparts.com/products/synaptive-medical-ots-0074-miscellaneous/561441>.*

* cited by examiner

Primary Examiner — Selina Sikder

(74) *Attorney, Agent, or Firm* — Chun-Ming Shih; HDLS IPR Services

(57) **CLAIM**

The ornamental design for a medical paddle controller, as shown and described.

DESCRIPTION

FIG. 1 is a perspective view of a medical paddle controller showing my new design;

FIG. 2 is a front view thereof;

FIG. 3 is a rear view thereof;

FIG. 4 is a left side view thereof;

FIG. 5 is a right side view thereof;

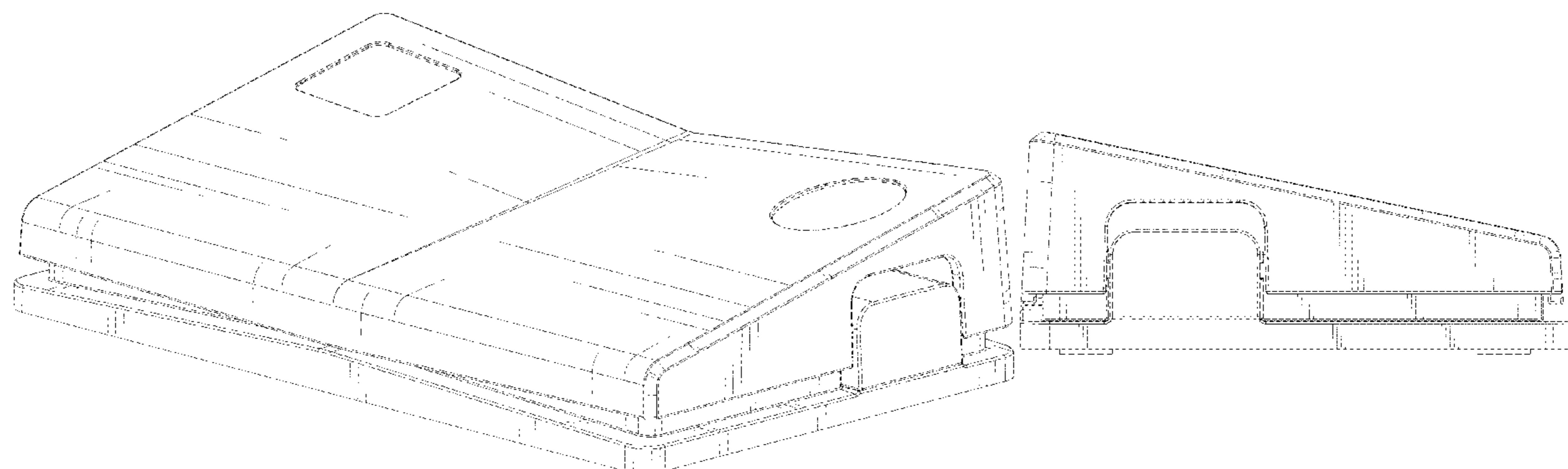
FIG. 6 is a top view thereof;

FIG. 7 is a bottom view thereof; and,

FIG. 8 is a second perspective view showing the medical paddle controller.

The broken lines in the drawings illustrate portions of the medical paddle controller that form no part of the claimed design.

1 Claim, 8 Drawing Sheets



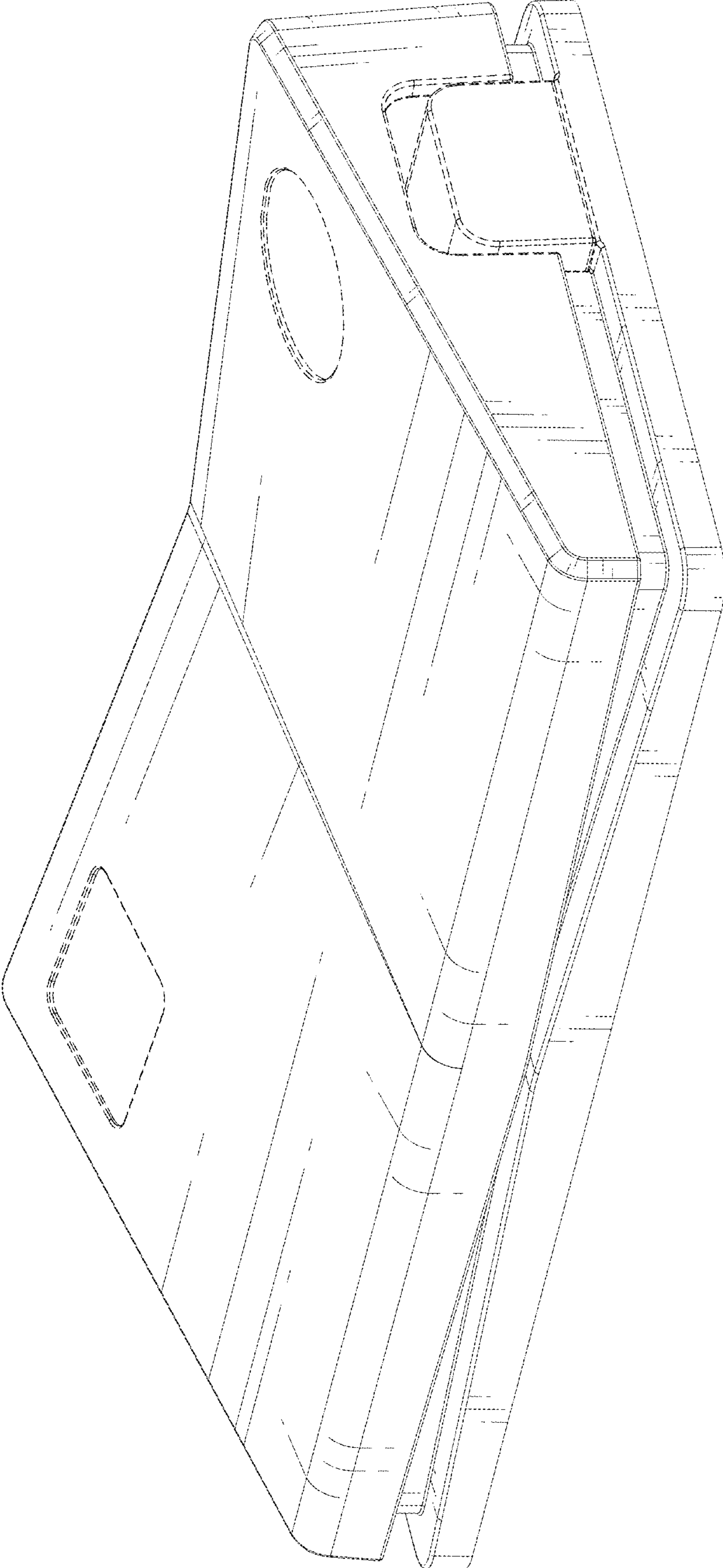


FIG.1

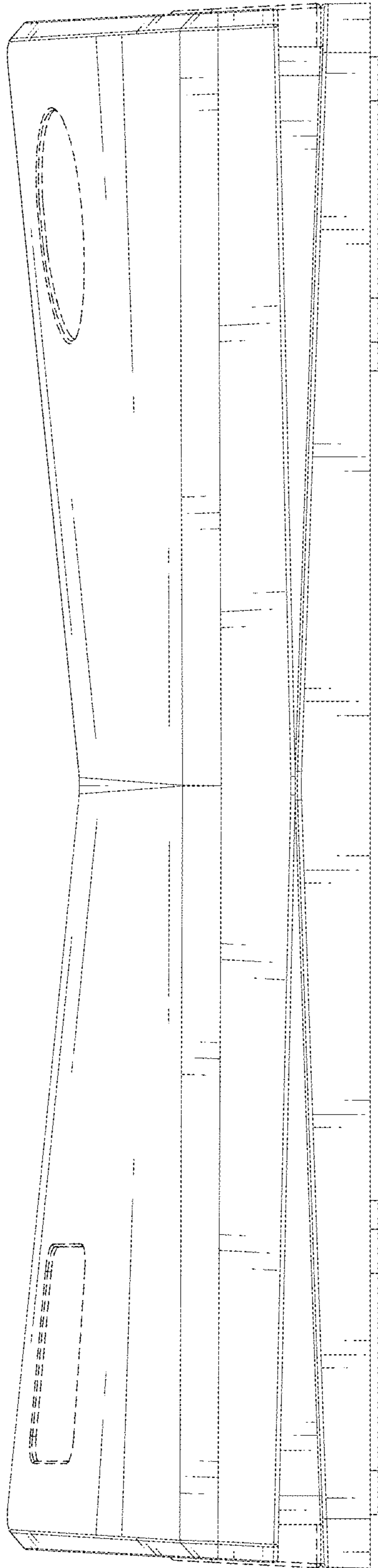


FIG.2

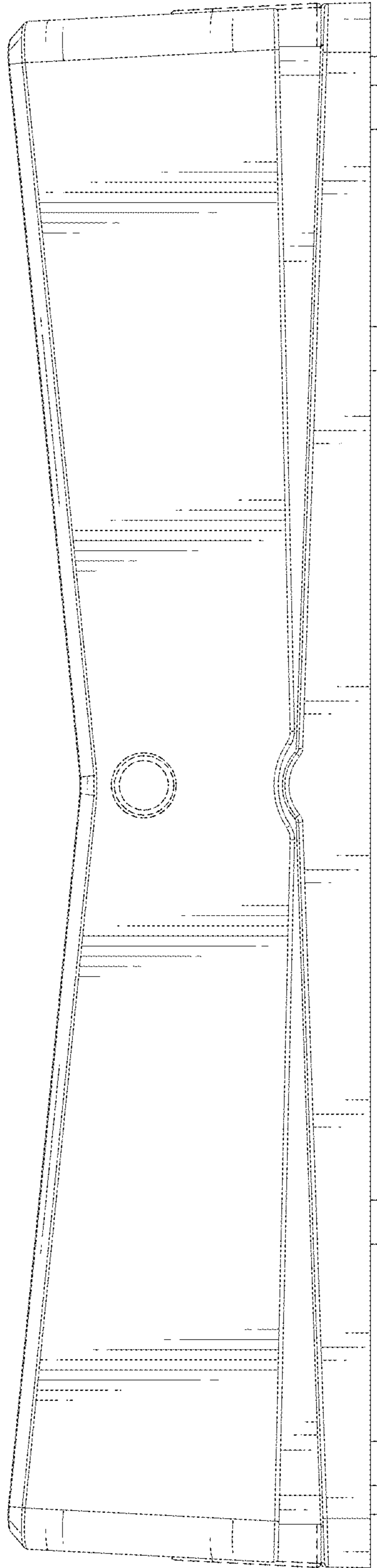


FIG.3

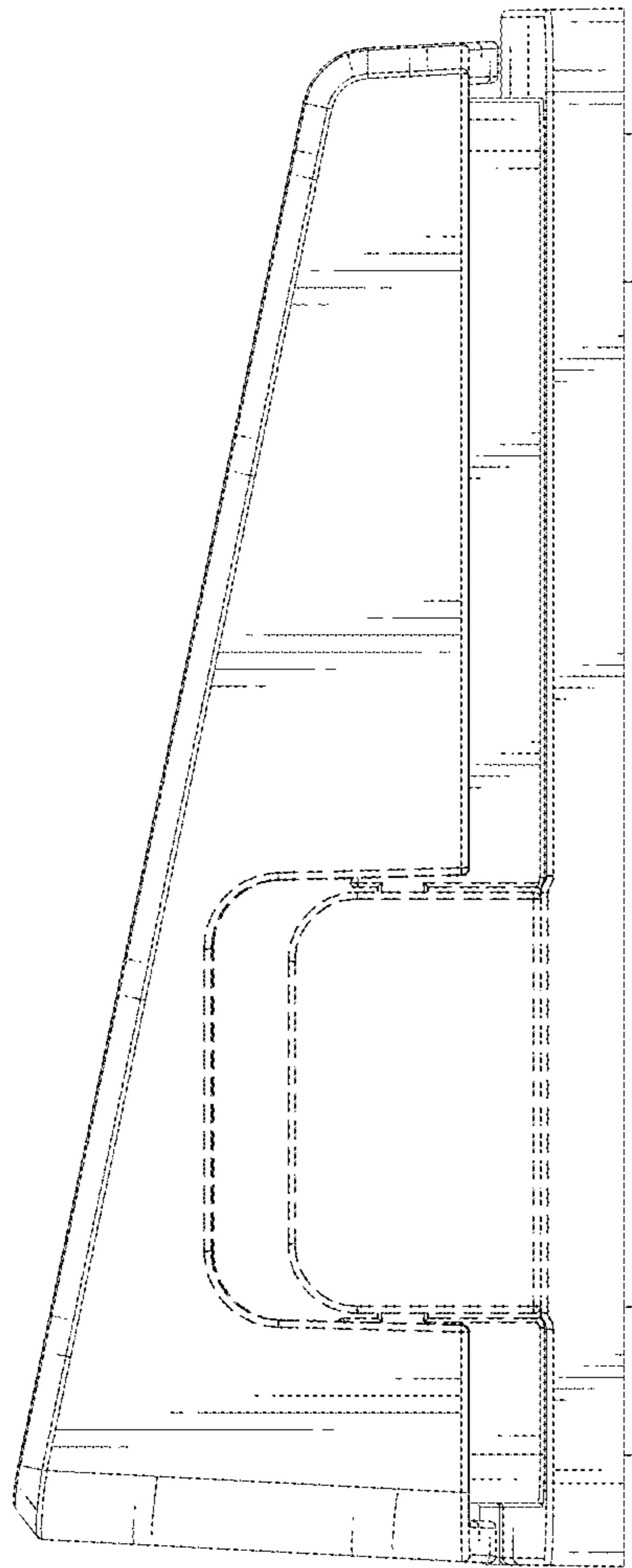


FIG.4

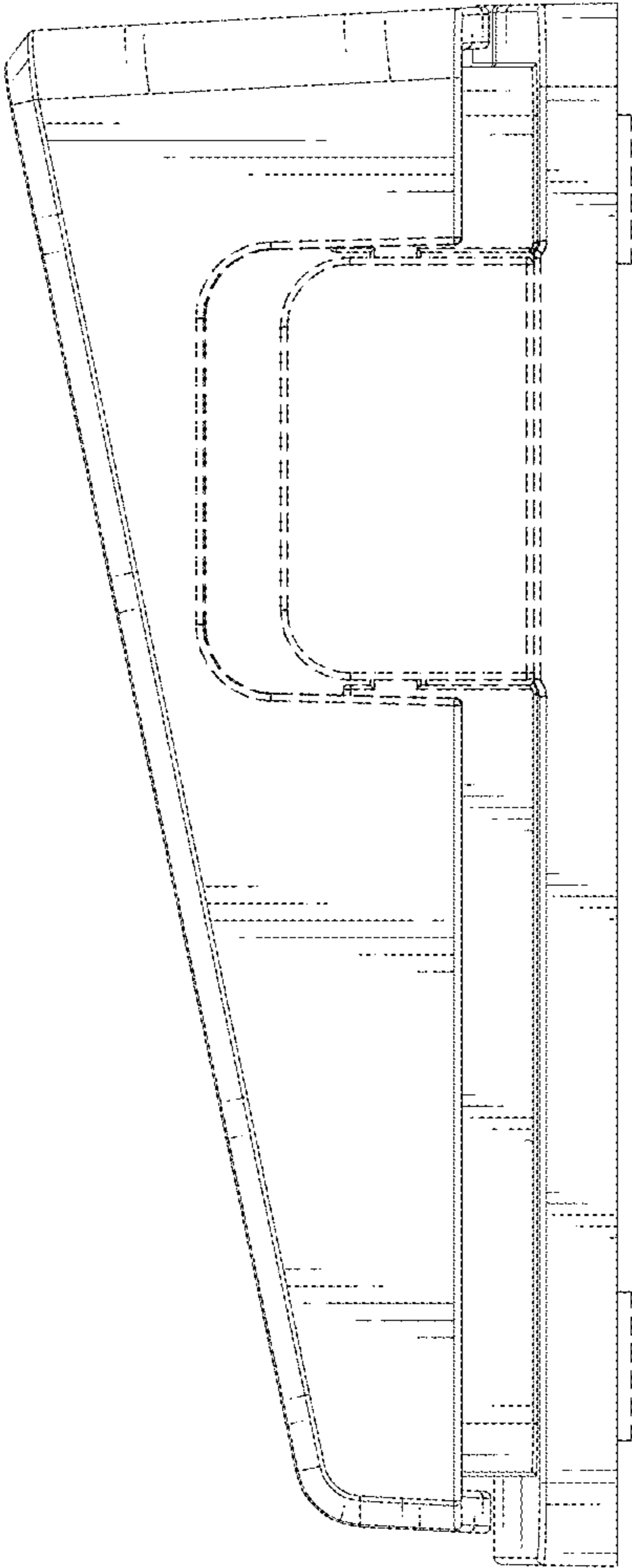


FIG.5

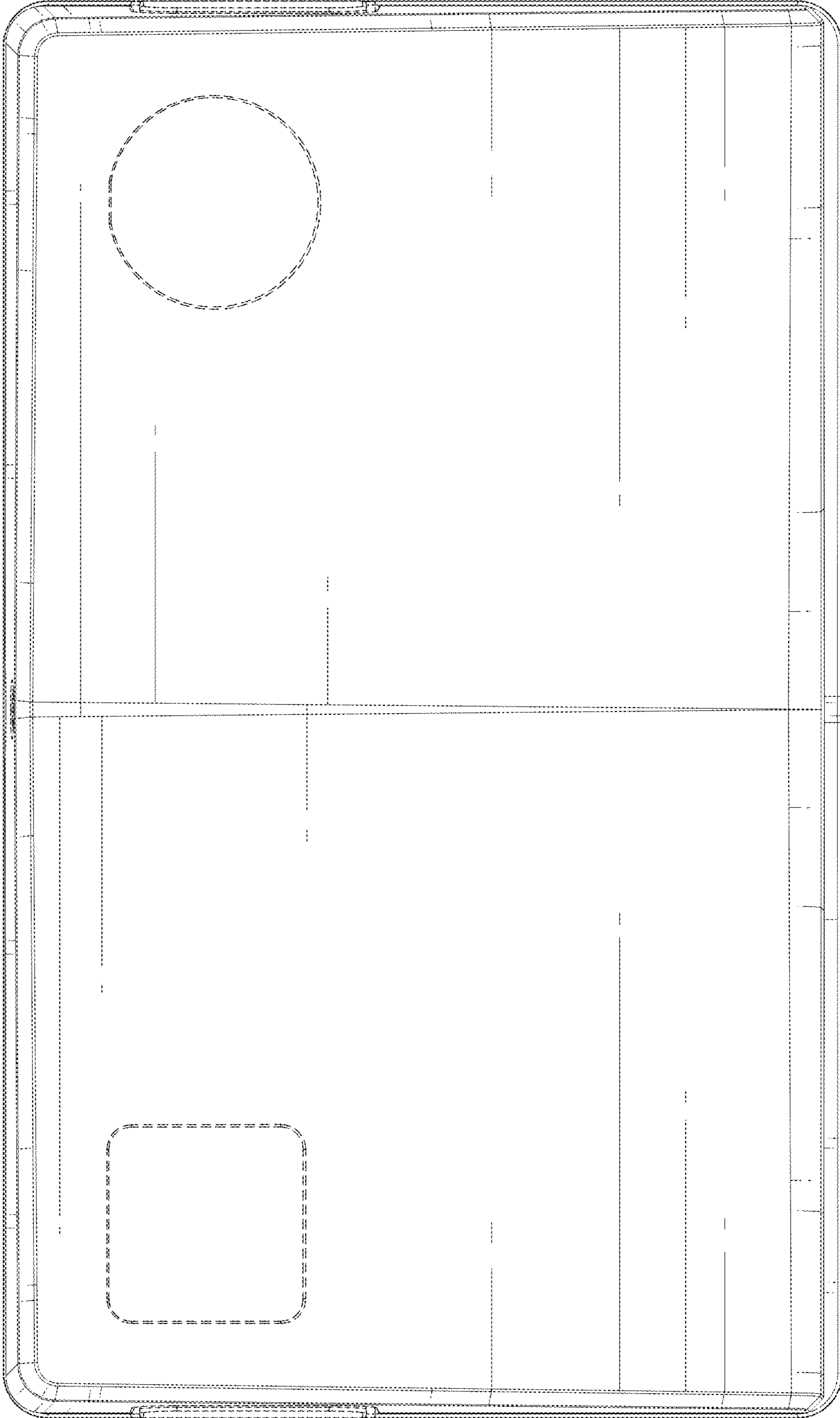


FIG.6

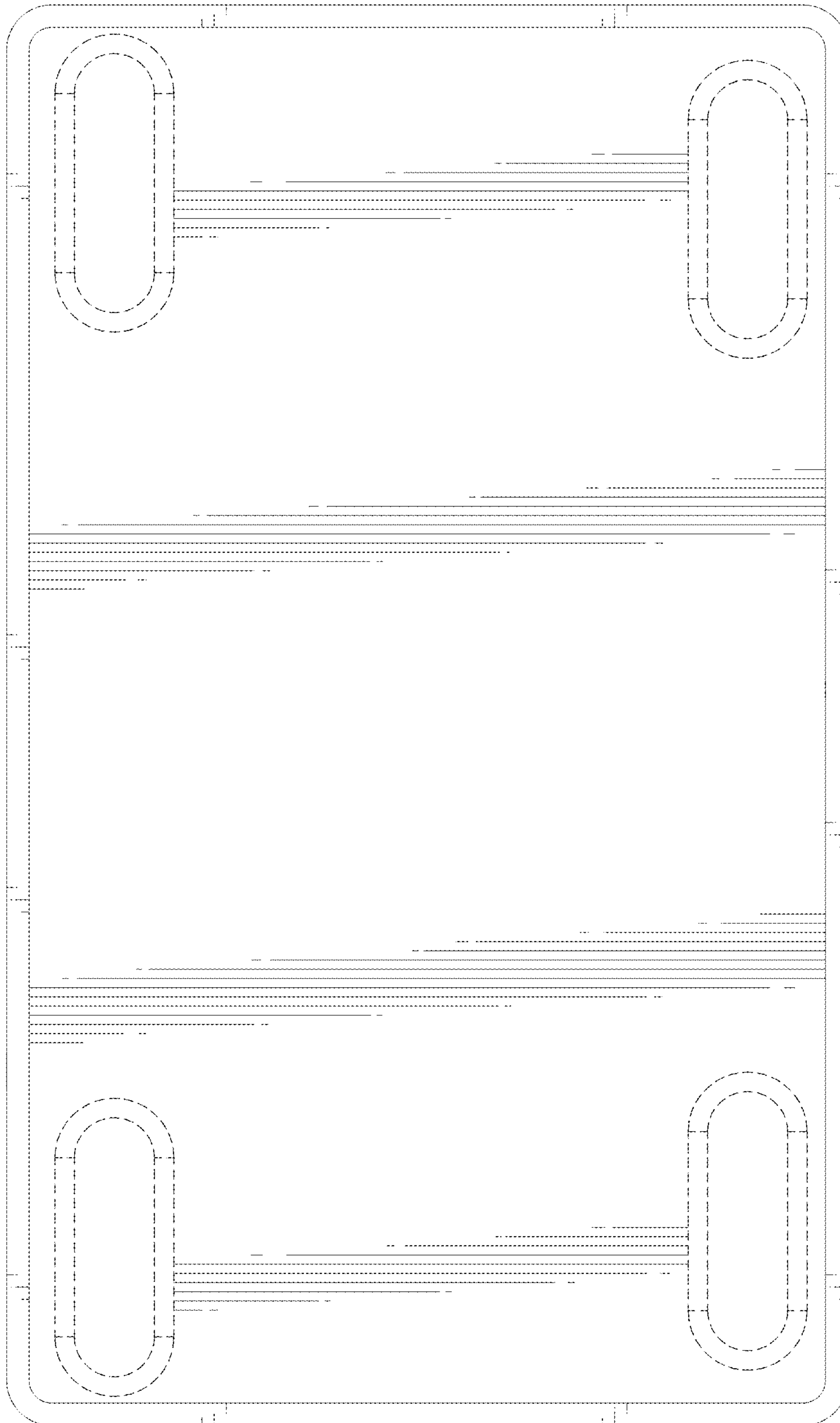


FIG.7

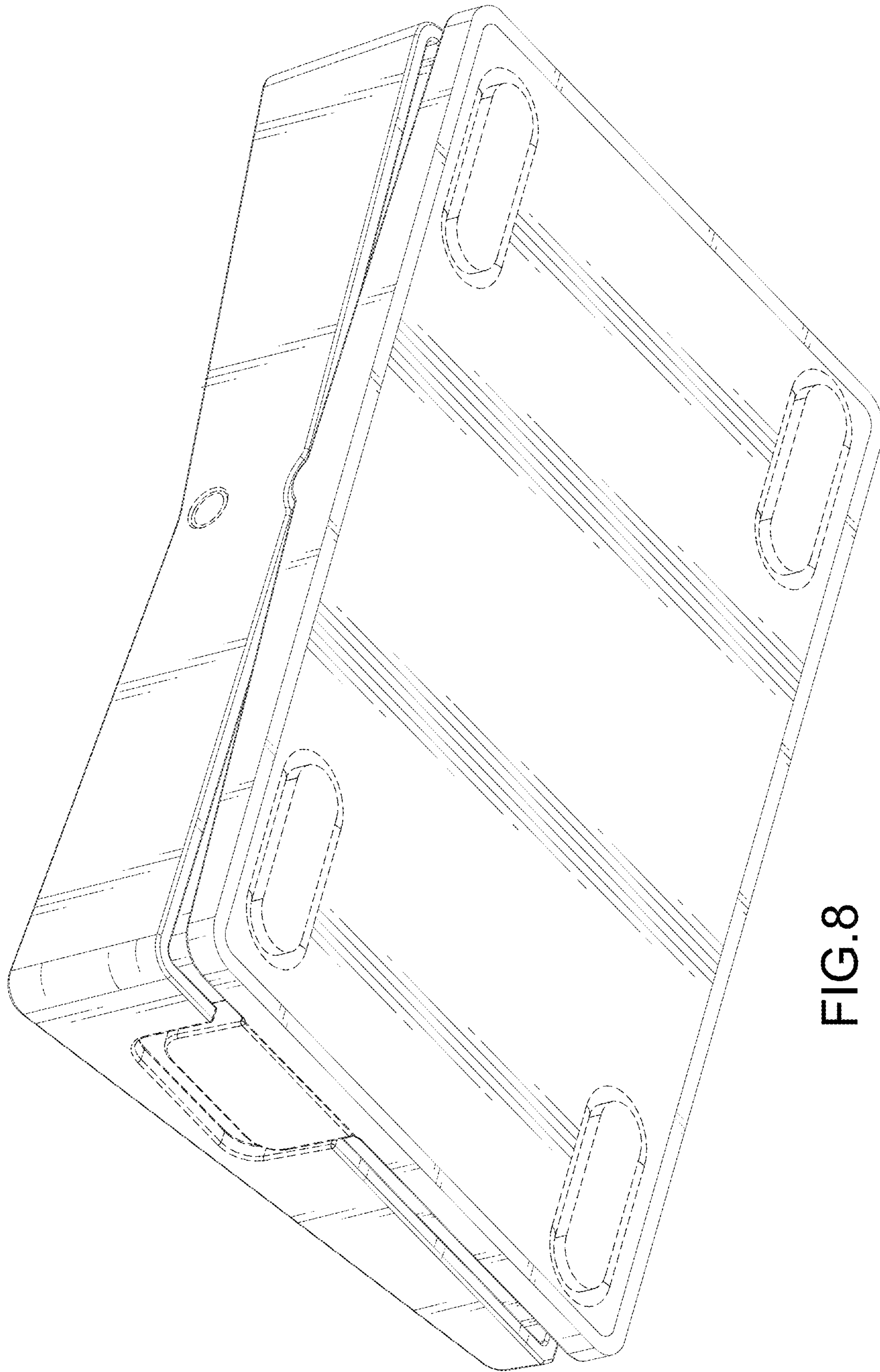


FIG. 8