



US00D947139S

(12) **United States Design Patent**
Wu

(10) **Patent No.:** **US D947,139 S**
(45) **Date of Patent:** **** Mar. 29, 2022**

(54) **LED LIGHT STRING CONTROLLER**

(71) Applicant: **Ningbo Juchuang Lighting Co., Ltd.**,
Yuyao (CN)

(72) Inventor: **Xinglin Wu**, Yuyao (CN)

(**) Term: **15 Years**

(21) Appl. No.: **29/781,274**

(22) Filed: **Apr. 29, 2021**

(51) **LOC (13) Cl.** **13-03**

(52) **U.S. Cl.**
USPC **D13/162**

(58) **Field of Classification Search**
USPC D13/162, 171, 173, 177; D8/353;
D10/50

CPC H01H 9/02; H01H 9/0271; H01H 9/16;
H01H 9/161; H01H 9/18; H01H 9/181;
H01H 9/182; H01H 3/0213; H01H 15/00;
H01H 15/02; H01H 15/025; H01H 15/06;
H01H 15/10

See application file for complete search history.

(56) **References Cited**

U.S. PATENT DOCUMENTS

D419,530 S	1/2000	Wang	
D419,963 S	2/2000	Wang	
D687,388 S *	8/2013	Baumgartner	D13/162
D733,078 S	6/2015	Wu	
D737,697 S *	9/2015	Bhattacharya	D10/50
D738,229 S *	9/2015	Jiang	D10/50
9,301,410 B2 *	3/2016	Rohmer	H05K 5/02
D767,513 S	9/2016	Jacoby	
D778,245 S *	2/2017	Feldstein	D13/162
D828,309 S	9/2018	Tang	
D839,847 S	2/2019	Dimberg	
D860,319 S *	9/2019	Beruto	D20/10
D877,093 S	3/2020	Tang	
D877,097 S	3/2020	Tang	
10,704,776 B2 *	7/2020	Grandadam	F21V 23/04

D891,945 S *	8/2020	Xiao	D10/50
D892,751 S	8/2020	Altonen	
D893,437 S	8/2020	Dimberg	
D894,021 S *	8/2020	Smith	D10/50
D901,314 S *	11/2020	Atwood	D10/50
D907,586 S *	1/2021	Lombardi	D13/162
D913,976 S *	3/2021	Lombardi	D13/162
2006/0072302 A1 *	4/2006	Chien	F21S 6/003 362/84
2008/0081146 A1 *	4/2008	Egea Soler	E01H 1/1206 428/99
2017/0359068 A1 *	12/2017	Omori	H01H 9/16
2020/0328052 A1 *	10/2020	Singh	H01H 23/143

(Continued)

OTHER PUBLICATIONS

RGBZONE RGB LED Dimmer Wall Switch; Aug. 16, 2016; 2 pgs.;
https://www.amazon.com/RGBZONE-mounted-Plastic-Multi-color-Lighting/dp/B014R2B56E?th=1.*

(Continued)

Primary Examiner — Selina Sikder

(74) *Attorney, Agent, or Firm* — Rumit Ranjit Kanakia

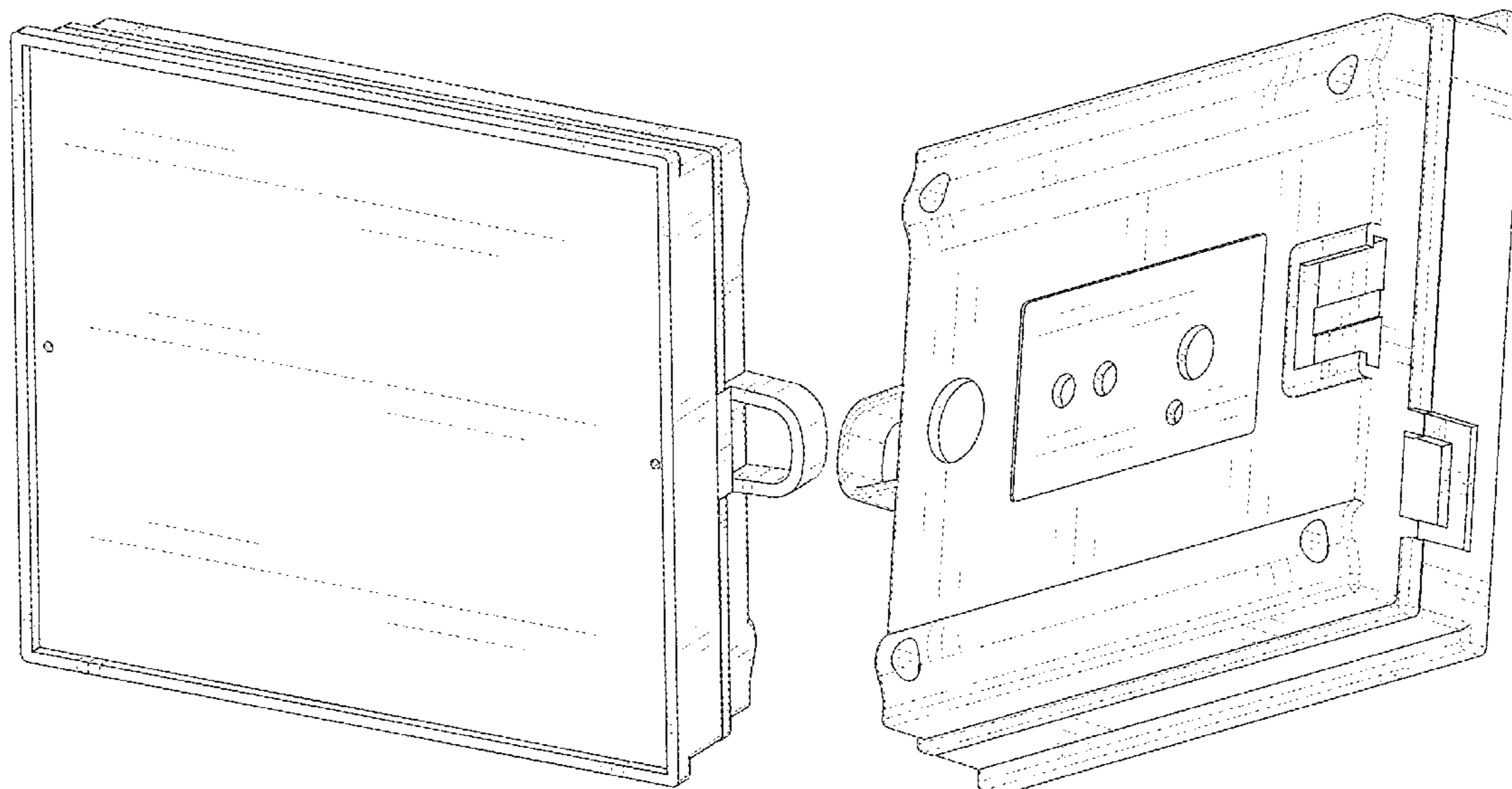
(57) **CLAIM**

The ornamental design for a LED light string controller, as shown and described.

DESCRIPTION

FIG. 1 is a front elevational view of a LED light string controller showing my new design; FIG. 2 is a rear elevational view thereof; and FIG. 3 is a left side view thereof; FIG. 4 is a right side view thereof; FIG. 5 is a top plan view thereof; FIG. 6 is a bottom plan view thereof; FIG. 7 is a perspective view of a LED light string controller showing my new design; and, FIG. 8 is another perspective view thereof.

1 Claim, 8 Drawing Sheets



(56)

References Cited

U.S. PATENT DOCUMENTS

2021/0151264 A1* 5/2021 Omori H01H 36/00
2021/0398754 A1* 12/2021 Ye H01H 9/08

OTHER PUBLICATIONS

Wall Mount Touch Color RGB Controller Instruction Sheet; retrieved on Jan. 5, 2022; 2 pgs.;http://d114hh0cykhyb0.cloudfront.net/pdfs/Idwm-rgb3-tc_instructions.pdf.*

* cited by examiner

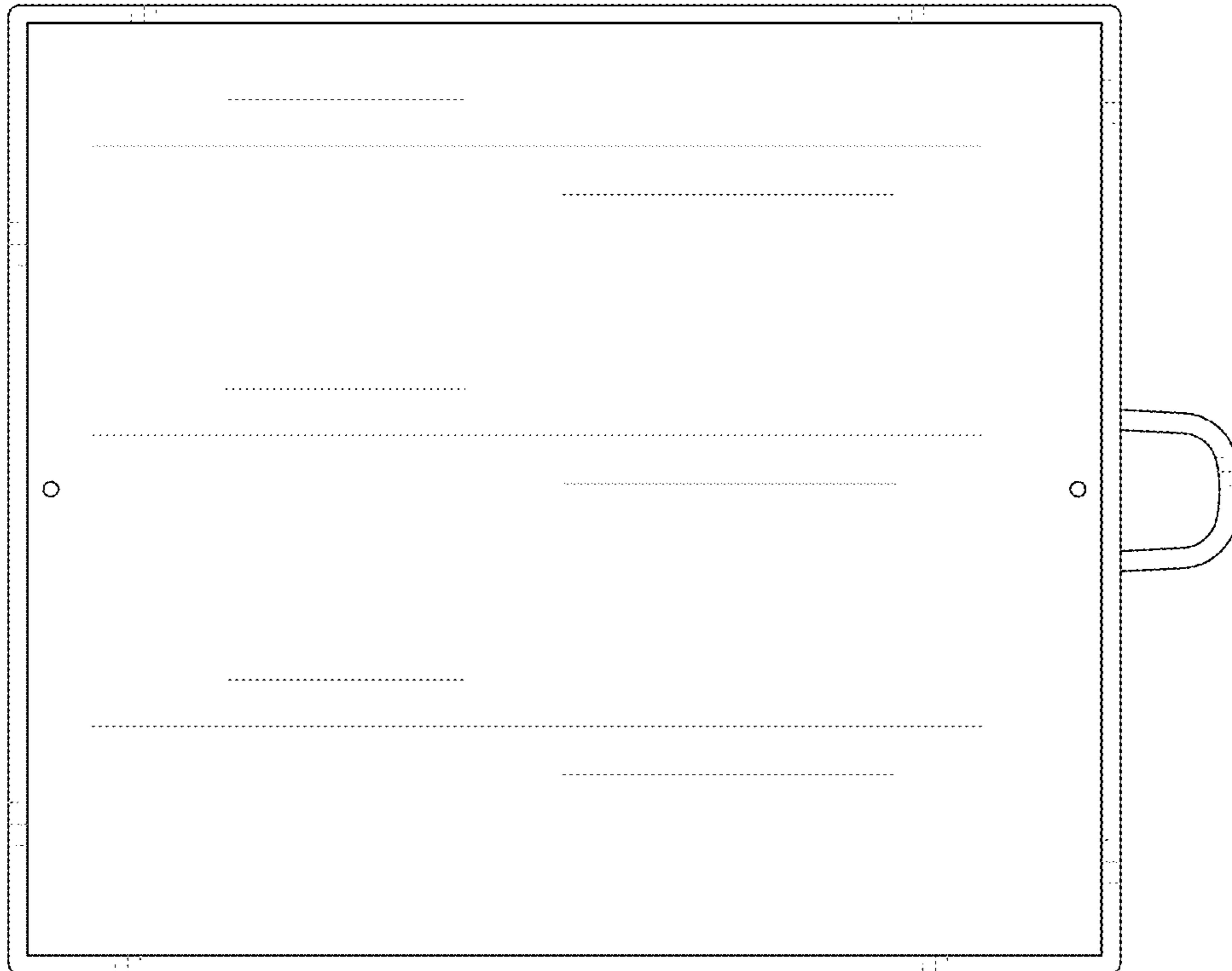


FIG. 1

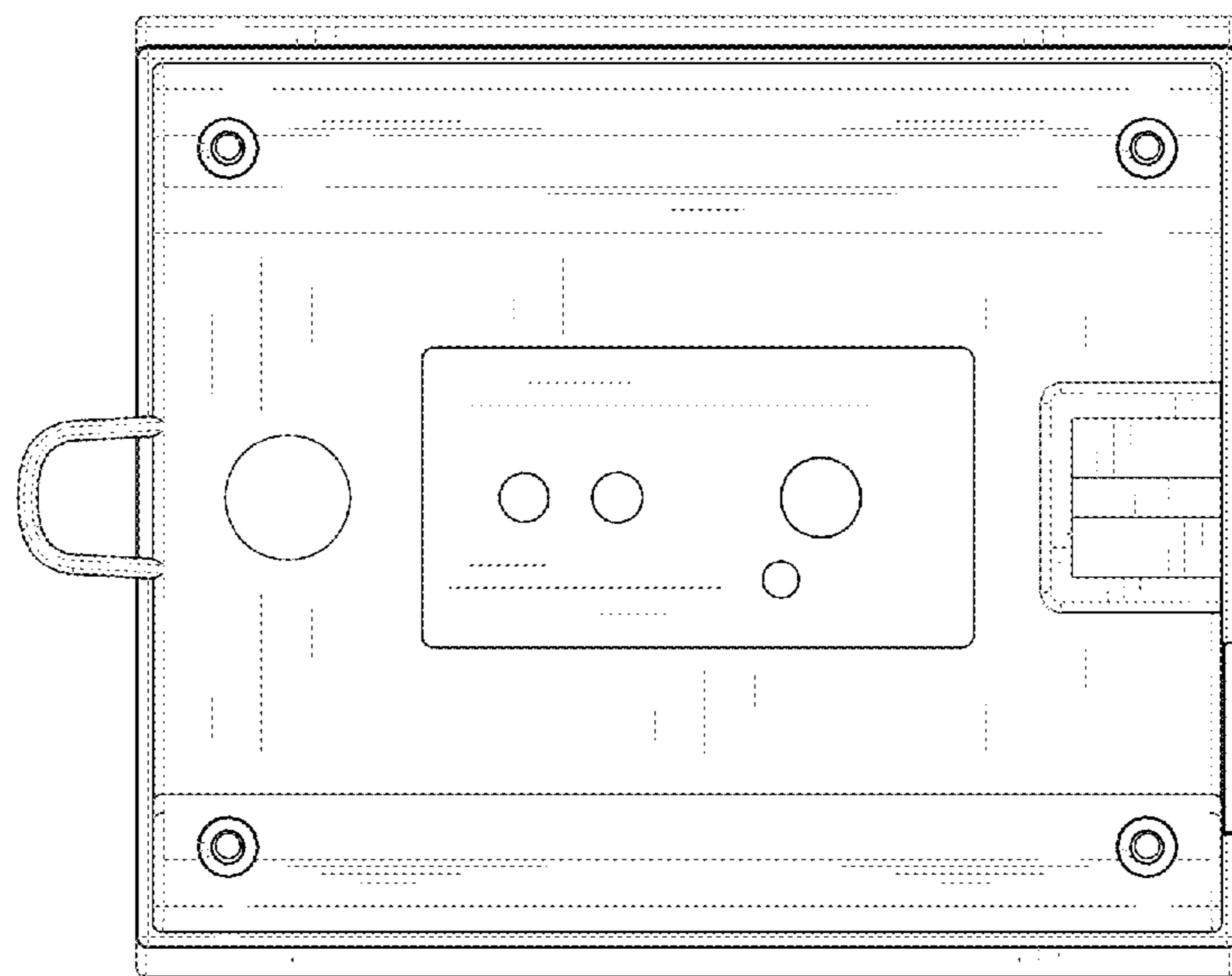


FIG. 2

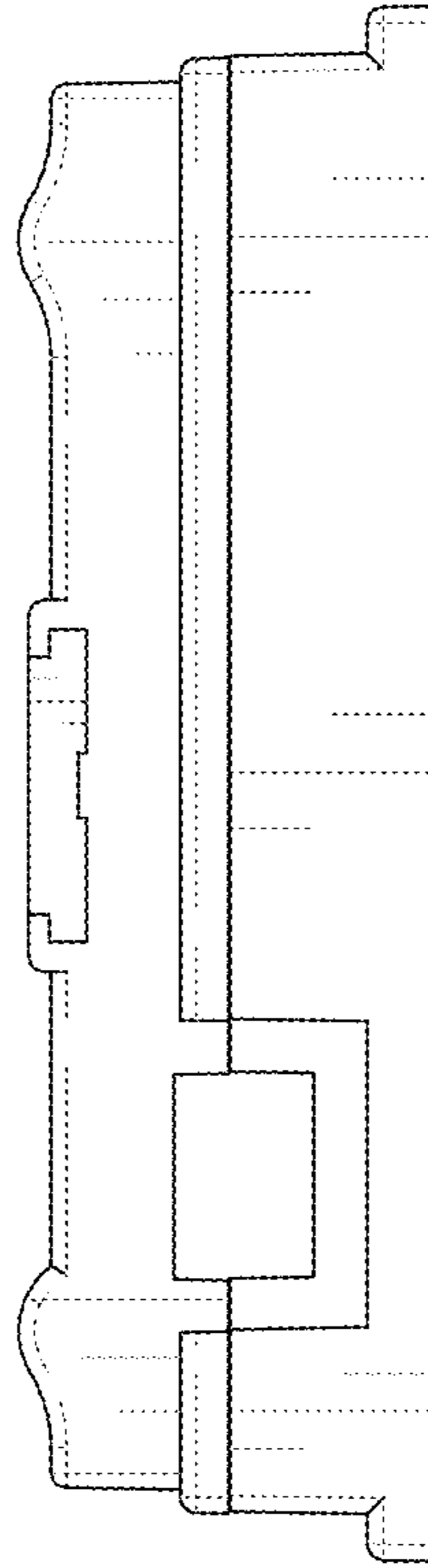


FIG. 3

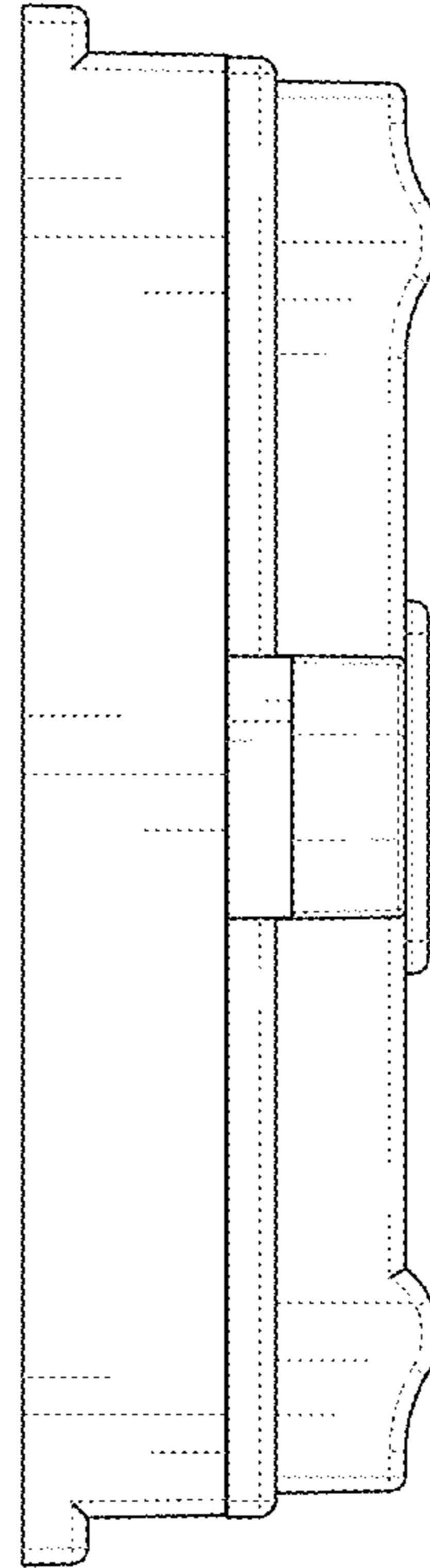


FIG. 4

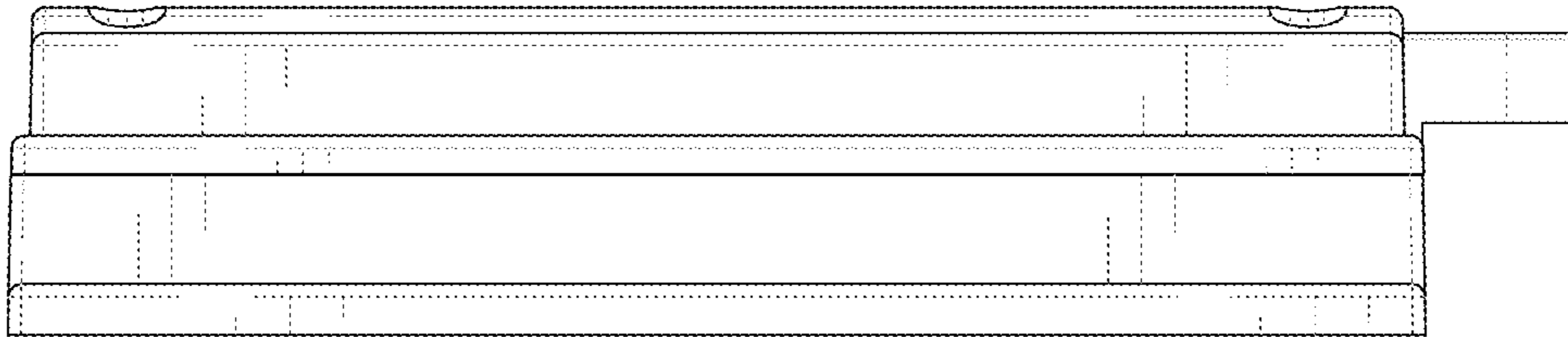


FIG. 5

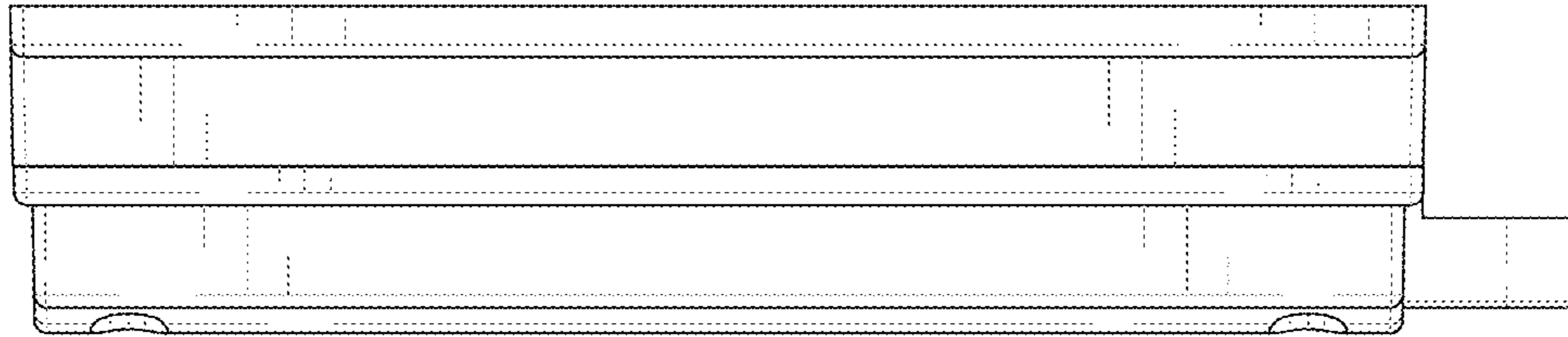


FIG. 6

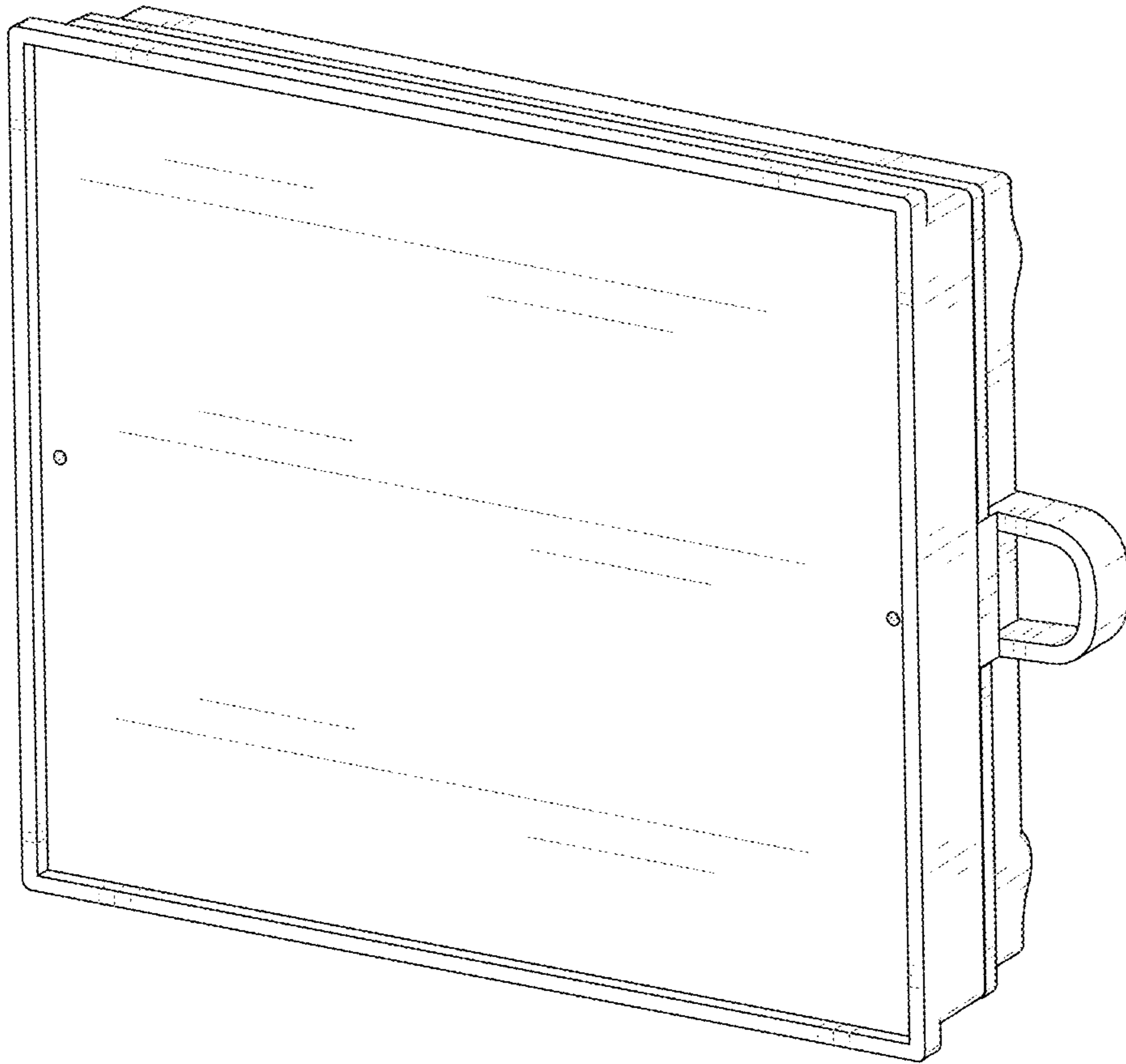


FIG. 7

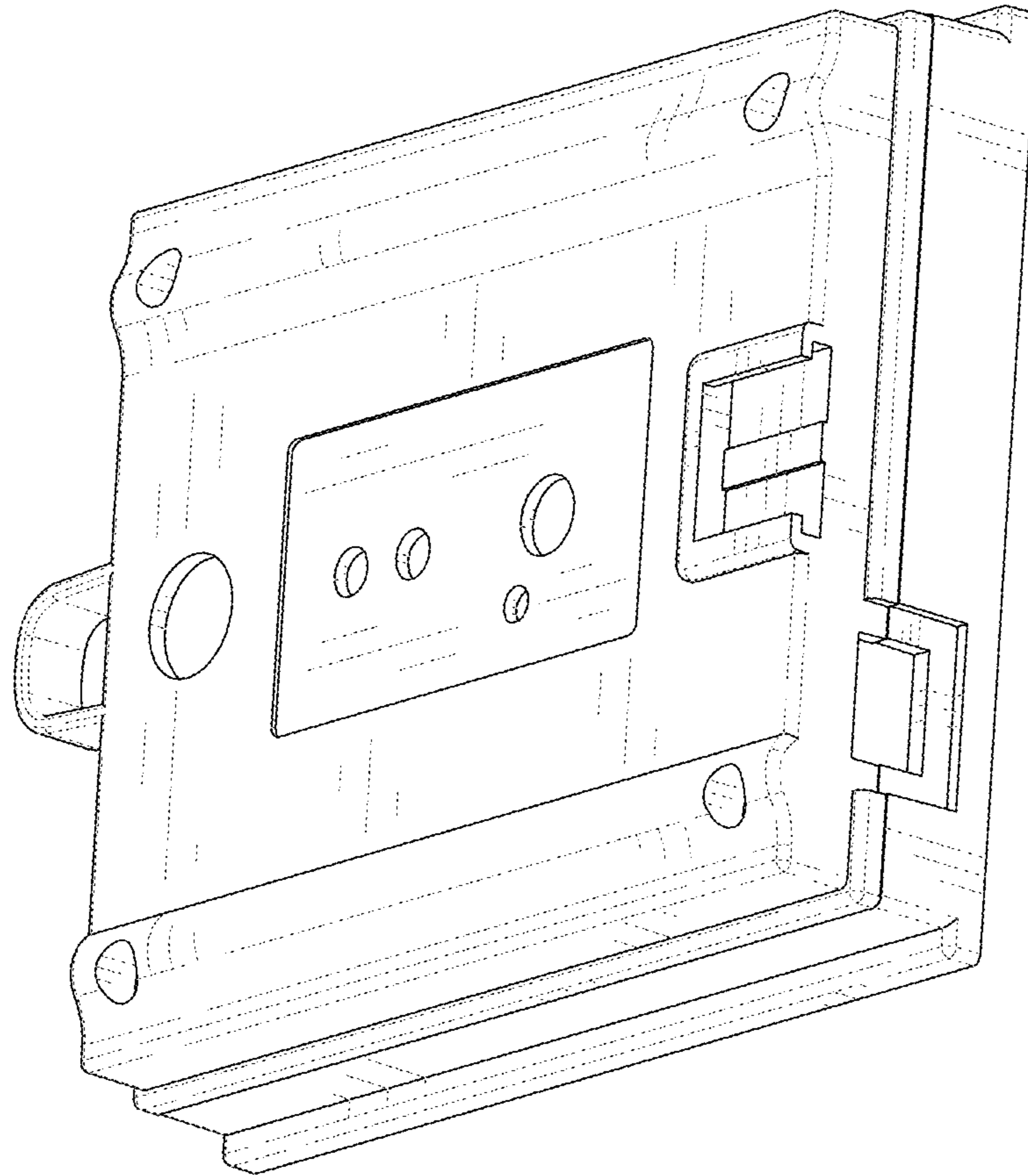


FIG. 8