



US00D947138S

(12) **United States Design Patent**  
**Chen**

(10) **Patent No.:** **US D947,138 S**

(45) **Date of Patent:** **\*\* Mar. 29, 2022**

(54) **TABLE LIFT CONTROLLER**

(71) Applicant: **TIMOTION TECHNOLOGY CO., LTD.**, New Taipei (TW)

(72) Inventor: **Yi-Chun Chen**, New Taipei (TW)

(73) Assignee: **TIMOTION TECHNOLOGY CO., LTD.**, New Taipei (TW)

(\*\*) Term: **15 Years**

(21) Appl. No.: **29/758,654**

(22) Filed: **Nov. 17, 2020**

(51) **LOC (13) Cl.** ..... **13-03**

(52) **U.S. Cl.**  
USPC ..... **D13/162**

(58) **Field of Classification Search**  
USPC ..... D13/162, 168  
CPC .. H01H 3/00; H01H 3/02; H01H 3/04; H01H 3/06; H01H 9/02; H01H 13/02; H01H 13/04; H01H 13/10; H01H 13/86; A47C 1/0345; A47C 1/035; A47B 21/02; A47B 9/00; A61G 13/02; A61G 7/018; G05B 15/02

See application file for complete search history.

(56) **References Cited**

**U.S. PATENT DOCUMENTS**

- 7,538,284 B2 \* 5/2009 Nielsen ..... A47B 9/00 200/61.7
- D820,221 S \* 6/2018 Yang ..... D13/164
- D825,493 S \* 8/2018 Chen ..... D13/164
- D833,981 S \* 11/2018 Seal ..... D13/162
- D846,503 S \* 4/2019 Yang ..... D13/162

- D847,100 S \* 4/2019 Yang ..... D13/162
- D850,390 S \* 6/2019 Yang ..... D13/164
- D851,603 S \* 6/2019 Shen ..... D13/162
- D851,604 S \* 6/2019 Zhuang ..... D13/162
- D891,900 S \* 8/2020 Chen ..... D8/307
- D896,609 S \* 9/2020 Chen ..... D8/307
- D938,371 S \* 12/2021 Shen ..... D13/168
- 2018/0168335 A1 \* 6/2018 Seal ..... A47B 9/20
- 2020/0089361 A1 \* 3/2020 Lu ..... A47B 9/00
- 2021/0100352 A1 \* 4/2021 Wolf ..... H01H 23/30

\* cited by examiner

*Primary Examiner* — Selina Sikder

(74) *Attorney, Agent, or Firm* — Chun-Ming Shih; HDLS IPR Services

(57) **CLAIM**

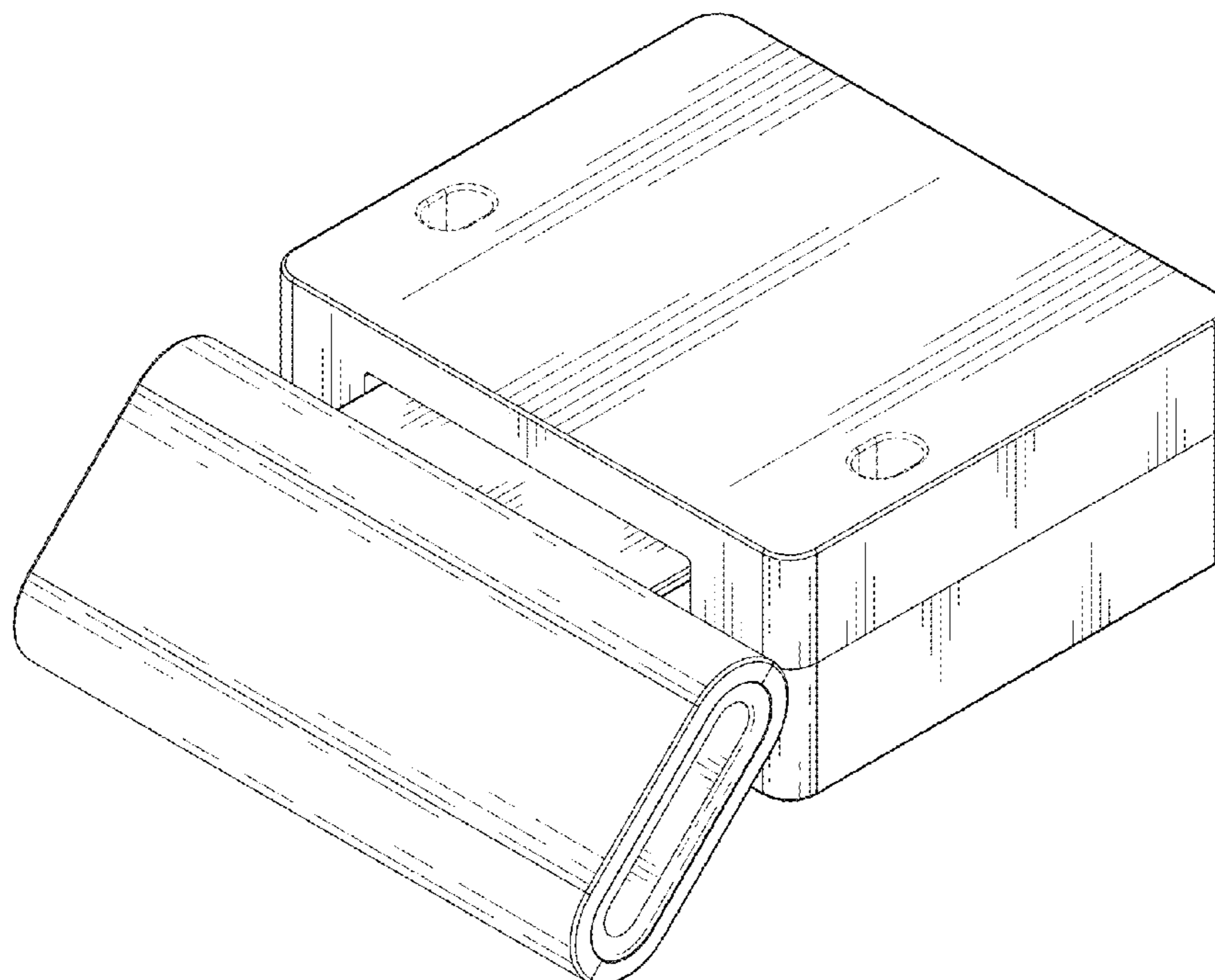
The ornamental design for a table lift controller, as shown and described.

**DESCRIPTION**

FIG. 1 is a perspective view of a table lift controller showing my new design;  
 FIG. 2 is a front view thereof;  
 FIG. 3 is a rear view thereof;  
 FIG. 4 is a left side view thereof;  
 FIG. 5 is a right side view thereof;  
 FIG. 6 is a top view thereof;  
 FIG. 7 is a bottom view thereof; and,  
 FIG. 8 is a second perspective view showing the table lift controller.

The broken lines in the drawings illustrate portions of the table lift controller that form no part of the claimed design.

**1 Claim, 8 Drawing Sheets**



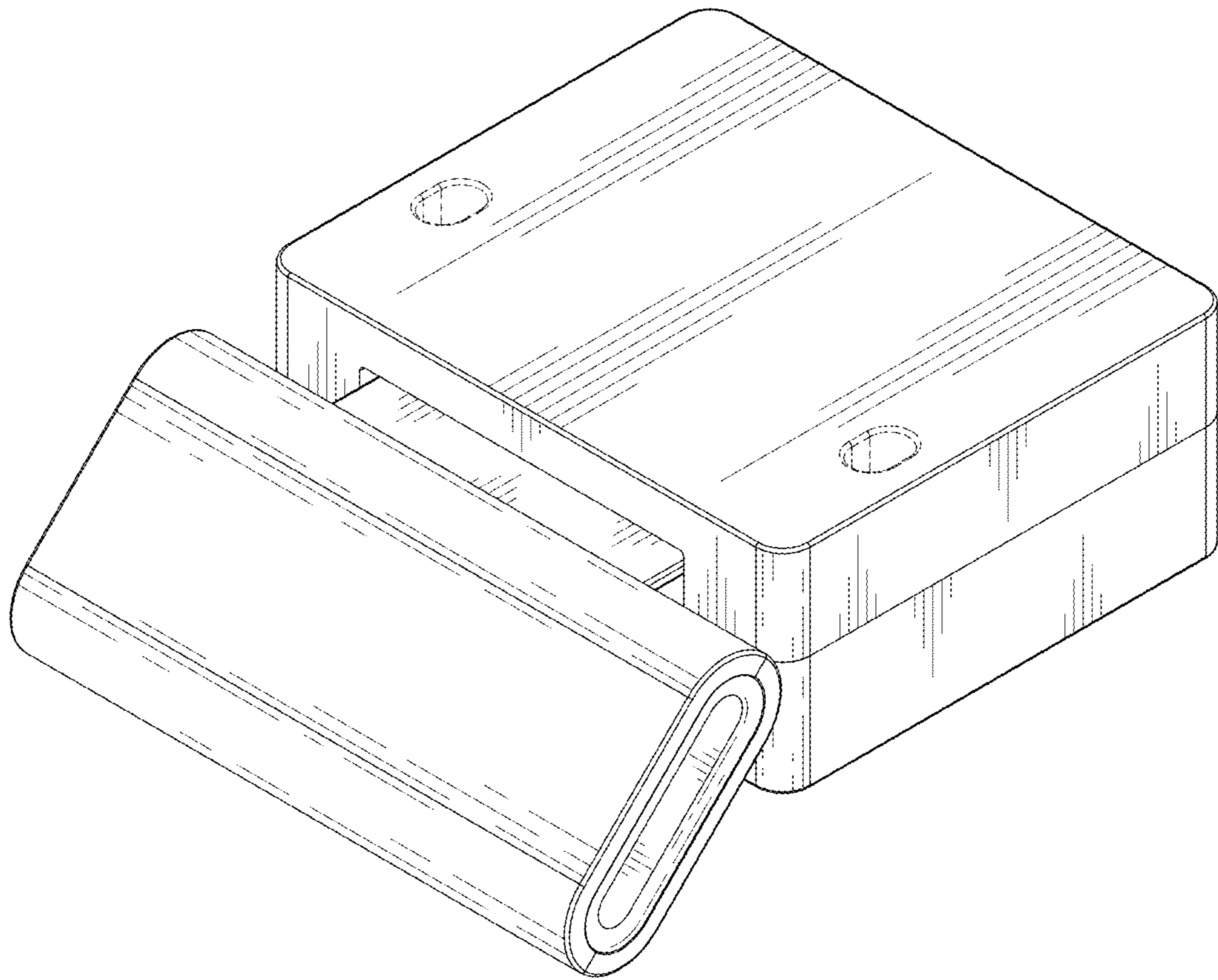


FIG.1

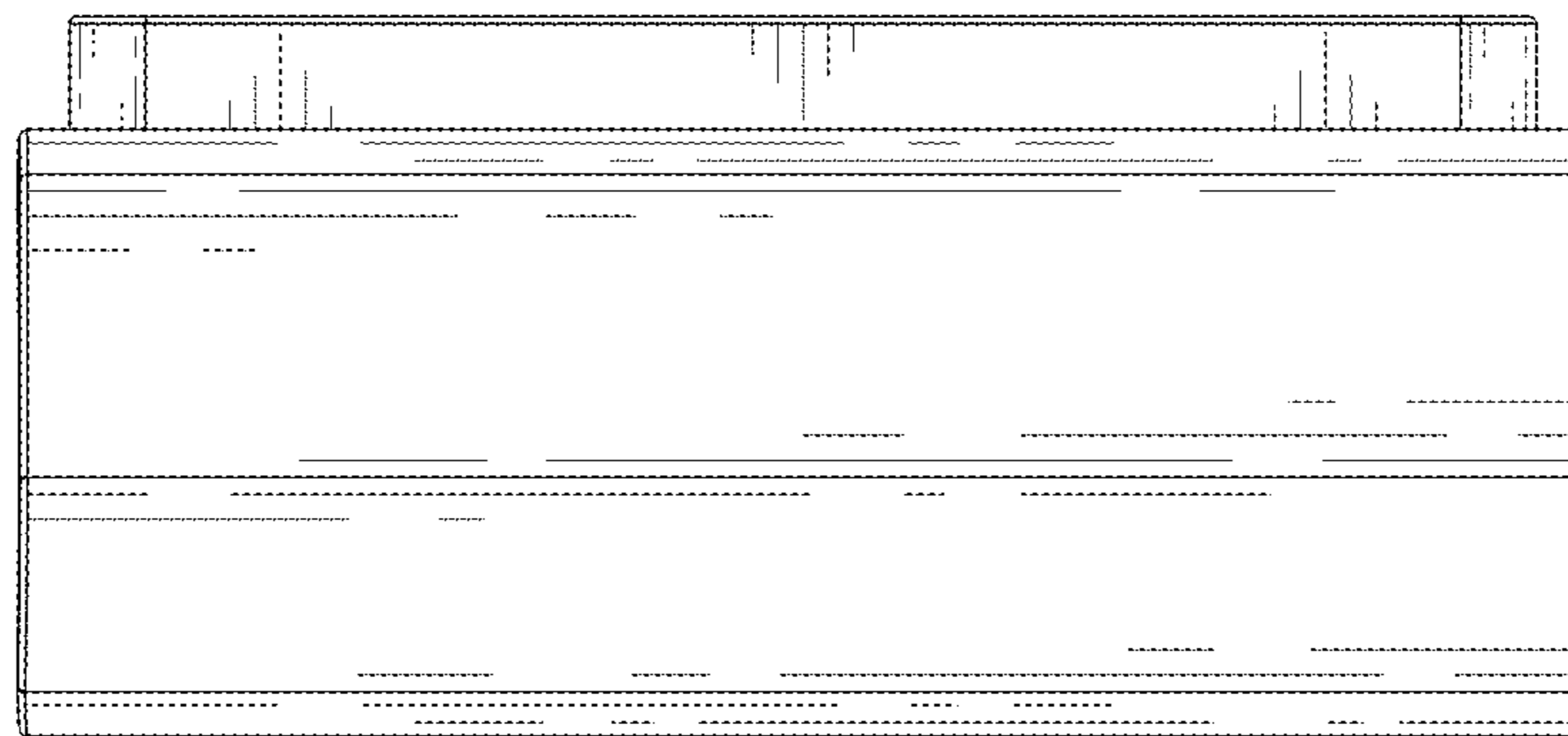


FIG.2

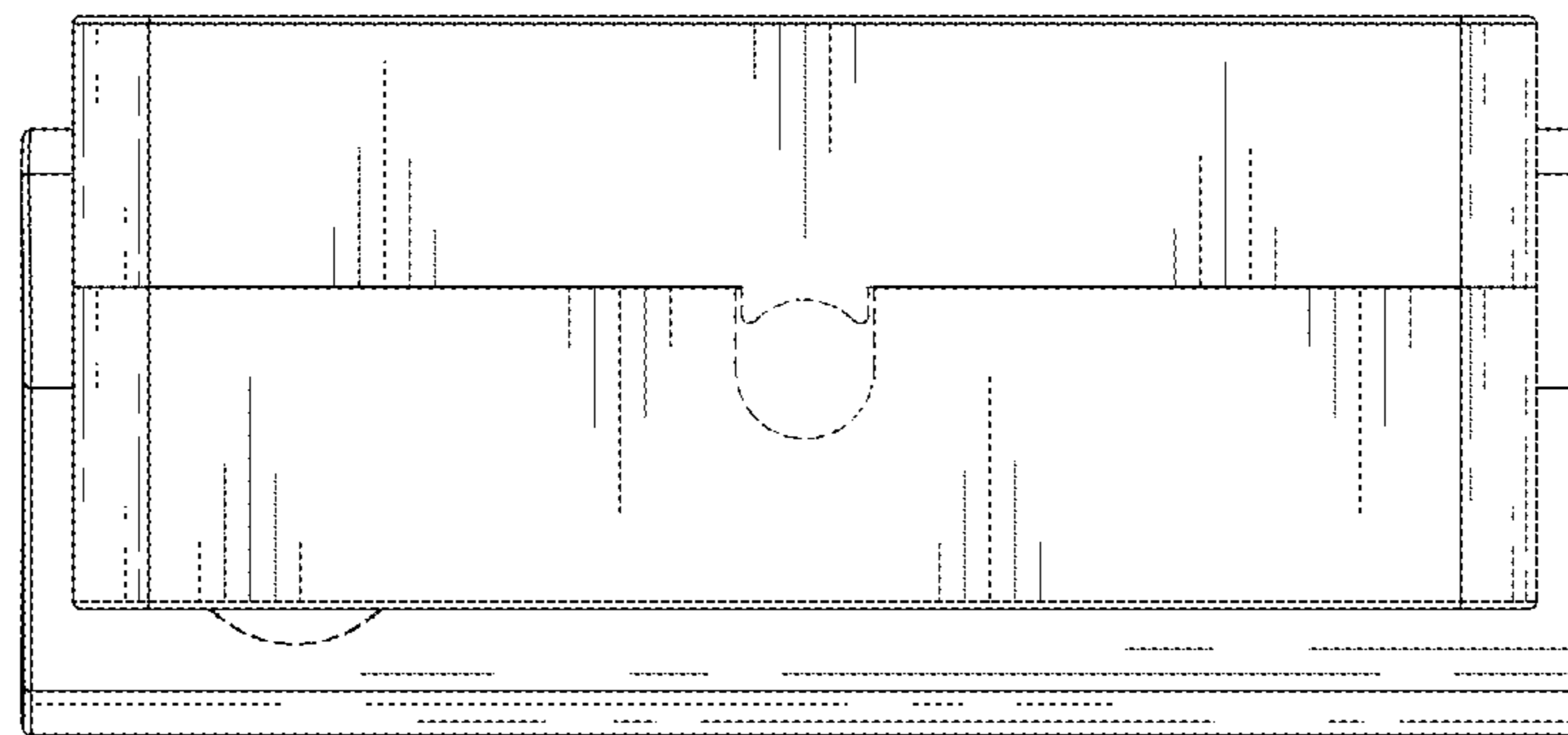


FIG.3

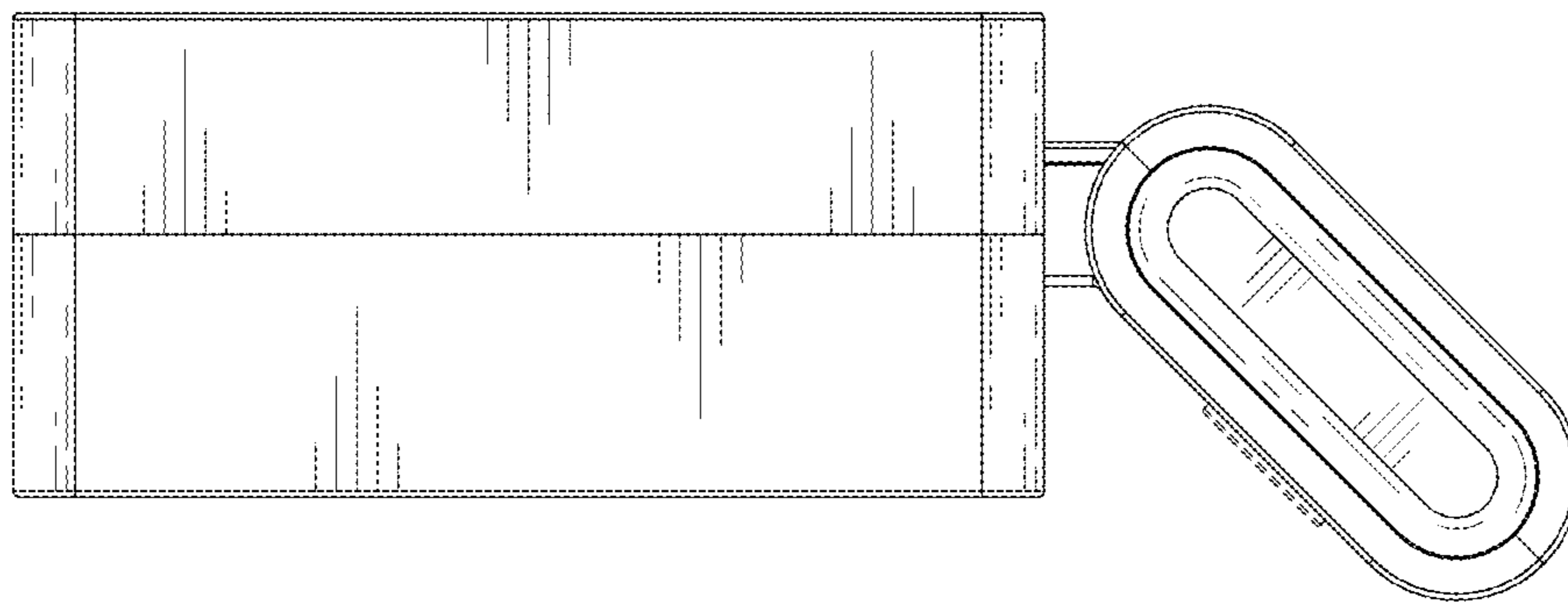


FIG.4

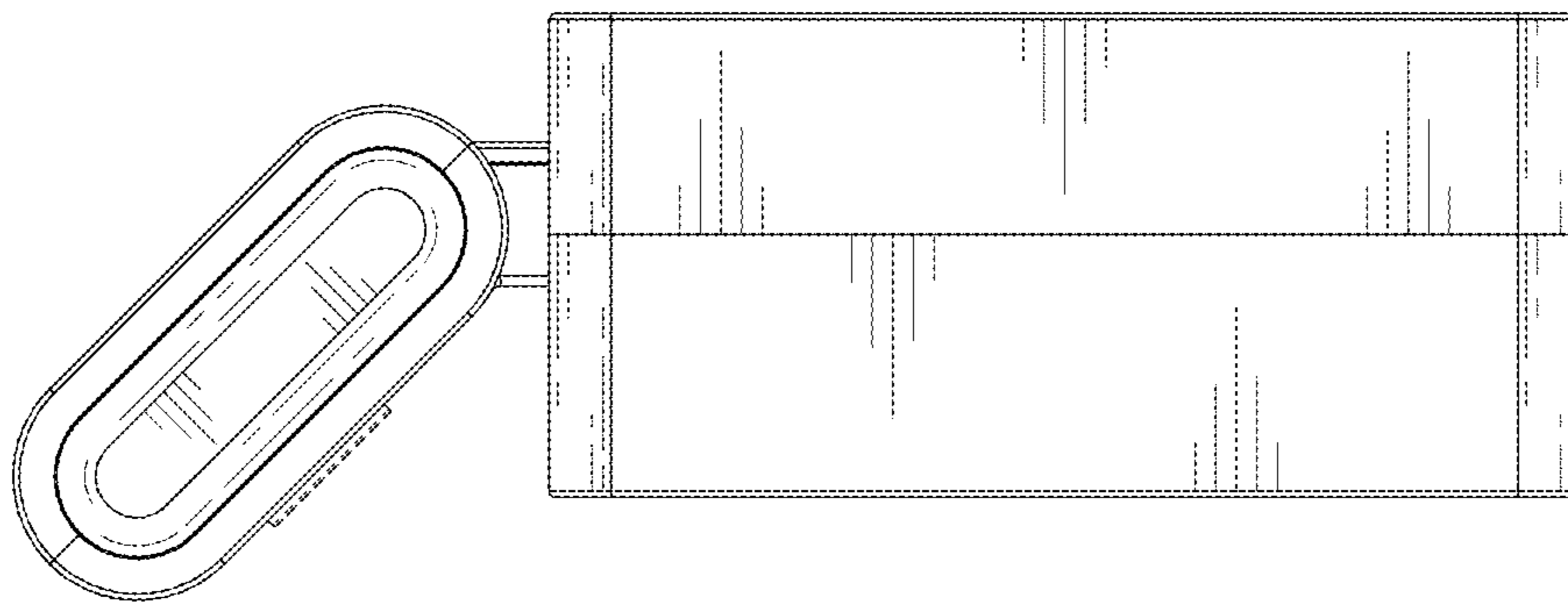


FIG.5

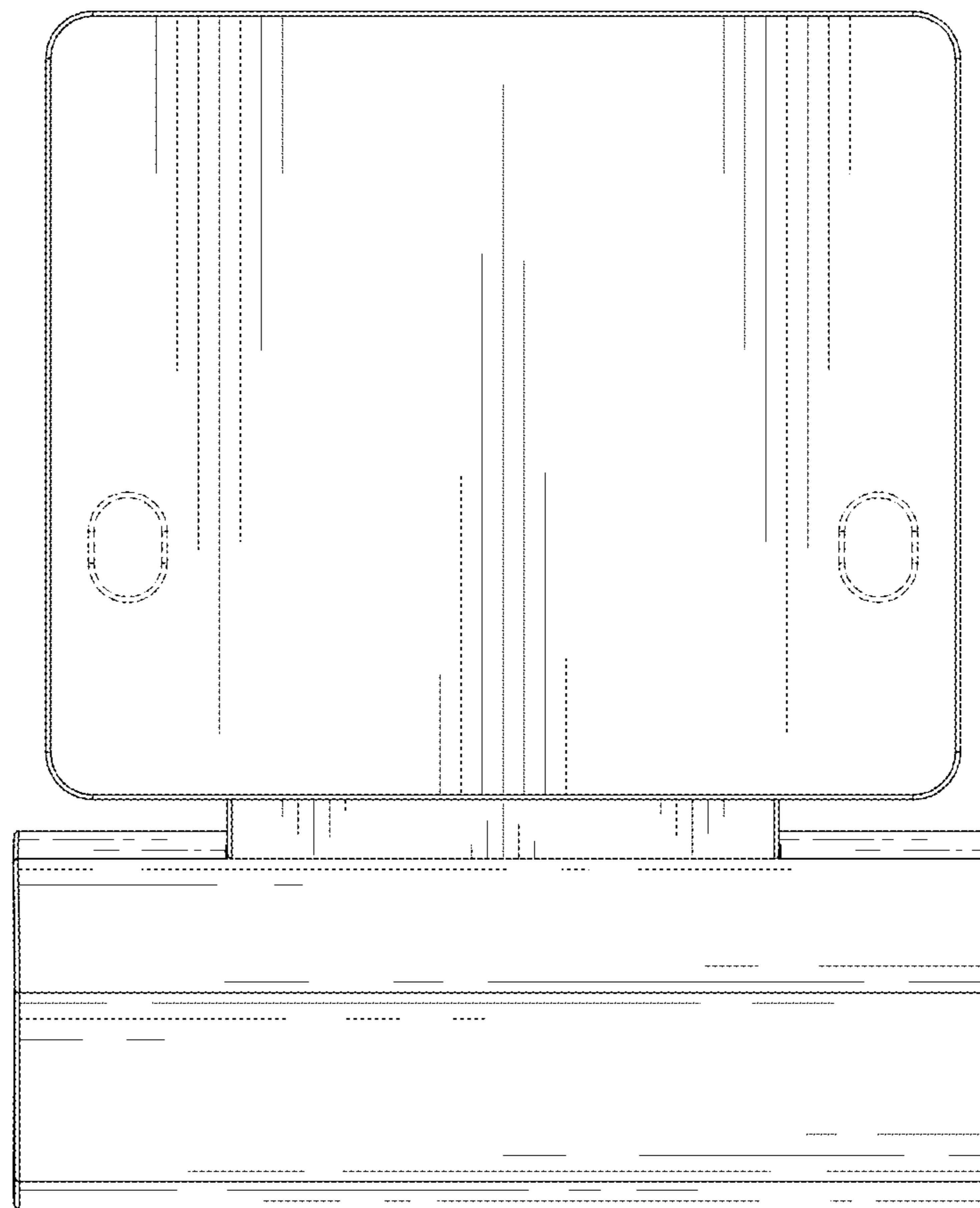


FIG.6

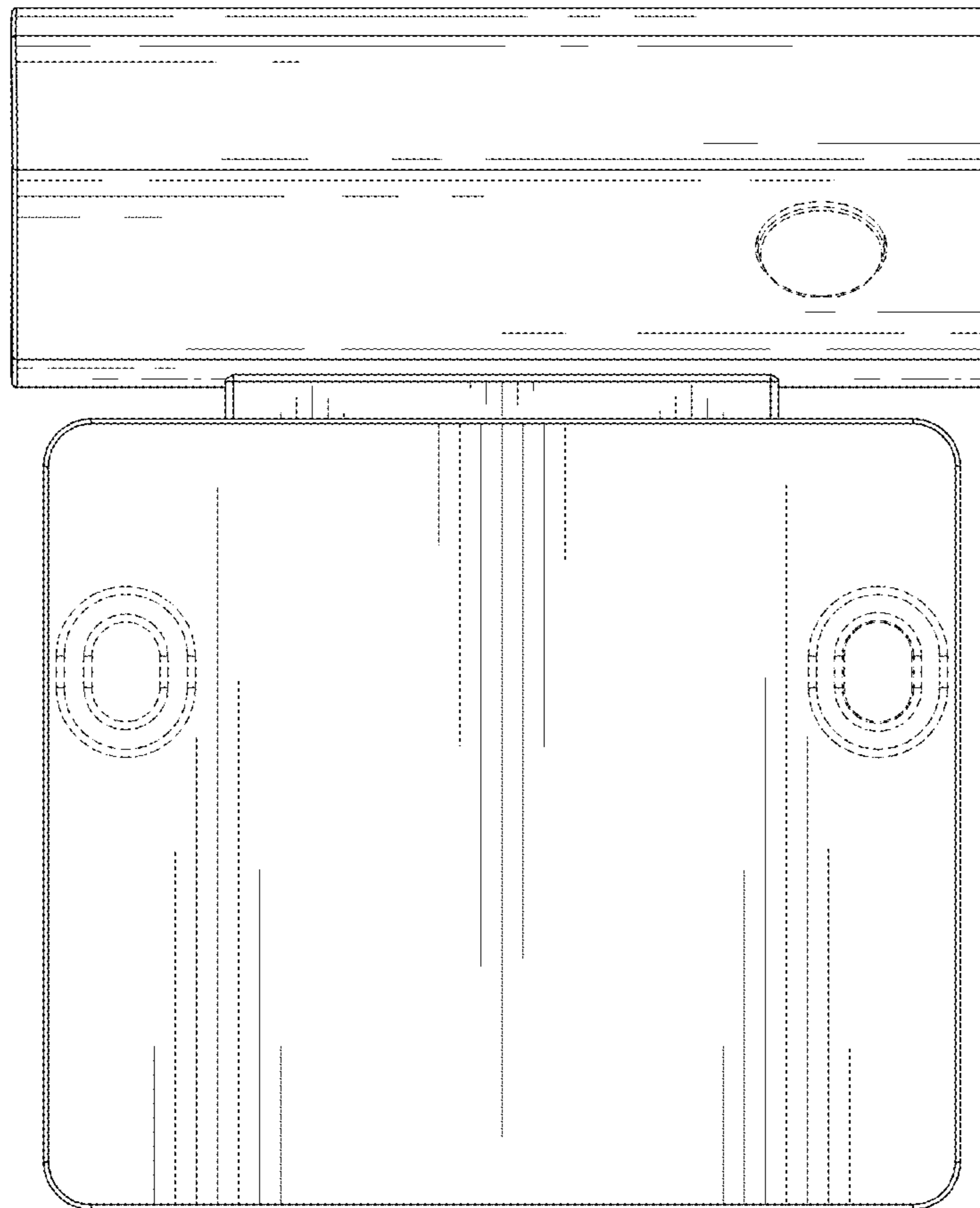


FIG.7



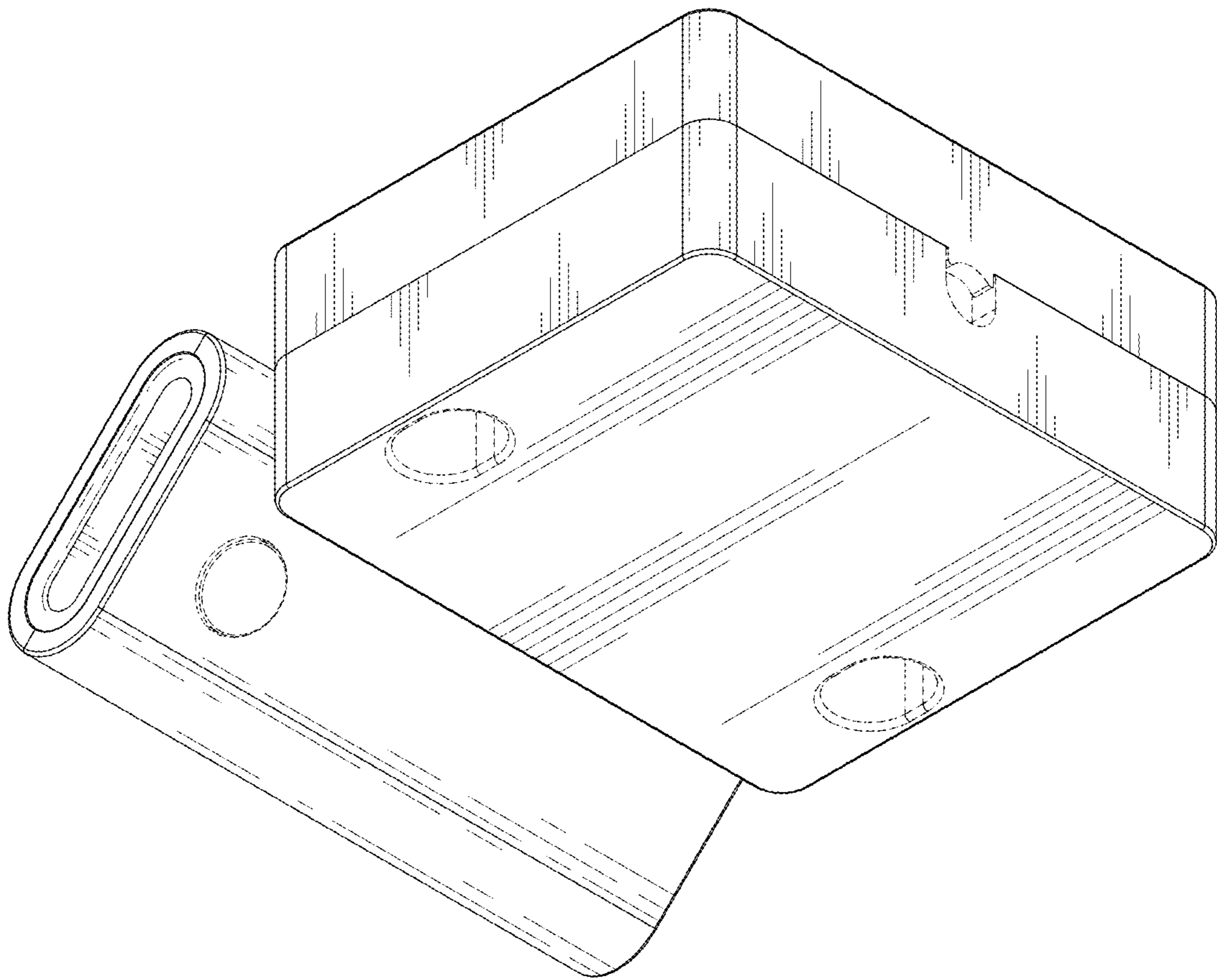


FIG.8