



US00D947136S

(12) **United States Design Patent**
Välivainio et al.

(10) **Patent No.:** **US D947,136 S**
(45) **Date of Patent:** **** Mar. 29, 2022**

(54) **EQUIPMENT FOR DISTRIBUTION OR CONTROL OF ELECTRIC POWER**

(71) Applicant: **ABB Schweiz AG**, Baden (CH)

(72) Inventors: **Mikko Välivainio**, Vaasa (FI); **Fredrik Strand**, Sundom (FI); **Antti Elo**, Vaasa (FI)

(73) Assignee: **ABB Schweiz AG**, Baden (CH)

(**) Term: **15 Years**

(21) Appl. No.: **29/776,006**

(22) Filed: **Mar. 26, 2021**

Related U.S. Application Data

(62) Division of application No. 29/667,553, filed on Oct. 23, 2018.

(30) **Foreign Application Priority Data**

Apr. 24, 2018 (EM) 005245982

(51) **LOC (13) Cl.** **13-03**

(52) **U.S. Cl.**
USPC **D13/158**

(58) **Field of Classification Search**
USPC D13/158, 160

(Continued)

(56) **References Cited**

U.S. PATENT DOCUMENTS

6,459,353 B1 10/2002 Mattlar et al.
7,741,572 B2 6/2010 Mattlar et al.

(Continued)

Primary Examiner — Selina Sikder

(74) *Attorney, Agent, or Firm* — Leydig, Voit & Mayer, Ltd.

(57) **CLAIM**

The ornamental design for equipment for distribution or control of electric power, as shown and described.

DESCRIPTION

FIG. 1 illustrates a front side perspective view of a first embodiment of equipment for distribution or control of electric power.

FIG. 2 illustrates a front side view of the equipment shown in FIG. 1.

FIG. 3 illustrates a right side view of the equipment shown in FIG. 1.

FIG. 4 illustrates a left side view of the equipment shown in FIG. 1.

FIG. 5 illustrates a rear side view of the equipment shown in FIG. 1.

FIG. 6 illustrates a top side view of the equipment shown in FIG. 1.

FIG. 7 illustrates a bottom side view of the equipment shown in FIG. 1.

FIG. 8 illustrates a front side perspective view of a second embodiment of equipment for distribution or control of electric power.

FIG. 9 illustrates a front side view of the equipment shown in FIG. 8.

FIG. 10 illustrates a right side view of the equipment shown in FIG. 8.

FIG. 11 illustrates a left side view of the equipment shown in FIG. 8.

FIG. 12 illustrates a rear side view of the equipment shown in FIG. 8.

FIG. 13 illustrates a top side view of the equipment shown in FIG. 8.

FIG. 14 illustrates a bottom side view of the equipment shown in FIG. 8.

FIG. 15 illustrates a front side perspective view of a third embodiment of equipment for distribution or control of electric power.

FIG. 16 illustrates a front side view of the equipment shown in FIG. 15.

FIG. 17 illustrates a right side view of the equipment shown in FIG. 15.

(Continued)

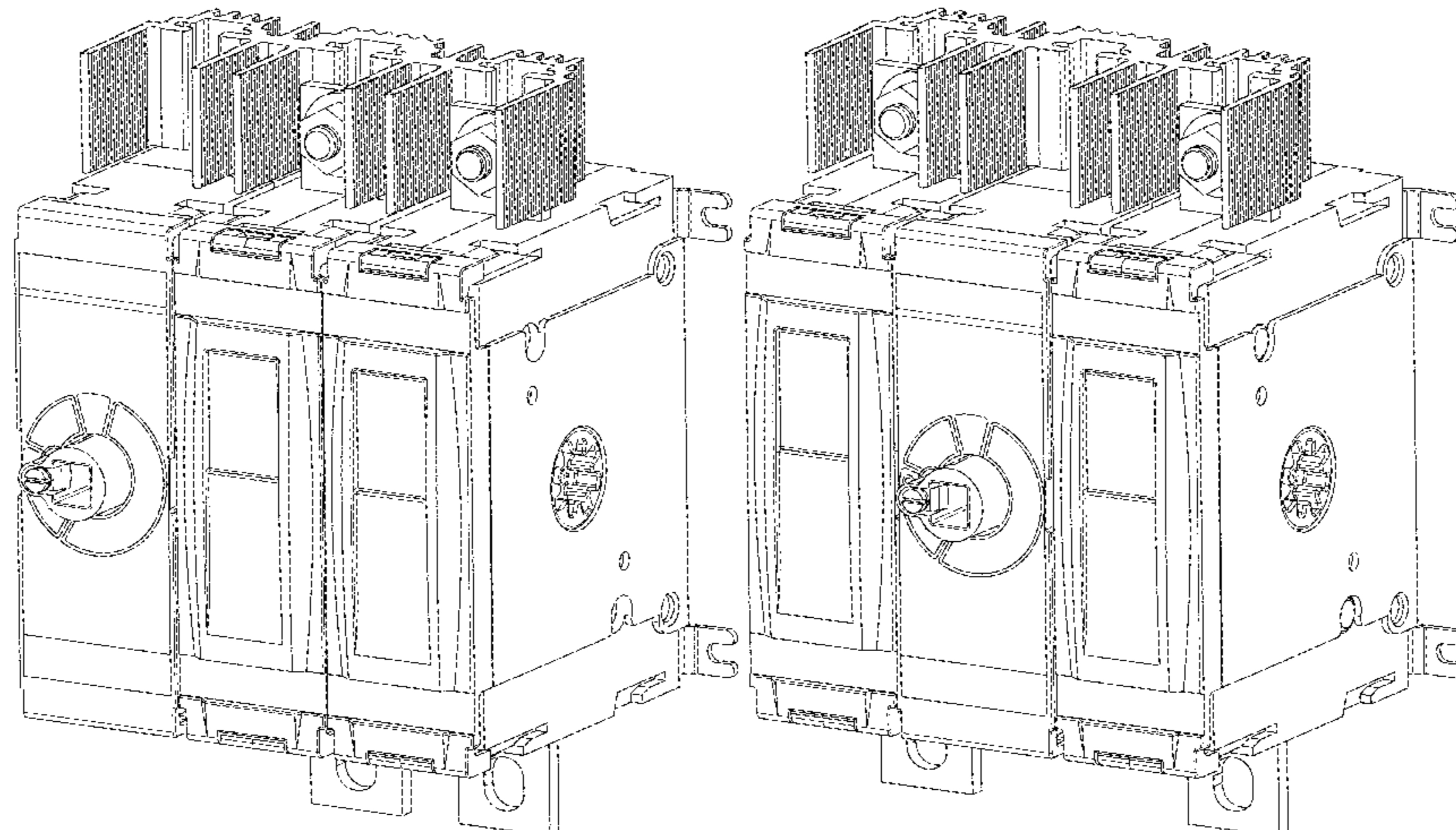


FIG. 18 illustrates a left side view of the equipment shown in FIG. 15.

FIG. 19 illustrates a rear side view of the equipment shown in FIG. 15.

FIG. 20 illustrates a top side view of the equipment shown in FIG. 15; and,

FIG. 21 illustrates a bottom side view of the equipment shown in FIG. 15.

The broken lines in the drawings depict portions of the equipment for distribution or control of electrical power that form no part of the claimed design.

1 Claim, 21 Drawing Sheets

(58) **Field of Classification Search**

CPC .. H01H 9/00; H01H 9/02; H01H 9/10; H01H 9/342; H01H 3/12; H01H 19/02; H01H 33/08; H01H 33/14

See application file for complete search history.

(56) **References Cited**

U.S. PATENT DOCUMENTS

D642,991 S 8/2011 Mattlar et al.

D653,624 S	2/2012	Mattlar et al.	
D654,441 S	2/2012	Mattlar et al.	
D655,680 S	3/2012	Mattlar et al.	
8,357,868 B2 *	1/2013	Soininen	H01H 71/56 200/336
D679,663 S	4/2013	Mattlar et al.	
8,575,504 B2	11/2013	Eisner	
D714,228 S	9/2014	Välvainio et al.	
D725,048 S	3/2015	Välvainio et al.	
D731,440 S	6/2015	Välvainio et al.	
D737,220 S	8/2015	Andersson et al.	
D737,221 S	8/2015	Andersson et al.	
D755,730 S	5/2016	Välvainio et al.	
D755,731 S	5/2016	Välvainio et al.	
D756,308 S	5/2016	Välvainio et al.	
D784,933 S	4/2017	Andersson et al.	
D791,085 S	7/2017	Rosenberg et al.	
D813,172 S	3/2018	Välvainio et al.	
D852,758 S *	7/2019	Uitto	D13/158
D863,229 S	10/2019	Välvainio et al.	
10,804,056 B2	10/2020	Strand et al.	
2010/0307895 A1	12/2010	Park et al.	
2011/0308928 A1	12/2011	Eisner	

* cited by examiner

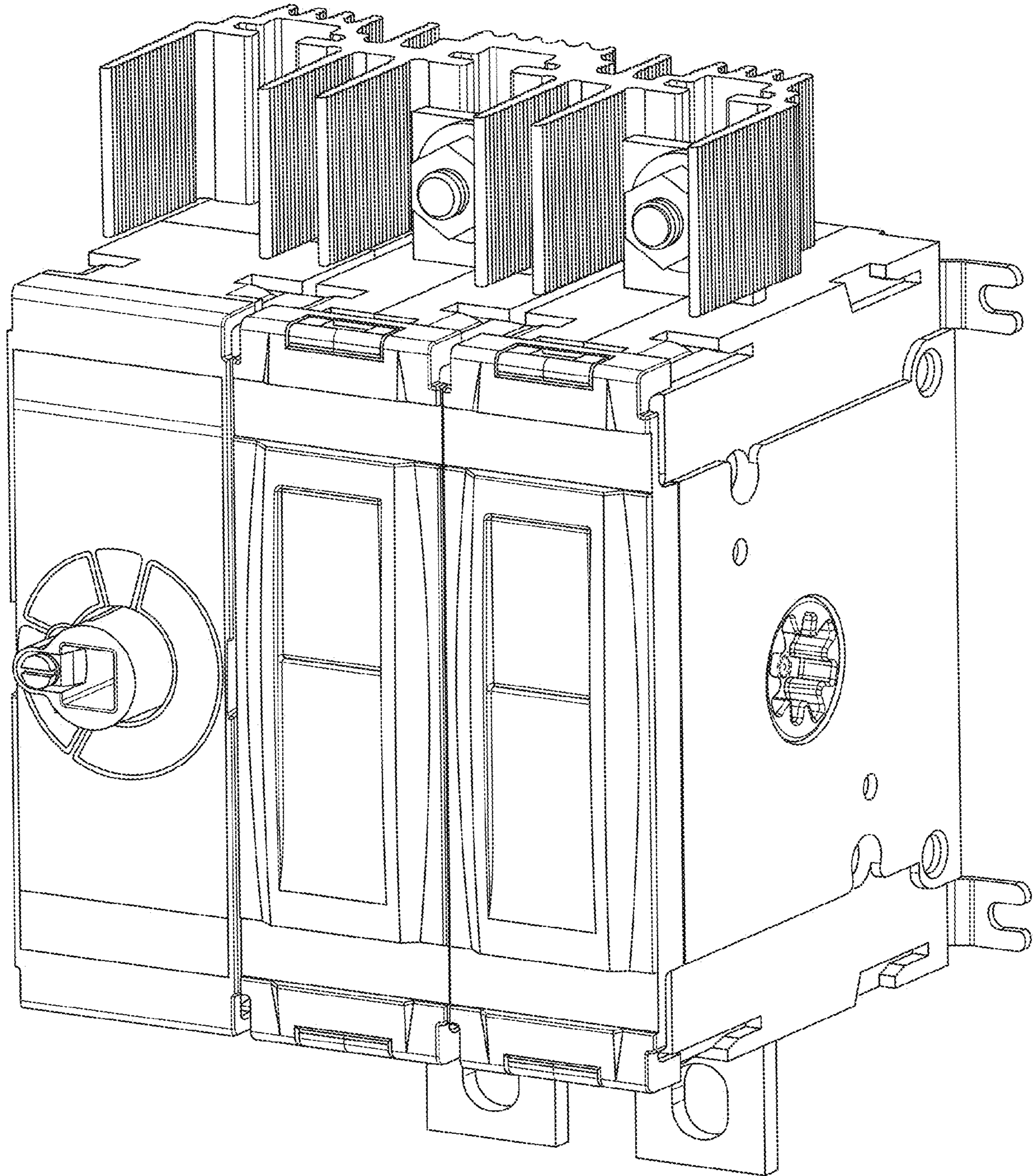


FIG. 1

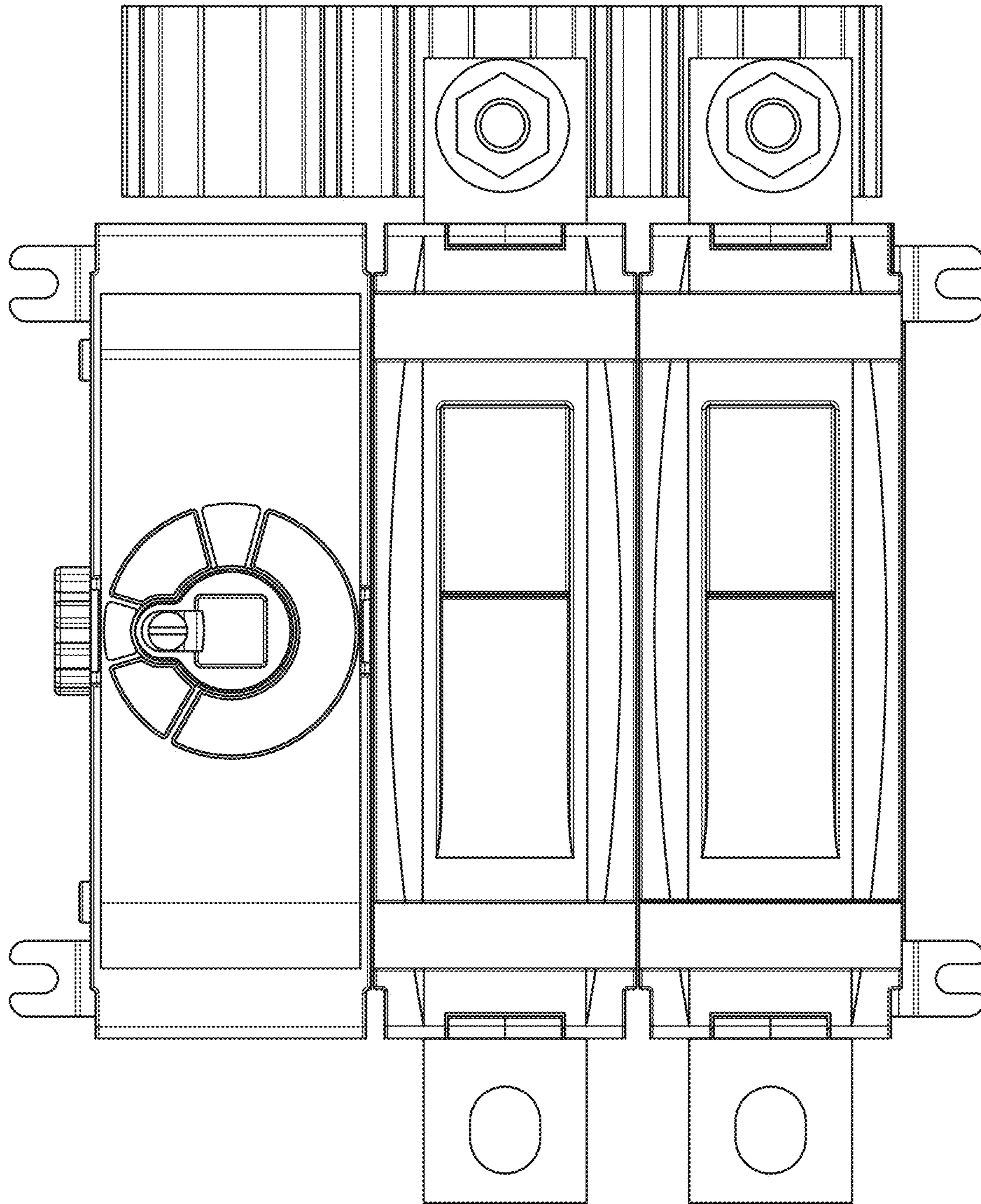


FIG. 2

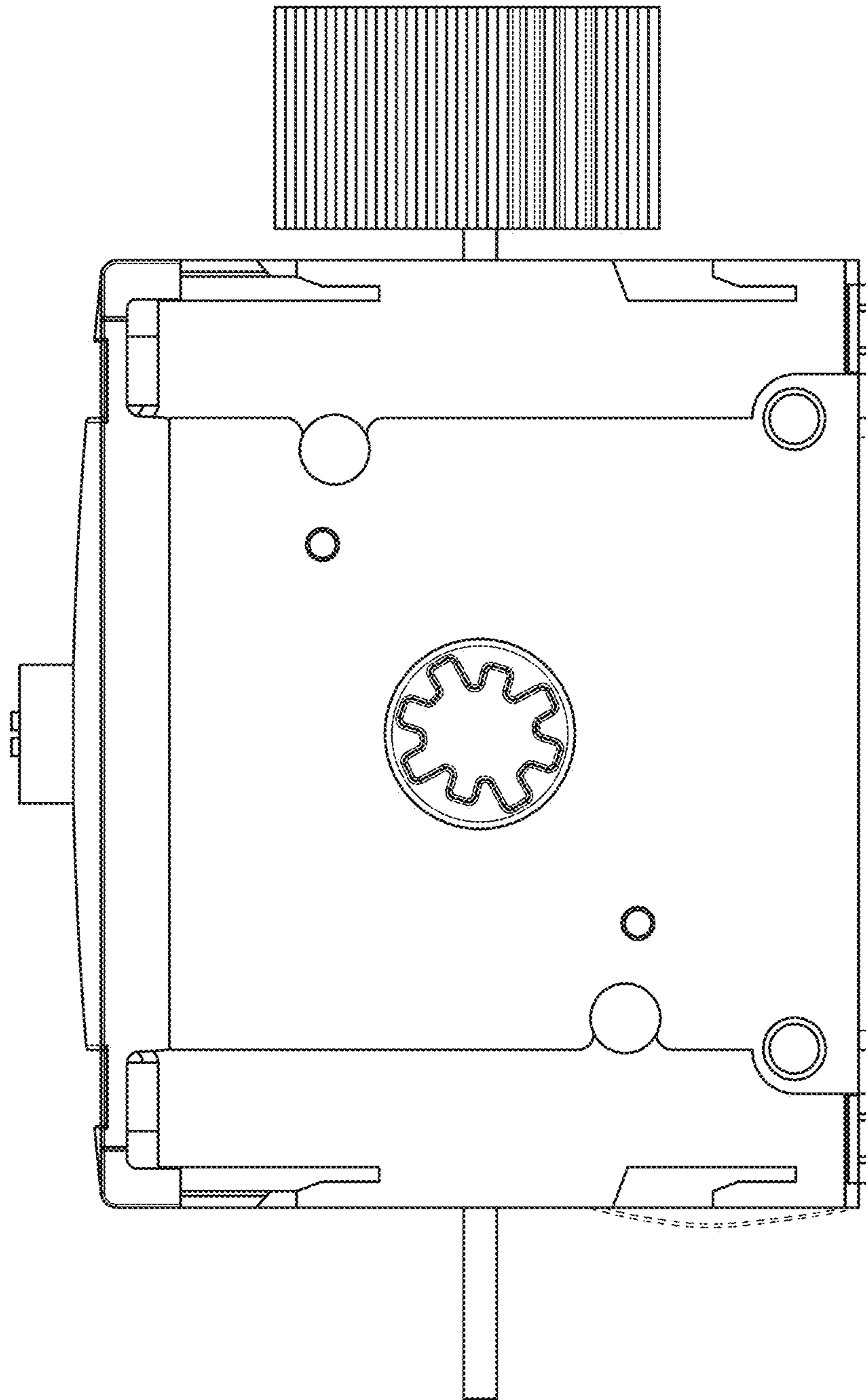


FIG. 3

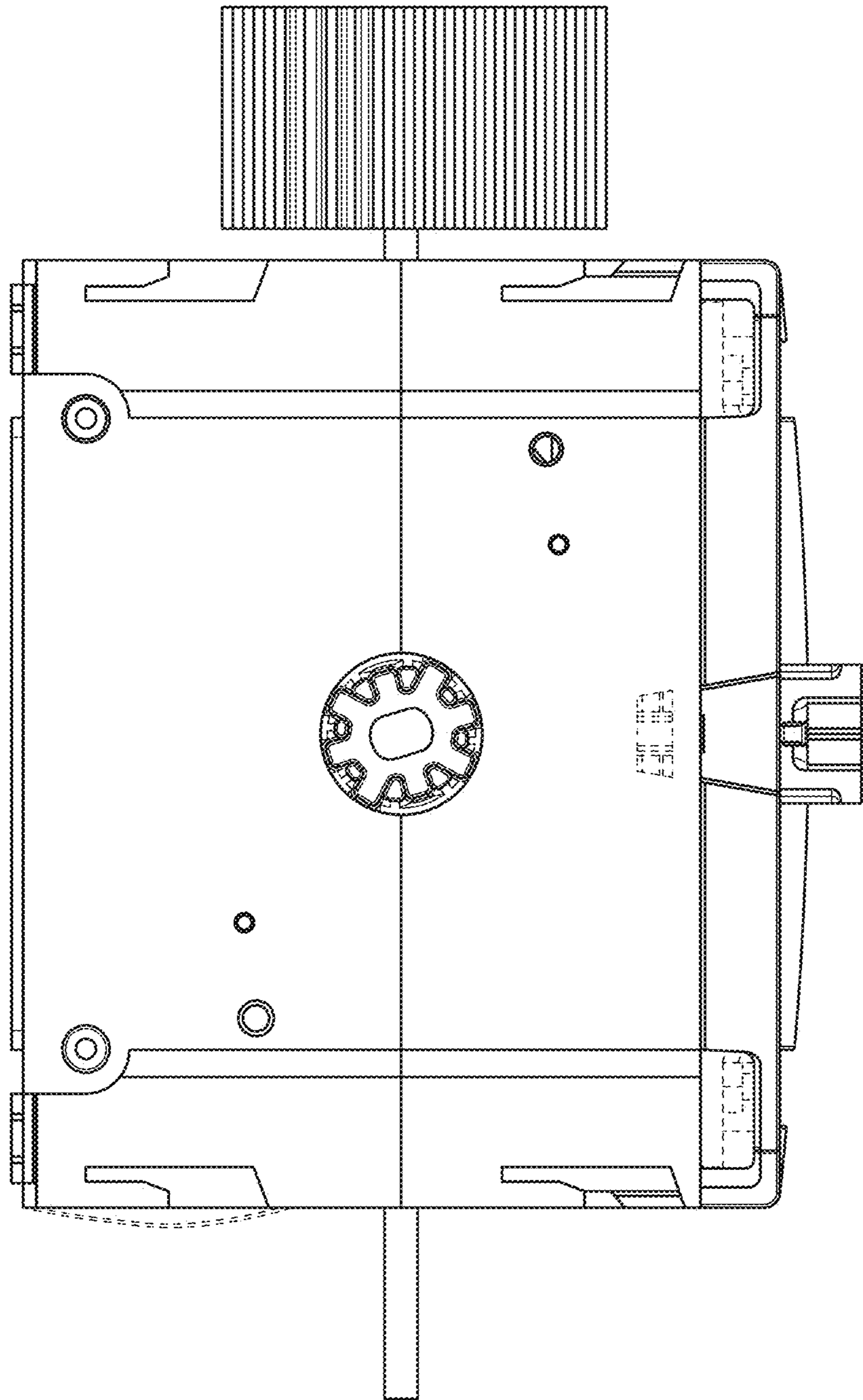


FIG. 4

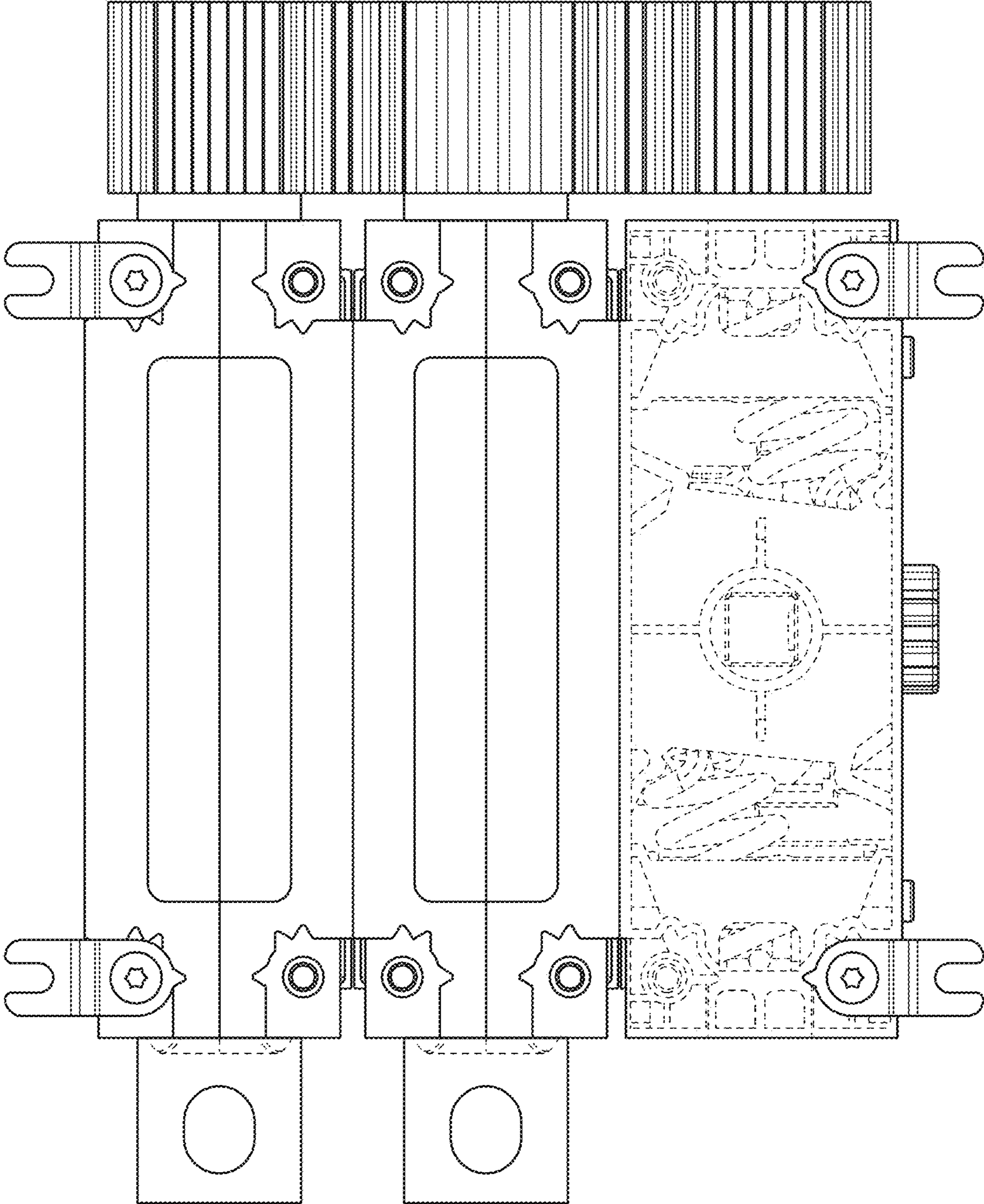


FIG. 5

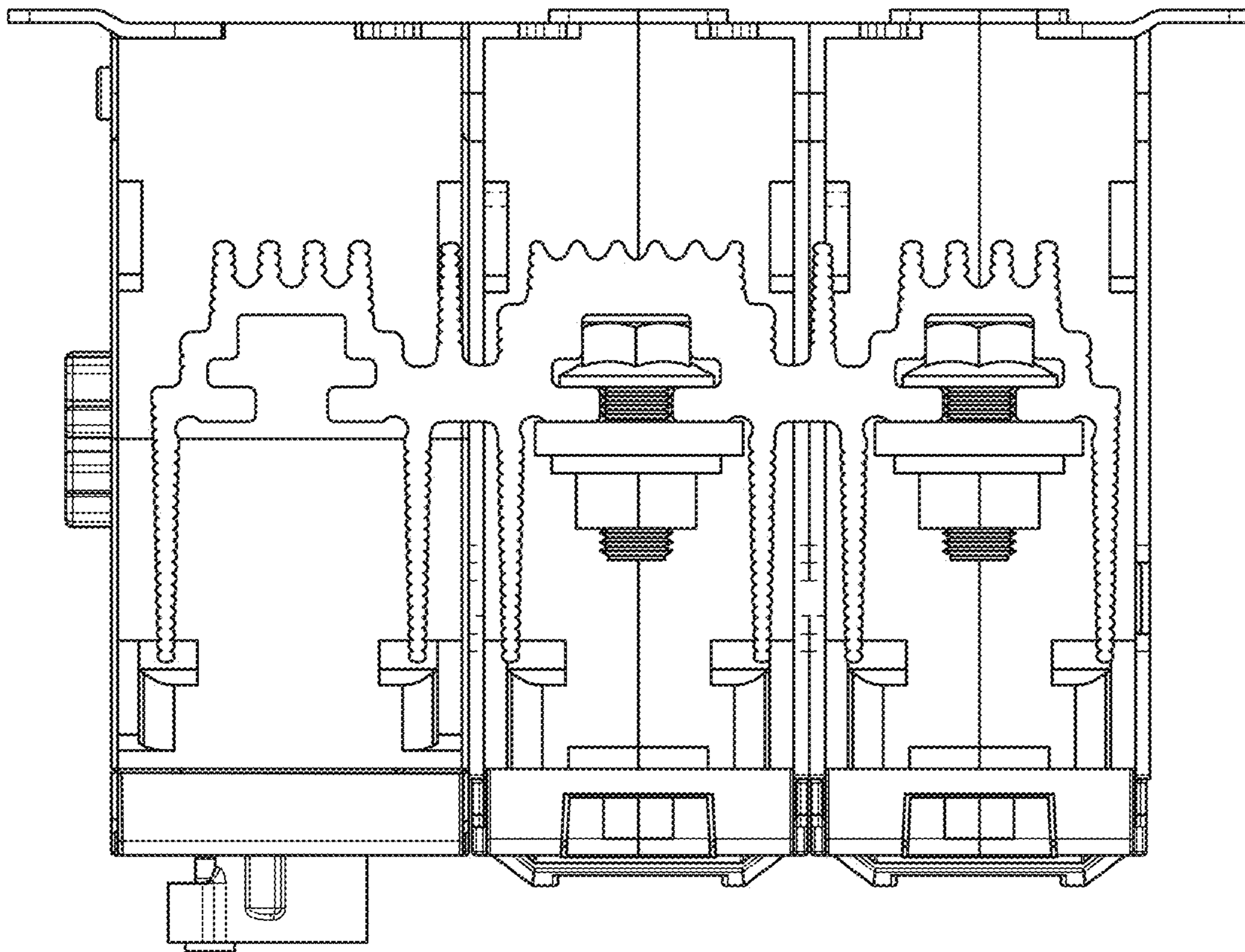


FIG. 6

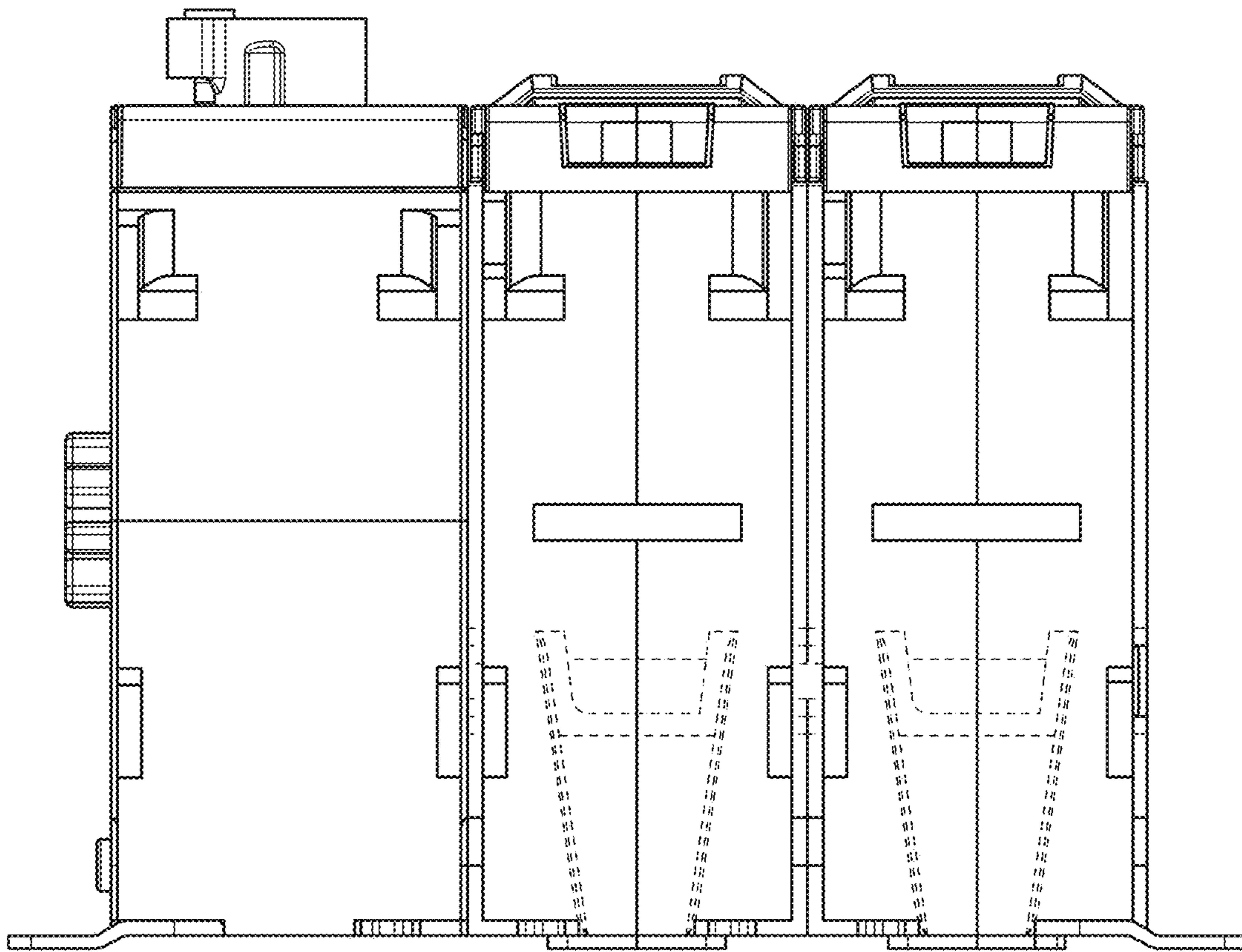


FIG. 7

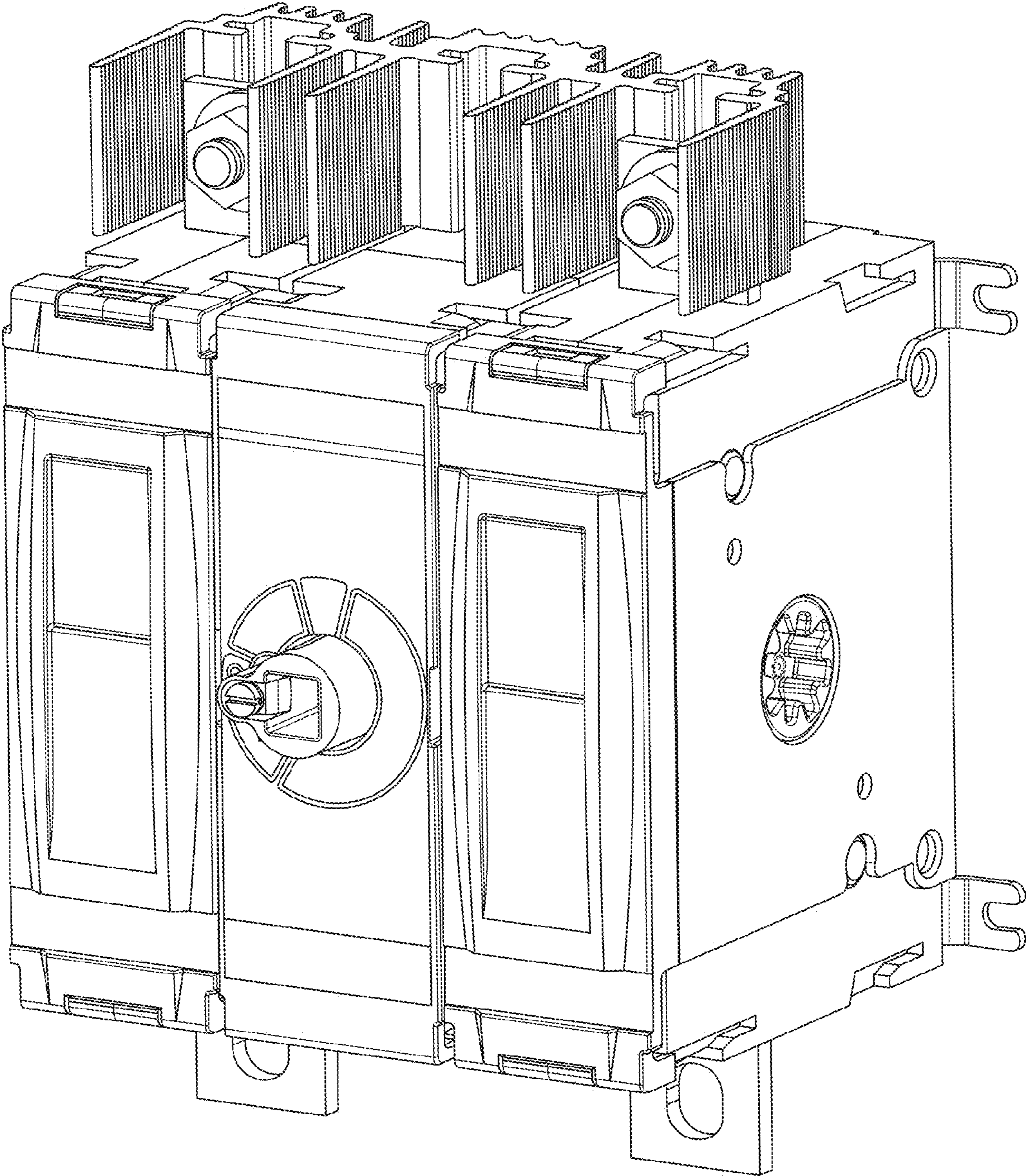


FIG. 8

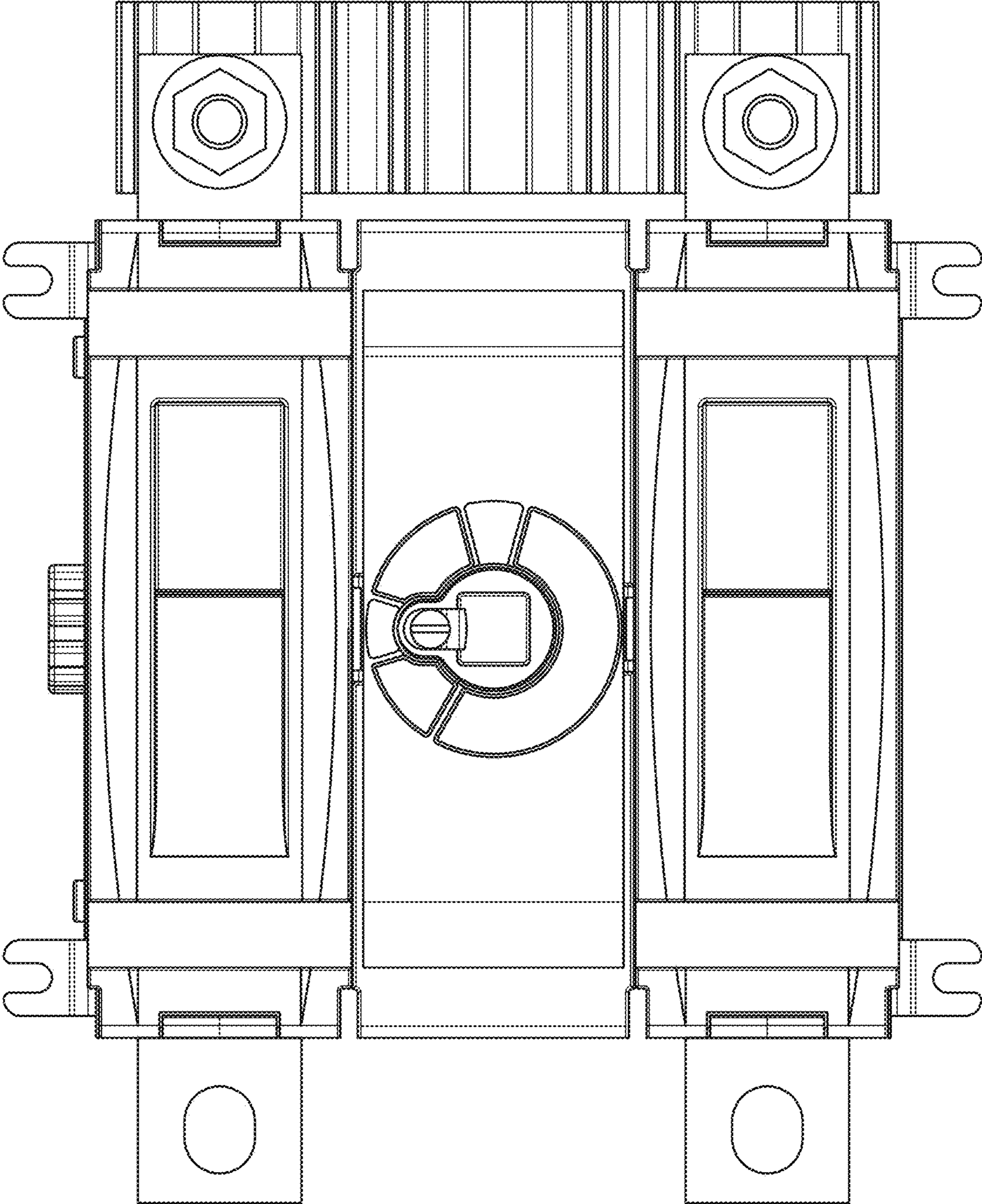


FIG. 9

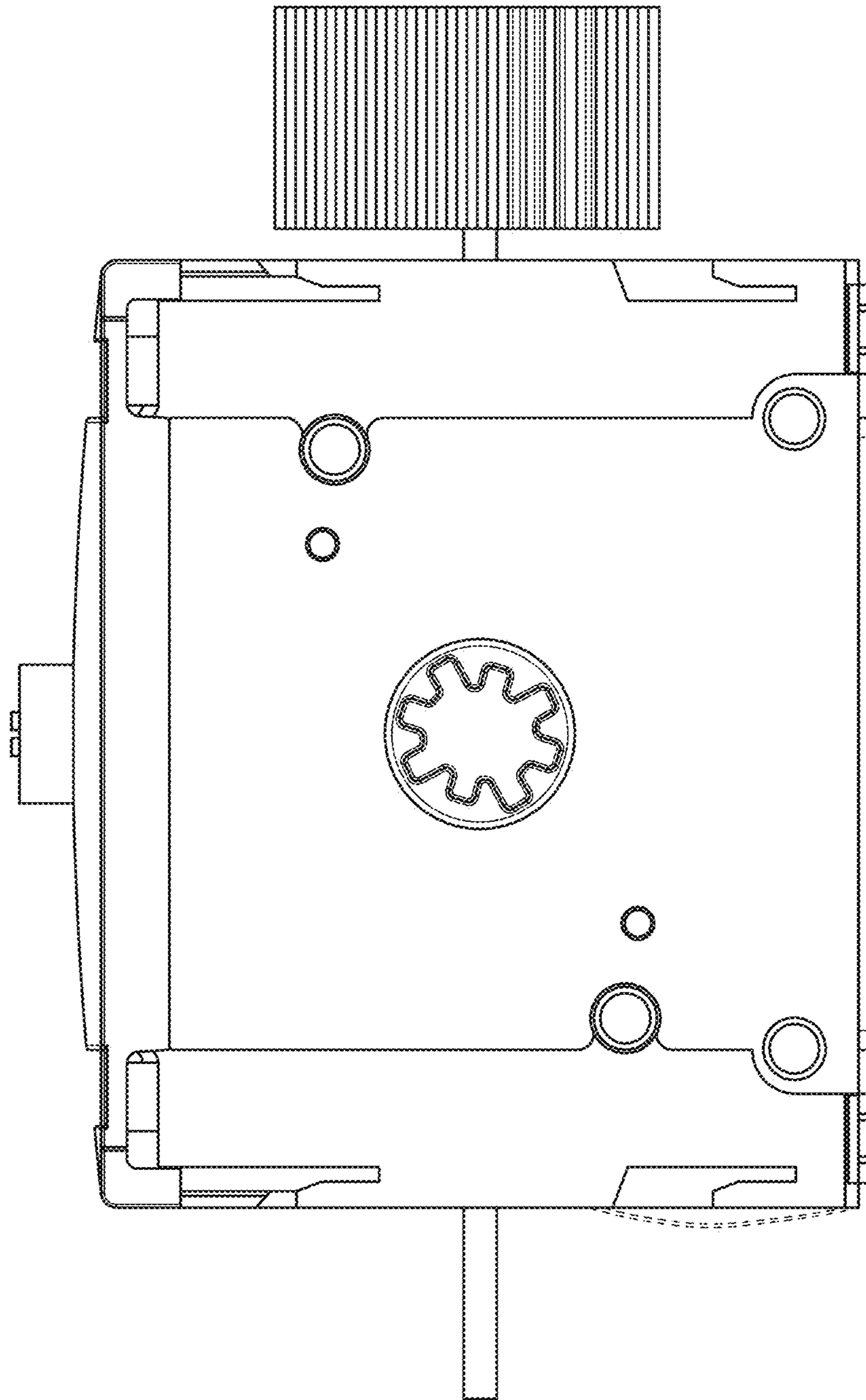


FIG. 10

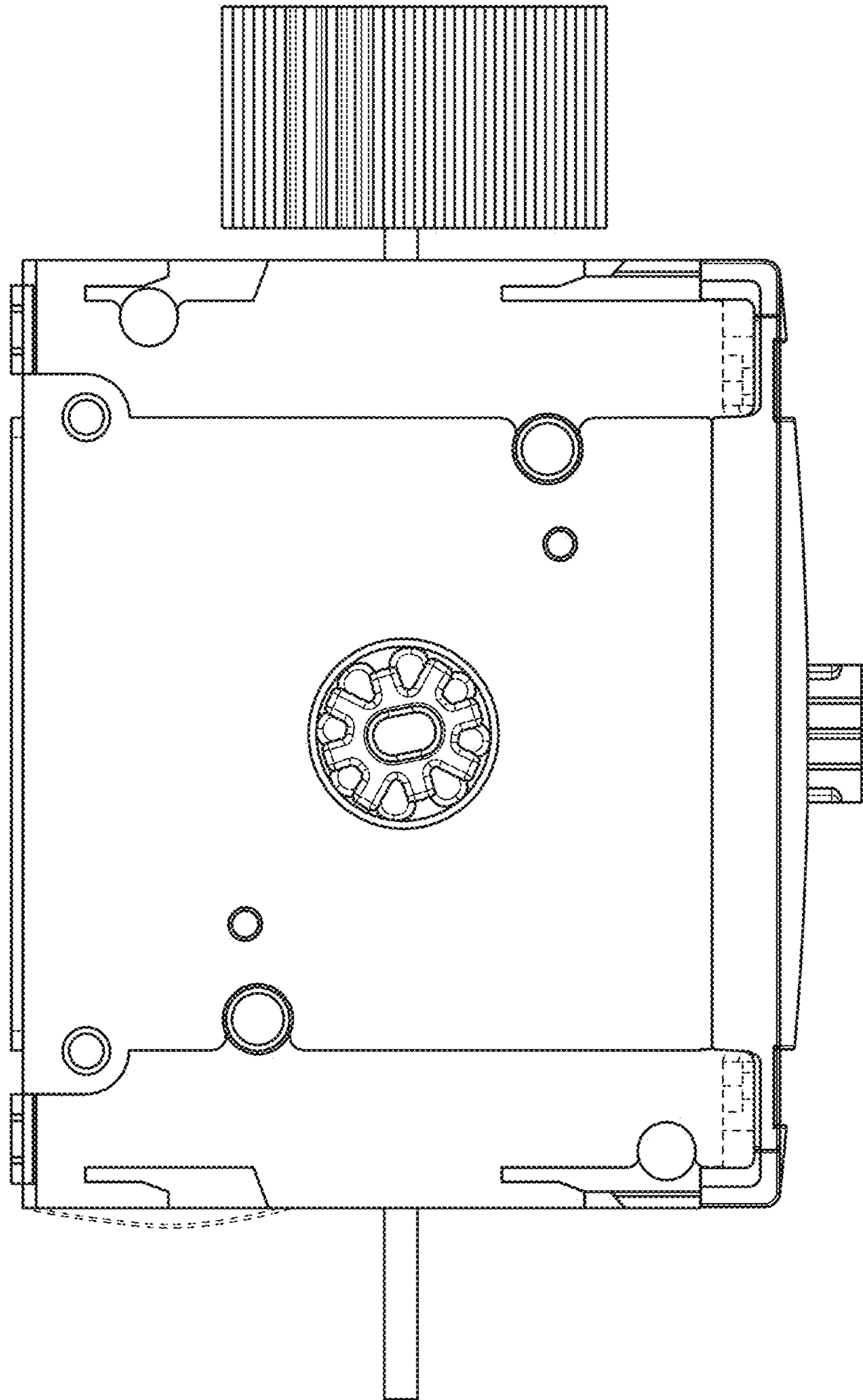


FIG. 11

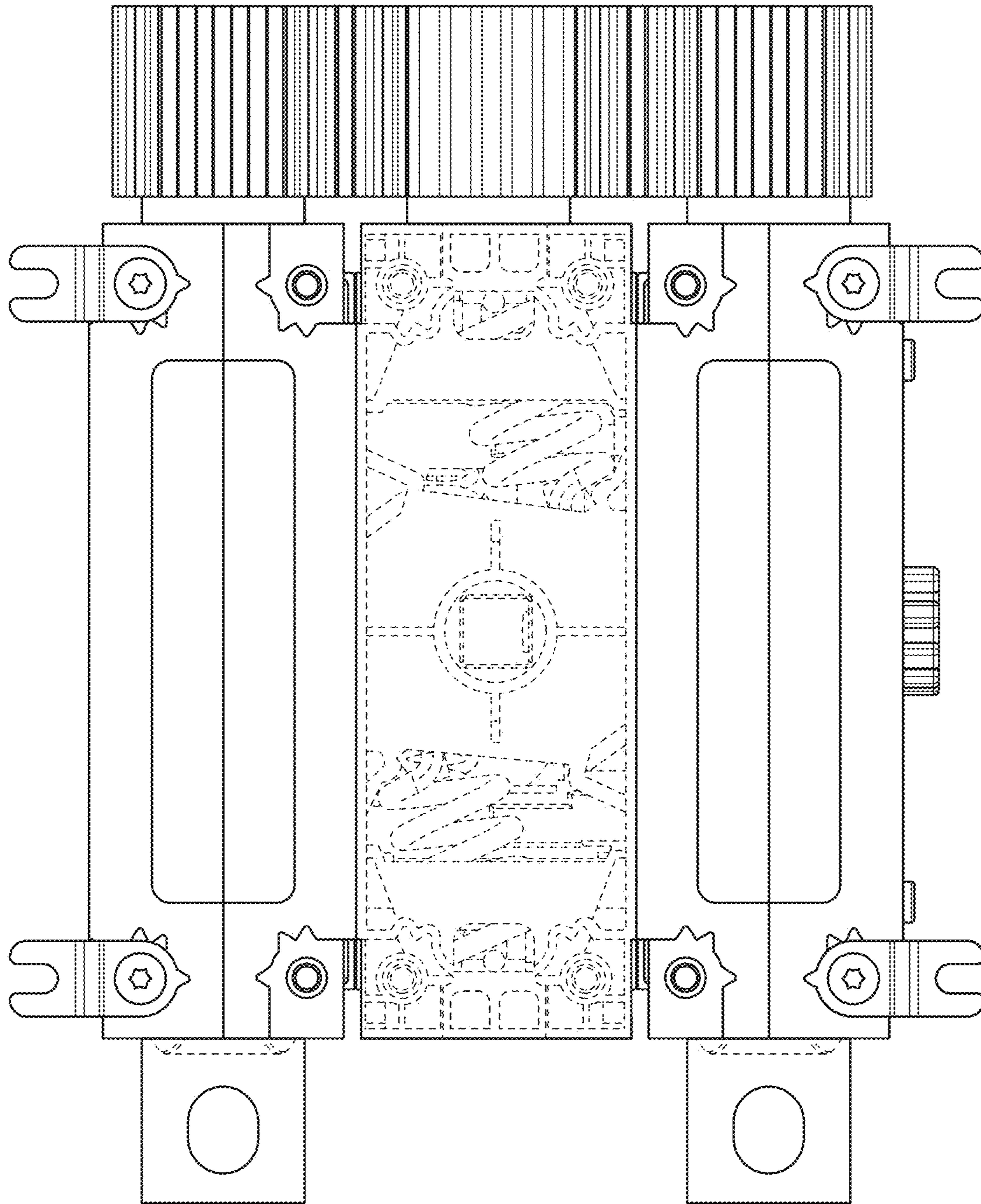


FIG. 12

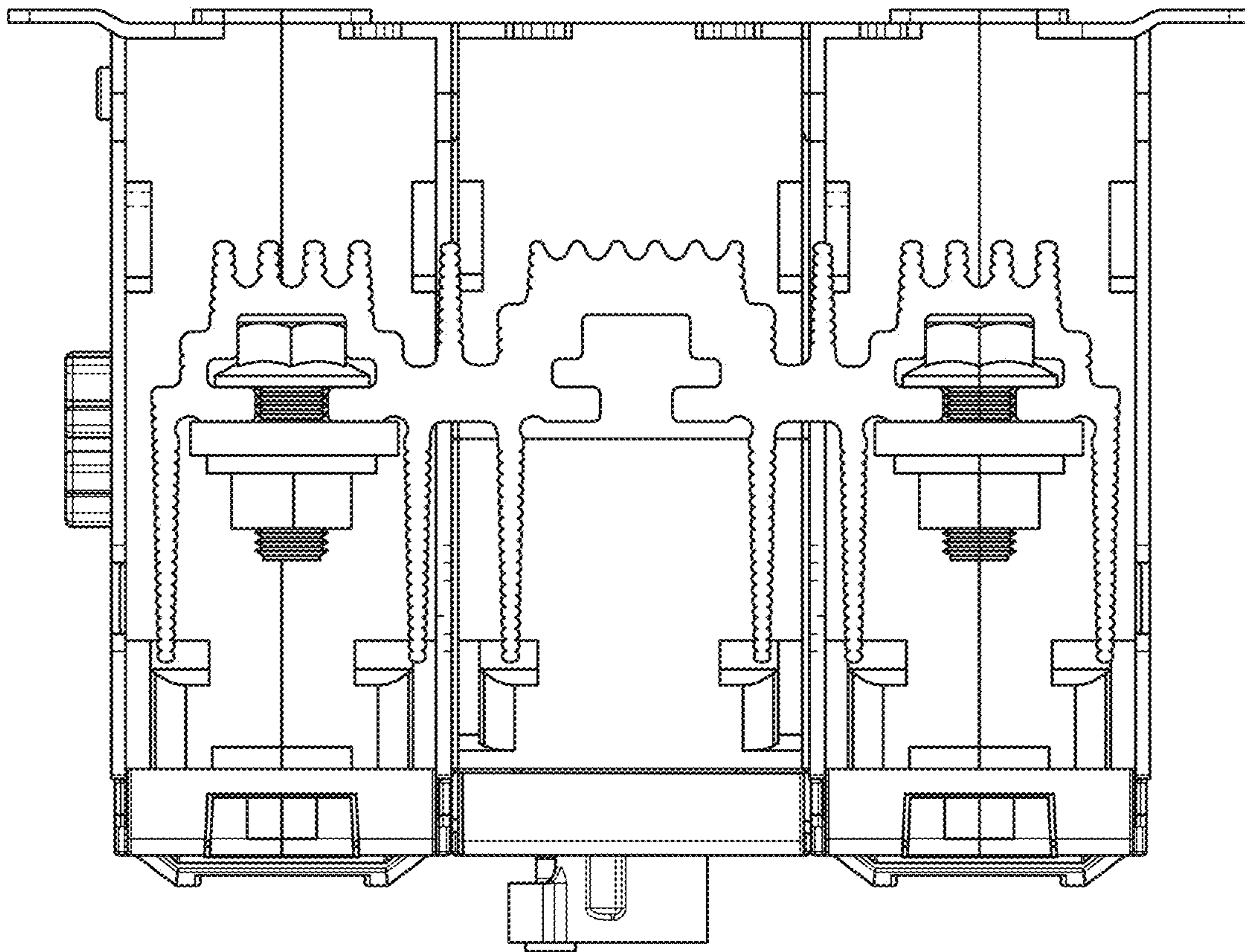


FIG. 13

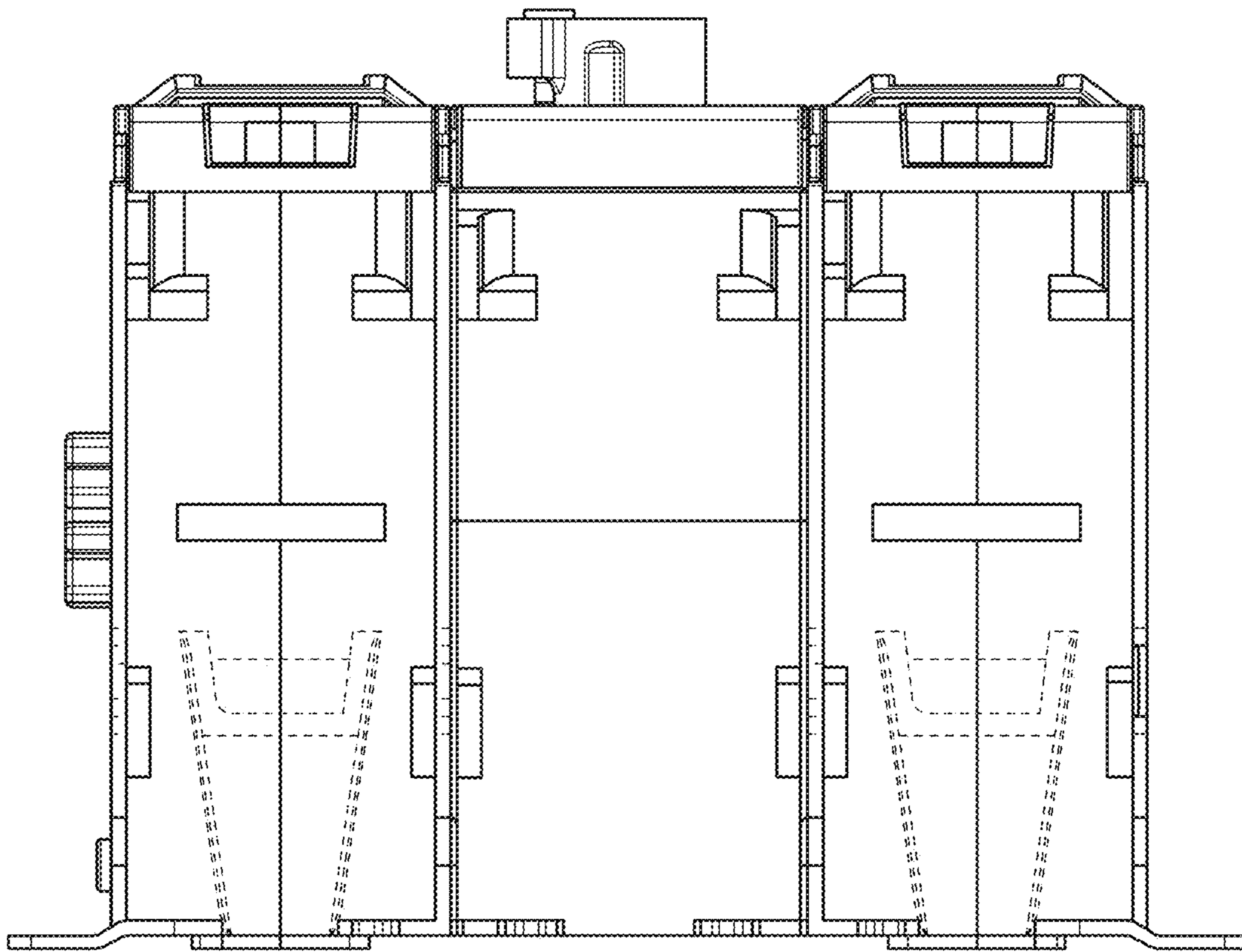


FIG. 14

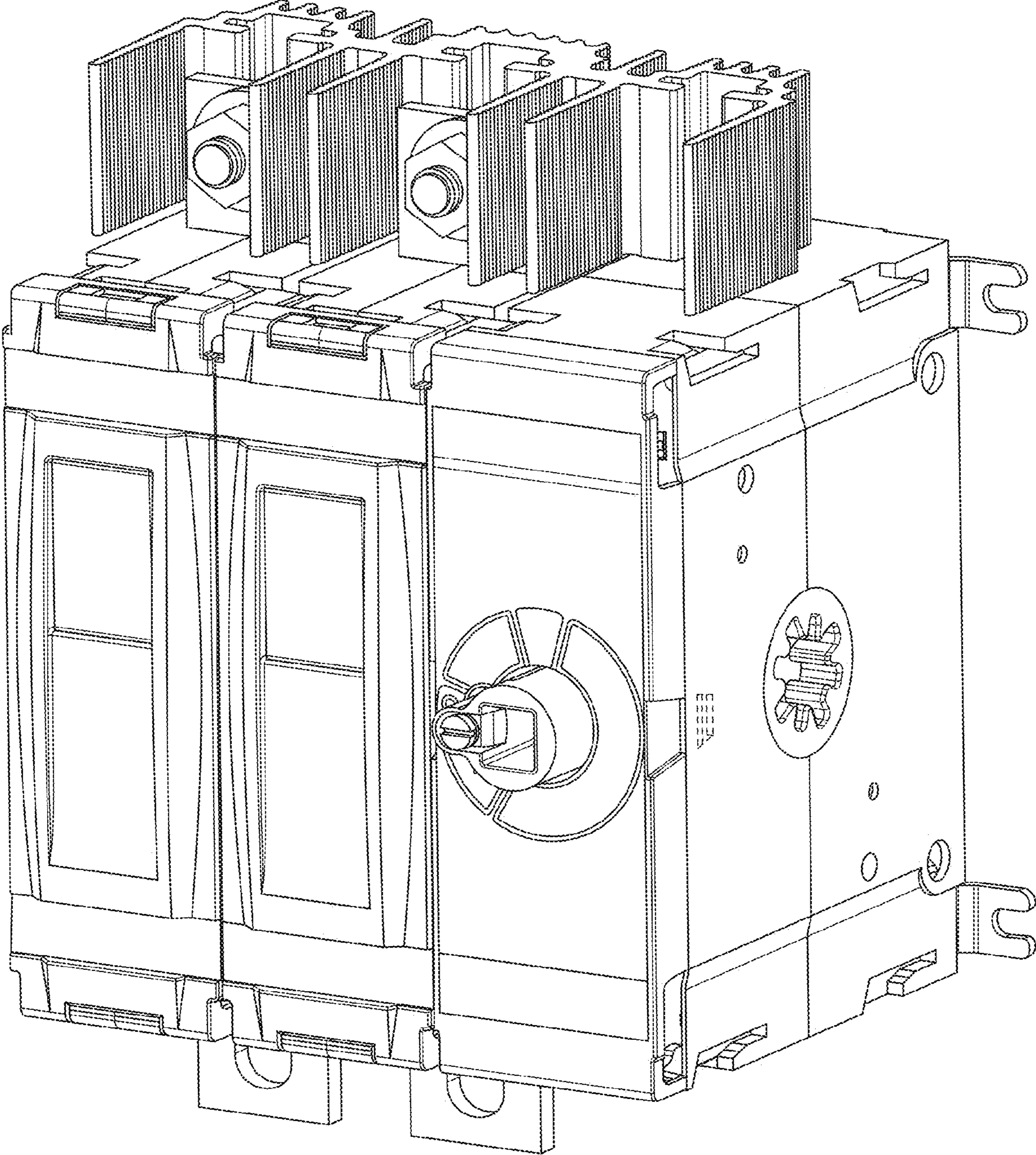


FIG. 15

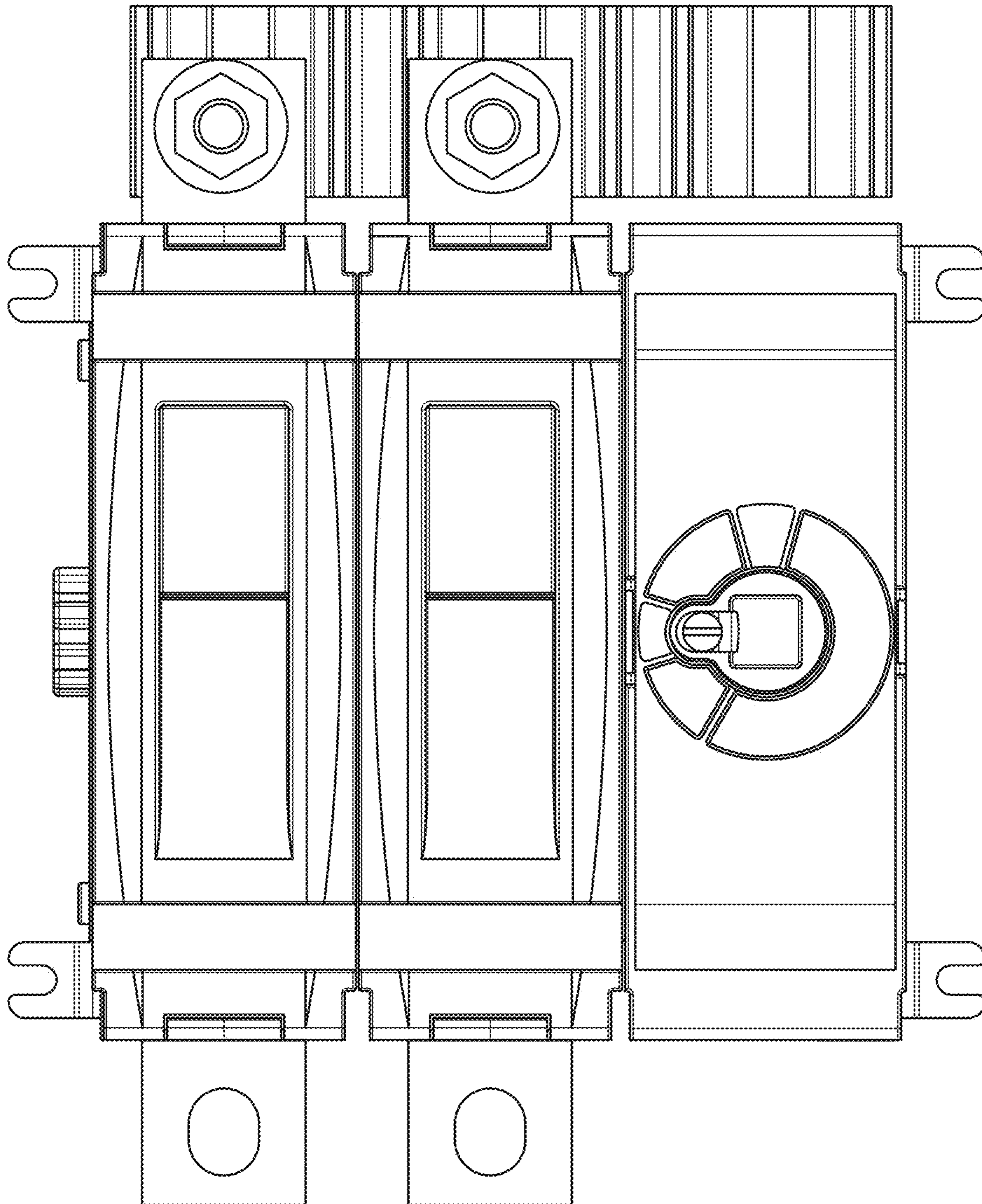


FIG. 16

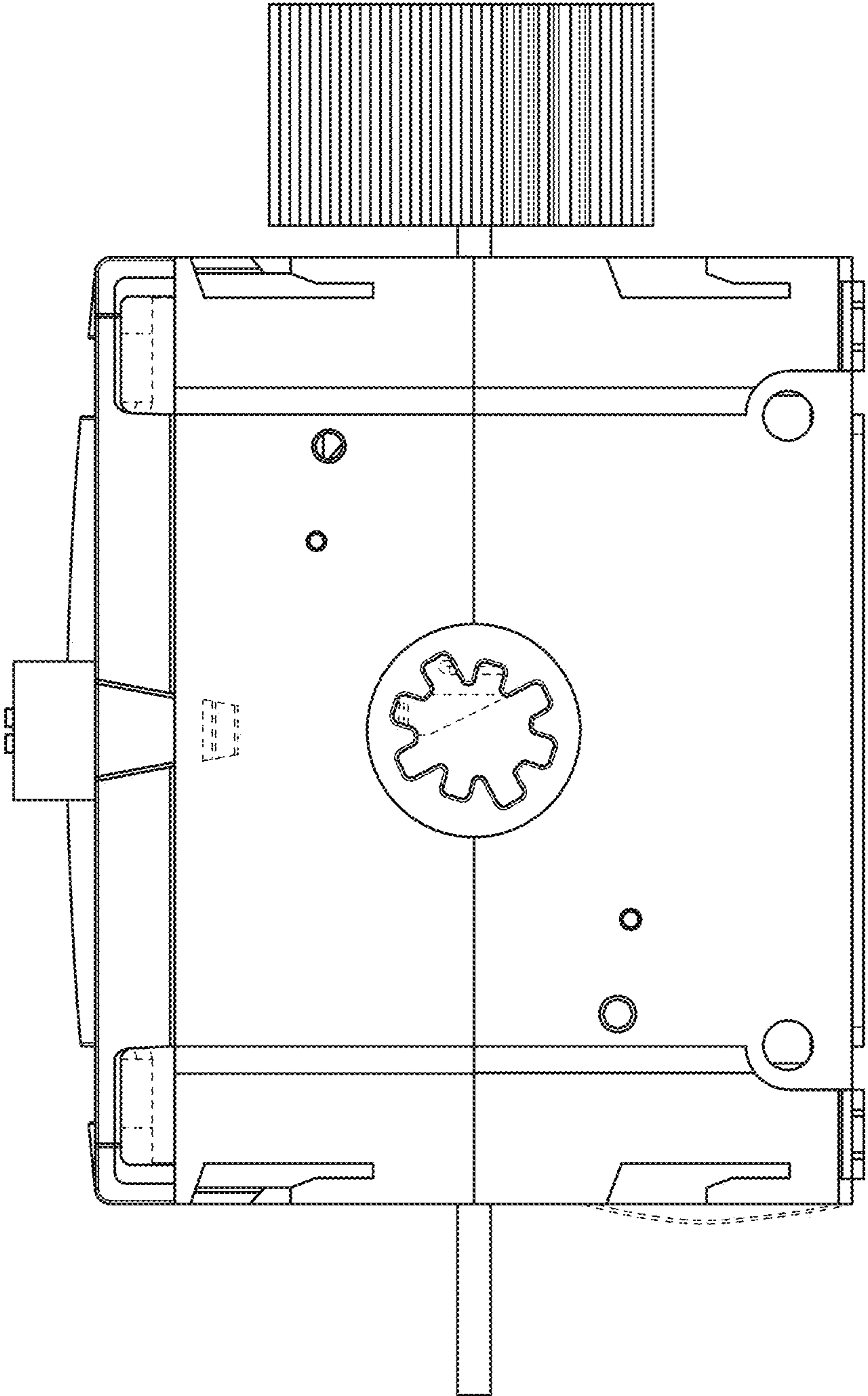


FIG. 17

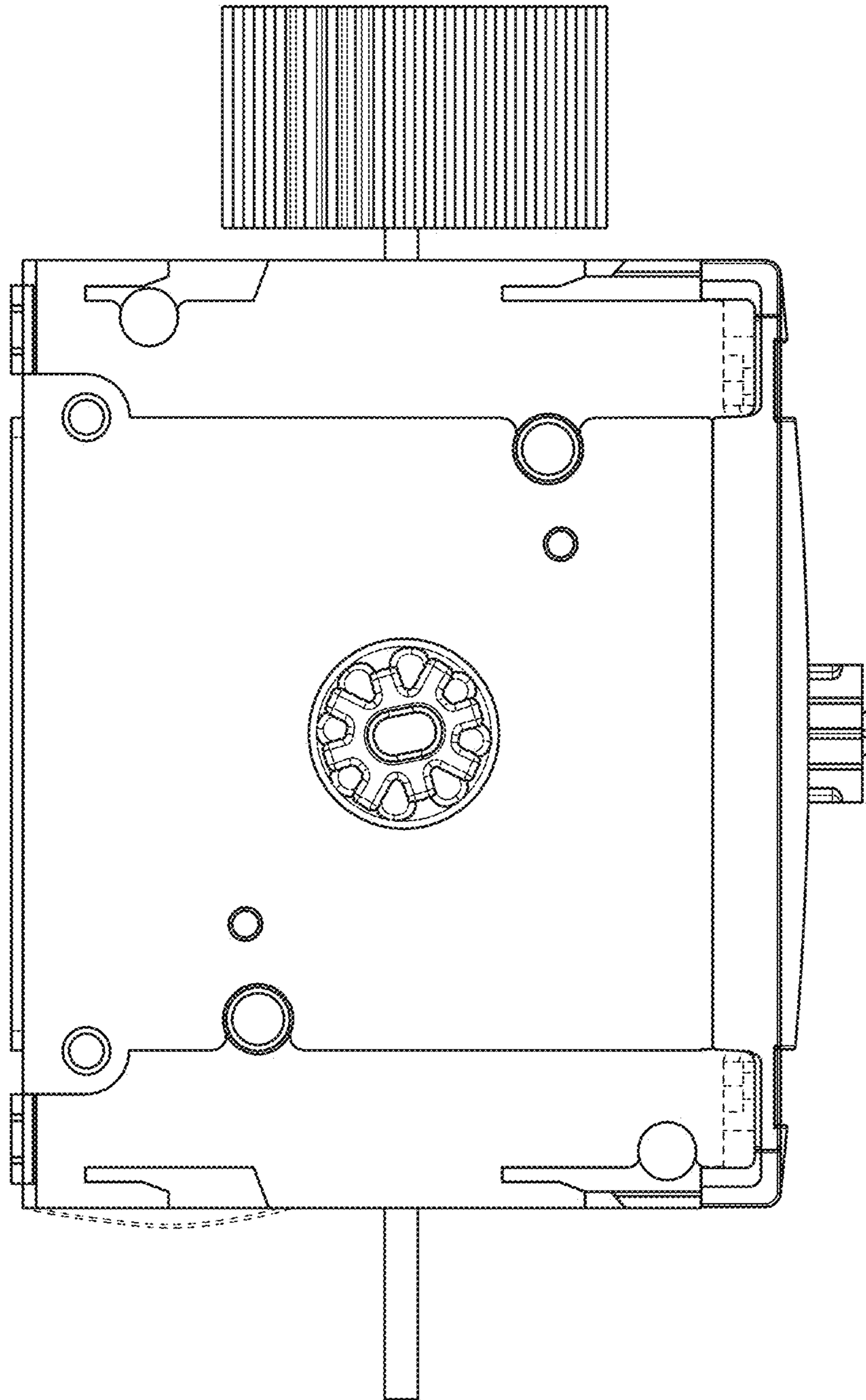


FIG. 18

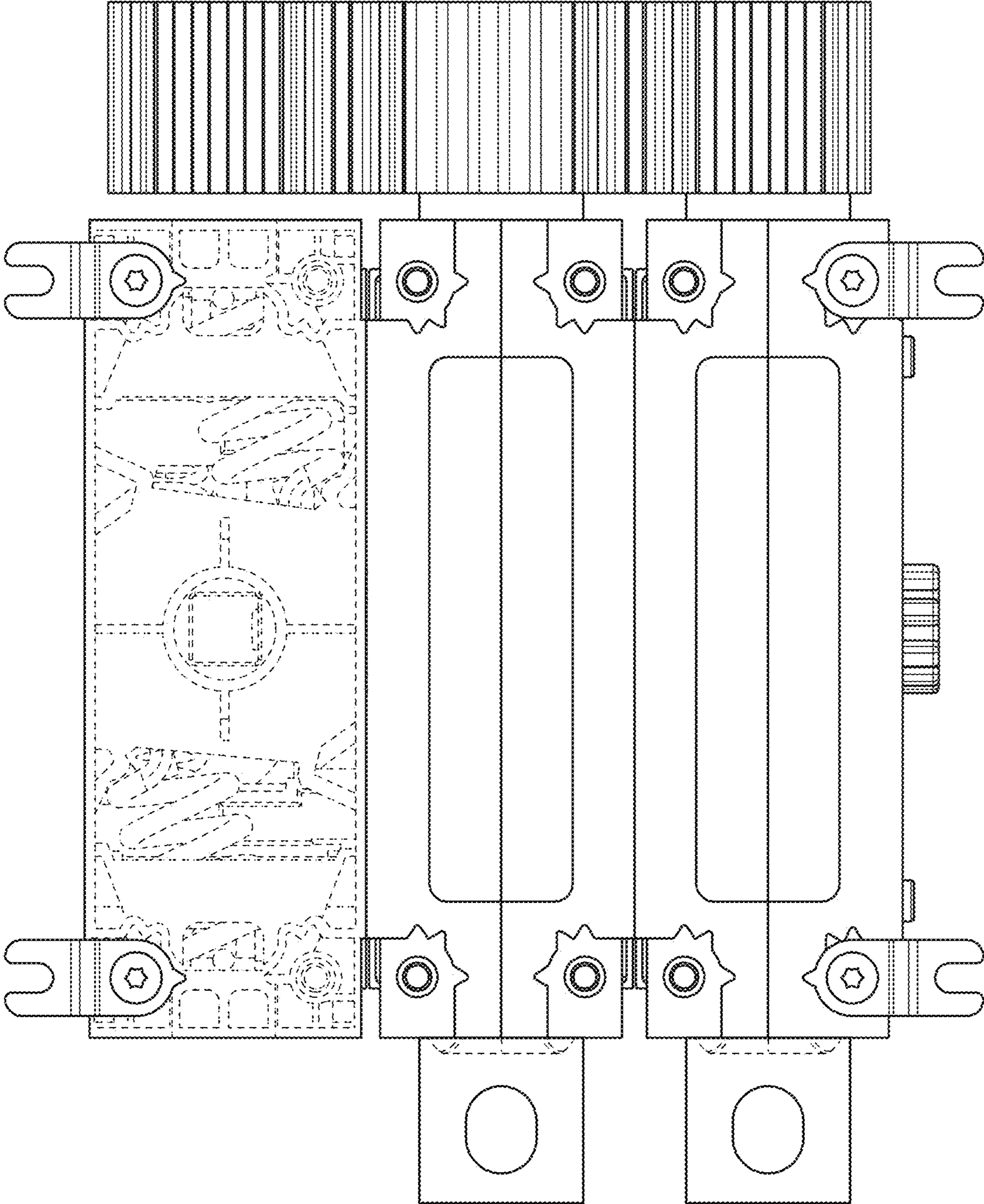


FIG. 19

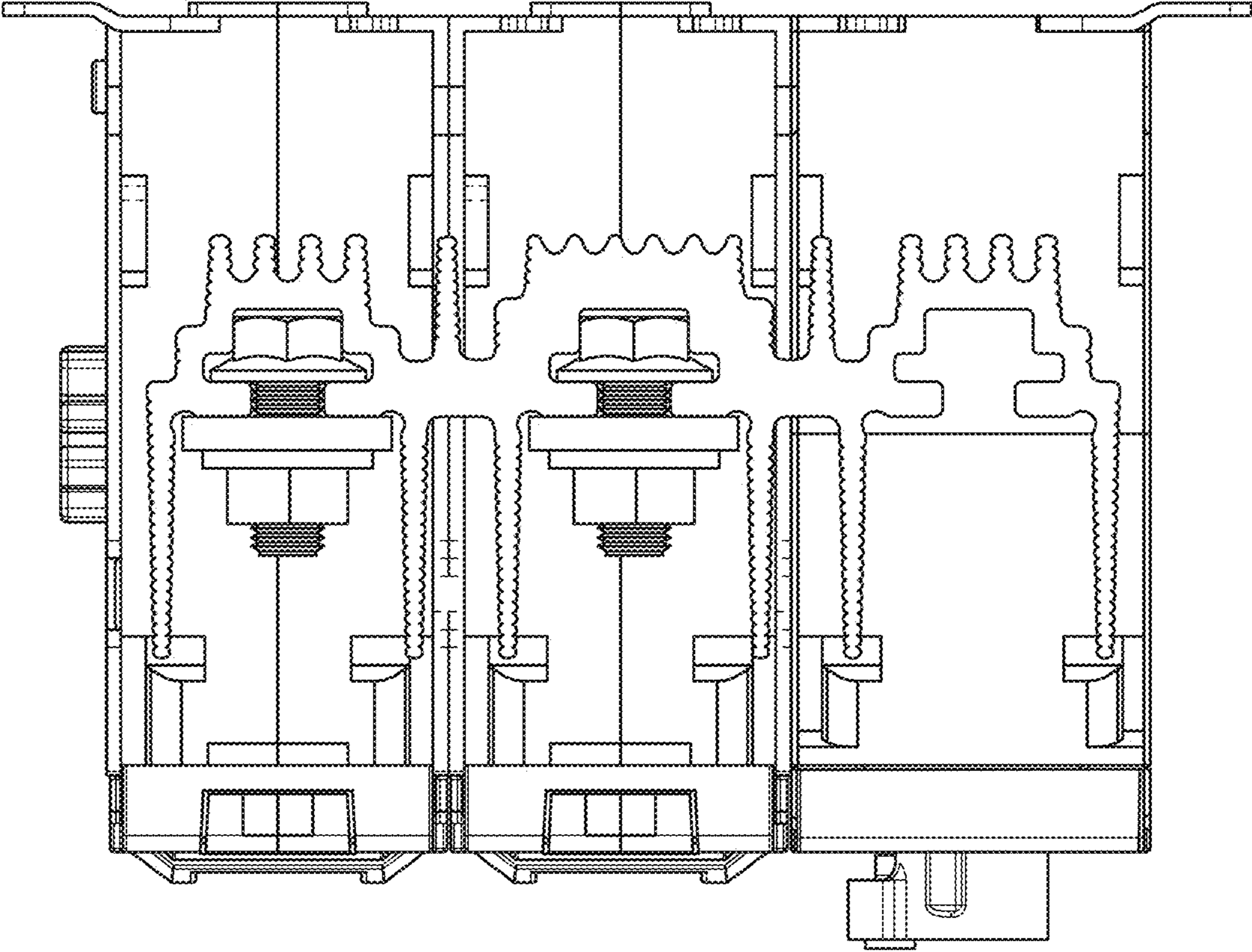


FIG. 20

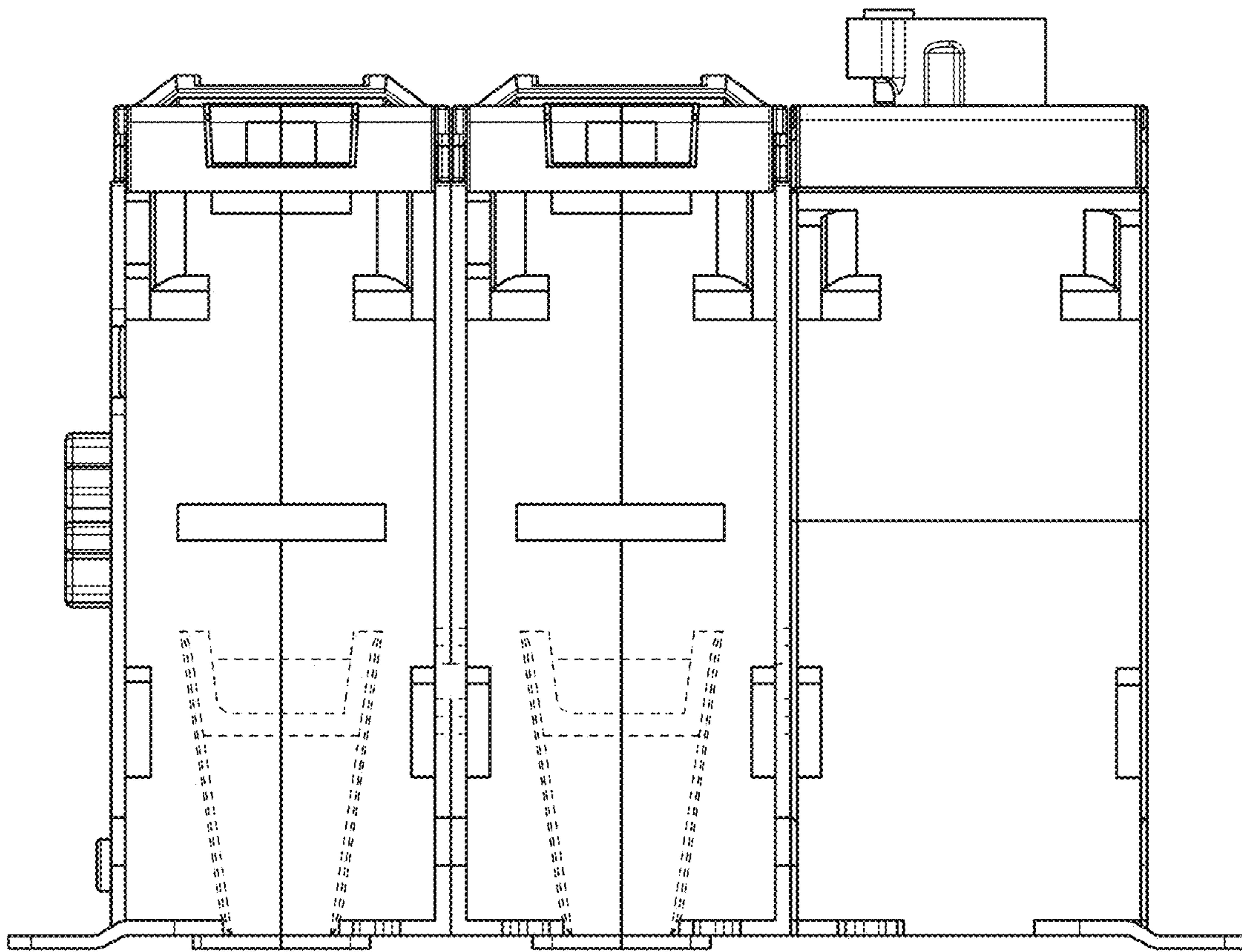


FIG. 21