



US00D947134S

(12) **United States Design Patent**  
**Woods et al.**

(10) **Patent No.:** **US D947,134 S**  
(45) **Date of Patent:** **\*\* Mar. 29, 2022**

(54) **SUPPORT BLOCK**

(71) Applicant: **Haydon Corporation**, Wayne, NJ (US)

(72) Inventors: **Adam Woods**, Denville, NJ (US);  
**Demetrius Pellicier**, Columbia, NJ  
(US); **Orlando Bueno**, Fort Worth, TX  
(US); **Patrick Mullen**, Wayne, NJ (US)

(73) Assignee: **Haydon Corporation**, Wayne, NJ (US)

(\*\*) Term: **15 Years**

(21) Appl. No.: **29/665,230**

(22) Filed: **Oct. 1, 2018**

(51) **LOC (13) Cl.** ..... **13-02**

(52) **U.S. Cl.**  
USPC ..... **D13/155**

(58) **Field of Classification Search**  
USPC ..... D13/133, 147, 152, 155, 184, 199;  
D8/354; D23/249, 422  
CPC ..... H02G 15/08; H02G 15/10; H02G 1/08;  
H01G 3/081  
See application file for complete search history.

(56) **References Cited**

**U.S. PATENT DOCUMENTS**

D315,668 S \* 3/1991 Murphy ..... D8/354  
D521,851 S \* 5/2006 Smart ..... D8/354  
D692,393 S 10/2013 Hillman et al.

D749,935 S \* 2/2016 Rook ..... D8/349  
9,528,271 B2 \* 12/2016 Rook ..... E04H 12/12  
D810,010 S \* 2/2018 Rook ..... D13/102  
D837,638 S \* 1/2019 Sargent ..... D8/380

**OTHER PUBLICATIONS**

Haydon Corporation, HB Mega Base, Sep. 2020, haydoncorp.com,  
<https://www.haydoncorp.com/catalog/product/hb-mega-base> (Year:  
2020).\*

\* cited by examiner

*Primary Examiner* — Jennifer O King

(74) *Attorney, Agent, or Firm* — Lowenstein Sandler LLP

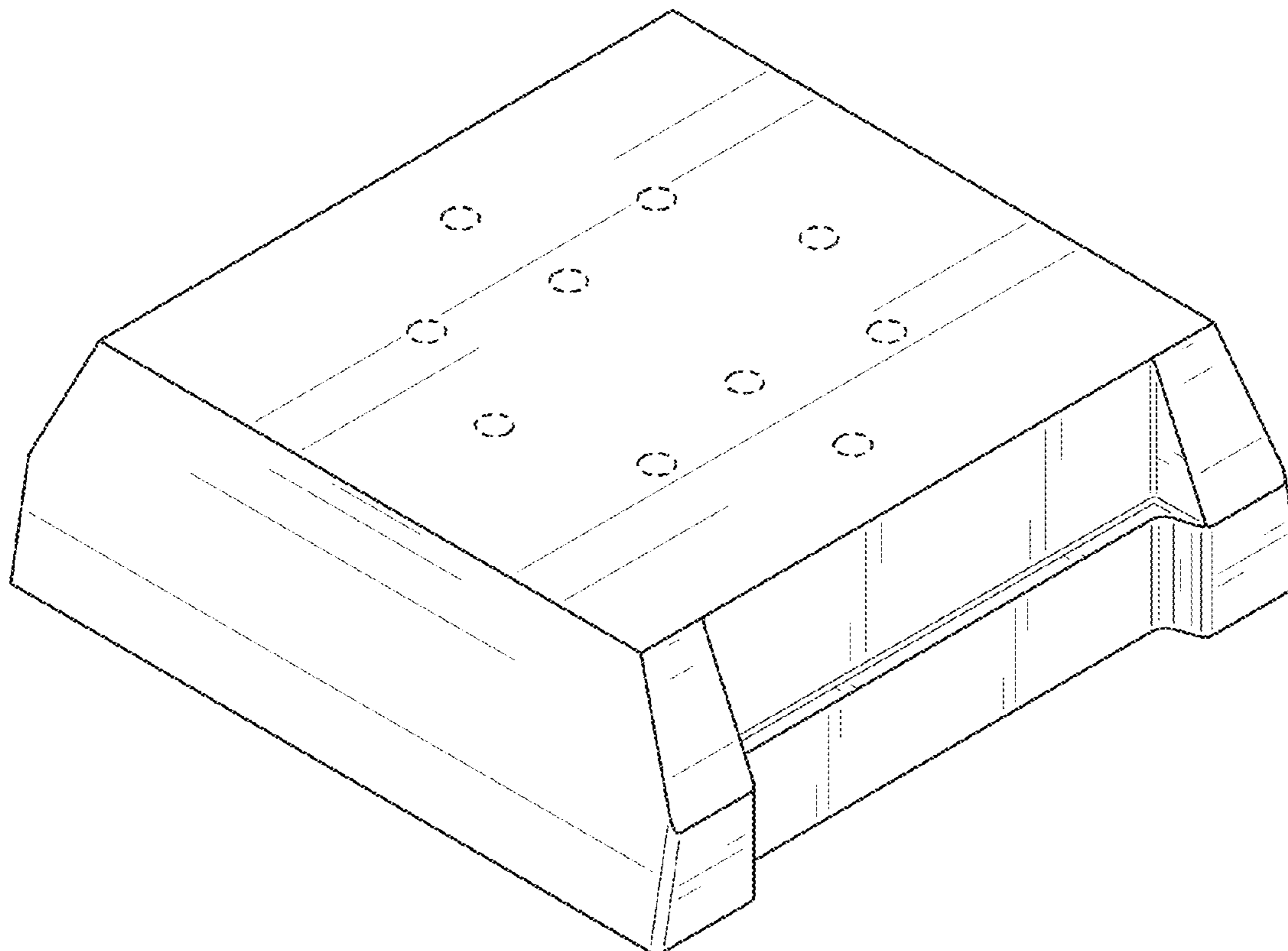
(57) **CLAIM**

The ornamental design of a support block, as substantially  
shown and described.

**DESCRIPTION**

FIG. 1 illustrates a perspective view of a support block in  
accordance with the present invention;  
FIG. 2 illustrates a front elevation view thereof;  
FIG. 3 illustrates a rear elevation view thereof;  
FIG. 4 illustrates a left side elevation view thereof;  
FIG. 5 illustrates a right side elevation view thereof;  
FIG. 6 illustrates a top plan view thereof; and,  
FIG. 7 illustrates a bottom plan view thereof.  
Broken lines in the drawings form no part of the claimed  
design.

**1 Claim, 4 Drawing Sheets**



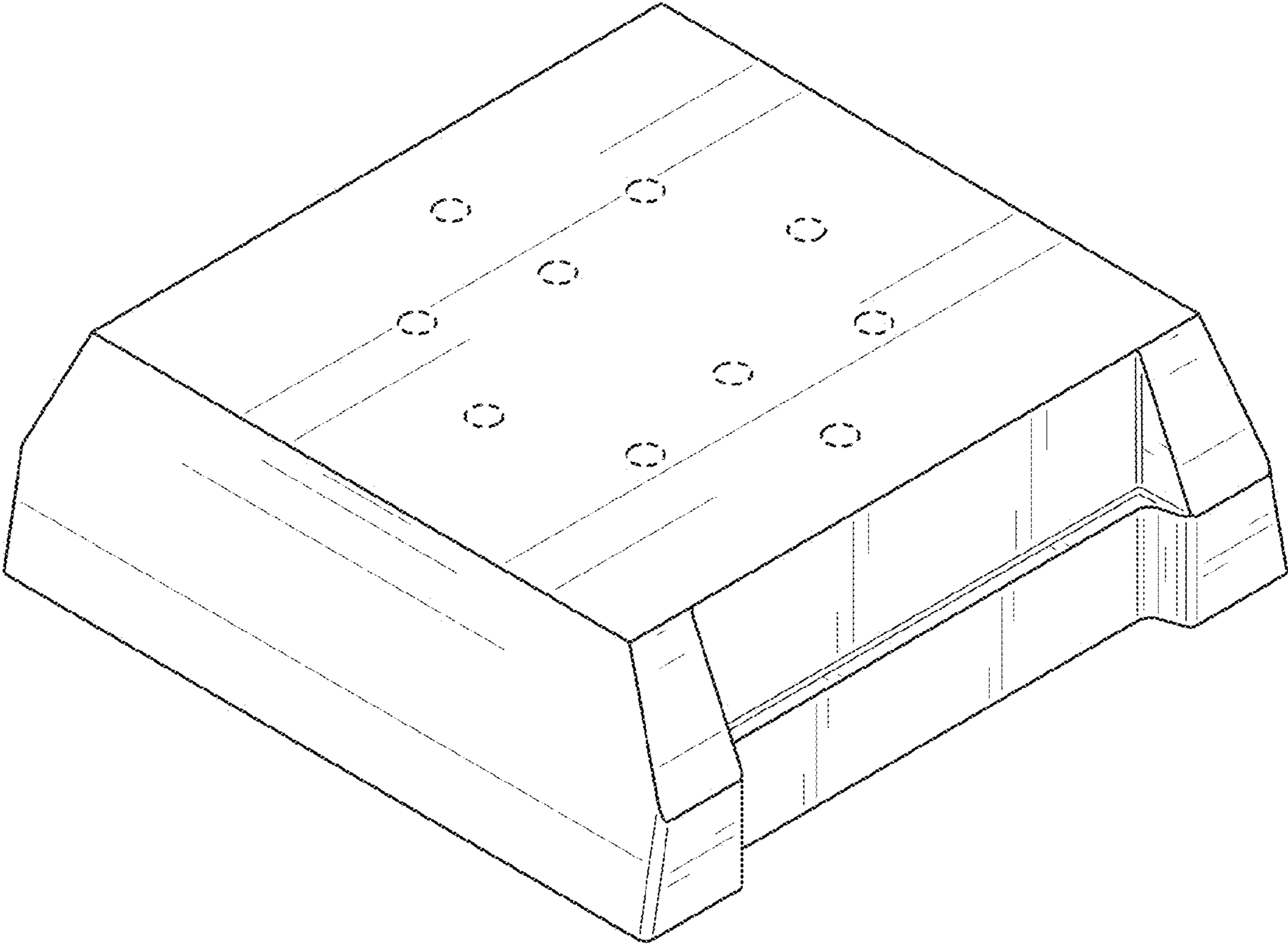


FIG. 1

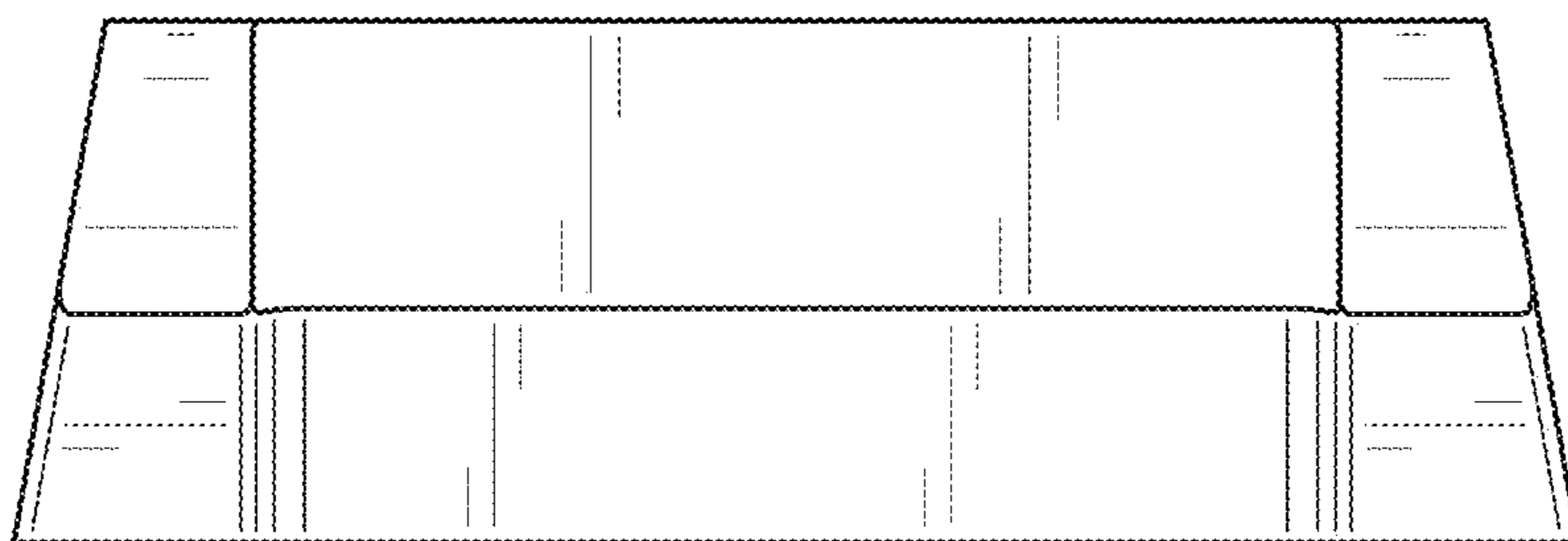


FIG. 2

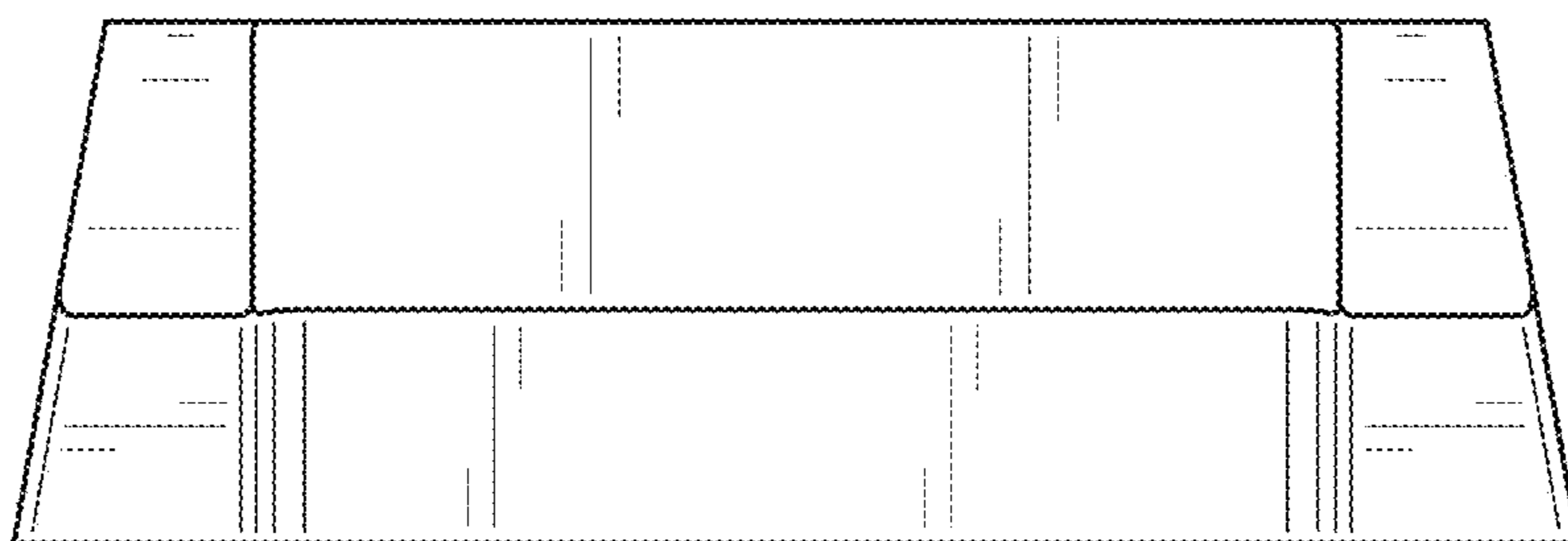


FIG. 3

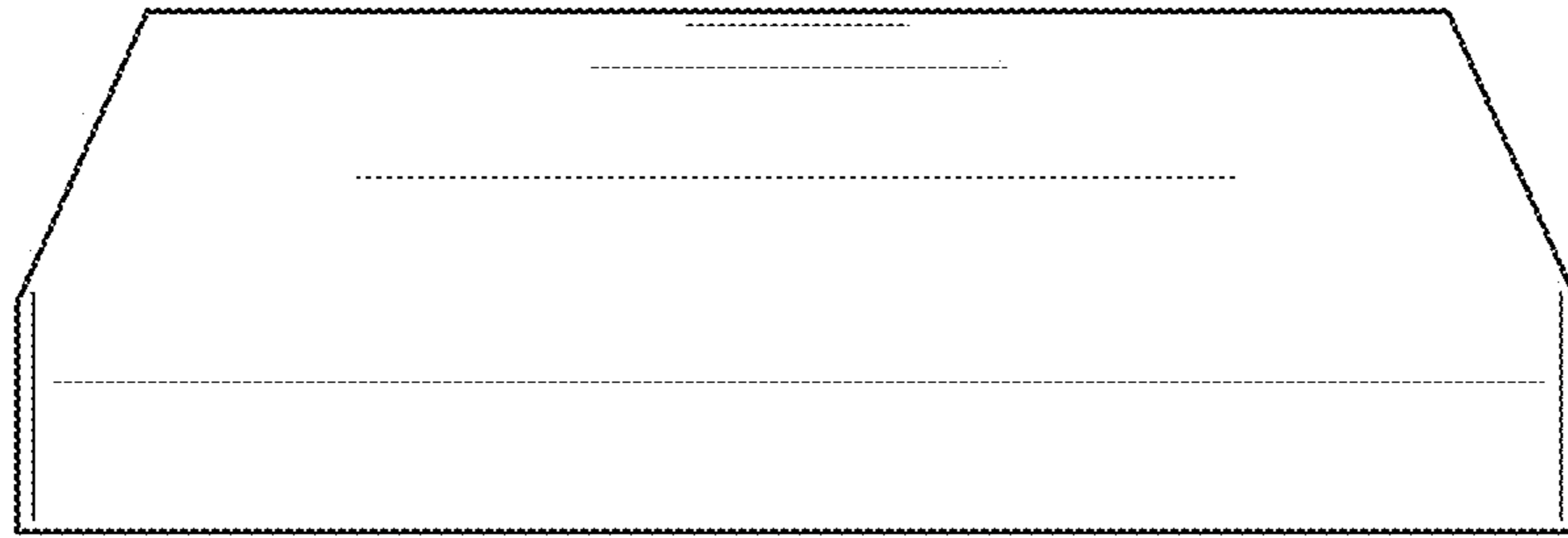


FIG. 4

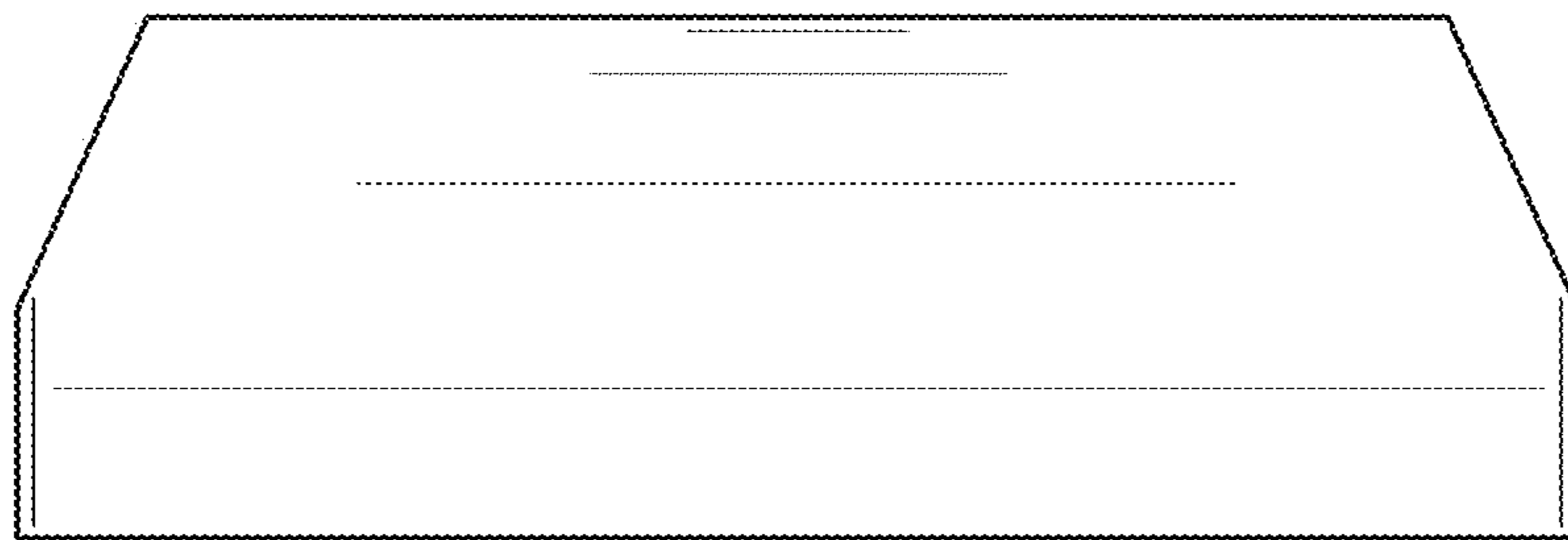


FIG. 5

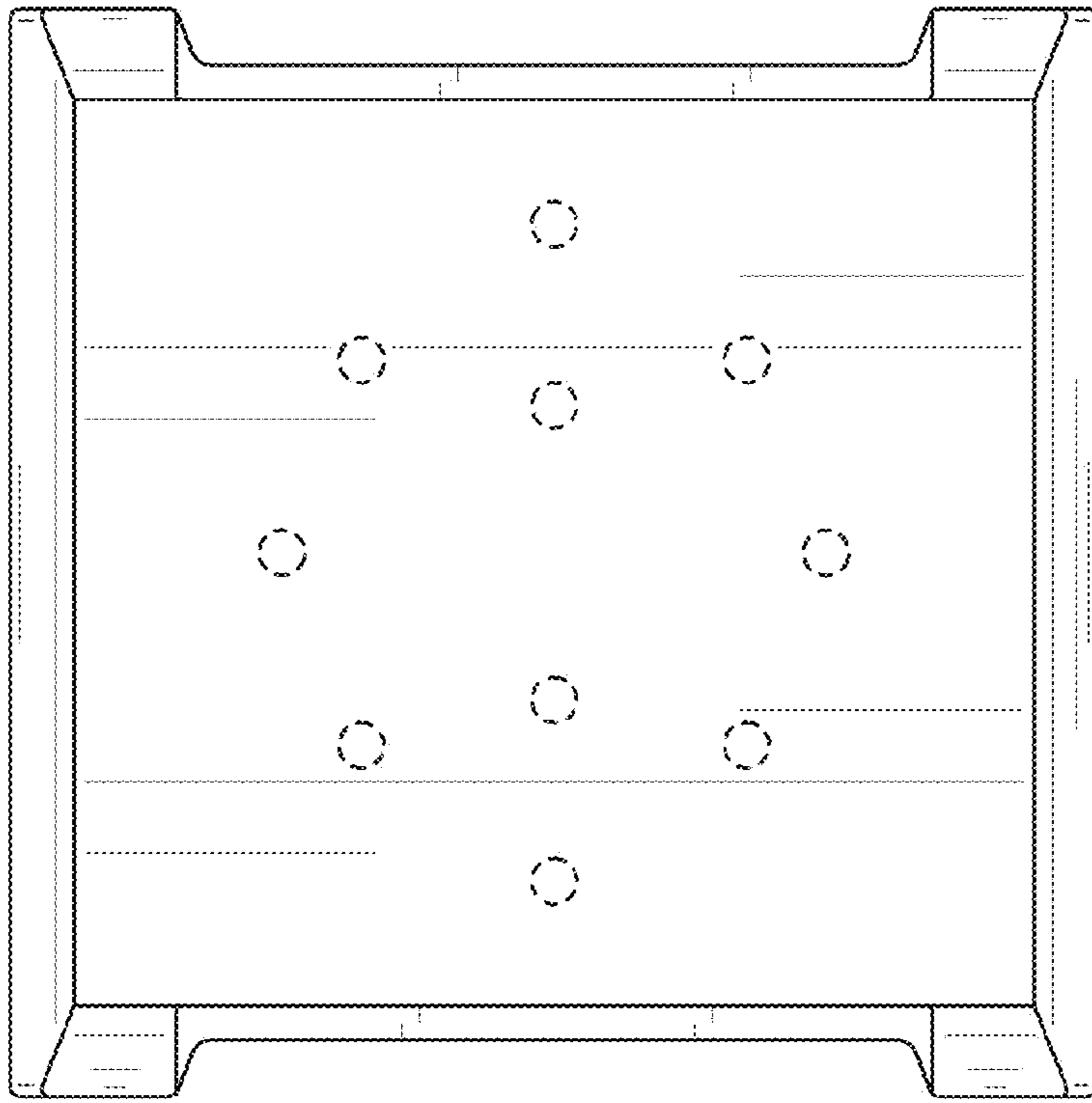


FIG. 6

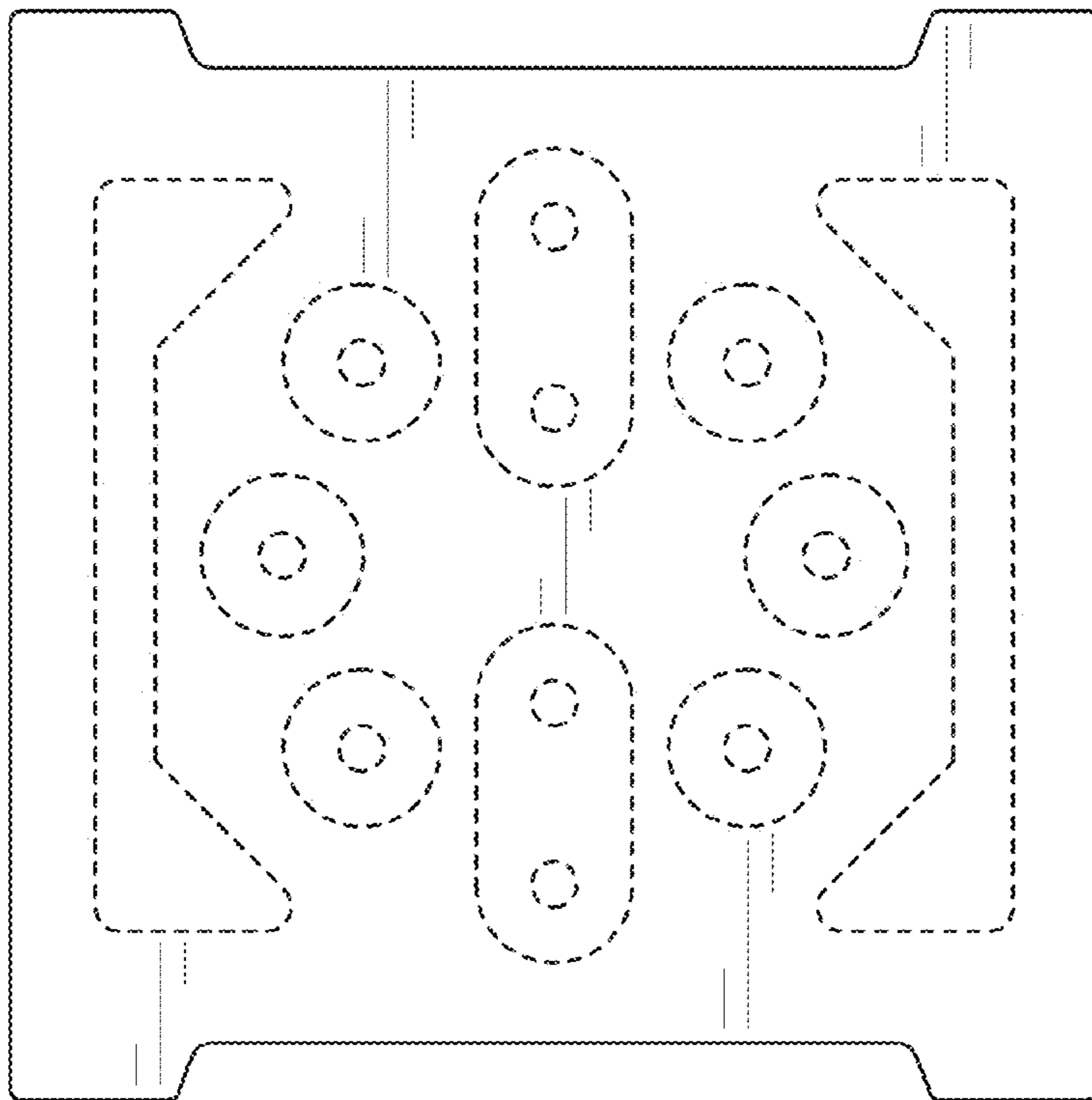


FIG. 7