



US00D947130S

(12) **United States Design Patent**
Gomez

(10) **Patent No.:** **US D947,130 S**
(45) **Date of Patent:** **** Mar. 29, 2022**

(54) **NON FUNCTIONING ELECTRIC OUTLET
WARNING DEVICE**

D724,030 S * 3/2015 Faul D13/139.1
D737,208 S * 8/2015 Faul D13/139.1
D821,179 S * 6/2018 Exley D8/353

(Continued)

(71) Applicant: **Carlos Gomez**, Brooklyn, NY (US)

(72) Inventor: **Carlos Gomez**, Brooklyn, NY (US)

(**) Term: **15 Years**

(21) Appl. No.: **29/720,878**

(22) Filed: **Jan. 16, 2020**

(51) **LOC (13) Cl.** **13-03**

(52) **U.S. Cl.**
USPC **D13/139.3**

(58) **Field of Classification Search**

USPC ... D13/110, 133, 137.1, 137.2, 137.3, 137.4,
D13/138.1, 138.2, 139.1, 139.2, 139.3,
D13/139.4, 139.5, 139.6, 139.7, 139.8,
D13/152, 199; D14/433; D8/350, 353
CPC H01R 35/04; H01R 2103/00; H01R 31/06;
H01R 31/005; H01R 2201/06; H01R
13/665; H01R 13/7135; H01R 13/652;
H01R 13/506; H01R 13/514; H01R
13/518; H01R 13/6272; H01R 13/46;
G06F 13/4022; G06F 13/382; G06F
1/1632; G06F 1/1684; G06F 1/20; G06F
1/1607; H02G 3/088; H02J 7/00043;
H02J 7/0021; H02J 7/0026; H02J 7/0027;
H02J 7/0045

See application file for complete search history.

(56) **References Cited**

U.S. PATENT DOCUMENTS

6,108,178 A 8/2000 Beadles
D455,331 S * 4/2002 Keenum D8/353
7,026,550 B2 4/2006 McBain
D523,397 S * 6/2006 Maglionico D13/137.2
D571,730 S * 6/2008 Kidman D13/139.3
7,385,521 B2 6/2008 Macari
8,093,497 B2 1/2012 White
8,467,734 B2 6/2013 Schubert
8,669,484 B1 3/2014 Benson

FOREIGN PATENT DOCUMENTS

CA 167925 * 1/2017

OTHER PUBLICATIONS

“[10 Pack] BESTTEN 20 Amp Duplex Wall Receptacle Outlet, Tamper Resistant, 20A/125V/2500W, UL Listed, White”, first available May 30, 2019. Amazon.com [https://www.amazon.com/BESTTEN-20-Amp-Duplex-Receptacle-Resistant/dp/B07SDB9B4T/ref=sr_1_92?dchild=1&keywords=electrical+receptacle+%E2%80%A6] (Year: 2019).*

(Continued)

Primary Examiner — Rosemary K Tarcza
Assistant Examiner — Seth David Kumpf
(74) *Attorney, Agent, or Firm* — Goldstein Law Offices, P.C.

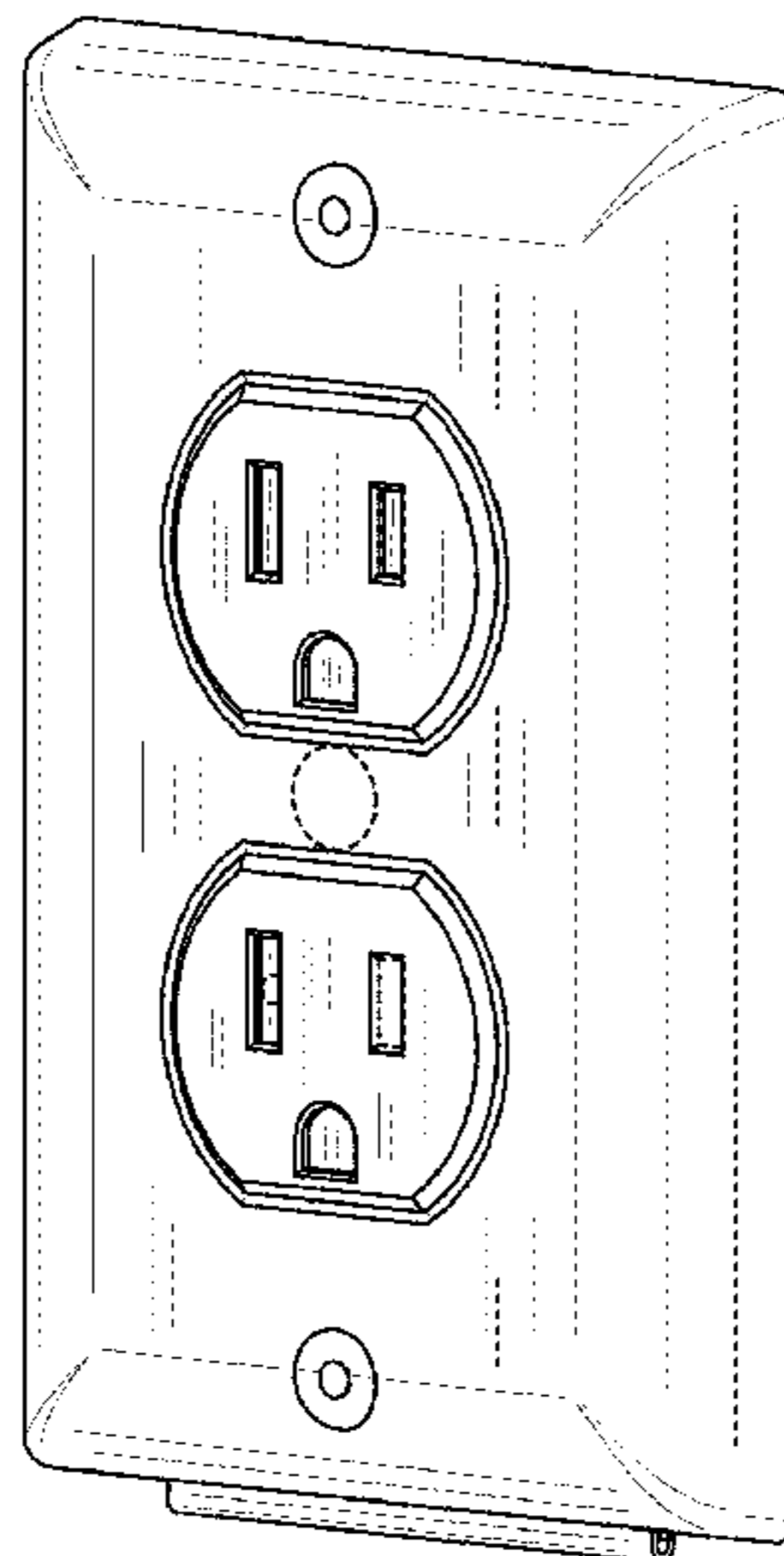
(57) **CLAIM**

The ornamental design for a non functioning electric outlet warning device, as shown and described.

DESCRIPTION

FIG. 1 is a perspective view of the non functioning electric outlet warning device.
FIG. 2 is a top plan view of the non functioning electric outlet warning device.
FIG. 3 is a bottom plan view thereof.
FIG. 4 is a front elevational view thereof.
FIG. 5 is a rear elevational view thereof.
FIG. 6 is a left side elevational view thereof; and,
FIG. 7 is a right side elevational view thereof.
The broken line showing in FIGS. 1, 2, and 5 illustrate portions of the non functioning electric outlet and warning device that form no part of the claimed design.

1 Claim, 4 Drawing Sheets



(56)

References Cited

U.S. PATENT DOCUMENTS

D834,519 S * 11/2018 Faul D13/137.2
2011/0209891 A1* 9/2011 Huang H02G 3/14
174/66
2013/0221868 A1* 8/2013 Diotte F21V 33/006
315/227 R

OTHER PUBLICATIONS

“WEBANG Commercial Grade 20A 125V Duplex Receptacle Outlet, Tamper-Resistant Self-Grounding Wall outlet with Wall Plate, 2-Pole,3-Wire, UL Listed, 10 Pack White”, first available May 6, 2020. Amazon.com [https://www.amazon.com/WEBANG-Commercial-Receptacle-Tamper-Resistant-Self-Grounding/dp/B08889C6JN/ref=sr_1_95?dchild=1&keywords=wa%E2%80%A6] (Year: 2020).*

* cited by examiner

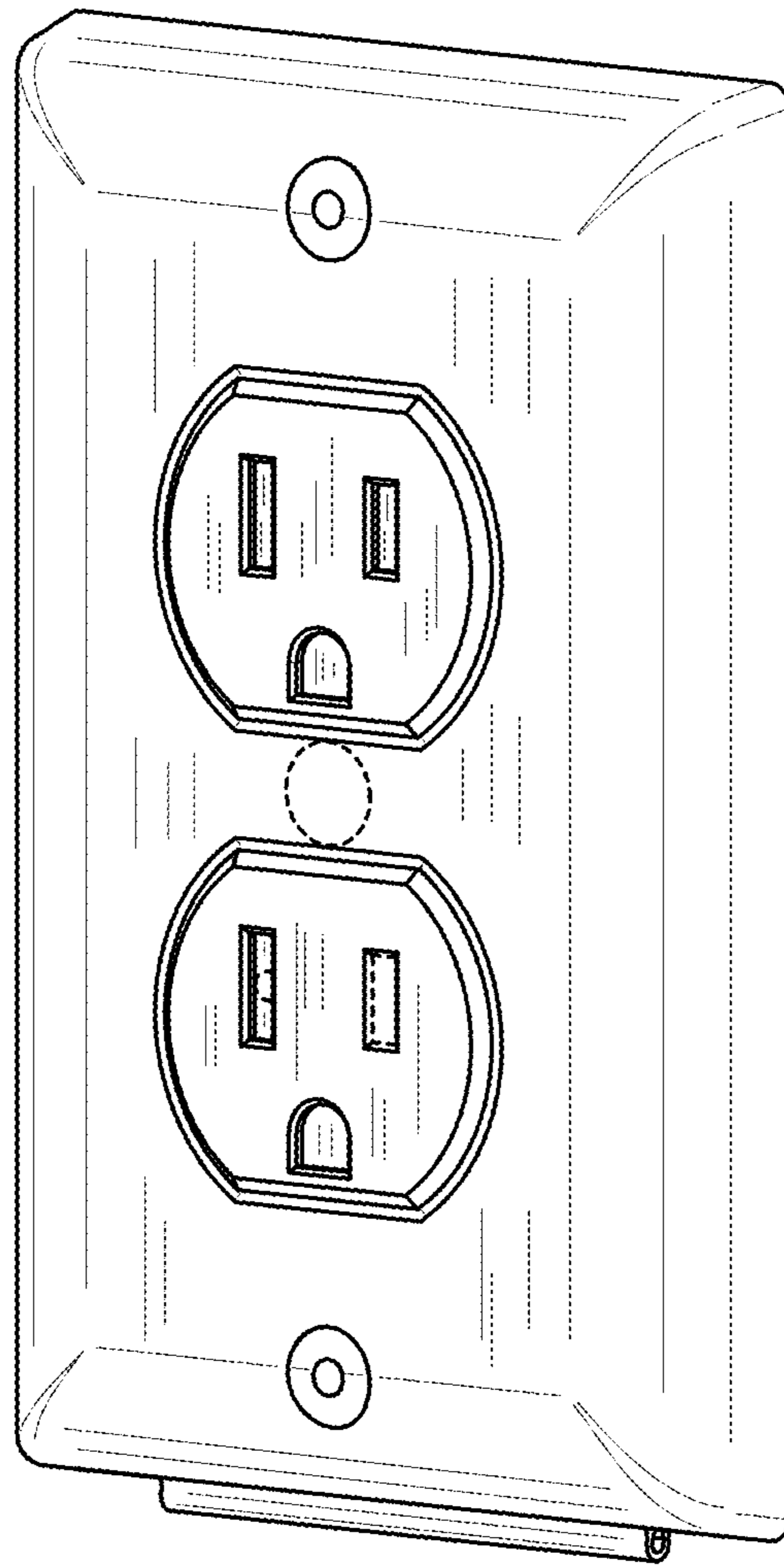


FIG. 1

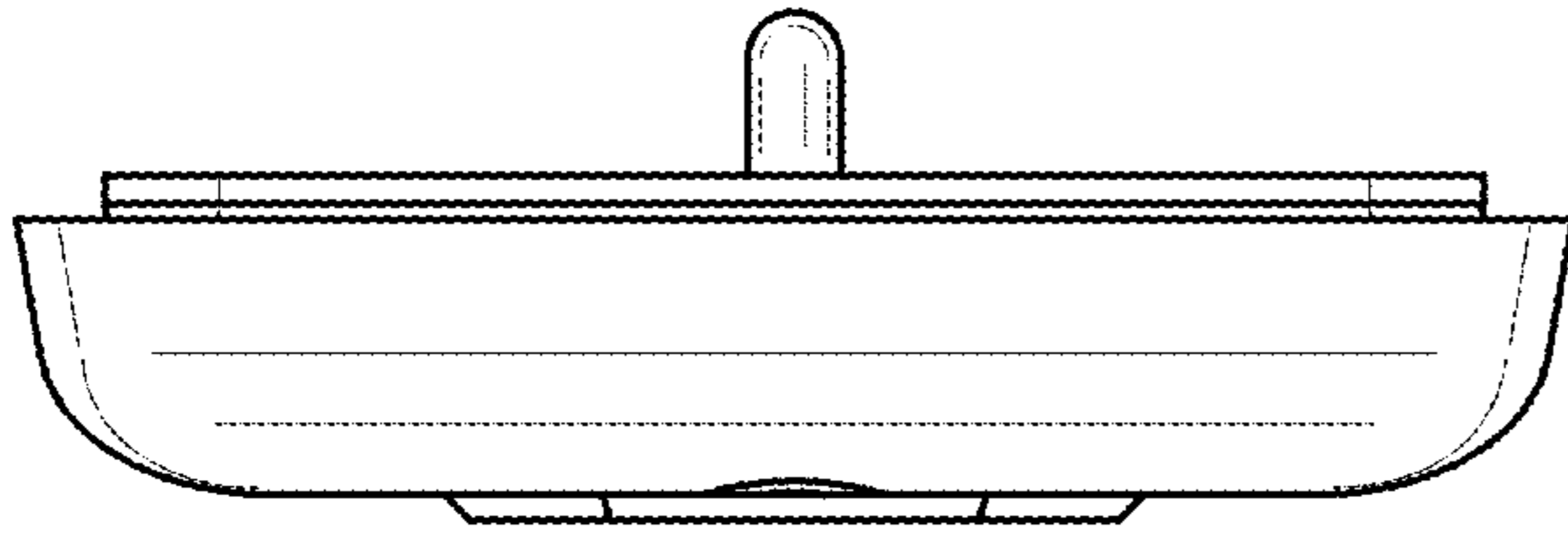


FIG. 2

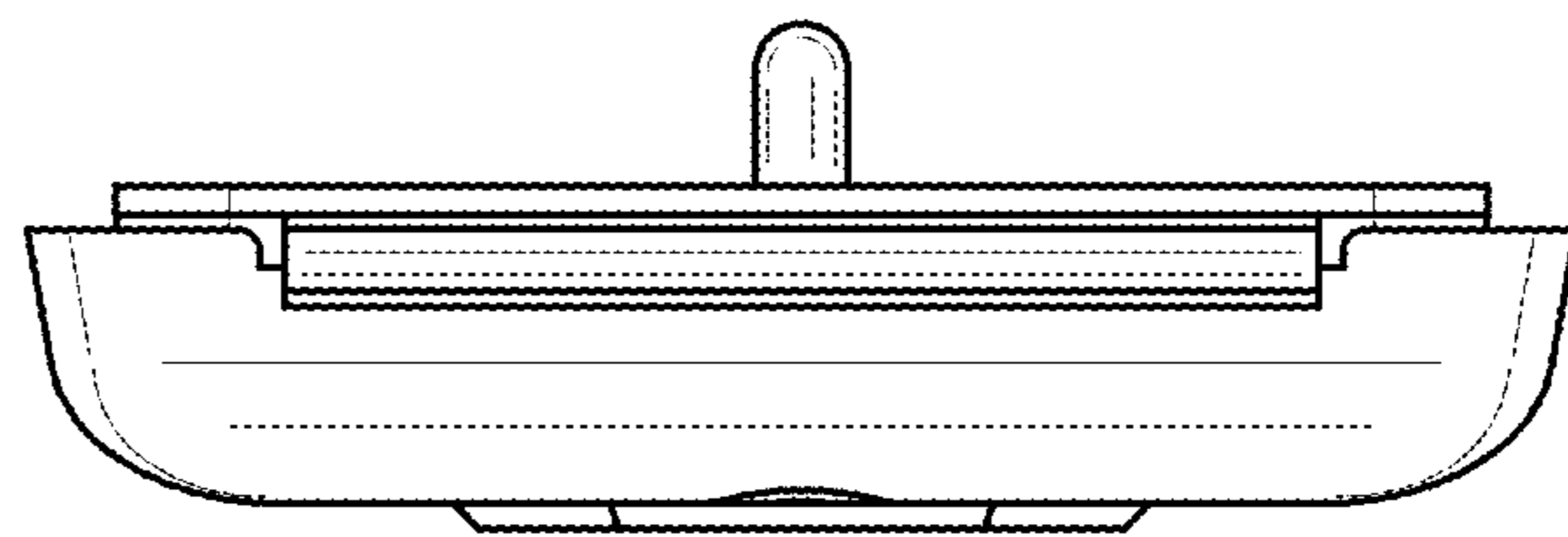


FIG. 3

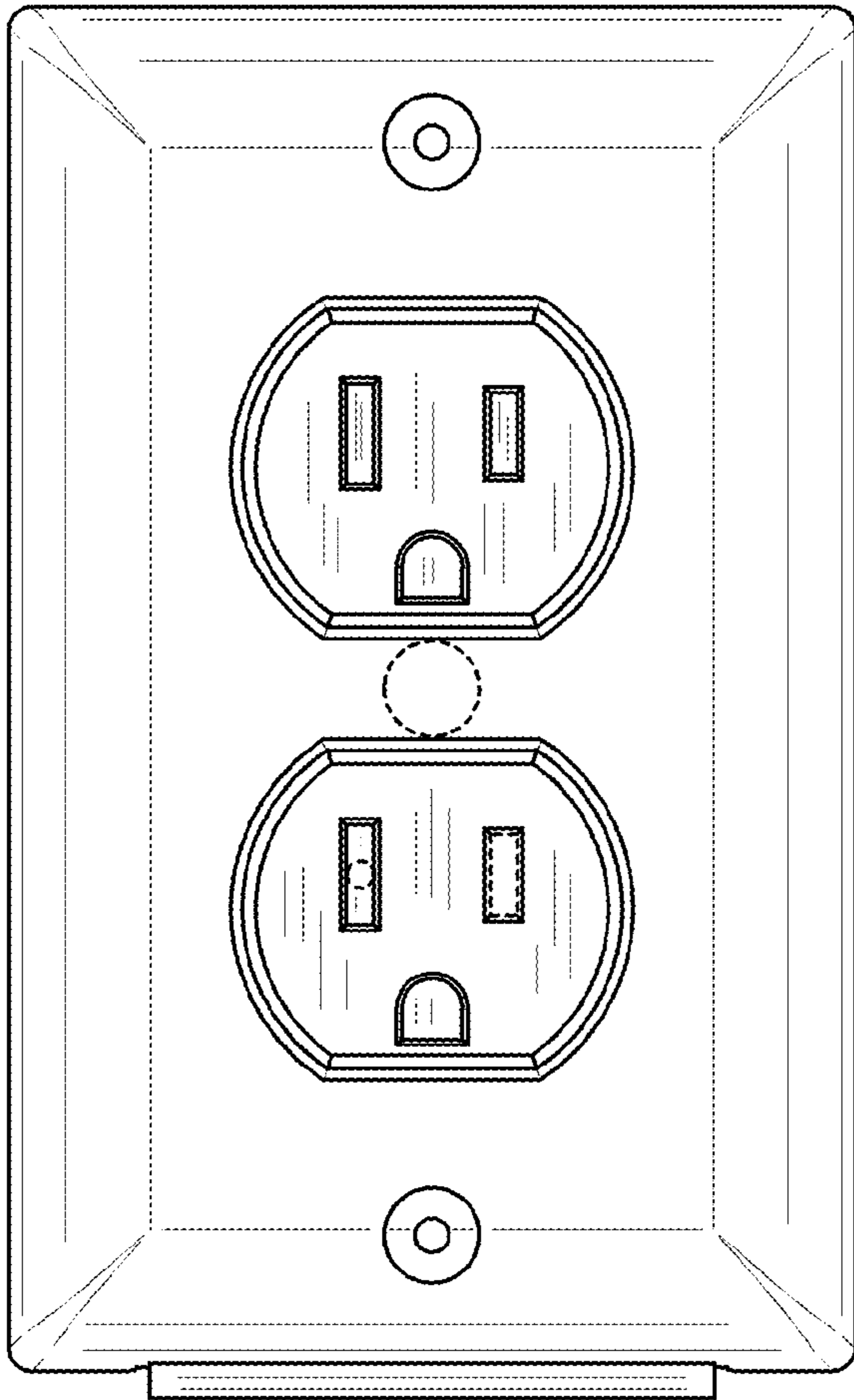


FIG. 4

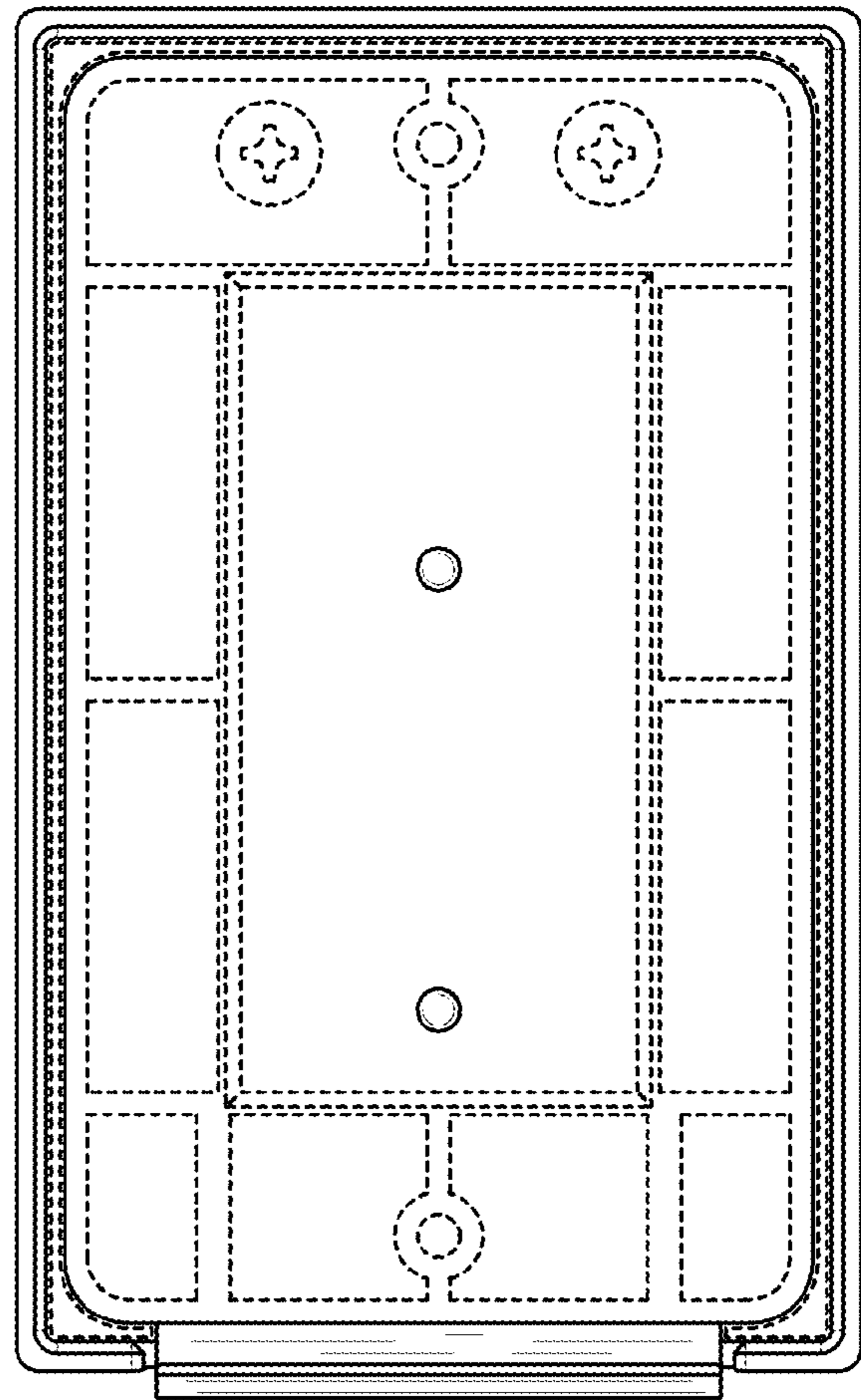


FIG. 5

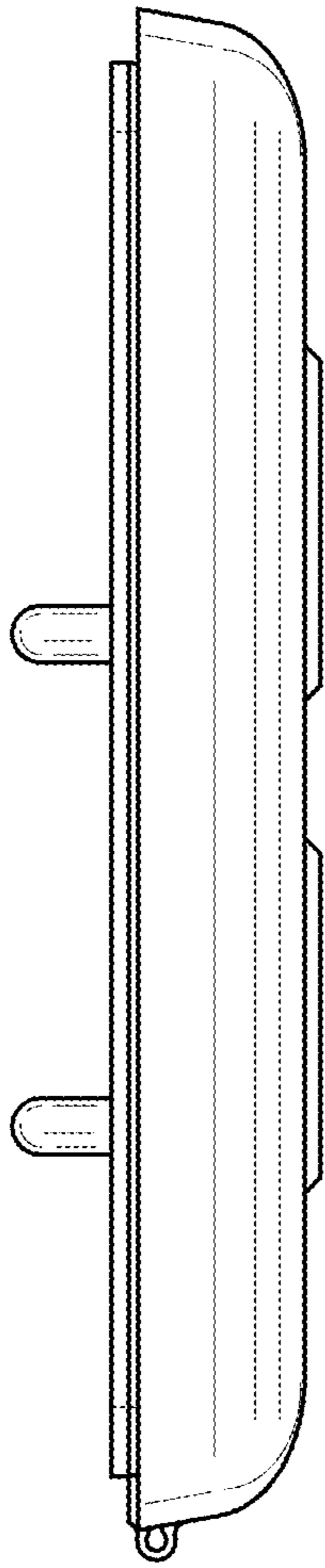


FIG. 6

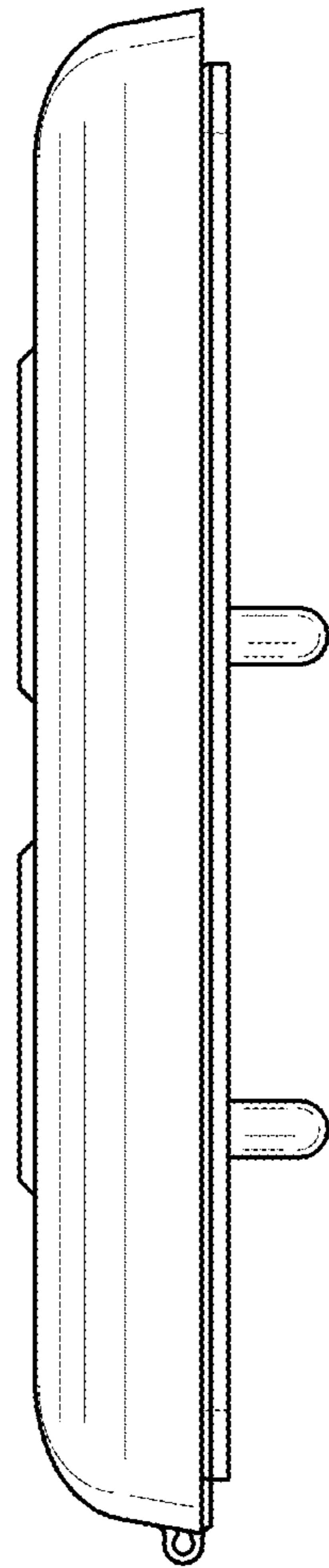


FIG. 7