



US00D947129S

(12) **United States Design Patent**  
**Zhang**

(10) **Patent No.:** **US D947,129 S**  
(45) **Date of Patent:** **\*\* Mar. 29, 2022**

(54) **PLUG**

(71) Applicant: **C-SMARTLINK INFORMATION TECHNOLOGY CO., LIMITED**, Shenzhen (CN)

(72) Inventor: **Wenfeng Zhang**, Shenzhen (CN)

(73) Assignee: **C-SMARTLINK INFORMATION TECHNOLOGY CO., LIMITED**, Shenzhen (CN)

(\*\*) Term: **15 Years**

(21) Appl. No.: **29/739,700**

(22) Filed: **Jun. 29, 2020**

(51) **LOC (13) Cl.** ..... **13-03**

(52) **U.S. Cl.**  
USPC ..... **D13/133; D13/147; D14/433**

(58) **Field of Classification Search**  
USPC ... D13/103, 107, 110, 120, 123, 133, 137.4, D13/146-147, 154, 159-160, 162, 164, D13/184, 199; D14/125, 168, D14/203.1-203.8, 240, 242, 356, 358, D14/363, 365, 366, 367, 370, 383-386, D14/432, 433, 434, 435, 435.1, 436, 437, D14/439, 480.1-480.7, 484, 484.1, 496, D14/498  
CPC ..... H05K 5/006; H01R 31/005; H01R 27/02; B60R 16/02  
See application file for complete search history.

(56) **References Cited**

**U.S. PATENT DOCUMENTS**

D356,293 S *	3/1995	Riley .....	D13/133
5,476,396 A *	12/1995	De Castro .....	B60R 16/02 439/620.31
D675,991 S *	2/2013	Sasada .....	D13/147
D895,551 S *	9/2020	Turksu .....	D13/133
D896,185 S *	9/2020	Turksu .....	D13/147

D908,095 S *	1/2021	Turksu .....	D13/147
D910,578 S *	2/2021	Turksu .....	D13/147
D924,239 S *	7/2021	Yang .....	D14/434
D924,874 S *	7/2021	Yang .....	D14/434
D934,867 S *	11/2021	Wu .....	D14/433
2009/0286419 A1 *	11/2009	Koyama .....	H01R 27/02 439/358
2020/0014161 A1 *	1/2020	Liao .....	H05K 5/006

(Continued)

**OTHER PUBLICATIONS**

Anker, Nov. 16, 2020, [online], [site visited Dec. 14, 2021], Available from internet, URL: <https://www.amazon.com/Anker-PowerExpand-Delivery-Multi-Function-Ethernet/dp/B08NJ8CWCS> (Year: 2020).\*

(Continued)

*Primary Examiner* — Shawn T Gingrich

*Assistant Examiner* — Bryan N. Melvin

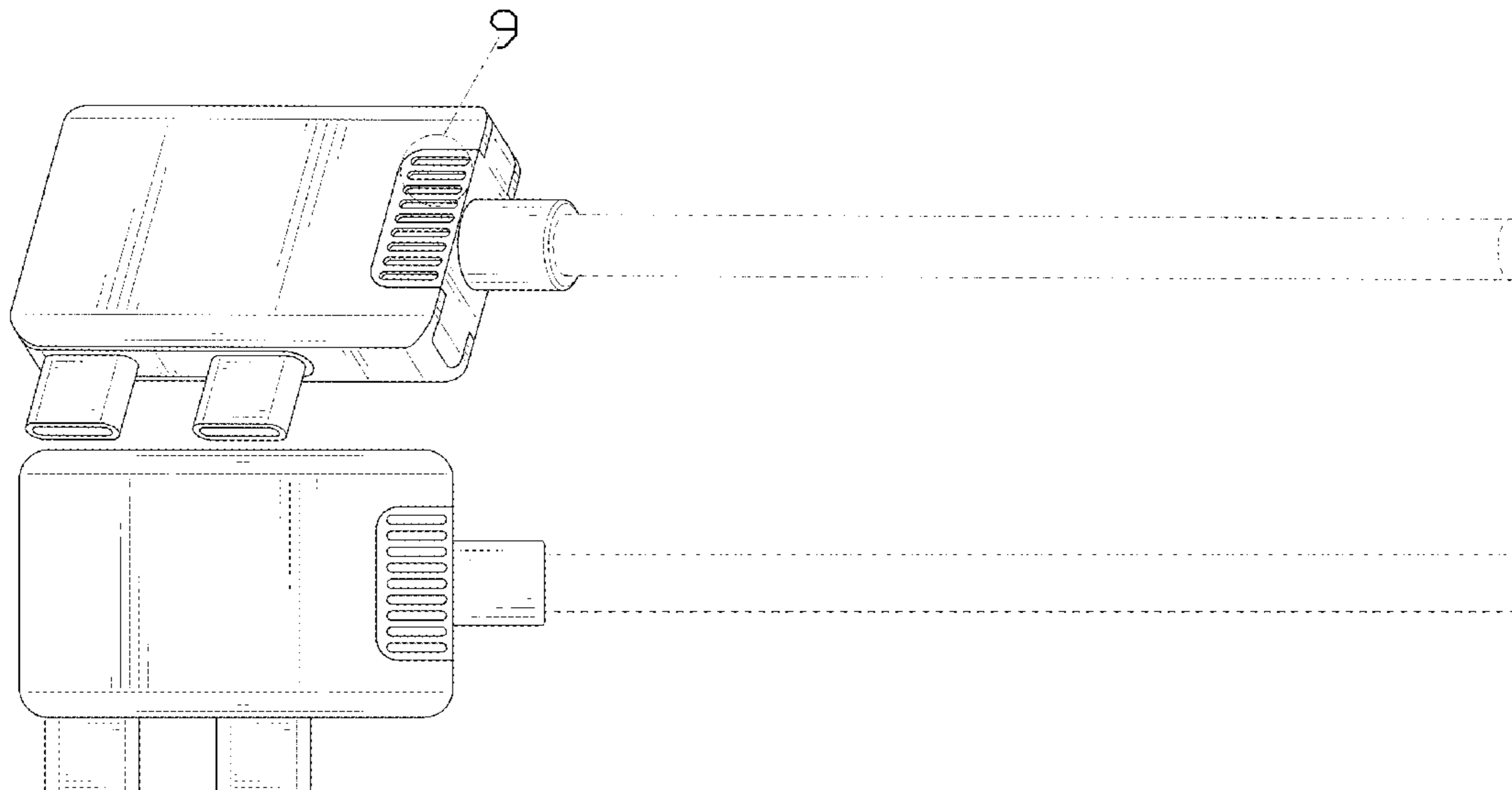
(57) **CLAIM**

The ornamental design for a plug, as shown and described.

**DESCRIPTION**

FIG. 1 is a perspective view of a plug showing my new design;  
FIG. 2 is another perspective view thereof;  
FIG. 3 is a front elevational view thereof;  
FIG. 4 is a rear elevational view thereof;  
FIG. 5 is a left side elevational view thereof;  
FIG. 6 is a right side elevational view thereof;  
FIG. 7 is a top plan view thereof;  
FIG. 8 is a bottom plan view thereof; and,  
FIG. 9 is an enlarged view of the encircled portion 9 of FIG. 1.  
The broken lines in the drawings are for the purpose of illustrating portions of the plug that form no part of the claimed design.

**1 Claim, 9 Drawing Sheets**



(56)

**References Cited**

U.S. PATENT DOCUMENTS

2020/0266594 A1\* 8/2020 Chu ..... H01R 31/005

OTHER PUBLICATIONS

C-Smartlink, Sep. 20, 2021, [online], [site visited Dec. 14, 2021], Available from internet, URL: <https://m.facebook.com/CSmartlinkInfo/photos/a.111250240762667/291040129450343/?type=3&source=48&tn=EH-R> (Year: 2021).\*

SMK-Link, Jan. 26, 2021, [online], [site visited Dec. 14, 2021], Available from internet, URL: <https://www.smklink.com/products/usb-c-dual-4k-multi-stream-mini-docking-station> (Year: 2021).\*

\* cited by examiner

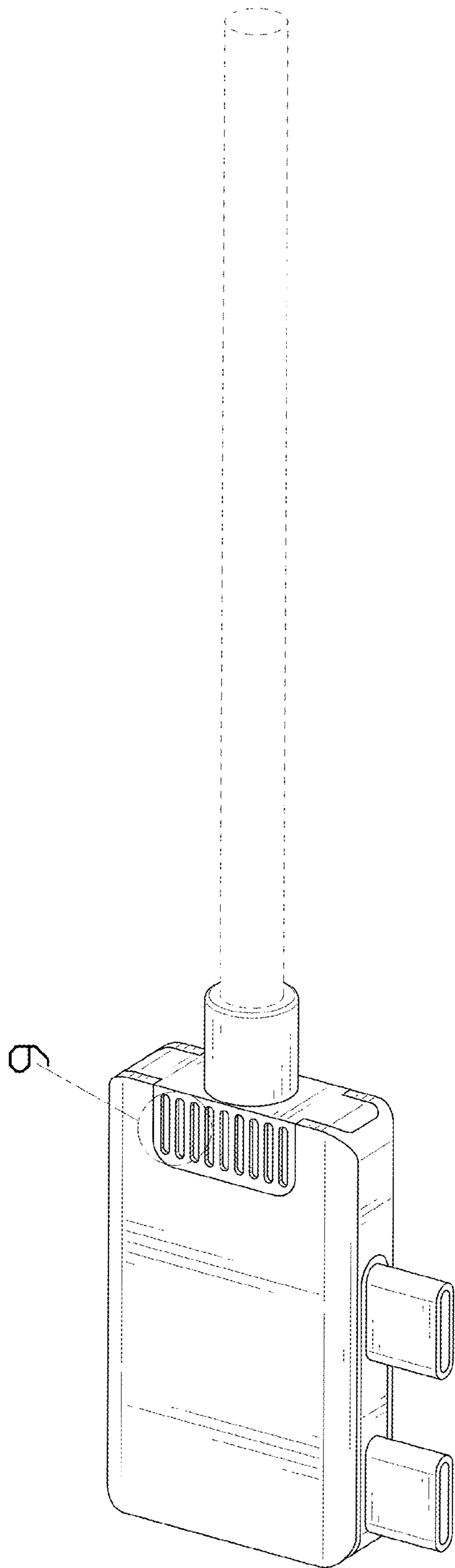


FIG. 1

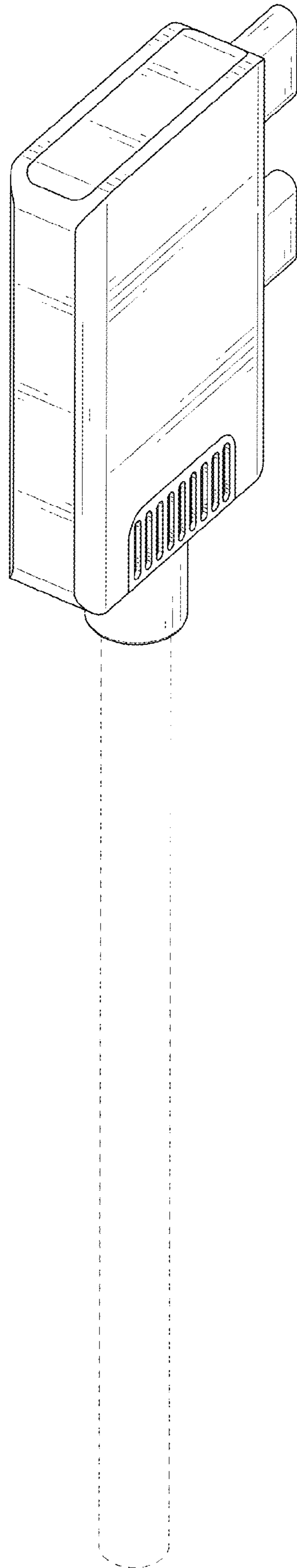


FIG. 2

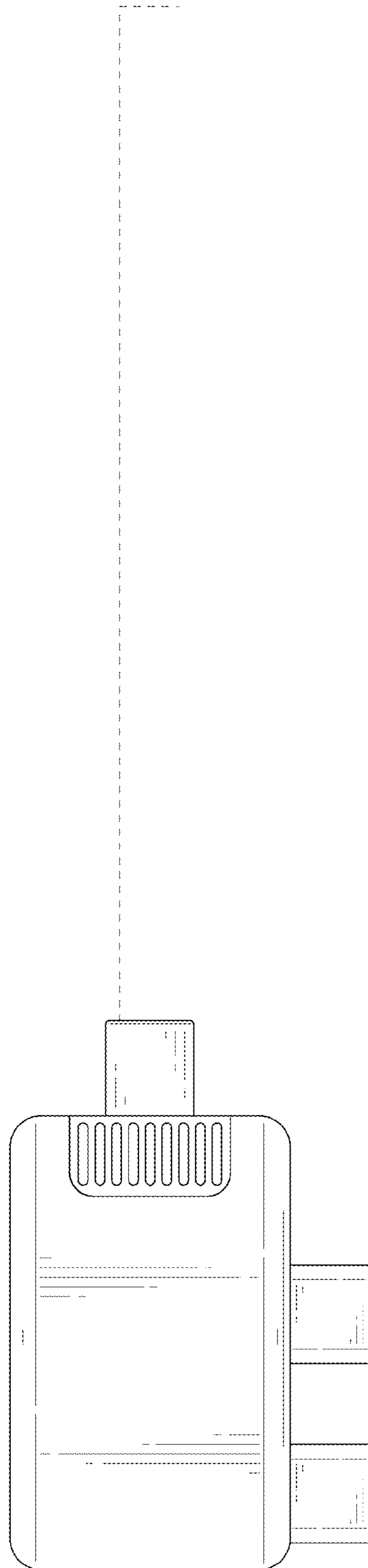


FIG. 3

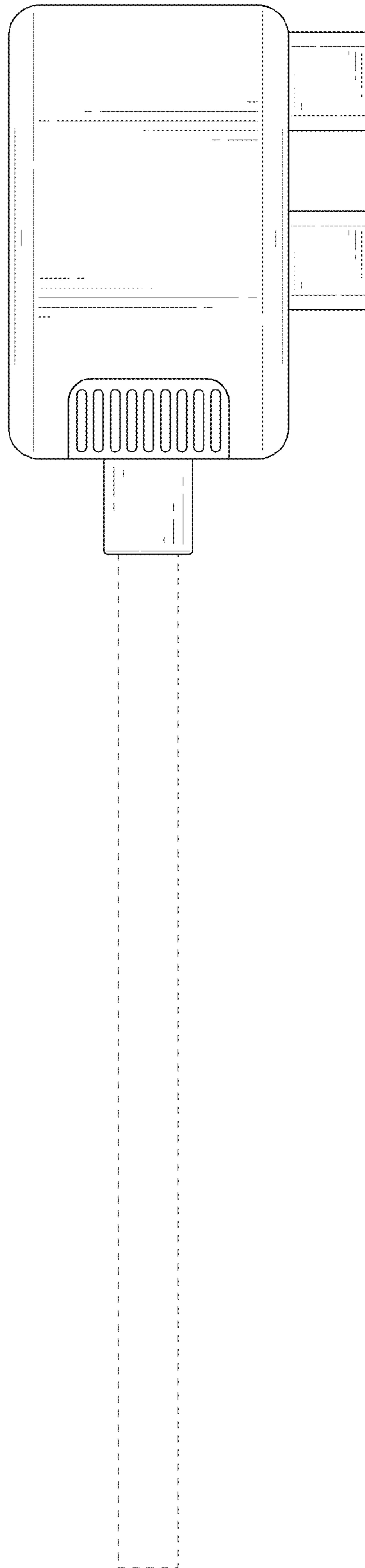


FIG. 4

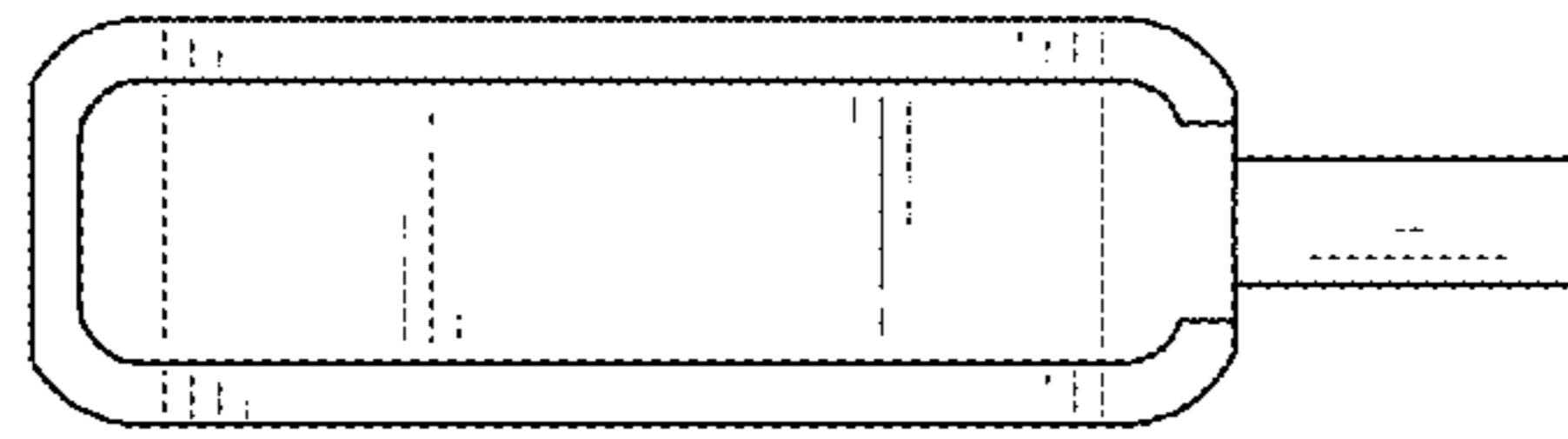


FIG. 5

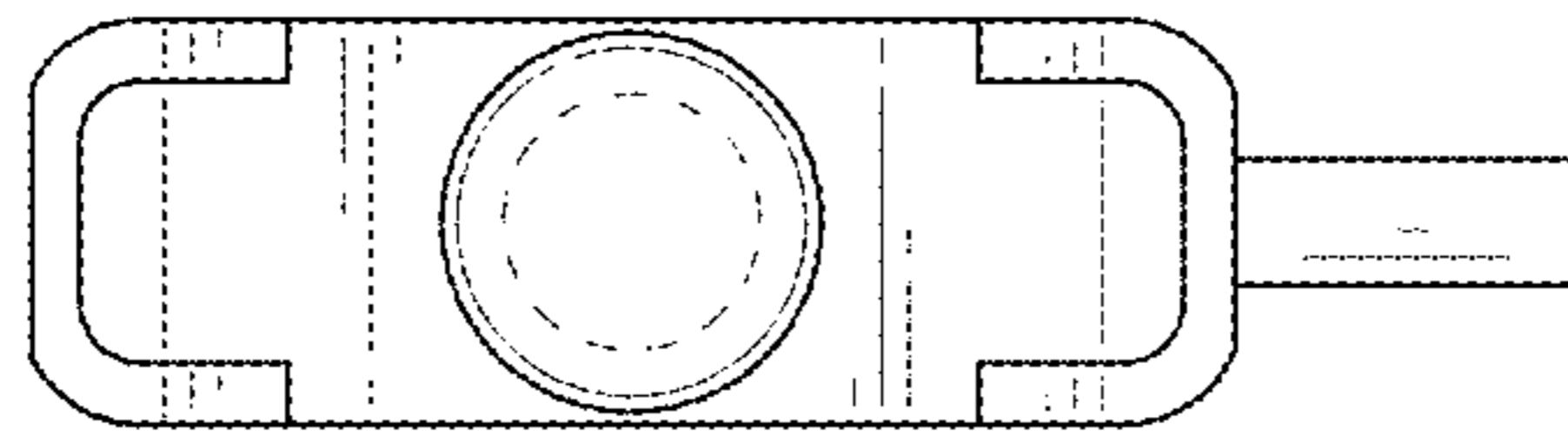


FIG. 6



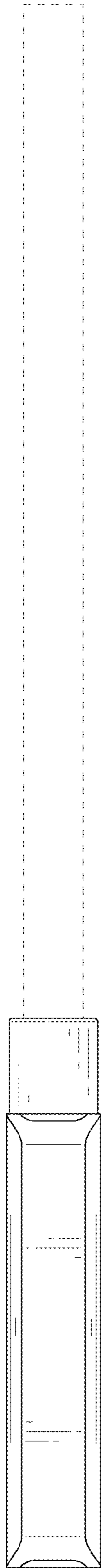


FIG. 7

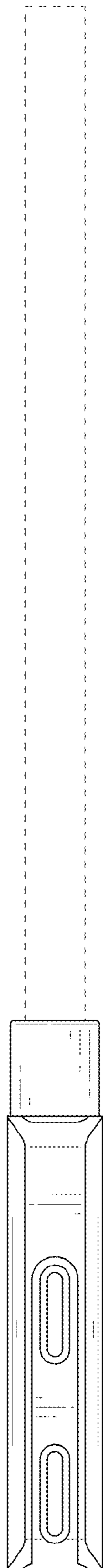


FIG. 8

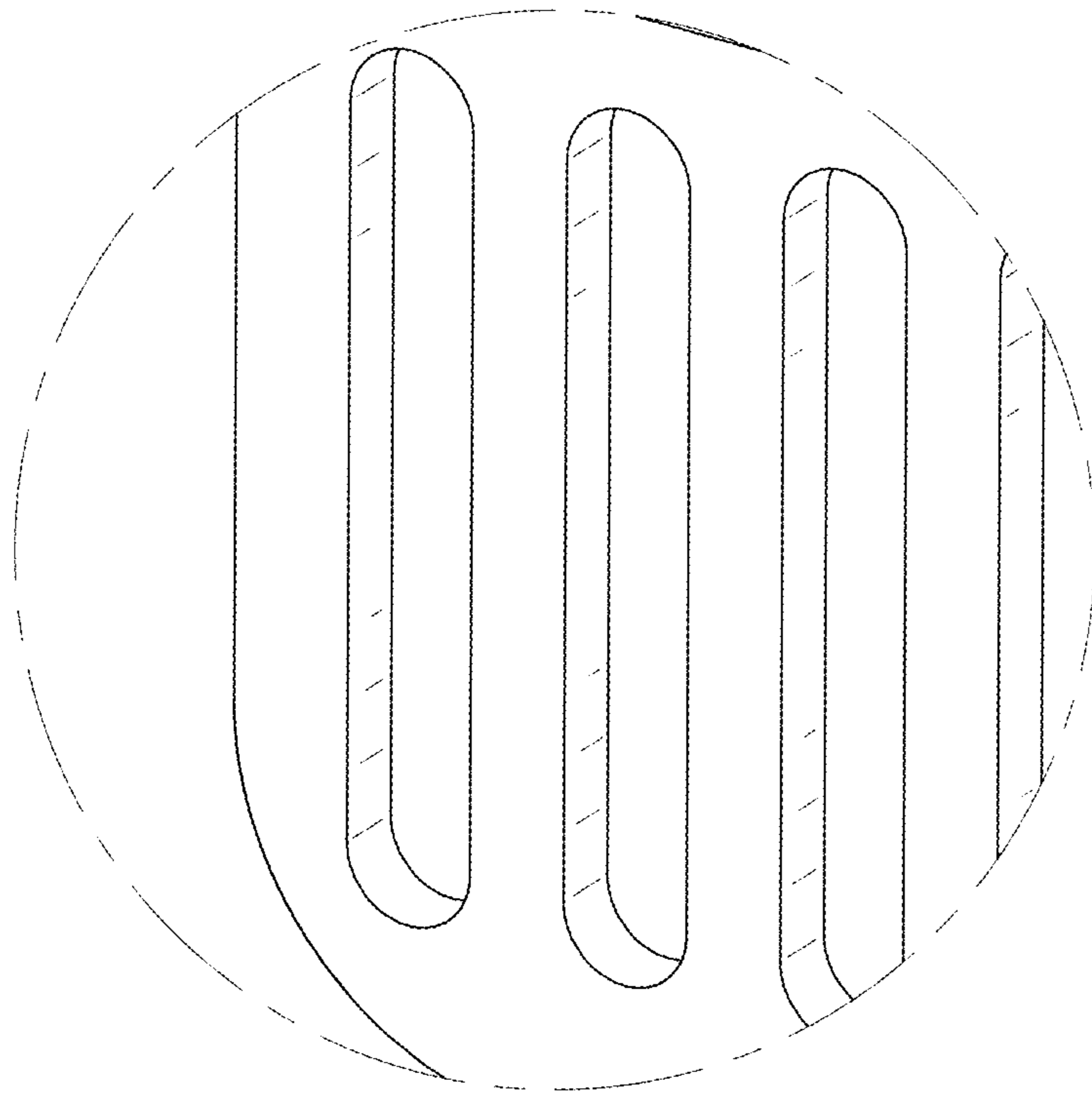


FIG. 9