

US00D947128S

(12) **United States Design Patent**  
**Hang**

(10) **Patent No.:** **US D947,128 S**

(45) **Date of Patent:** **\*\* Mar. 29, 2022**

(54) **ELECTRICAL SOCKET**

(71) Applicant: **Luen Yick Electrical Manufacturing Co. Ltd.**, Hong Kong (HK)

(72) Inventor: **Kan Chi Hang**, Kwai Chung (HK)

(73) Assignee: **LUEN YICK ELECTRICAL MANUFACTURING CO. LTD.**, New Territories (HK)

(\*\*) Term: **15 Years**

(21) Appl. No.: **29/717,253**

(22) Filed: **Dec. 16, 2019**

(30) **Foreign Application Priority Data**

Jun. 27, 2019 (EP) ..... 6600623

(51) **LOC (13) Cl.** ..... **13-03**

(52) **U.S. Cl.**  
USPC ..... **D13/133; D13/139.1**

(58) **Field of Classification Search**  
USPC ..... D13/133, 146, 147, 123, 184, 199, 118,  
D13/120, 154, 155, 156, 158, 152, 134,  
D13/137.2, 138.1, 138.2, 139.1, 139.4,  
D13/139.5, 137.1, 137.3, 137.4  
CPC ..... H01R 13/52; H01R 13/5202;  
H01R 13/5205; H01R 13/5208; H01R  
13/5213; H01R 13/639; H01R 13/40;  
H01R 13/74; H01R 13/62; H01R  
2201/00; H01R 9/223; H01R 4/4818;  
H01R 4/24; H01R 4/48; H01R 4/38;  
H01R 4/2441; H01R 4/2458; H01R 4/60  
See application file for complete search history.

(56) **References Cited**

**U.S. PATENT DOCUMENTS**

D484,097 S \* 12/2003 Drane ..... D13/139.4  
7,183,503 B2 \* 2/2007 Bowman ..... H02G 3/185  
174/483

D620,889 S \* 8/2010 Smith ..... D13/138.2  
D691,099 S \* 10/2013 Li ..... D13/174  
D692,401 S \* 10/2013 Li ..... D13/174  
D700,150 S \* 2/2014 Li ..... D13/174  
D712,848 S \* 9/2014 Dorn ..... D13/174  
D725,612 S \* 3/2015 Schlegel ..... D13/174  
D741,266 S \* 10/2015 Byrne ..... D13/138.2  
D755,792 S \* 5/2016 Lessel ..... D14/435  
D807,297 S \* 1/2018 Byrne ..... D13/139.1

(Continued)

**OTHER PUBLICATIONS**

Desktop grommet USB charger. Date: Not listed. [online]. [Site visited Sep. 17, 2021]. Available from Internet URL: [https://www.globalsources.com/Multi-port-USB/Desktop-Grommet-USB-Charger-1172547985p.htm?source=GSOL\\_MWS\\_VD#1172547985](https://www.globalsources.com/Multi-port-USB/Desktop-Grommet-USB-Charger-1172547985p.htm?source=GSOL_MWS_VD#1172547985) (Year: NA).\*

(Continued)

*Primary Examiner* — Susan Bennett Hattan

*Assistant Examiner* — Landon Thomas Cassell

(74) *Attorney, Agent, or Firm* — Notaro, Michalos & Zaccaria P.C.

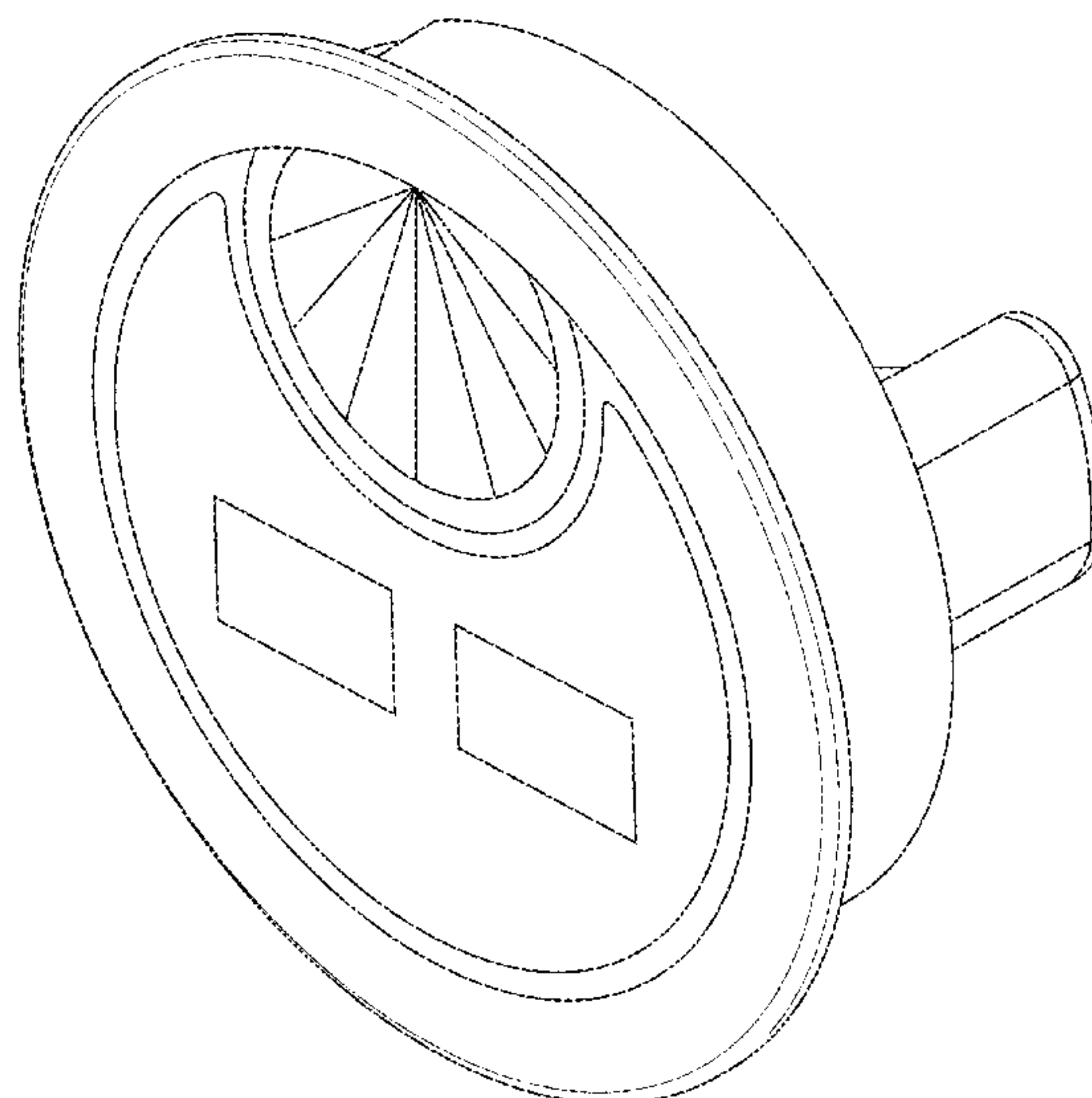
(57) **CLAIM**

The ornamental design for an electrical socket, as shown and described.

**DESCRIPTION**

FIG. 1 is a front, right perspective view of an electrical socket showing my design therefor;  
FIG. 2 is a front elevational view thereof;  
FIG. 3 is a rear elevational view thereof;  
FIG. 4 is a left side elevational view thereof;  
FIG. 5 is a right side elevational view thereof;  
FIG. 6 is a top plan view thereof; and,  
FIG. 7 is a bottom plan view thereof.  
The broken lines in the drawing depict environmental subject matter only and form no part of the claimed design.

**1 Claim, 7 Drawing Sheets**



(56)

**References Cited**

## U.S. PATENT DOCUMENTS

D807,829 S \* 1/2018 Byrne ..... D13/138.2  
D826,858 S \* 8/2018 Little ..... D13/137.2  
D828,308 S \* 9/2018 Smith ..... D13/155  
D832,801 S \* 11/2018 Dorn ..... D13/174  
D852,149 S \* 6/2019 Wasmeier ..... D13/174  
2014/0199867 A1 \* 7/2014 Rogers ..... H01R 31/06  
439/173  
2019/0089073 A1 \* 3/2019 Mori ..... B60K 15/05

## OTHER PUBLICATIONS

Uxcell—Desk Grommet. Date: May 22, 2019. [online]. [Site visited Sep. 14, 2021]. Available from Internet URL: <https://www.amazon.com/dp/B07S5RKDDZ/> (Year: 2019).\*

CCEI—USB Grommet Outlet. Date: May 6, 2019. [online]. [Site visited May 19, 2021]. Available from Internet URL: <https://www.amazon.com/dp/B07RNHQXBF/> (Year: 2019).\*

Electrical sockets. (Design—© Questel) orbit.com. [Online PDF compilation of references] 19 pgs. Print Dates Range Feb. 5, 2007-Feb. 2, 2016 [Retrieved Sep. 17, 2021] <https://www.orbit.com/export/UCZAH96B/pdf4/1ba3a420-6dd9-4de5-b732-6c64ea1cccb8-211914.pdf> (Year: 2021).\*

\* cited by examiner

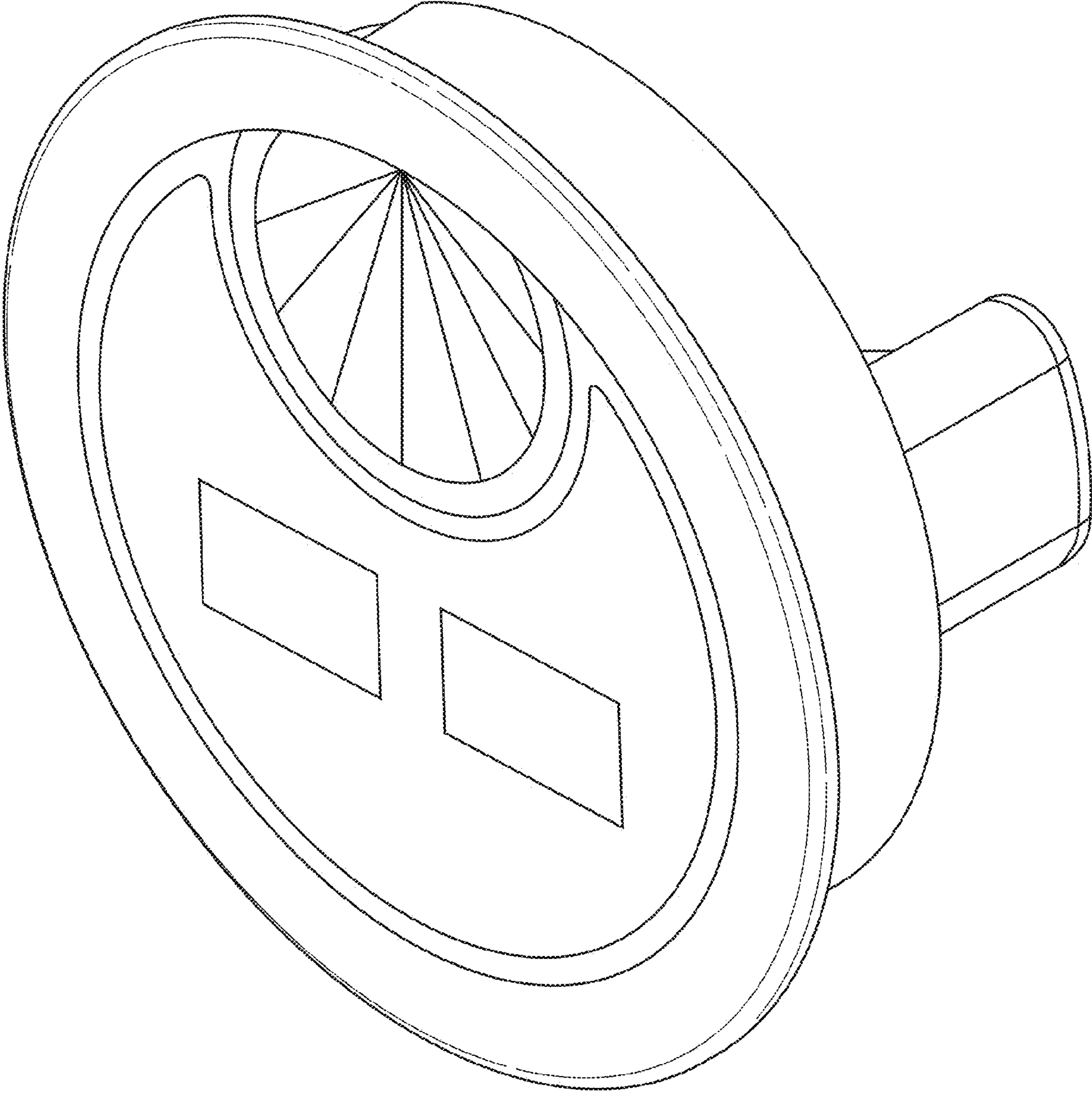


FIG. 1

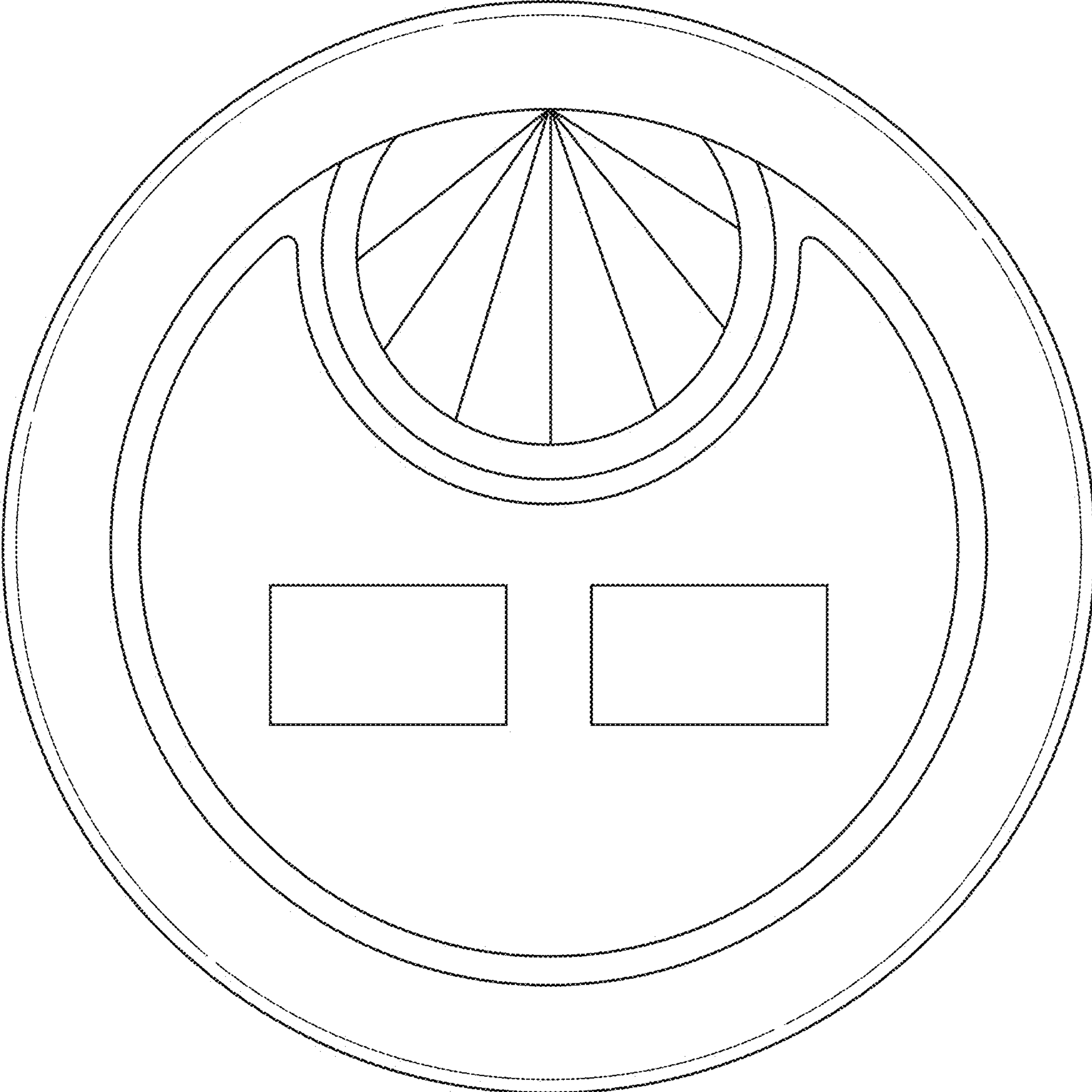


FIG. 2



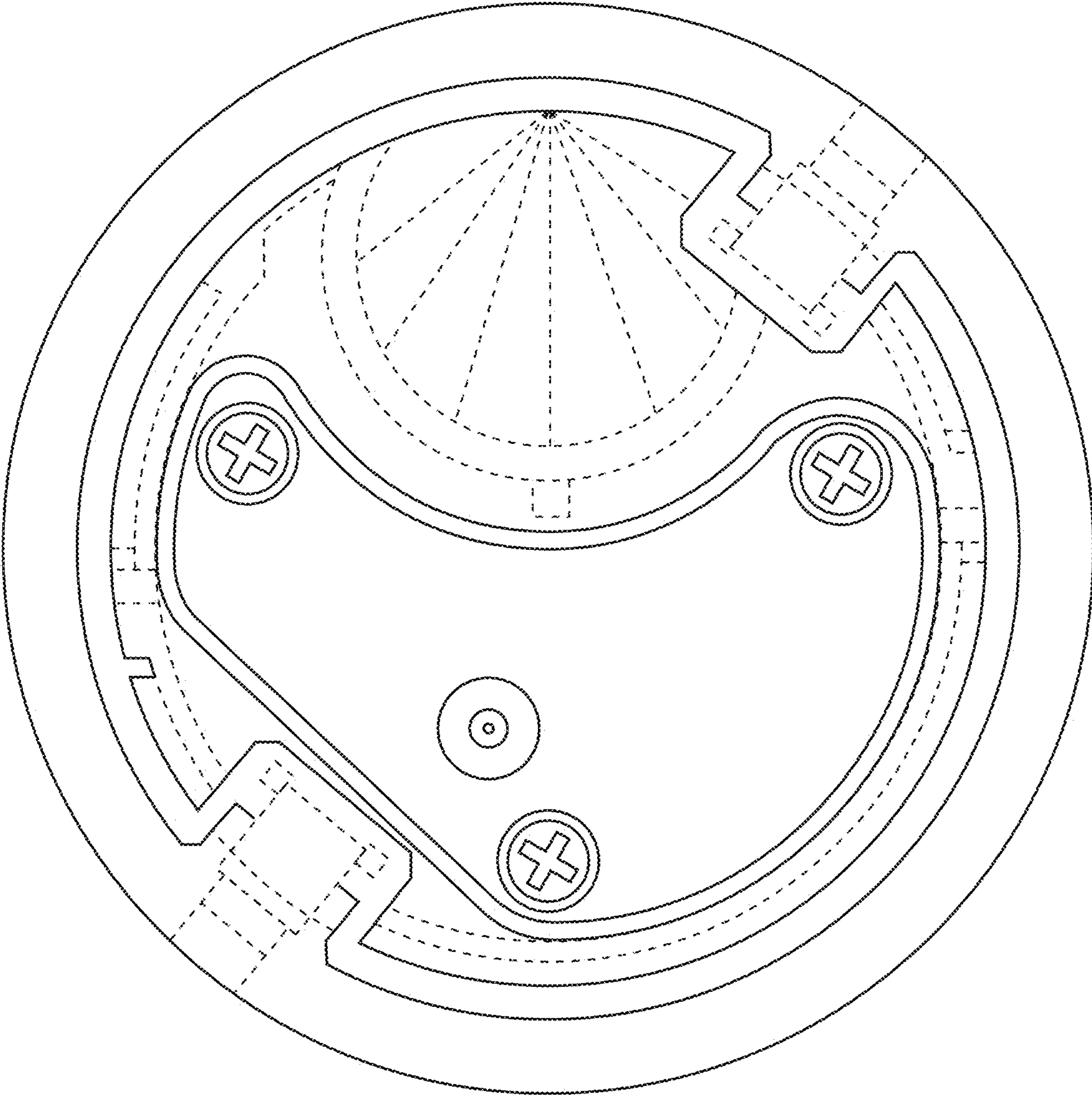


FIG. 3

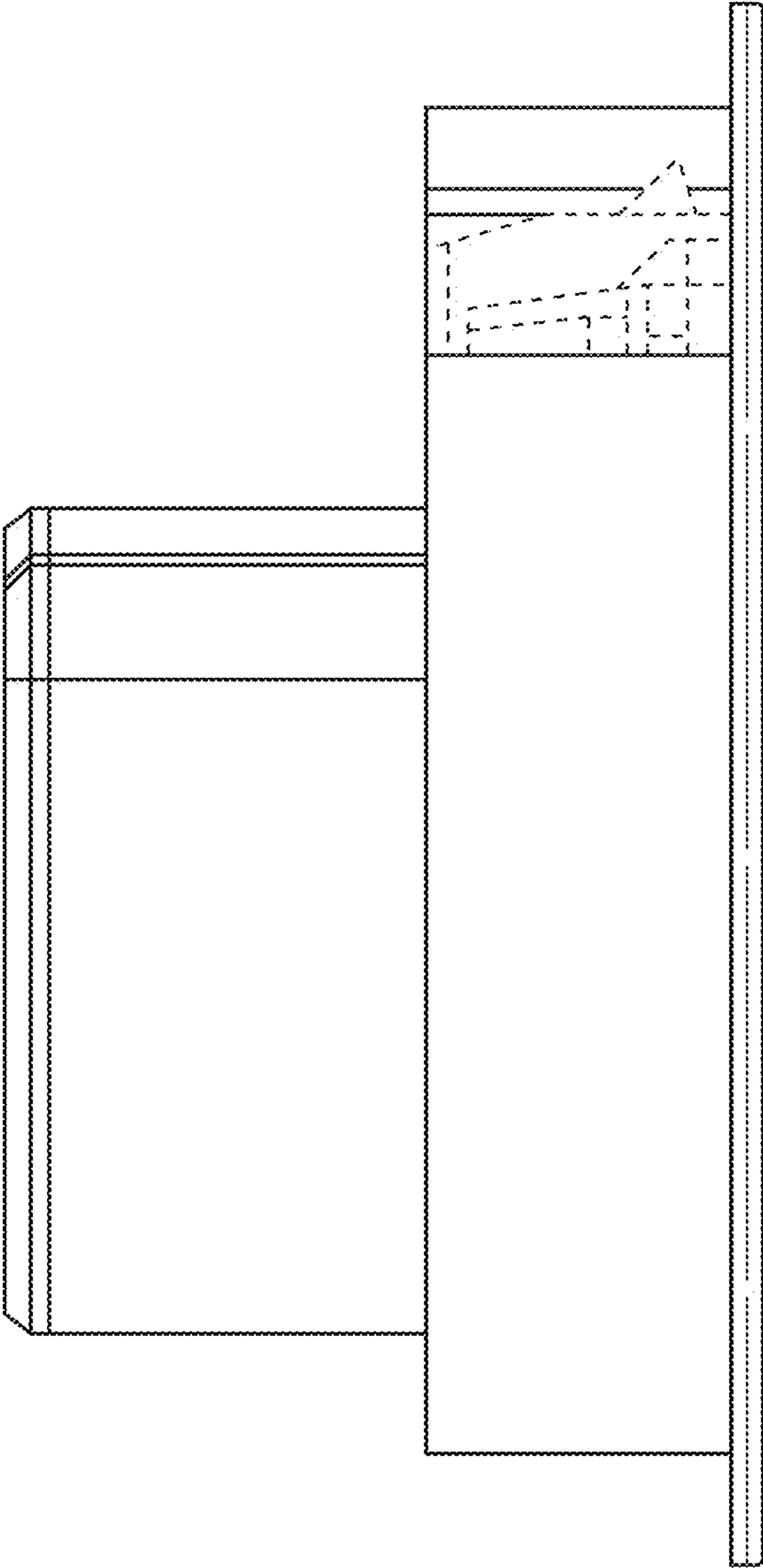


FIG. 4

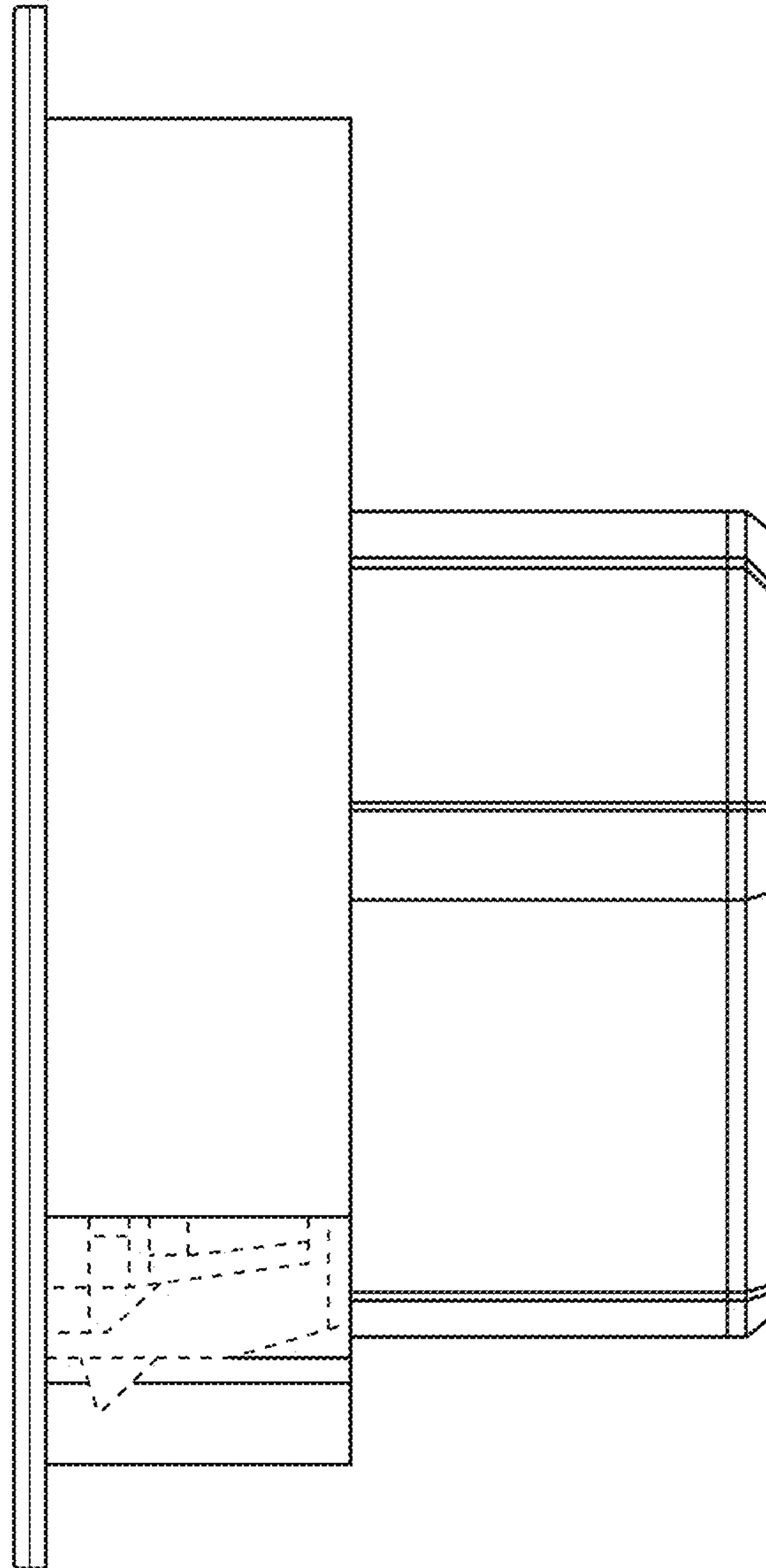


FIG. 5

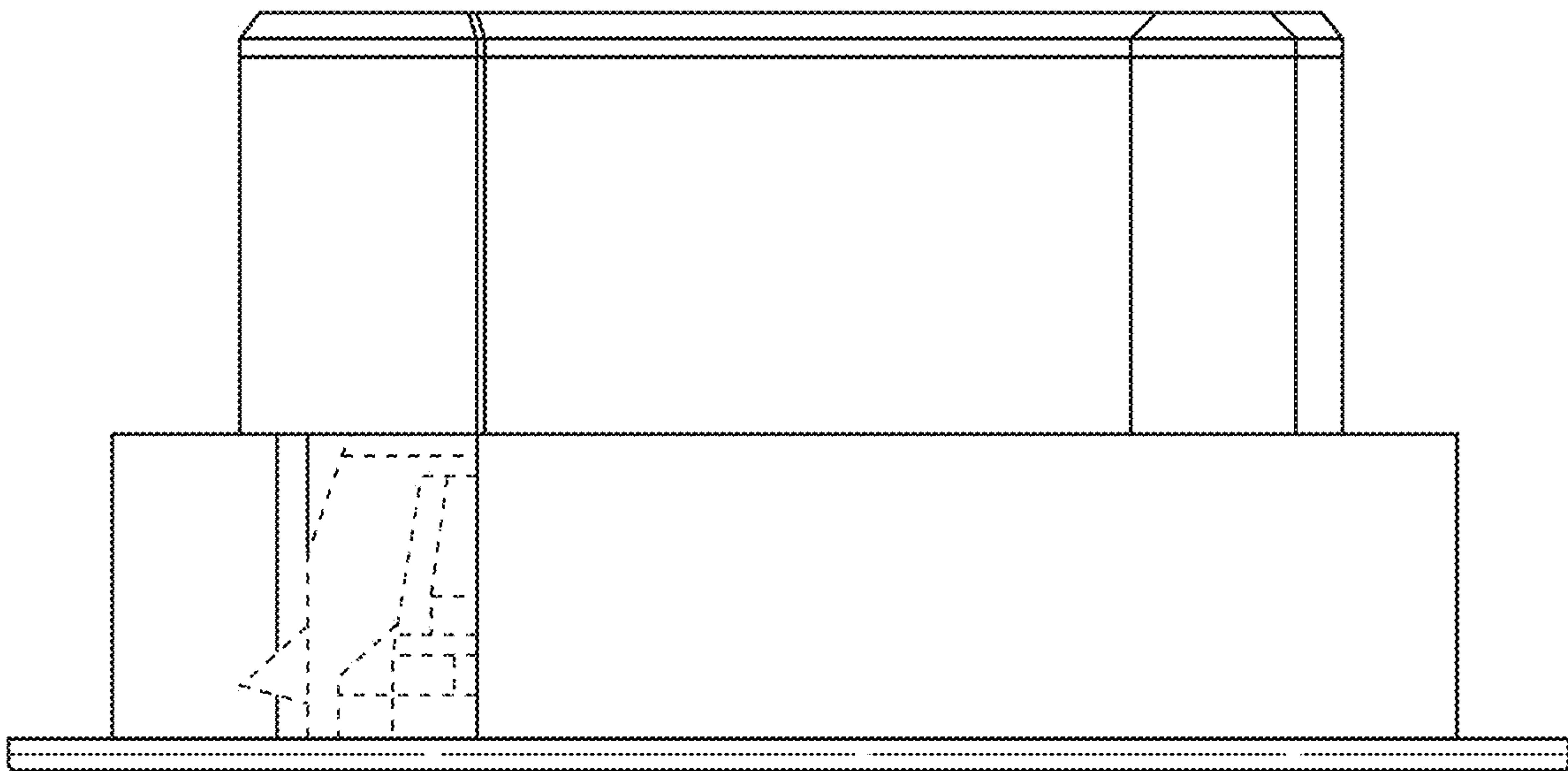


FIG. 6



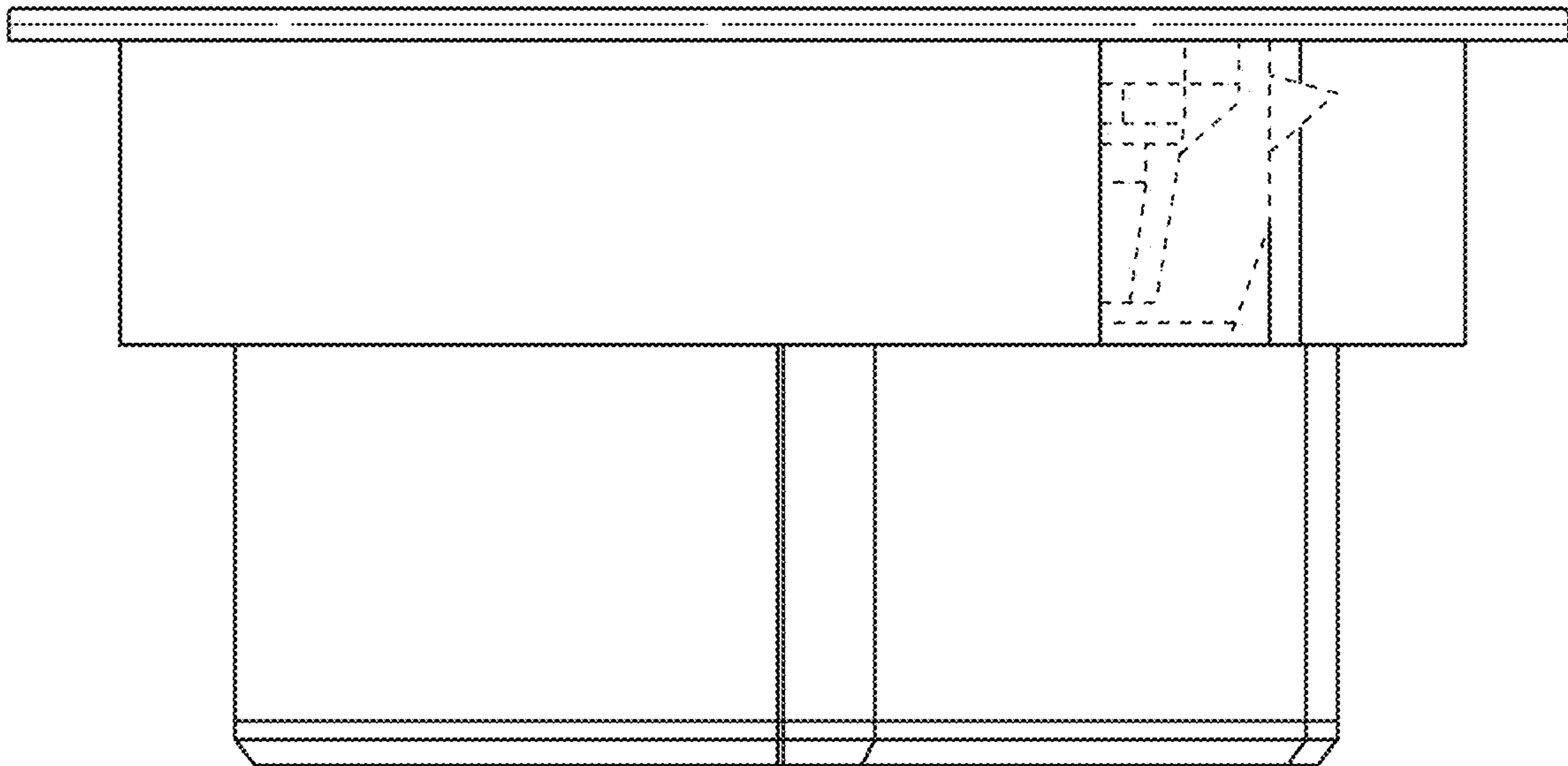


FIG. 7