



US00D947126S

(12) **United States Design Patent**
Johansson et al.

(10) **Patent No.:** **US D947,126 S**
(45) **Date of Patent:** **** Mar. 29, 2022**

(54) **TURBINE VANE**
(71) Applicant: **Siemens Gas and Power GmbH & Co. KG**, Munich (DE)
(72) Inventors: **Bengt Johansson**, Linköping (SE);
Almir Ajkunic, Norrköping (SE);
Ranjith Kumar Arinipalli, Finspång (SE); **Antonio Pesare**, Norrköping (SE)
(73) Assignee: **SIEMENS ENERGY GLOBAL GMBH & CO. KG**, Munich (DE)
(**) Term: **15 Years**

2005/0100437 A1* 5/2005 Phillips F01D 5/186
415/115
2010/0068034 A1* 3/2010 Schiavo F01D 5/282
415/115
2010/0284815 A1* 11/2010 Parker F01D 5/14
416/223 A
2013/0011265 A1* 1/2013 Miller F01D 9/041
416/191
2015/0285081 A1* 10/2015 Spangler F01D 5/147
416/97 R
2016/0024971 A1* 1/2016 Pearce F01D 9/041
415/208.1
2016/0115972 A1* 4/2016 Taylor F04D 29/324
415/208.2
2020/0063570 A1* 2/2020 Parker F01D 5/225

* cited by examiner

(21) Appl. No.: **29/749,351**
(22) Filed: **Sep. 4, 2020**
(51) **LOC (13) Cl.** **13-01**
(52) **U.S. Cl.**
USPC **D13/122**; D13/115
(58) **Field of Classification Search**
USPC D13/101, 112, 114, 115, 118, 122, 199;
D12/344, 345
CPC .. F05D 2250/14; F05D 2250/71; B23P 15/02;
F01D 5/14; F01D 5/16; F01D 5/18; F01D
5/28; F01D 5/147; F01D 5/186; F01D
5/187; F01D 11/006; F01D 11/008; F01D
11/08
See application file for complete search history.

Primary Examiner — Derrick E Holland

(57) **CLAIM**

We claim the ornamental design for a turbine vane, as shown and described.

DESCRIPTION

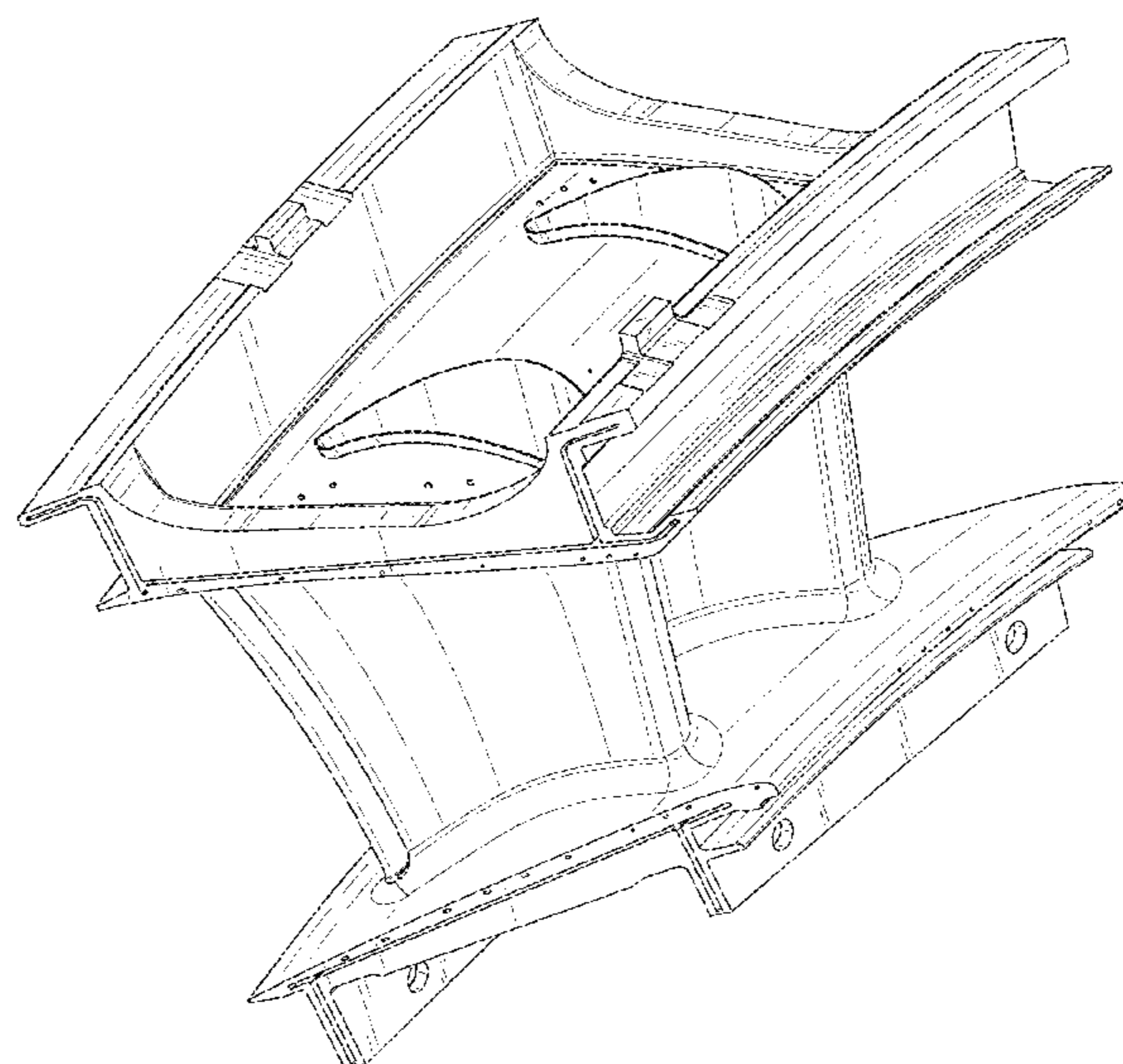
FIG. 1 is a perspective view of a first embodiment of a turbine vane showing the new design.
FIG. 2 is a front view of the turbine vane of FIG. 1.
FIG. 3 is a rear view of the turbine vane of FIG. 1.
FIG. 4 is a left side view of the turbine vane of FIG. 1.
FIG. 5 is a right side view of the turbine vane of FIG. 1.
FIG. 6 is a top view of the turbine vane of FIG. 1.
FIG. 7 is a bottom view of the turbine vane of FIG. 1.
FIG. 8 is a perspective view of a second embodiment of a turbine vane showing the new design.
FIG. 9 is a front view of the turbine vane of FIG. 8.
FIG. 10 is a rear view of the turbine vane of FIG. 8.
FIG. 11 is a left side view of the turbine vane of FIG. 8.
FIG. 12 is a right side view of the turbine vane of FIG. 8.
FIG. 13 is a top view of the turbine vane of FIG. 8; and,
FIG. 14 is a bottom view of the turbine vane of FIG. 8.

(56) **References Cited**

U.S. PATENT DOCUMENTS

D675,983 S * 2/2013 Berdan D13/115
D716,228 S * 10/2014 McCamley D13/115
8,951,013 B2* 2/2015 Miller F01D 5/10
416/190
8,979,481 B2* 3/2015 Ingram F01D 11/04
415/115
D732,657 S * 6/2015 Peterson D23/413
D770,383 S * 11/2016 Lurie D13/115
9,797,270 B2* 10/2017 O'Leary F01D 5/22

1 Claim, 14 Drawing Sheets



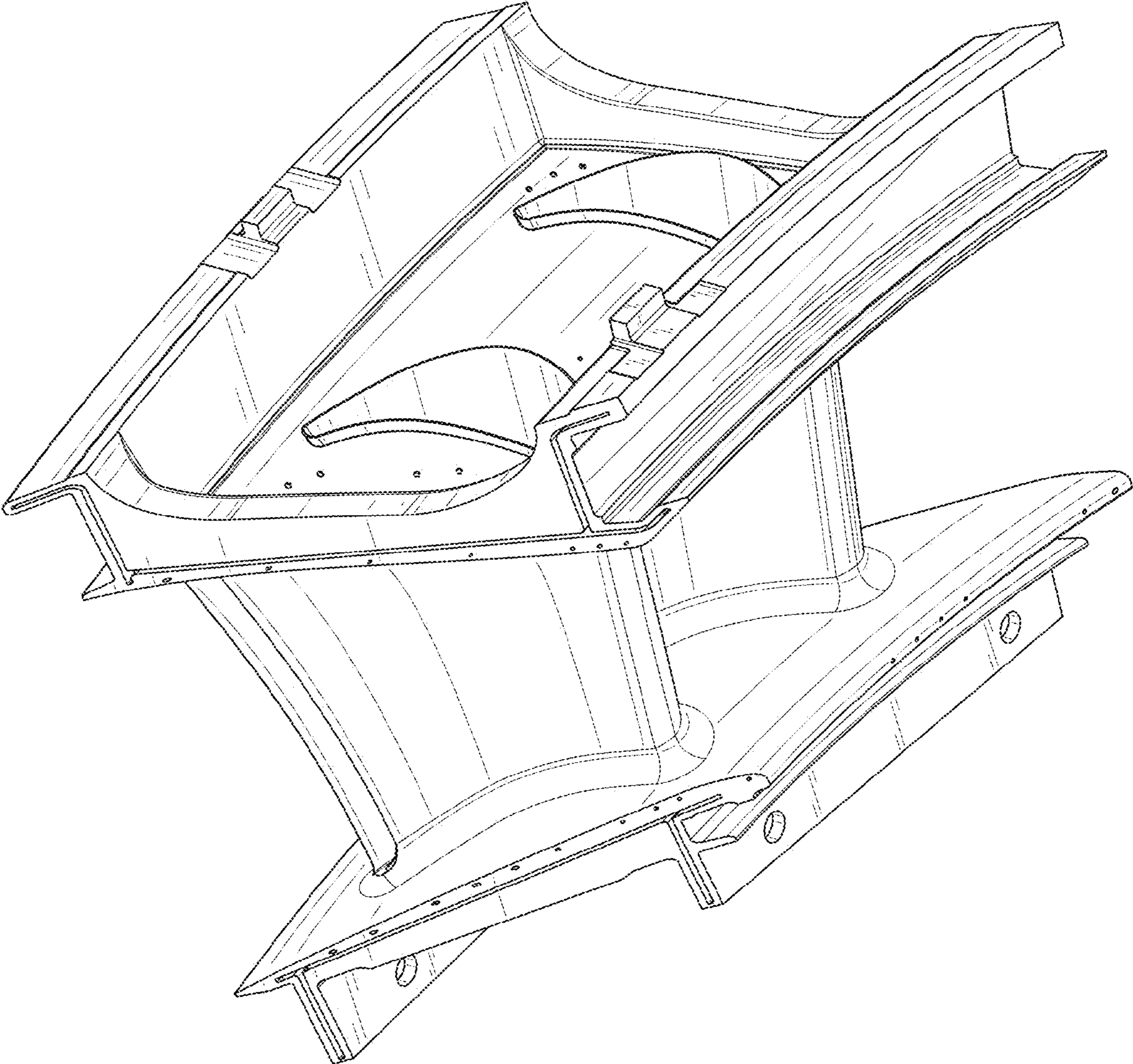


FIG. 1

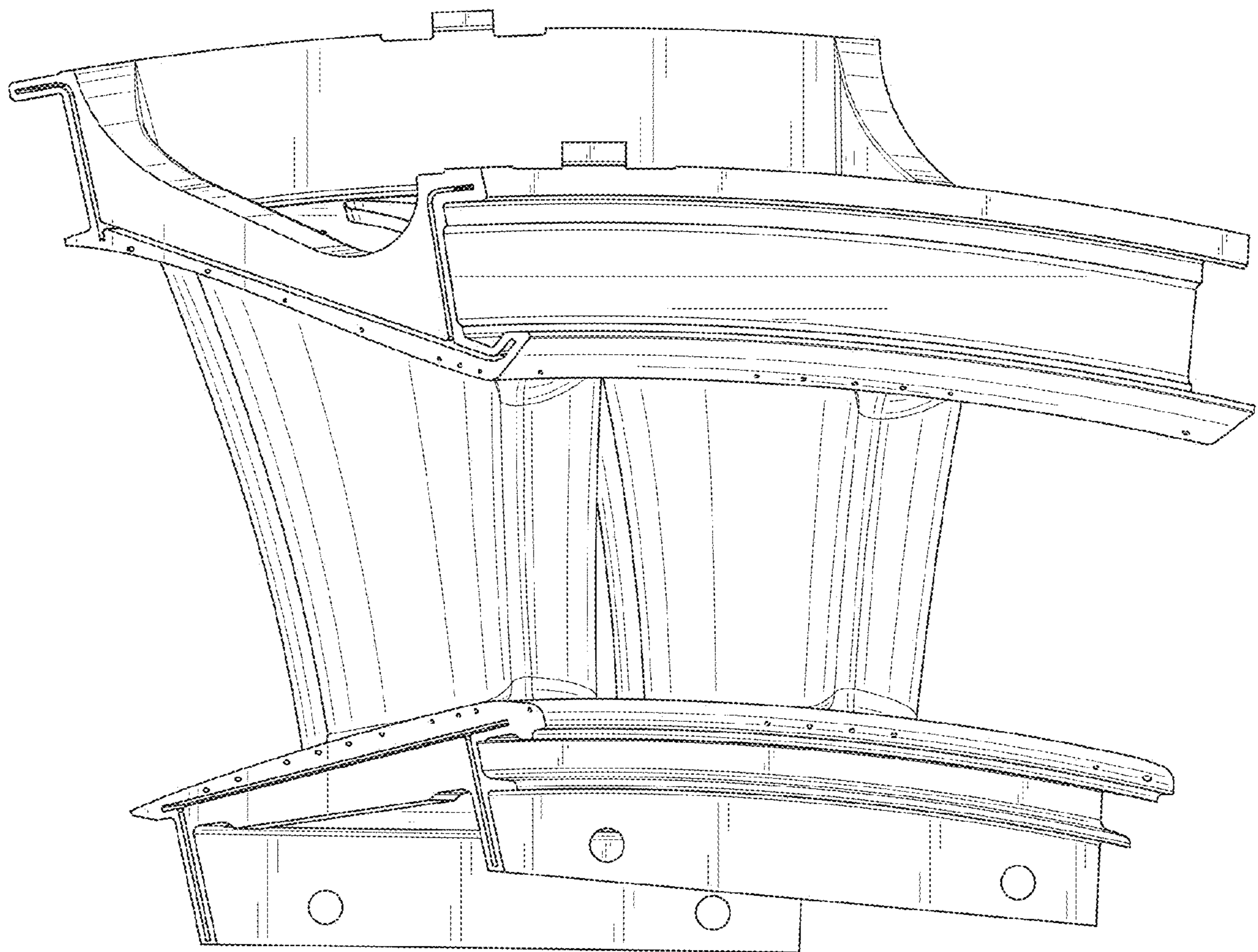


FIG. 2

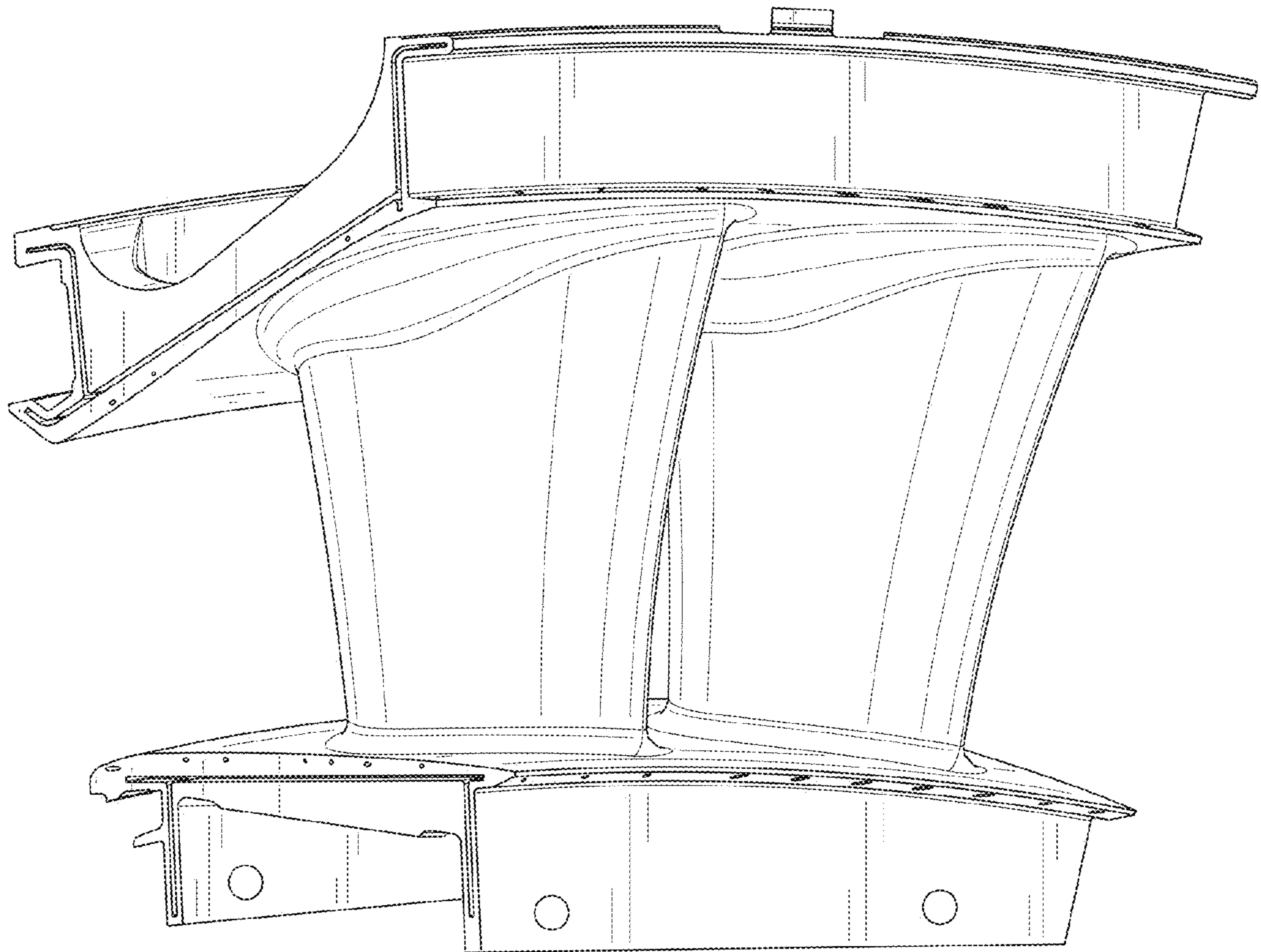


FIG. 3

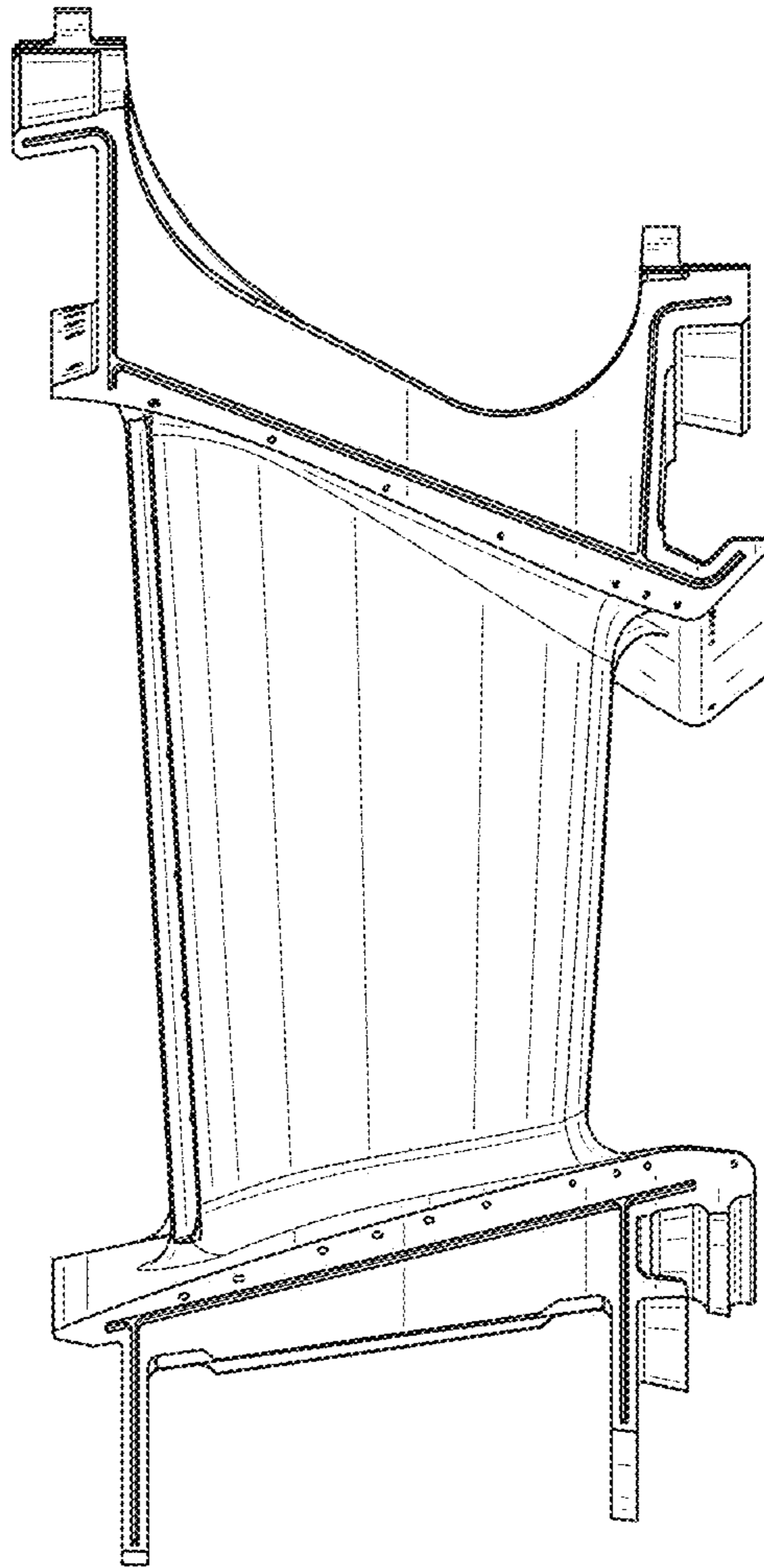


FIG. 4

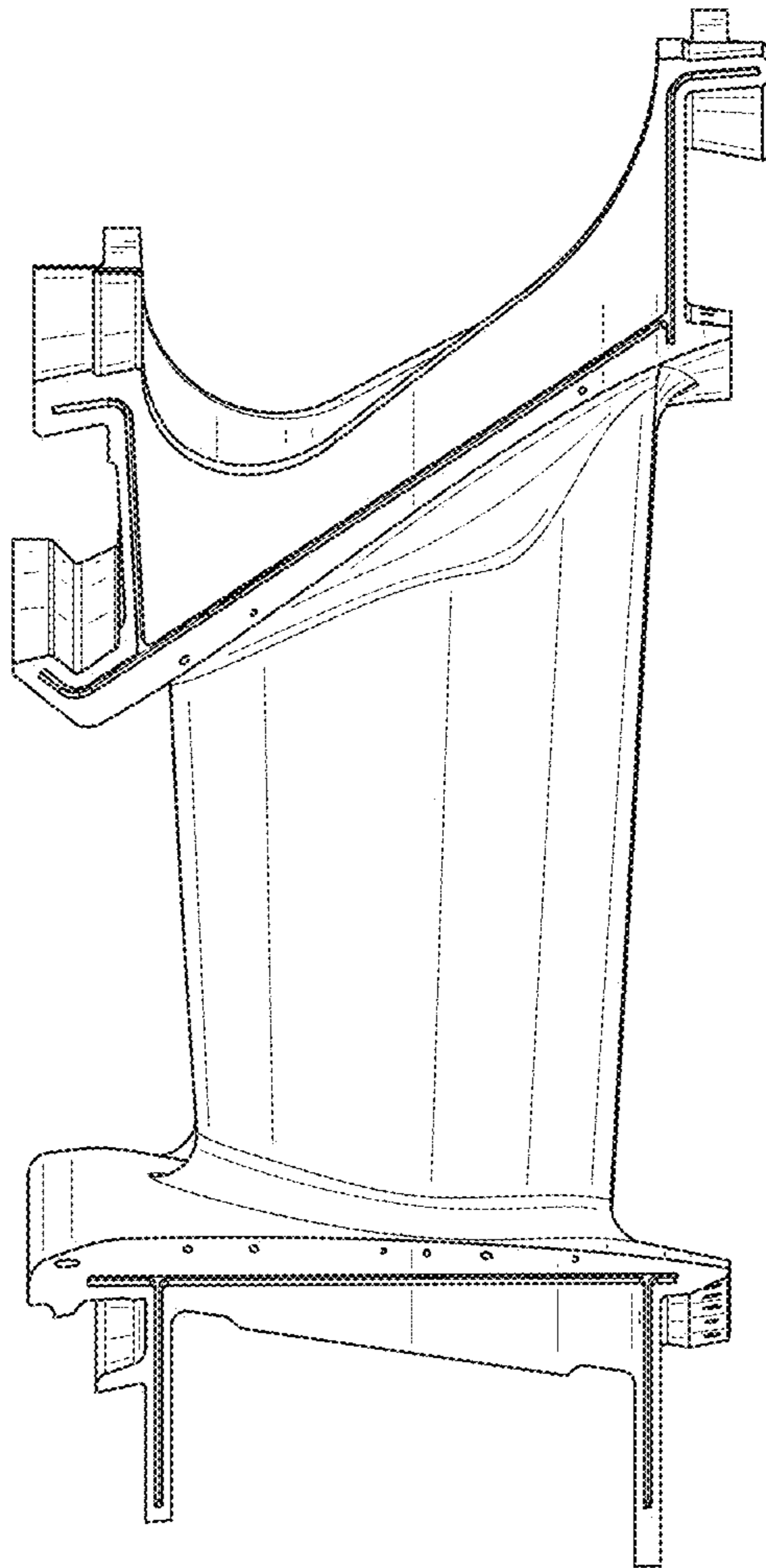


FIG. 5

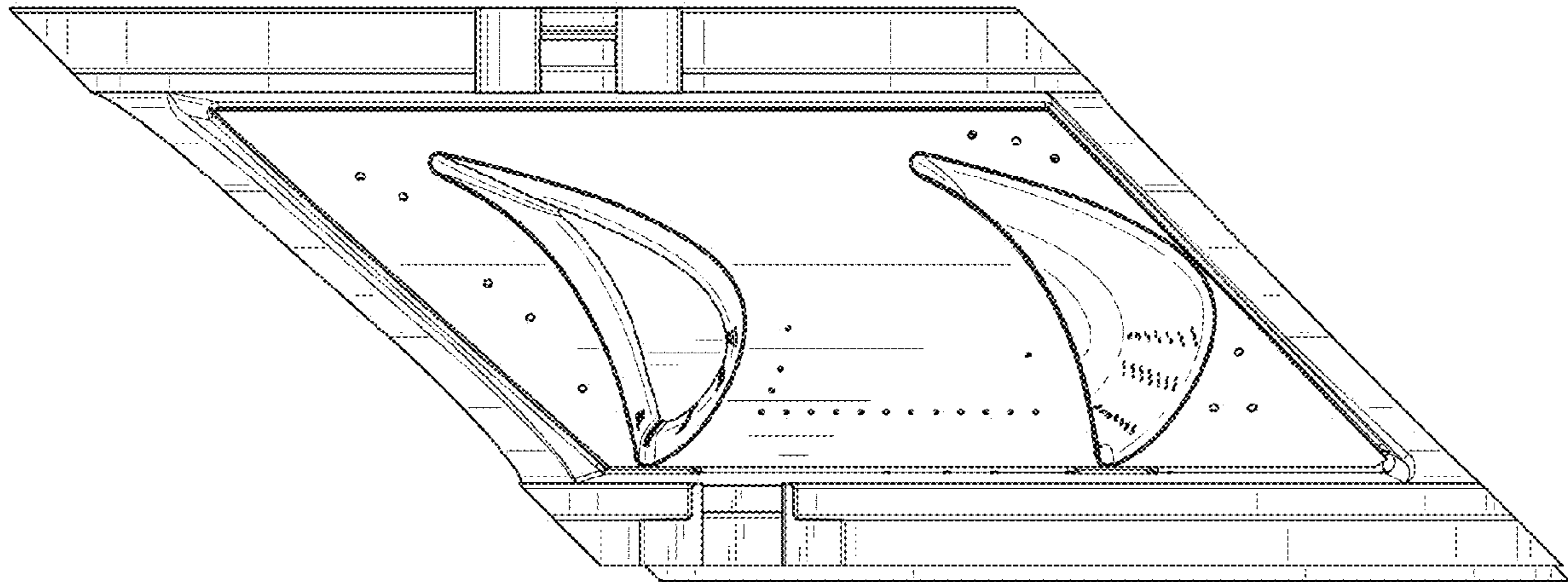


FIG. 6

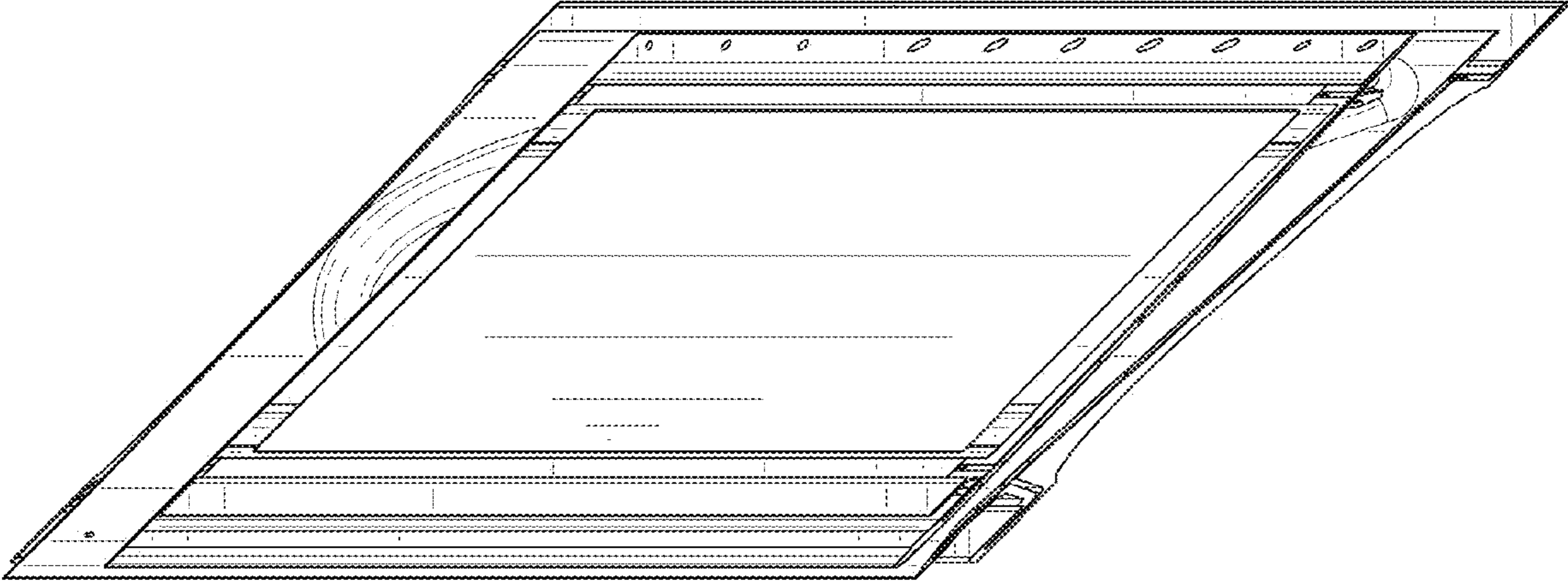


FIG. 7

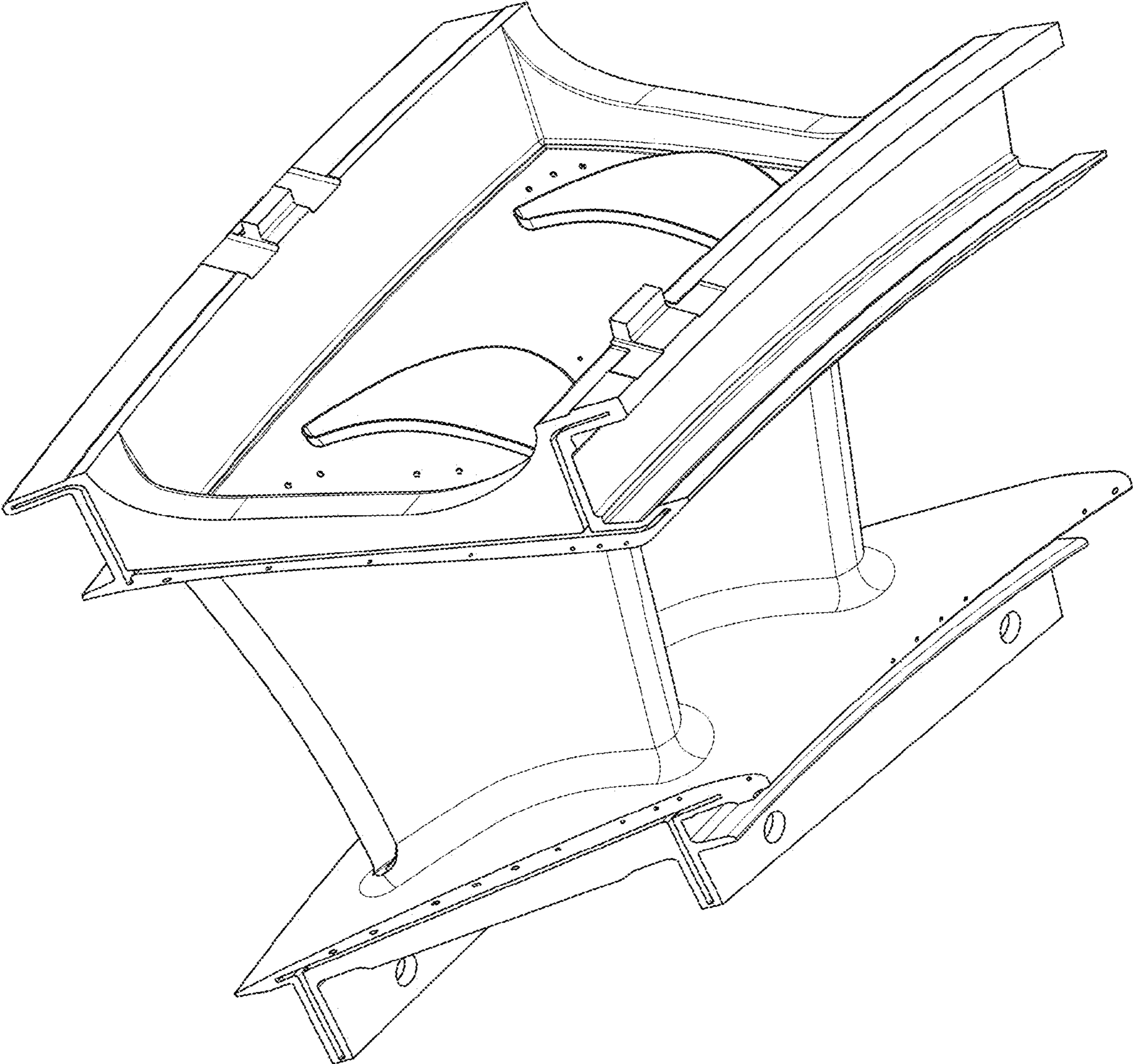


FIG. 8

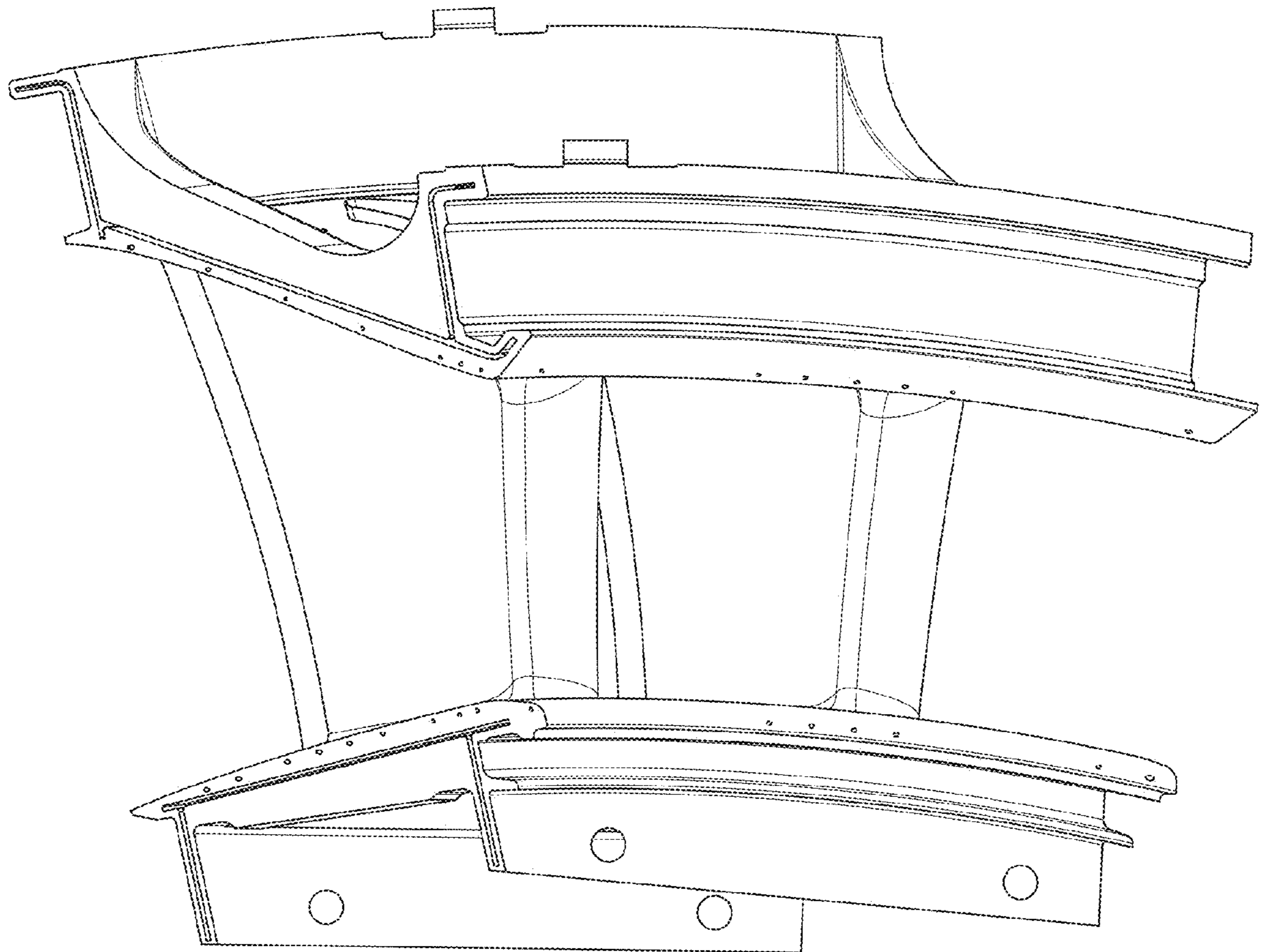


FIG. 9

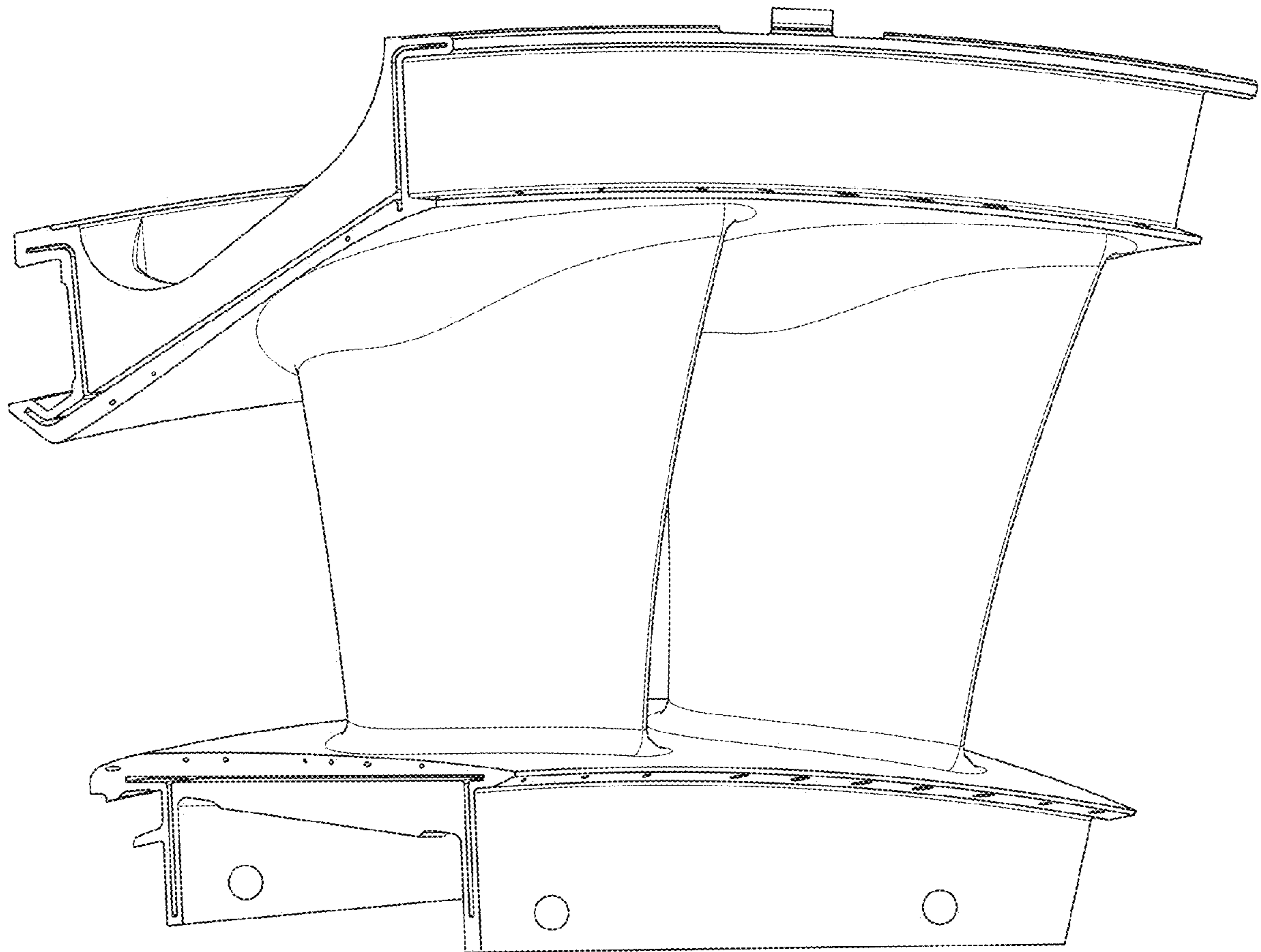


FIG. 10

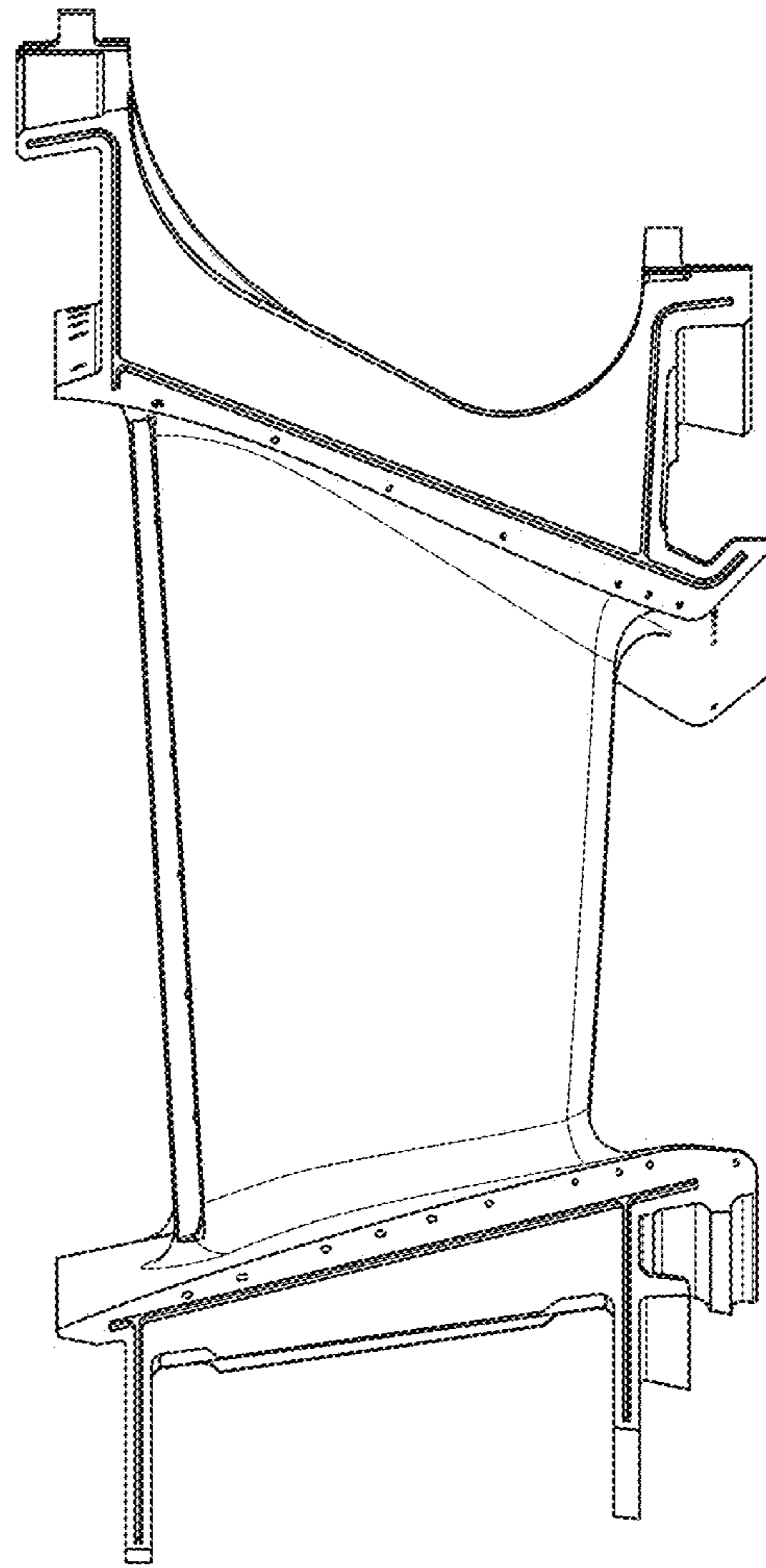


FIG. 11

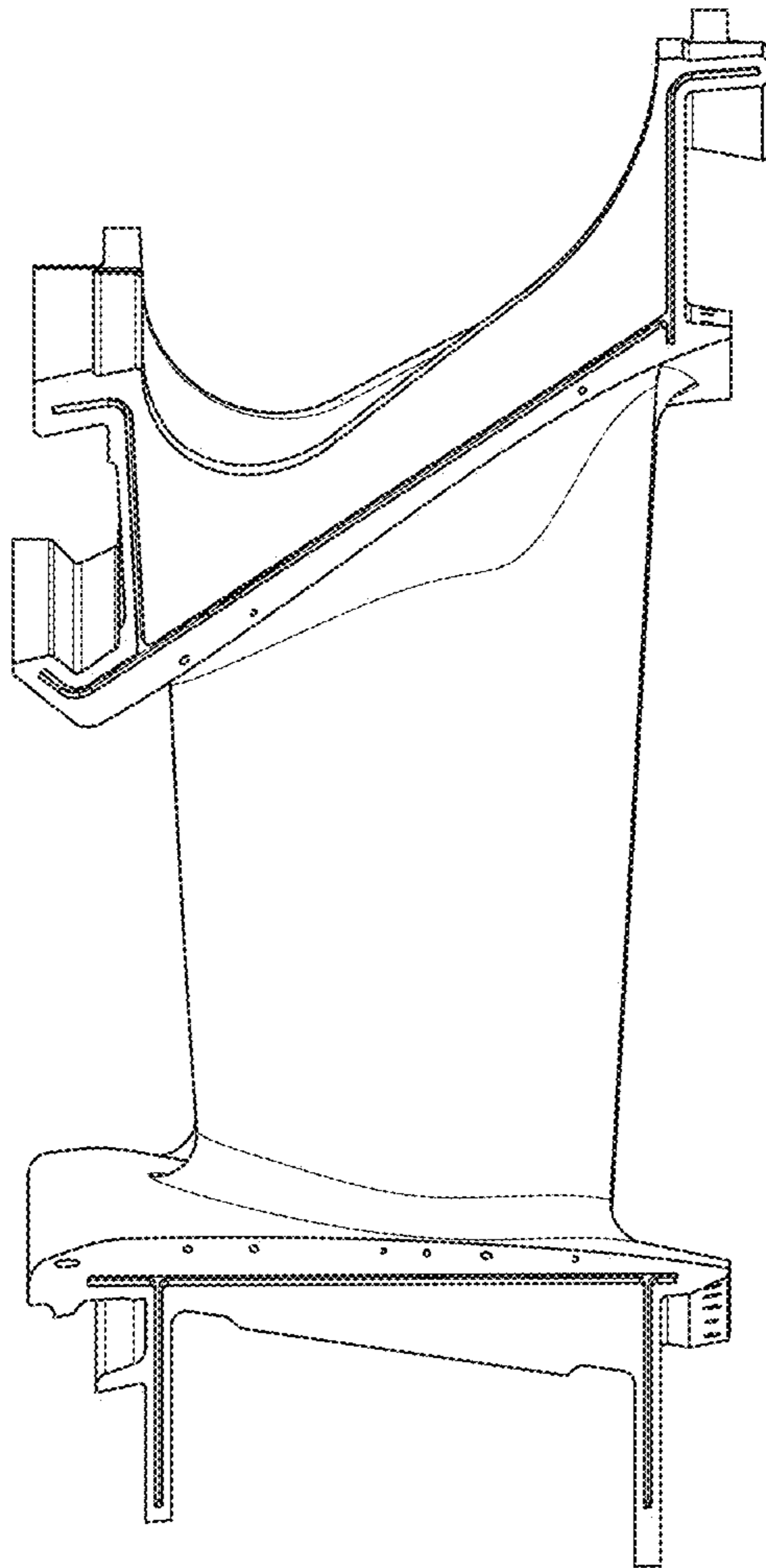


FIG. 12

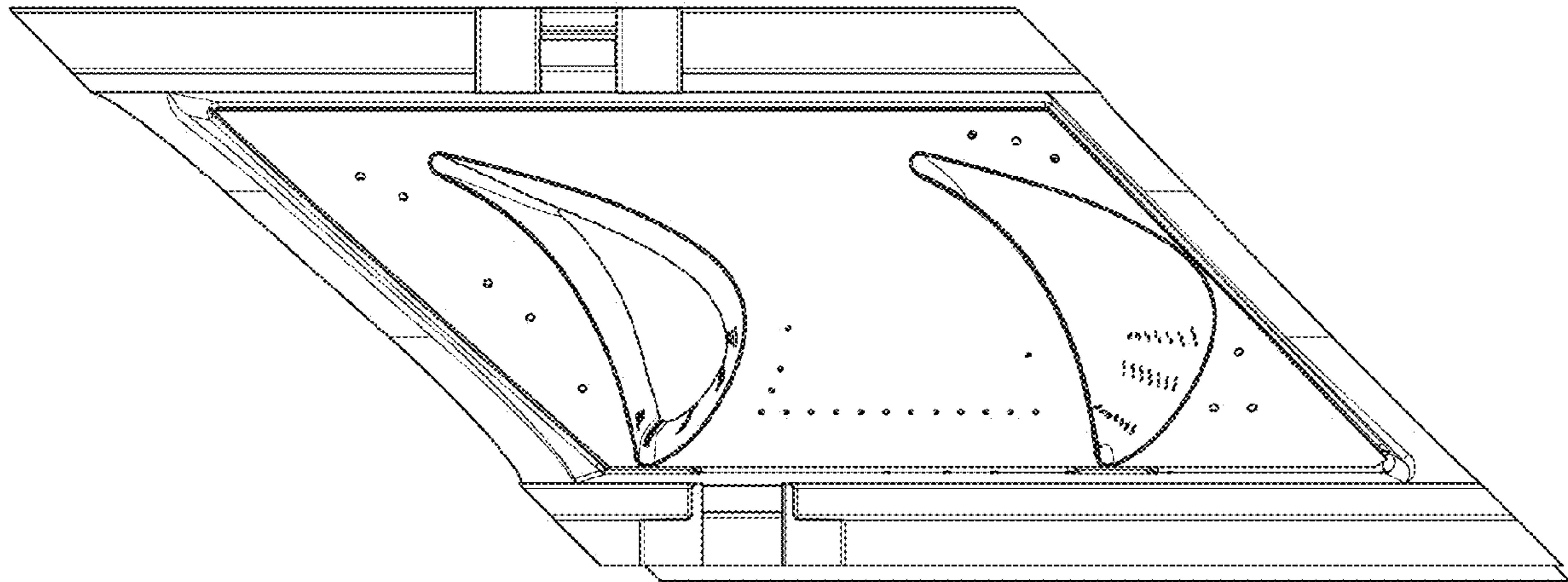


FIG. 13

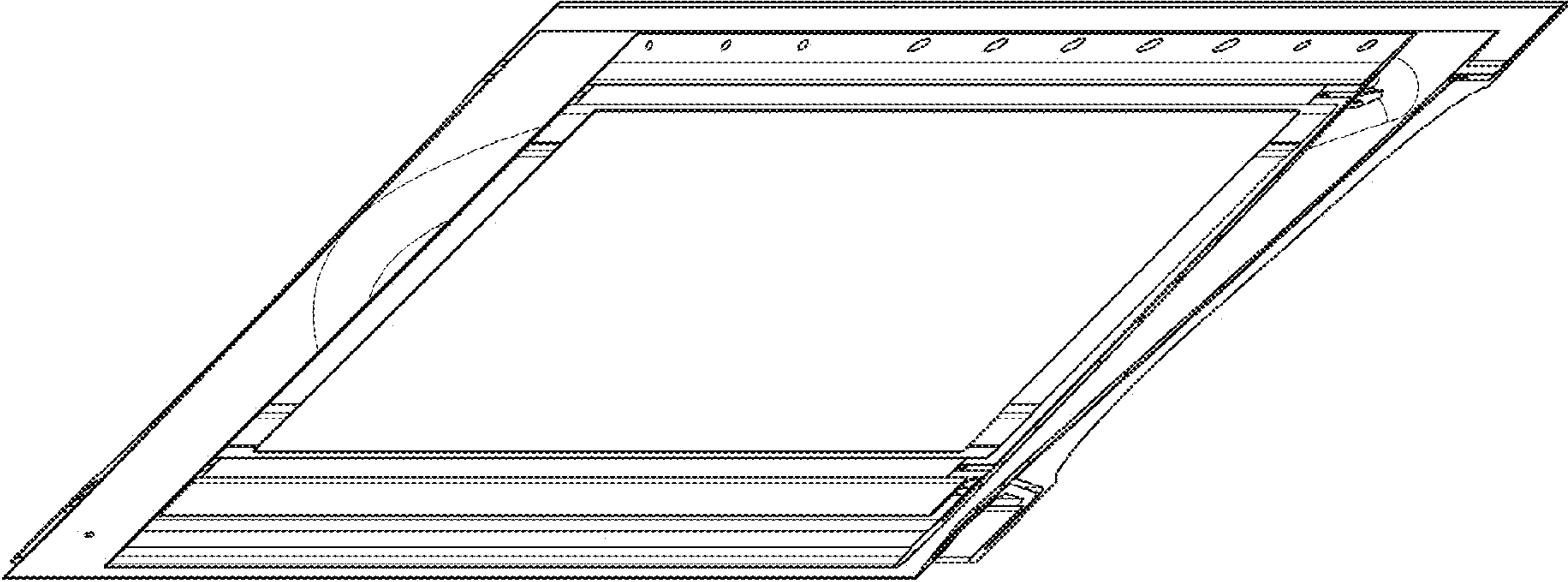


FIG. 14