

US00D947124S

(12) **United States Design Patent**  
**Cao et al.**

(10) **Patent No.:** **US D947,124 S**  
(45) **Date of Patent:** **\*\* Mar. 29, 2022**

(54) **TRANSDUCER**

(71) Applicant: **SMTP MEDICAL CO., LTD.**, Beijing (CN)

(72) Inventors: **Qun Cao**, Beijing (CN); **Songtao Zhan**, Beijing (CN); **Xiaoming Hu**, Beijing (CN); **Zhiling Dai**, Beijing (CN)

(73) Assignee: **SMTP MEDICAL CO., LTD.**, Beijing (CN)

(\*\*) Term: **15 Years**

(21) Appl. No.: **29/746,733**

(22) Filed: **Aug. 17, 2020**

(30) **Foreign Application Priority Data**

Feb. 18, 2020 (CN) ..... 202030053700.3

(51) **LOC (13) Cl.** ..... **13-02**

(52) **U.S. Cl.**  
USPC ..... **D13/110**

(58) **Field of Classification Search**  
USPC ..... D13/101, 110, 118, 133, 149, 151, 154, D13/155, 184, 199; D14/432, 433  
CPC ..... H01R 13/52; H01R 13/56; H01R 13/62; H01R 13/405; H01R 13/447; H01R 13/717; H01R 13/5202; H01R 13/5227; H01R 13/6272; H01R 13/6277; H01R 9/05; H01R 9/0521; G02B 6/36; G02B 6/38; Y10T 29/492208; H02J 7/00; H02J 7/0045; H02J 7/0052

See application file for complete search history.

(56) **References Cited**

**U.S. PATENT DOCUMENTS**

D434,009 S \* 11/2000 Lee ..... D13/133  
D453,322 S \* 2/2002 Lee ..... D13/133

D480,353 S \* 10/2003 Takahashi ..... D13/101  
D505,390 S \* 5/2005 Lee ..... D13/133  
D511,747 S \* 11/2005 Rey ..... D13/146  
D567,183 S \* 4/2008 Victor ..... D13/156  
D662,893 S \* 7/2012 Haberek ..... D13/151  
8,333,608 B2 \* 12/2012 Ko ..... H01R 13/7175  
439/490  
D741,804 S \* 10/2015 Davidson, Jr. .... D13/133  
2009/0092361 A1 \* 4/2009 Bogdan ..... G02B 6/4201  
385/92  
2011/0023299 A1 \* 2/2011 Chen ..... H01R 13/6277  
29/876  
2014/0141646 A1 \* 5/2014 Lu ..... H01R 24/38  
439/583

**FOREIGN PATENT DOCUMENTS**

JP 6502348 B2 4/2019

\* cited by examiner

*Primary Examiner* — Derrick E Holland

(74) *Attorney, Agent, or Firm* — Sterne, Kessler, Goldstein & Fox P.L.L.C.

(57) **CLAIM**

The ornamental design for a transducer, as shown and described.

**DESCRIPTION**

FIG. 1 is a bottom perspective view of a transducer showing the claimed design;

FIG. 2 is another bottom perspective view thereof;

FIG. 3 is a front view thereof;

FIG. 4 is a rear view thereof;

FIG. 5 is a left side view thereof;

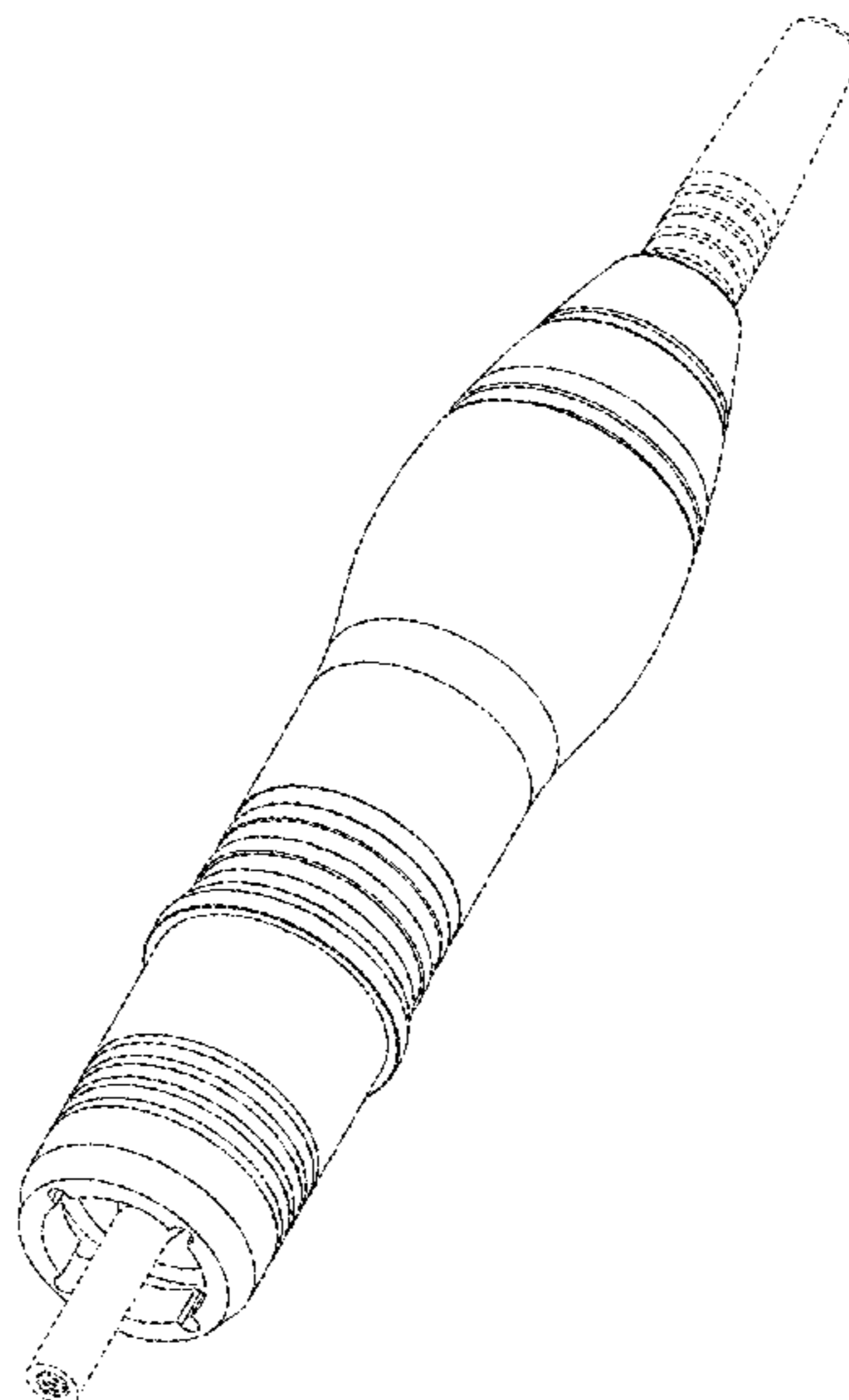
FIG. 6 is a right side view thereof;

FIG. 7 is a top view thereof; and,

FIG. 8 is a bottom view thereof.

The broken lines in the figures show portions of the transducer that form no part of the claimed design.

**1 Claim, 7 Drawing Sheets**



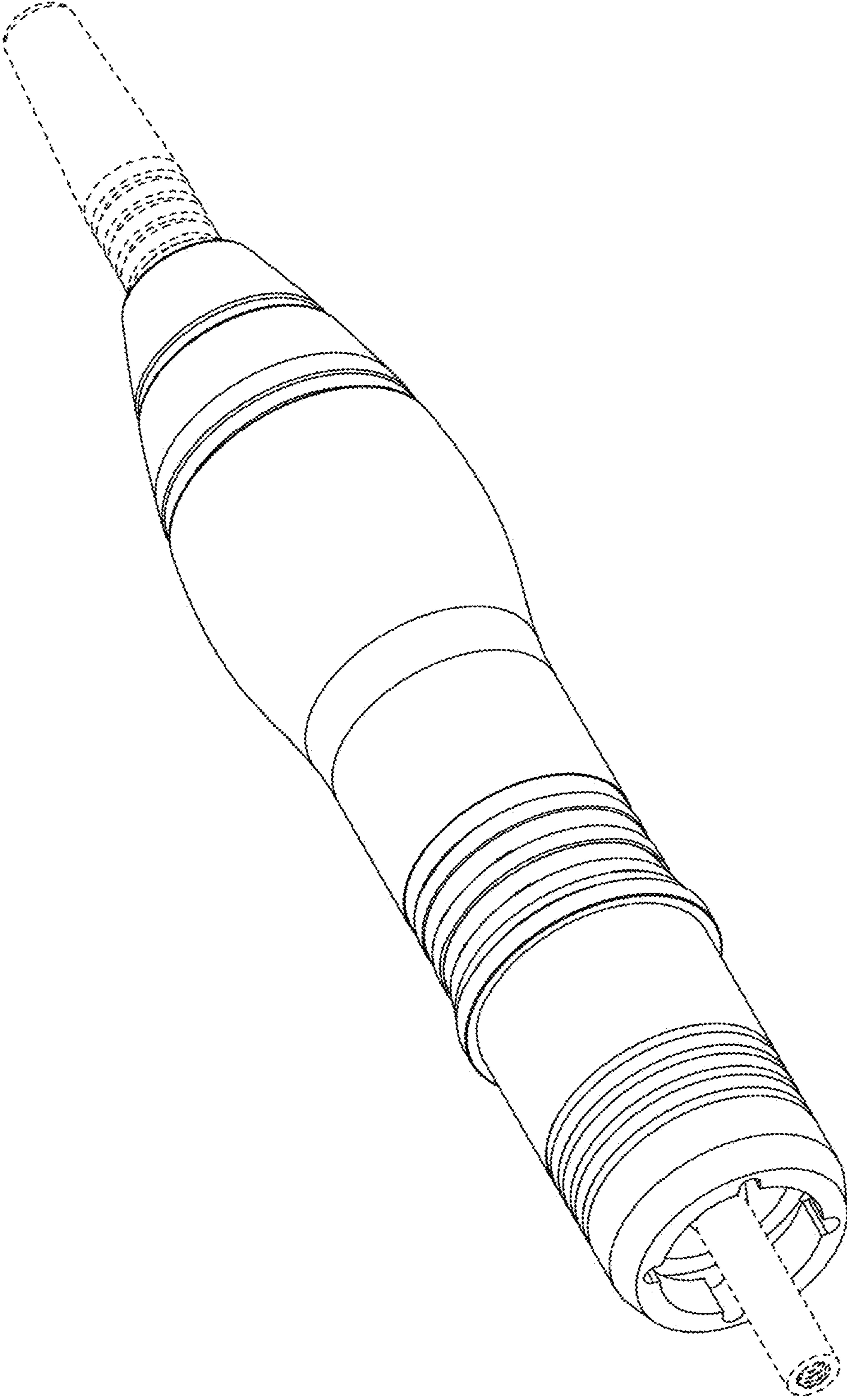


FIG. 1

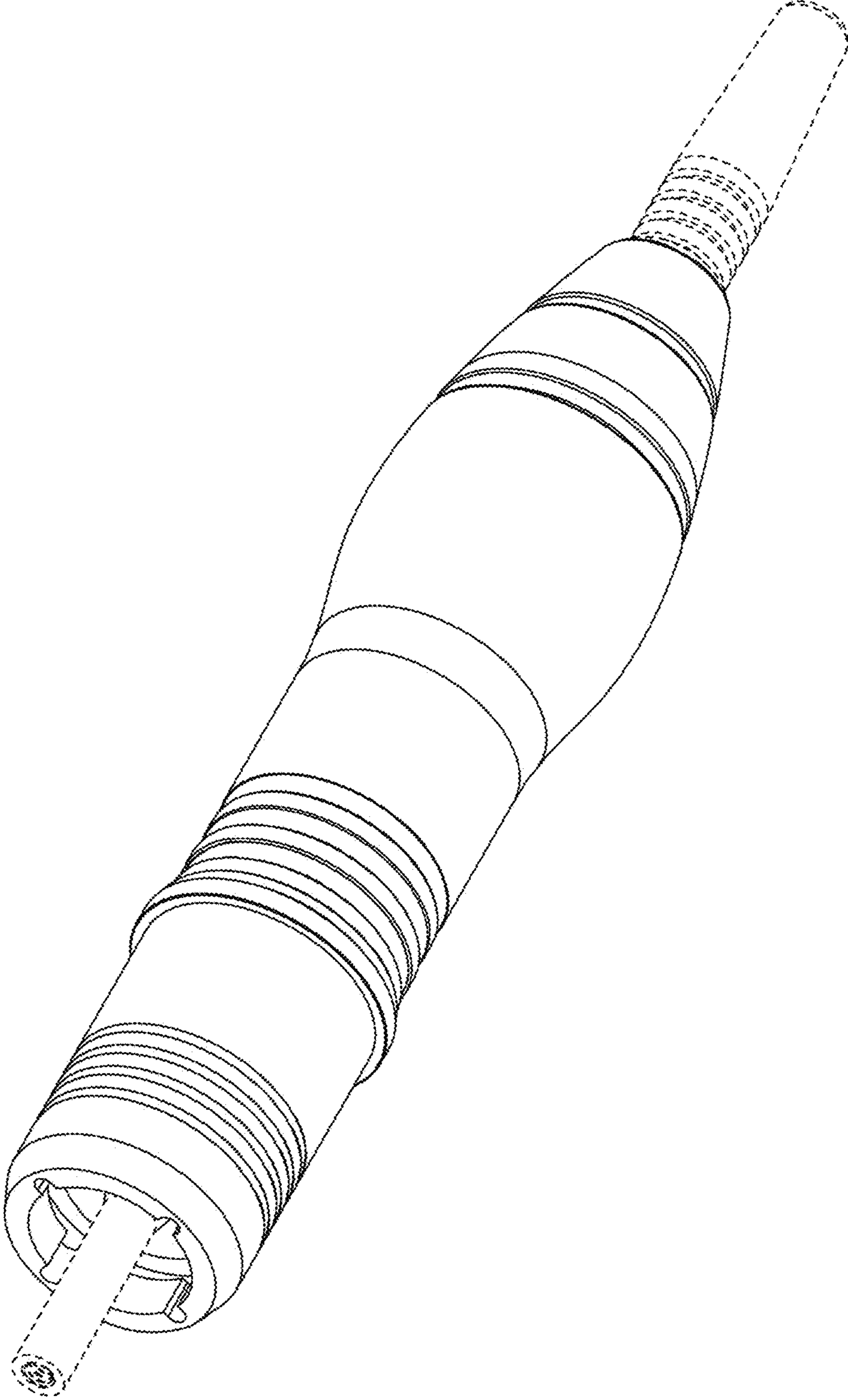


FIG. 2

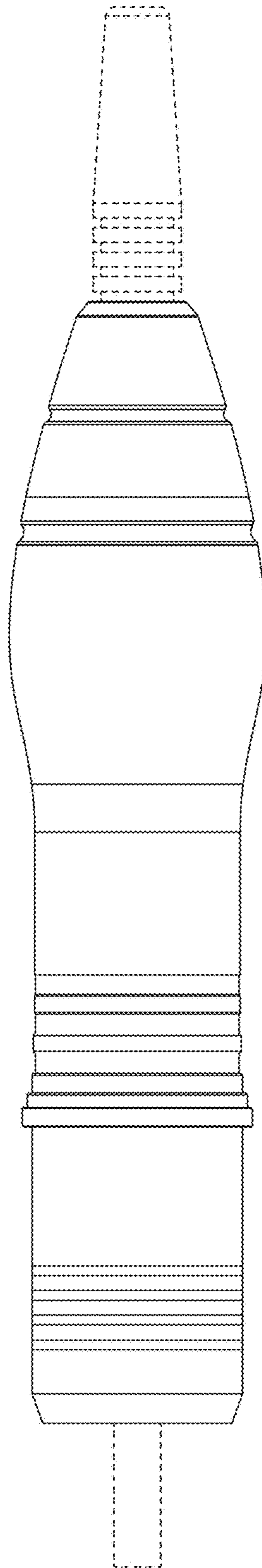


FIG. 3

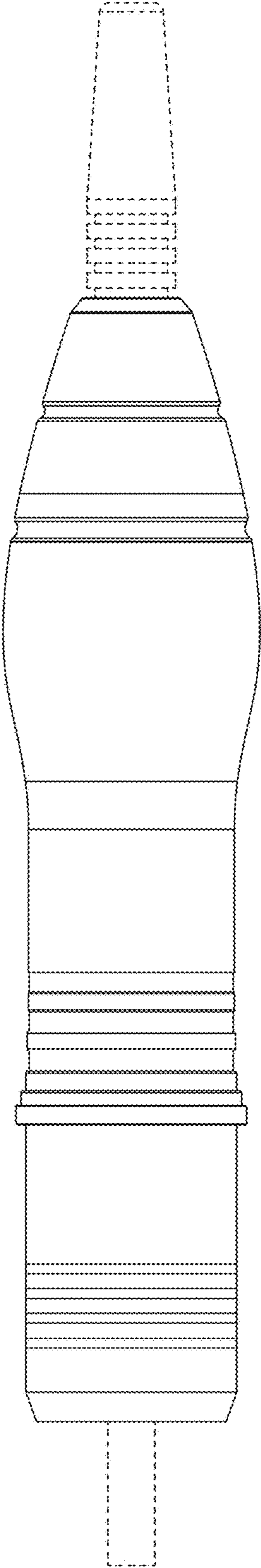


FIG. 4

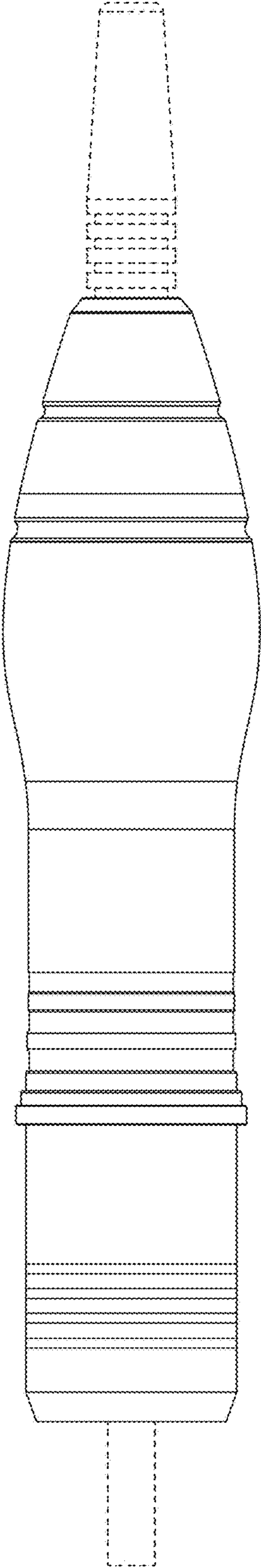


FIG. 5

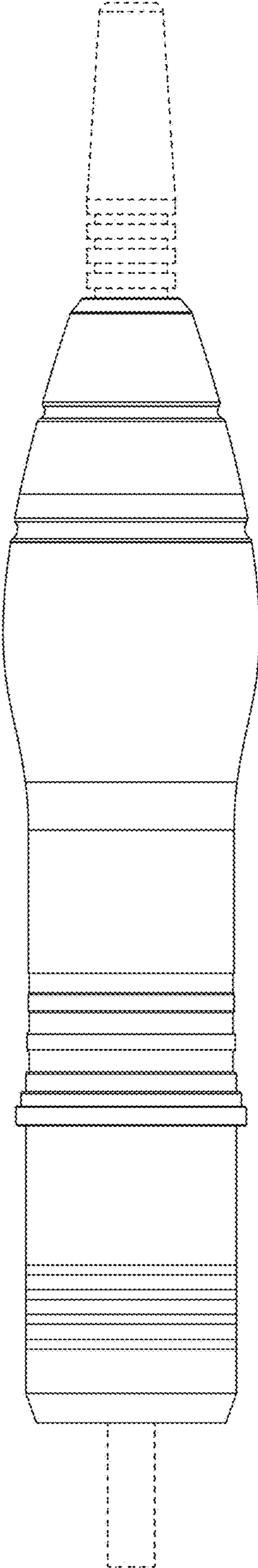


FIG. 6

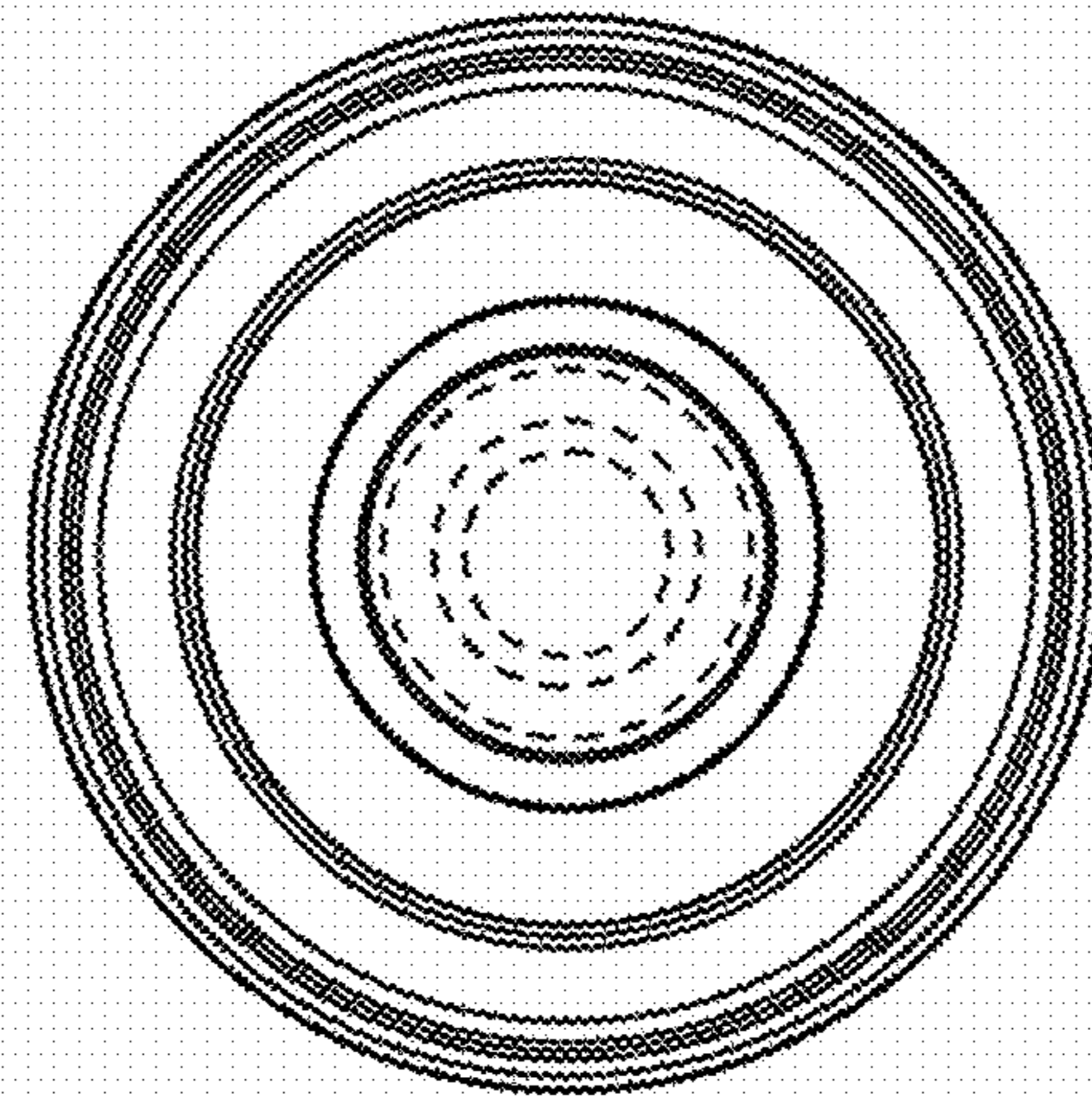


FIG. 7

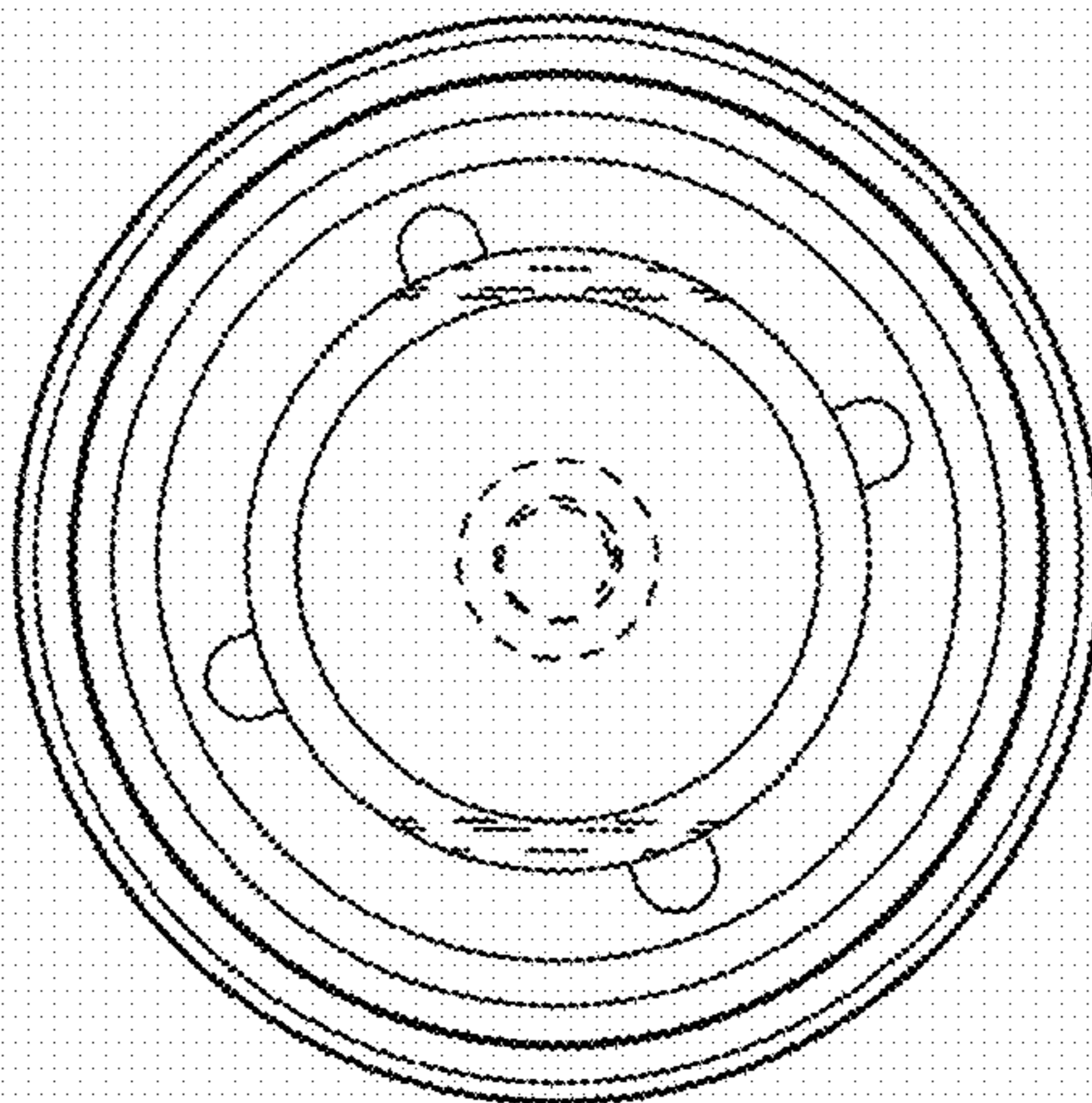


FIG. 8