



US00D947123S

(12) **United States Design Patent** (10) **Patent No.:** **US D947,123 S**  
**Dong et al.** (45) **Date of Patent:** **\*\* Mar. 29, 2022**

(54) **WIRELESS CHARGER**  
(71) Applicant: **OnePlus Technology (Shenzhen) Co., Ltd.**, Shenzhen (CN)  
(72) Inventors: **Ruiping Dong**, Shenzhen (CN); **Haoran Liu**, Shenzhen (CN); **Changkun Lin**, Shenzhen (CN); **Xinyi Jiang**, Shenzhen (CN)  
(73) Assignee: **OnePlus Technology (Shenzhen) Co., Ltd.**, Guangdong (CN)  
(\*\*) Term: **15 Years**  
(21) Appl. No.: **29/753,113**  
(22) Filed: **Sep. 30, 2020**

(30) **Foreign Application Priority Data**  
Apr. 15, 2020 (CN) ..... 202030150665.7  
(51) **LOC (13) Cl.** ..... **13-02**  
(52) **U.S. Cl.**  
USPC ..... **D13/108**  
(58) **Field of Classification Search**  
USPC ..... D13/102–110, 118, 119, 184, 199;  
D14/251, 253, 432, 434  
CPC .... H01M 10/44; H01M 10/46; H01M 10/465;  
H01M 10/482; H01M 10/4257; H01M  
10/0436; H01M 10/48; H01M 2200/30;  
H01M 2250/30; H01M 2250/40; Y02T  
10/7005; Y02T 10/705; Y02T 10/7088;  
Y02E 60/10; Y02E 60/12; Y02E 60/122;  
Y02E 60/124; Y02E 60/50; H02J 7/00;  
H02J 7/0003; H02J 7/0011; H02J 7/0013;  
H02J 7/0054; H02J 7/0055; H02J 7/0057;  
H02J 7/0034; H02J 7/1423; H02J  
2001/006

See application file for complete search history.

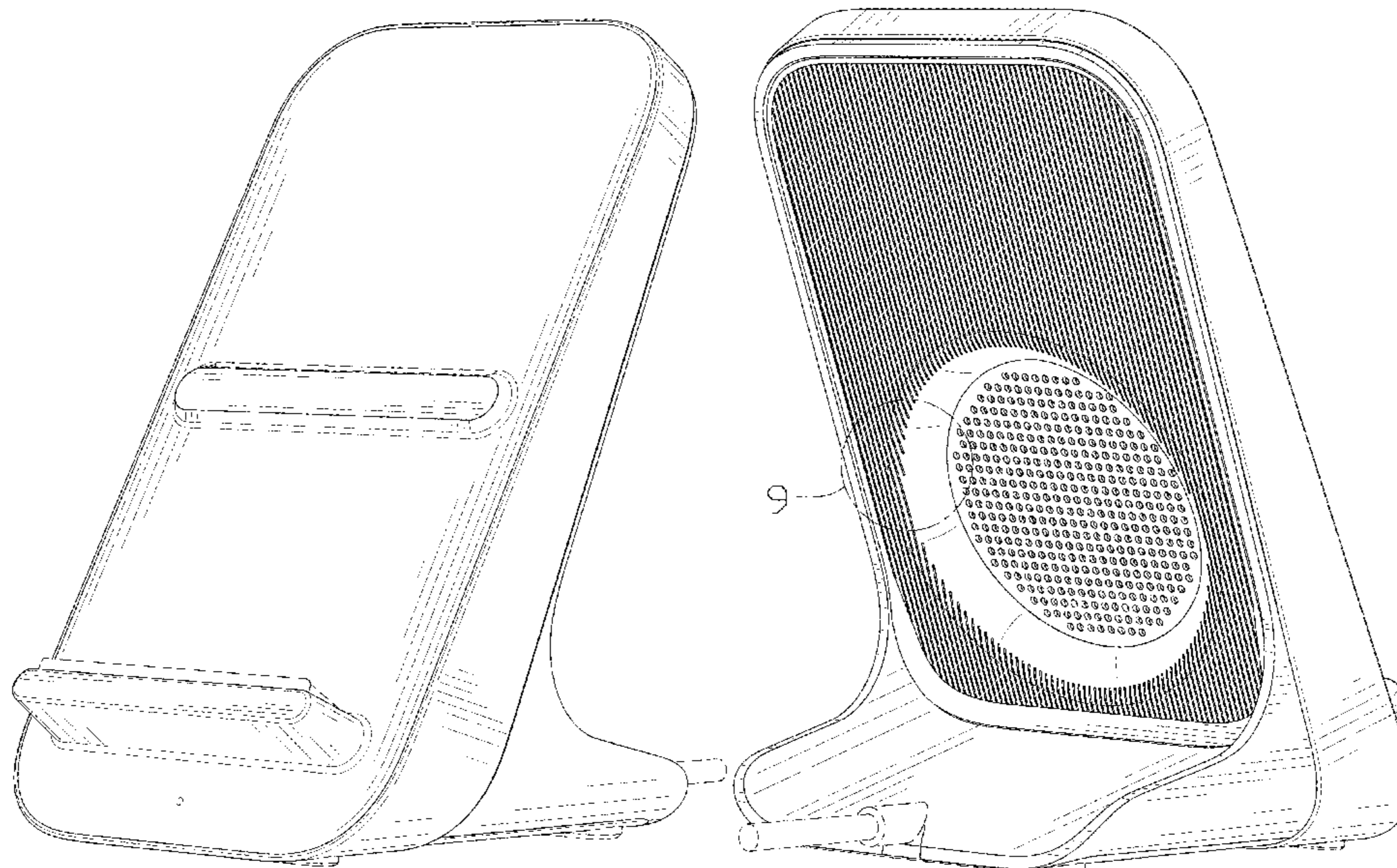
(56) **References Cited**  
U.S. PATENT DOCUMENTS  
D703,133 S \* 4/2014 Ireland ..... D13/108  
D845,896 S \* 4/2019 Hu ..... D13/108  
D859,308 S \* 9/2019 Connell ..... D13/108  
D868,691 S \* 12/2019 Sun ..... D13/108  
D871,332 S \* 12/2019 Liao ..... D13/108  
D880,418 S \* 4/2020 Zhang ..... D13/108  
D892,047 S \* 8/2020 Peng ..... D13/108  
D896,174 S \* 9/2020 Li ..... D13/108  
D907,575 S \* 1/2021 Xu ..... D13/108  
D924,131 S \* 7/2021 Kuo ..... D13/108  
D926,126 S \* 7/2021 DeMaio ..... D13/108  
D926,683 S \* 8/2021 Liao ..... D13/108  
D931,208 S \* 9/2021 Liao ..... D13/108  
D931,209 S \* 9/2021 Hahn ..... D13/108  
(Continued)

*Primary Examiner* — Christy Nemeth  
(74) *Attorney, Agent, or Firm* — JCIP Global Inc.

(57) **CLAIM**  
The ornamental design for a wireless charger, as shown and described.

**DESCRIPTION**  
FIG. 1 is a front, right perspective view of a wireless charger showing our new design;  
FIG. 2 is a rear, top, left perspective view thereof;  
FIG. 3 is a front view thereof;  
FIG. 4 is a rear view thereof;  
FIG. 5 is a left side view thereof;  
FIG. 6 is a right side view thereof;  
FIG. 7 is a top view thereof;  
FIG. 8 is a bottom view thereof; and,  
FIG. 9 is an enlarged view of portion 9 in FIG. 2.  
The dash-dash broken lines in the drawings illustrate portions of the article that form no part of the claimed design. The dot-dash circle illustrates a boundary of the portion shown enlarged in FIG. 9, and forms no part of the claimed design.

**1 Claim, 9 Drawing Sheets**



(56)

**References Cited**

U.S. PATENT DOCUMENTS

D932,425 S \* 10/2021 Zhu ..... D13/107  
D933,005 S \* 10/2021 Yarbough ..... D13/108  
D935,397 S \* 11/2021 Brisebras ..... D13/108

\* cited by examiner

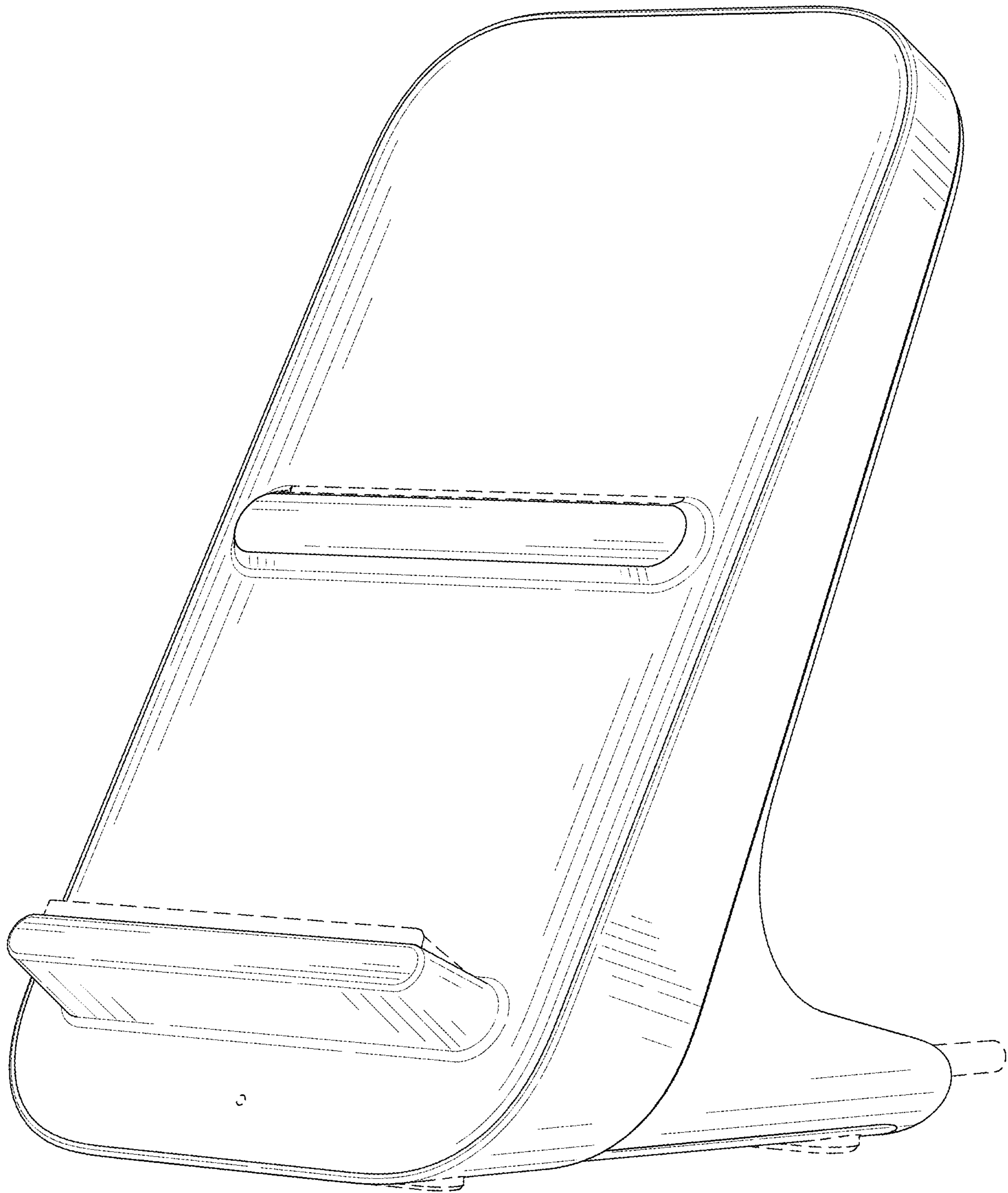


FIG. 1

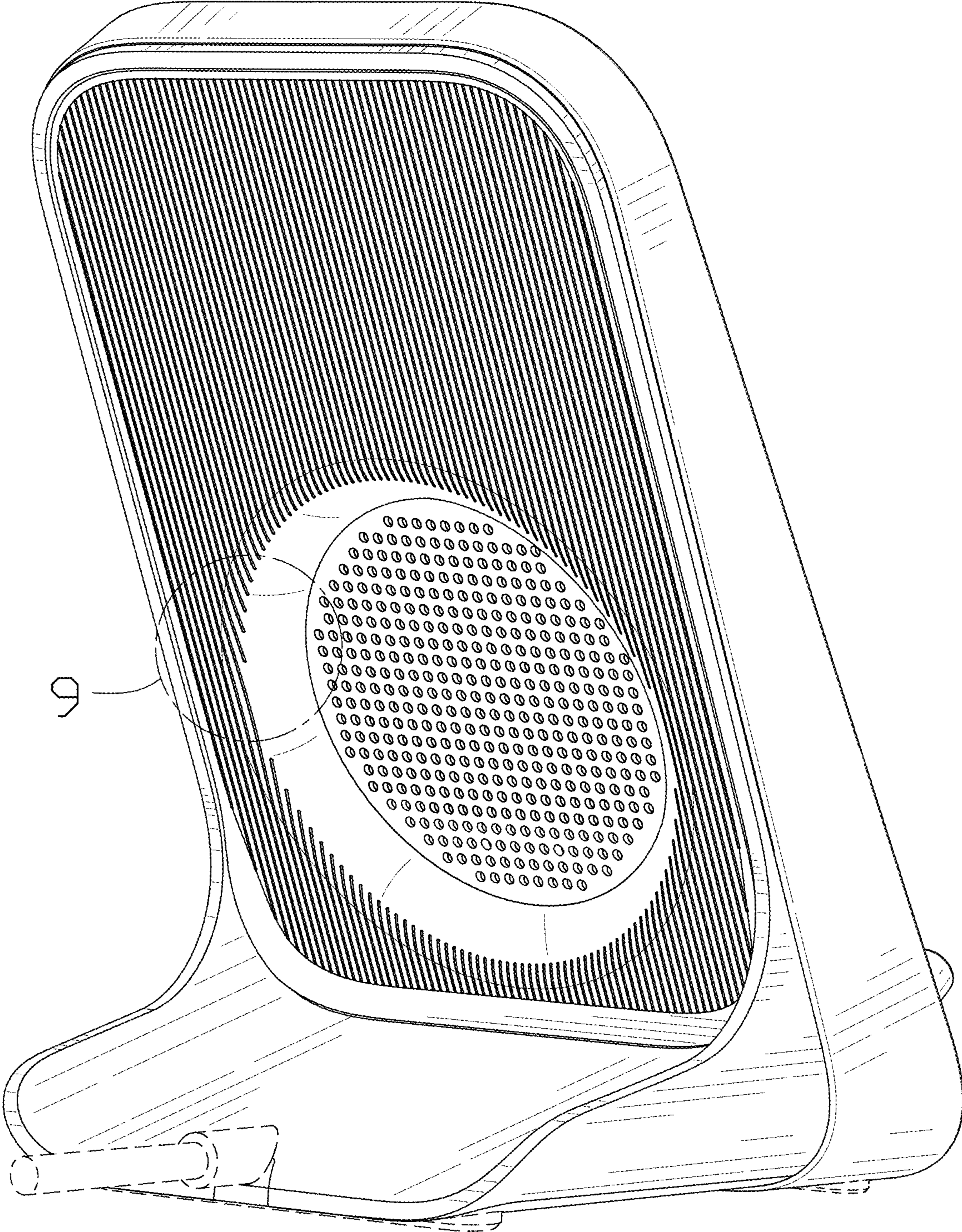


FIG. 2

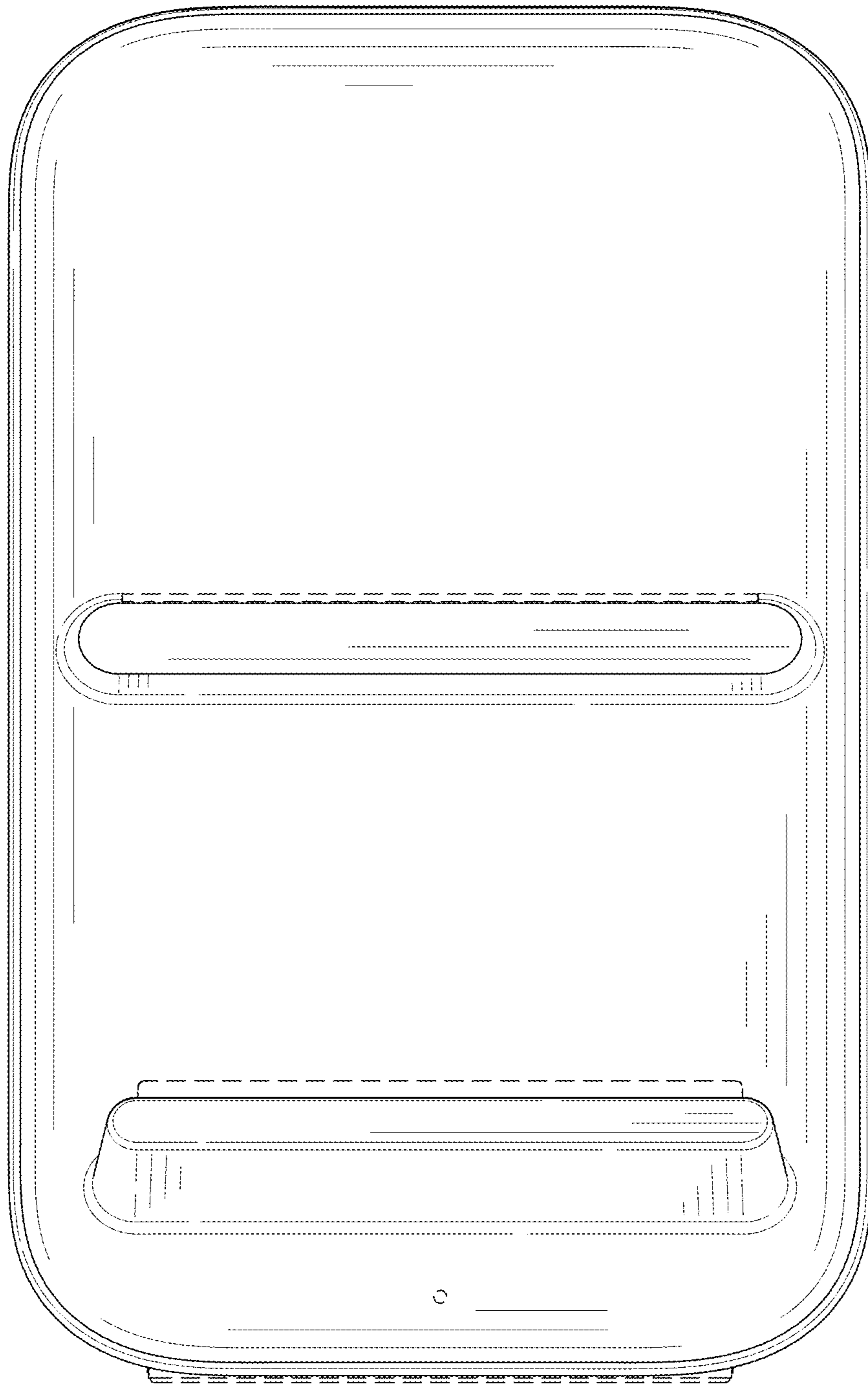


FIG. 3

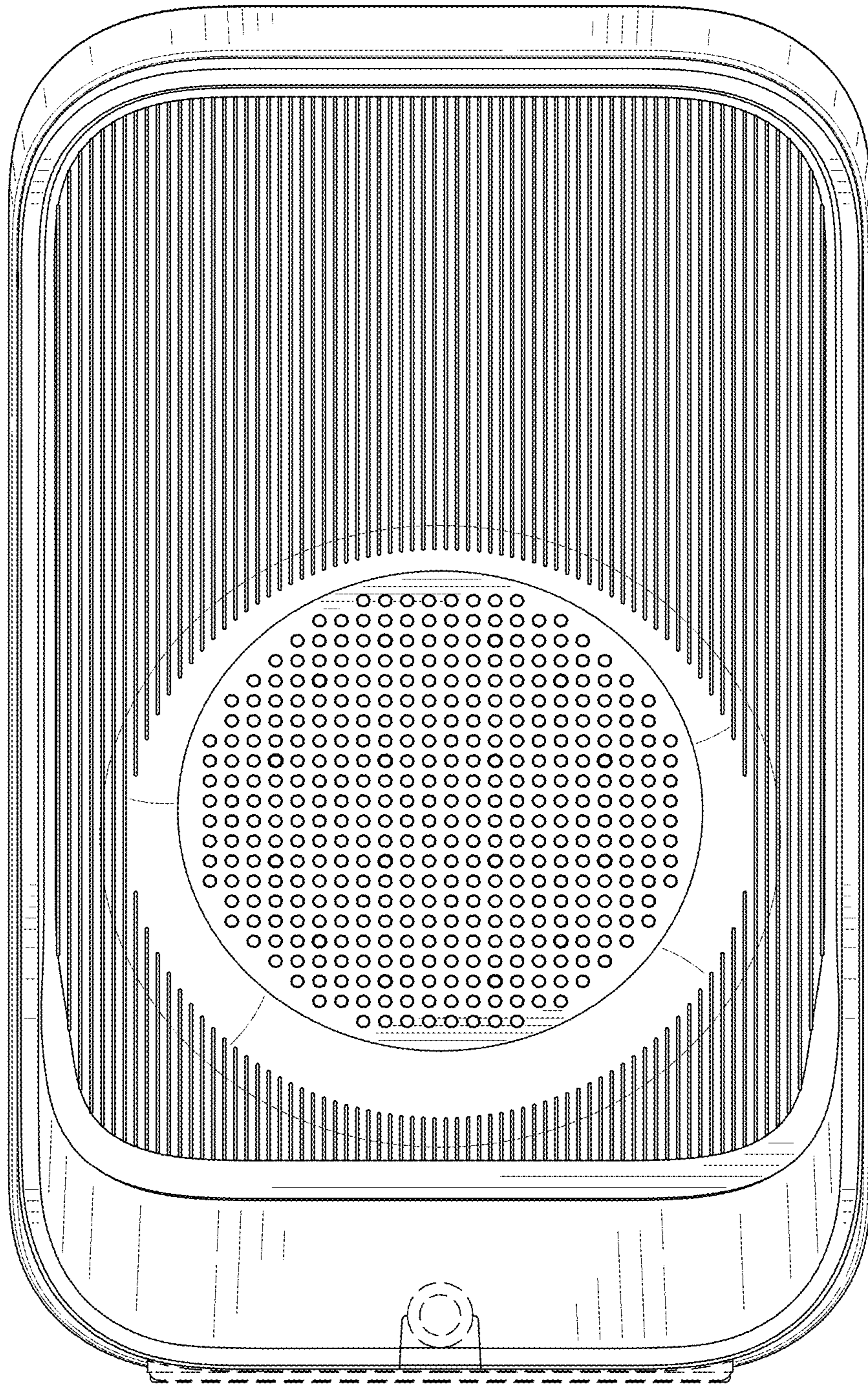


FIG. 4

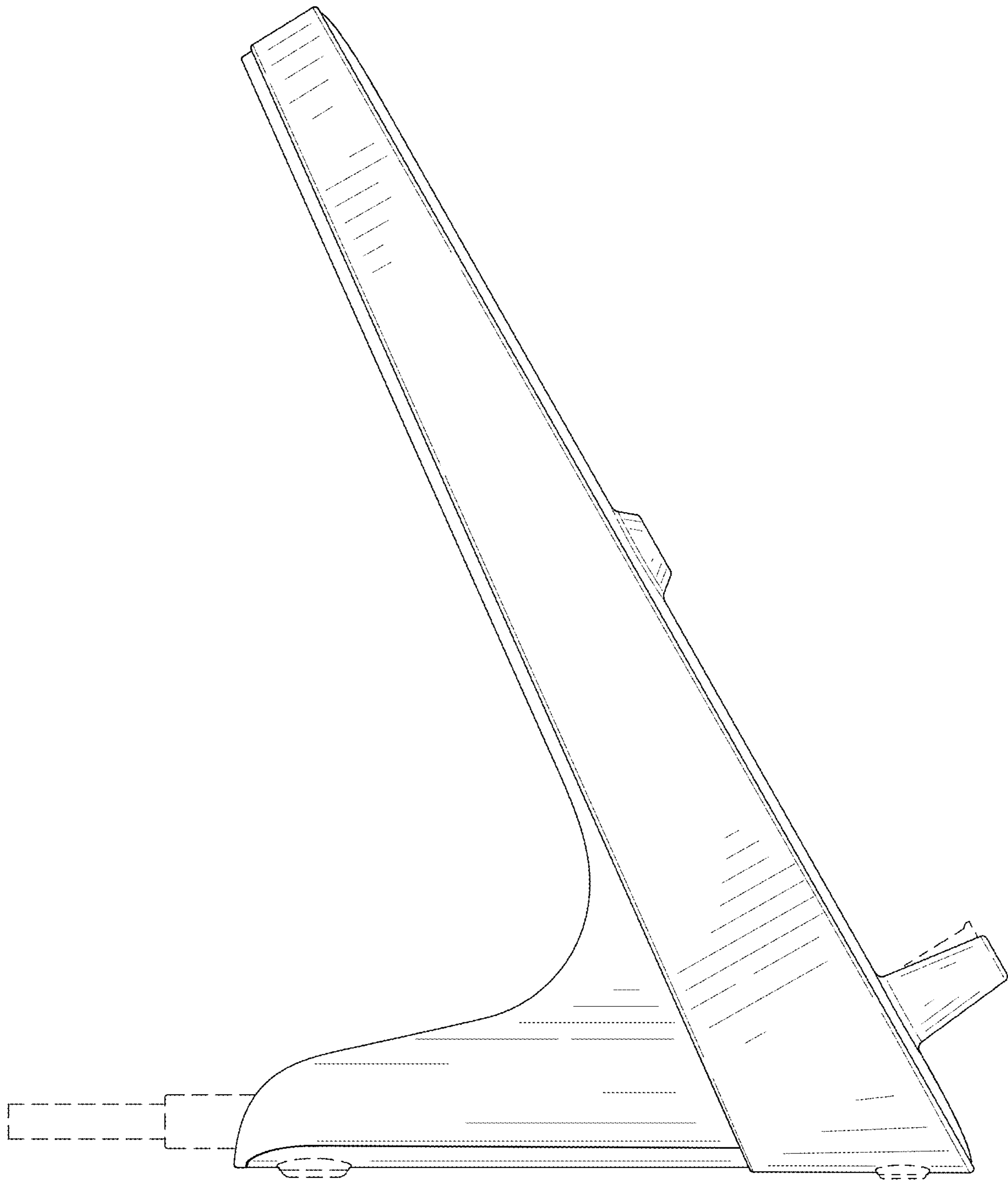


FIG. 5

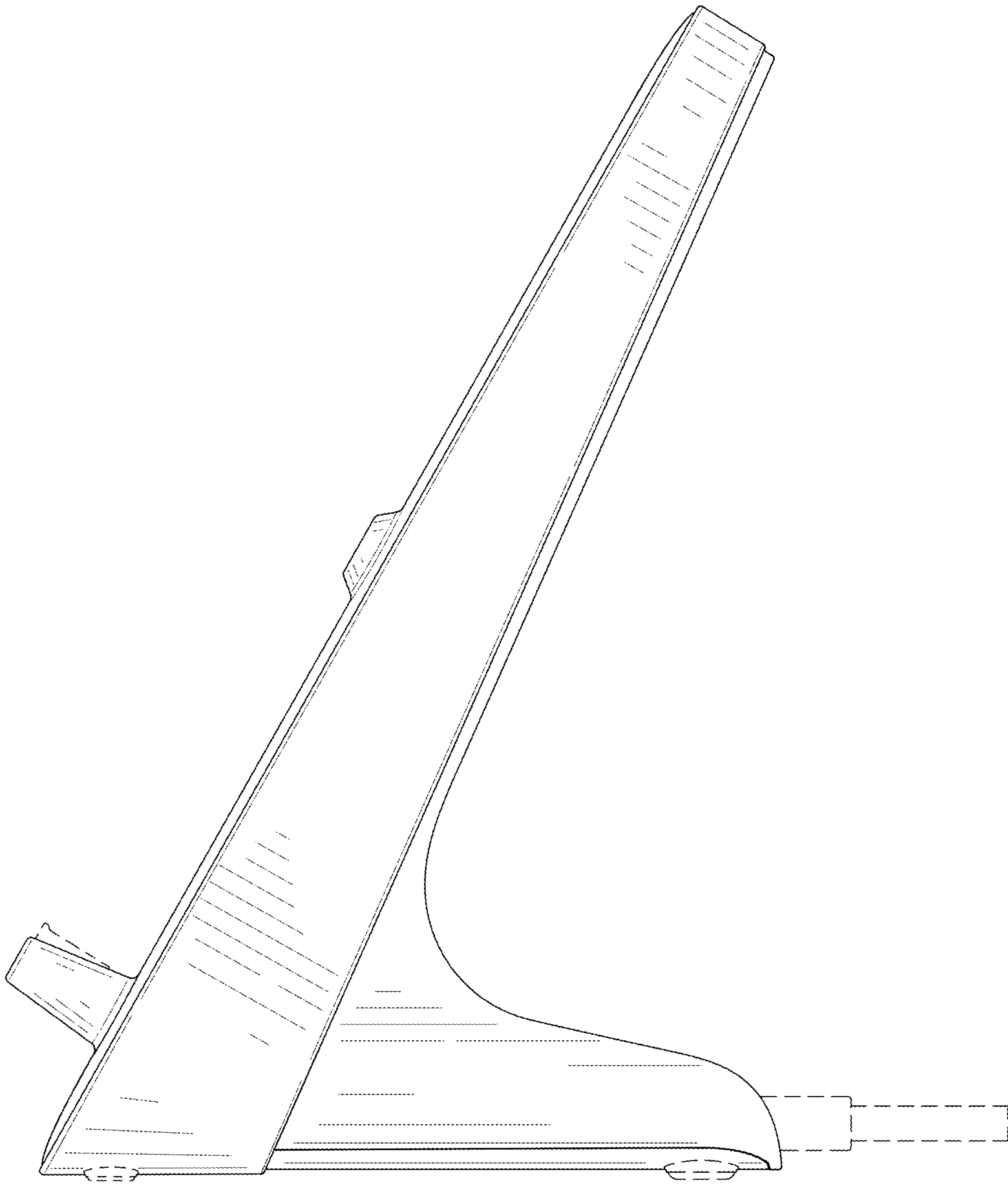


FIG. 6



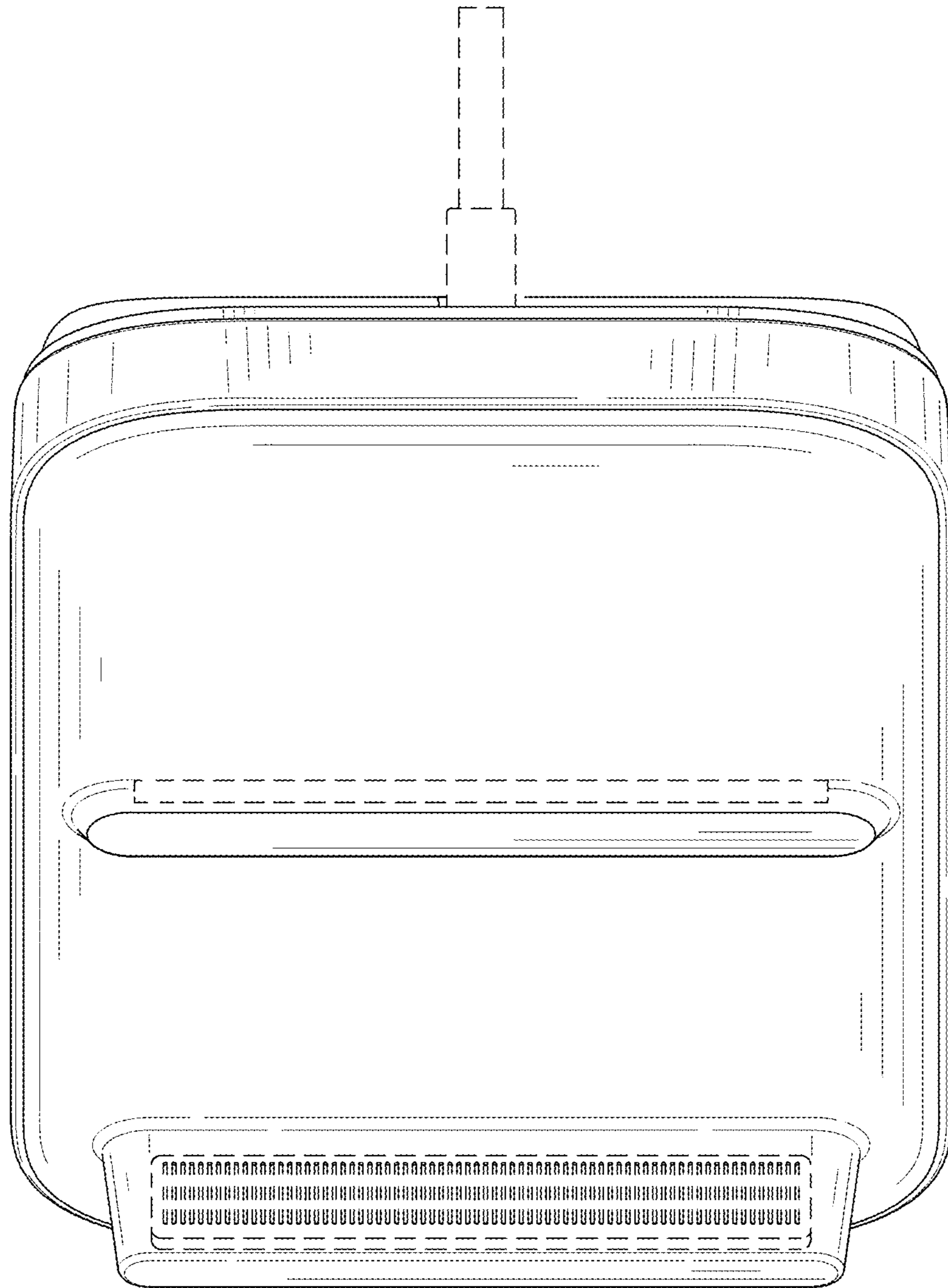


FIG. 7

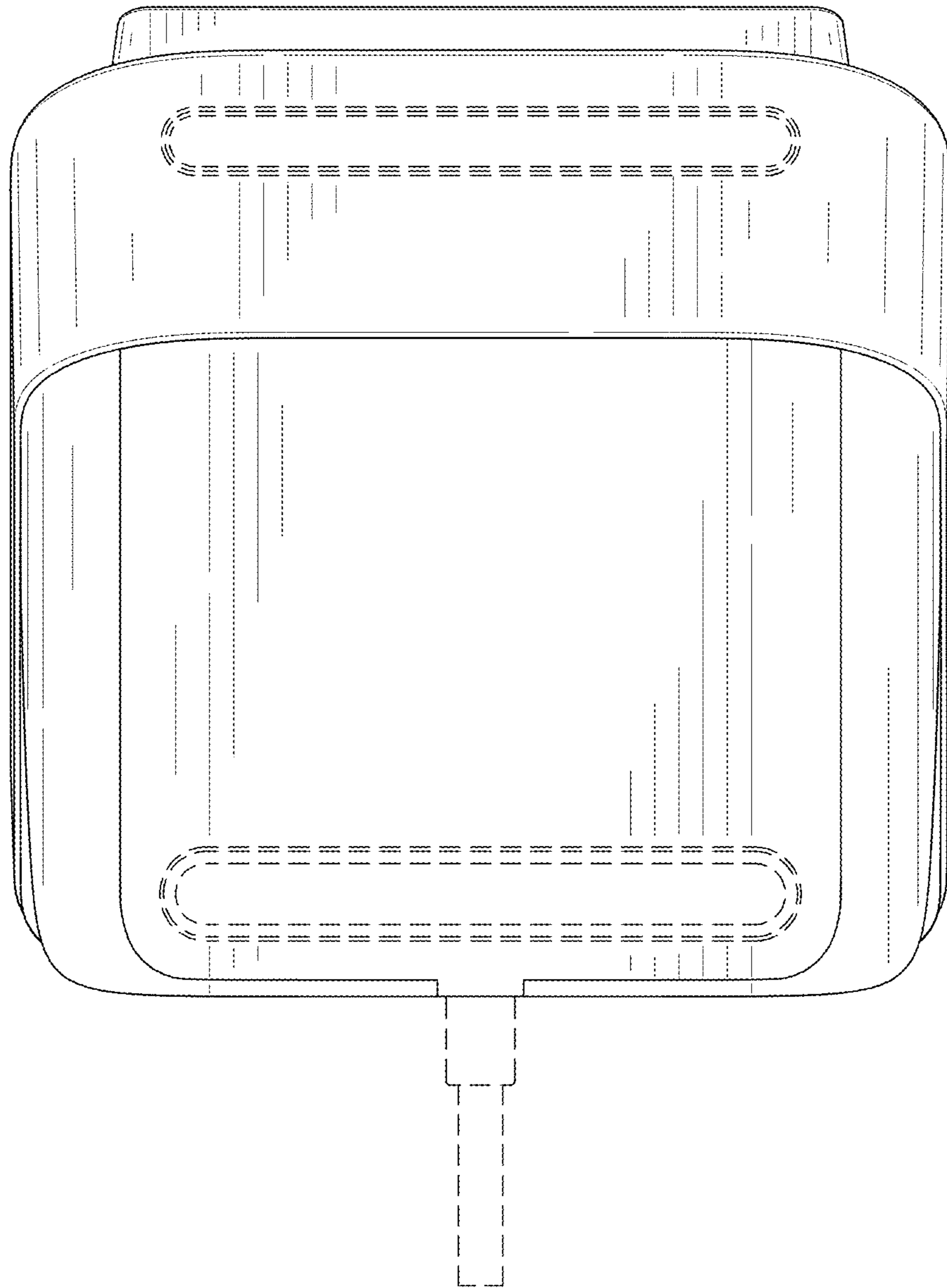


FIG. 8

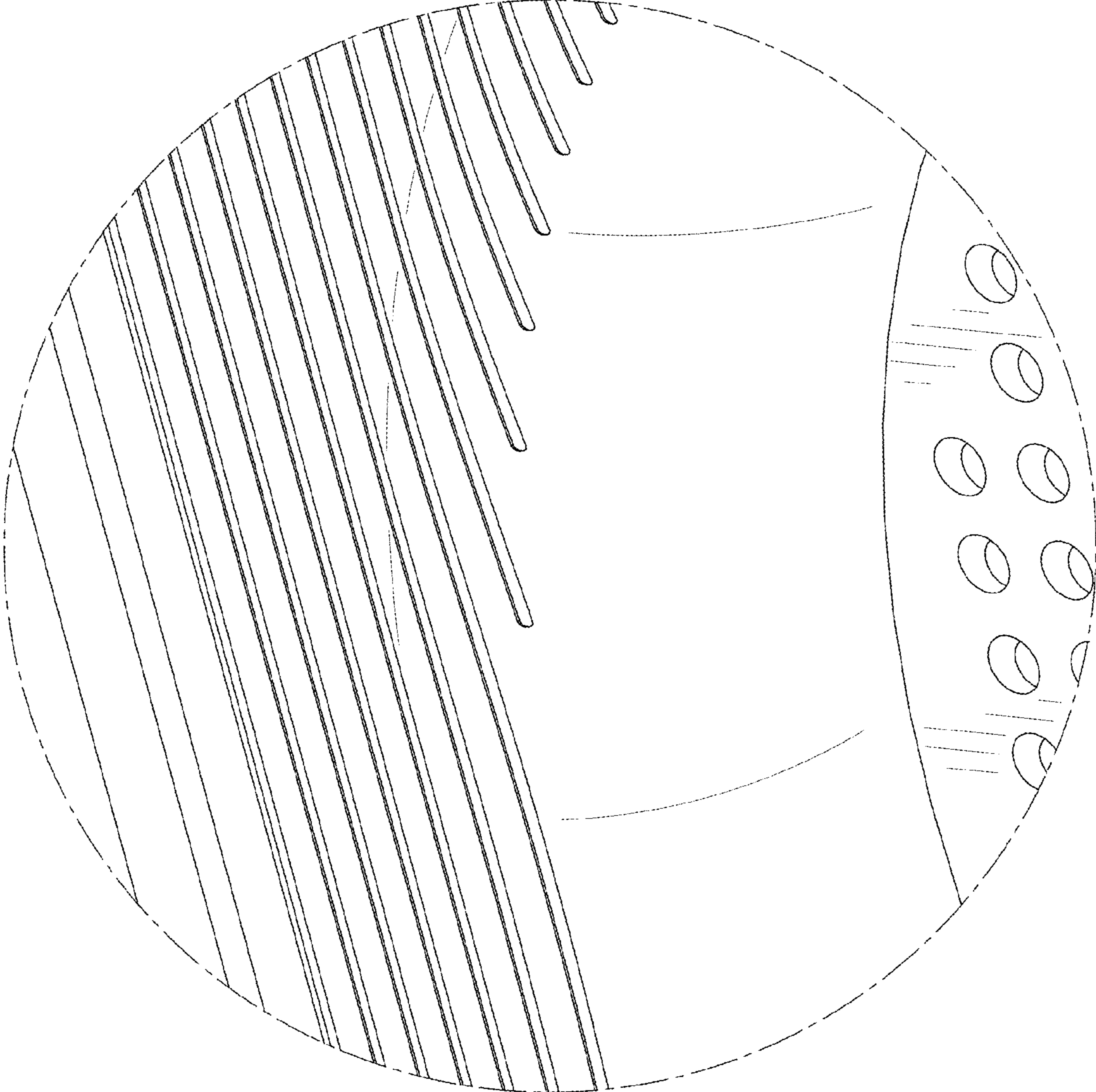


FIG. 9