



US00D947121S

(12) **United States Design Patent**  
**Natsume et al.**

(10) **Patent No.:** **US D947,121 S**  
(45) **Date of Patent:** **\*\* Mar. 29, 2022**

(54) **CHARGING STAND**

(71) Applicant: **Magic Leap, Inc.**, Plantation, FL (US)

(72) Inventors: **Shigeru Natsume**, Weston, FL (US);  
**Sebastian Gonzalo Arrieta Gunther**,  
Fort Lauderdale, FL (US); **Spencer**  
**Byron Martin**, Miami, FL (US)

(73) Assignee: **Magic Leap, Inc.**, Plantation, FL (US)

(\*\*) Term: **15 Years**

(21) Appl. No.: **29/726,643**

(22) Filed: **Mar. 4, 2020**

(51) **LOC (13) Cl.** ..... **13-02**

(52) **U.S. Cl.**  
USPC ..... **D13/108**

(58) **Field of Classification Search**  
USPC ..... D13/103, 107, 108, 110, 118, 119, 122,  
D13/184, 199

CPC ..... Y02E 60/12; Y02E 60/122; Y02E 60/124;  
Y02E 60/50; H02J 7/025; H02J 7/0042;  
H02J 7/0044; H02J 7/0045; H02J 7/0003;  
H01R 13/6675; H01M 2/1022; H01M  
2/1055; H01M 10/44; H01M 10/46;  
H01M 10/425; B60L 11/182

See application file for complete search history.

(56) **References Cited**

U.S. PATENT DOCUMENTS

D610,982 S \* 3/2010 Shum ..... D13/107  
D644,926 S \* 9/2011 Davis ..... D9/448  
D765,598 S \* 9/2016 Dai ..... D13/119  
D789,883 S \* 6/2017 Luke ..... D13/107

D865,663 S \* 11/2019 Yao ..... D13/108  
D877,069 S \* 3/2020 Kern ..... D13/108  
D895,545 S \* 9/2020 Singer ..... D13/108  
D896,227 S \* 9/2020 Sjogren ..... D14/434  
D912,618 S \* 3/2021 DiPiazza ..... D13/107

\* cited by examiner

*Primary Examiner* — Christy Nemeth

(74) *Attorney, Agent, or Firm* — Fish & Richardson P.C.

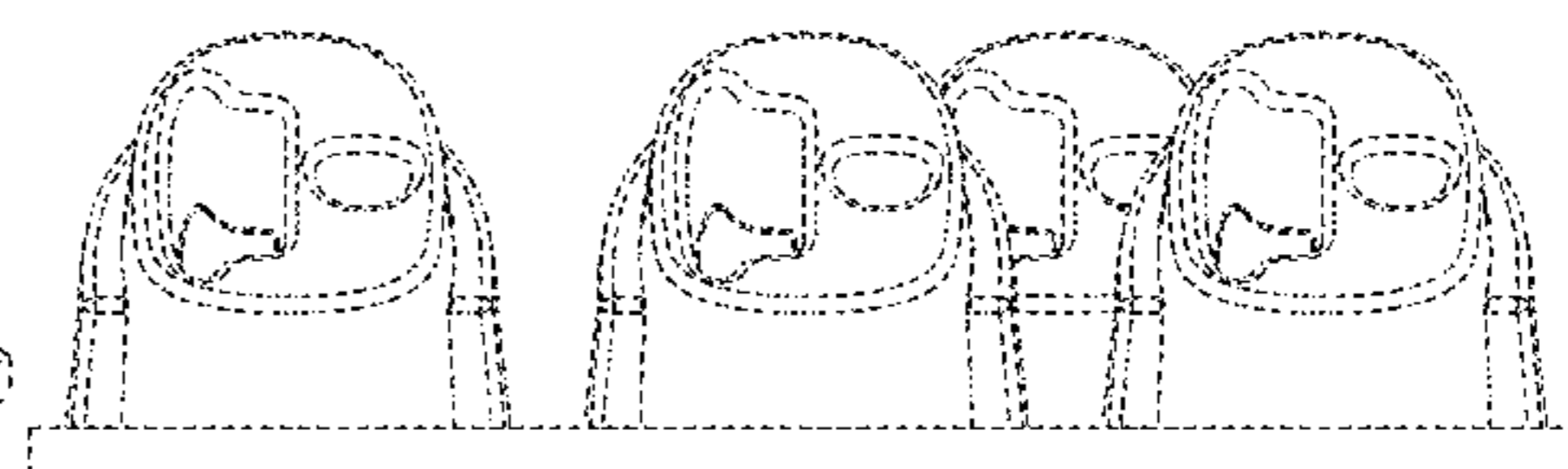
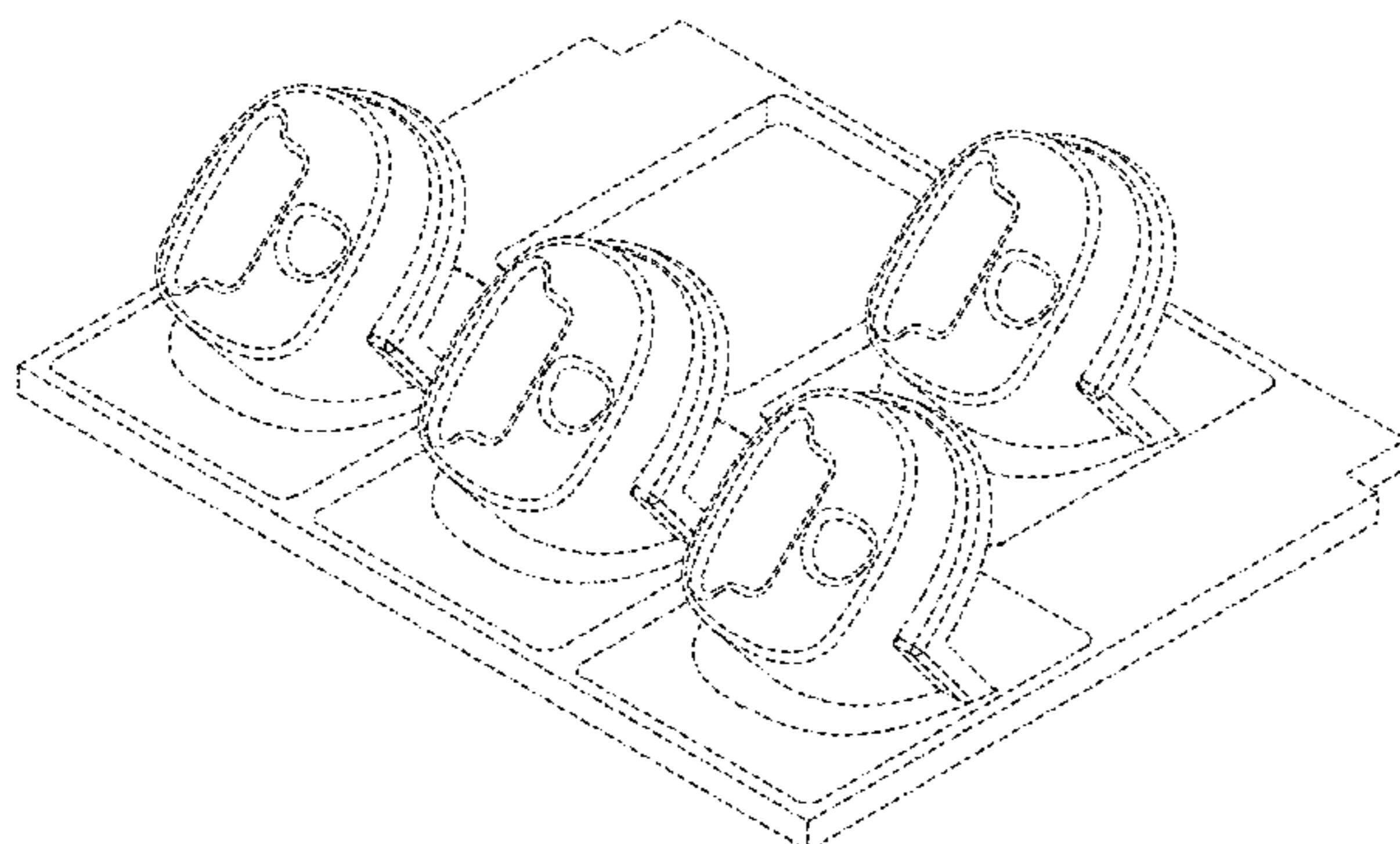
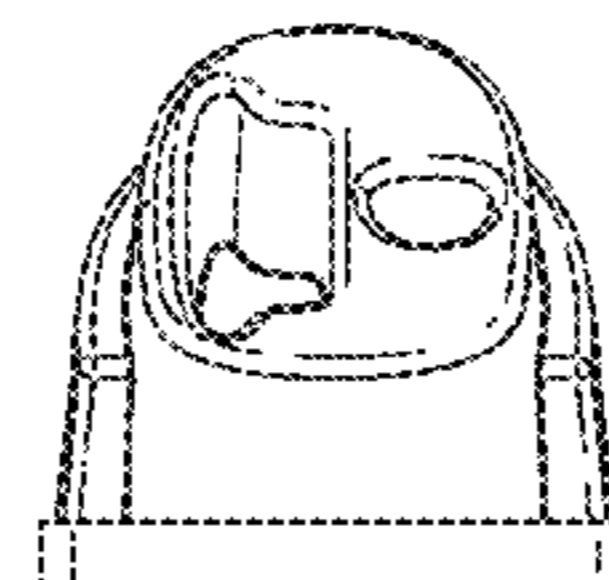
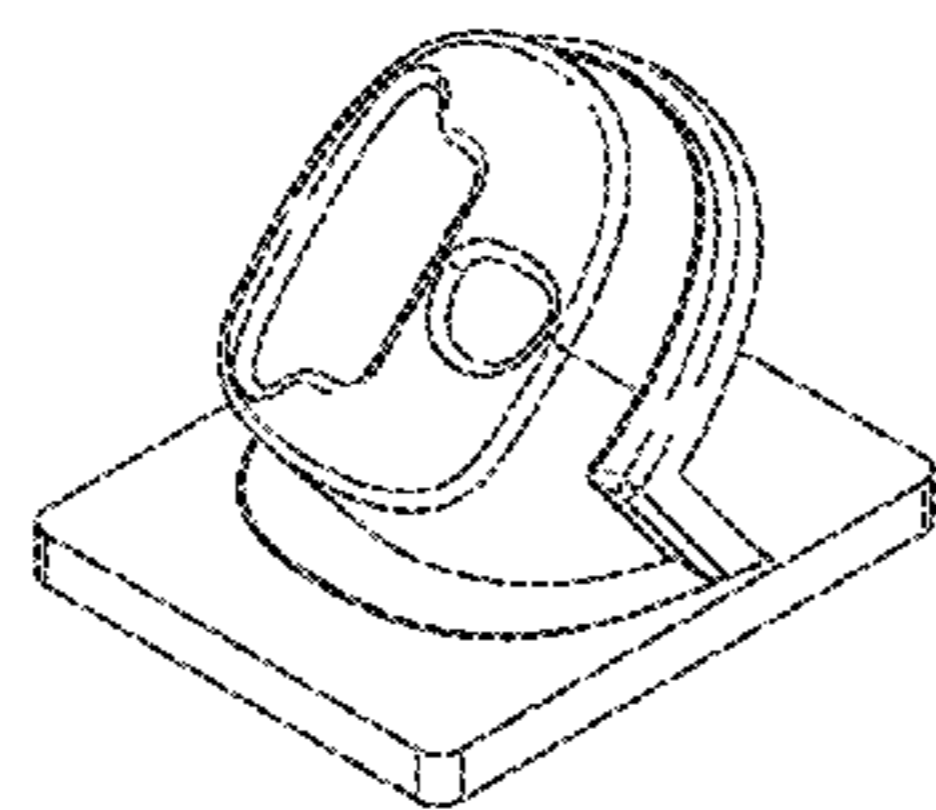
(57) **CLAIM**

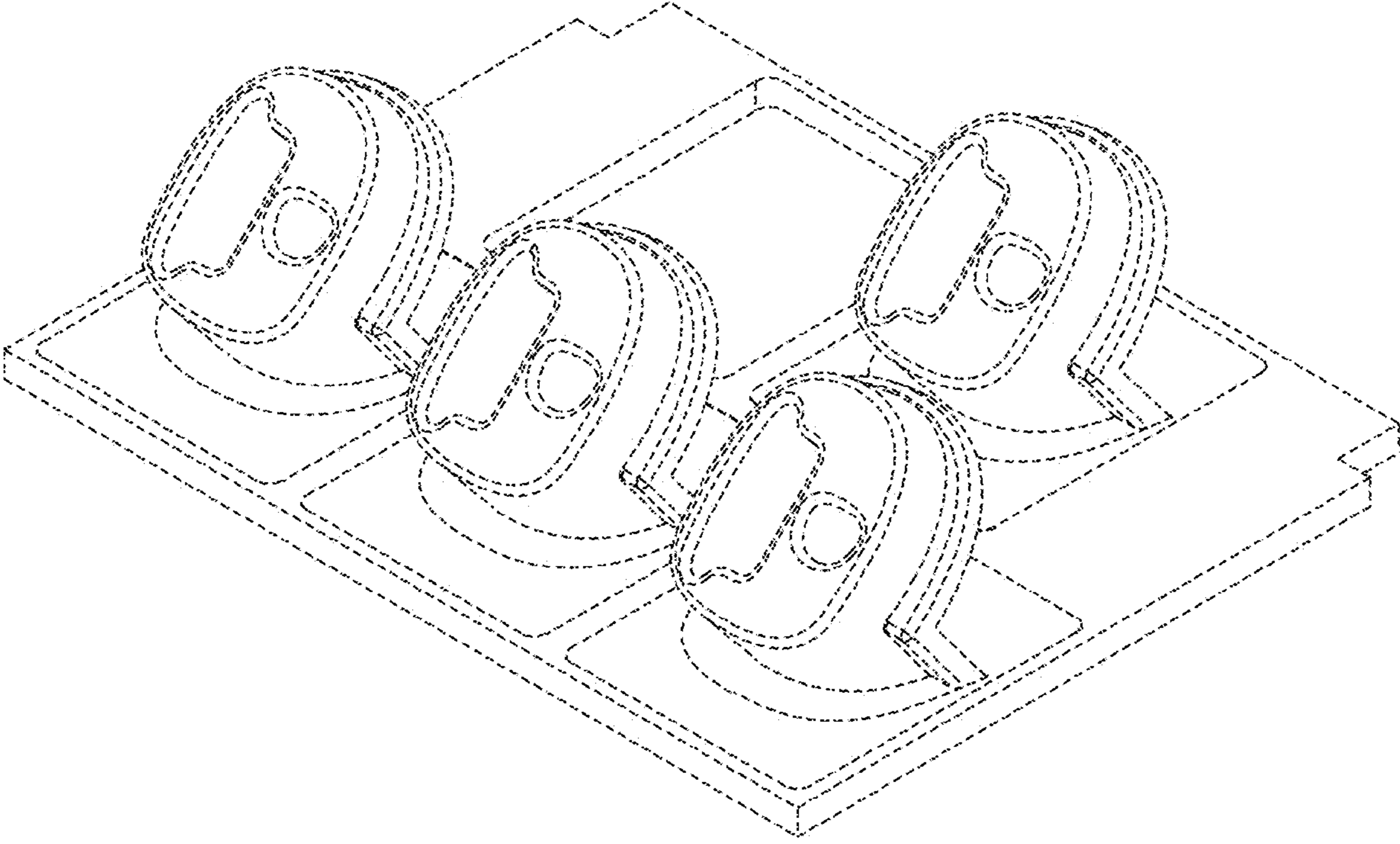
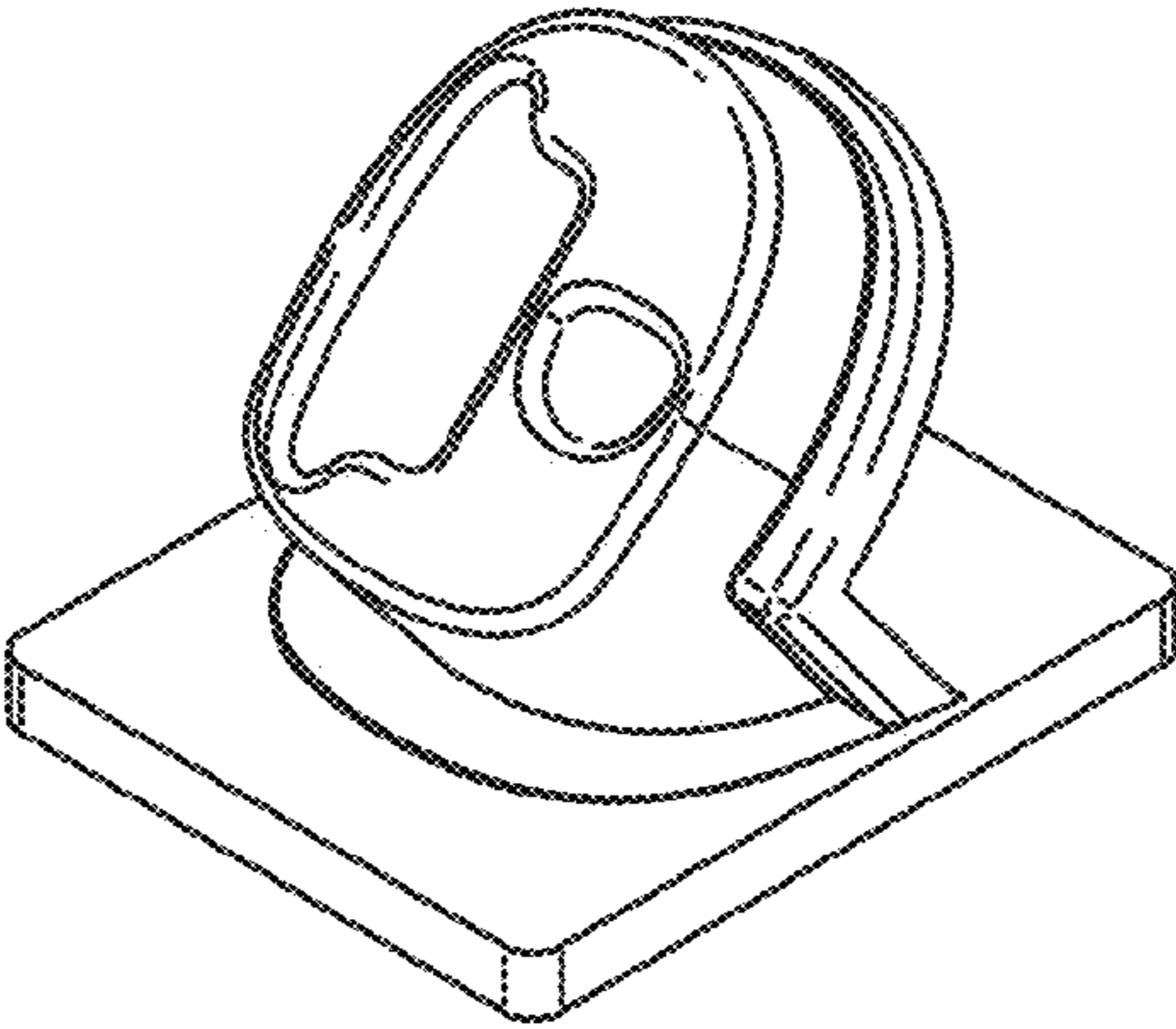
The ornamental design for a charging stand, as shown and described.

**DESCRIPTION**

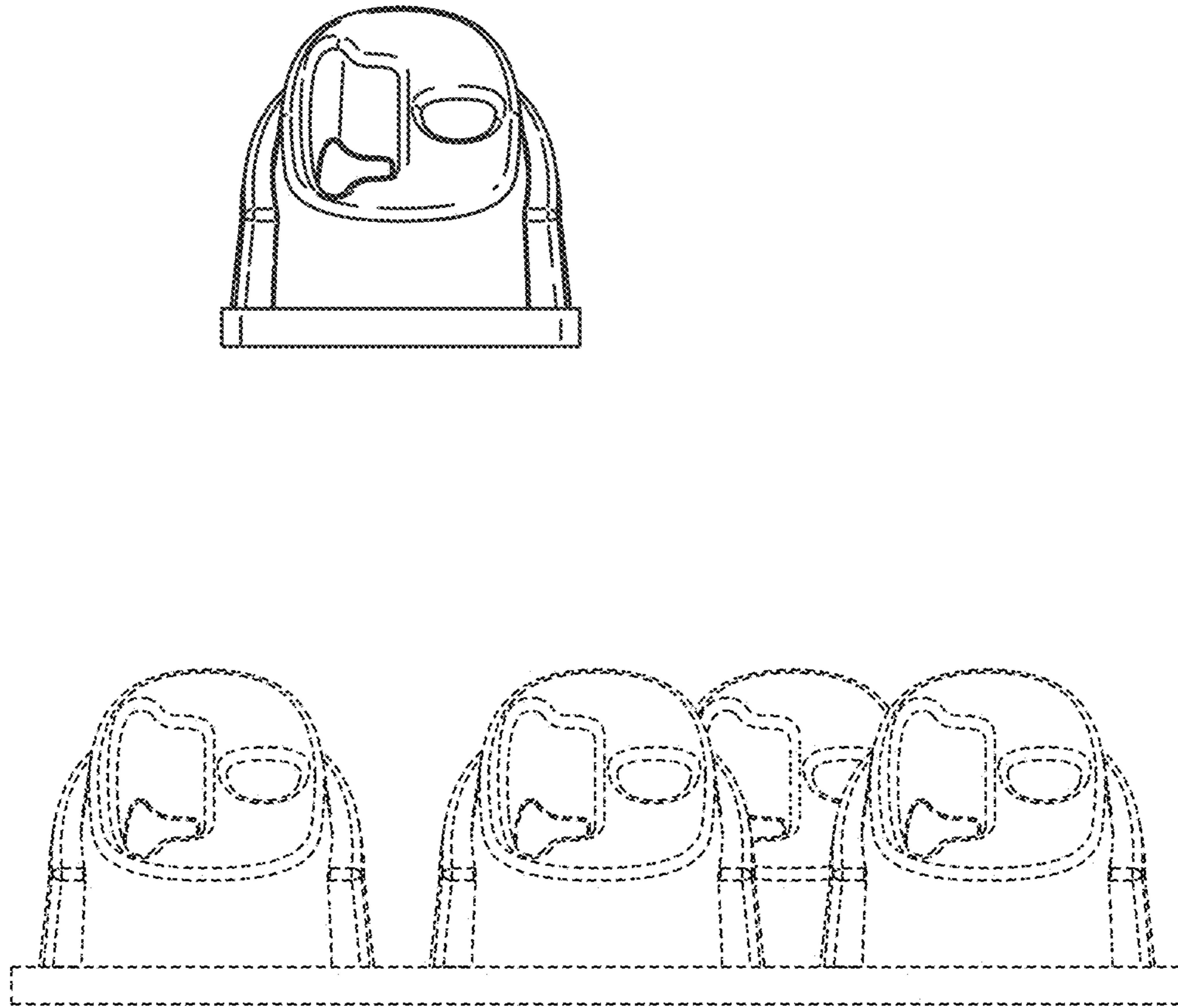
FIG. 1 is a top perspective view of a charging stand; shown in a first environment of use;  
FIG. 2 is a front view thereof;  
FIG. 3 is a rear view thereof;  
FIG. 4 is a left side view thereof;  
FIG. 5 is a right side view thereof;  
FIG. 6 is a top view thereof; and  
FIG. 7 is a bottom view thereof.  
FIG. 8 is a top perspective view of the charging stand of FIG. 1, shown in a second environment of use;  
FIG. 9 is a front view thereof;  
FIG. 10 is a rear view thereof;  
FIG. 11 is a left side view thereof;  
FIG. 12 is a right side view thereof;  
FIG. 13 is a top view thereof;  
FIG. 14 is a bottom view thereof; and,  
FIG. 15 is a top perspective view of the charging stand of FIG. 1, shown in a third environment of use.  
The broken lines in the drawings illustrate environmental subject matter that forms no part of the claimed design.

**1 Claim, 15 Drawing Sheets**



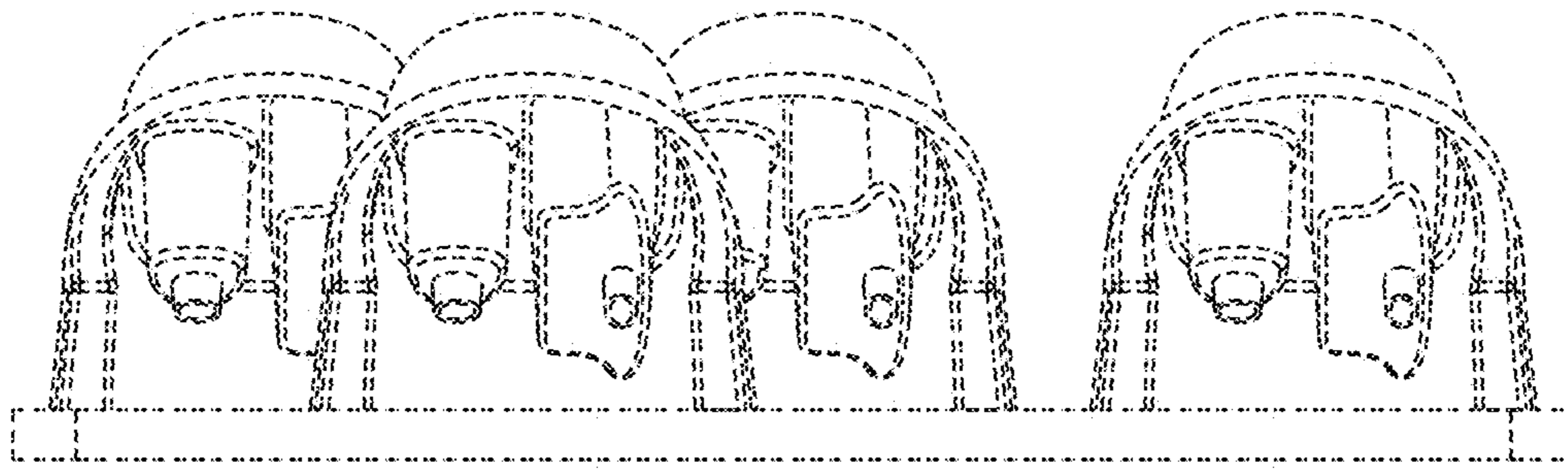
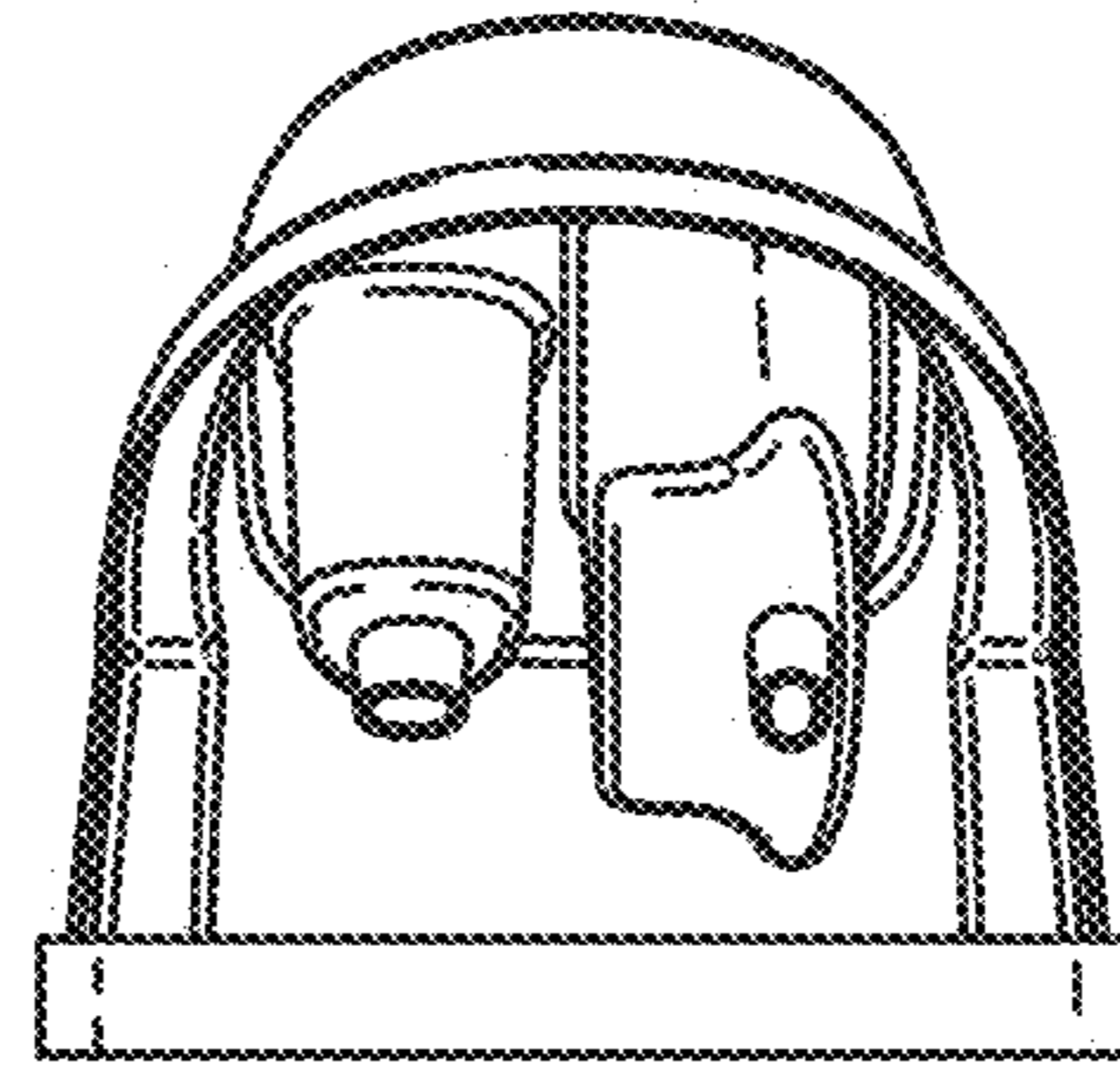


**FIG. 1**

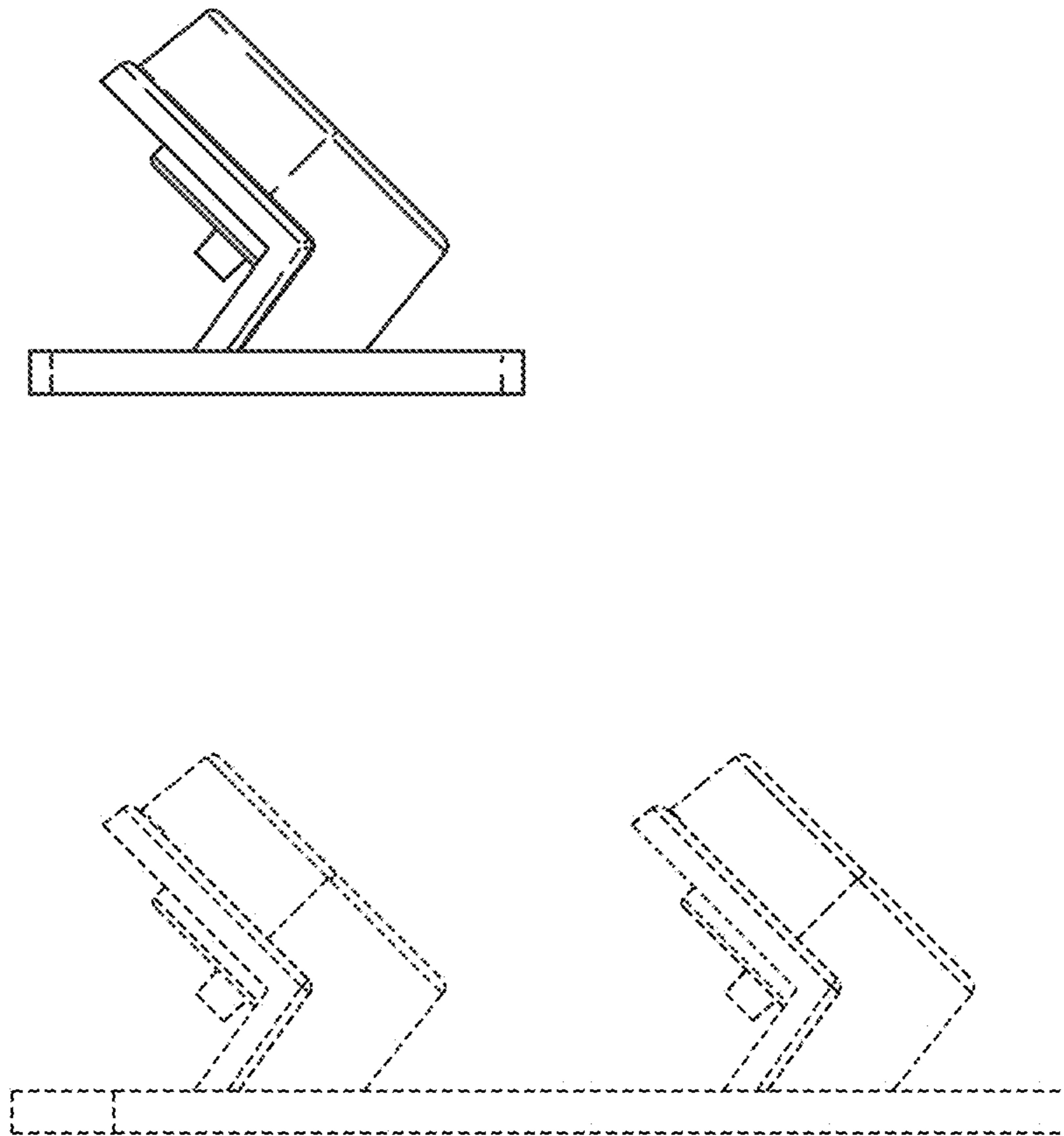


**FIG. 2**

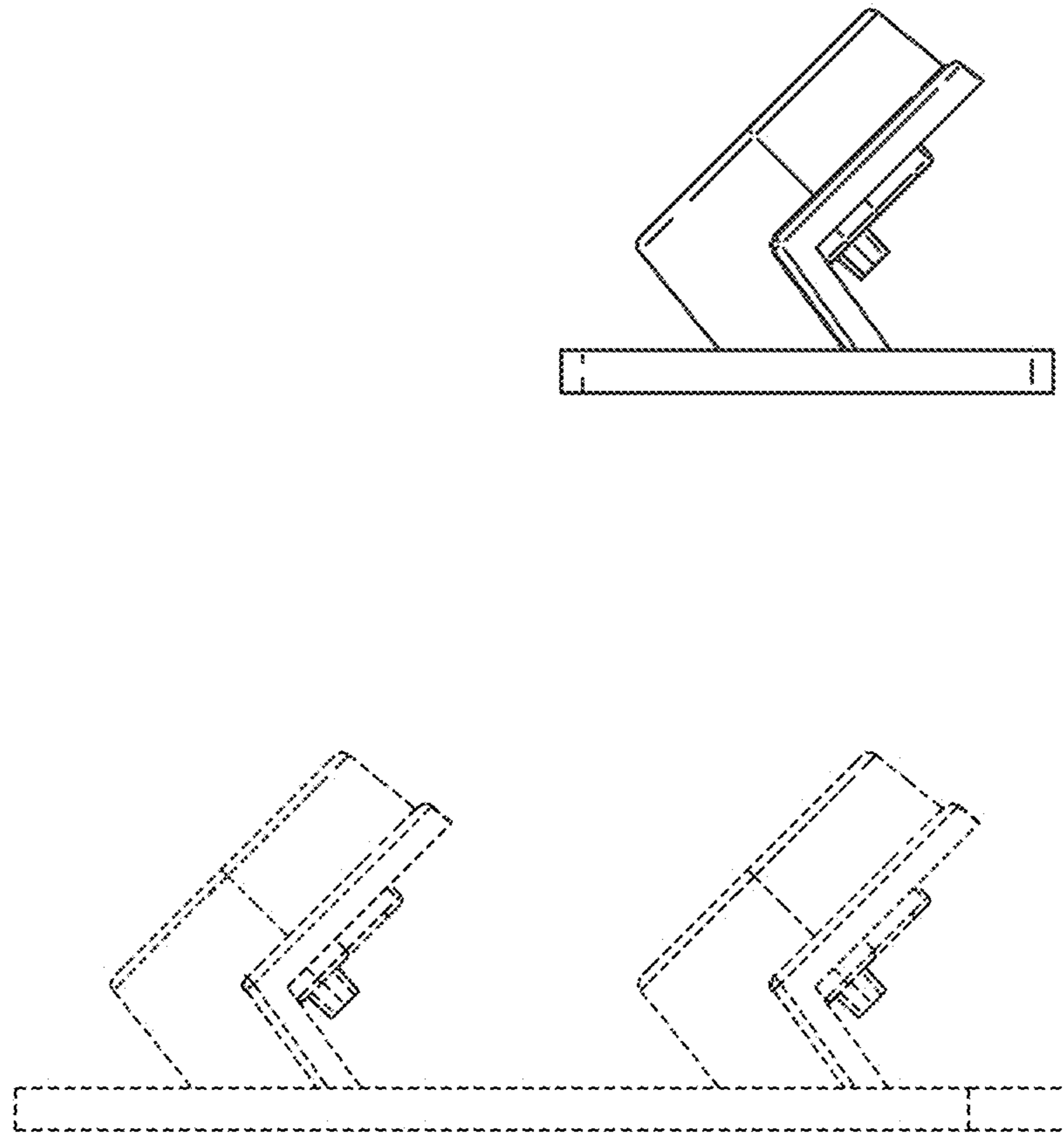




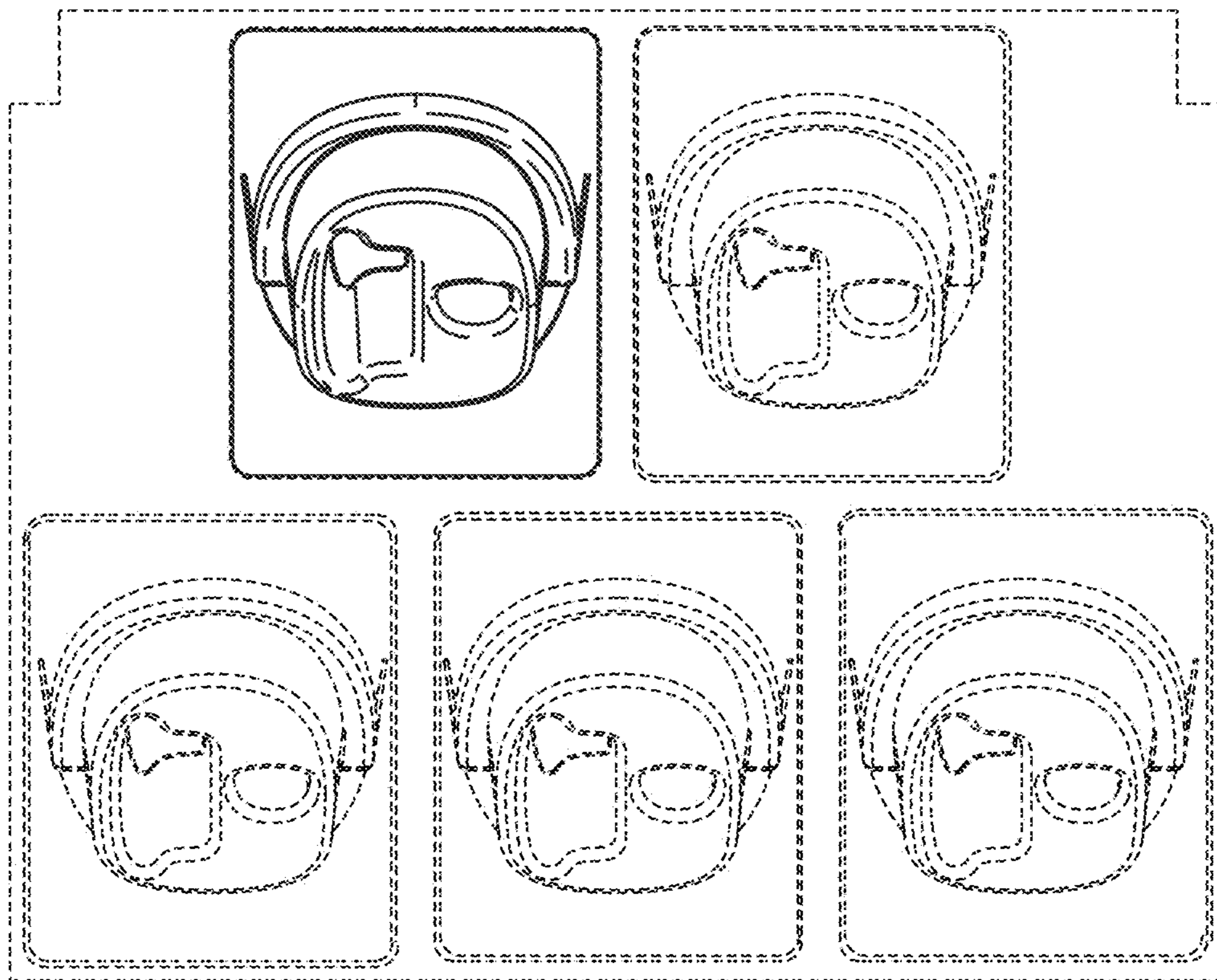
**FIG. 3**



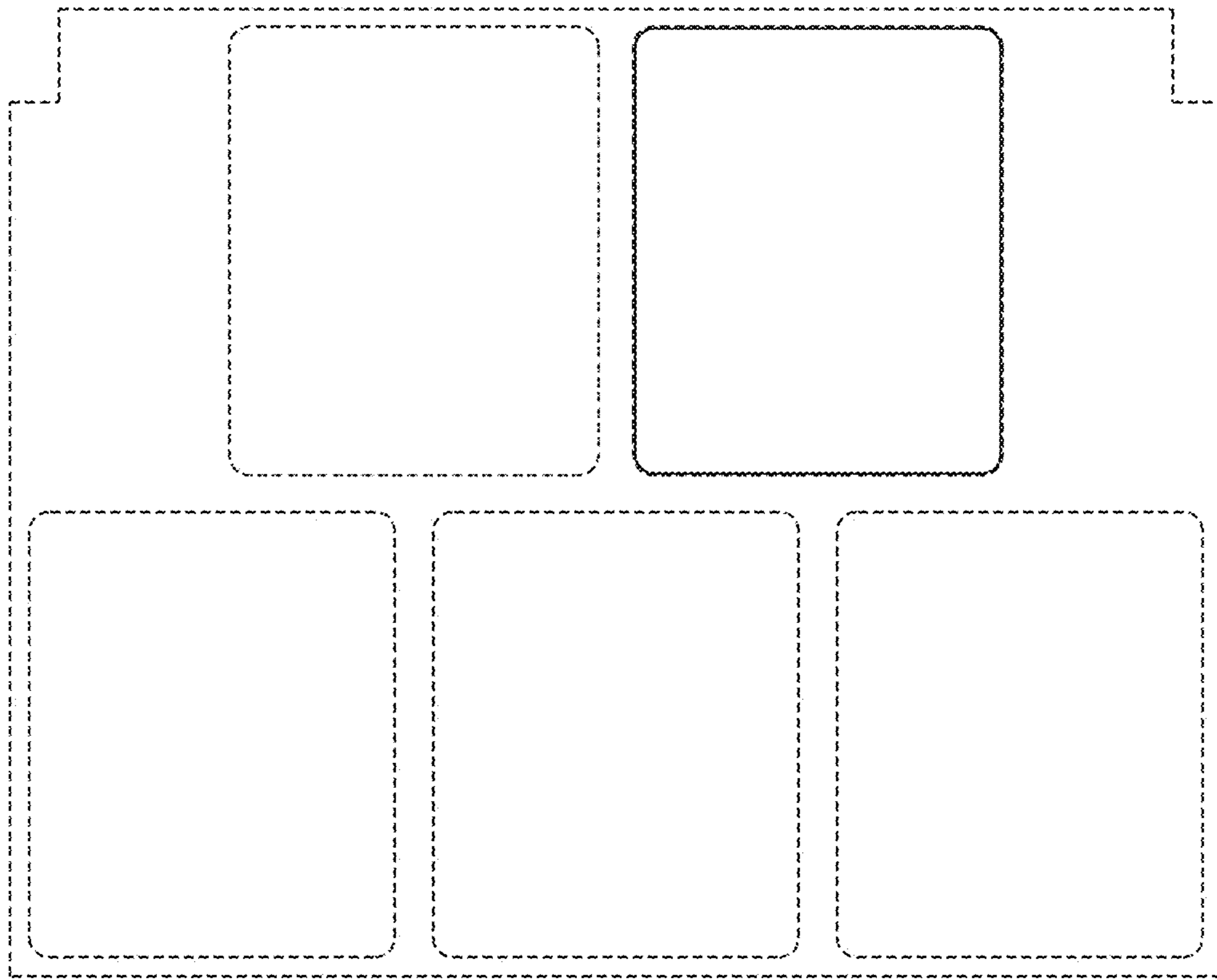
**FIG. 4**



**FIG. 5**

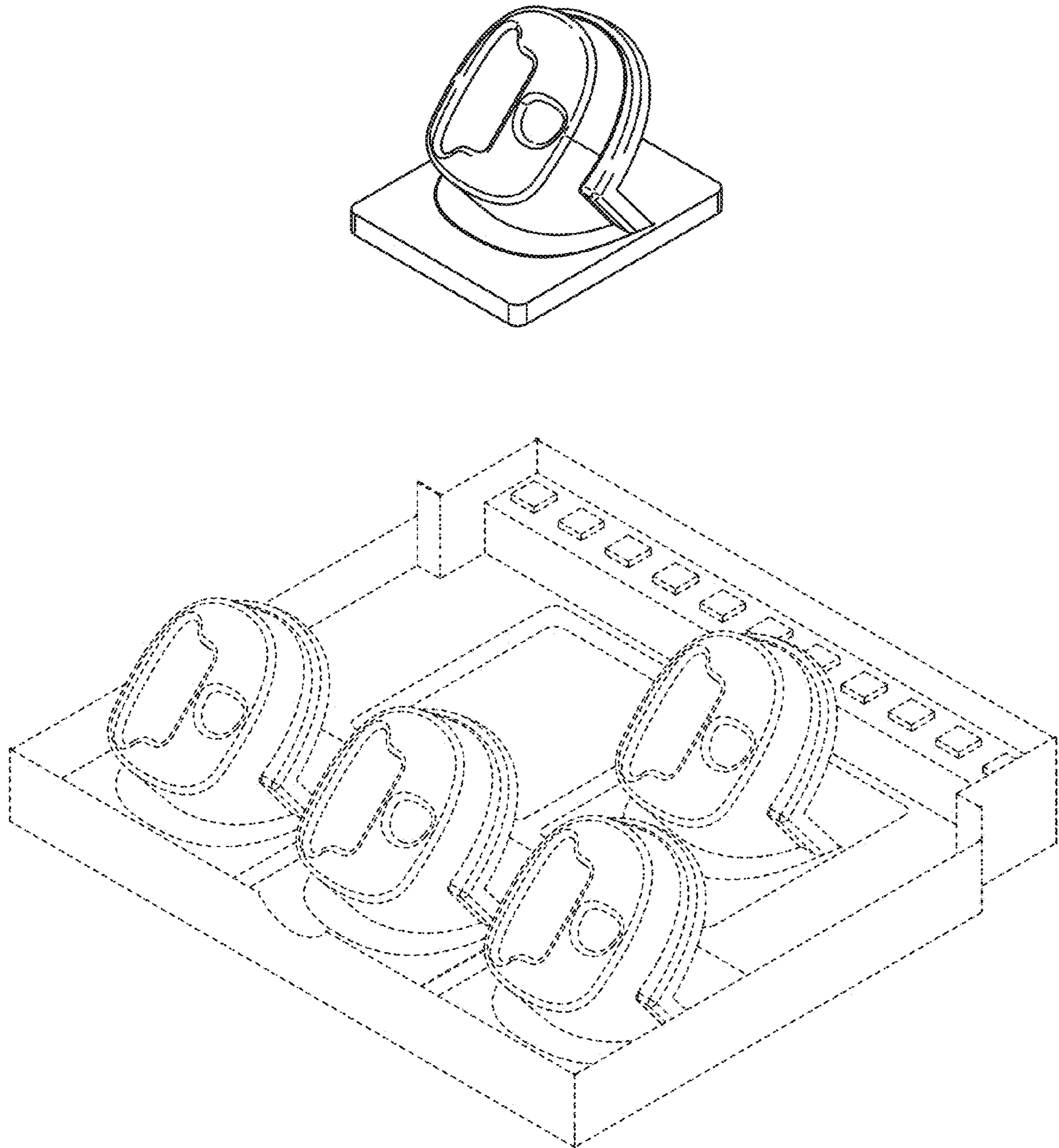


**FIG. 6**

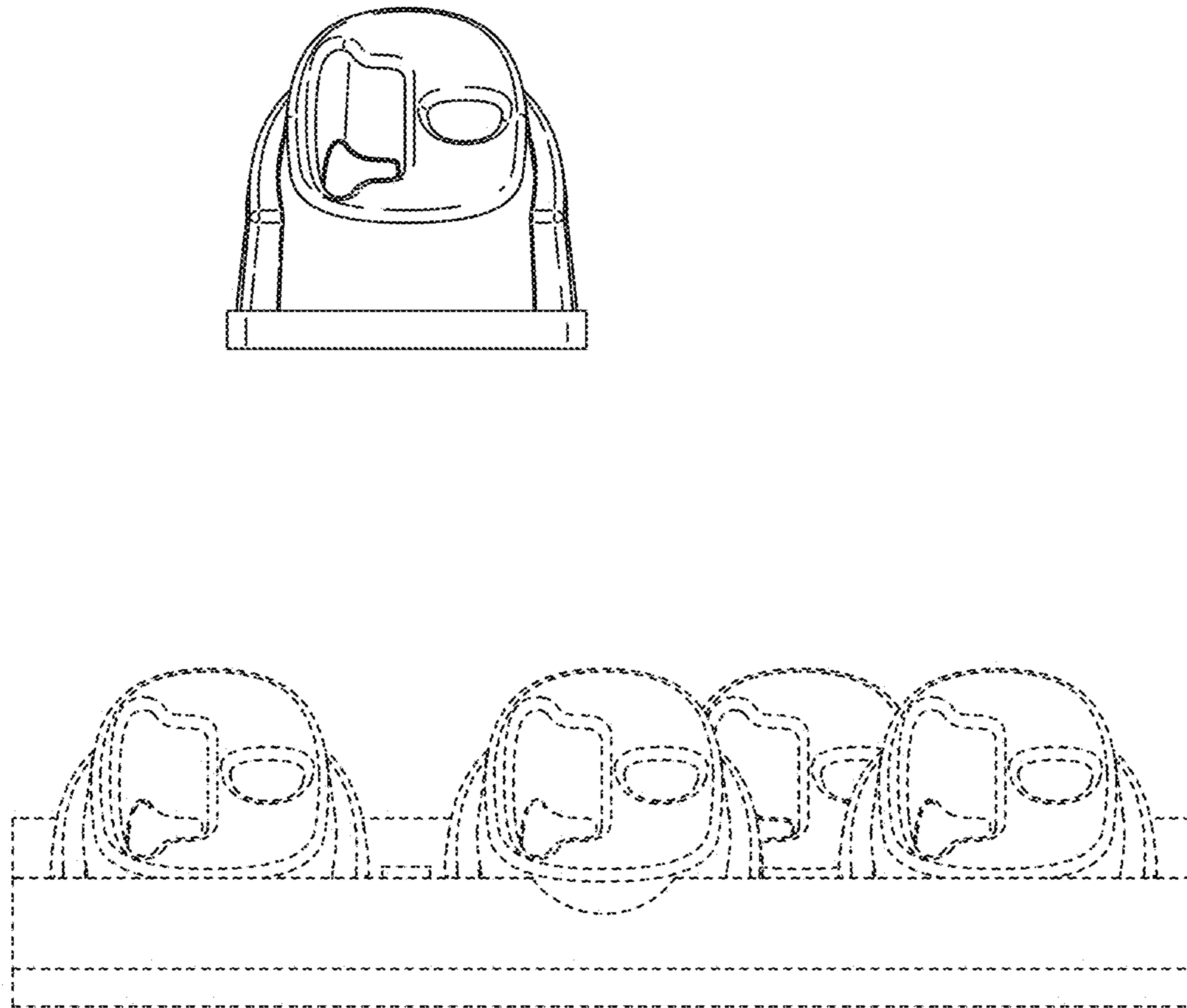


**FIG. 7**

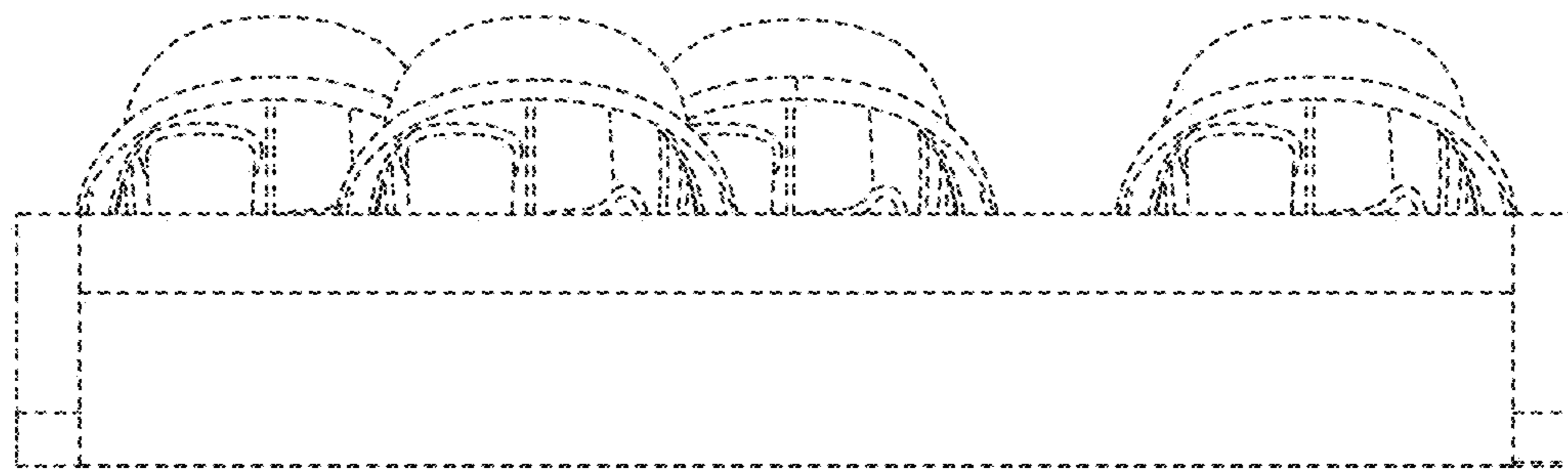
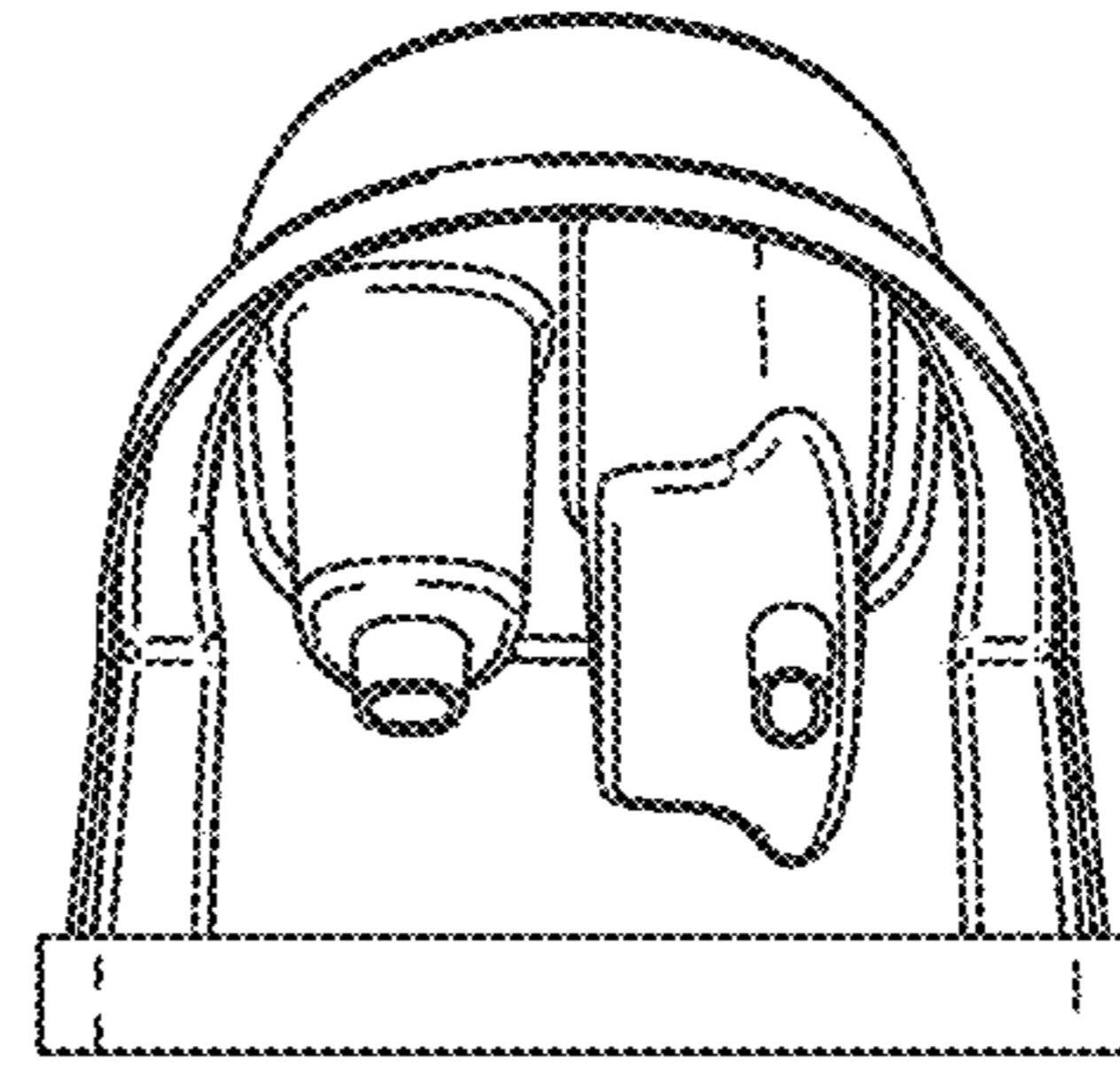




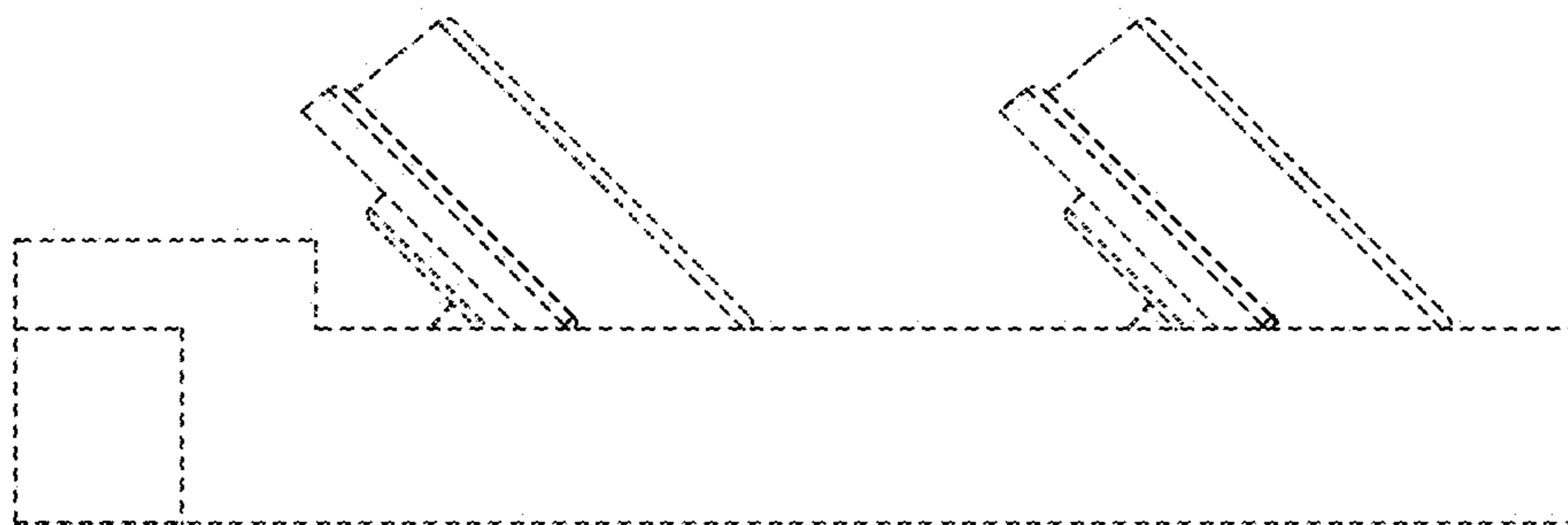
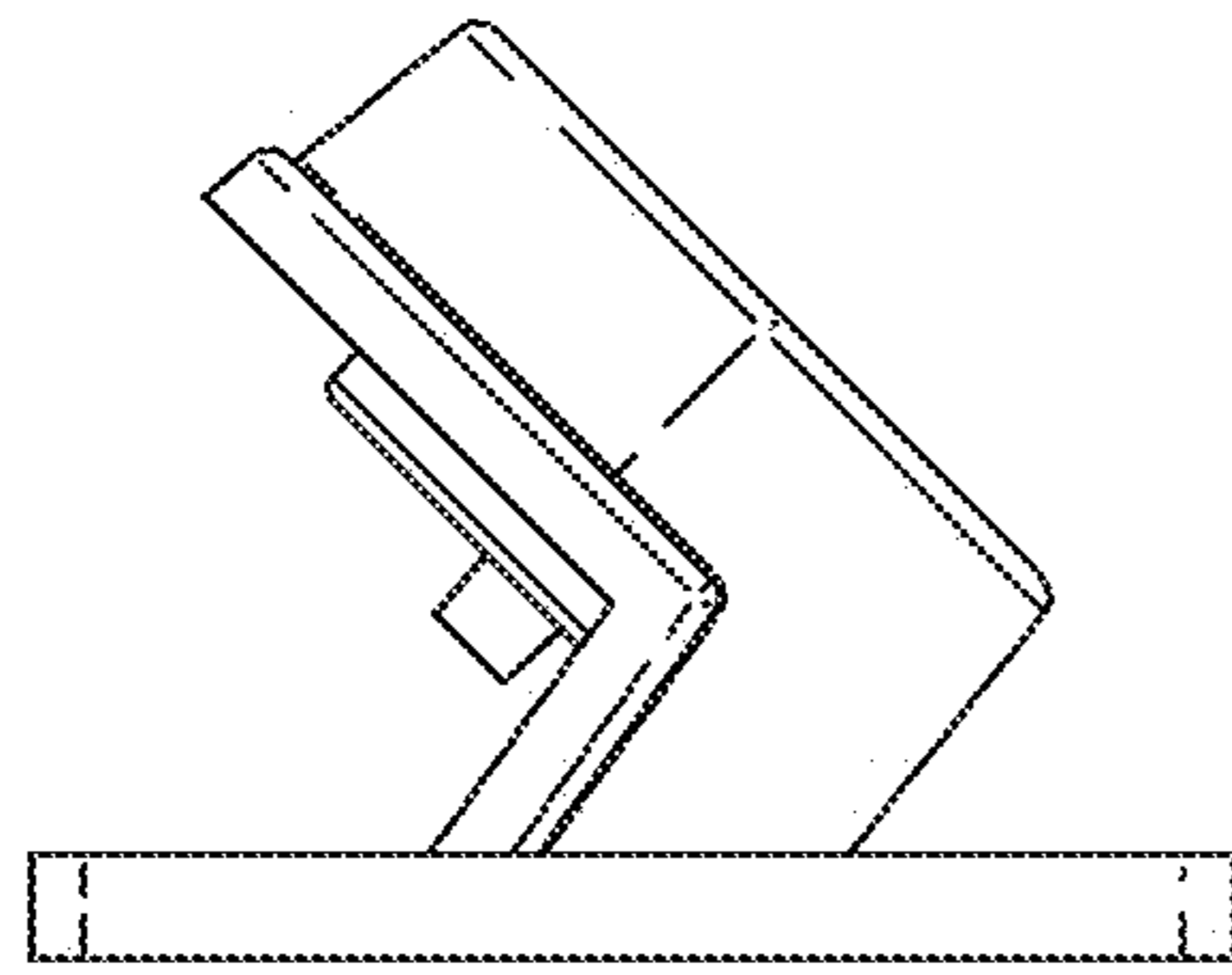
**FIG. 8**



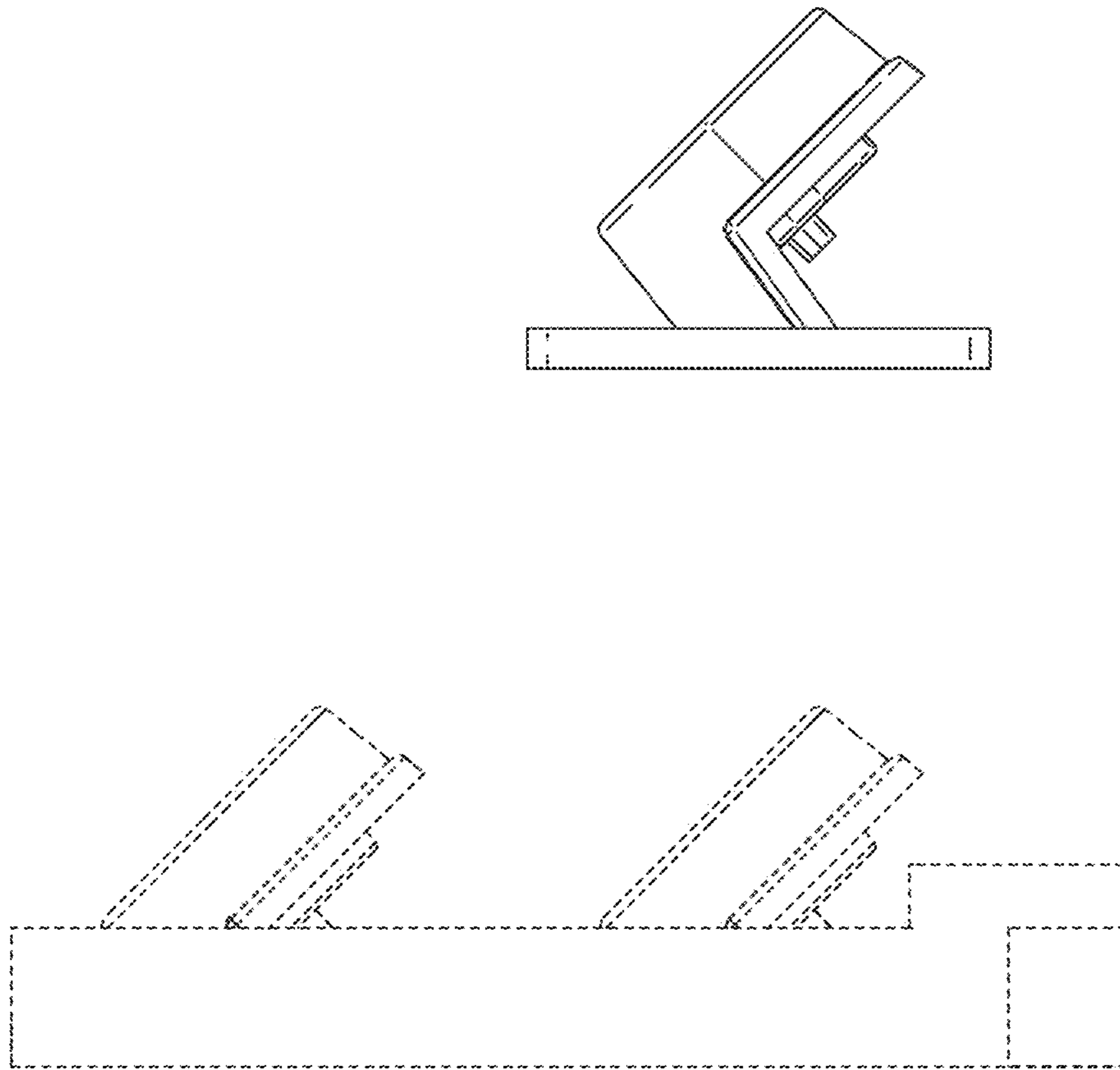
**FIG. 9**



**FIG. 10**

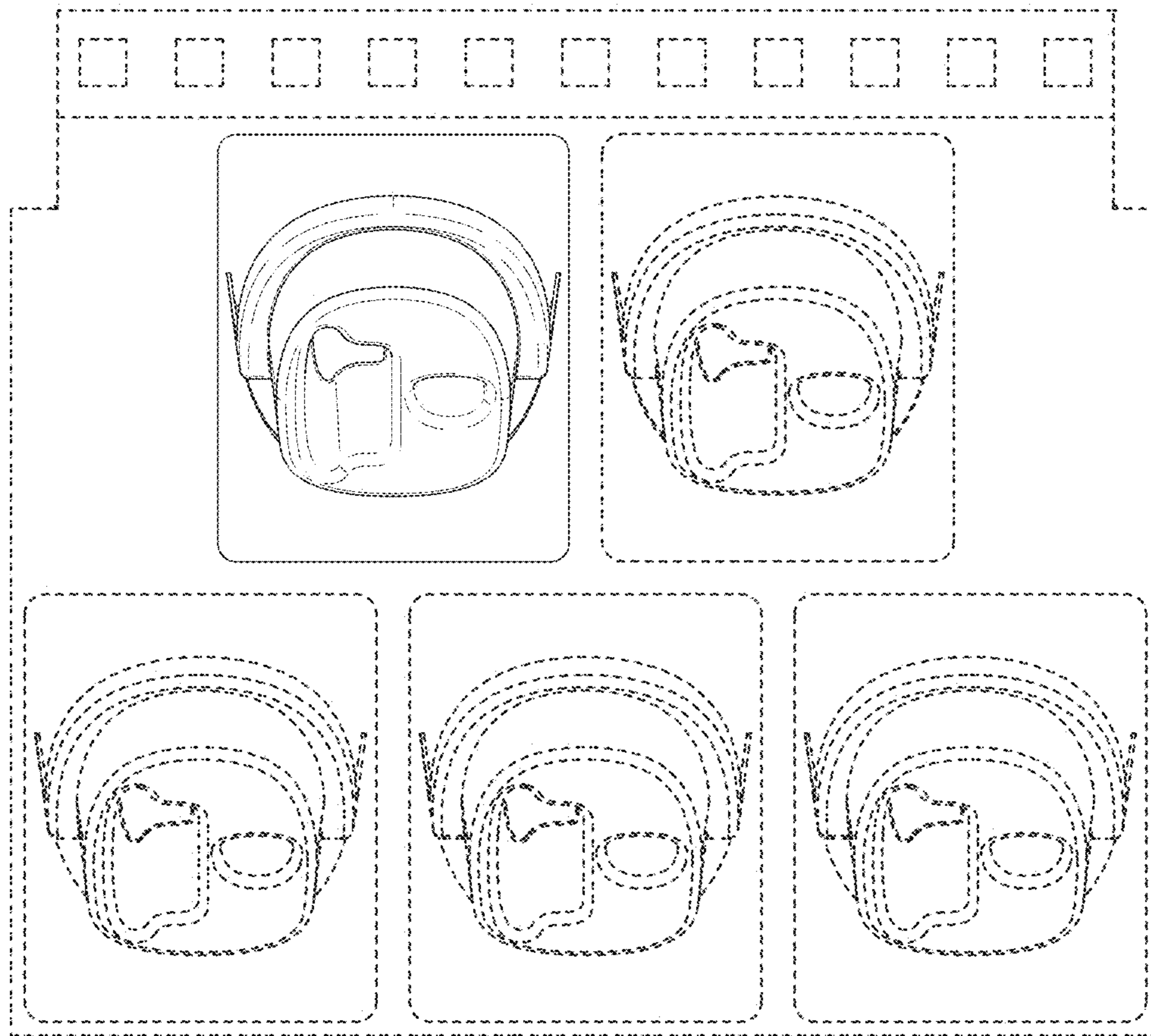


**FIG. 11**

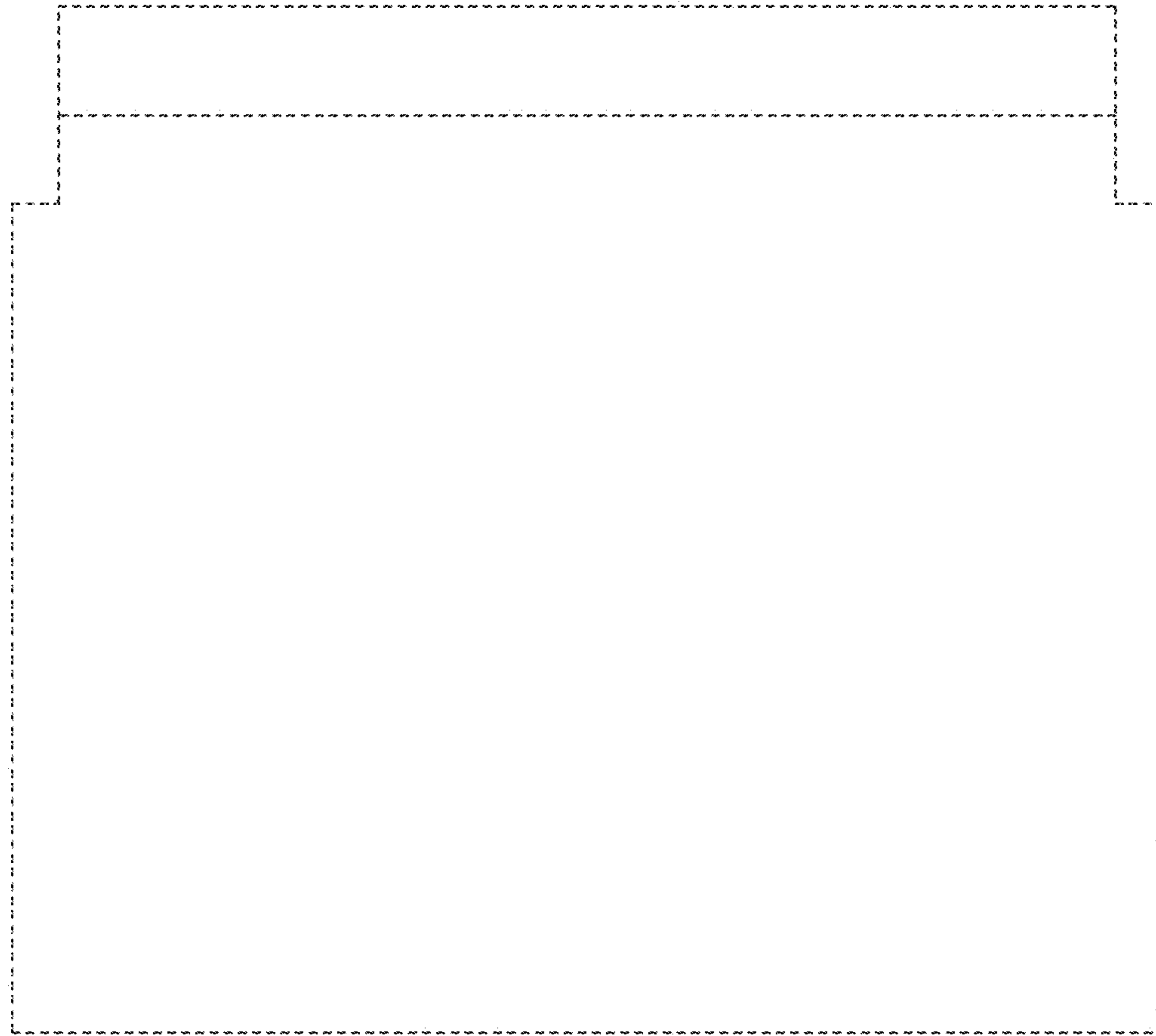


**FIG. 12**





**FIG. 13**



**FIG. 14**

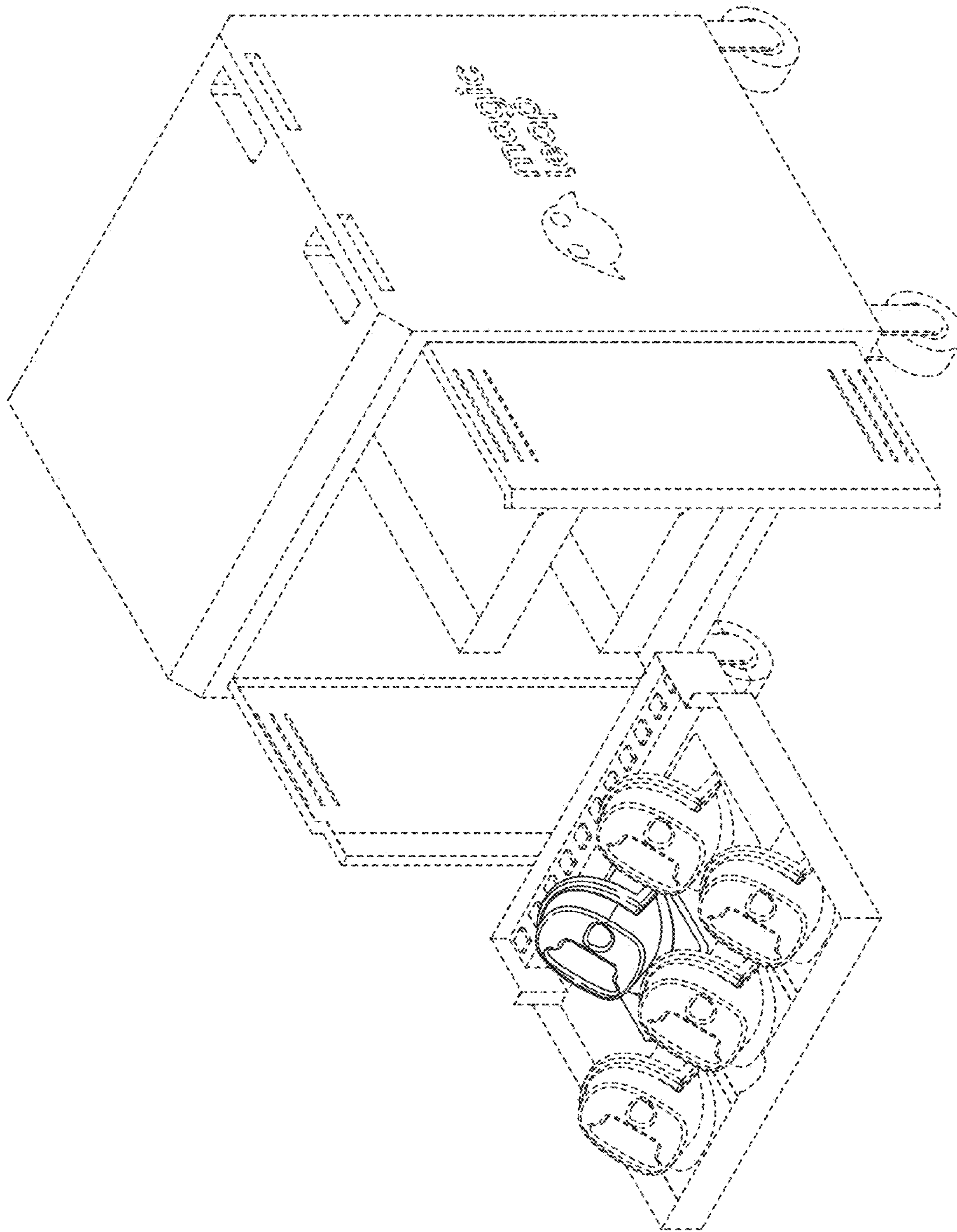


FIG. 15