



US00D947118S

(12) **United States Design Patent**  
**Hwang**

(10) **Patent No.:** **US D947,118 S**  
(45) **Date of Patent:** **\*\* Mar. 29, 2022**

(54) **ELECTRIC VEHICLE CHARGER**  
(71) Applicant: **SIGNET EV INC., Jeollanam-do (KR)**  
(72) Inventor: **Ho Chul Hwang, Gyeonggi-do (KR)**  
(73) Assignee: **SIGNET EV INC., Jeollanam-Do (KR)**  
(\*\*) Term: **15 Years**  
(21) Appl. No.: **29/724,065**  
(22) Filed: **Feb. 12, 2020**

(30) **Foreign Application Priority Data**

Sep. 18, 2019 (KR) ..... 30-2019-0044708

(51) **LOC (13) Cl.** ..... **13-02**

(52) **U.S. Cl.**  
USPC ..... **D13/107**

(58) **Field of Classification Search**  
USPC ..... D13/103, 107, 108, 110, 118, 119, 122,  
D13/184, 199

CPC ..... Y02E 60/12; Y02E 60/122; Y02E 60/124;  
Y02E 60/50; H02J 7/025; H02J 7/0042;  
H02J 7/0044; H02J 7/0045; H02J 7/0003;  
H01R 13/6675; H01M 2/1022; H01M  
2/1055; H01M 10/44; H01M 10/46;  
H01M 10/425; B60L 11/182; B60L 11/18  
See application file for complete search history.

(56) **References Cited**

**U.S. PATENT DOCUMENTS**

D626,063 S \* 10/2010 Cutter ..... D13/107  
D651,561 S \* 1/2012 Petrie ..... D13/107

D652,791 S \* 1/2012 Petrie ..... D13/107  
D664,085 S \* 7/2012 Callender ..... D13/107  
D665,344 S \* 8/2012 Petrie ..... D13/107  
D665,733 S \* 8/2012 Petrie ..... D13/107  
D877,065 S \* 3/2020 Li ..... D13/107  
D884,613 S \* 5/2020 Minkyo ..... D13/107  
D892,725 S \* 8/2020 Baxter ..... D13/107  
D897,285 S \* 9/2020 Walsh ..... D13/108  
2012/0212180 A1 \* 8/2012 Iida ..... B65H 75/4476  
320/109  
2017/0361719 A1 \* 12/2017 Doucet ..... B60L 53/60

\* cited by examiner

*Primary Examiner* — Christy Nemeth

(74) *Attorney, Agent, or Firm* — The PL Law Group, PLLC

(57) **CLAIM**

The ornamental design for an electric vehicle charger, as shown and described.

**DESCRIPTION**

FIG. 1 is a perspective view of the invention;  
FIG. 2 is a front view thereof;  
FIG. 3 is a rear view thereof;  
FIG. 4 is a left side view thereof;  
FIG. 5 is a right side view thereof;  
FIG. 6 is a top plan view thereof; and,  
FIG. 7 is a bottom plan view thereof.  
The broken lines in the drawings illustrate portions of the article that form no part of the claim.

**1 Claim, 6 Drawing Sheets**

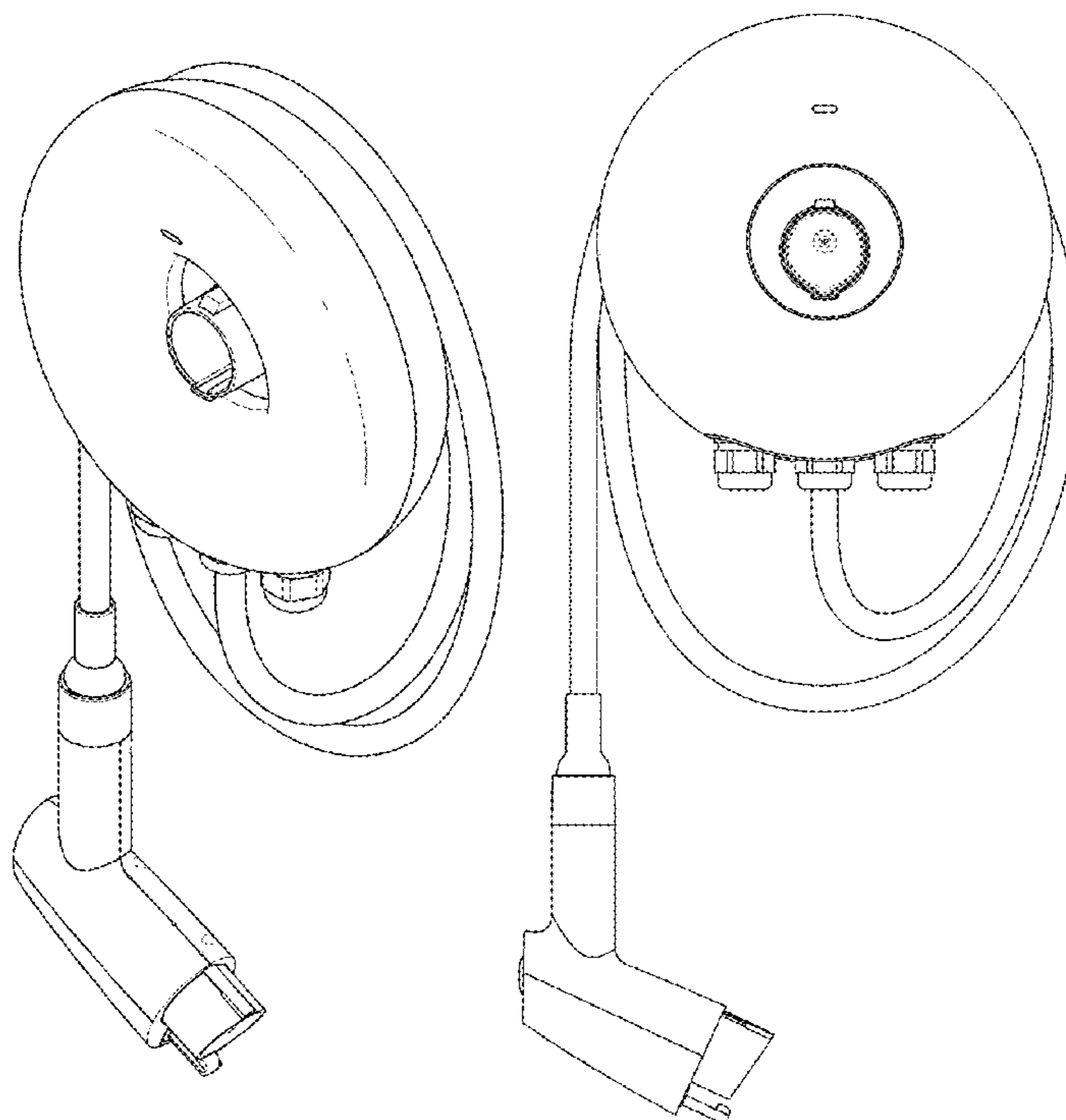


FIG. 1

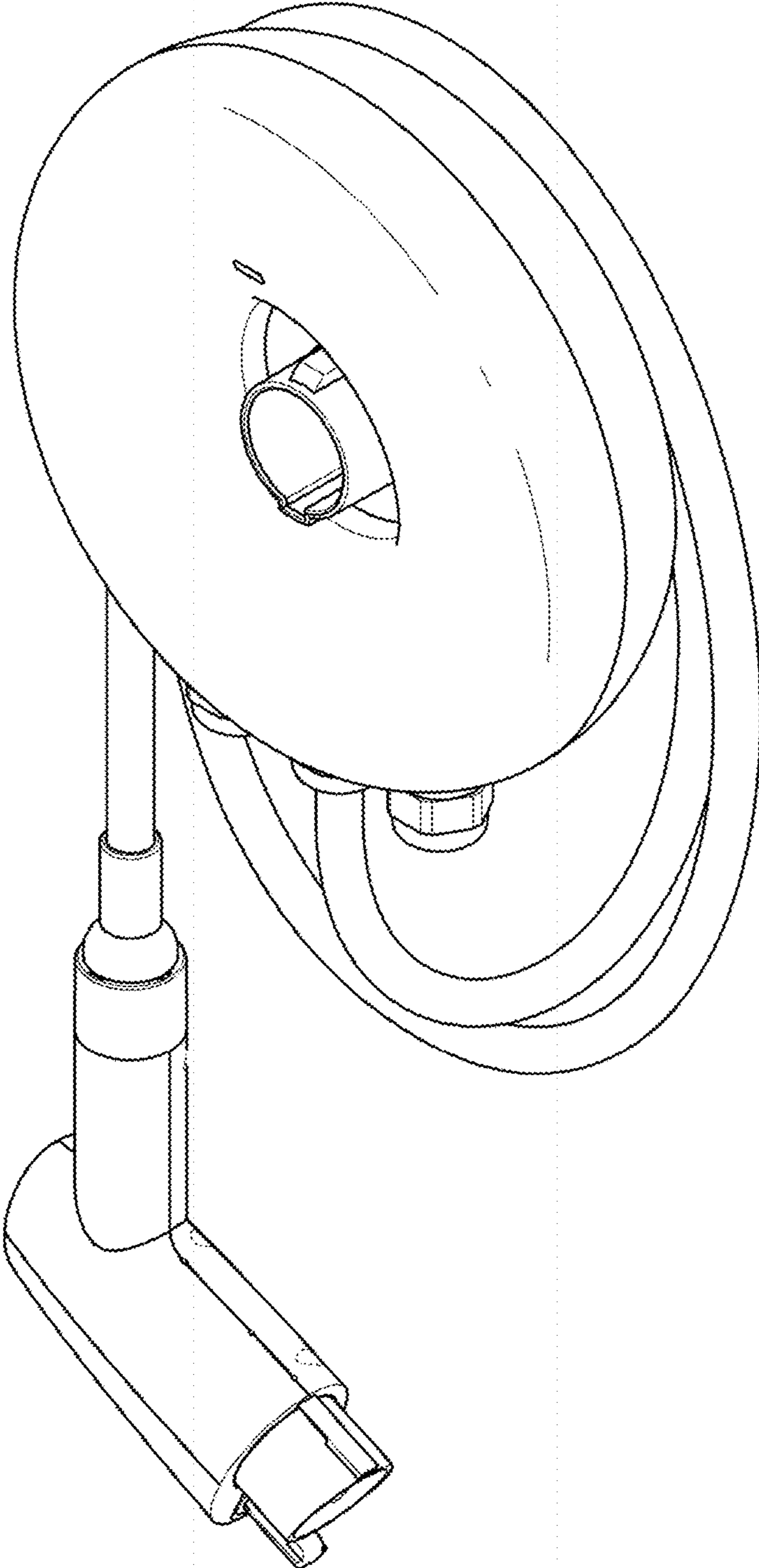


FIG. 2

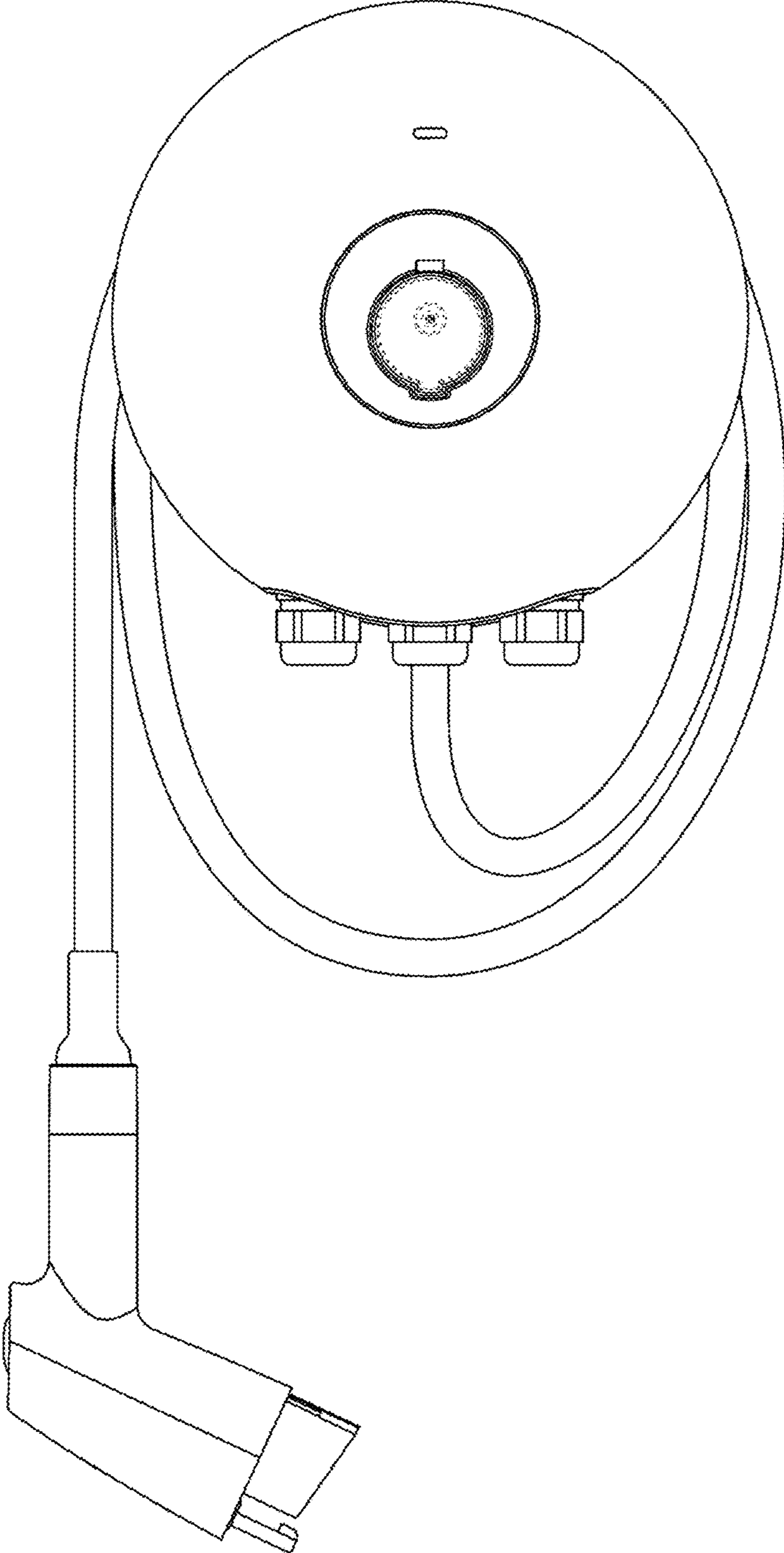


FIG. 3

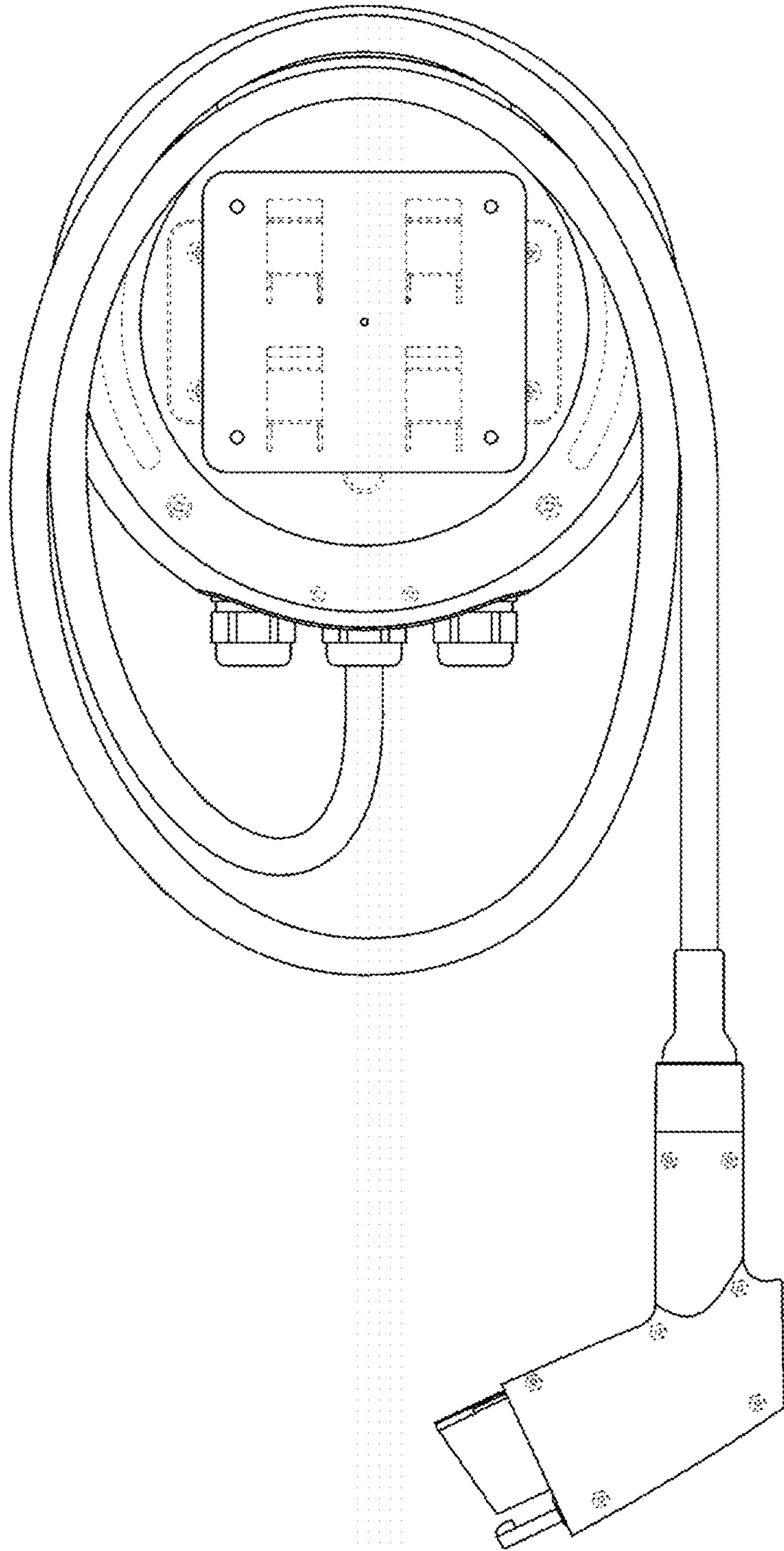


FIG. 4

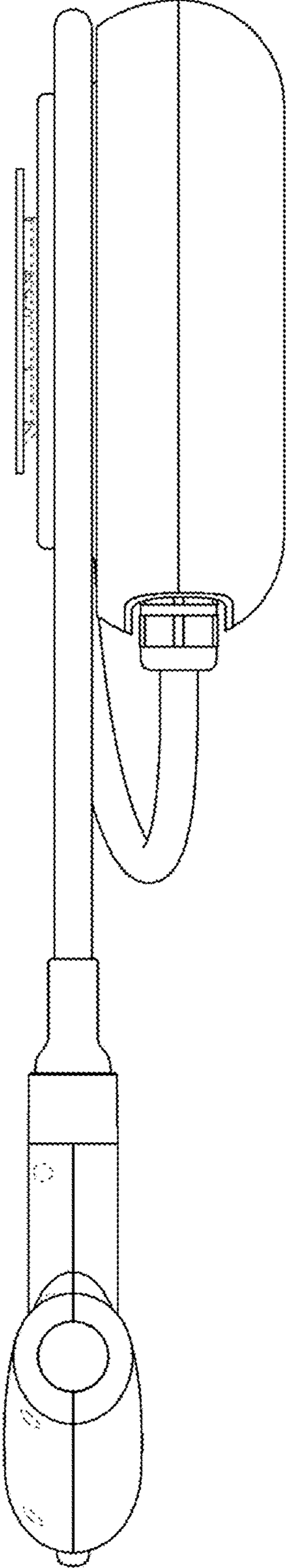


FIG. 5

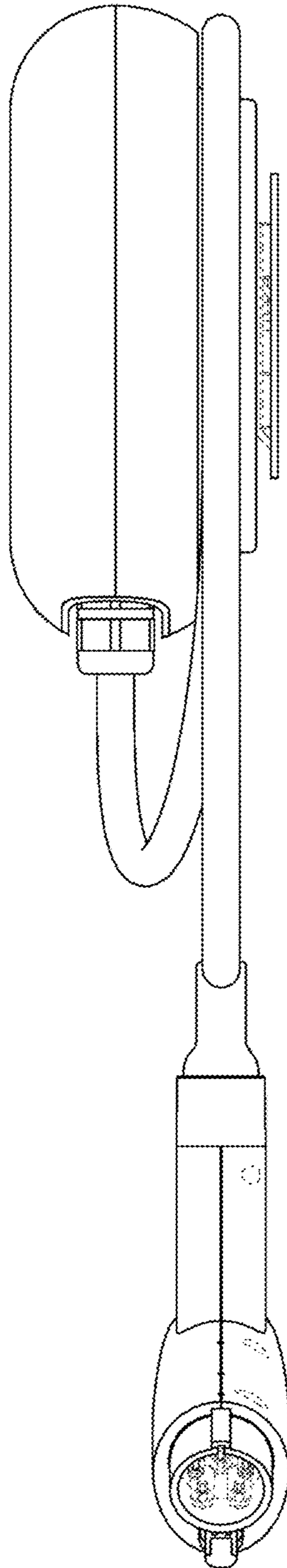


FIG. 6

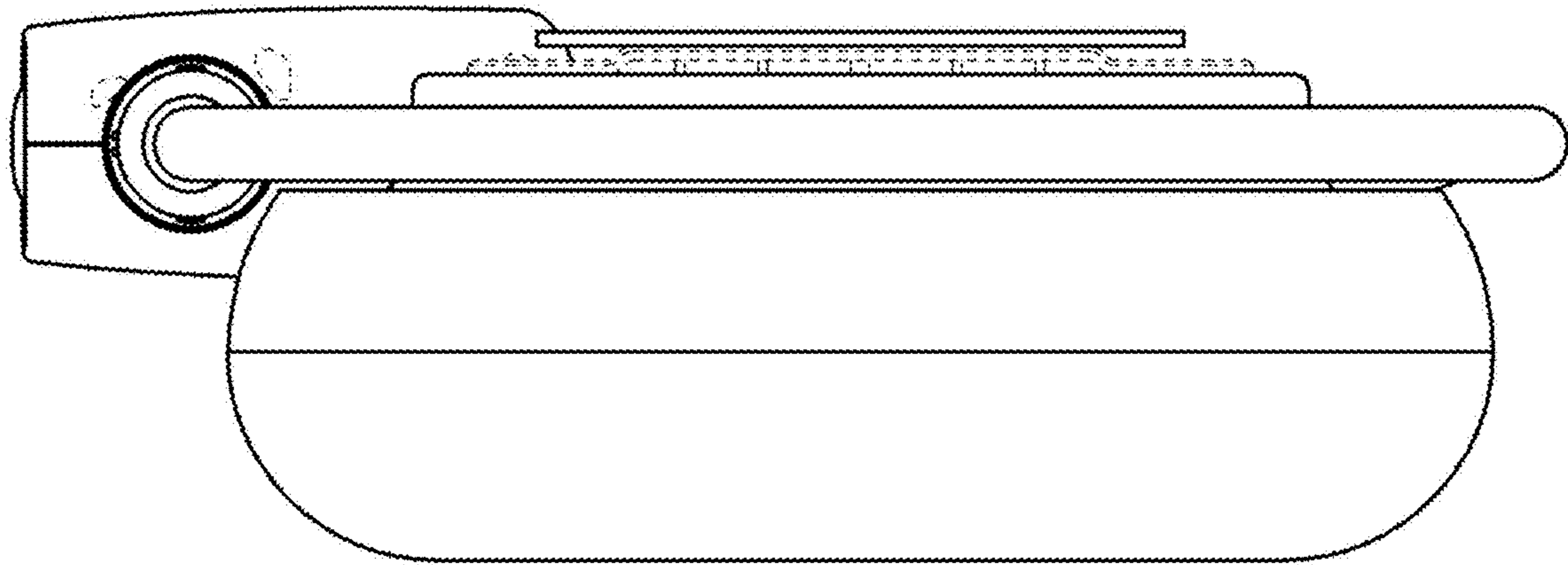


FIG. 7

