



US00D947117S

(12) **United States Design Patent** (10) **Patent No.:** **US D947,117 S**
McManigal et al. (45) **Date of Patent:** **** Mar. 29, 2022**

(54) **BATTERY HOUSING**
(71) Applicant: **Arlo Technologies, Inc.**, Carlsbad, CA (US)
(72) Inventors: **Scott McManigal**, Newport Beach, CA (US); **Christopher Fonzo**, Carlsbad, CA (US); **David Tong**, San Diego, CA (US); **Glen Oross**, San Diego, CA (US)
(73) Assignee: **Arlo Technologies, Inc.**, Carlsbad, CA (US)
(**) Term: **15 Years**
(21) Appl. No.: **29/747,591**
(22) Filed: **Aug. 24, 2020**
(51) **LOC (13) Cl.** **13-02**
(52) **U.S. Cl.**
USPC **D13/103**
(58) **Field of Classification Search**
USPC D13/102–106, 110, 118, 119, 184, 199
CPC Y02E 60/10; H01M 6/00; H01M 6/14; H01M 6/05; H01M 6/10; H01M 6/52
See application file for complete search history.

“Arlo Certified Extended Battery Housing.” Before Nov. 4, 2020. Amazon. https://www.amazon.com/Arlo-Certified-Accessory-Rechargeable-VMA5410-10000S/product-reviews/B087CJWM48/ref=cm_cr_ar_p_d_viewopt_srt?reviewerType=all_reviews&sortBy=recent&pageNumber=1.
“Arlo Pro 4 Spotlight Camera.” Oct. 20, 2020. Amazon. https://www.amazon.com/dp/B08L75YWZK/ref=sspa_dk_detail_5?psc=1&pf_rd_p=54ed5474-54a8-4c7f-a88a-45f748d18166&pd_rd_wg=zljcO&pf_rd_r=AR2VCPHAMPJ8J7N4WZ7R&pd_rd_w=9KJUJu&pd_rd_r=c809e72d-a782-46b6-ac98-adce8882125c&spLa=ZW5jcnlwdGVkUXVhbGlmaWVyPUEyQU5RM1M4UjFF.
“Arlo Certified Accessory Battery Housing.” Apr. 8, 2020. Amazon. <https://www.amazon.com/Arlo-Certified-Accessory-Separately-VMA5201H/dp/B0851723R5>.
Design U.S. Appl. No. 29/718,892, filed Dec. 30, 2019 (13 pages).

* cited by examiner
Primary Examiner — Manpreet S Matharu
Assistant Examiner — Suzanne E Tisdell
(74) *Attorney, Agent, or Firm* — Boyle Fredrickson S.C.

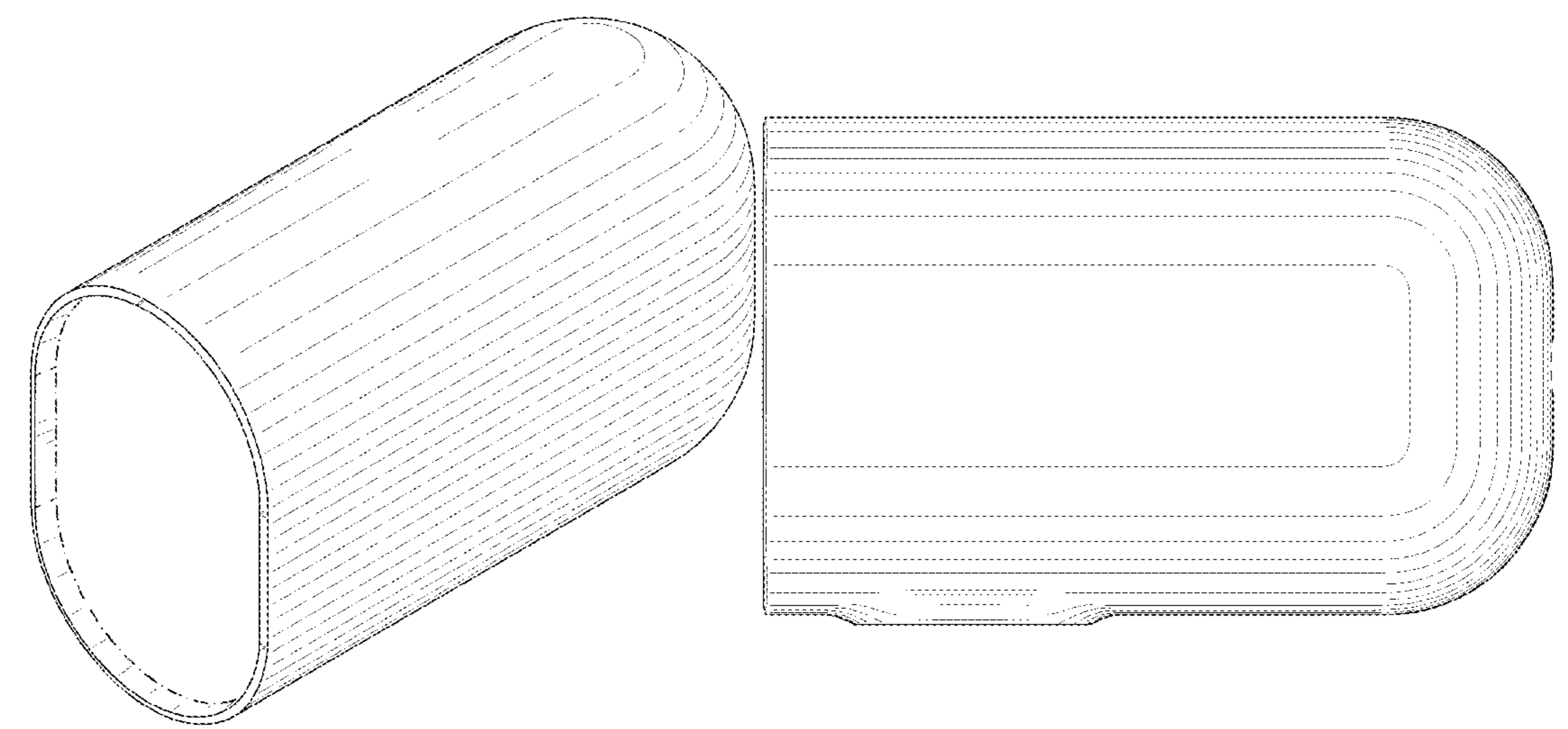
(56) **References Cited**
U.S. PATENT DOCUMENTS
D881,121 S * 4/2020 Roberts D13/108
D885,327 S * 5/2020 Leeds-Frank D13/103
D886,054 S * 6/2020 Liao D13/108
D886,177 S 6/2020 Ramones et al.
D886,882 S 6/2020 Ramones et al.
D898,667 S * 10/2020 Liu D13/108
D903,588 S * 12/2020 Shoemake D13/108
D905,624 S * 12/2020 Kojima D13/102
D911,950 S * 3/2021 Zhang D13/108
D916,015 S * 4/2021 Li D13/108
D920,569 S * 5/2021 Michaud D27/162
D922,675 S * 6/2021 Michaud D27/162
D922,945 S * 6/2021 Sun D13/108
D923,564 S * 6/2021 Liao D13/108
D926,675 S * 8/2021 Kwak D13/103

(57) **CLAIM**
The ornamental design for a battery housing, as shown and described.

OTHER PUBLICATIONS
Battery Housings. Design—© Questel) orbit.com. [Online PDF compilation of references] 57 pgs. Print Dates Range Nov. 13, 2020-May 15, 2015 [Retrieved Oct. 28, 2021].*

DESCRIPTION
FIG. 1 is a top, front, right side perspective view of a battery housing showing our new design;
FIG. 2 is a front elevation view thereof;
FIG. 3 is a rear elevation view thereof;
FIG. 4 is a right-side elevation view thereof;
FIG. 5 is a left-side elevation view thereof;
FIG. 6 is a top plan view thereof; and,
FIG. 7 is a bottom plan view thereof.
The dashed broken lines in the drawings represent unclaimed portions of the design, and the dash-dot broken lines represent boundaries of the claimed design. All of the broken lines form no part of the claimed design.

1 Claim, 7 Drawing Sheets



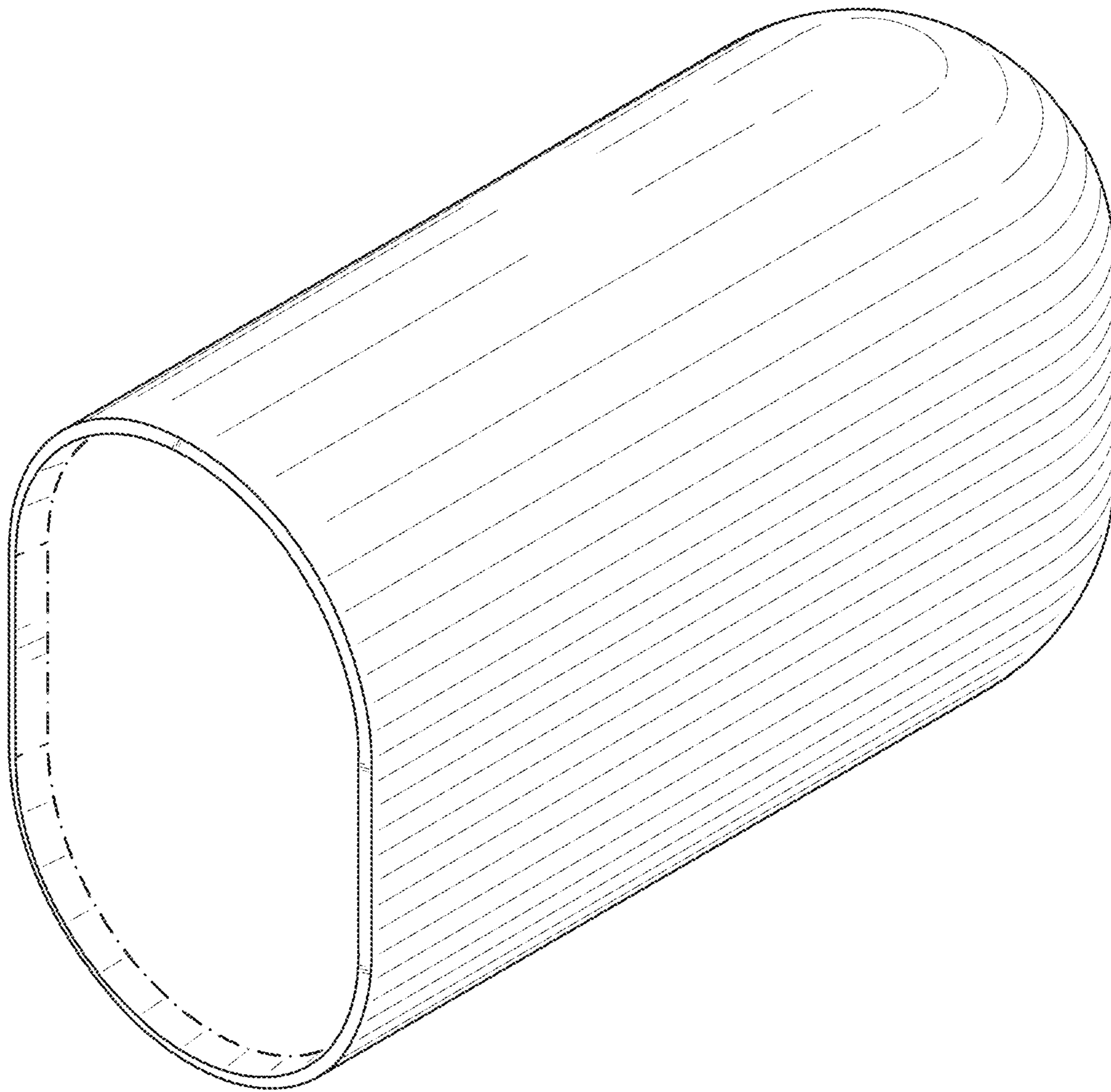


FIG. 1

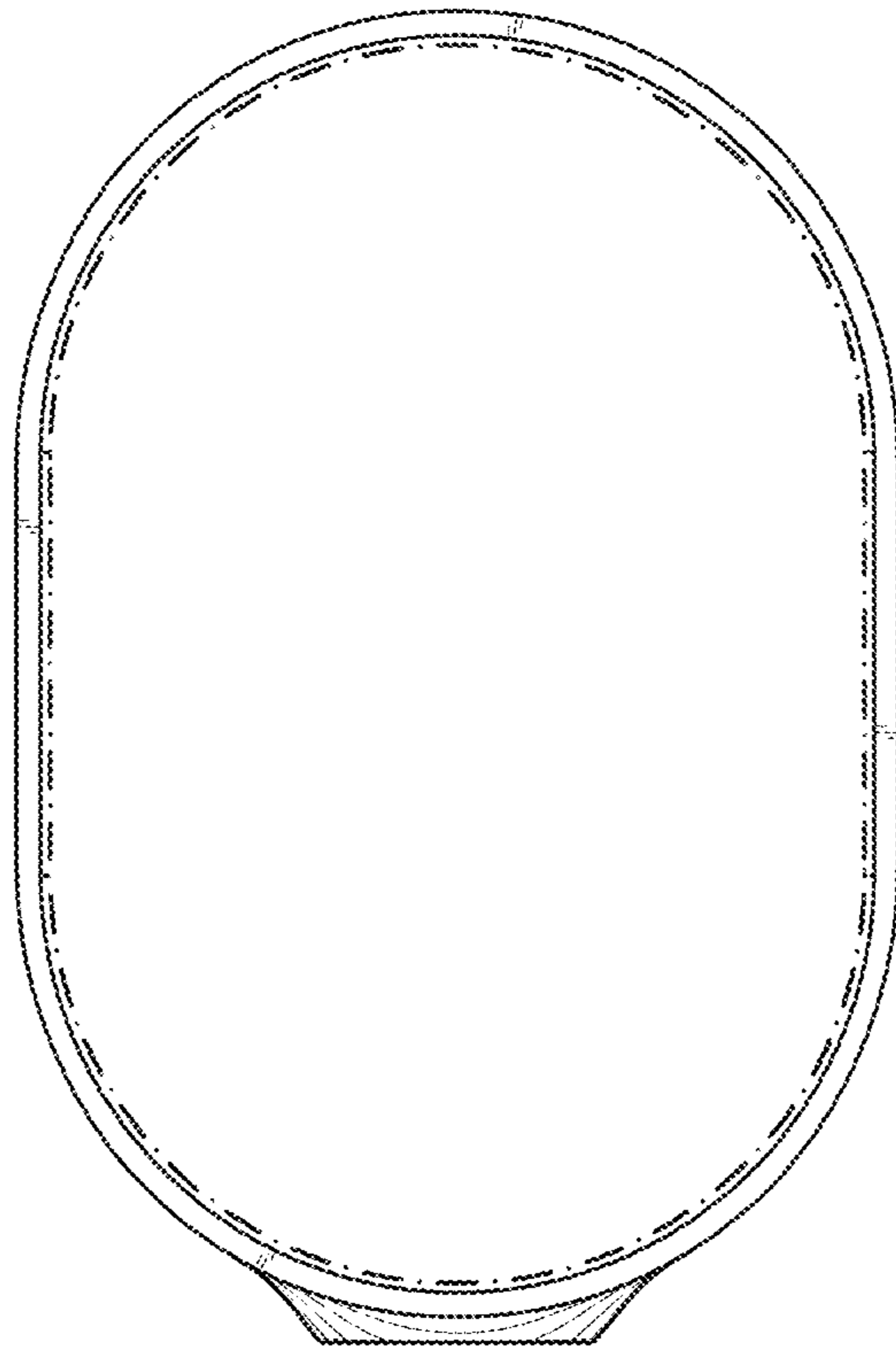


FIG. 2

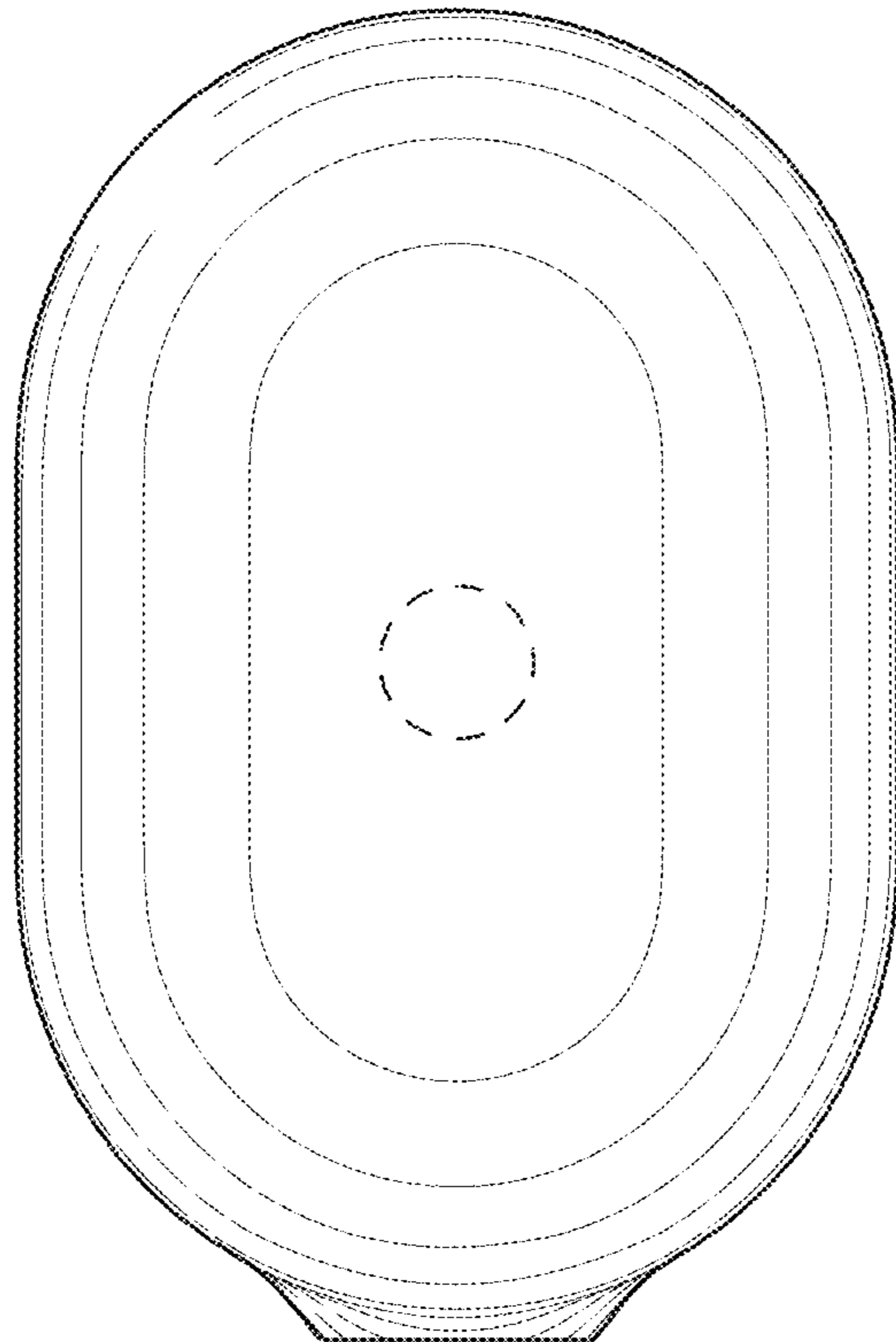


FIG. 3

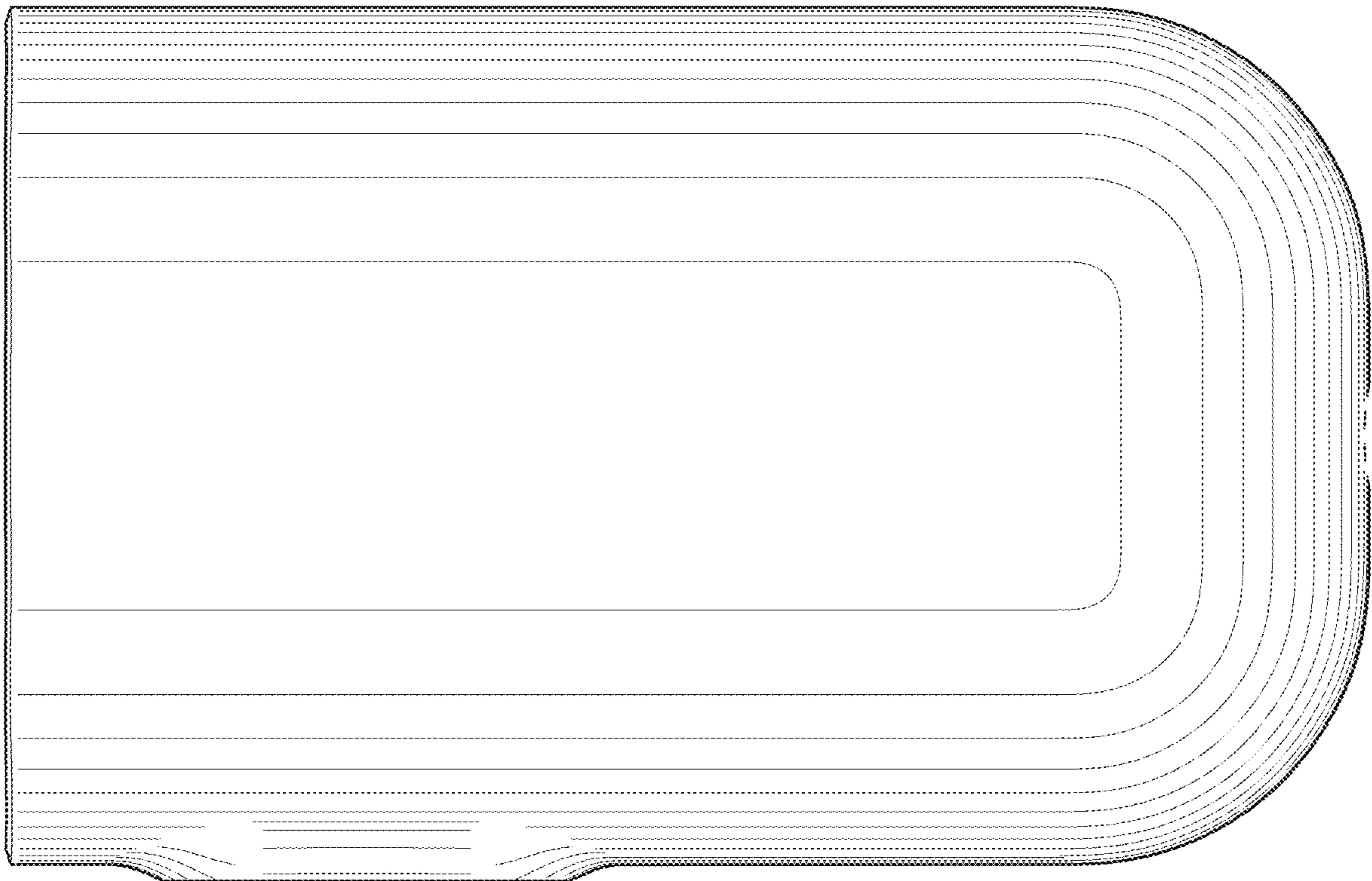


FIG. 4

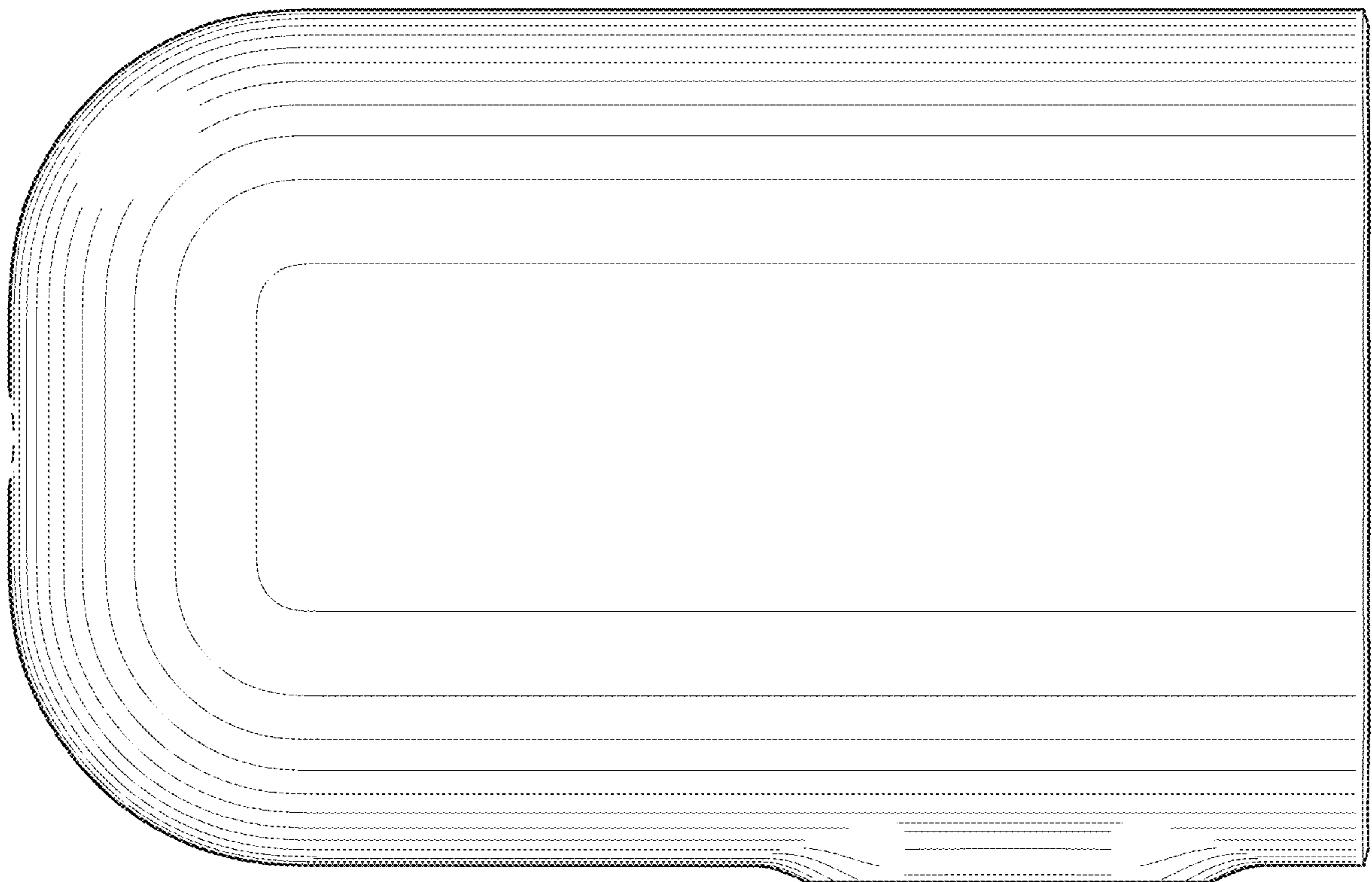


FIG. 5

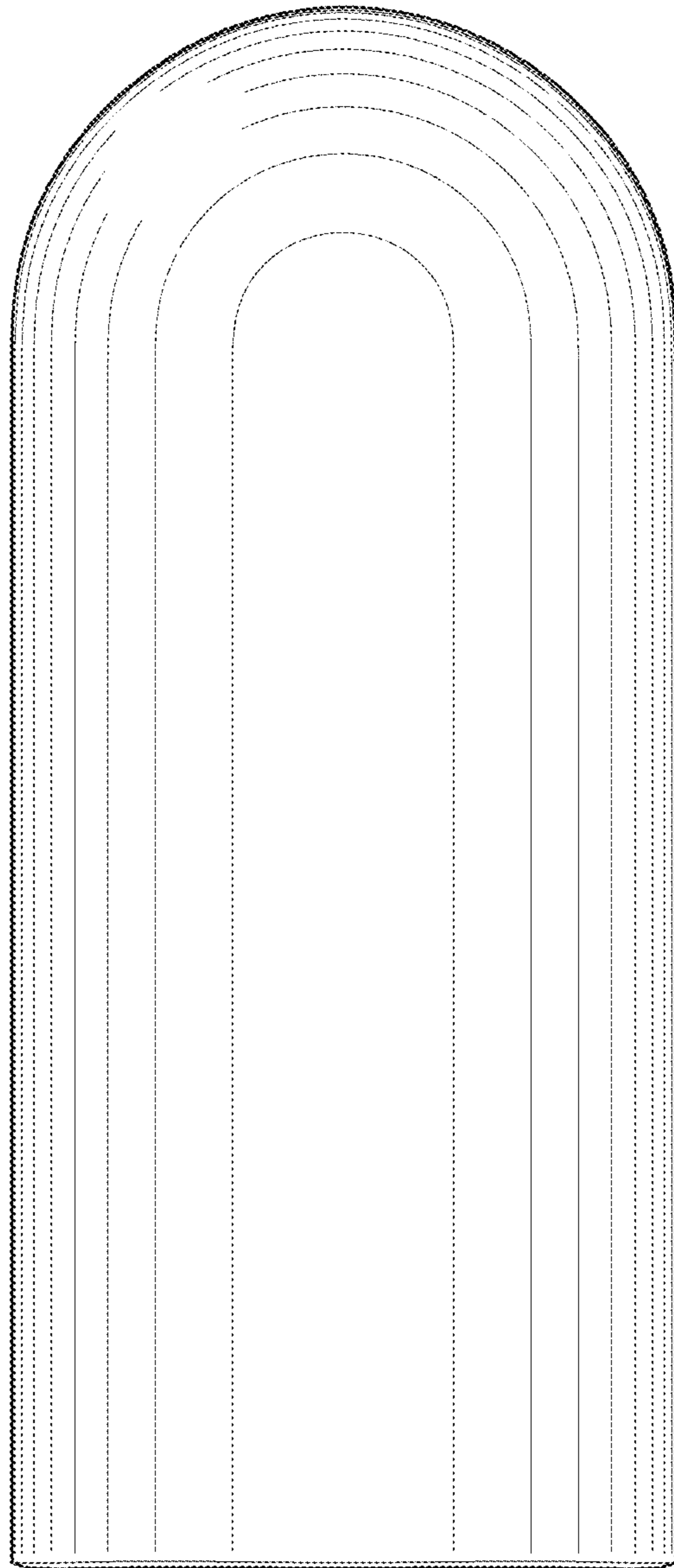


FIG. 6

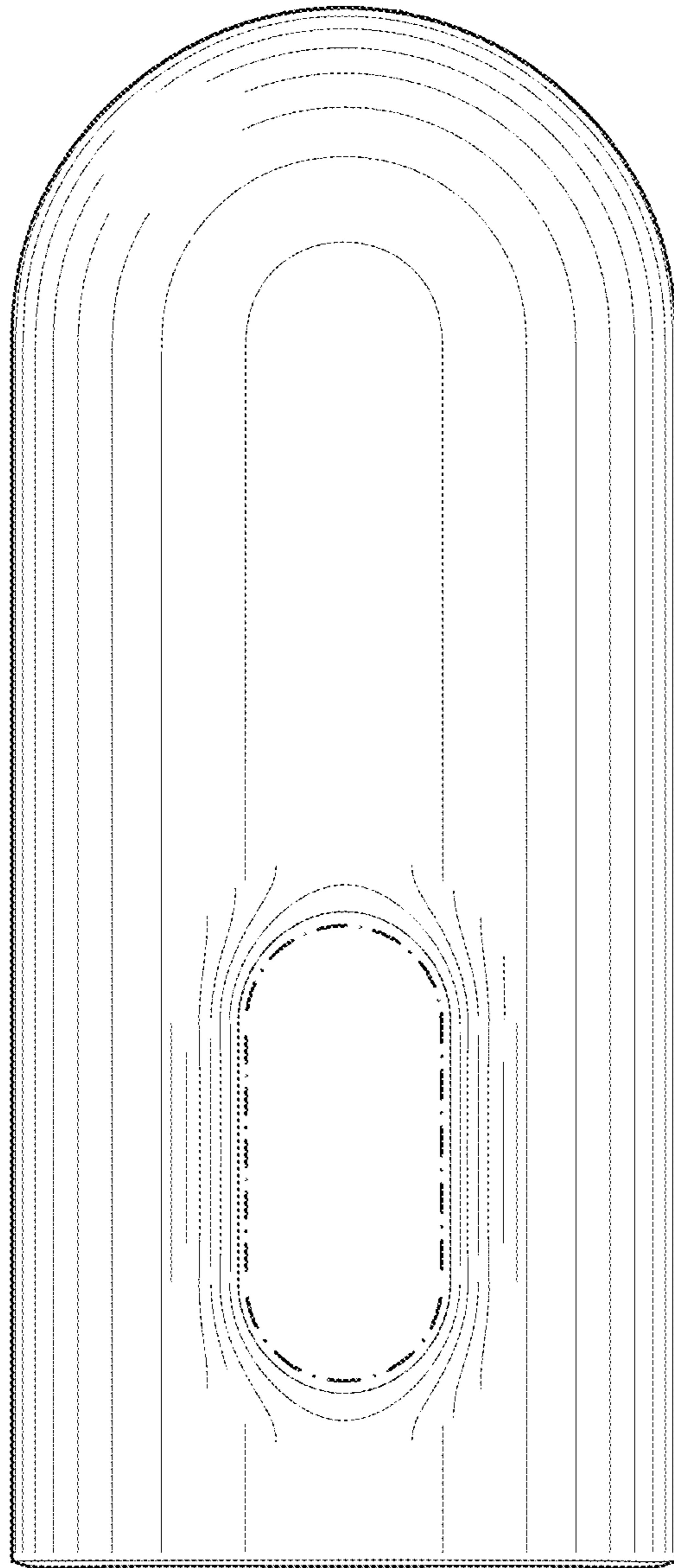


FIG. 7