

US00D947116S

(12) **United States Design Patent** (10) **Patent No.:** **US D947,116 S**
AI (45) **Date of Patent:** **** Mar. 29, 2022**

(54) **PORTABLE BATTERY**
(71) Applicant: **Dongguan Jili Intelligence Technology Co., Ltd.**, Guangdong (CN)
(72) Inventor: **Feng Ai**, Guangdong (CN)
(73) Assignee: **Dongguan Jili Intelligence Technology Co., Ltd.**, Guangdong (CN)
(**) Term: **15 Years**

D745,456 S * 12/2015 Fung D13/108
D764,404 S * 8/2016 Lau D13/103
D783,525 S * 4/2017 Gupta D13/108
D801,269 S * 10/2017 Cho D13/119
D813,162 S * 3/2018 Krantz D13/110
D821,306 S * 6/2018 Liu D13/107
D821,308 S * 6/2018 Chia D13/108
D823,239 S * 7/2018 Gupta D13/103
D824,329 S * 7/2018 Conocenti D13/103
D832,781 S * 11/2018 Nook D13/107
D836,064 S * 12/2018 Liu D13/102
D853,959 S * 7/2019 Miller D13/108
D872,011 S * 1/2020 Rao D13/107

(Continued)

(21) Appl. No.: **29/744,490**

(22) Filed: **Jul. 29, 2020**

(51) **LOC (13) Cl.** **13-02**

(52) **U.S. Cl.**
USPC **D13/103**

(58) **Field of Classification Search**
USPC D13/102-110, 118, 119, 153, 154, 184,
D13/199

CPC Y02E 60/10; Y02E 60/12; Y02E 60/122;
Y02E 60/124; Y02E 60/50; H01M 2/02;
H01M 2/022; H01M 2/0202; H01M
2/0207; H01M 2/0212; H01M 2/1061;
H01M 2/1022; H01M 2/1055; H01M
2/1066; H01M 2/105; H01M 2/20; H01M
2/202; H01M 2/204; H01M 2/206; H01M
2200/30; H01M 2250/30; H01M 2250/40;
H01M 10/44; H01M 10/46; H01M
10/465; H01M 10/482; H01M 10/4257;
H01M 10/0436; H01M 10/48; H02J
7/0034; H02J 7/0054; H02J 7/1423; H02J
7/00; H02J 7/0003; H02J 7/0011; H02J
7/0013; H02J 7/0055; H02J 7/0057;
Y02T 10/7005; Y02T 10/705; Y02T
10/7088

See application file for complete search history.

(56) **References Cited**

U.S. PATENT DOCUMENTS

D742,311 S * 11/2015 Miller D13/103
D742,312 S * 11/2015 Gupta D13/103

OTHER PUBLICATIONS

Amazon.com: Riapow Solar Charger. Date first available of Nov. 13, 2019. Retrieved from the internet at <<https://www.amazon.com/Wireless-26800mAh-Riapow-Waterproof-Flashlight/dp/B081C5TY2J/>>, Jan. 27, 2022. 1 page. (Year: 2019).*

(Continued)

Primary Examiner — Christy Nemeth

(74) *Attorney, Agent, or Firm* — ScienBiziP, P.C.

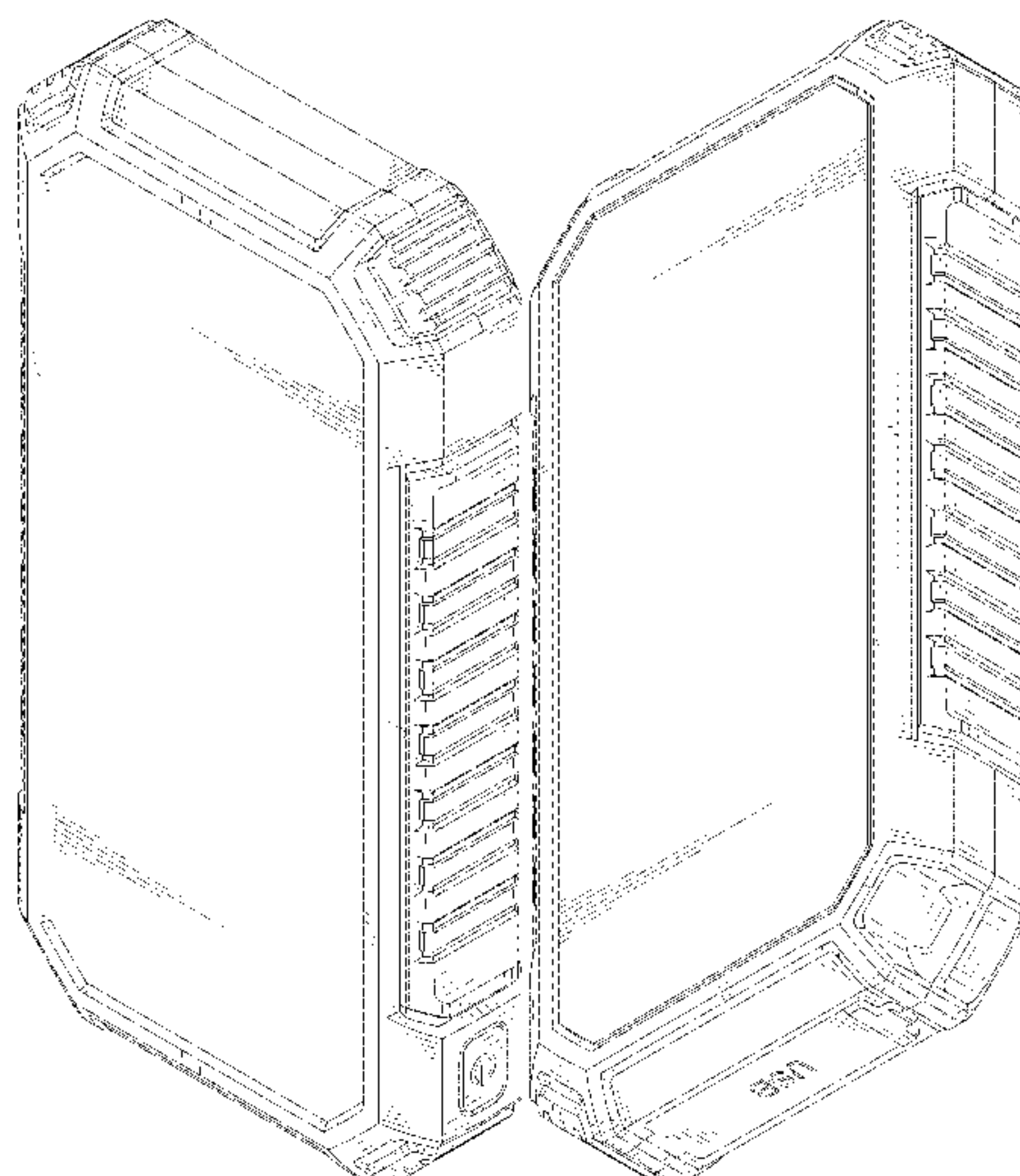
(57) **CLAIM**

The ornamental design for a portable battery, as shown and described.

DESCRIPTION

FIG. 1 is a front perspective view of a portable battery, showing my design.
FIG. 2 is a rear perspective view thereof.
FIG. 3 is a front elevation view thereof.
FIG. 4 is a rear elevation view thereof.
FIG. 5 is a left side elevation view thereof.
FIG. 6 is a right side elevation view thereof.
FIG. 7 is a top plan view thereof; and,
FIG. 8 is a bottom plan view thereof.

1 Claim, 8 Drawing Sheets



(56)

References Cited

U.S. PATENT DOCUMENTS

D874,396	S	*	2/2020	Rao	D13/107
D888,658	S	*	6/2020	Urasini	D13/103
D892,727	S	*	8/2020	Gan	D13/103
D896,749	S	*	9/2020	Wu	D13/107
D899,354	S	*	10/2020	Liu	D13/102
D902,851	S	*	11/2020	Wu	D13/107
D911,938	S	*	3/2021	Zhou	D13/103
D911,939	S	*	3/2021	Roberts	D13/103
D918,828	S	*	5/2021	Liu	D13/102
D918,830	S	*	5/2021	Chen	D13/103
D919,572	S	*	5/2021	Lei	D13/110
D926,123	S	*	7/2021	Zhu	D13/107
D926,124	S	*	7/2021	Zhu	D13/107
D930,578	S	*	9/2021	Zheng	D13/110
D934,793	S	*	11/2021	Shu	D13/107
D937,762	S	*	12/2021	Chung	D13/107
D937,763	S	*	12/2021	Wang	D13/107

OTHER PUBLICATIONS

Amazon.com: KaruSale Solar Power Bank. Date first available of Dec. 7, 2017. Retrieved from the internet at <<https://www.amazon.com/50000mah-Battery-Charger-Waterproof-Orange/dp/B07C82CZCB/>>, Jan. 27, 2022. 1 page. (Year: 2017).*

* cited by examiner

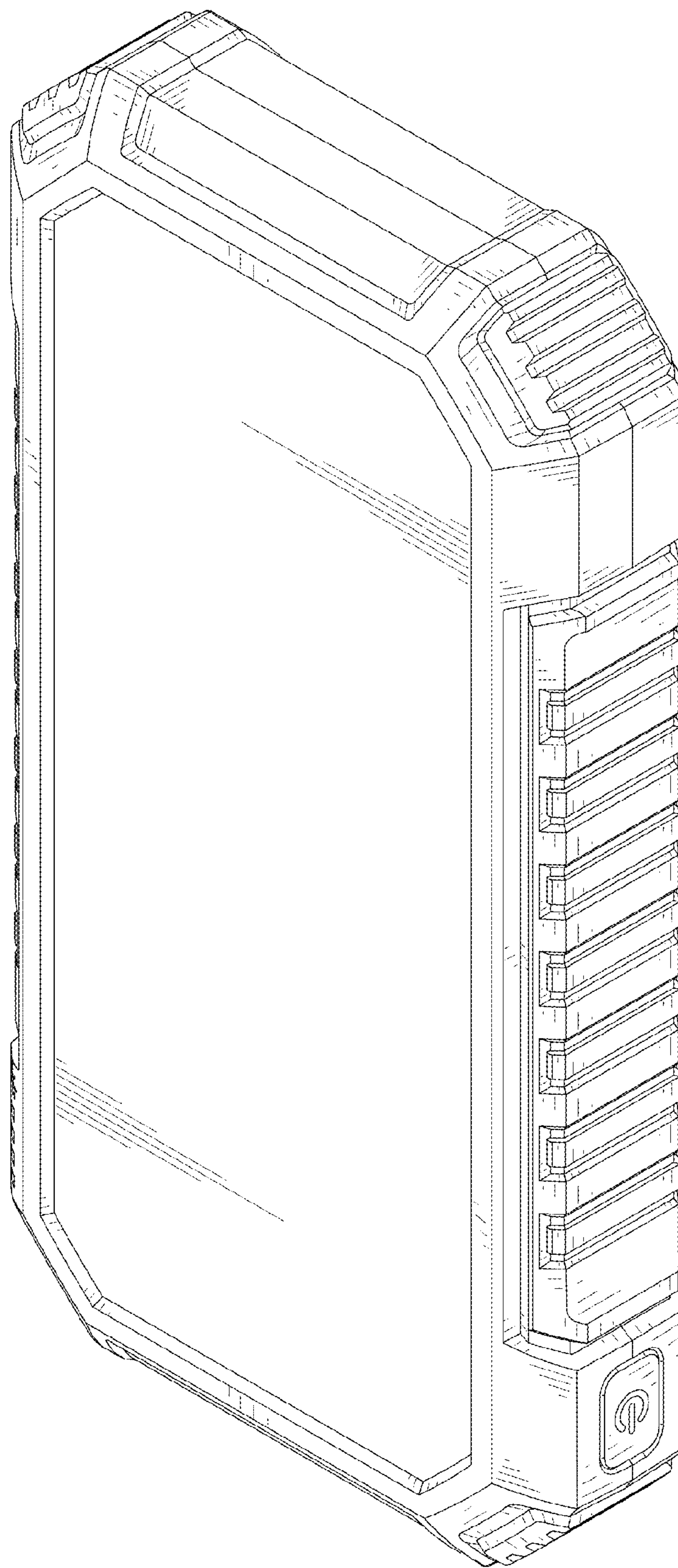


FIG. 1

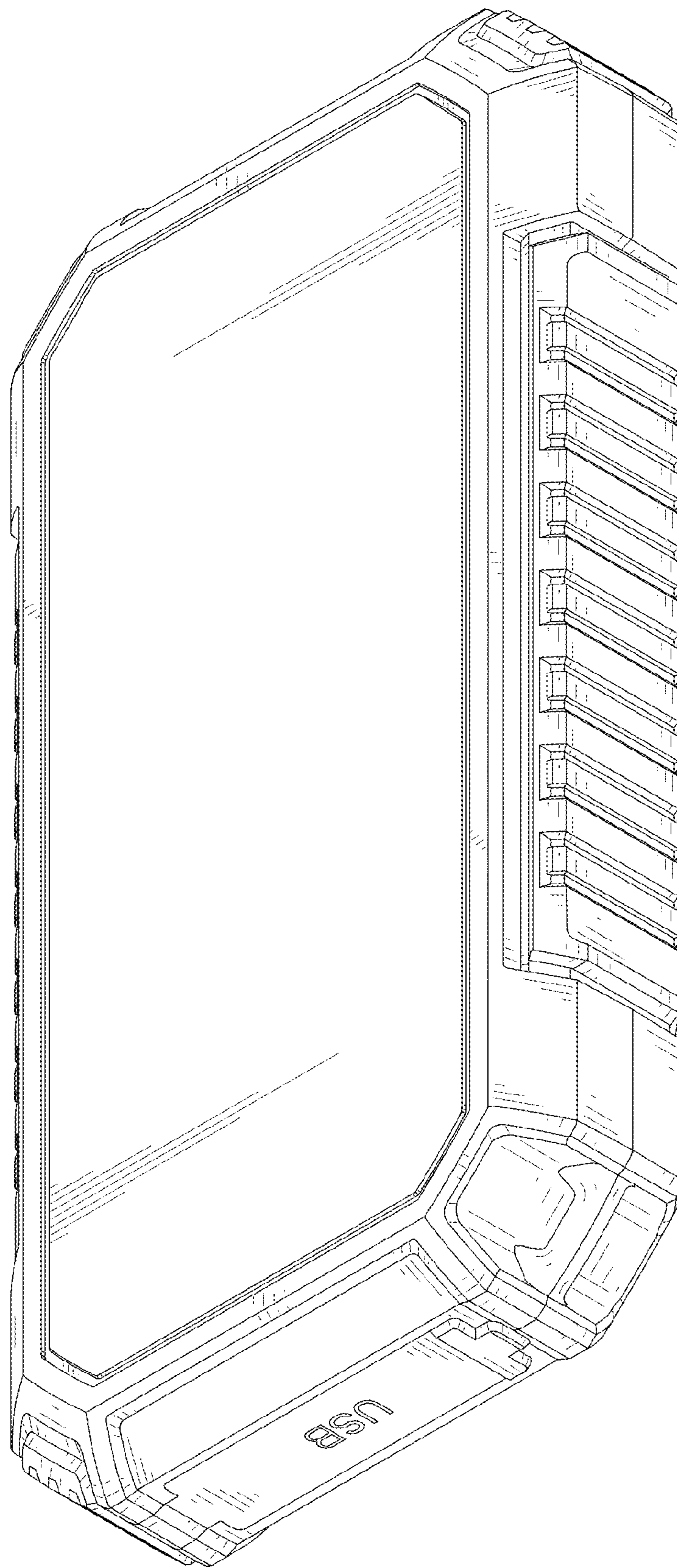


FIG. 2

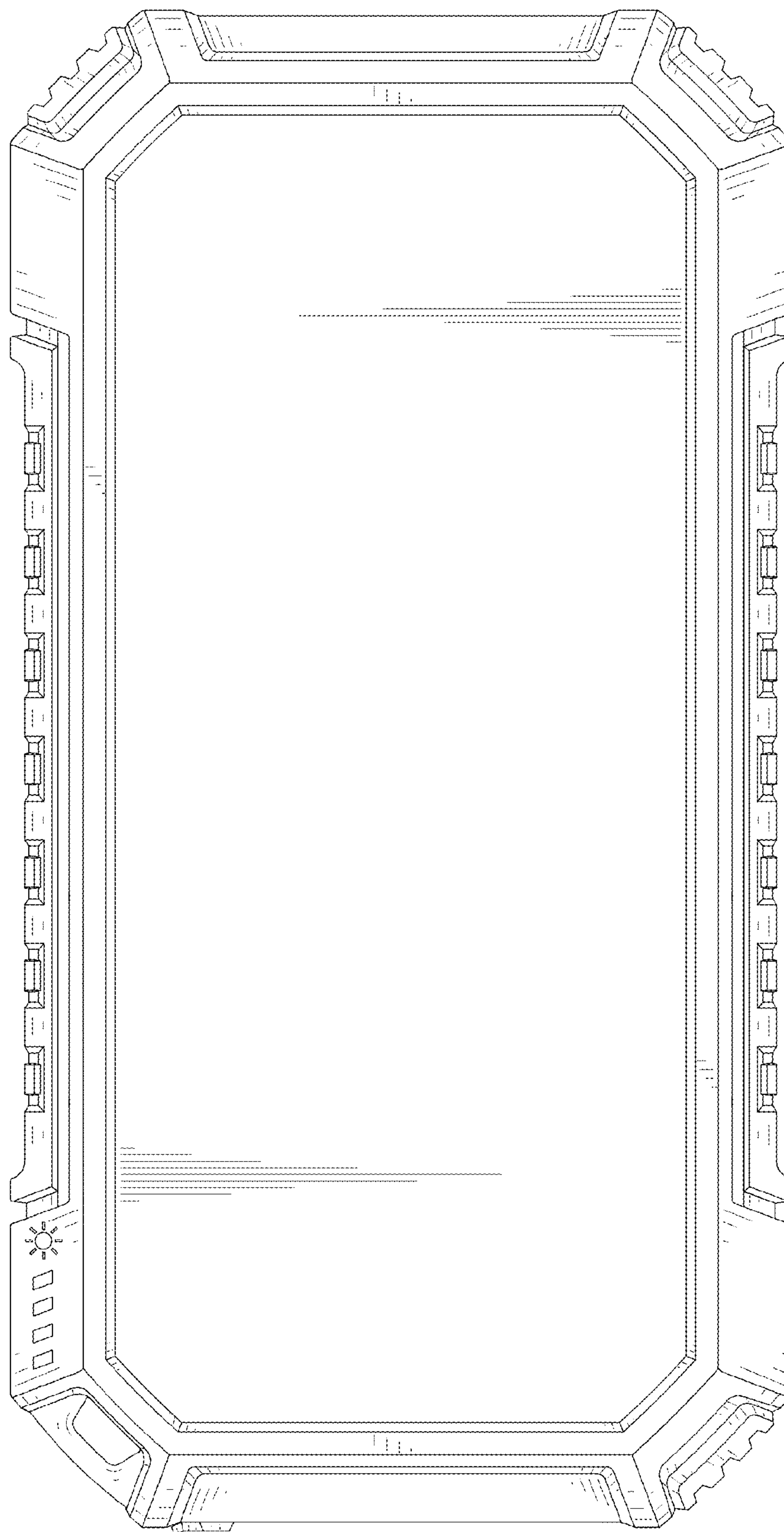


FIG. 3

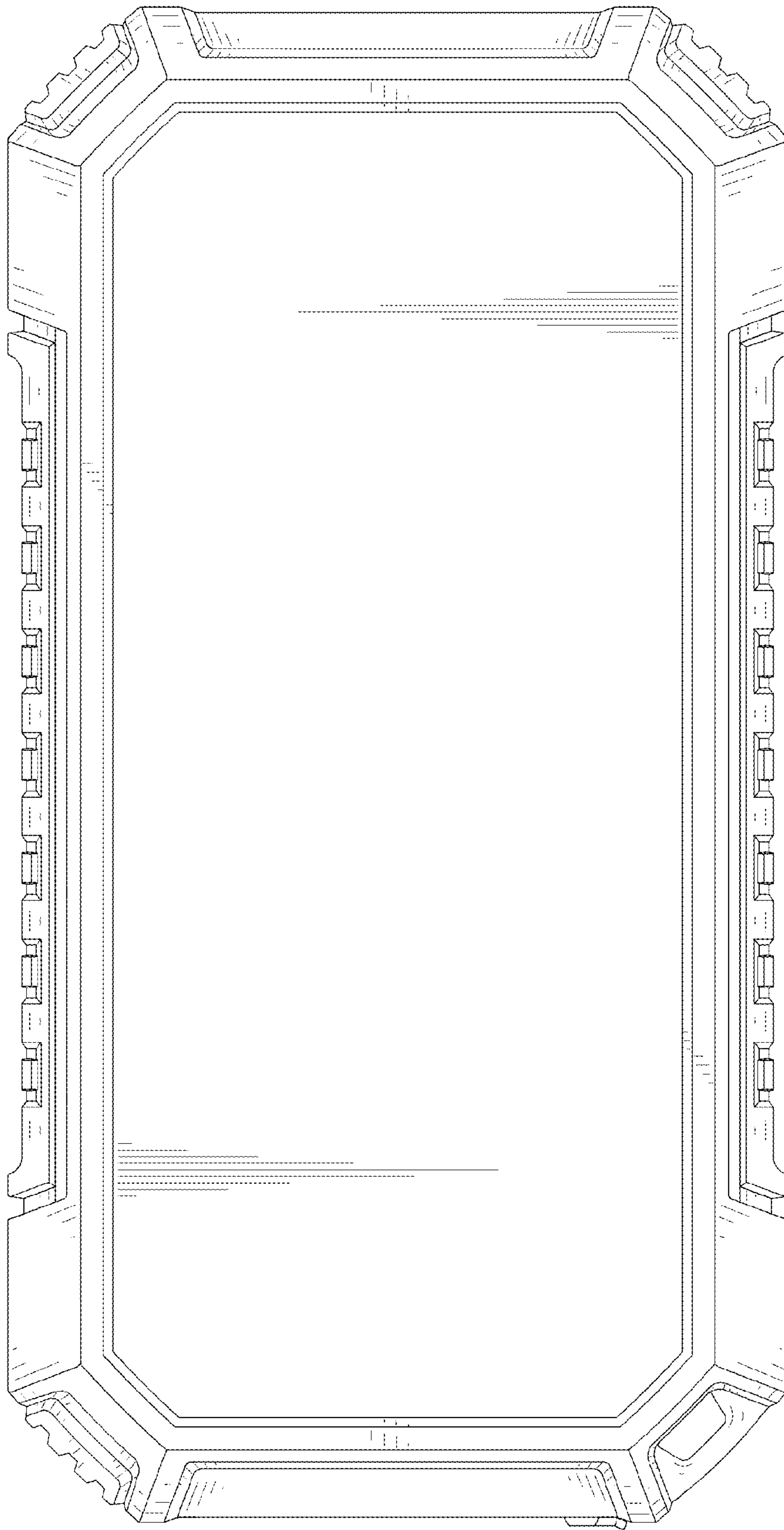


FIG. 4

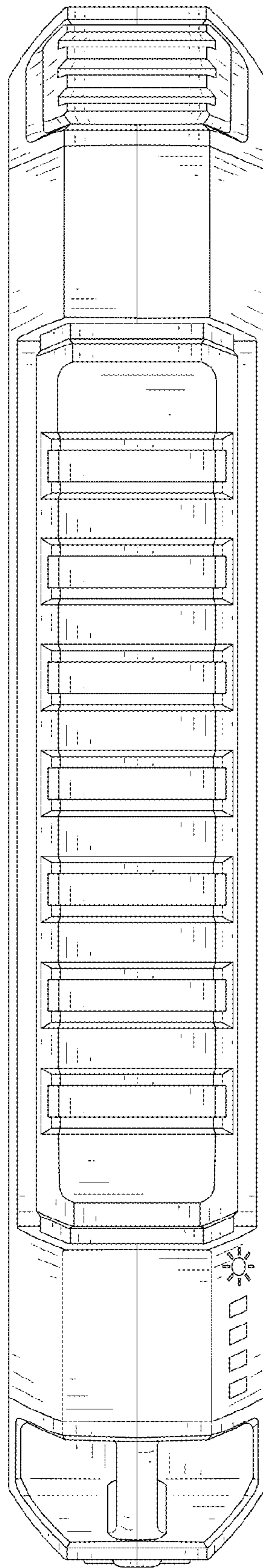


FIG. 5

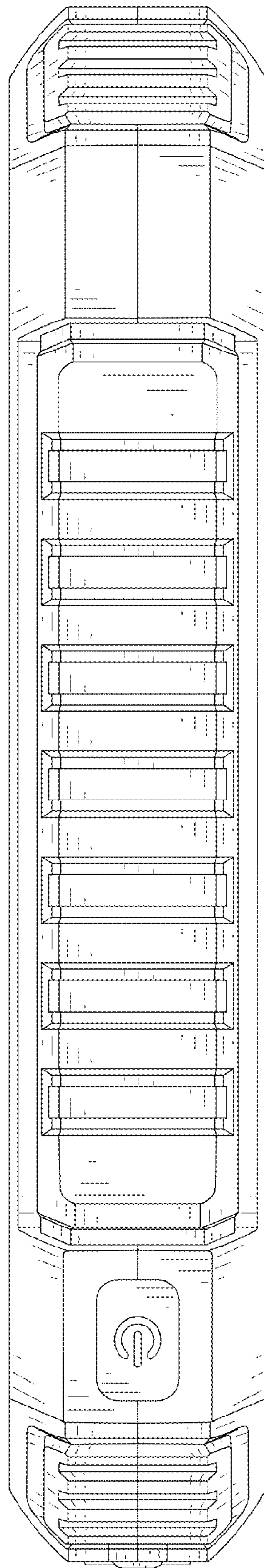


FIG. 6

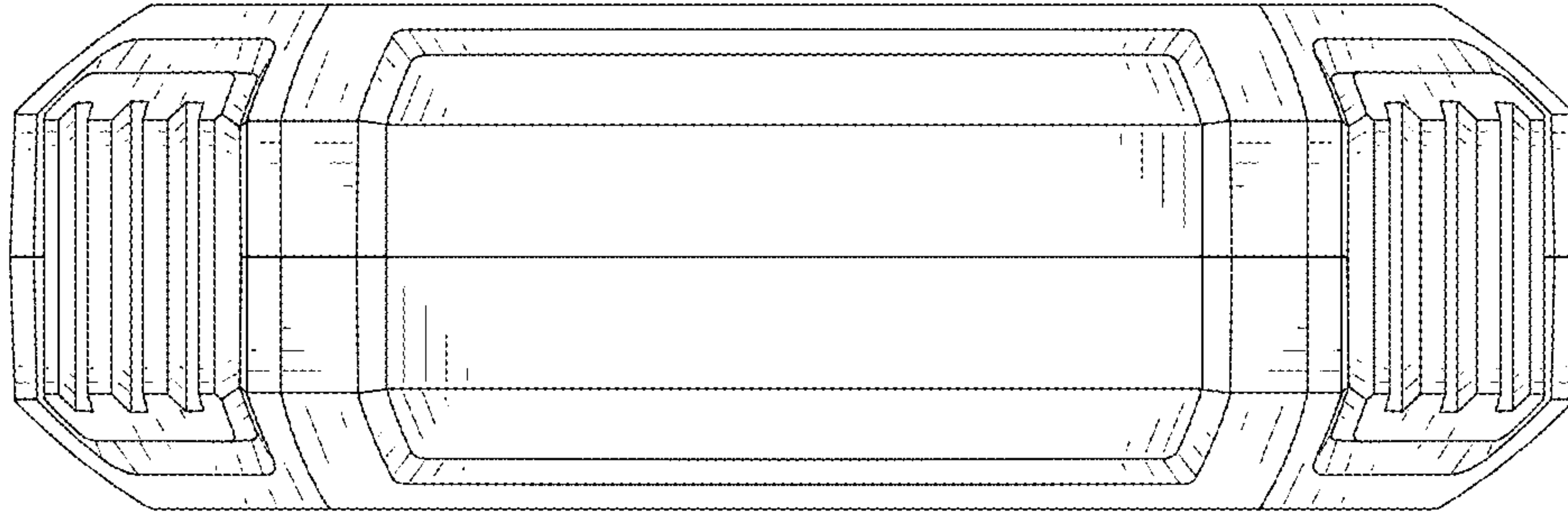


FIG. 7

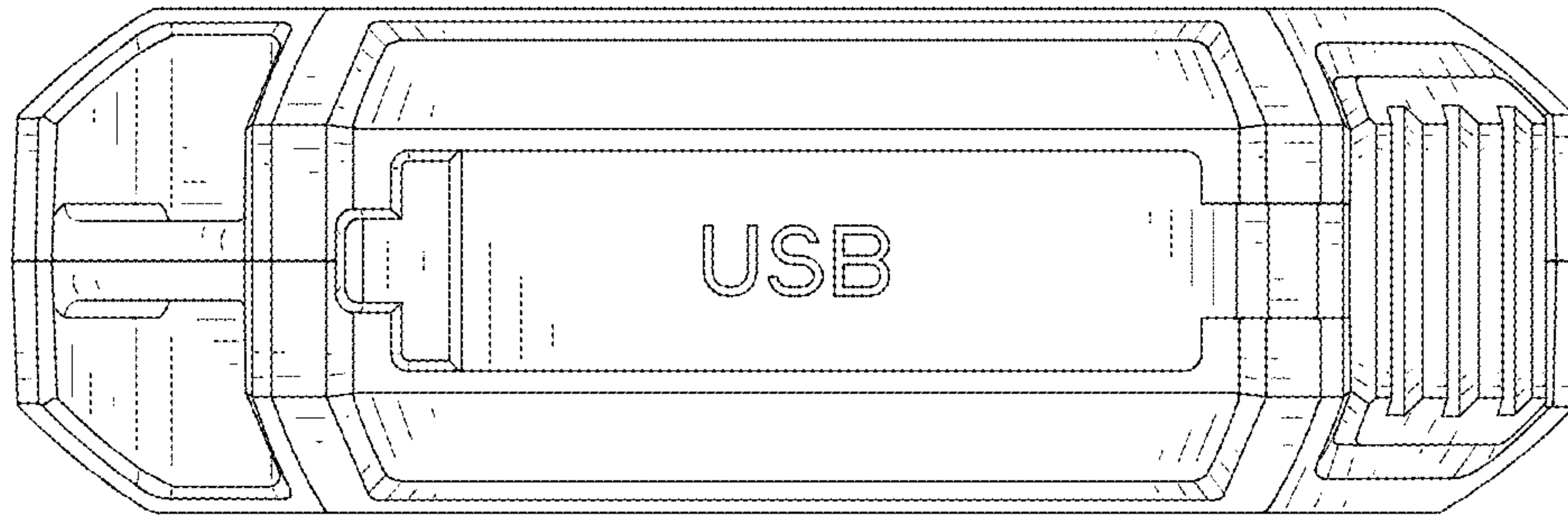


FIG. 8