



US00D947115S

(12) **United States Design Patent**
Liao

(10) **Patent No.:** **US D947,115 S**
(45) **Date of Patent:** **** Mar. 29, 2022**

(54) **PORTABLE POWER SOURCE**

(71) Applicant: **GUANGDONG GOPOD GROUP HOLDING CO., LTD**, Shenzhen (CN)

(72) Inventor: **Zhuowen Liao**, Shenzhen (CN)

(73) Assignee: **Guangdong Gopod Group Holding Co., Ltd.**, Shenzhen (CN)

(**) Term: **15 Years**

(21) Appl. No.: **29/737,936**

(22) Filed: **Jun. 12, 2020**

(30) **Foreign Application Priority Data**

May 14, 2020 (CN) 202030219783.9

(51) **LOC (13) Cl.** **13-02**

(52) **U.S. Cl.**
USPC **D13/103**

(58) **Field of Classification Search**

USPC D13/102–106, 110, 118, 119, 184, 199
CPC Y02E 60/10; H01M 6/00; H01M 6/14;
H01M 6/05; H01M 6/10; H01M 6/52
See application file for complete search history.

(56) **References Cited**

U.S. PATENT DOCUMENTS

D877,070 S *	3/2020	Lemelson	D13/108
D881,807 S *	4/2020	Xu	D13/108
D883,195 S *	5/2020	Jiang	D13/103
D885,327 S *	5/2020	Leeds-Frank	D13/103
D886,054 S *	6/2020	Liao	D13/108
D890,092 S *	7/2020	Jiang	D13/108
D903,588 S *	12/2020	Shoemake	D13/108
D908,610 S *	1/2021	Woo	D13/103
D916,015 S *	4/2021	Li	D13/108
D917,391 S *	4/2021	Su	D13/108
D922,945 S *	6/2021	Sun	D13/108

(Continued)

OTHER PUBLICATIONS

“Portable Chargers.” (Design—© Questel) orbit.com. [Online PDF compilation of references] 44 pgs. Print Dates Range Aug. 16, 2021-Aug. 2, 2015 [Retrieved Nov. 2, 2021].*

(Continued)

Primary Examiner — Manpreet S Matharu

Assistant Examiner — Suzanne E Tisdell

(74) *Attorney, Agent, or Firm* — Wolf, Greenfield & Sacks, P.C.

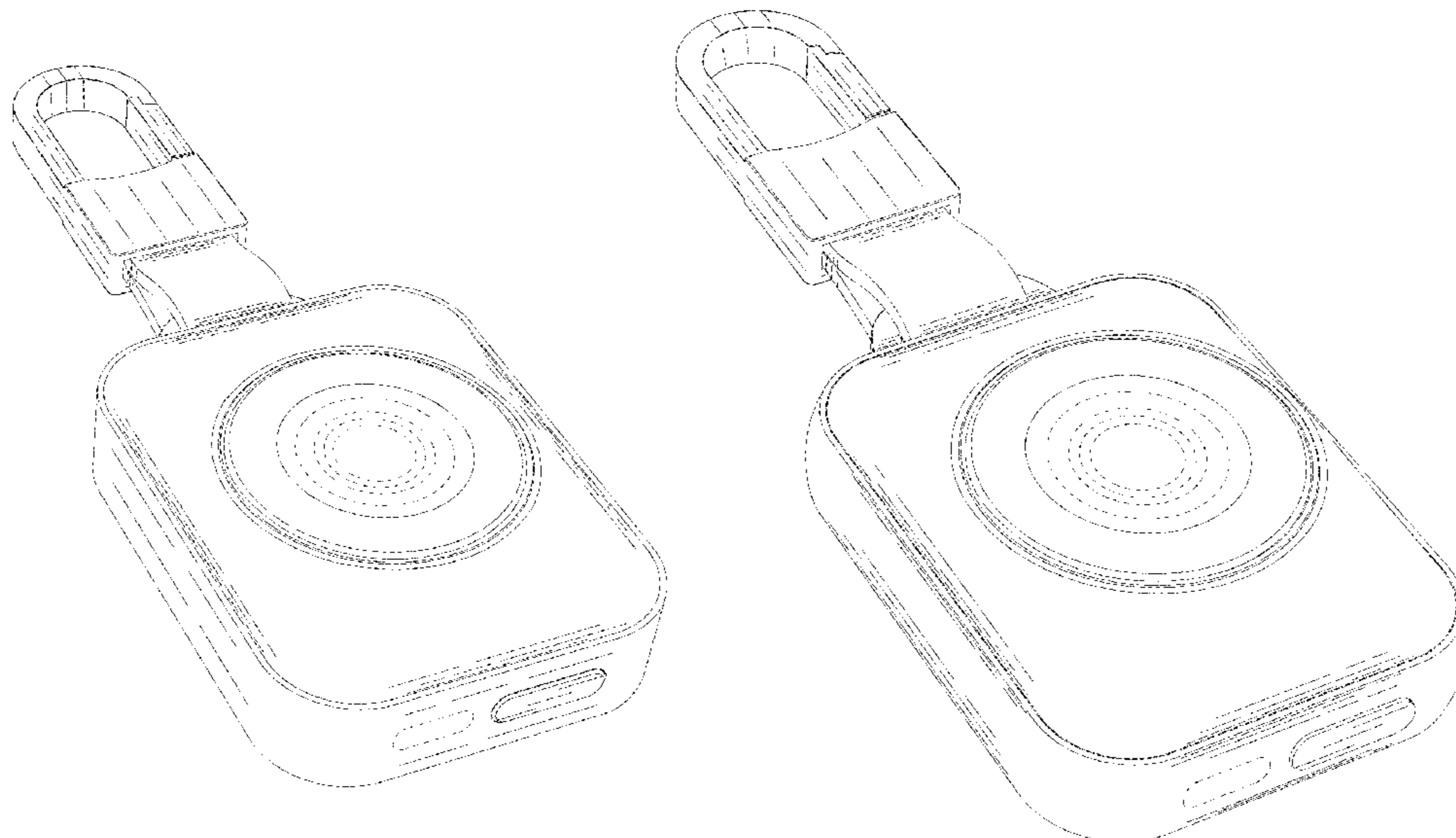
(57) **CLAIM**

The ornamental design for a “portable power source”, as shown and described.

DESCRIPTION

FIG. 1 is a rear perspective view of a first embodiment of a portable power source showing the new design;
FIG. 2 is a front perspective view thereof;
FIG. 3 is a front view thereof;
FIG. 4 is a rear view thereof;
FIG. 5 is a left side view thereof;
FIG. 6 is a right side view thereof;
FIG. 7 is a top view thereof;
FIG. 8 is a bottom view thereof;
FIG. 9 is a rear perspective view of a second embodiment of a portable power source showing the new design;
FIG. 10 is a front perspective view of the second embodiment;
FIG. 11 is a front view of the second embodiment;
FIG. 12 is a rear view of the second embodiment;
FIG. 13 is a left side view of the second embodiment;
FIG. 14 is a right side view of the second embodiment;
FIG. 15 is a top view of the second embodiment; and,
FIG. 16 is a bottom view of the second embodiment.
The broken lines in the figures depict portions of the portable power source that form no part of the claimed design.

1 Claim, 16 Drawing Sheets



(56)

References Cited

U.S. PATENT DOCUMENTS

D923,564 S * 6/2021 Liao D13/108
D924,132 S * 7/2021 Turksu D13/108

OTHER PUBLICATIONS

Miles, Stuart. "Apple Watch Series 6 Review: Sensors for Sensor's Sake?" Sep. 30, 2020. Pocket-lint. <https://www.pocket-lint.com/smartwatches/reviews/apple/153850-apple-watch-series-6-review>.*

Portable Wireless Charger for Apple Watch 1000mAh Keychain iWatch Travel Charger. Nov. 5, 2018. Amazon. https://www.amazon.com/Portable-Wireless-Pocket-Sized-Indicating-Certified/dp/B08F82SJ82/ref=asc_df_B08F82SJ82/?tag=hyprod-20&linkCode=df0&hvadid=459679020701&hvpos=&hvnetw=g&hvrnd=10741310638585687455&hvpone=.*

[https://www.amazon.com/MQOUNY-Wireless-Portable-Magnetic-Compatible/dp/B07W3KZP65/ref=asc_df_B07W3KZP65/?tag=hyprod-20&linkcode=df0&hvadid=366315040767&hvpos=&hvnetw=g&hvrnd=10741310638585687455&hvpone=&hvptwo=&hvqmt=&hvdev=c&hvdvcmdl=&hvlocint=&hvloMQOUNY for Apple Watch Wireless Charger](https://www.amazon.com/MQOUNY-Wireless-Portable-Magnetic-Compatible/dp/B07W3KZP65/ref=asc_df_B07W3KZP65/?tag=hyprod-20&linkcode=df0&hvadid=366315040767&hvpos=&hvnetw=g&hvrnd=10741310638585687455&hvpone=&hvptwo=&hvqmt=&hvdev=c&hvdvcmdl=&hvlocint=&hvloMQOUNY%20for%20Apple%20Watch%20Wireless%20Charger). Nov. 1, 2019. Amazon.*

* cited by examiner

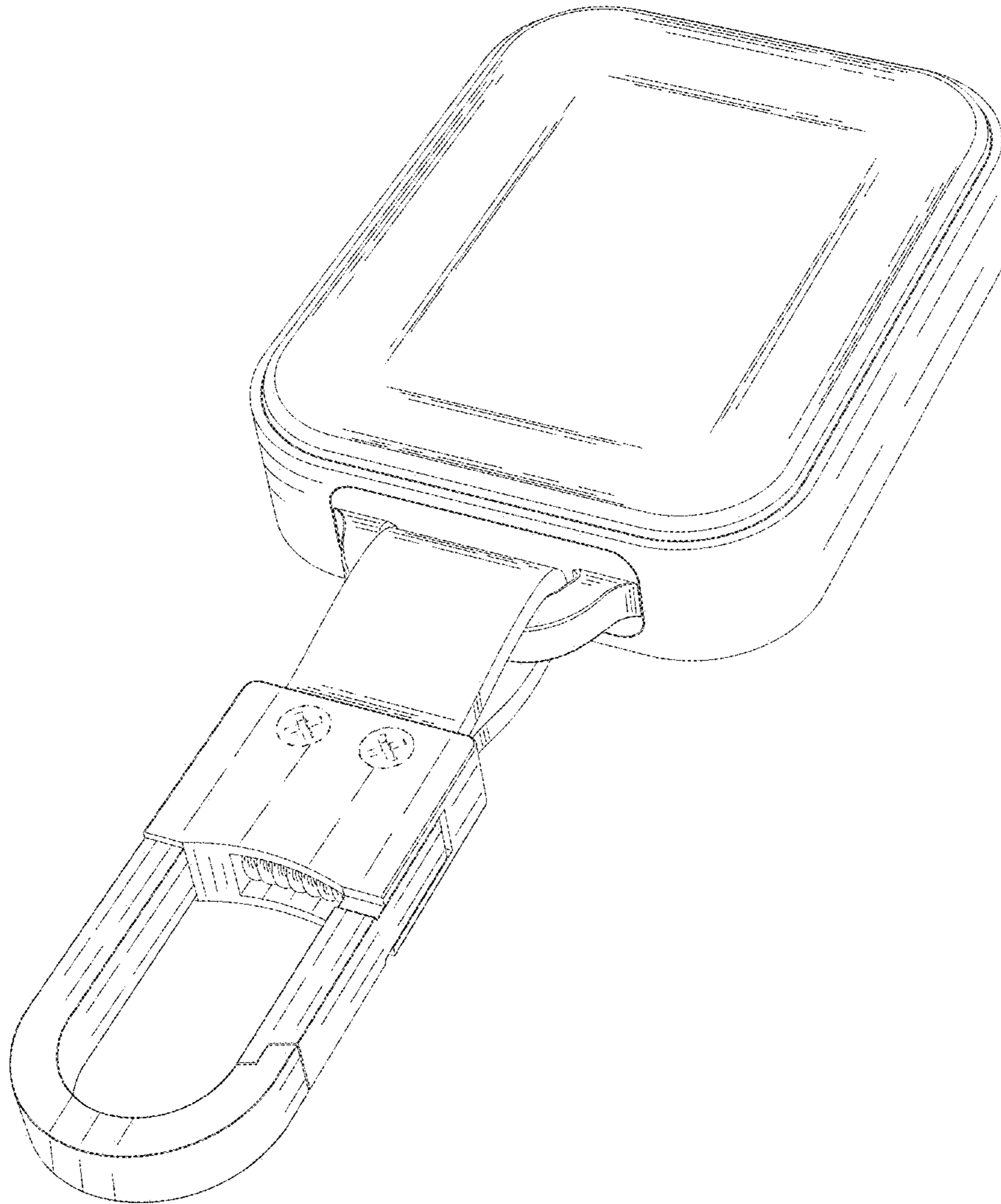


FIG. 1

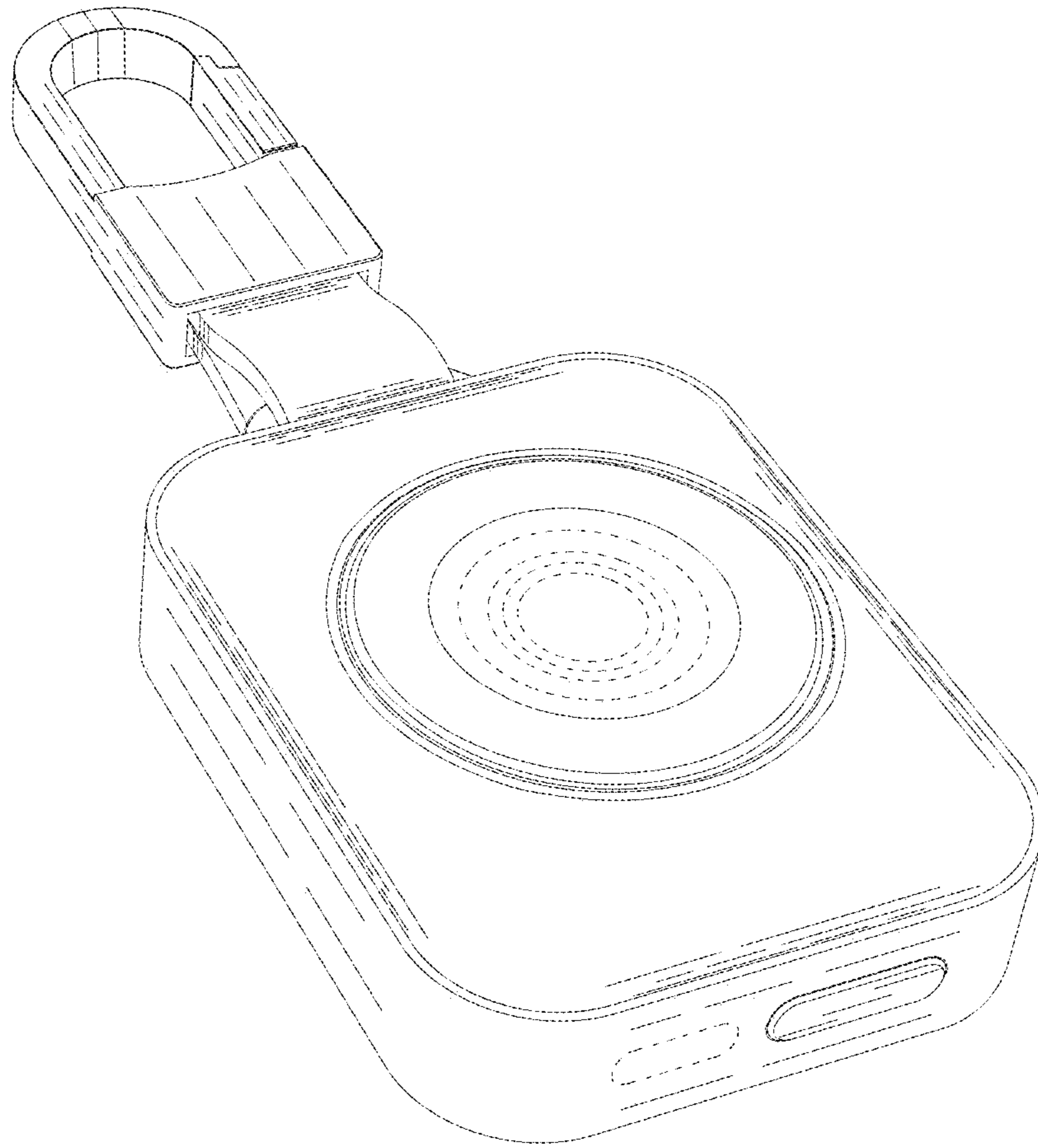


FIG. 2

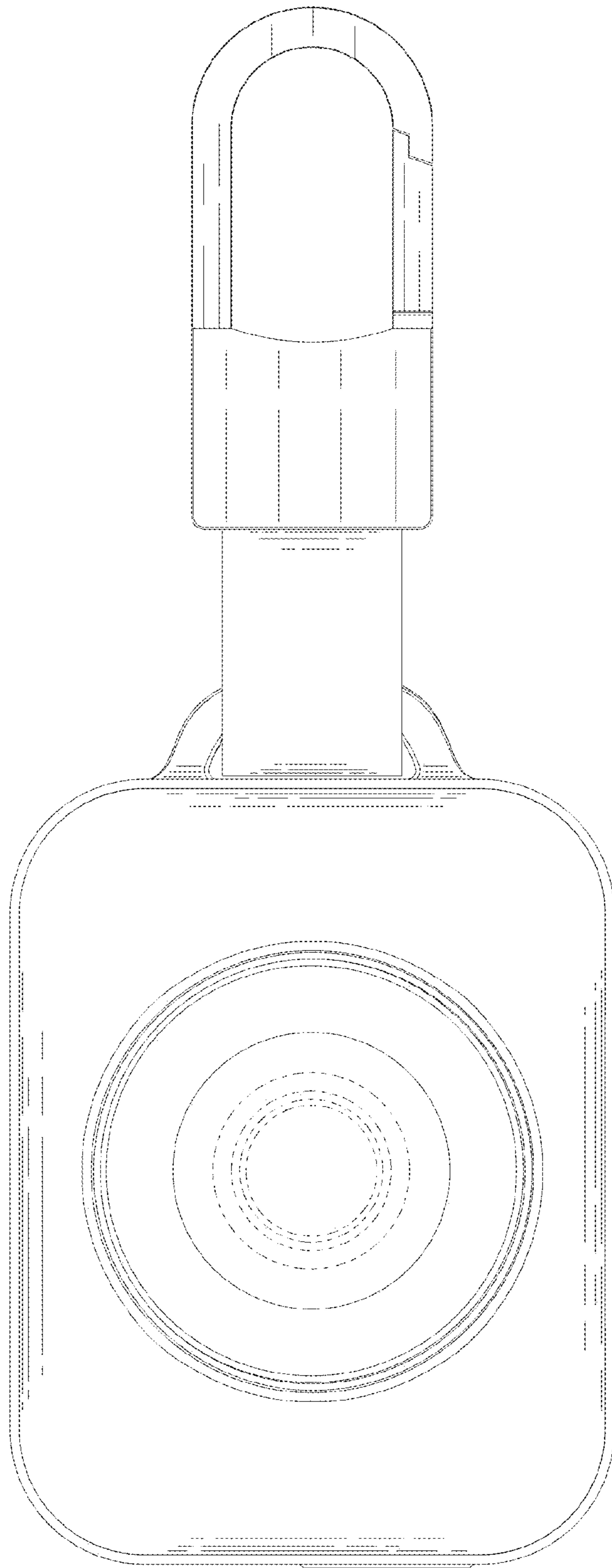


FIG. 3

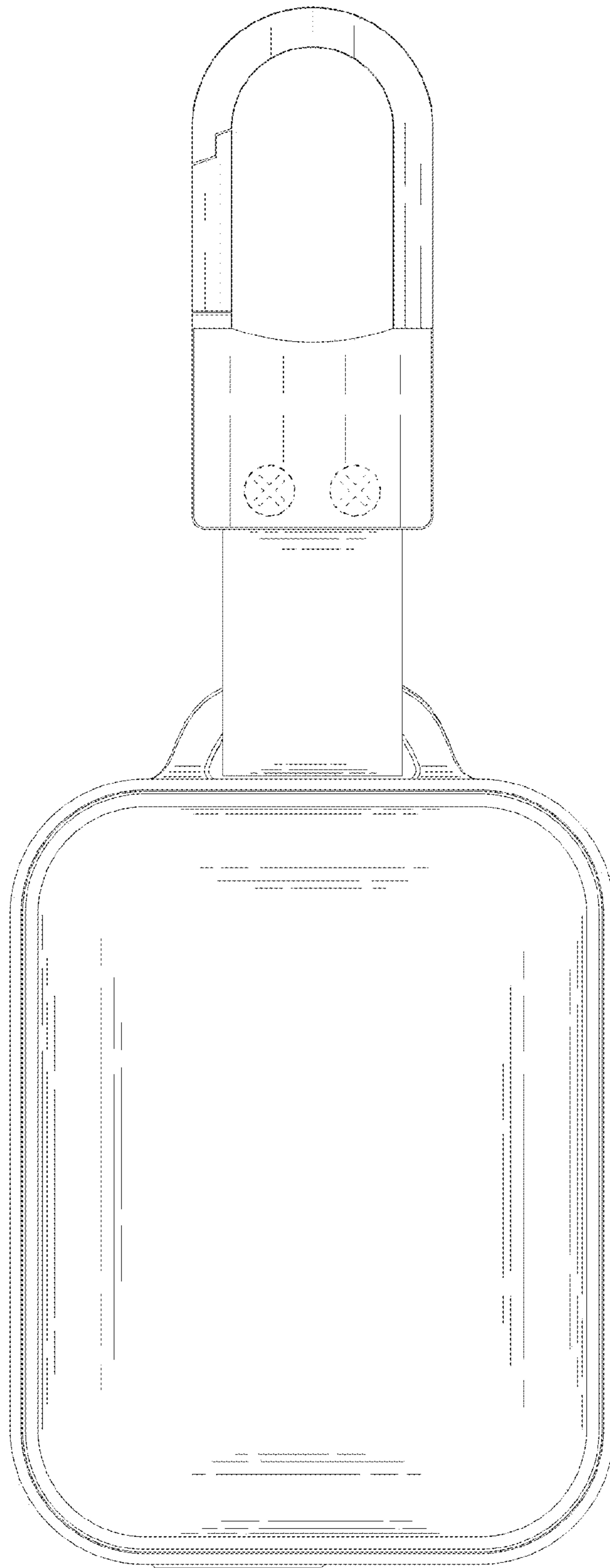


FIG. 4

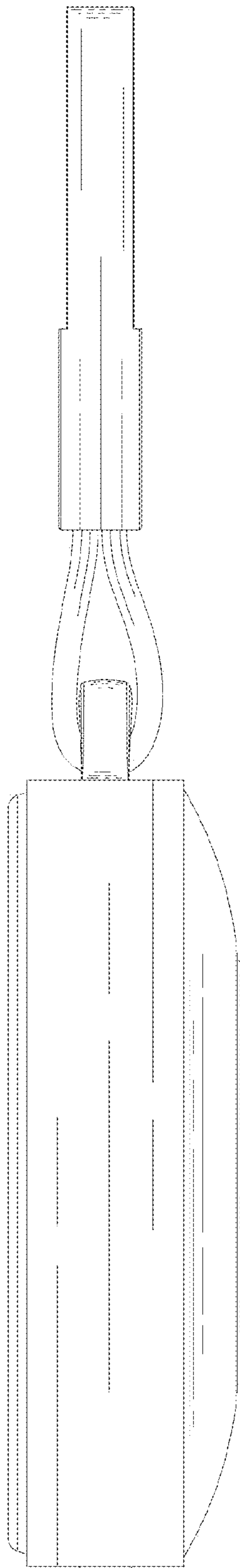


FIG. 5

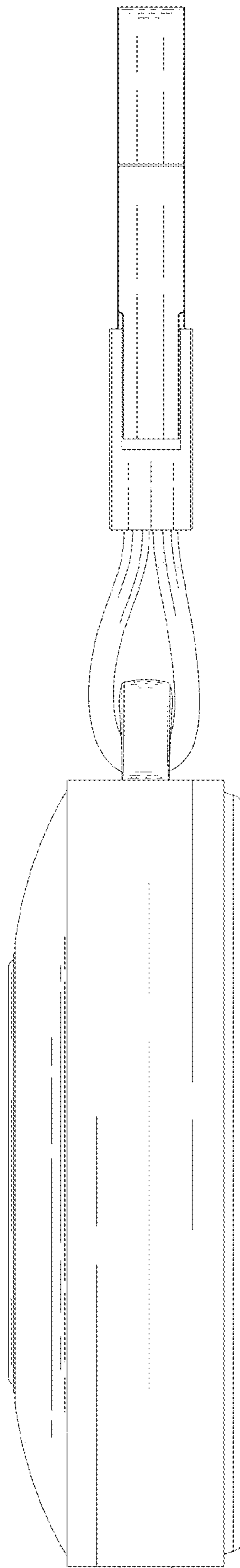


FIG. 6

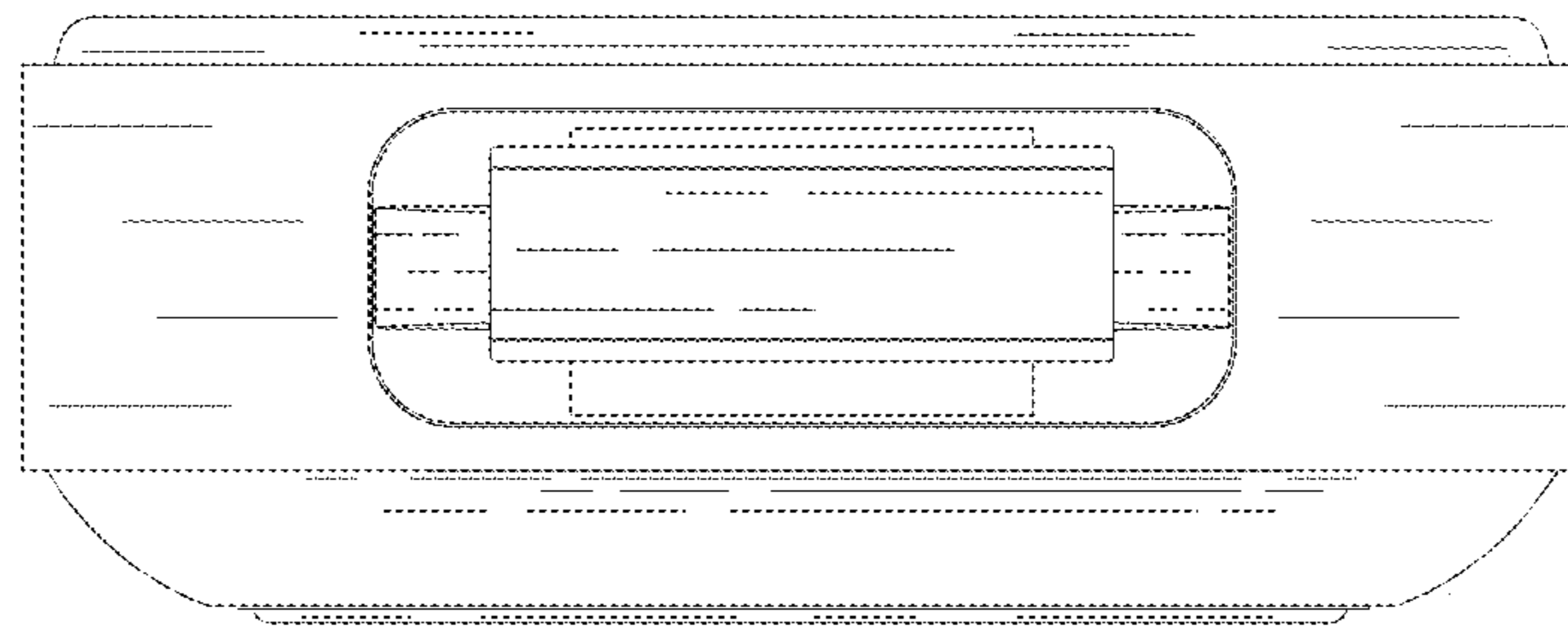


FIG. 7

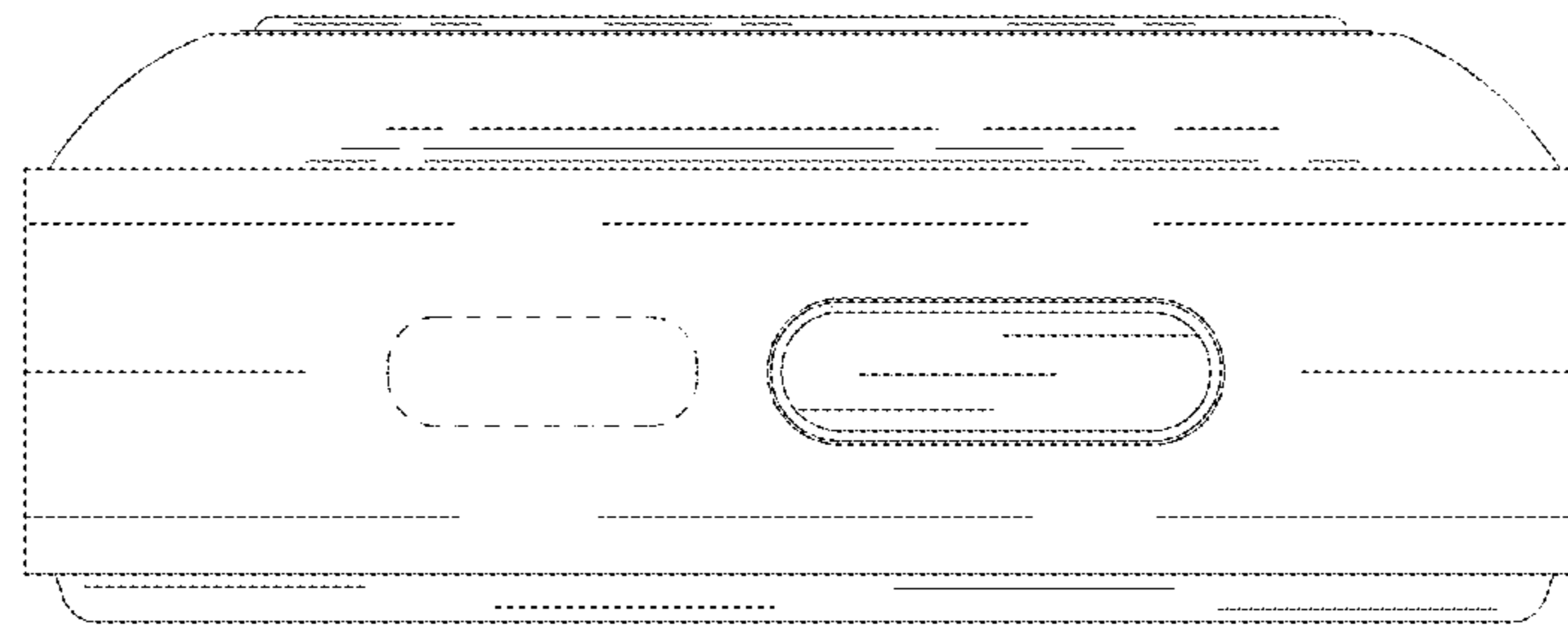


FIG. 8

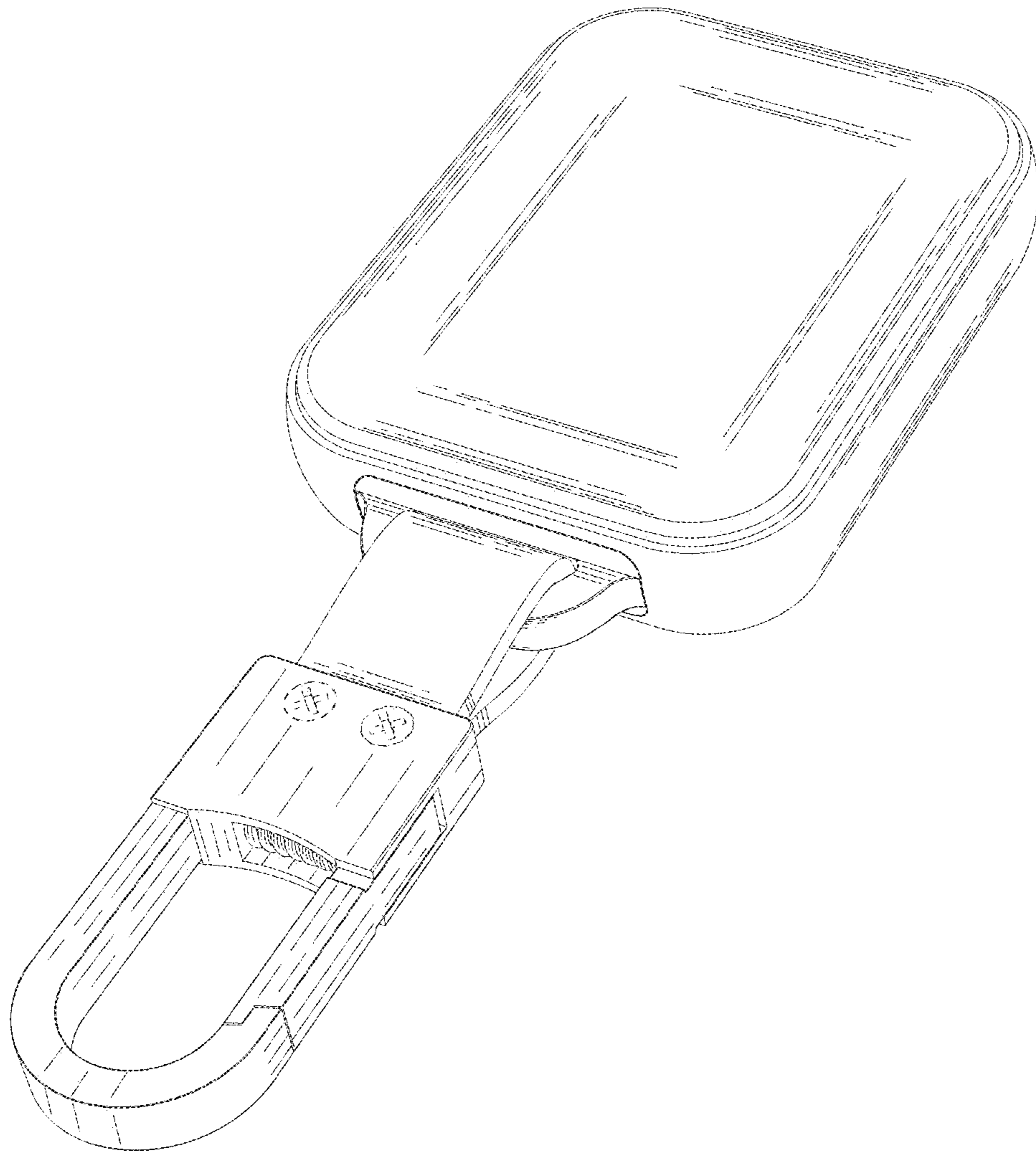


FIG. 9

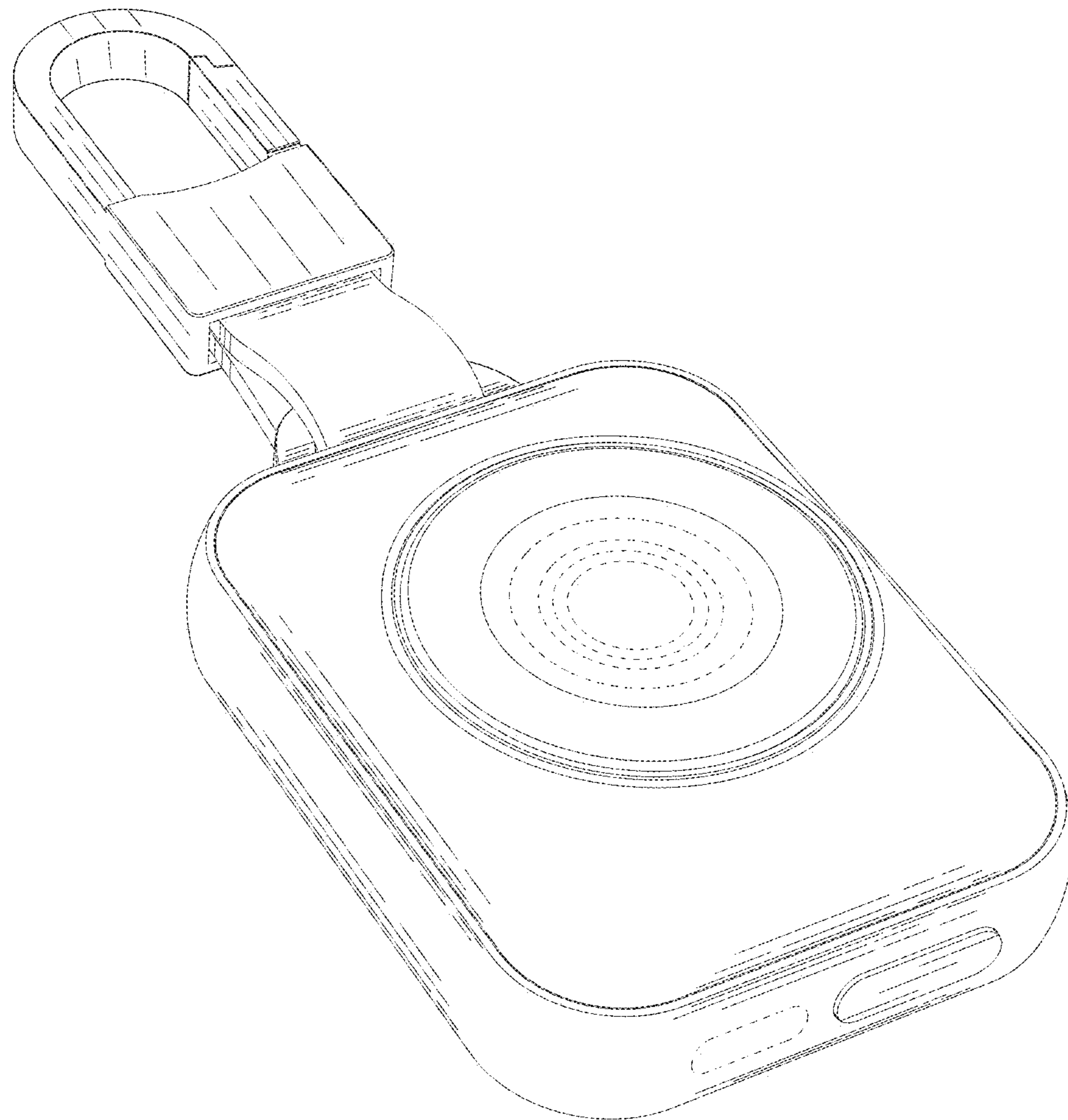


FIG. 10

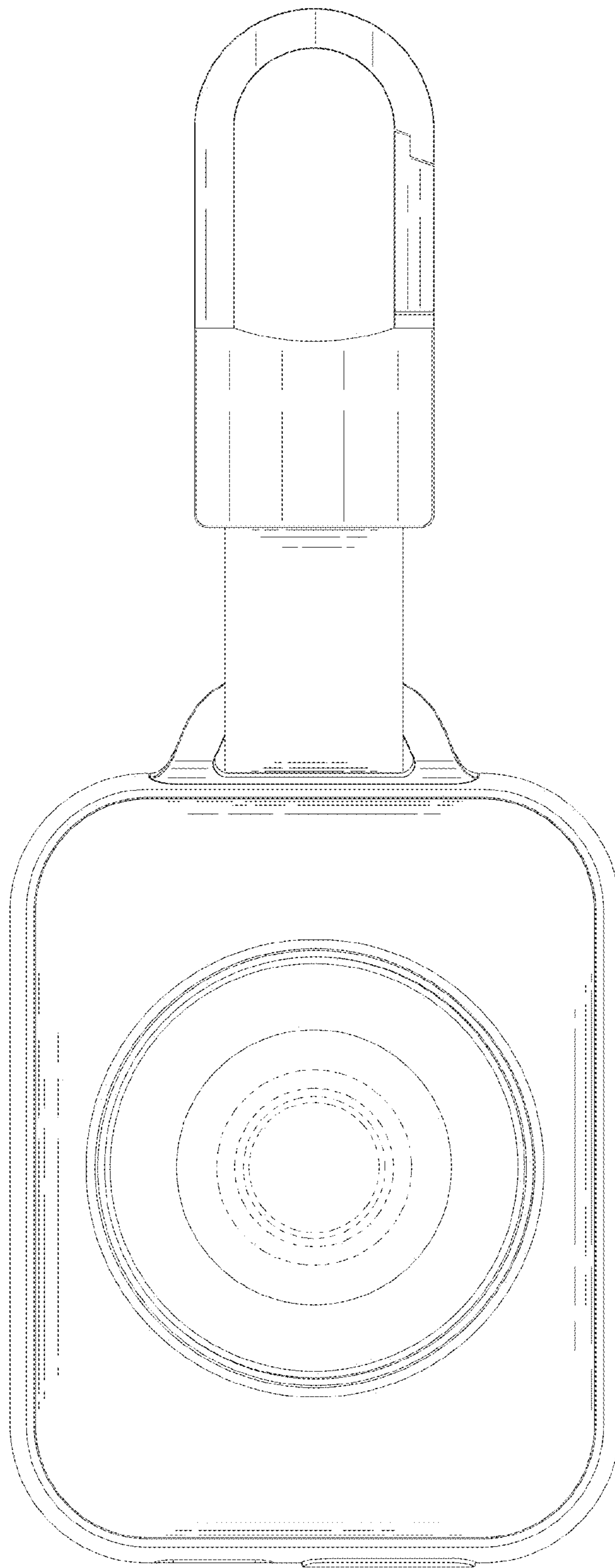


FIG. 11

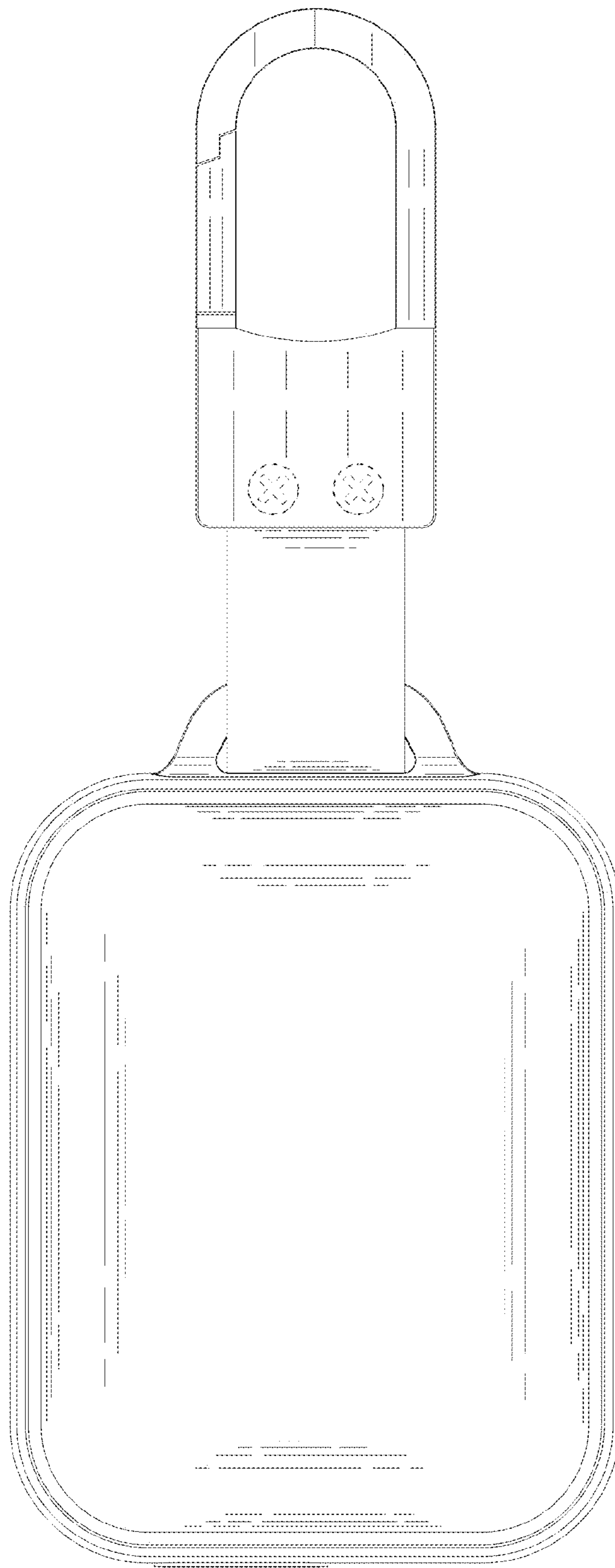


FIG. 12

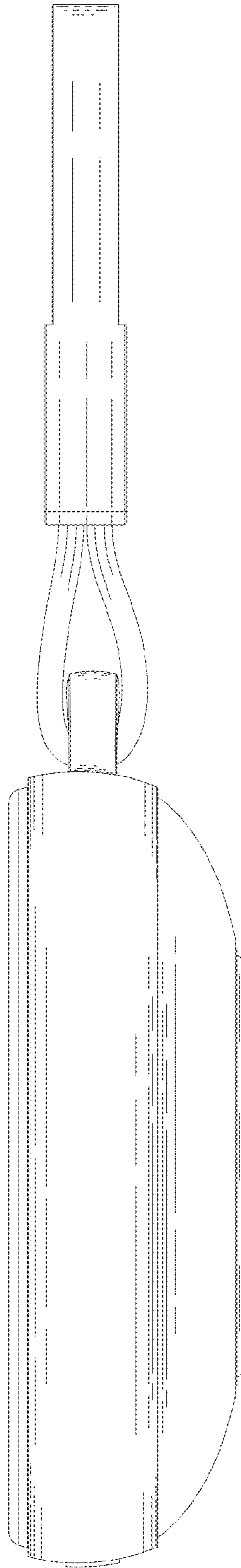


FIG. 13

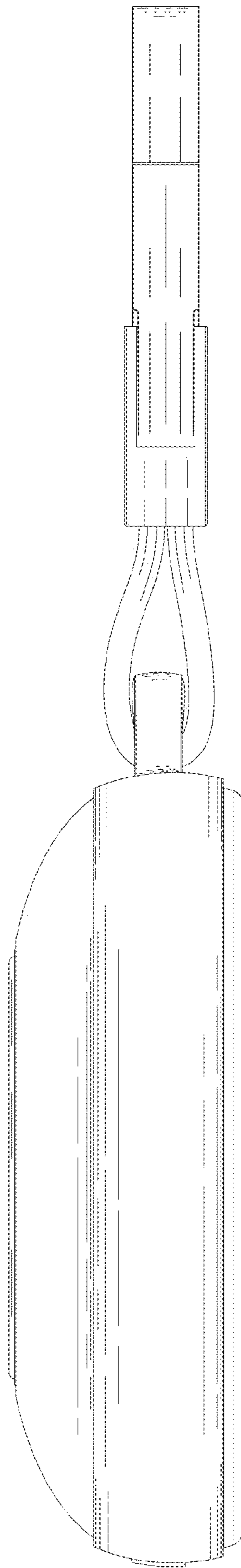


FIG. 14

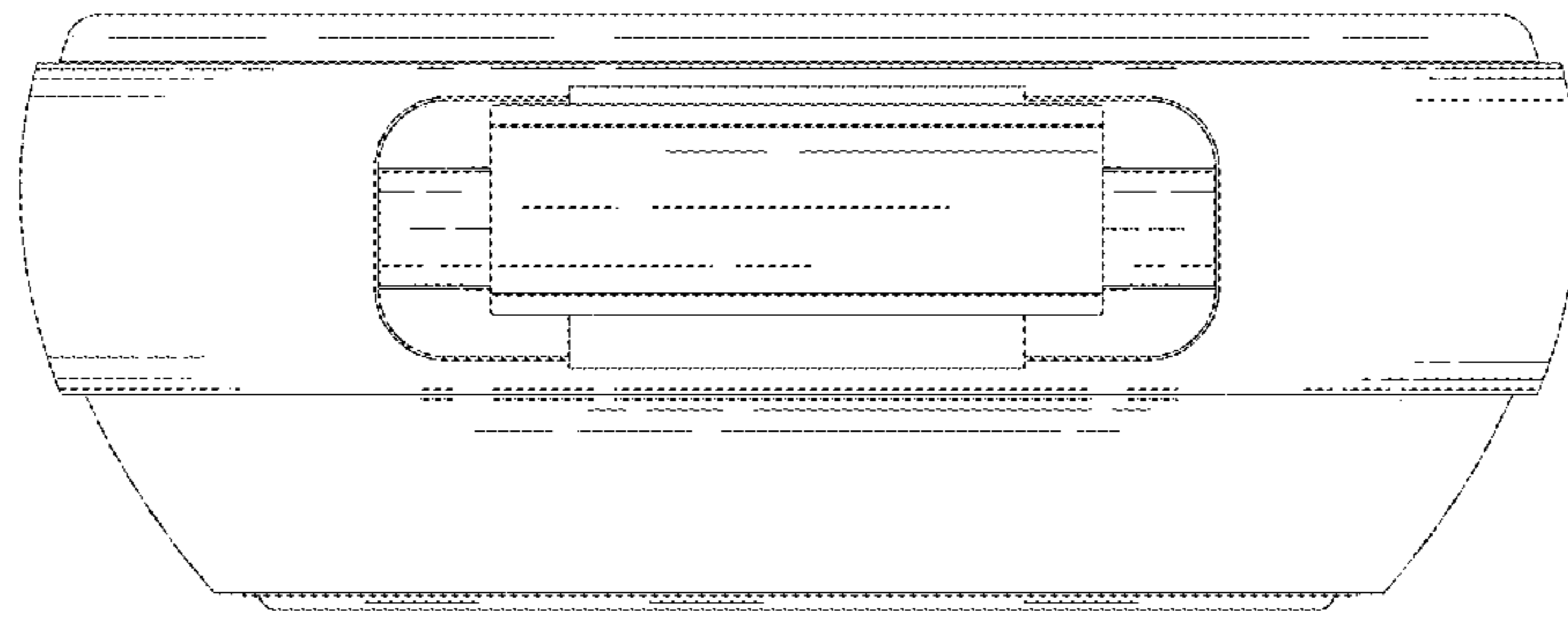


FIG. 15

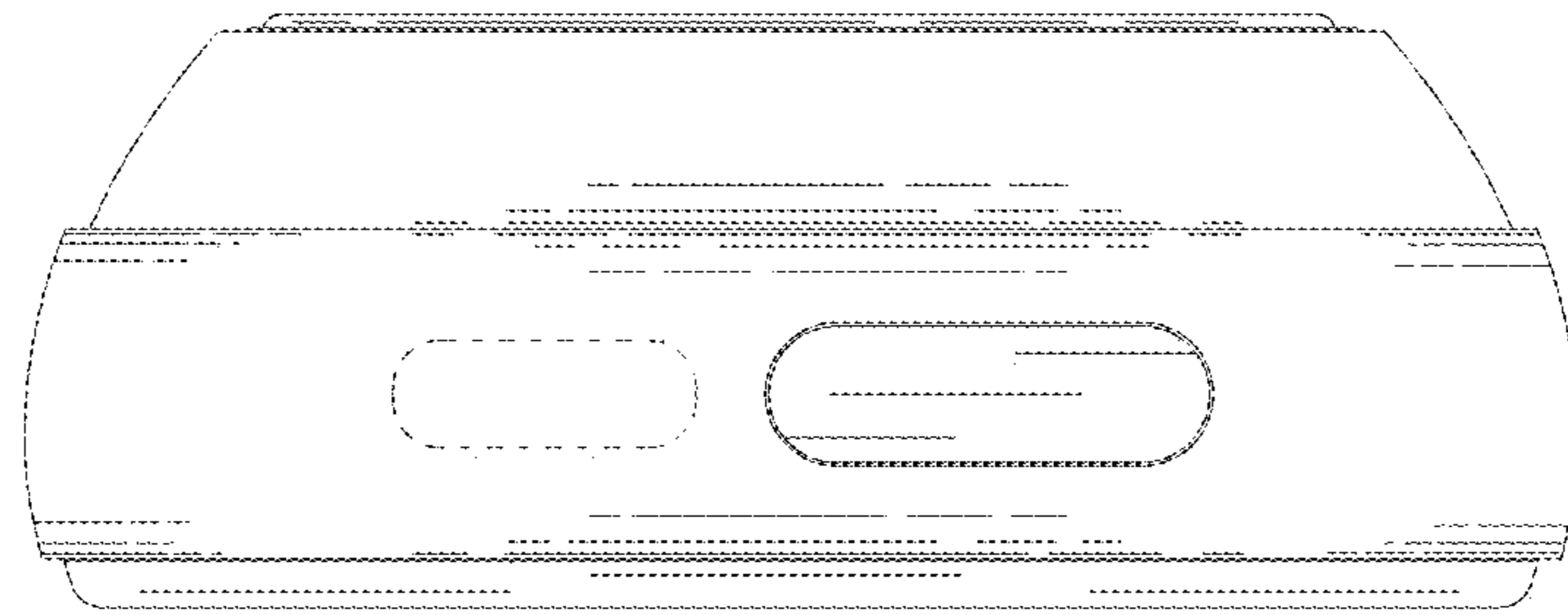


FIG. 16