



US00D947114S

(12) **United States Design Patent**
Schoeppner

(10) **Patent No.:** **US D947,114 S**

(45) **Date of Patent:** **** Mar. 29, 2022**

- (54) **TIRE SIDEWALL**
- (71) Applicant: **The Goodyear Tire & Rubber Company, Akron, OH (US)**
- (72) Inventor: **Nicholas Thomas Schoeppner, Canton, OH (US)**
- (73) Assignee: **The Goodyear Tire & Rubber Company, Akron, OH (US)**
- (**) Term: **15 Years**
- (21) Appl. No.: **29/752,530**
- (22) Filed: **Sep. 28, 2020**
- (51) **LOC (13) Cl.** **12-15**
- (52) **U.S. Cl.**
USPC **D12/605**
- (58) **Field of Classification Search**
USPC D12/604, 605
CPC B60C 13/00; B60C 1/00
See application file for complete search history.

D581,352 S	11/2008	Harvey	D12/605
D581,353 S	11/2008	Harvey	D12/605
D581,354 S	11/2008	Harvey	D12/605
D585,016 S	1/2009	Weimer et al.	D12/605
D588,529 S	3/2009	Reese et al.	D12/605
D588,532 S	3/2009	Shondel	D12/605
D593,487 S *	6/2009	Takahashi	D12/605
D608,275 S	1/2010	Maxwell	D12/605
D610,978 S	3/2010	Harvey et al.	D12/605
D610,980 S	3/2010	Shondel	D12/605
D610,981 S	3/2010	Shondel	D12/605
D611,403 S *	3/2010	Kuwano	D12/605
D614,123 S	4/2010	Harvey	D12/605
D628,959 S	12/2010	Harvey	D12/605
D632,641 S *	2/2011	Sato	D12/605
D638,783 S *	5/2011	Endou	D12/605
D640,187 S	6/2011	Fontaine et al.	D12/605
D650,323 S	12/2011	Morito et al.	D12/605
D656,089 S *	3/2012	Miyazaki	D12/605
D656,090 S *	3/2012	Sato	D12/605
D667,369 S *	9/2012	Fontaine	D12/605
D684,109 S	6/2013	Iwabuchi	D12/605

(Continued)

Primary Examiner — Michelle E. Wilson
Assistant Examiner — Clese Moore, Jr.
(74) Attorney, Agent, or Firm — Robert N. Lipsik

(56) **References Cited**
U.S. PATENT DOCUMENTS

D450,034 S *	11/2001	Kajikawa	D12/605
D492,648 S	7/2004	Maxwell et al.	D12/605
D517,003 S *	3/2006	Shondel	D12/605
D540,250 S	4/2007	Shondel	D12/605
D540,740 S	4/2007	Maxwell et al.	D12/605
D543,497 S	5/2007	Maxwell et al.	D12/605
D549,168 S	8/2007	Shondel et al.	D12/605
D550,150 S	9/2007	Shondel	D12/605
D552,536 S	10/2007	Shondel	D12/605
D552,537 S	10/2007	Franks et al.	D12/605
D557,202 S	12/2007	Shondel	D12/605
D563,310 S	3/2008	Shondel	D12/605
D567,169 S	4/2008	Maxwell et al.	D12/605
D569,792 S *	5/2008	Holden	D12/605
D574,320 S *	8/2008	Dixon	D12/605

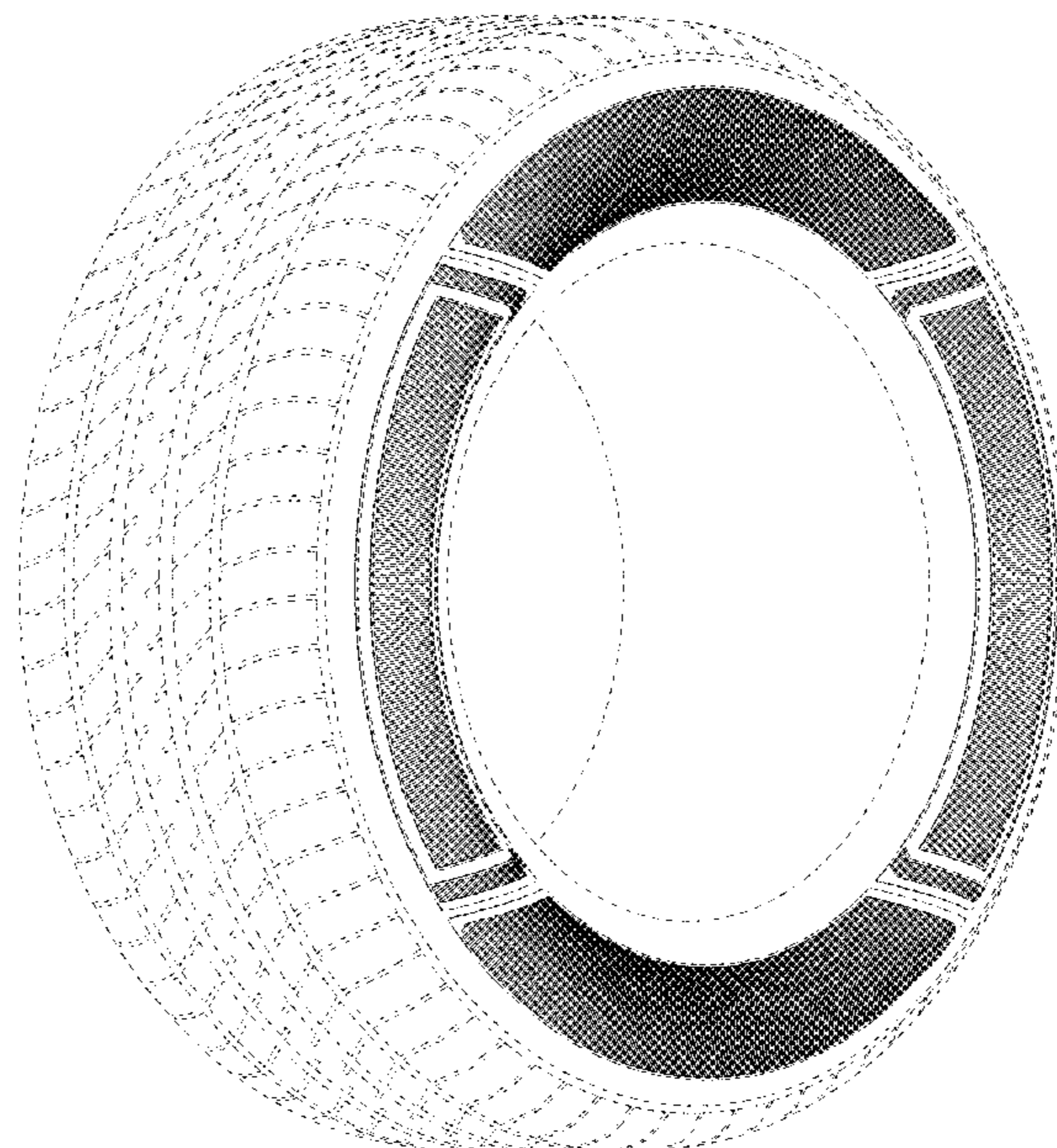
(57) **CLAIM**

The ornamental Design for a tire sidewall, as shown and described.

DESCRIPTION

FIG. 1 is a perspective view of a tire sidewall showing my new design; and,
FIG. 2 is a front elevational view thereof.
In the drawings, the broken lines showing of the tire tread, inner bead and the peripheral boundary between the tire tread and the sidewall in FIGS. 1 and 2 depict environmental subject matter and form no part of the claimed design.

1 Claim, 2 Drawing Sheets



(56)

References Cited

U.S. PATENT DOCUMENTS

D701,826	S	*	4/2014	Morito	D12/605
D750,555	S		3/2016	Iwabuchi	D12/605
D769,182	S		10/2016	Iwabuchi	D12/605
D777,094	S	*	1/2017	Takahashi	D12/605
D791,694	S		7/2017	Sato	D12/605
D802,526	S		11/2017	Ishikawa	D12/605
D817,860	S		5/2018	Maxwell et al.	D12/605
D822,590	S		7/2018	Maxwell et al.	D12/605
D823,785	S		7/2018	Noel et al.	D12/605
D830,292	S	*	10/2018	Baggetta	D12/605
D830,960	S	*	10/2018	Sato	D12/605
D848,359	S	*	5/2019	Furusawa	D12/605
D851,028	S	*	6/2019	Mishima	D12/605
D851,029	S	*	6/2019	Mishima	D12/605
D853,950	S	*	7/2019	Kubota	D12/605
D856,915	S	*	8/2019	Nagase	D12/605
D860,930	S	*	9/2019	Ishii	D12/605
D865,657	S	*	11/2019	Miyazaki	D12/605
D869,386	S		12/2019	Maxwell et al.	D12/605
D876,333	S		2/2020	Fontaine et al.	D12/605
D876,334	S		2/2020	Schoepner et al.	D12/605
D876,335	S		2/2020	Fontaine et al.	D12/605
D876,336	S	*	2/2020	Schoepner	D12/605
D876,337	S		2/2020	Schoepner et al.	D12/605
D881,116	S	*	4/2020	Sato	D12/605
D893,408	S	*	8/2020	Kawagoe	D12/605
D896,165	S	*	9/2020	Yamaoka	D12/605

* cited by examiner

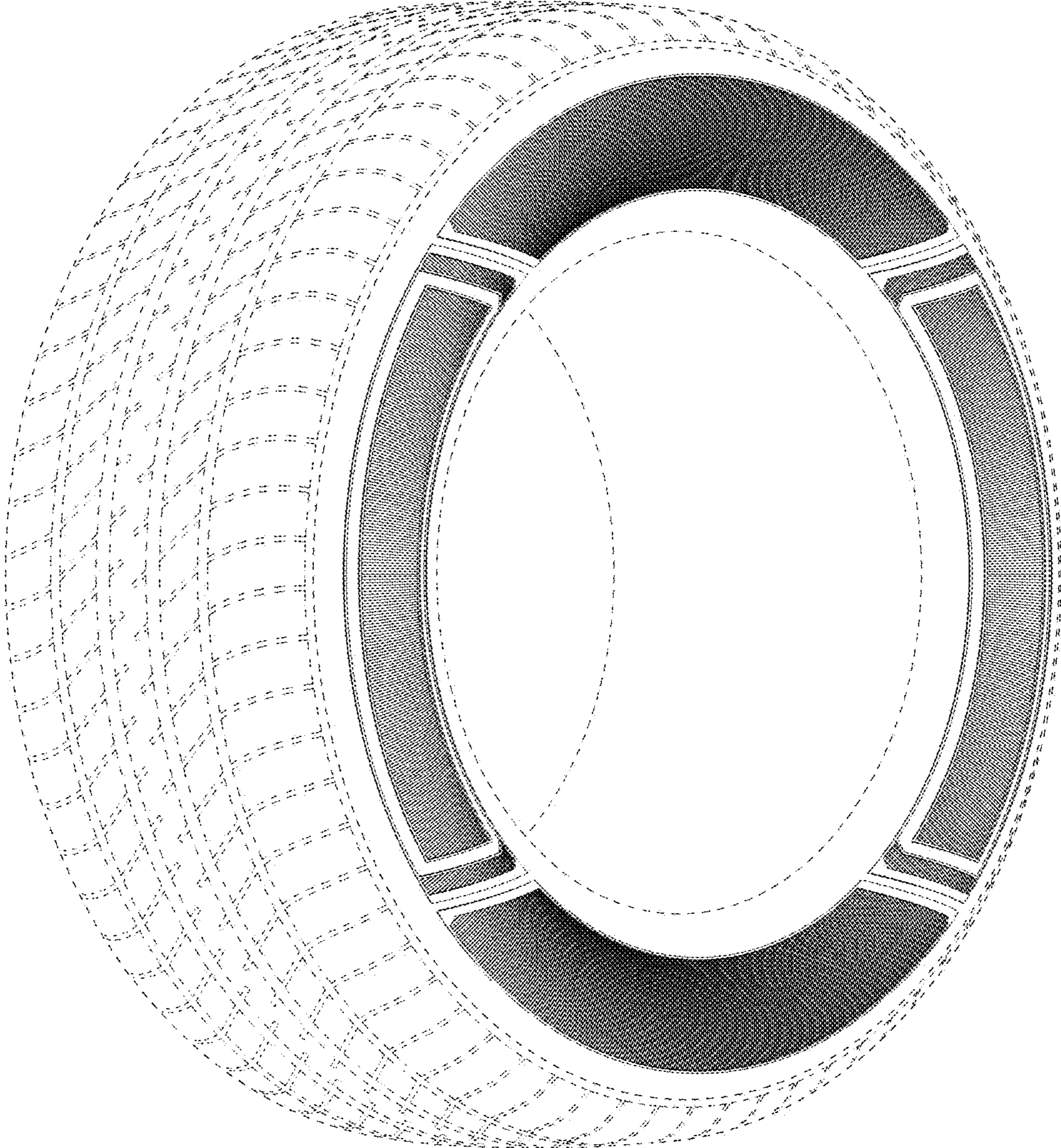


FIG - 1

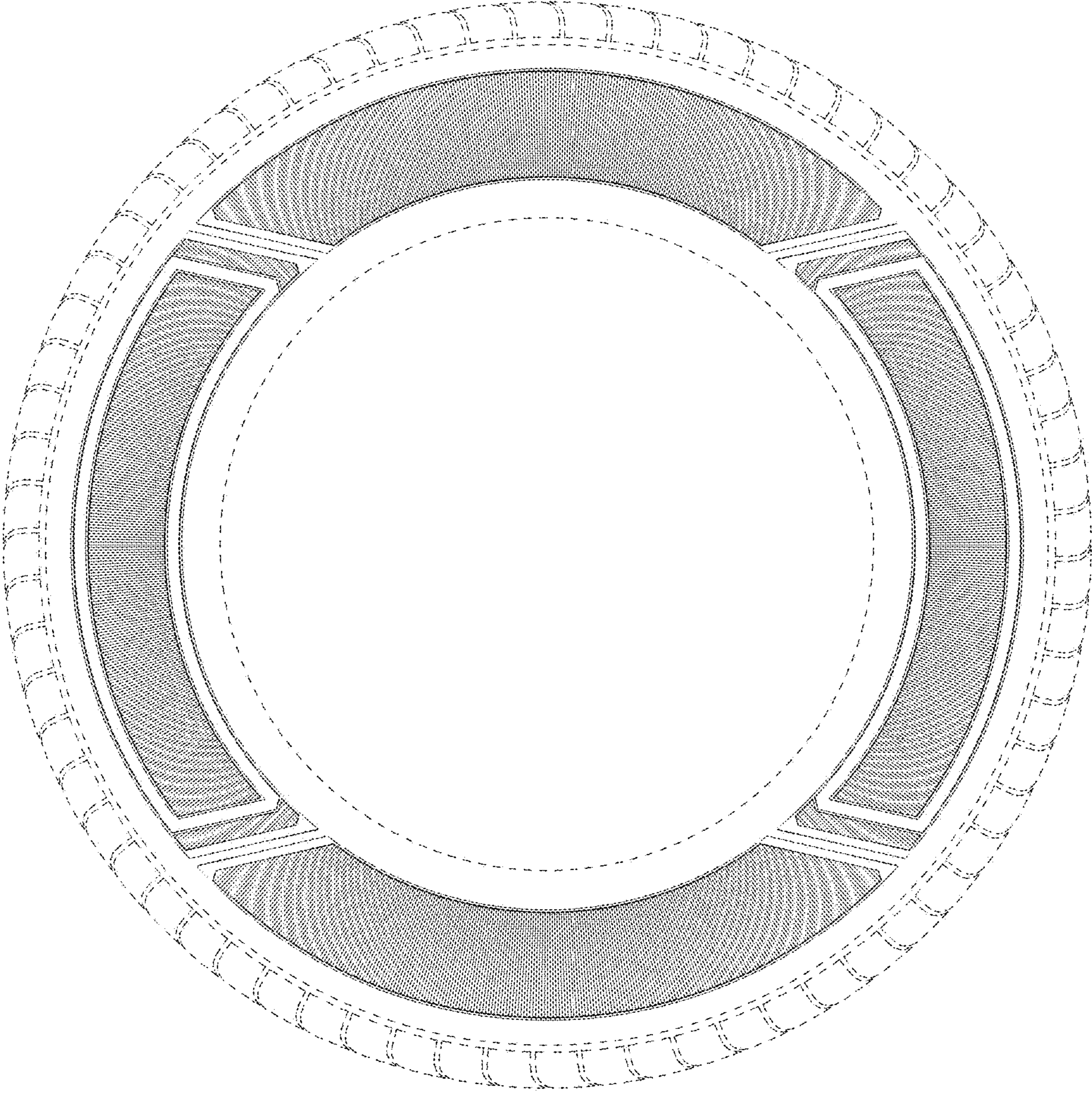


FIG - 2