



US00D947105S

(12) **United States Design Patent**
Geng et al.

(10) **Patent No.:** **US D947,105 S**
(45) **Date of Patent:** **** Mar. 29, 2022**

- (54) **GOLF VEHICLE TIRE PATTERN**
- (71) Applicant: **HEBEI WANDA TYRE CO., LTD.**,
Hebei (CN)
- (72) Inventors: **Peng Geng**, Tianjin (CN); **Chuan Liu**,
Tianjin (CN); **Yongfu Guan**, Tianjin
(CN)
- (73) Assignee: **HEBEI WANDA TYRE CO., LTD.**,
Xingtai (CN)
- (**) Term: **15 Years**
- (21) Appl. No.: **29/738,995**
- (22) Filed: **Jun. 22, 2020**
- (30) **Foreign Application Priority Data**

Apr. 17, 2020 (CN) 202030158043.9

- (51) **LOC (13) Cl.** **12-15**
- (52) **U.S. Cl.**
USPC **D12/579**
- (58) **Field of Classification Search**
USPC D12/568–605, 900
CPC Y10T 152/10027; B60C 1/0016; B60C
11/0306; B60C 11/0302; B60C 3/06;
B60C 9/17
See application file for complete search history.

(56) **References Cited**
U.S. PATENT DOCUMENTS

- D636,330 S * 4/2011 Pringiers D12/593
- D775,065 S * 12/2016 Hanlon D12/599

- D803,766 S * 11/2017 Lundgren D12/579
- D821,294 S * 6/2018 Franklin D12/579
- D873,762 S * 1/2020 Sareen D12/579
- D873,763 S * 1/2020 Petr D12/579
- D886,031 S * 6/2020 Geng D12/579
- D888,651 S * 6/2020 Zhang D12/579
- D899,350 S * 10/2020 Henderson D12/594
- D900,717 S * 11/2020 Davenport D12/579
- D902,840 S * 11/2020 Zhao D12/596
- D906,231 S * 12/2020 Sareen D12/579
- 2020/0369090 A1 * 11/2020 Sakamoto B60C 11/0306

* cited by examiner

Primary Examiner — John A Voytek

(74) *Attorney, Agent, or Firm* — Wayne IP LLC

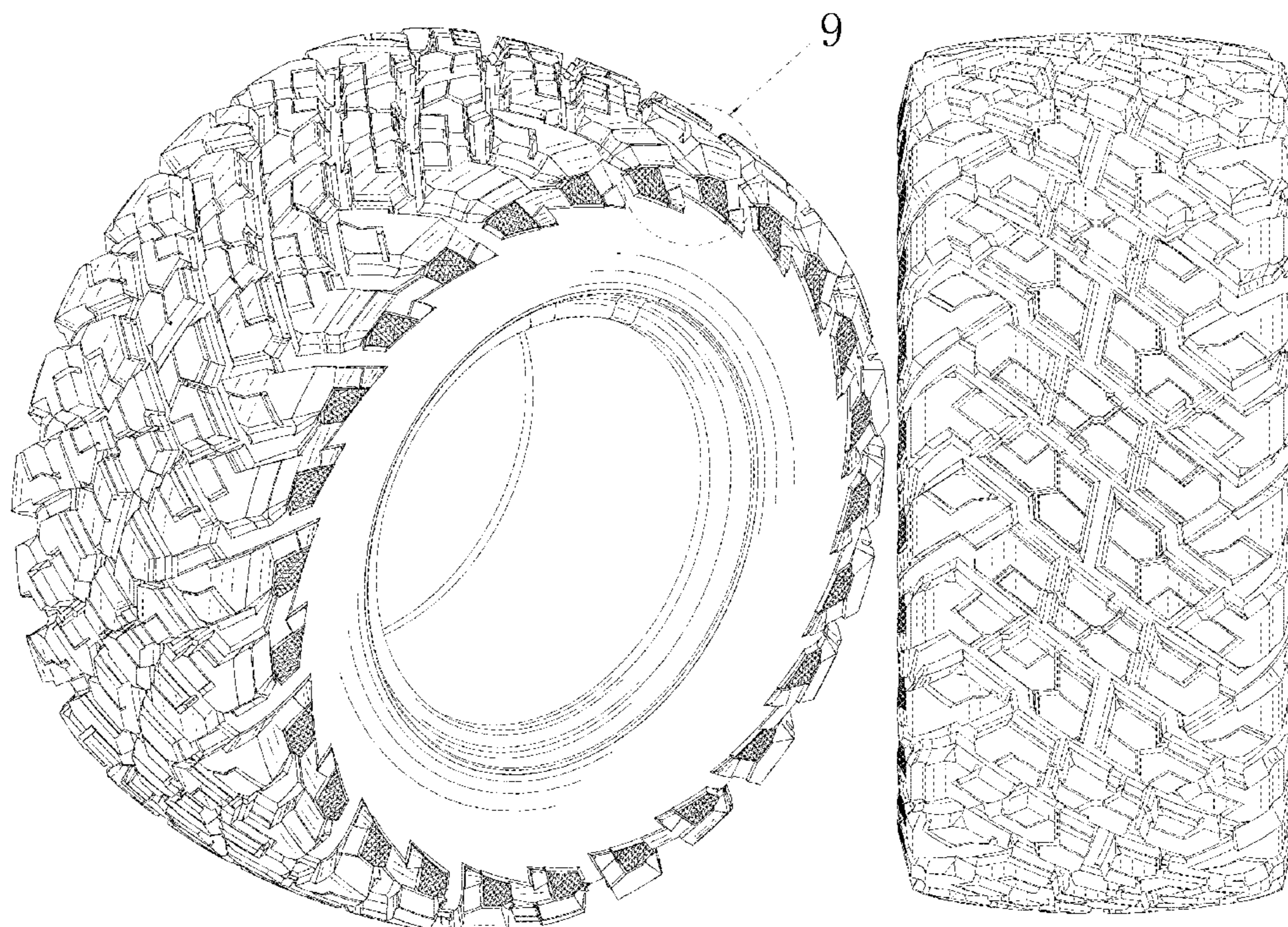
(57) **CLAIM**

The ornamental design for a golf vehicle tire pattern, as shown and described.

DESCRIPTION

FIG. 1 is a perspective view of a golf vehicle tire pattern showing our new design;
 FIG. 2 is another perspective view thereof;
 FIG. 3 is a front elevation view thereof;
 FIG. 4 is a back elevation view thereof;
 FIG. 5 is a left side view thereof;
 FIG. 6 is a right side view thereof;
 FIG. 7 is a top plan view thereof;
 FIG. 8 is a bottom plan view thereof;
 FIG. 9 is a partially enlarged view of FIG. 1 thereof; and,
 FIG. 10 is a partially enlarged view of FIG. 5 thereof.
 The broken lines in the drawing depict environmental subject matter only and form no part of the claimed design.

1 Claim, 10 Drawing Sheets



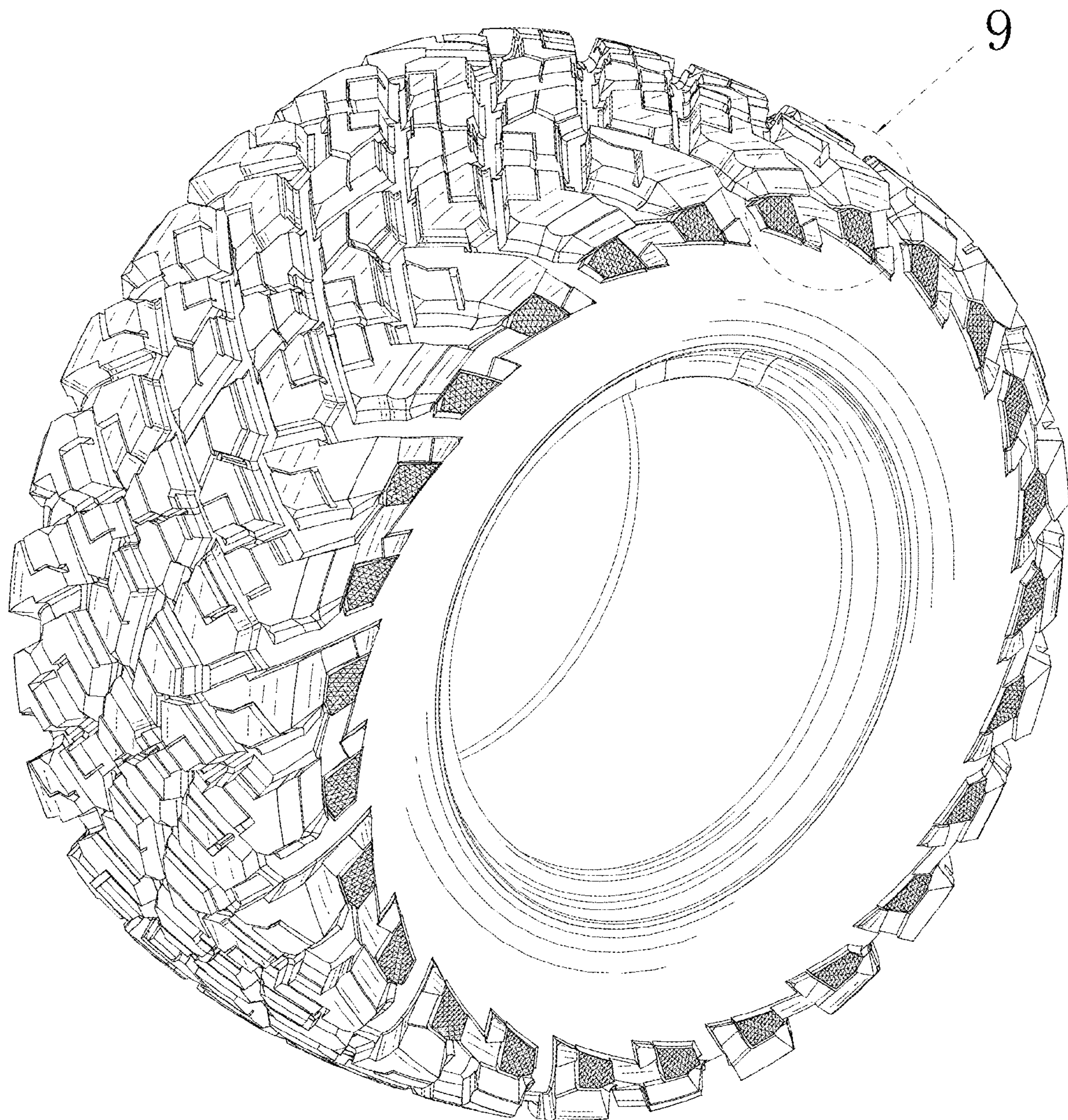


FIG. 1

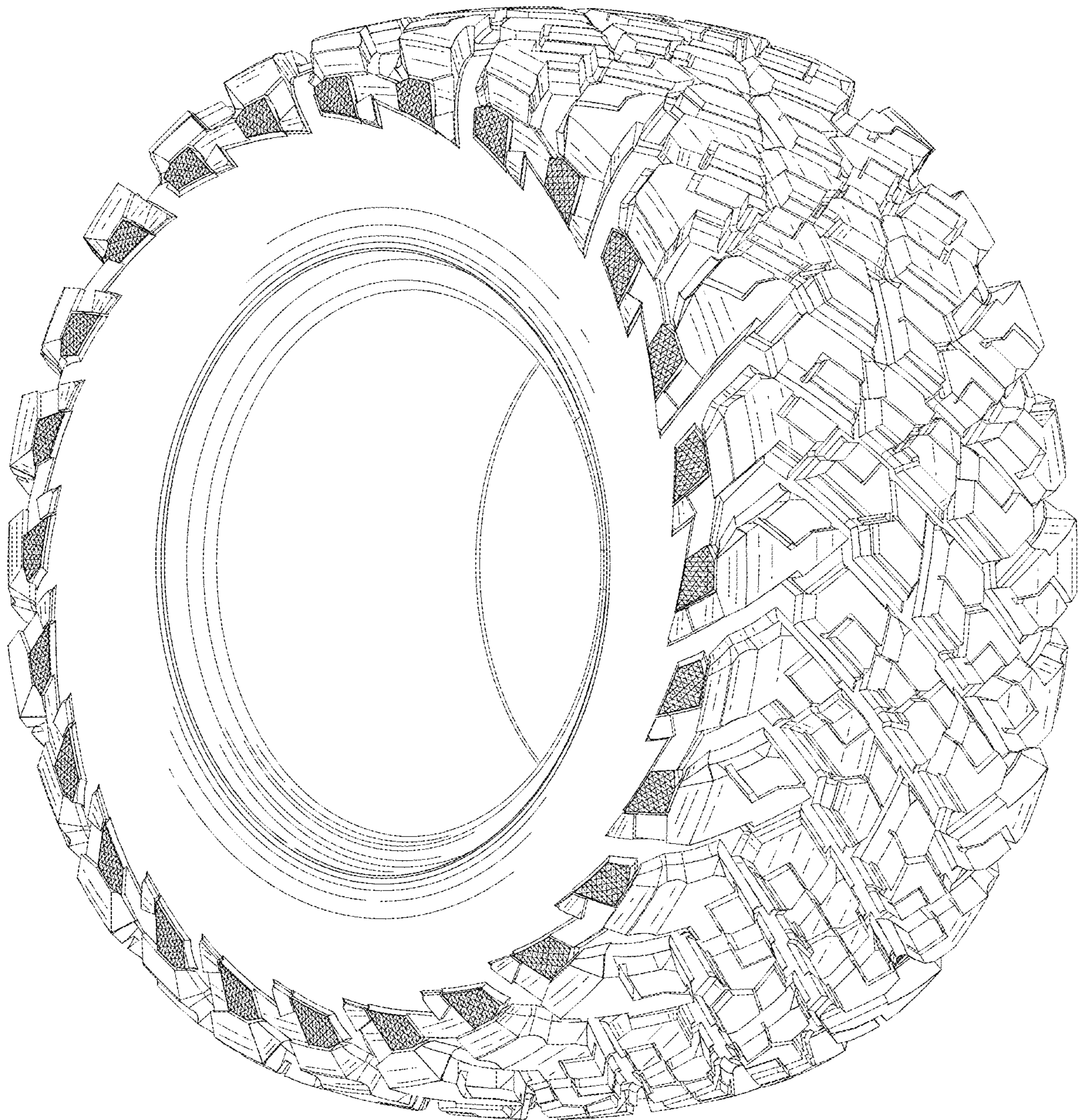


FIG. 2

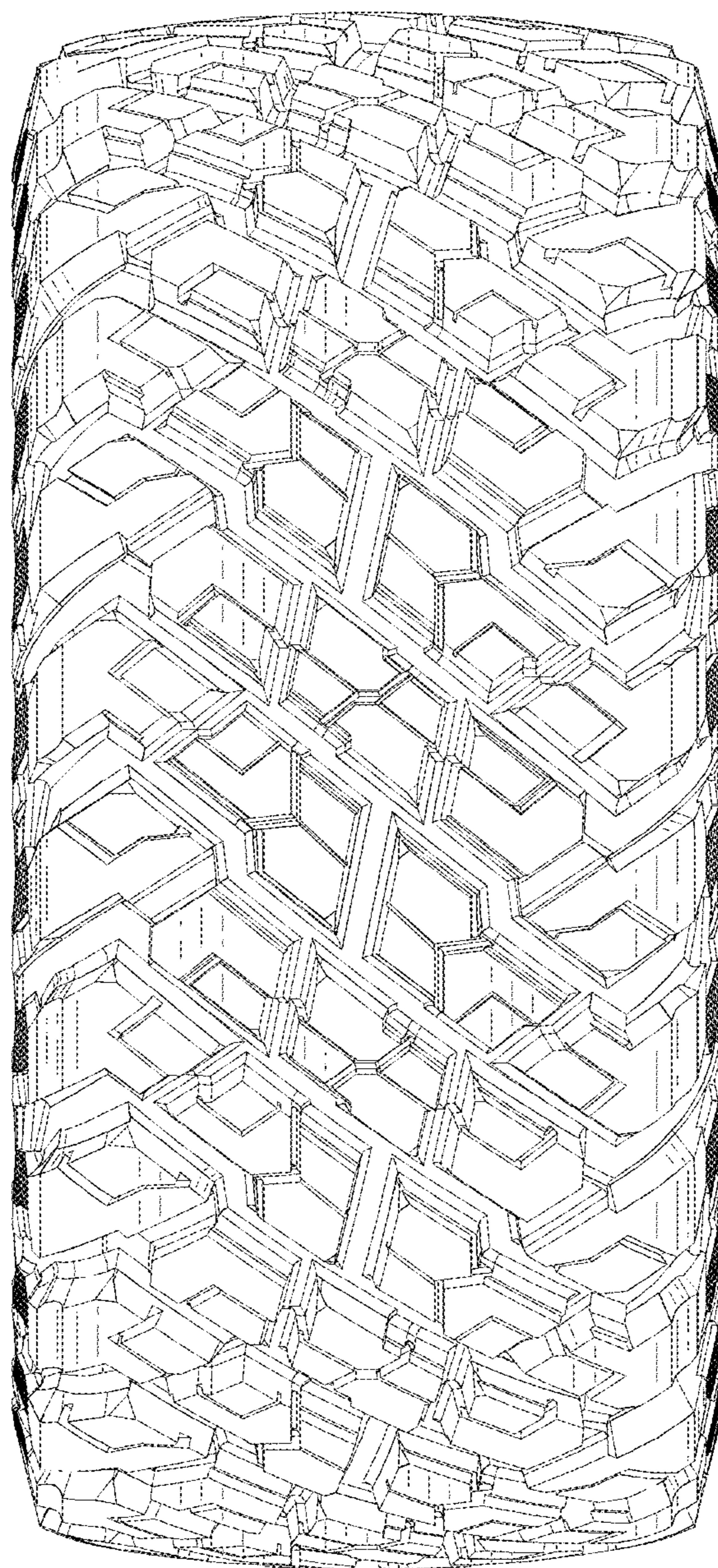


FIG. 3

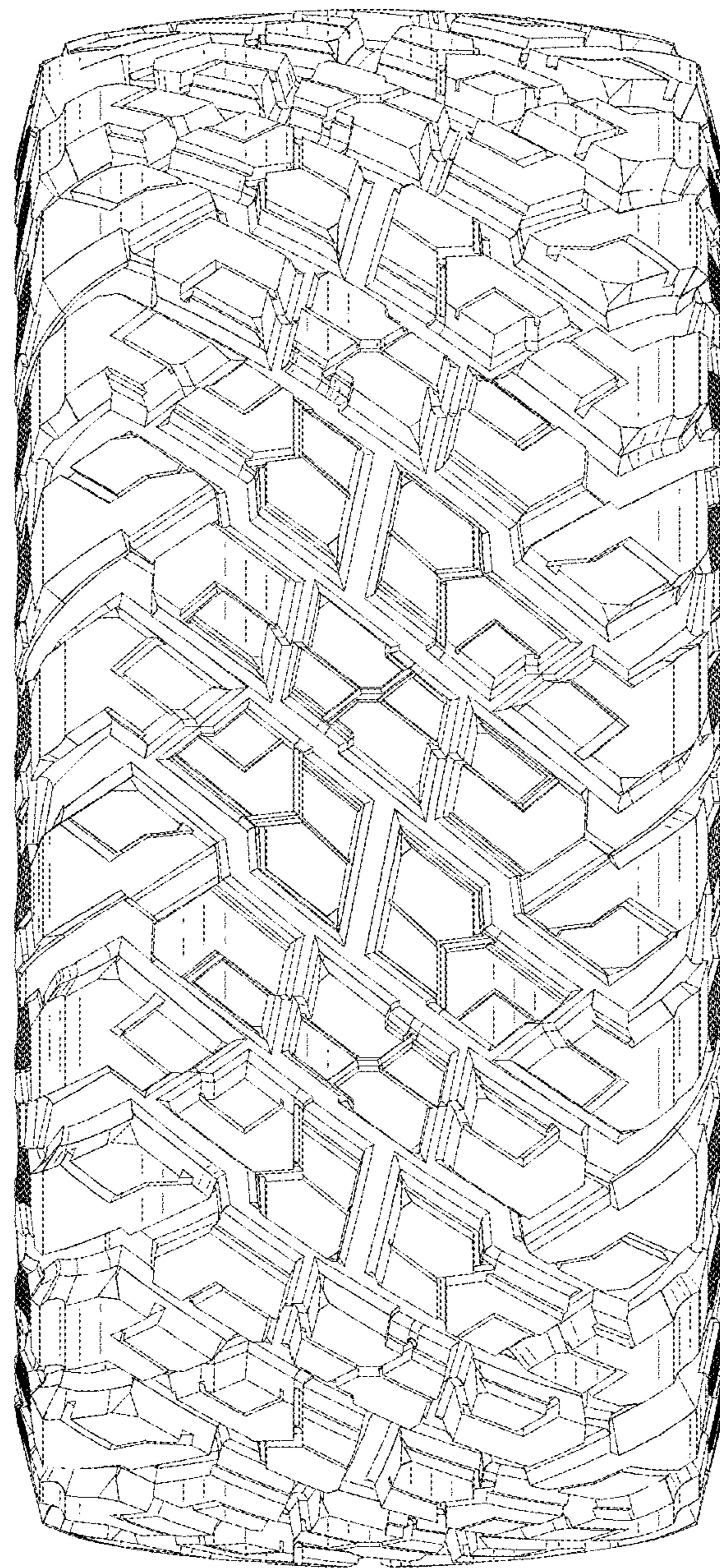


FIG. 4

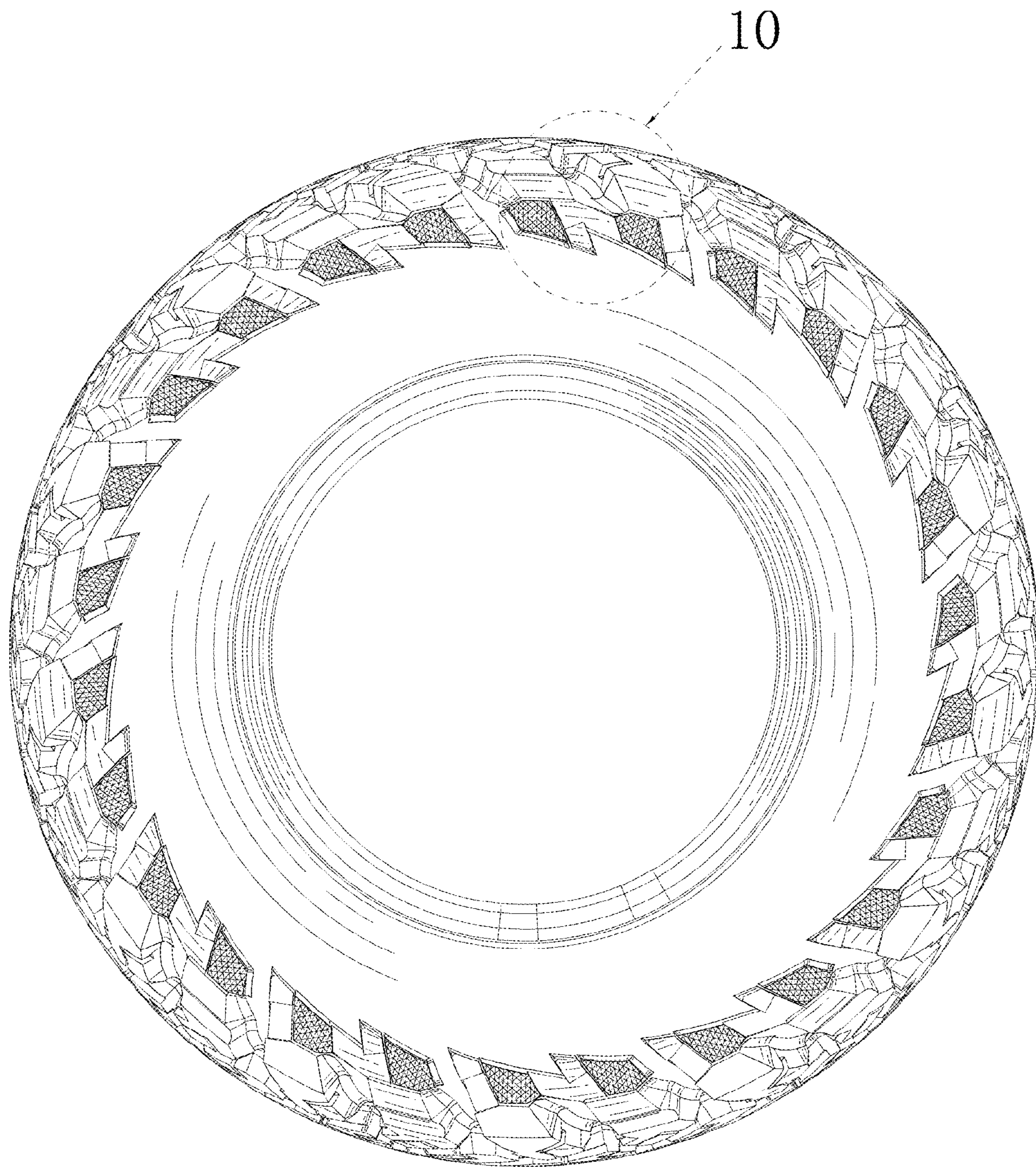


FIG. 5

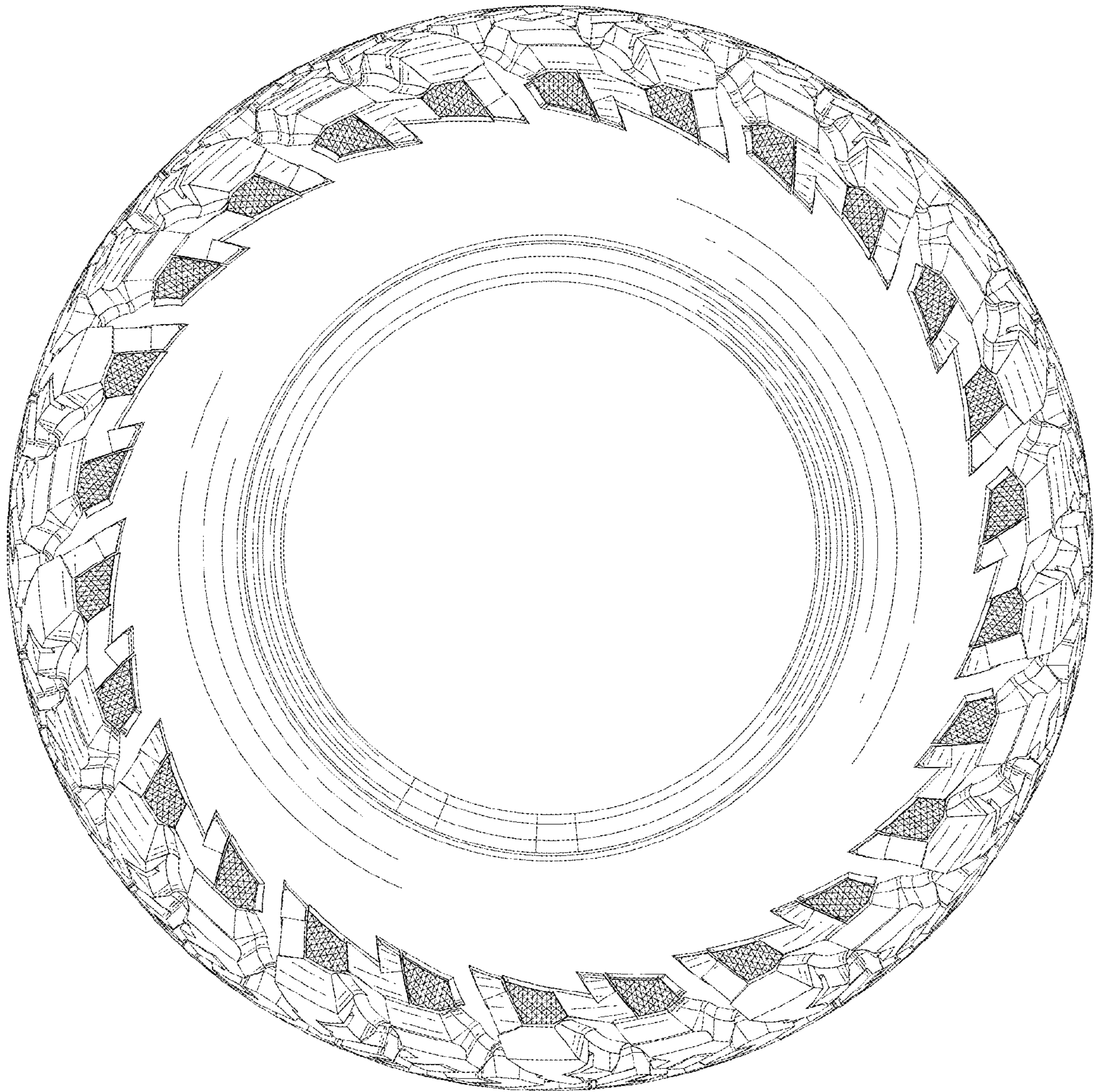


FIG. 6

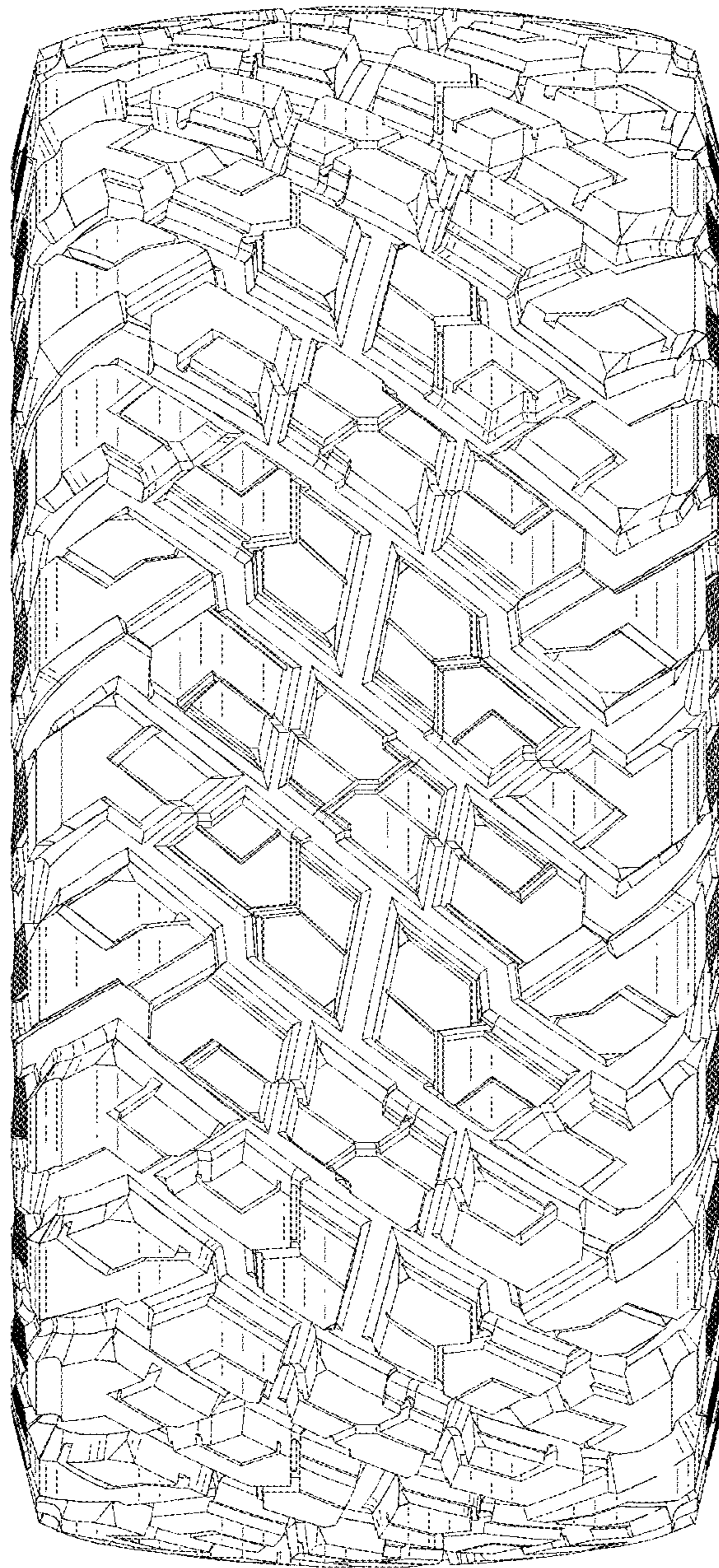


FIG. 7

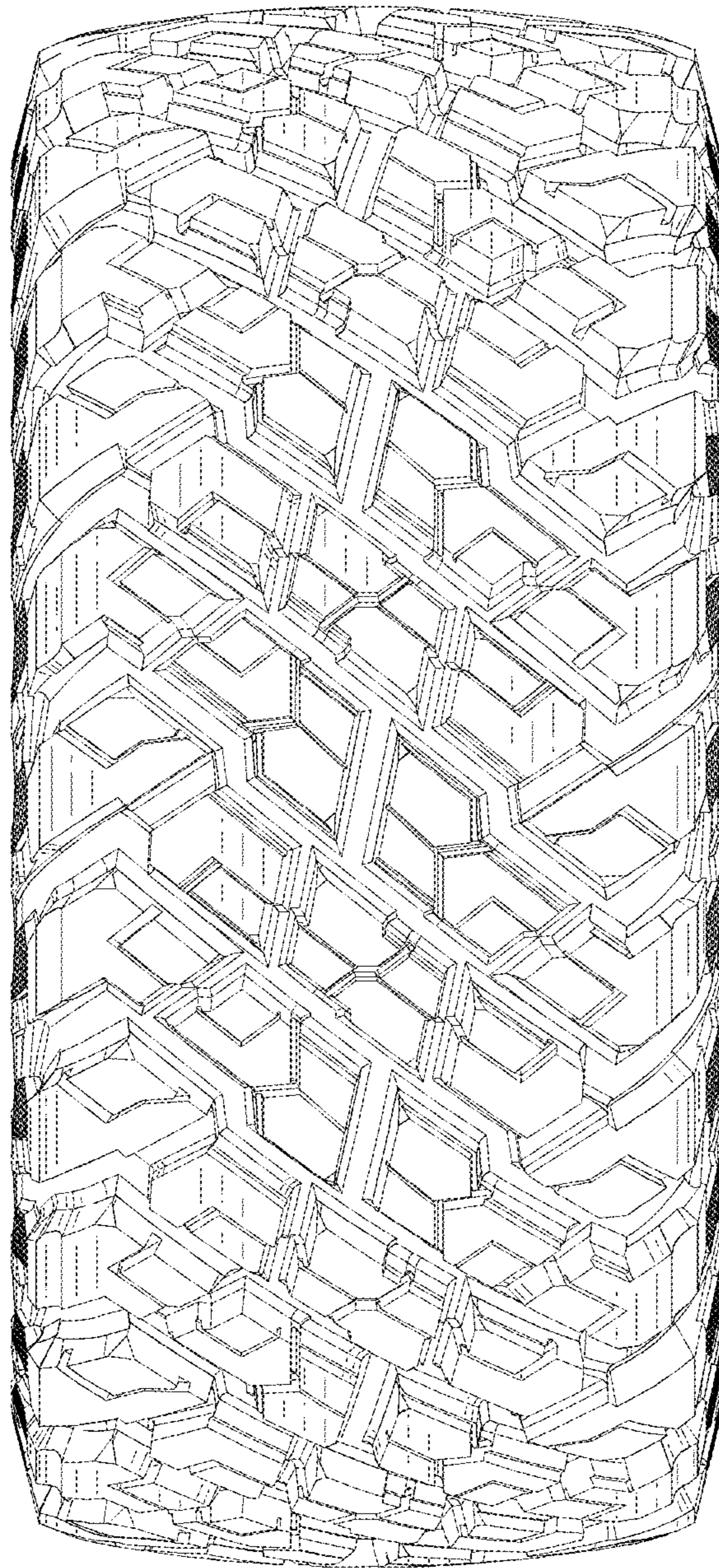


FIG. 8

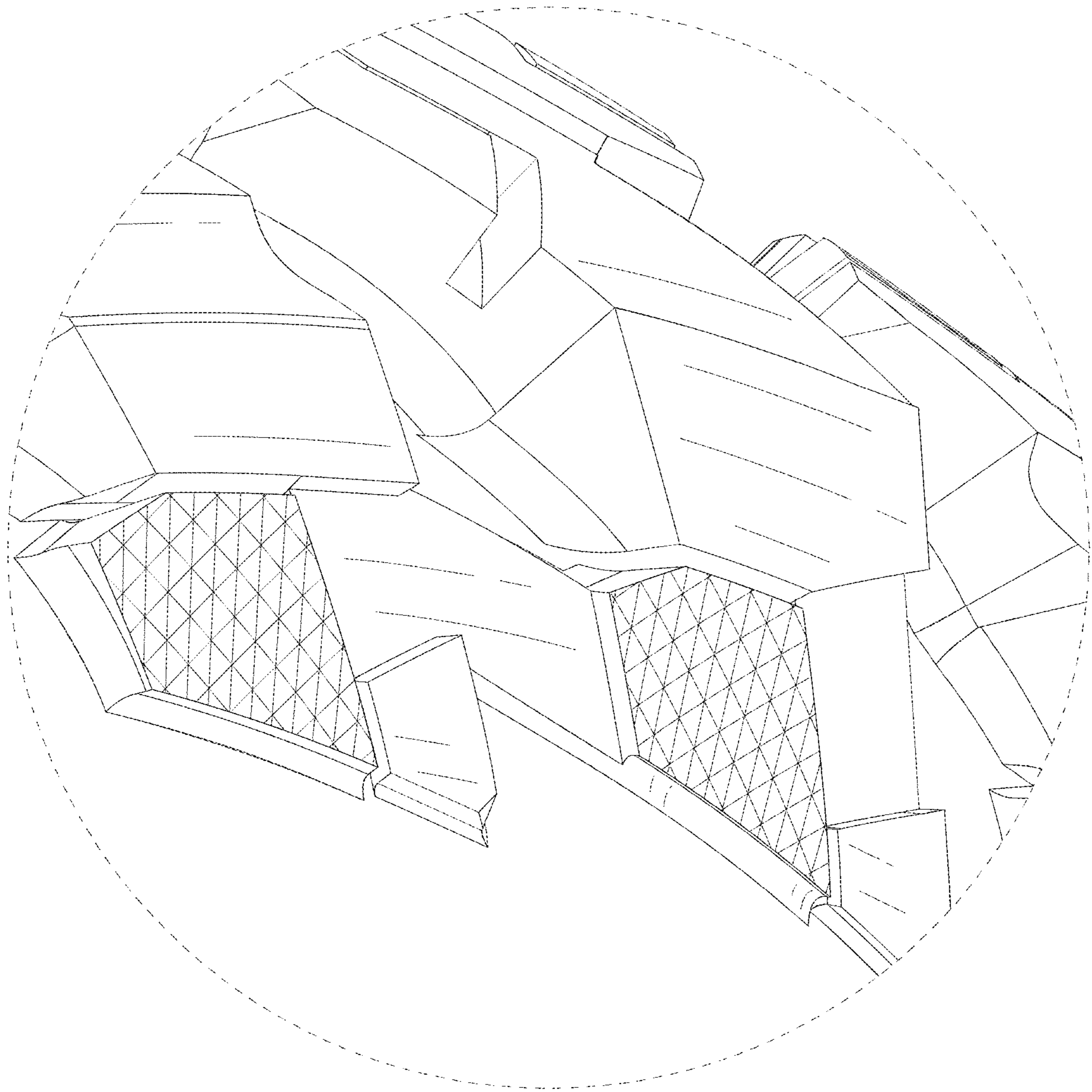


FIG. 9

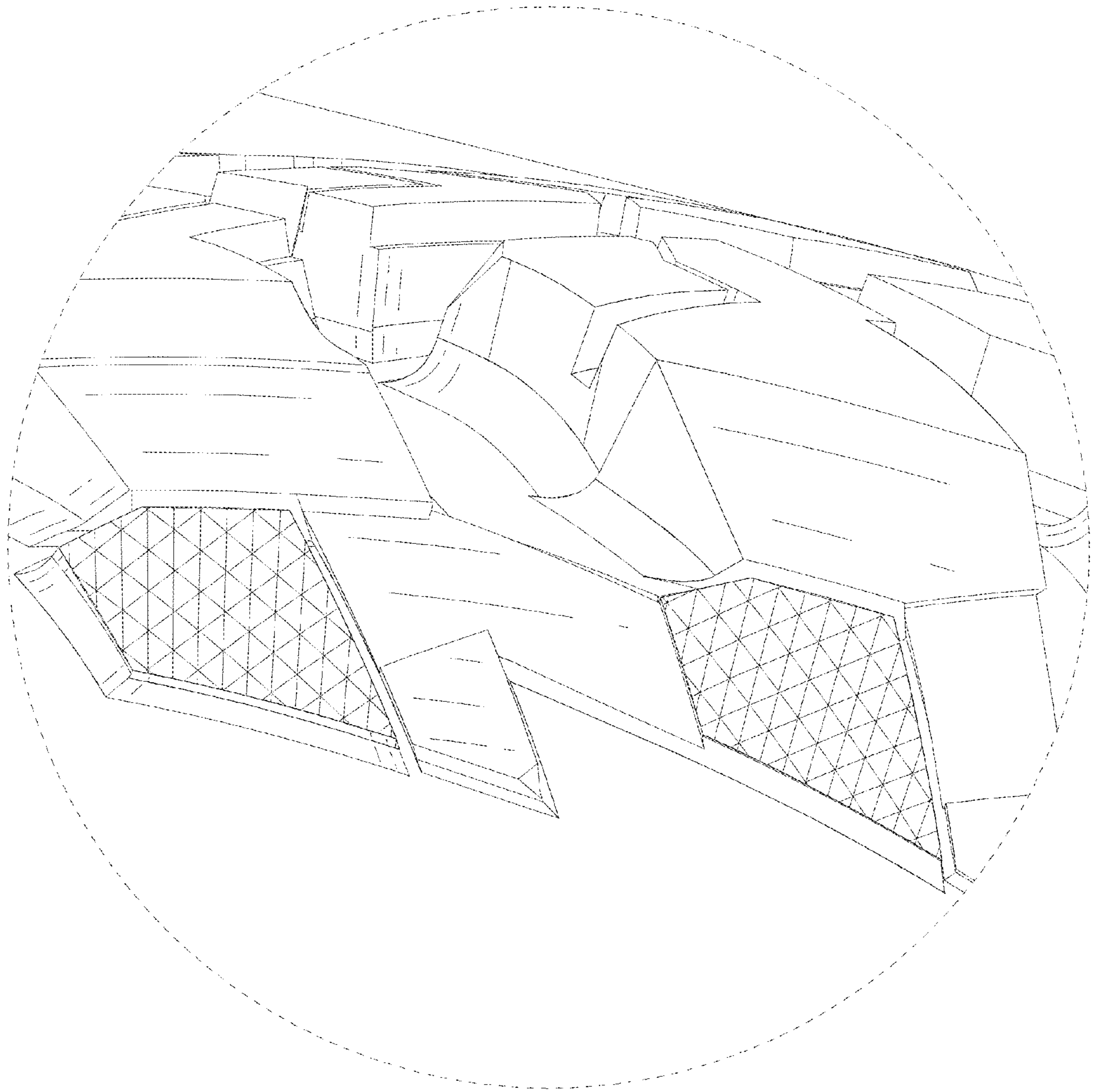


FIG. 10