

US00D947101S

(12) **United States Design Patent** (10) **Patent No.:** **US D947,101 S**  
**Zhu et al.** (45) **Date of Patent:** **\*\* \*Mar. 29, 2022**

(54) **CUP HOLDER**

(56) **References Cited**

(71) Applicant: **OKIN REFINED ELECTRIC TECHNOLOGY CO., LTD**, Jiaxing (CN)  
 (72) Inventors: **Haixiang Zhu**, Jiaxing (CN); **Zuochao Lyu**, Jiaxing (CN); **Chenjian Lei**, Jiaxing (CN)

U.S. PATENT DOCUMENTS

D447,024 S *	8/2001	Thomas	.....	D12/419
D865,646 S *	11/2019	Patten	.....	D12/419
D877,045 S *	3/2020	Johnson	.....	D12/419
D890,687 S *	7/2020	Bilbrey	.....	D12/419
D913,201 S *	3/2021	Jia	.....	D12/419

\* cited by examiner

(73) Assignee: **OKIN REFINED ELECTRIC TECHNOLOGY CO., LTD.**, Jiaxing (CN)

*Primary Examiner* — Abraham Bahta

(\*) Notice: This patent is subject to a terminal disclaimer.

(57) **CLAIM**

The ornamental design for a cup holder, as shown and described.

(\*\*) Term: **15 Years**

**DESCRIPTION**

(21) Appl. No.: **29/714,013**

FIG. 1 is a front elevational view of a cup holder showing our new design;  
 FIG. 2 is a rear elevational view thereof;  
 FIG. 3 is a left side elevational view thereof;  
 FIG. 4 is a right side elevational view thereof;  
 FIG. 5 is a top plan view thereof;  
 FIG. 6 is a bottom plan view thereof;  
 FIG. 7 is a front-top perspective view thereof;  
 FIG. 8 is a rear-top perspective view thereof;  
 FIG. 9 is a bottom perspective view thereof; and,  
 FIG. 10 is an enlarged portion taken from the circumscribed area marked 10 in FIG. 9.

(22) Filed: **Nov. 20, 2019**

(30) **Foreign Application Priority Data**

Jul. 26, 2019 (CN) ..... 201930402919.7

(51) **LOC (13) Cl.** ..... **12-16**

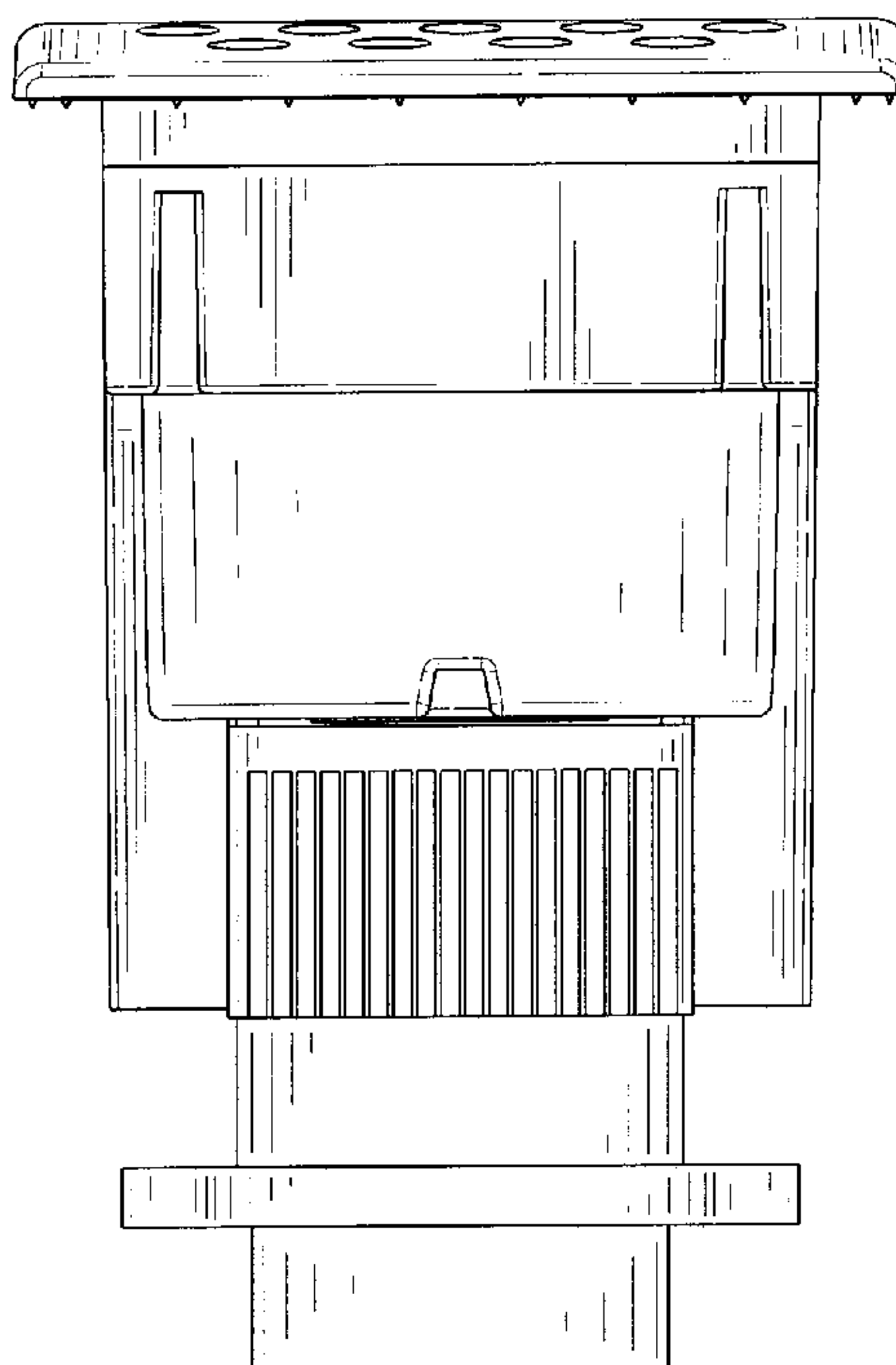
(52) **U.S. Cl.**  
USPC ..... **D12/419**

(58) **Field of Classification Search**  
 USPC ..... D12/415-420, 400, 195, 191, 106, 345,  
 D12/96, 99; 296/190.01, 191, 70  
 CPC .... B60R 7/04; B60R 7/06; B60R 7/08; B60K  
 37/00; B60K 37/02; B60K 37/04; B60K  
 37/06

The cup holder is an article for holding a cup for use in a vehicle or in furniture such as massage chairs, sofas or beds. The broken lines in the figures are included for the purpose illustrating portions of the article which form no part of the claimed design.

See application file for complete search history.

**1 Claim, 10 Drawing Sheets**



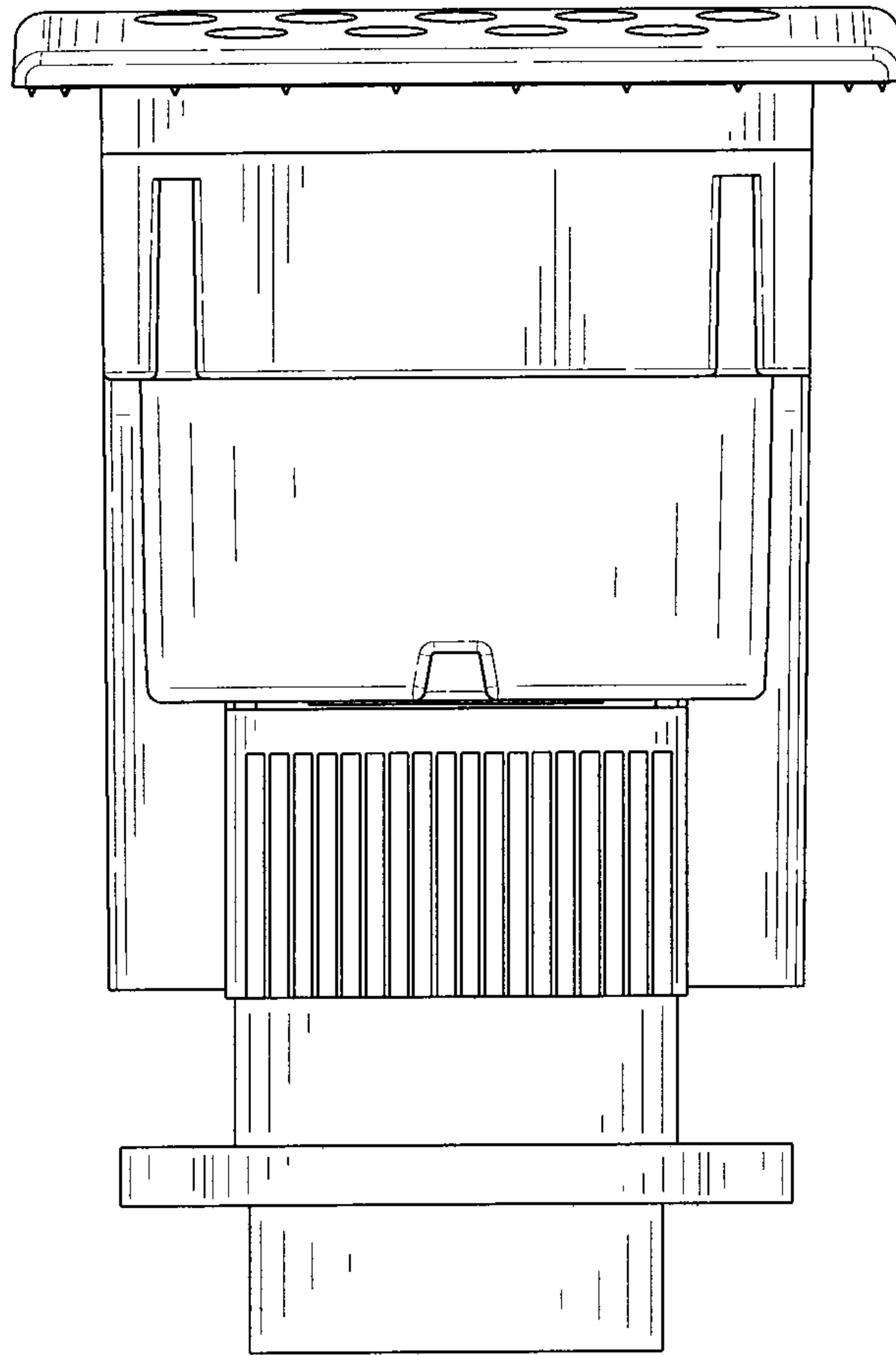


FIG. 1

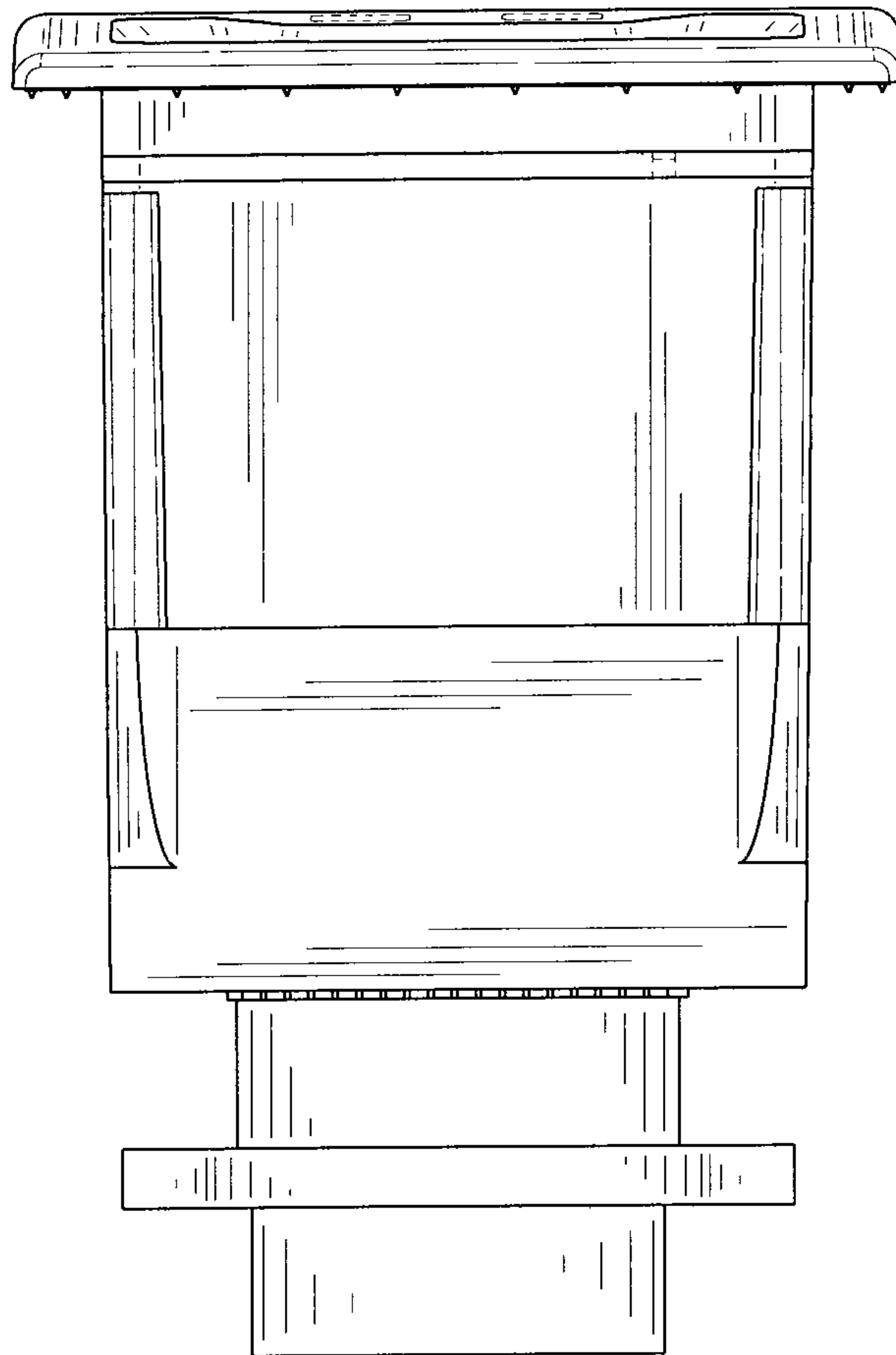


FIG. 2

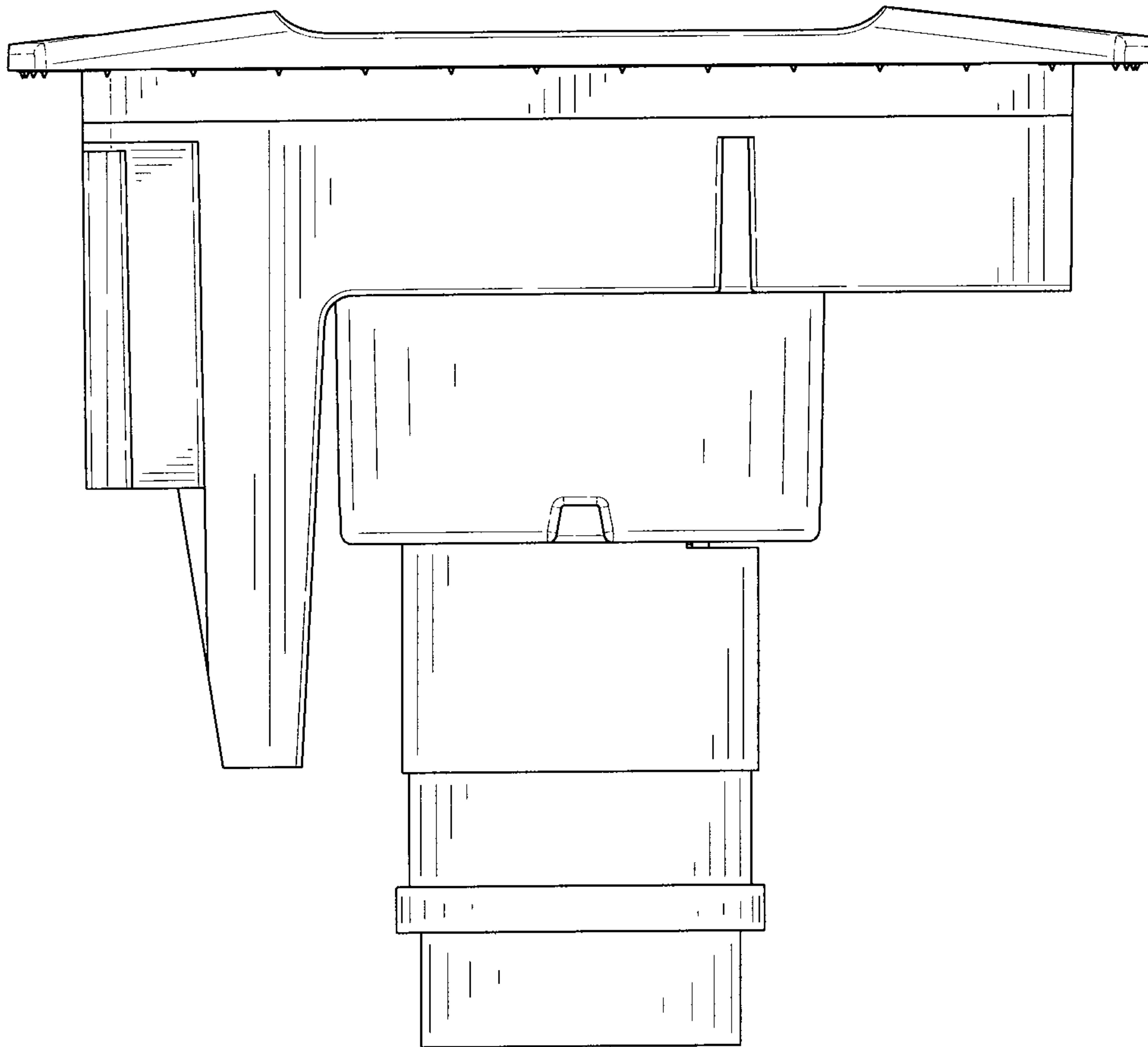


FIG. 3

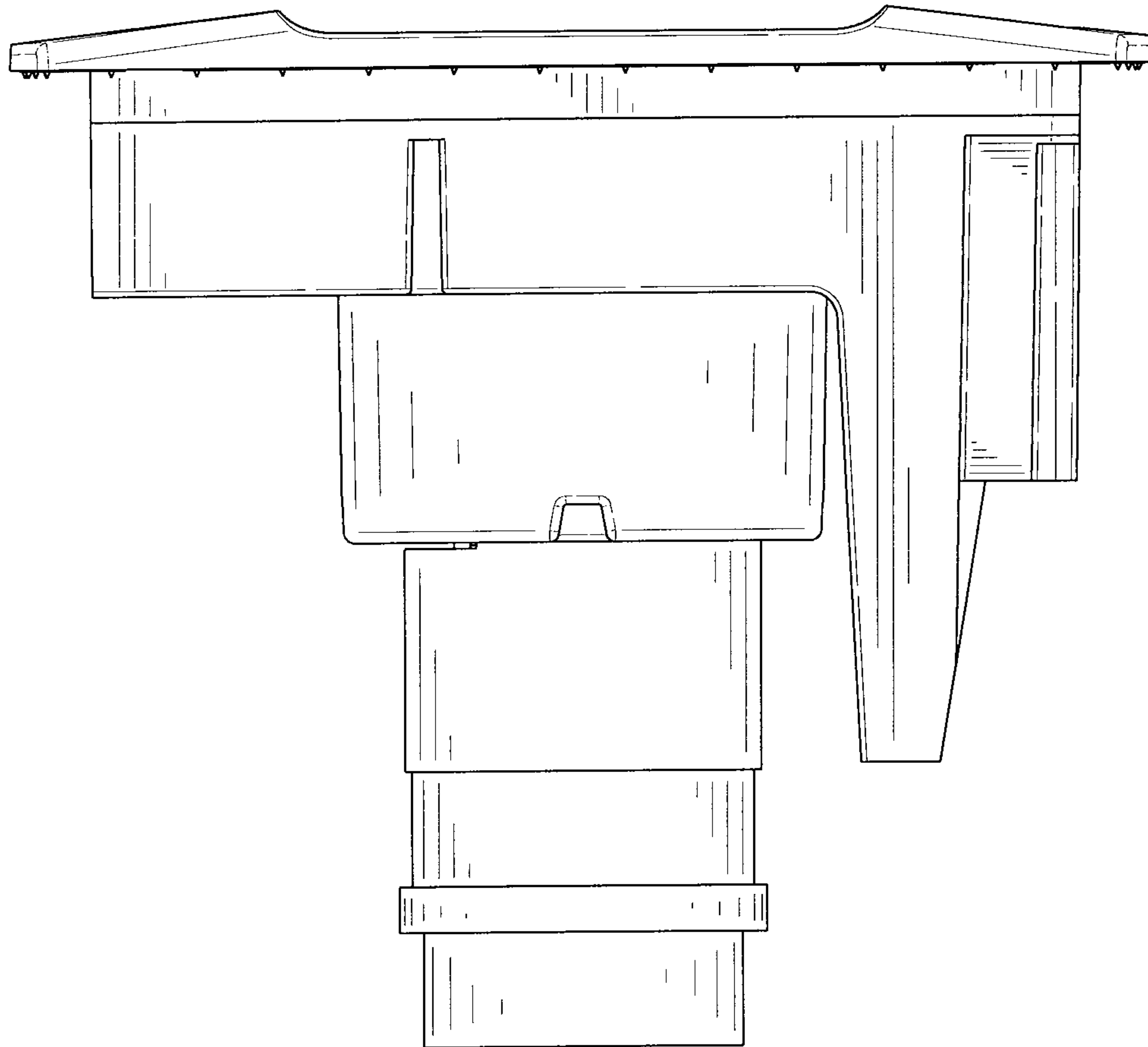


FIG. 4

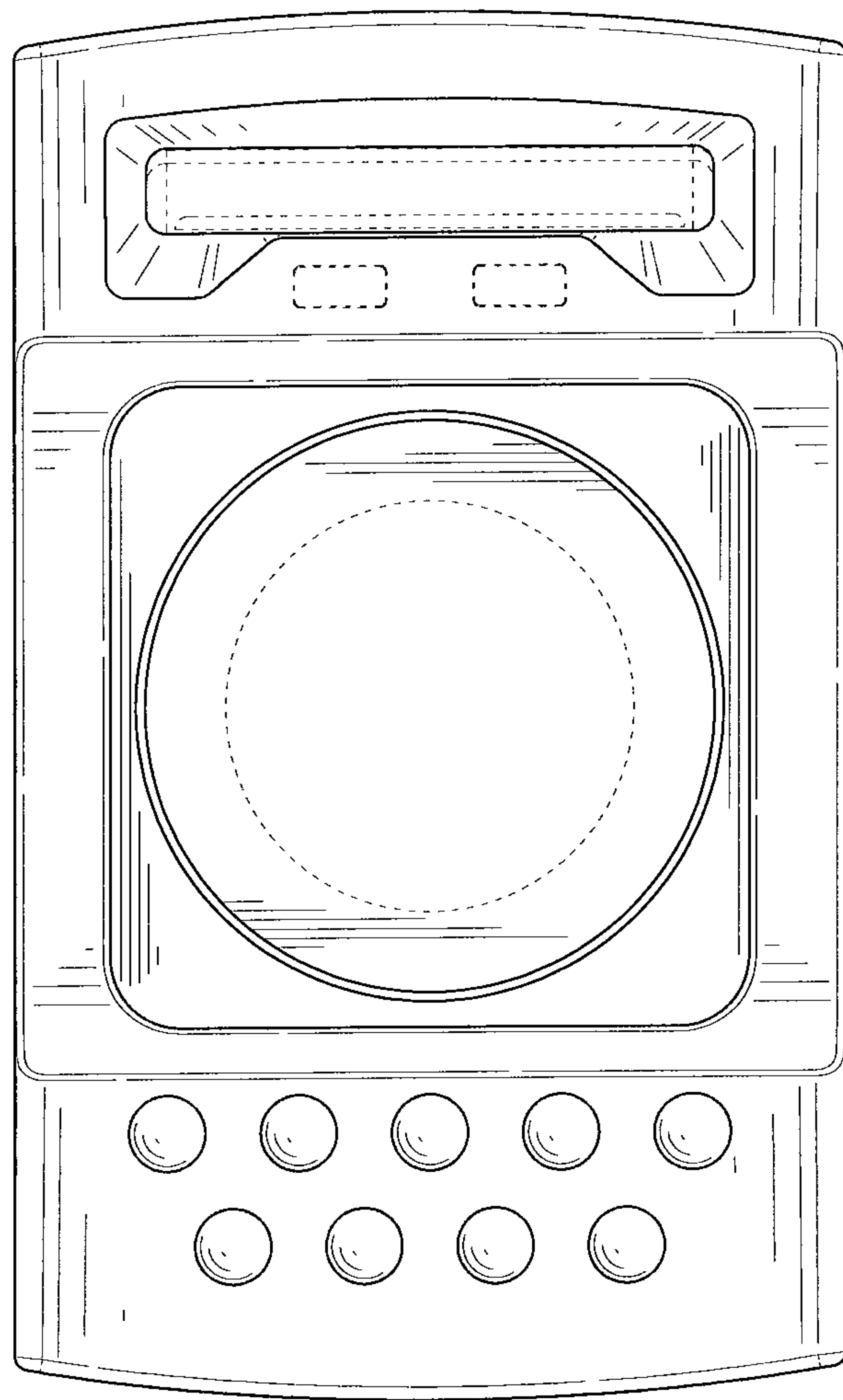


FIG. 5

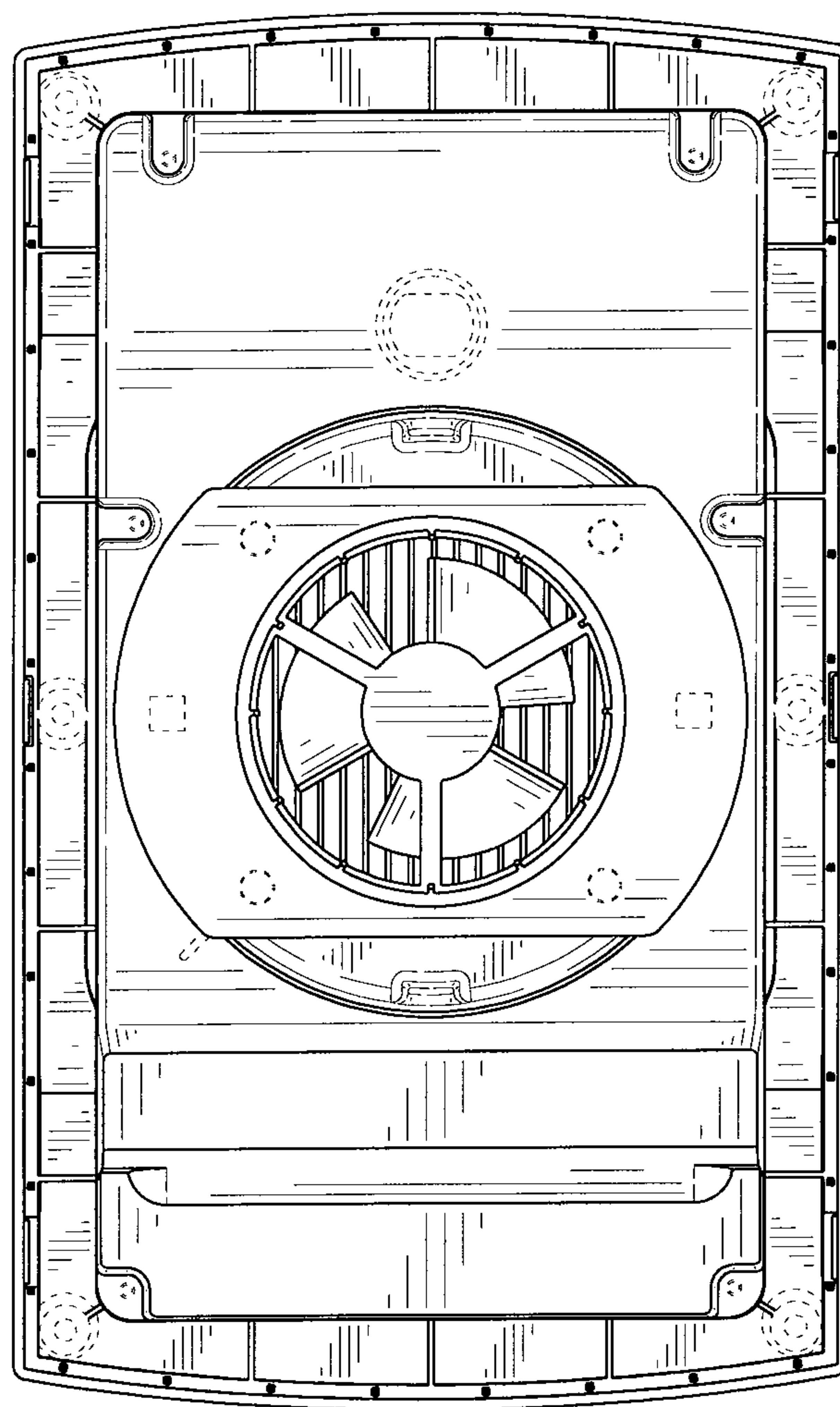


FIG. 6



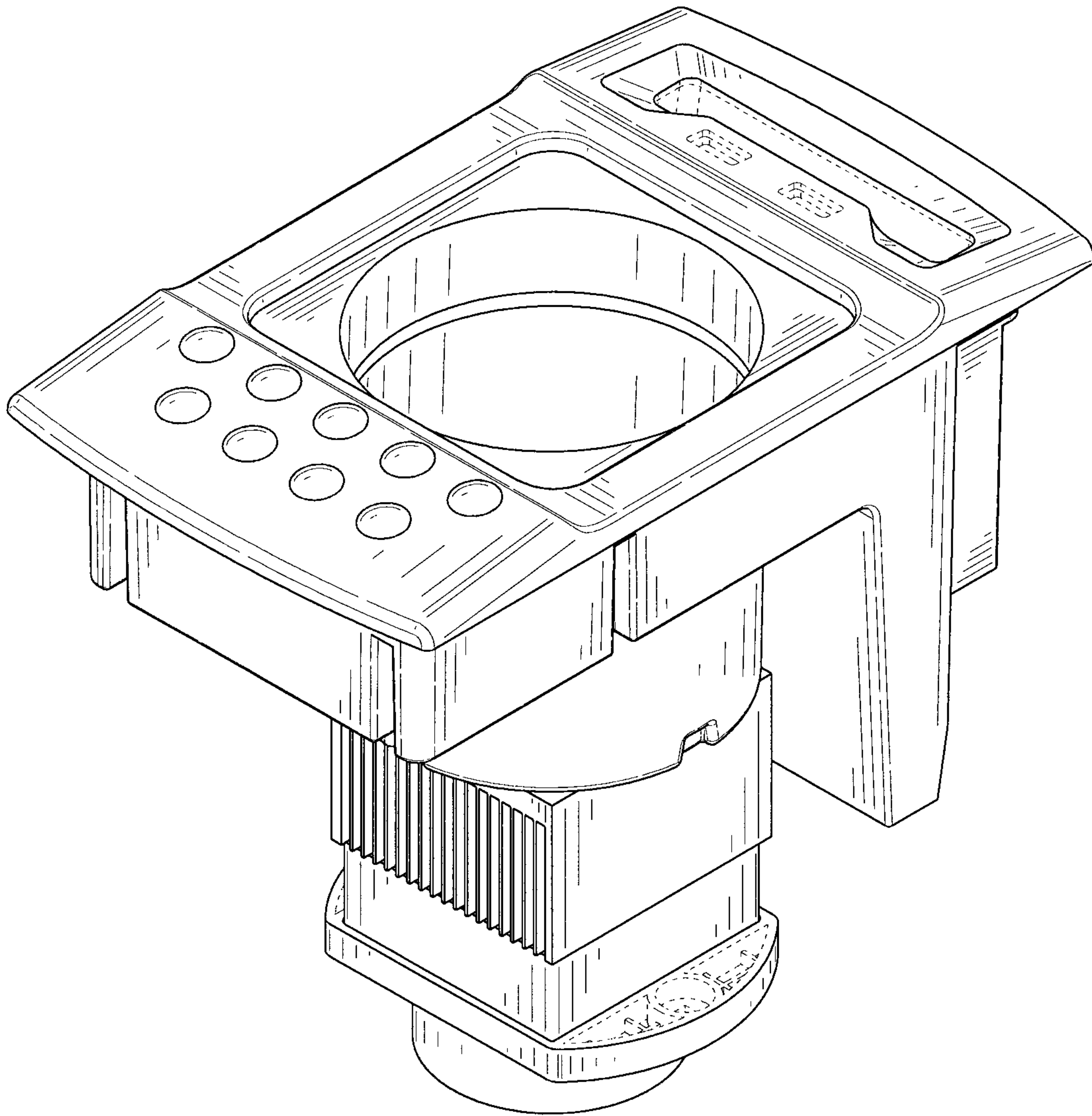


FIG. 7



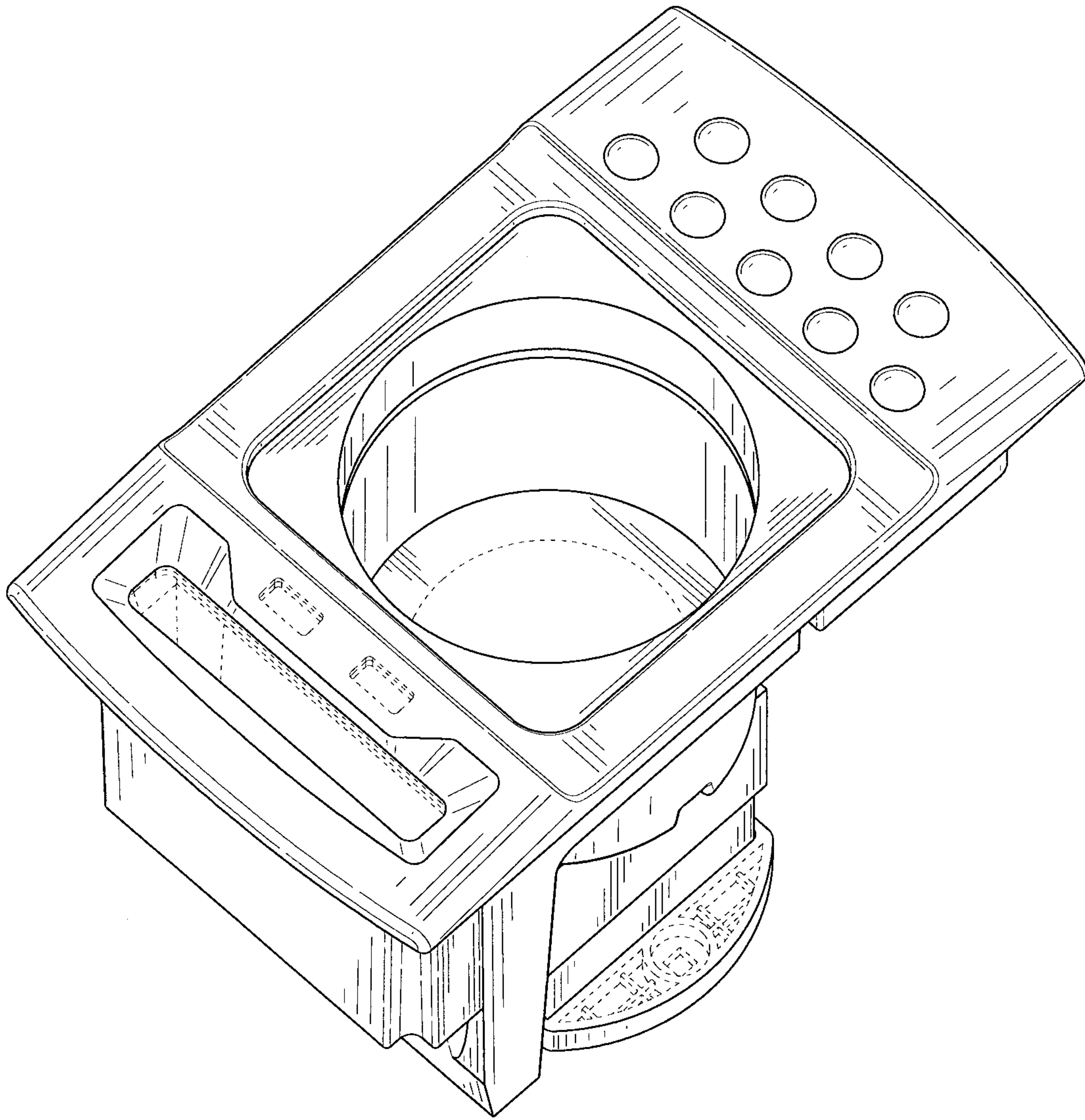


FIG. 8

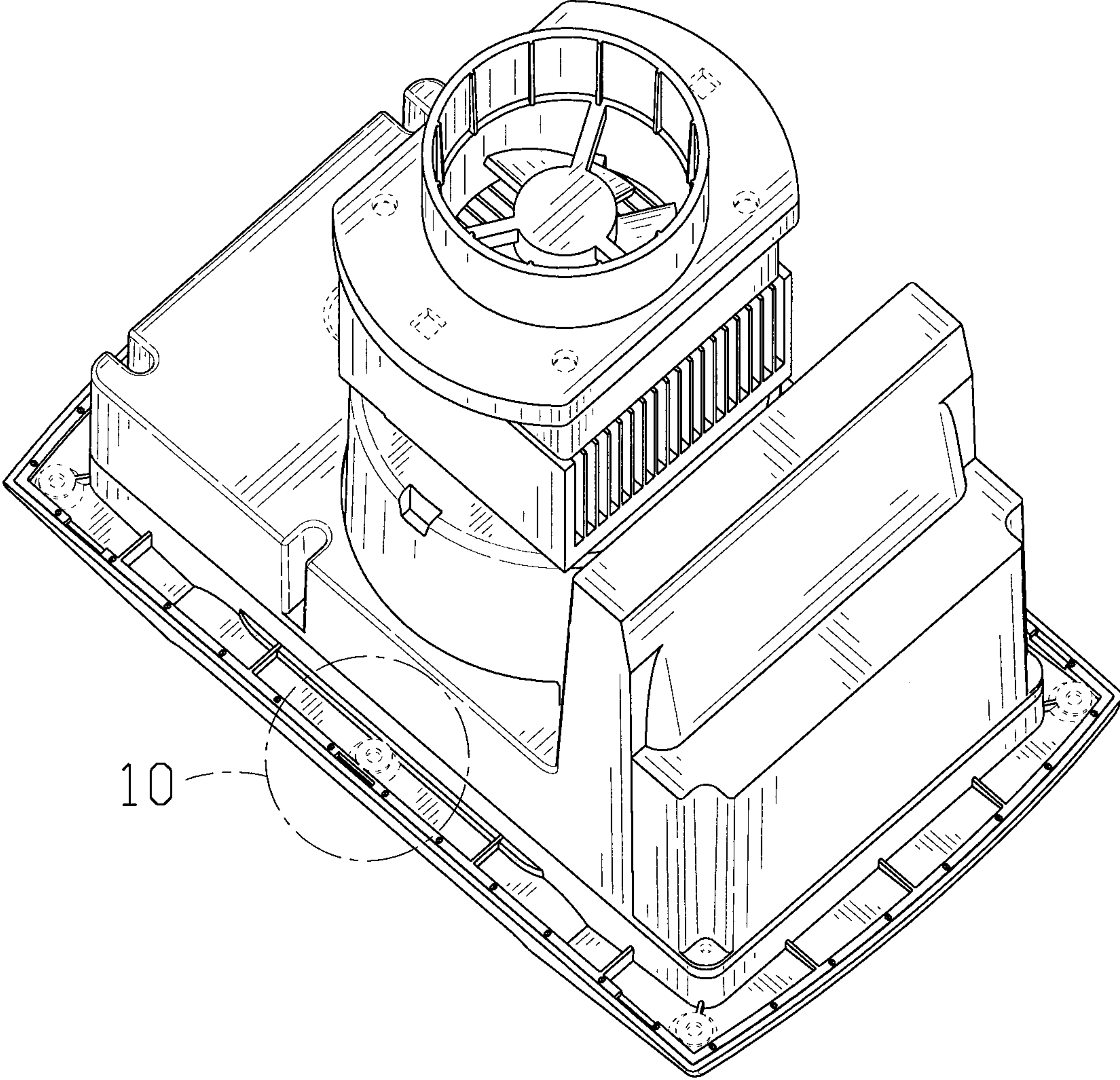


FIG. 9

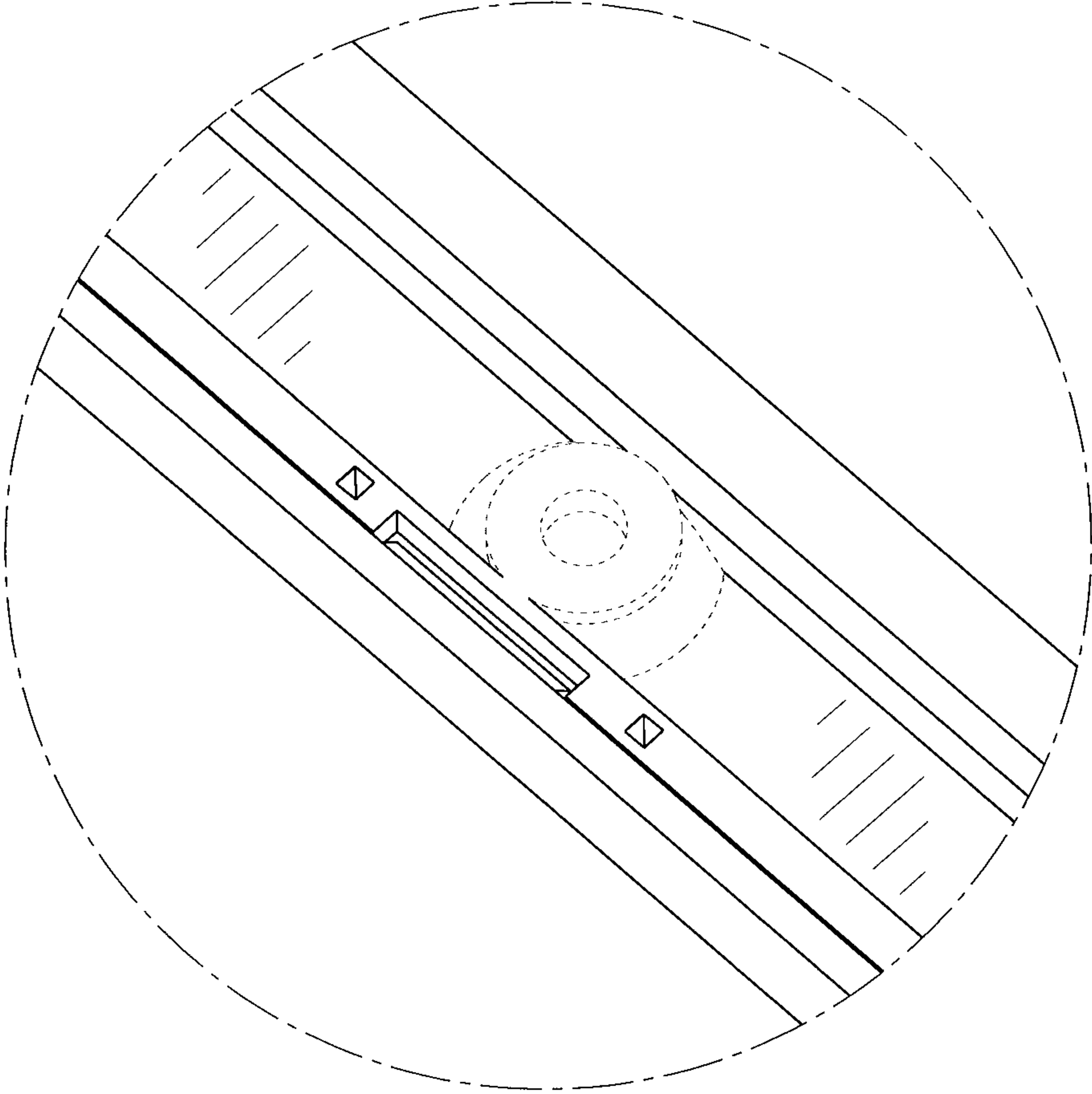


FIG. 10