



US00D947100S

(12) **United States Design Patent**  
**Linn et al.**

(10) **Patent No.:** **US D947,100 S**

(45) **Date of Patent:** **\*\* Mar. 29, 2022**

- (54) **TONNEAU HAVING A SOFT BOX**
- (71) Applicant: **Reliable Engineered Products, LLC**,  
Charlotte, MI (US)
- (72) Inventors: **Randy W. Linn**, Charlotte, MI (US);  
**Joseph T. Kolwick**, Grand Ledge, MI  
(US); **Thomas P. Nowicki**, Okemos, MI  
(US)
- (73) Assignee: **Reliable Engineered Products, LLC**,  
Charlotte, MI (US)
- (\*\*) Term: **15 Years**
- (21) Appl. No.: **29/796,317**
- (22) Filed: **Jun. 23, 2021**

D553,553 S *	10/2007	Taylor .....	D12/414
D578,467 S *	10/2008	Ohanyan .....	D12/414
D579,853 S *	11/2008	Stark .....	D12/414
D636,327 S *	4/2011	Miculka .....	D12/414
D638,778 S *	5/2011	Giddens .....	D12/414
D725,029 S *	3/2015	Halley .....	D12/414
D772,783 S *	11/2016	Schleef .....	D12/412
D863,202 S *	10/2019	Yu .....	D12/412
D877,041 S *	3/2020	Moctezuma .....	D12/412
D915,269 S *	4/2021	Badillo .....	D12/412
D927,402 S *	8/2021	Linn .....	D12/414

\* cited by examiner

*Primary Examiner* — Katrina A Betton

(74) *Attorney, Agent, or Firm* — Frank M. Scutch, III

(57) **CLAIM**

The ornamental design for a tonneau having a soft box, as shown and described.

**Related U.S. Application Data**

- (63) Continuation-in-part of application No. 29/677,345,  
filed on Jan. 18, 2019, now Pat. No. Des. 927,402.
- (51) **LOC (13) Cl.** ..... **12-16**
- (52) **U.S. Cl.**  
USPC ..... **D12/414**
- (58) **Field of Classification Search**  
USPC ..... D12/414, 407-414.1; D32/35, 58;  
D6/317-319, 513, 514  
CPC ..... B60R 9/00; B60R 2011/0042  
See application file for complete search history.

**DESCRIPTION**

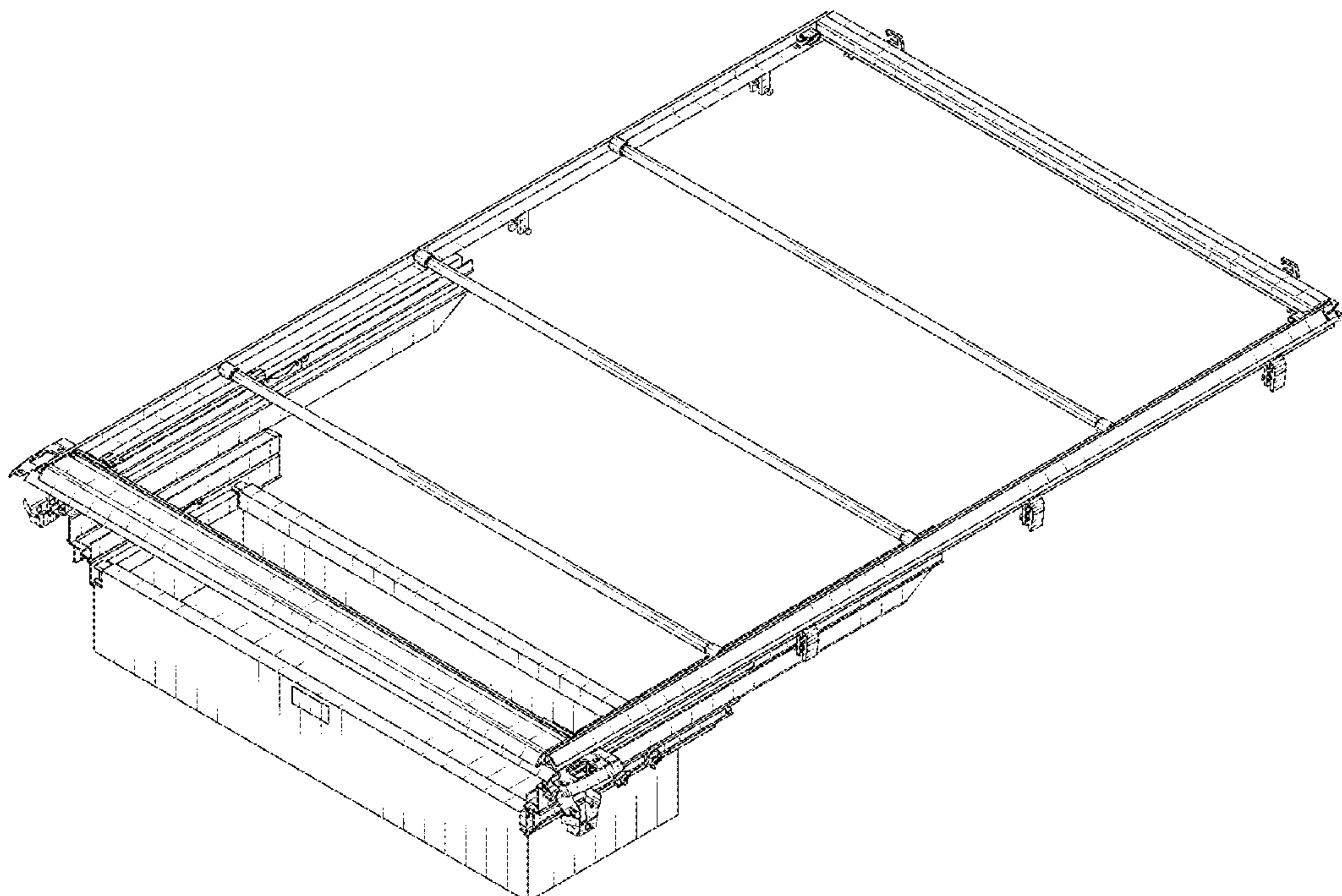
FIG. 1 is a front perspective view of a tonneau having a soft box showing our new design;  
 FIG. 2 is a front perspective view showing our new design positioned within a truck bed;  
 FIG. 3 is a front perspective view showing our new design extended from the truck bed;  
 FIG. 4 is a front view thereof;  
 FIG. 5 is a rear view thereof;  
 FIG. 6 is a right-side view thereof;  
 FIG. 7 is a left-side view thereof;  
 FIG. 8 is a top view thereof; and,  
 FIG. 9 is a bottom view thereof.  
 Phantom lines are for illustrative purposes only and form no part of the claimed design.

(56) **References Cited**

**U.S. PATENT DOCUMENTS**

D494,921 S *	8/2004	Taylor .....	D12/414
D553,072 S *	10/2007	Smith .....	D12/414

**1 Claim, 7 Drawing Sheets**



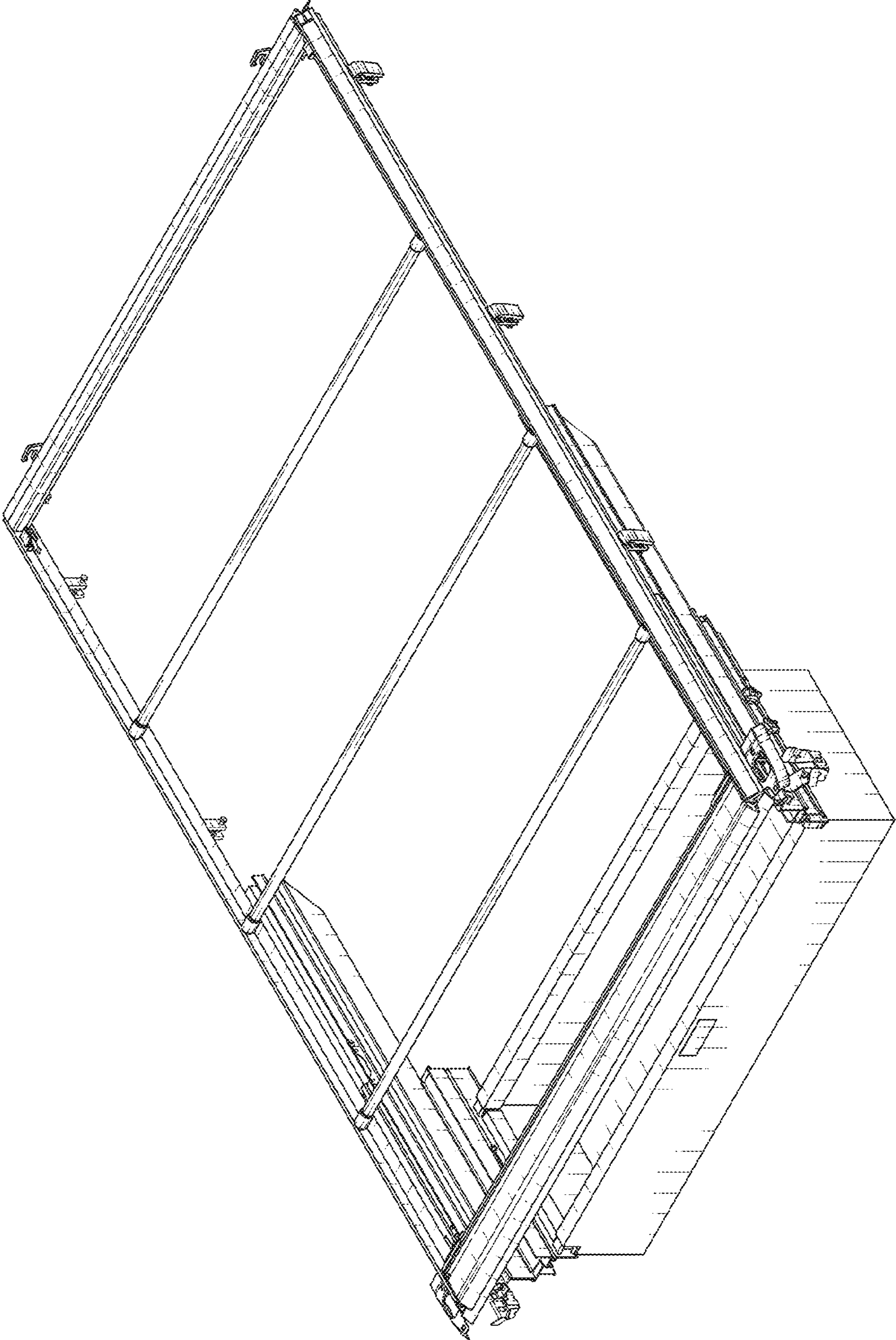


FIG. 1

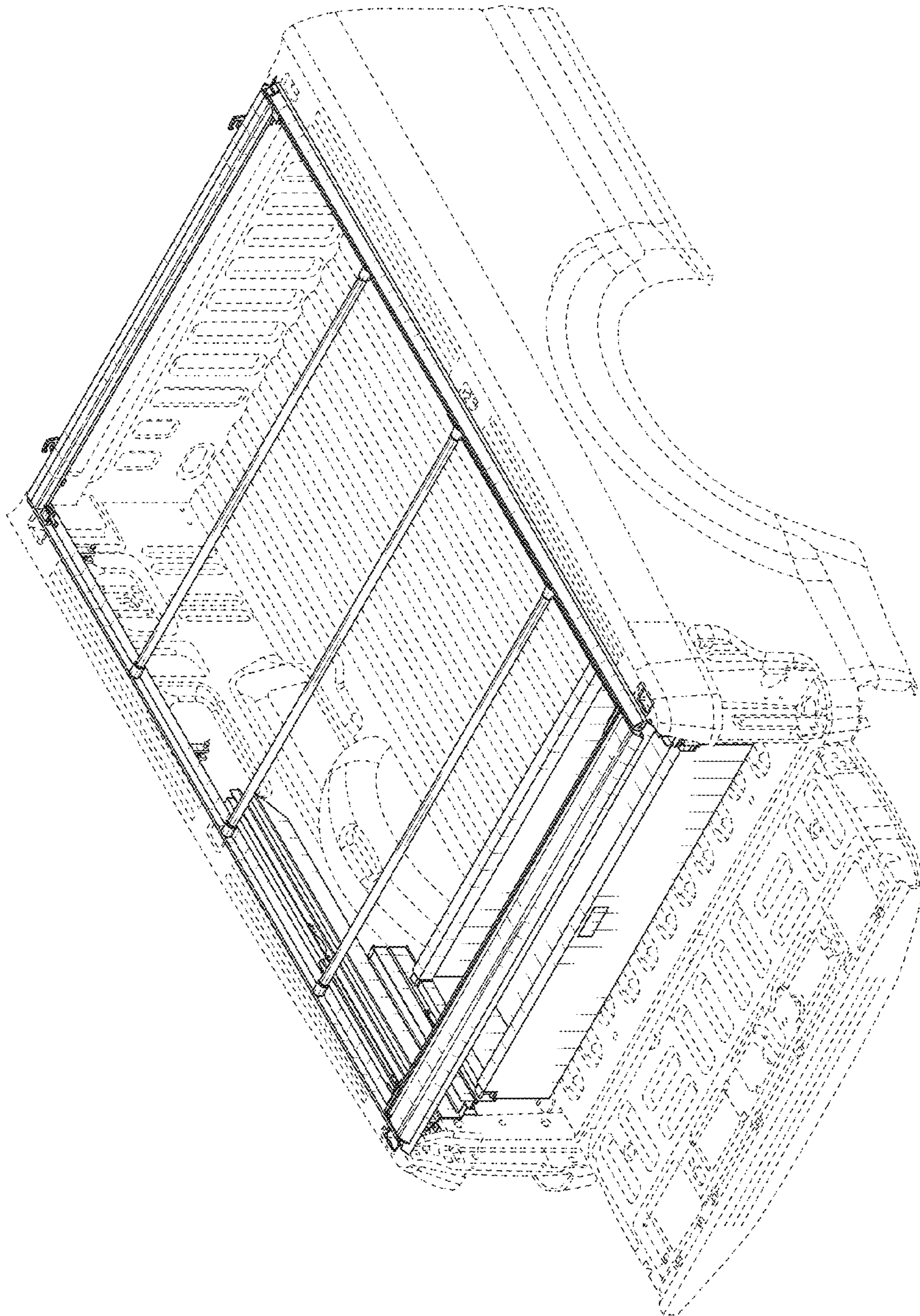


FIG. 2

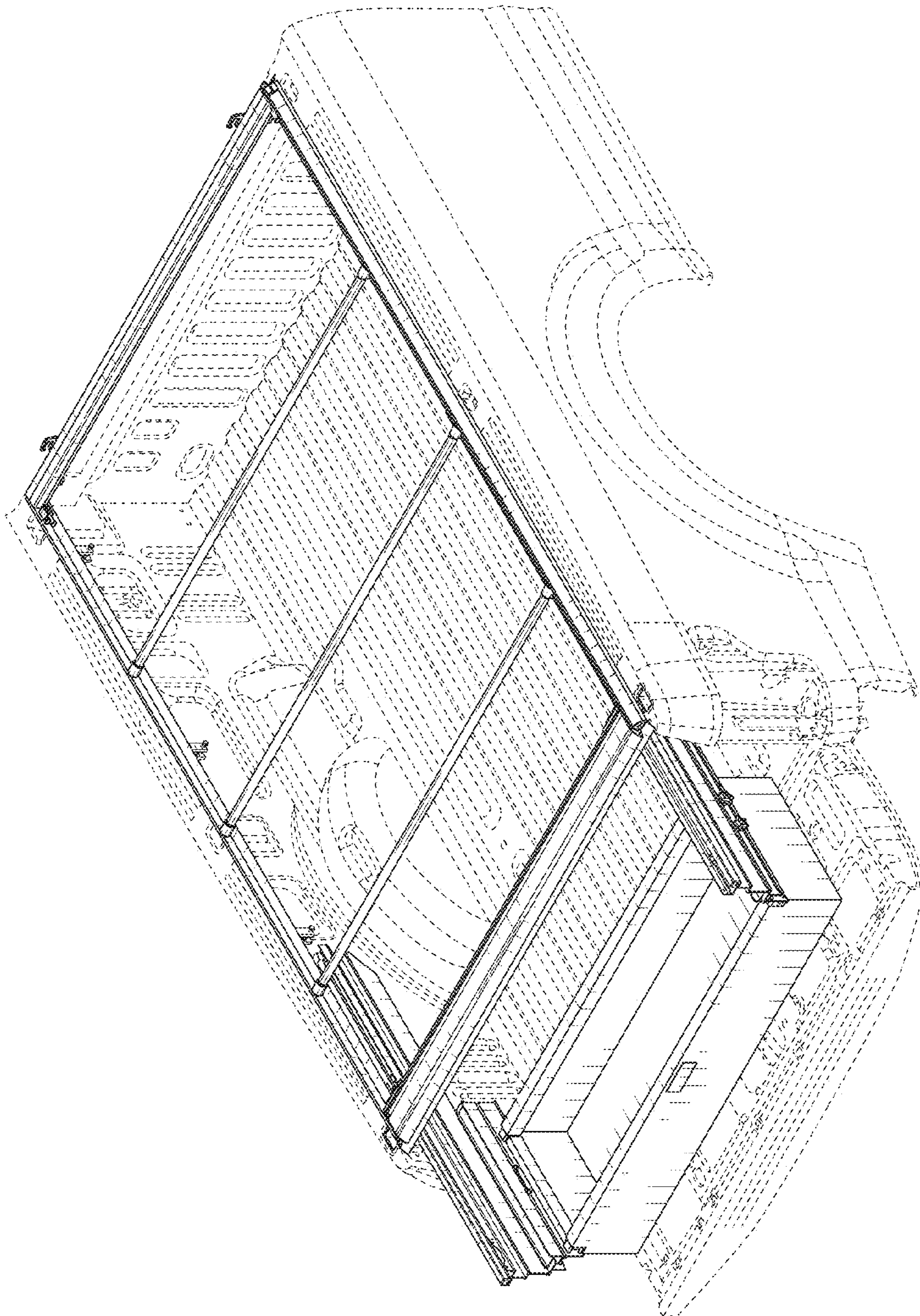


FIG. 3

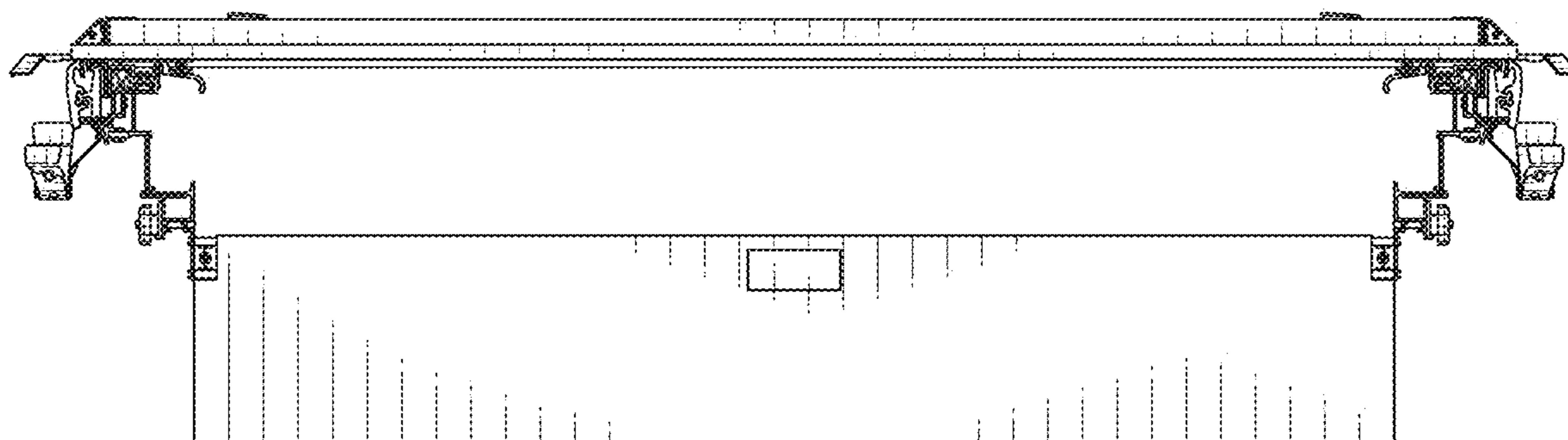


FIG. 4

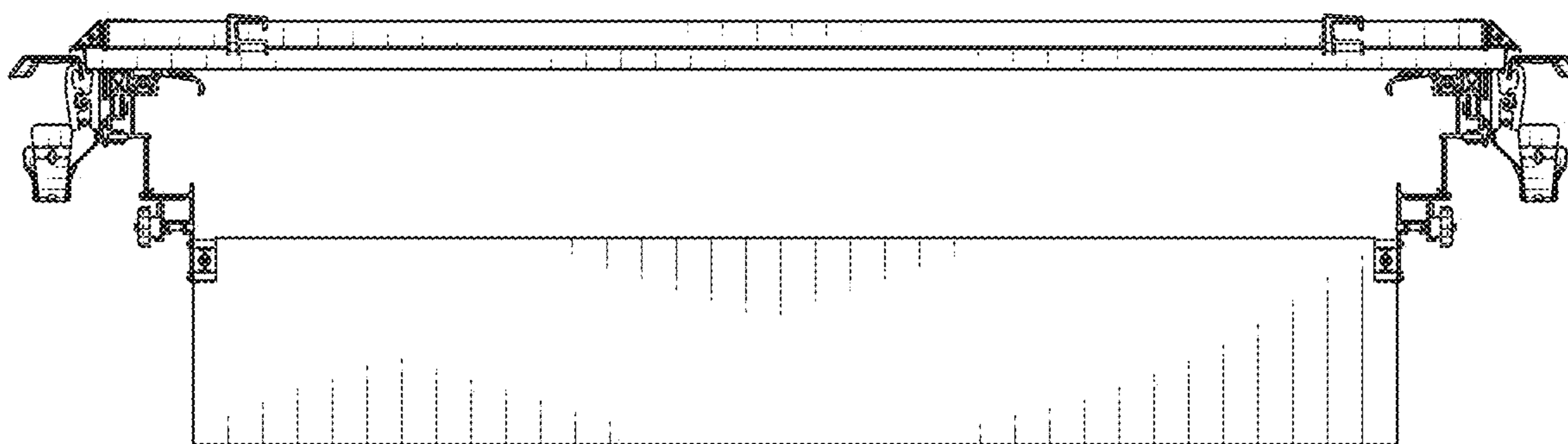


FIG. 5

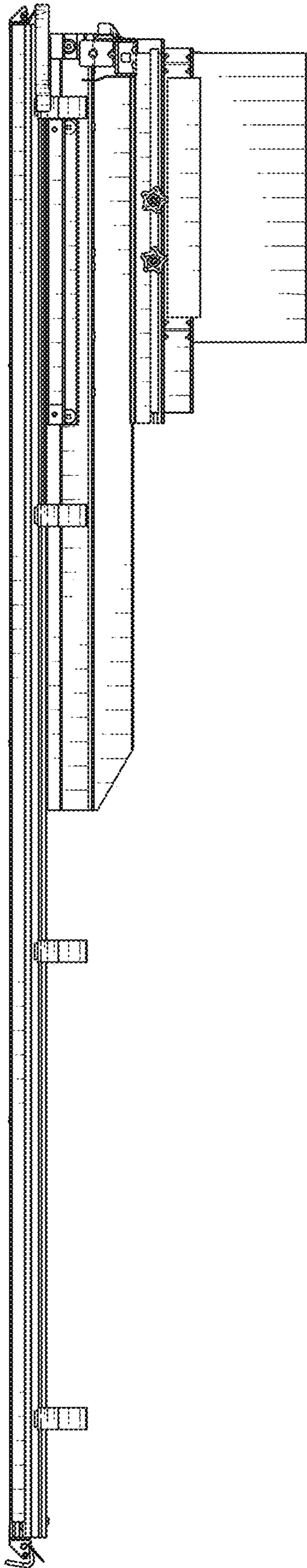


FIG. 6

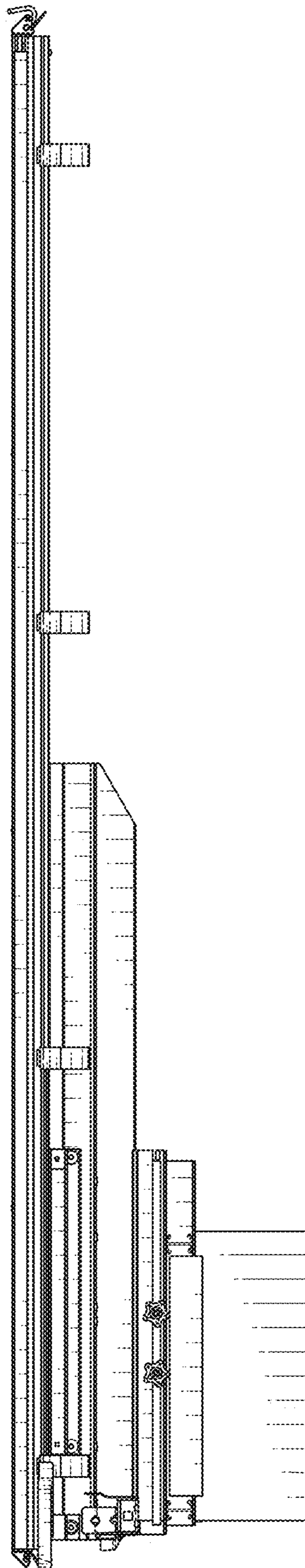


FIG. 7

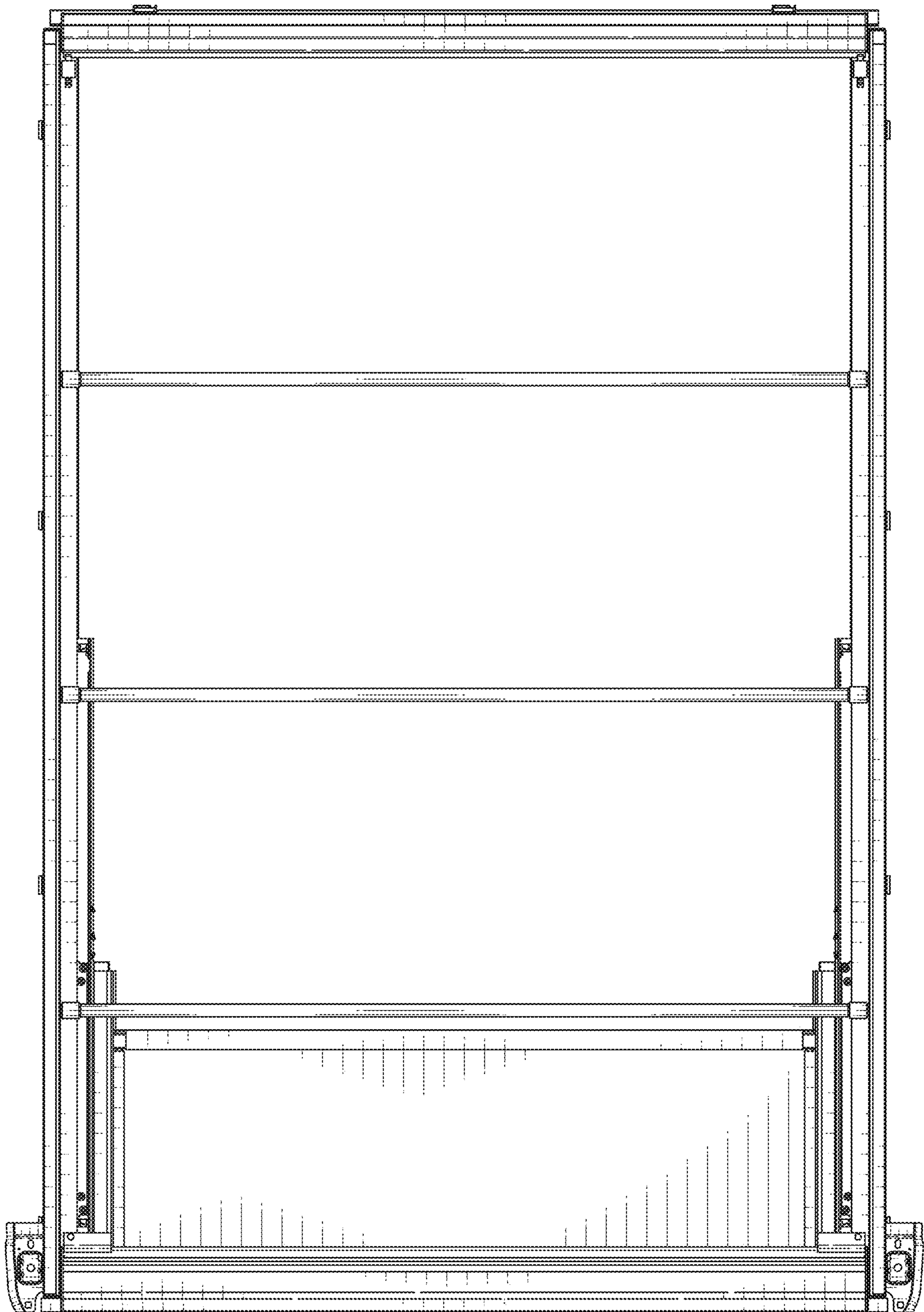


FIG. 8

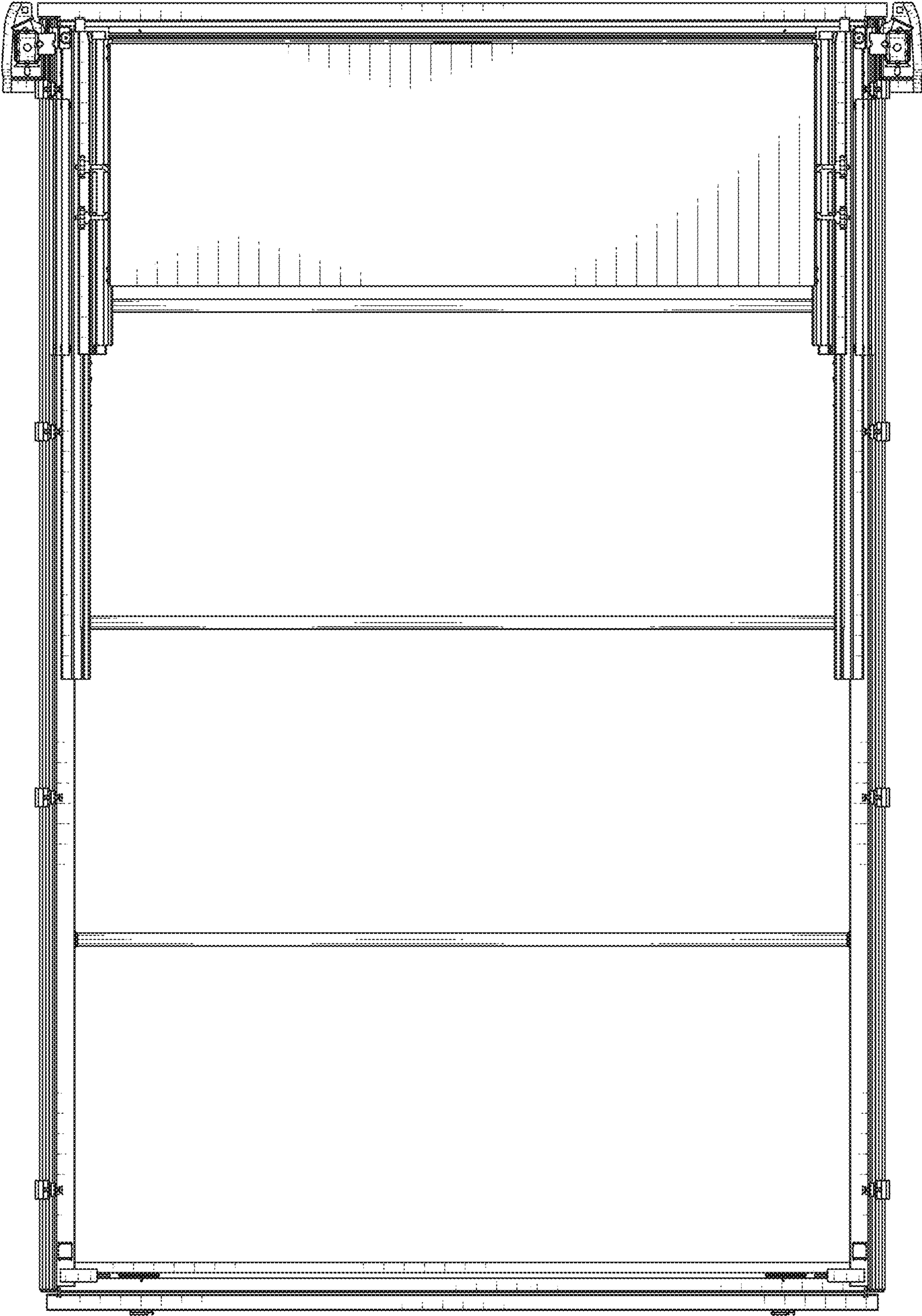


FIG. 9