



US00D947099S

(12) **United States Design Patent**  
**Song**

(10) **Patent No.:** **US D947,099 S**

(45) **Date of Patent:** **\*\* Mar. 29, 2022**

(54) **VEHICLE STORAGE BOX**

(71) Applicant: **Tingzhi Song**, Shenzhen (CN)

(72) Inventor: **Tingzhi Song**, Shenzhen (CN)

(\*\*) Term: **15 Years**

(21) Appl. No.: **29/777,542**

(22) Filed: **Apr. 7, 2021**

(51) **LOC (13) Cl.** ..... **12-16**

(52) **U.S. Cl.**  
USPC ..... **D12/414**

(58) **Field of Classification Search**  
USPC ..... D12/414, 414.1, 406-413; D6/317-319,  
D6/513, 314; D32/35, 58  
CPC ..... B60R 2011/0042; B60R 9/00  
See application file for complete search history.

(56) **References Cited**

**U.S. PATENT DOCUMENTS**

D636,327 S *	4/2011	Miculka	.....	D12/414
D638,778 S *	5/2011	Giddens	.....	D12/414
D656,081 S	3/2012	Yonai et al.		
D659,074 S *	5/2012	Read	.....	D12/414

D679,906 S *	4/2013	Gros	.....	D3/273
D717,229 S *	11/2014	Cook	.....	D12/414
D771,544 S *	11/2016	Christofferson	.....	D12/414.1
D772,141 S *	11/2016	Christofferson	.....	D12/414.1
D789,087 S	6/2017	Harrah		
D811,987 S *	3/2018	Mueller	.....	D12/414.1
D816,587 S *	5/2018	Perkins	.....	D12/414.1
D883,183 S *	5/2020	Tollefson	.....	D12/414
D912,607 S *	3/2021	Yu	.....	D12/414
D927,402 S *	8/2021	Linn	.....	D12/414

\* cited by examiner

*Primary Examiner* — Katrina A Betton

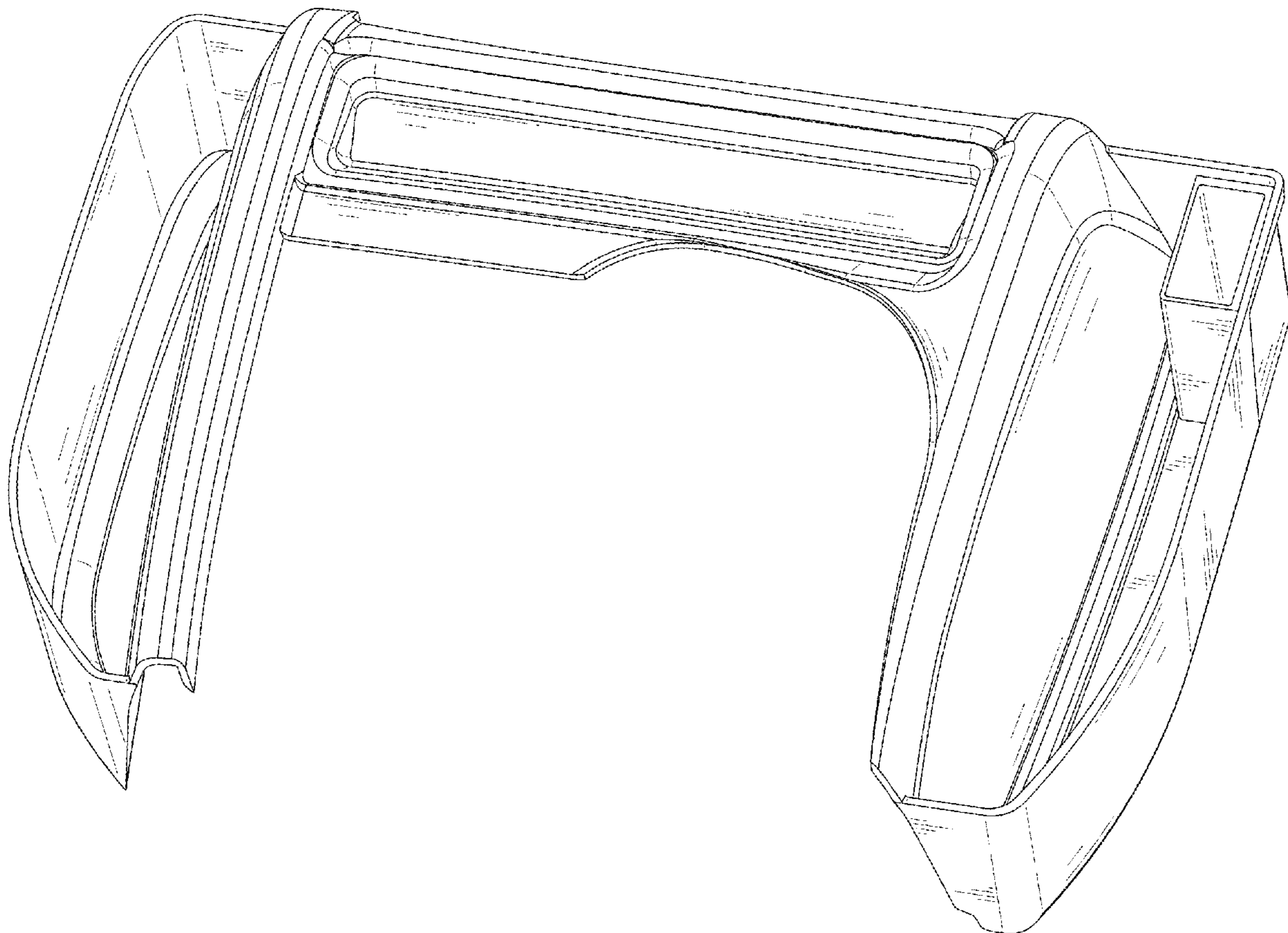
(57) **CLAIM**

The ornamental design for a vehicle storage box, as shown and described.

**DESCRIPTION**

FIG. 1 is a perspective view of a vehicle storage box showing my new design;  
FIG. 2 is another perspective view thereof;  
FIG. 3 is a front elevational view thereof;  
FIG. 4 is a rear elevational view thereof;  
FIG. 5 is a left side elevational view thereof;  
FIG. 6 is a right side elevational view thereof;  
FIG. 7 is a top plan view thereof; and,  
FIG. 8 is a bottom plan view thereof.

**1 Claim, 8 Drawing Sheets**



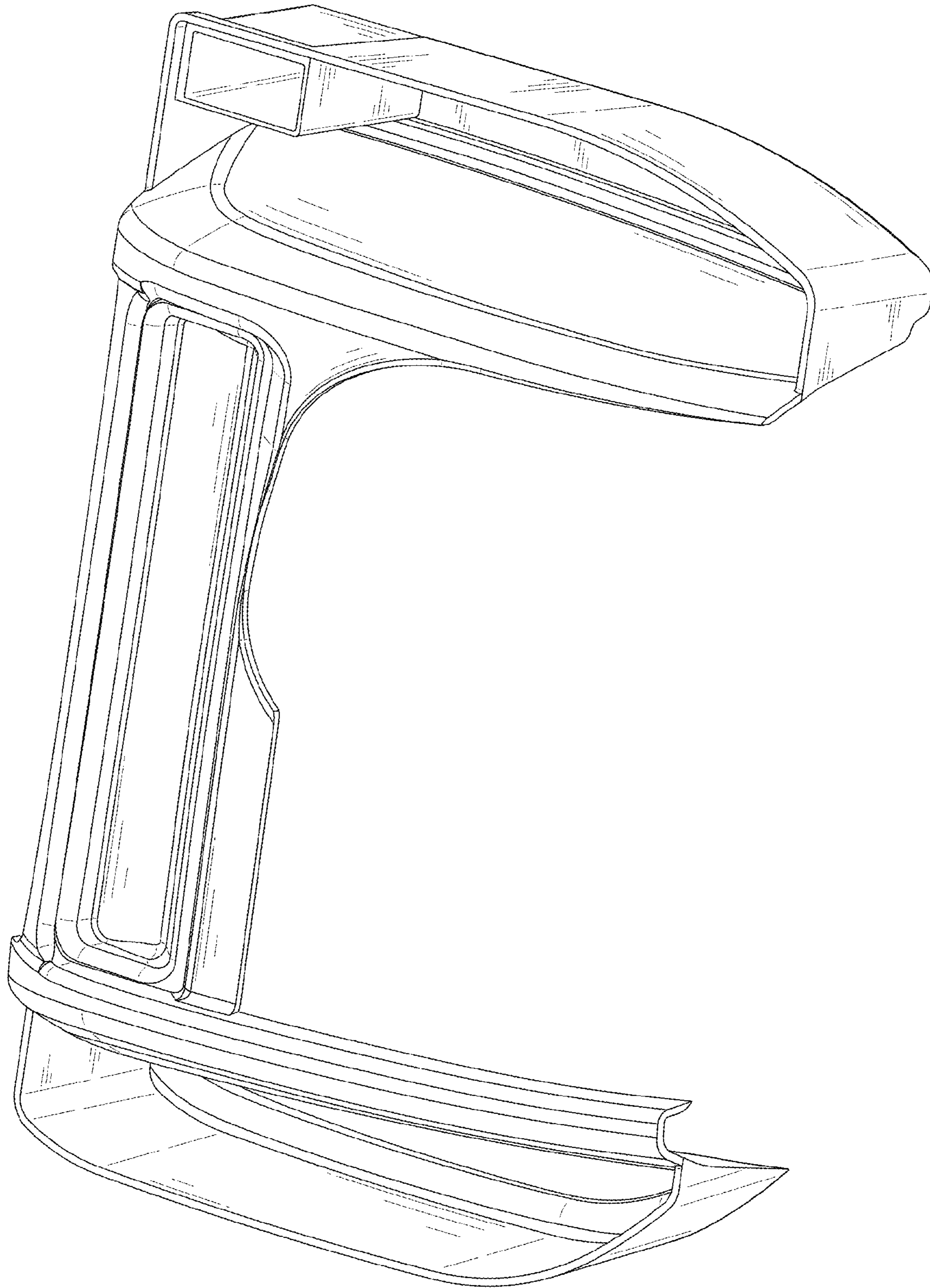


FIG. 1

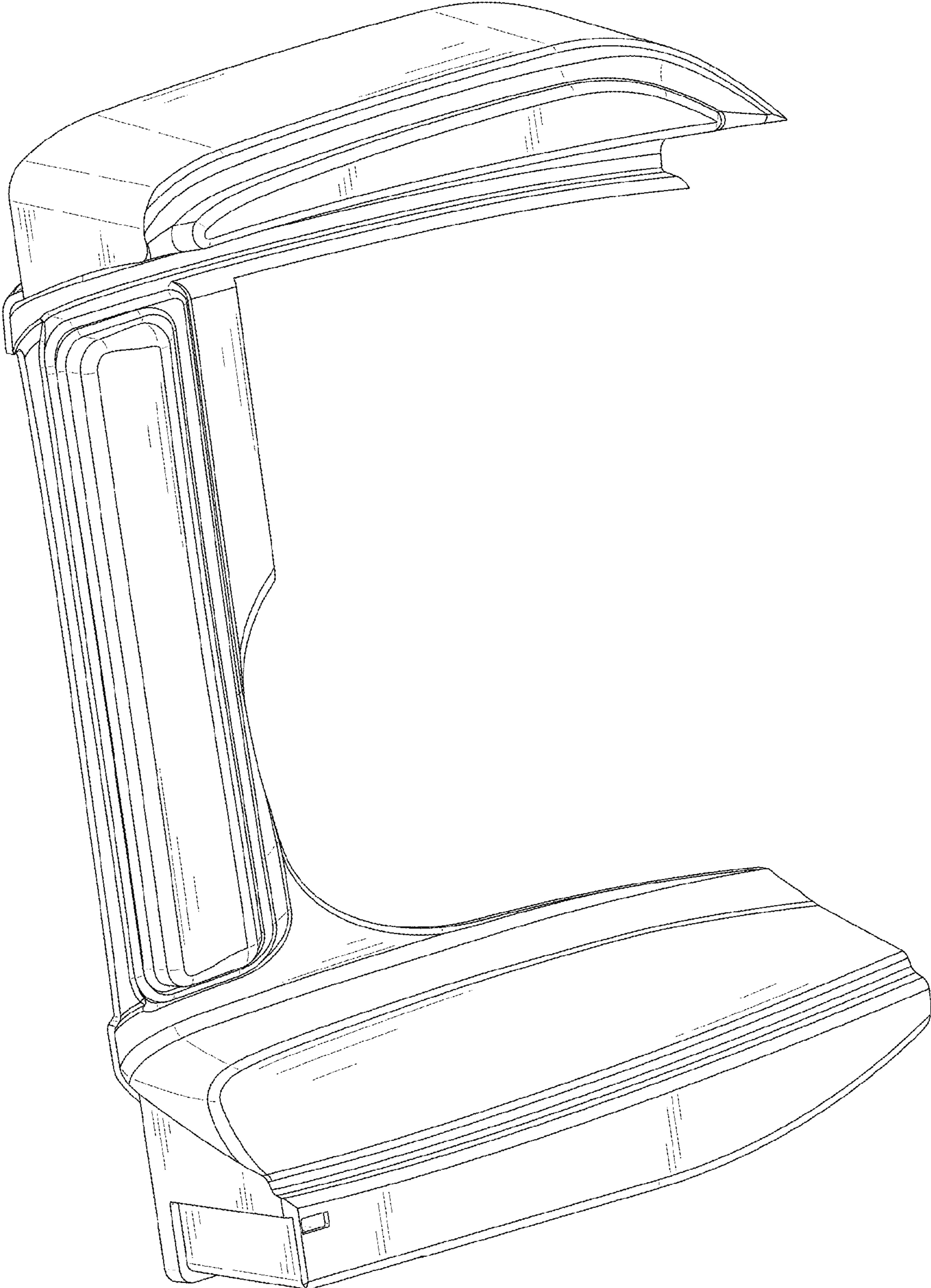


FIG. 2



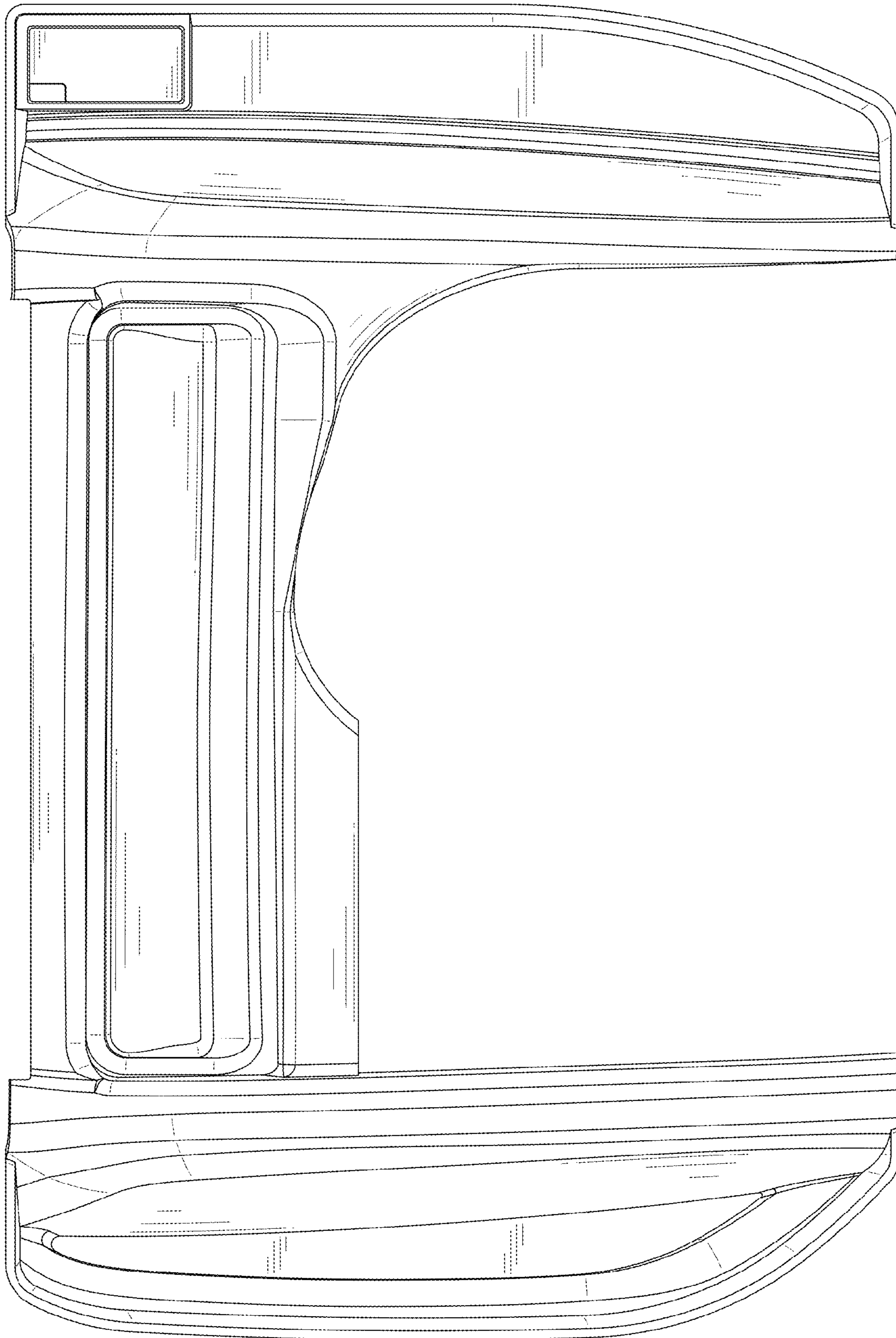


FIG. 3

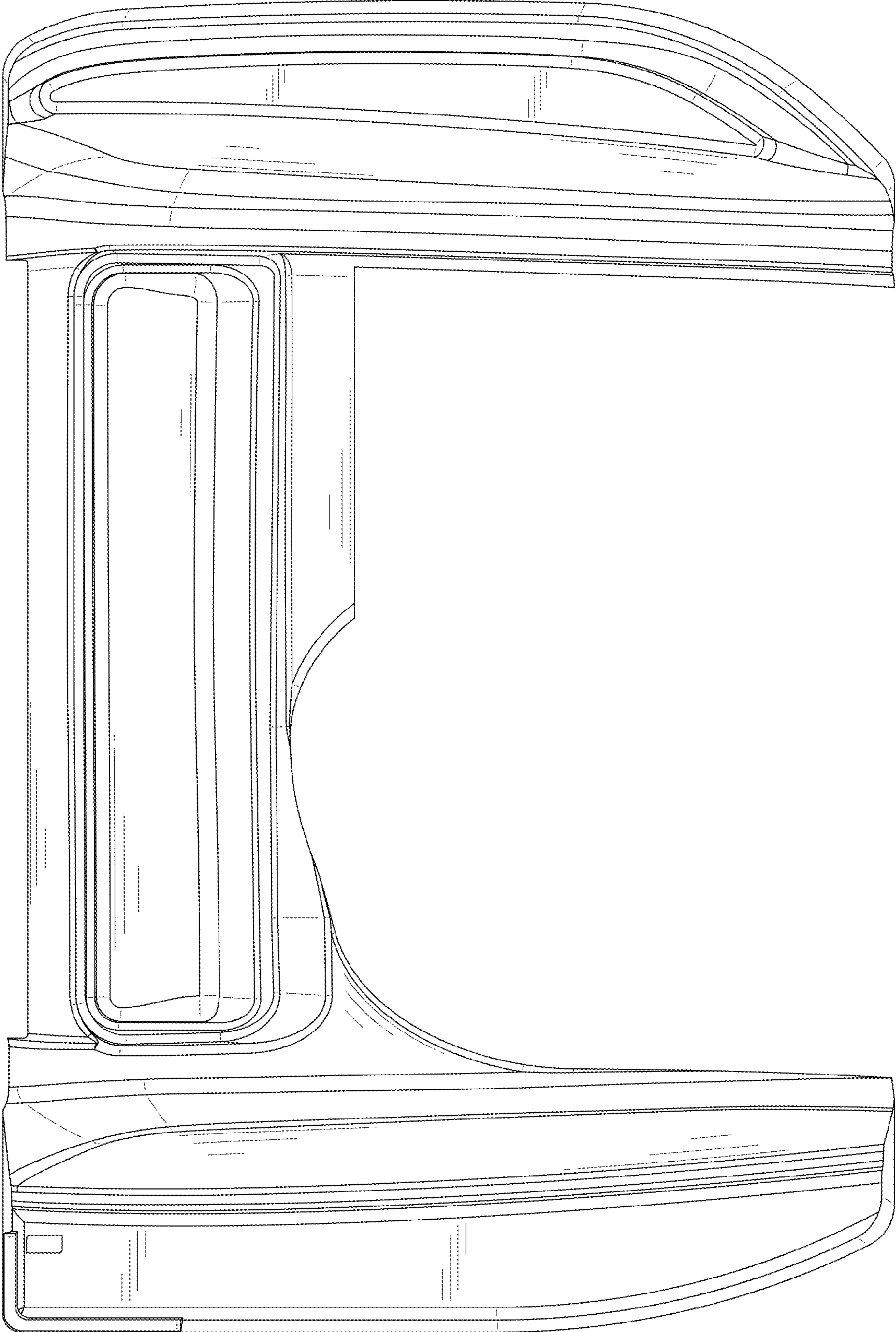


FIG. 4

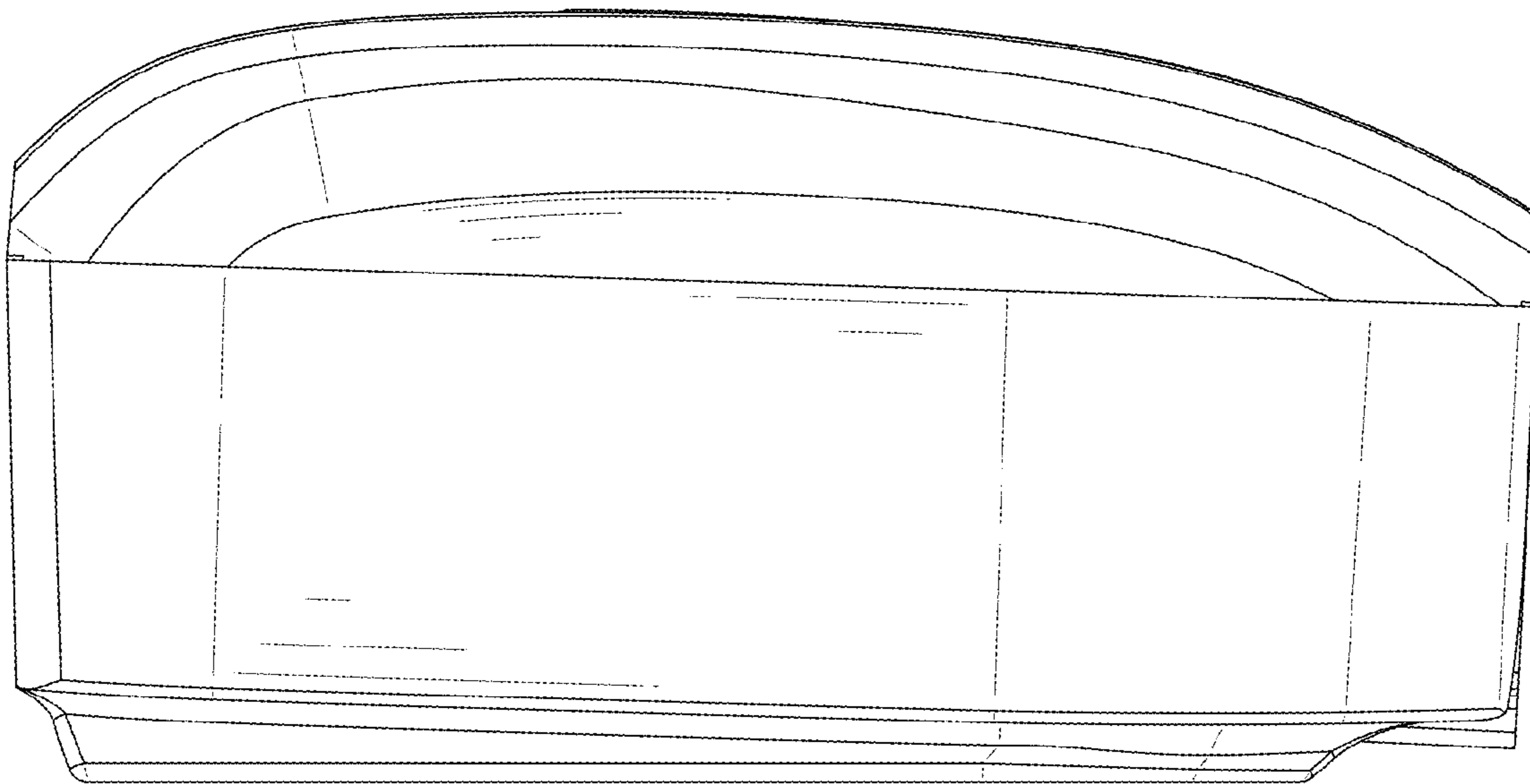


FIG. 5

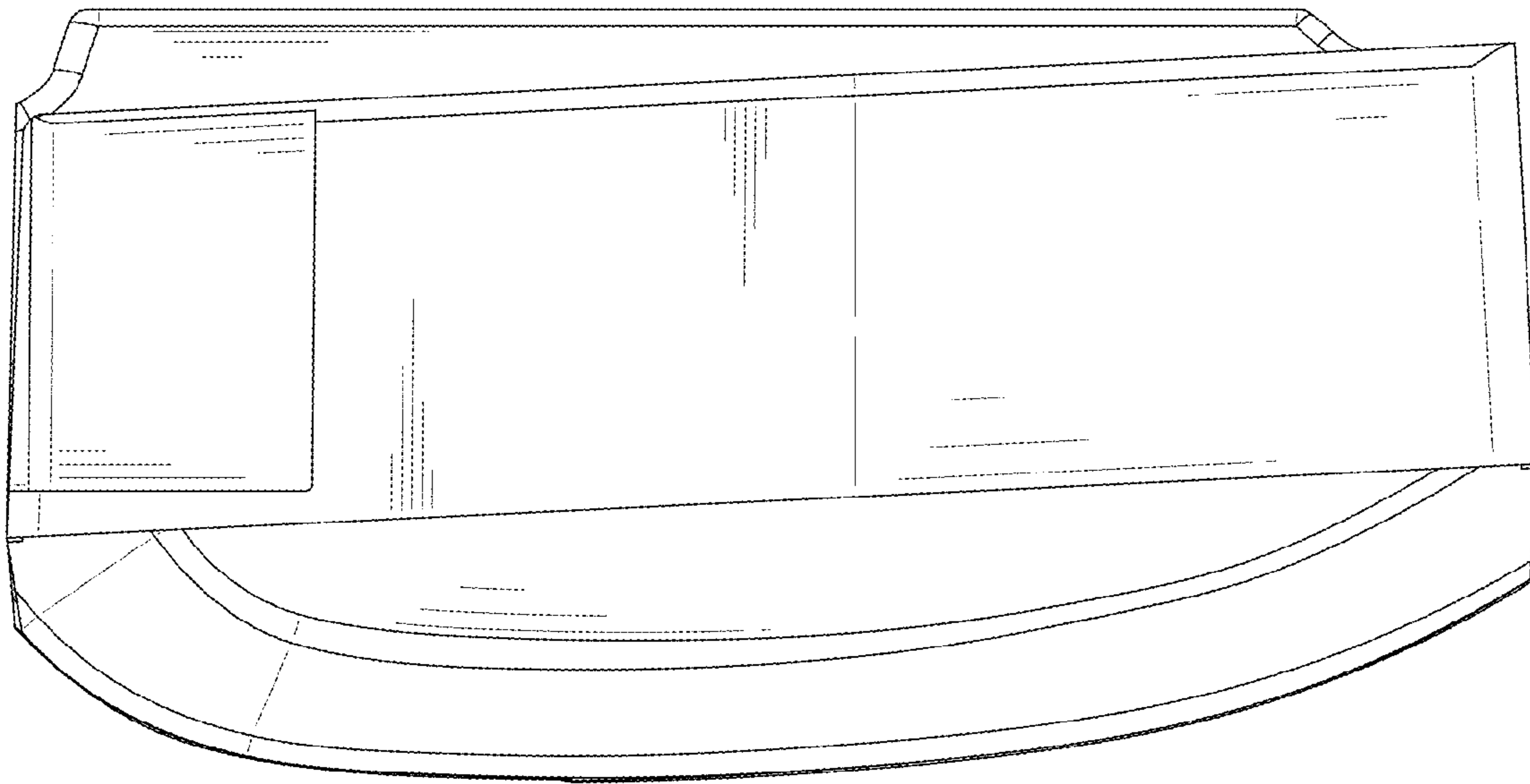


FIG. 6

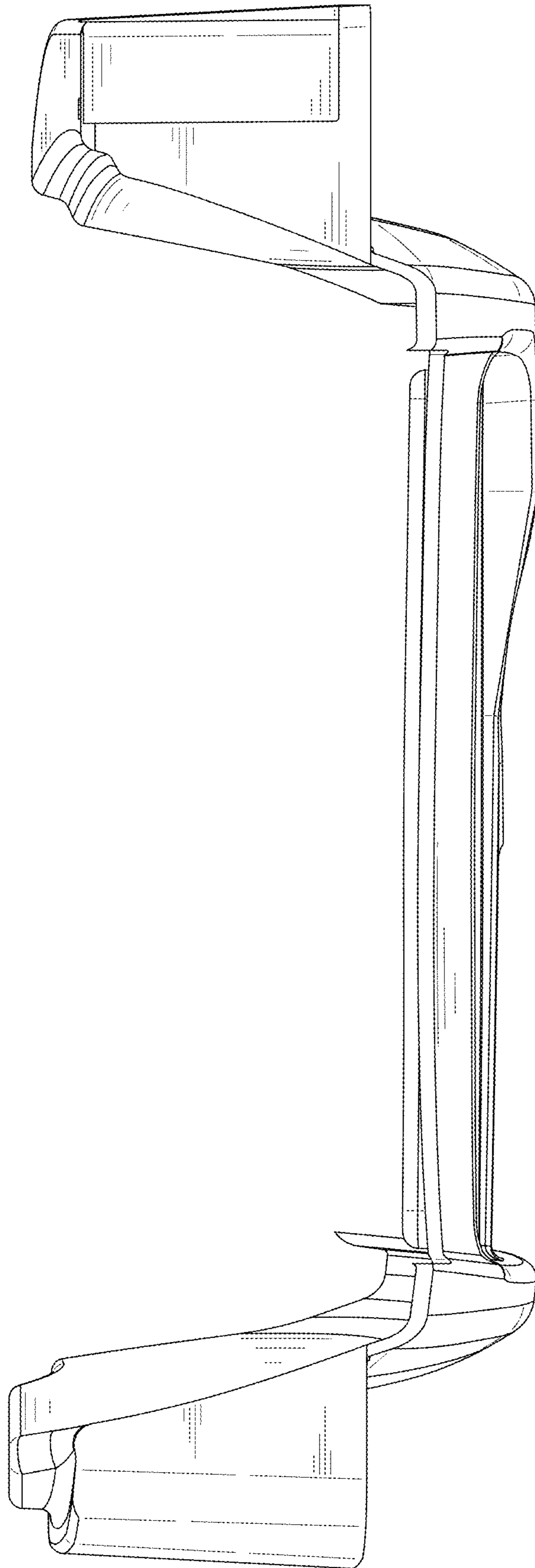


FIG. 7



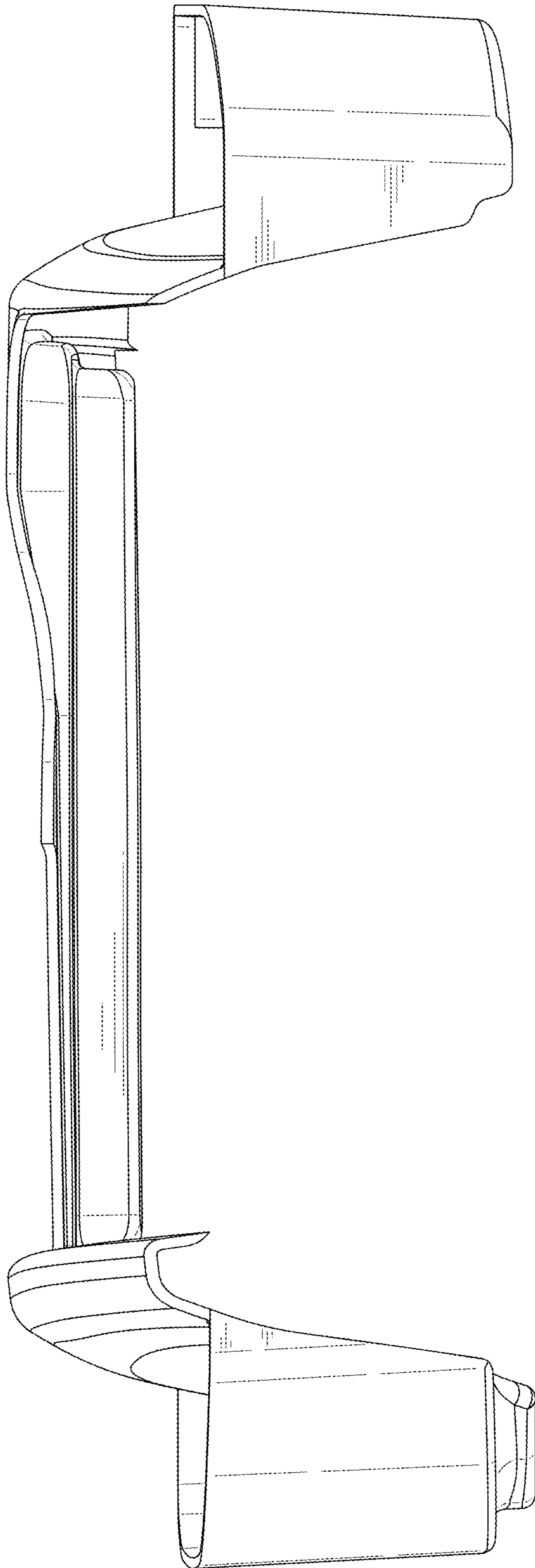


FIG. 8