



US00D947097S

(12) **United States Design Patent**  
**Connellan**

(10) **Patent No.: US D947,097 S**

(45) **Date of Patent: \*\* \*Mar. 29, 2022**

(54) **UNDERBAR FOR ROOF RACK WITH APERTURE/WINDOW**

(71) Applicant: **Rhino Rack Australia Pty Limited**,  
Eastern Creek (AU)

(72) Inventor: **Adam Connellan**, Sydney (AU)

(73) Assignee: **Rhino Rack Australia Pty Limited**,  
Eastern Creek (AU)

(\*) Notice: This patent is subject to a terminal disclaimer.

(\*\*) Term: **15 Years**

(21) Appl. No.: **29/730,175**

(22) Filed: **Apr. 2, 2020**

(30) **Foreign Application Priority Data**

Oct. 2, 2019 (AU) ..... 201915711

(51) **LOC (13) Cl.** ..... **12-16**

(52) **U.S. Cl.**  
USPC ..... **D12/412**

(58) **Field of Classification Search**  
USPC ..... D12/401, 402, 403, 404, 405, 406, 407,  
D12/408, 409, 410, 411, 412, 413, 414,  
D12/414.1; D32/35, 58; D6/513, 514,  
D6/552; D3/304, 305, 306  
CPC .... B60R 9/00; B60R 9/02; B60R 9/04; B60R  
9/042; B60R 9/0423; B60R 9/0426; B60R  
9/045; B60R 9/048; B60R 9/0485; B60R  
9/05; B60R 9/052; B60R 9/055; B60R  
9/058; B60R 9/06; B60R 9/065; B60R  
9/08; B60R 9/10; B60R 9/12; B60R  
11/00; B60R 11/06; B60R 2011/004;  
B60R 2011/0042; B60P 7/0815; B62D  
33/0207

See application file for complete search history.

(56) **References Cited**

U.S. PATENT DOCUMENTS

4,225,068 A \* 9/1980 Ingram ..... B60R 9/04  
224/325  
6,997,657 B1 \* 2/2006 Saward ..... B60R 9/045  
224/315  
D633,031 S \* 2/2011 Robertson ..... B60R 9/045  
D12/412  
D855,551 S \* 8/2019 Shen ..... D12/412  
D861,576 S \* 10/2019 Cropley ..... D12/412  
D869,379 S \* 12/2019 Eriksson ..... D12/414  
D877,686 S \* 3/2020 Connellan ..... D12/412  
2016/0229349 A1 \* 8/2016 Cropley ..... B60R 9/058

(Continued)

FOREIGN PATENT DOCUMENTS

DE 4320764 A1 \* 1/1994 ..... B60R 9/052  
DE 19926478 A1 \* 12/1999 ..... B60R 9/052

(Continued)

*Primary Examiner* — Cary M Robinson

*Assistant Examiner* — Adam C Mager

(74) *Attorney, Agent, or Firm* — Bakos & Kritzer

(57) **CLAIM**

The ornamental design for an underbar for roof rack with aperture/window, as shown and described.

**DESCRIPTION**

FIG. 1 is a top perspective view of an underbar for roof rack with aperture/window showing the new design.

FIG. 2 is a bottom perspective view thereof;

FIG. 3 is a top view thereof;

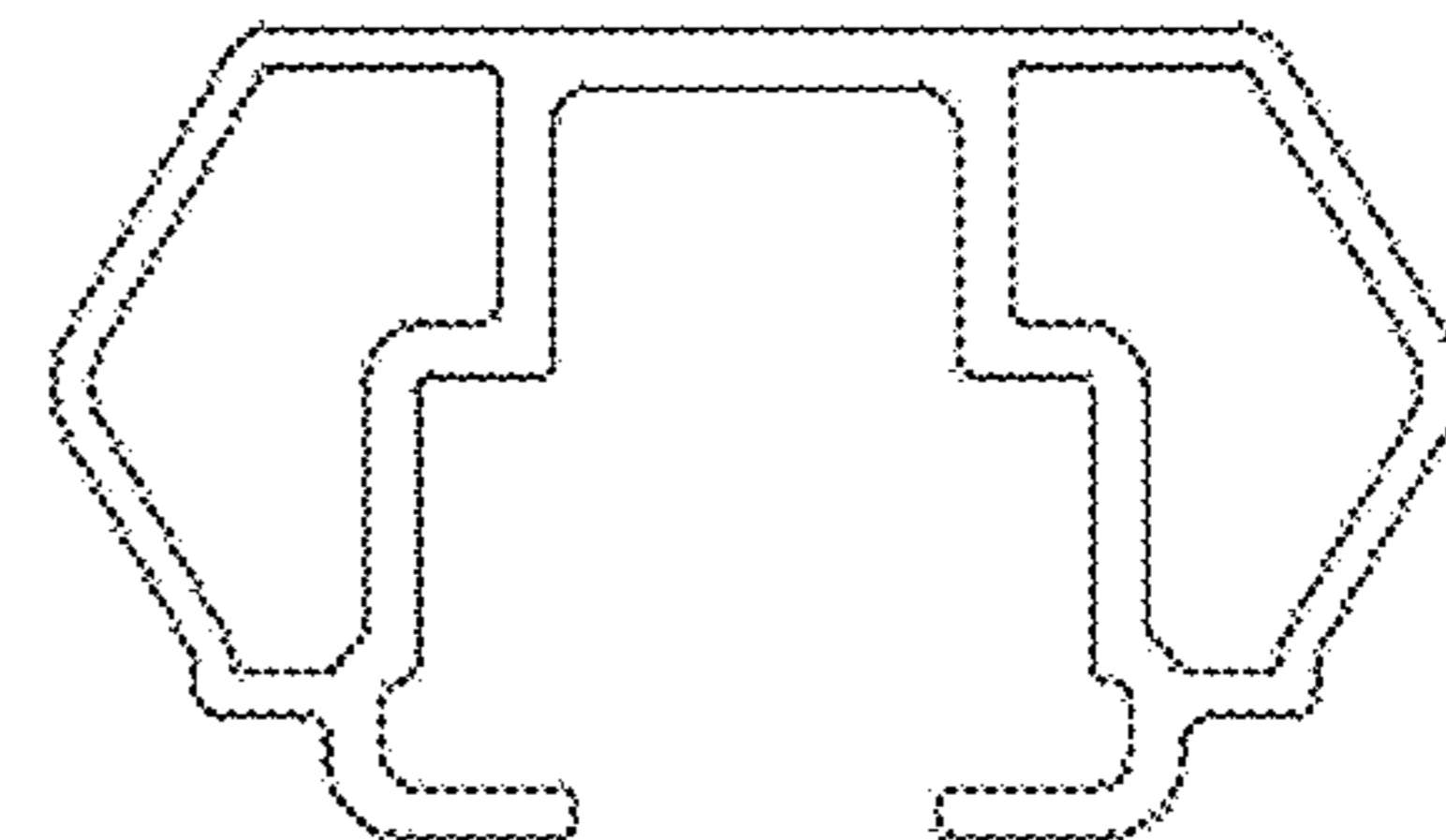
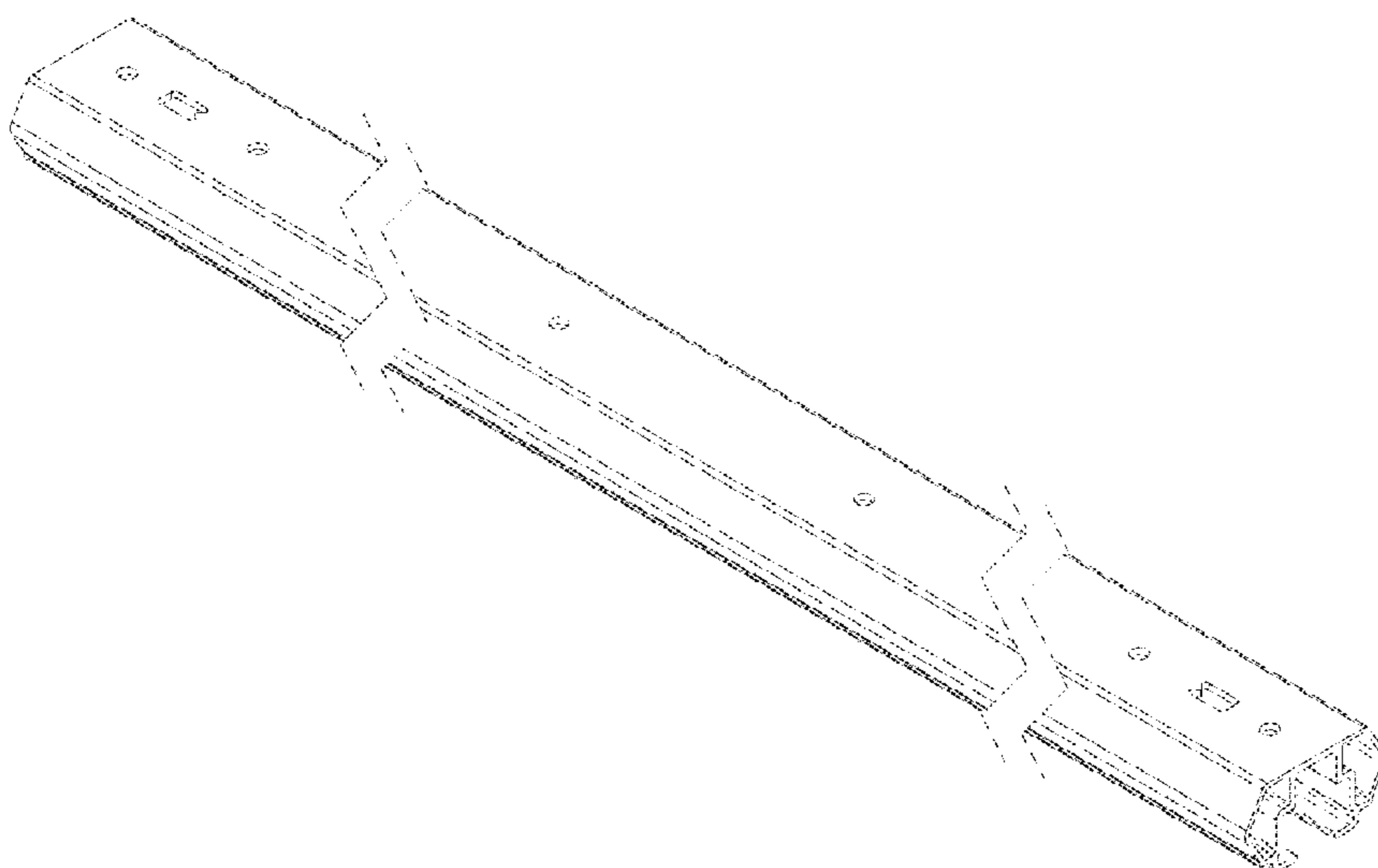
FIG. 4 is a front view thereof;

FIG. 5 is a bottom view thereof; and,

FIG. 6 is a side view thereof.

The underbar for roof rack with aperture/window is shown with symbolic breaks in its length. The appearance of any portions of the article between the break lines forms no part of the claimed design.

**1 Claim, 6 Drawing Sheets**



(56)

**References Cited**

U.S. PATENT DOCUMENTS

2016/0280143 A1\* 9/2016 Sato ..... B60R 9/045  
2019/0111853 A1\* 4/2019 Bergman ..... B60R 9/05

FOREIGN PATENT DOCUMENTS

DE 102010049983 A1\* 4/2012 ..... B60R 9/052  
EP 1078819 A2\* 2/2001 ..... B60R 9/05  
EP 2380777 A1\* 10/2011 ..... B60R 9/058  
EP 2803535 A1\* 11/2014 ..... B60R 9/052  
EP 2923892 A1\* 9/2015 ..... B60R 9/045  
EP 3290273 A1\* 3/2018 ..... B60R 9/058  
FR 2959977 A1\* 11/2011 ..... B60R 9/052  
WO WO-9809840 A1\* 3/1998 ..... B60R 9/052  
WO WO-0230709 A1\* 4/2002 ..... B60R 9/052

\* cited by examiner

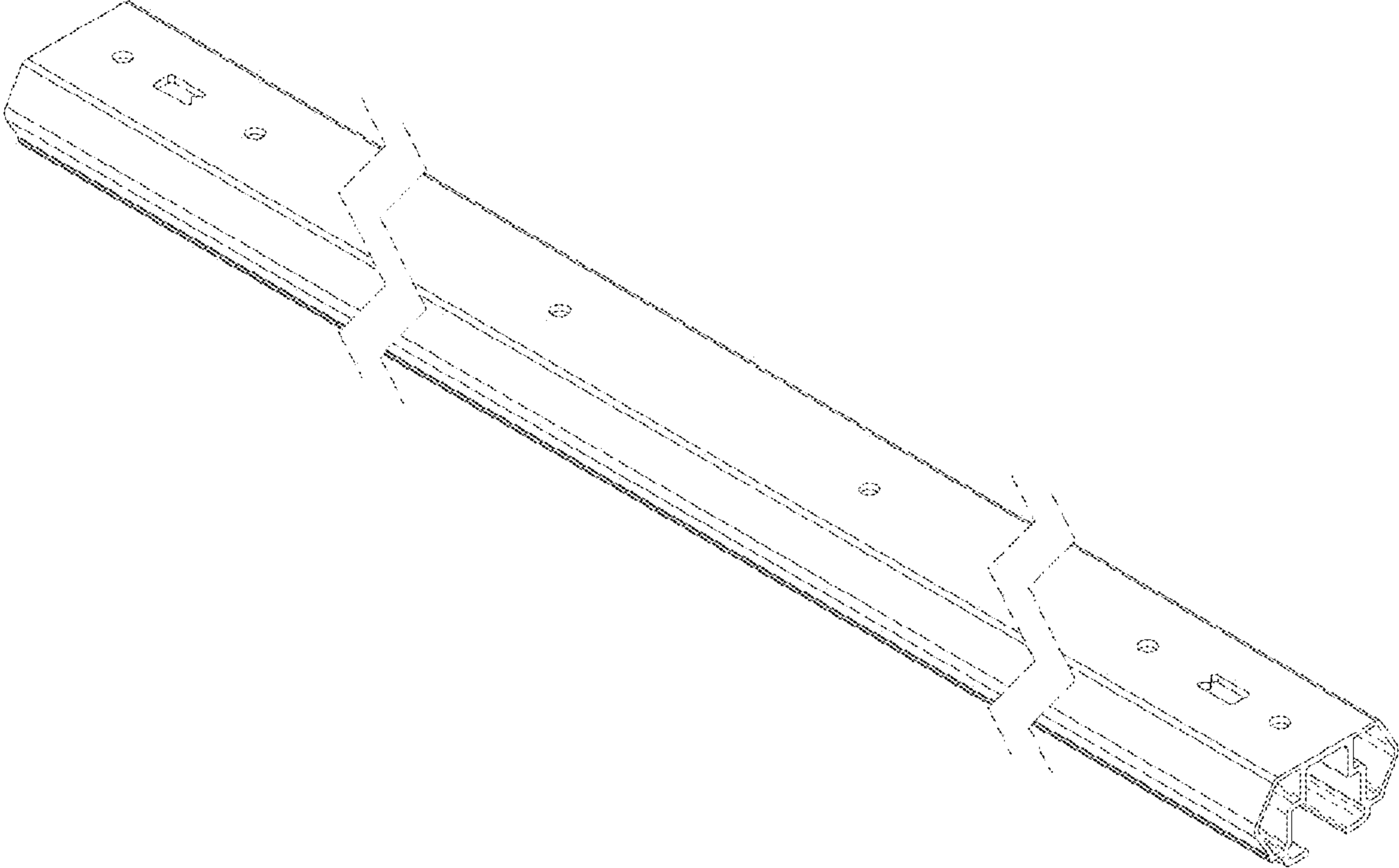


FIG. 1

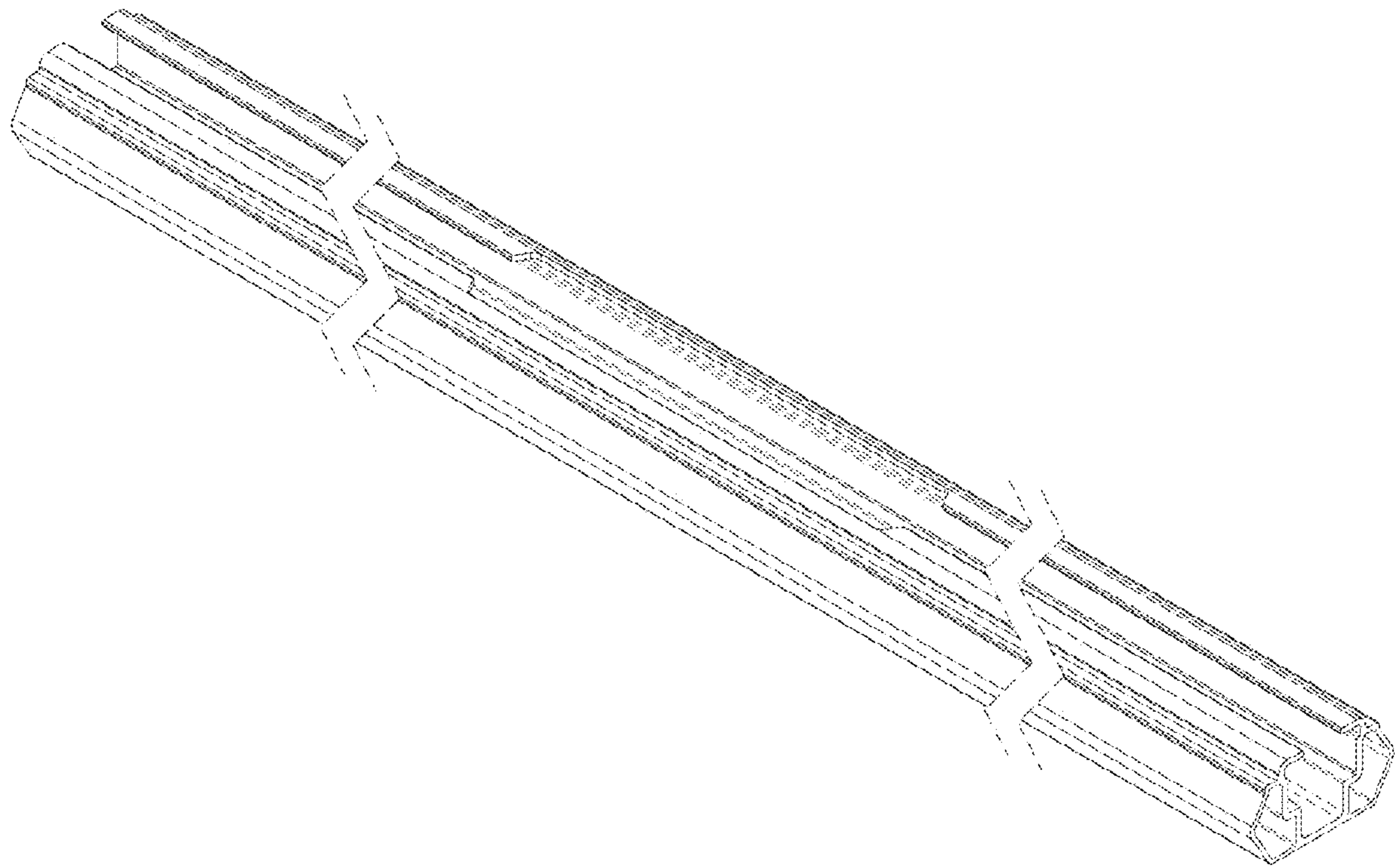


FIG. 2

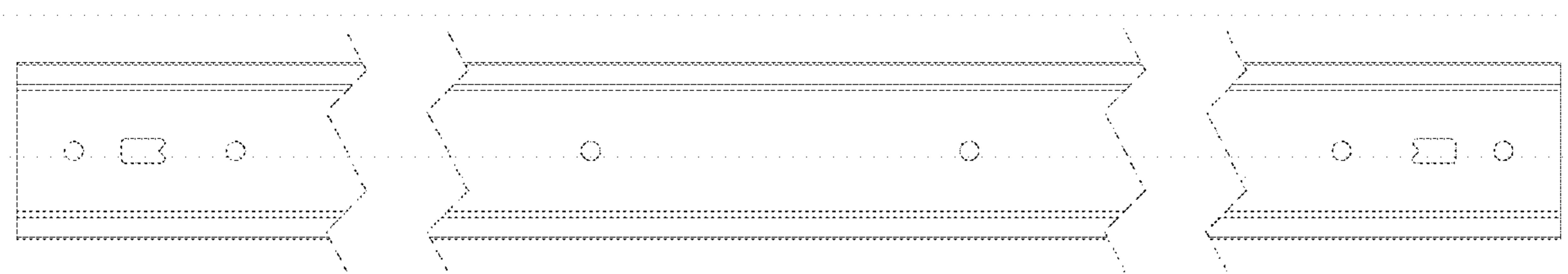


FIG. 3

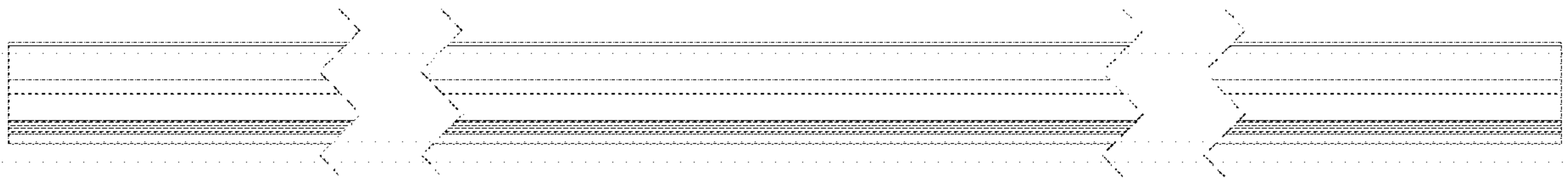


FIG. 4

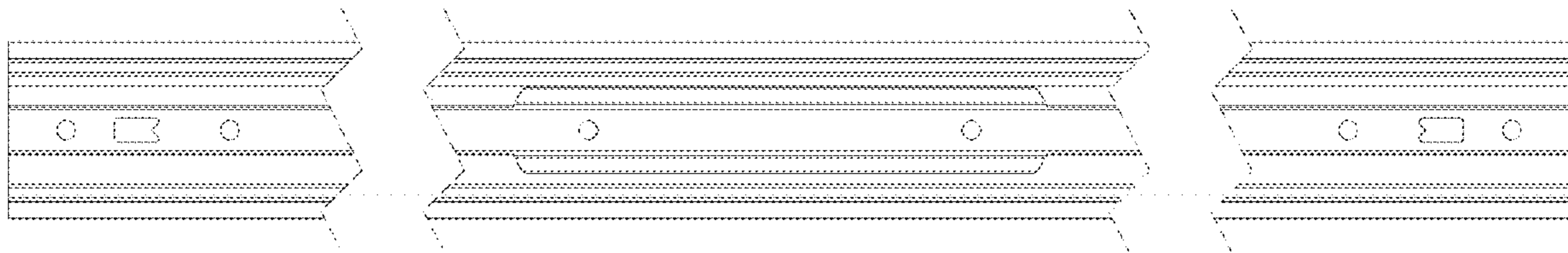


FIG. 5

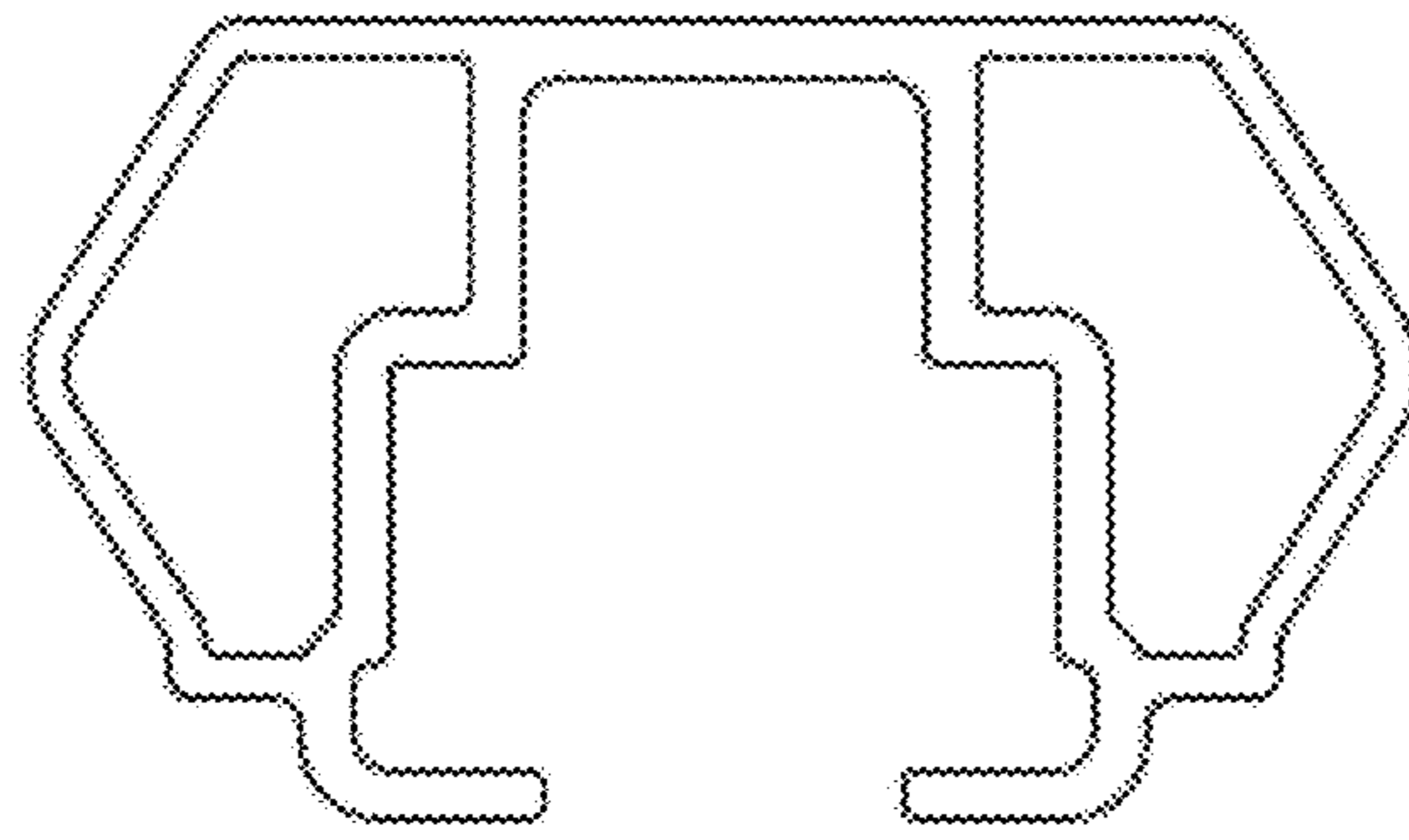


FIG. 6