



US00D947095S

(12) **United States Design Patent**
Benichou et al.

(10) **Patent No.:** **US D947,095 S**

(45) **Date of Patent:** **** Mar. 29, 2022**

(54) **WATER VEHICLE**

D407,060 S * 3/1999 Allison D12/300
7,527,007 B2 * 5/2009 Adamczyk B63B 34/10
114/55.57
D900,701 S * 11/2020 Leveille-Nizerolle D12/300

(71) Applicants: **Jeremy Benichou**, Lavel (FR); **Amiel Ohayon**, Paris (FR)

(72) Inventors: **Jeremy Benichou**, Lavel (FR); **Amiel Ohayon**, Paris (FR)

(**) Term: **15 Years**

(21) Appl. No.: **29/730,187**

(22) Filed: **Apr. 2, 2020**

(51) **LOC (13) Cl.** **12-06**

(52) **U.S. Cl.**
USPC **D12/307**

(58) **Field of Classification Search**
USPC D12/300, 307, 317
CPC B63B 34/00; B63B 34/10; B63H 11/00
See application file for complete search history.

(56) **References Cited**

U.S. PATENT DOCUMENTS

- D211,499 S * 6/1968 Klein D12/307
- D212,175 S * 9/1968 Hofius D12/307
- D271,964 S * 12/1983 Judd D12/300
- D293,429 S * 12/1987 Franyutti D12/307
- D315,715 S * 3/1991 Momoi D12/307
- D324,365 S * 3/1992 Kobayashi D12/300
- 5,449,305 A * 9/1995 Kobayashi B63B 34/10
440/38
- D367,638 S * 3/1996 Duncan D12/300

* cited by examiner

Primary Examiner — Cynthia M. Chin

(74) *Attorney, Agent, or Firm* — Kligler & Associates
Patent Attorneys Ltd

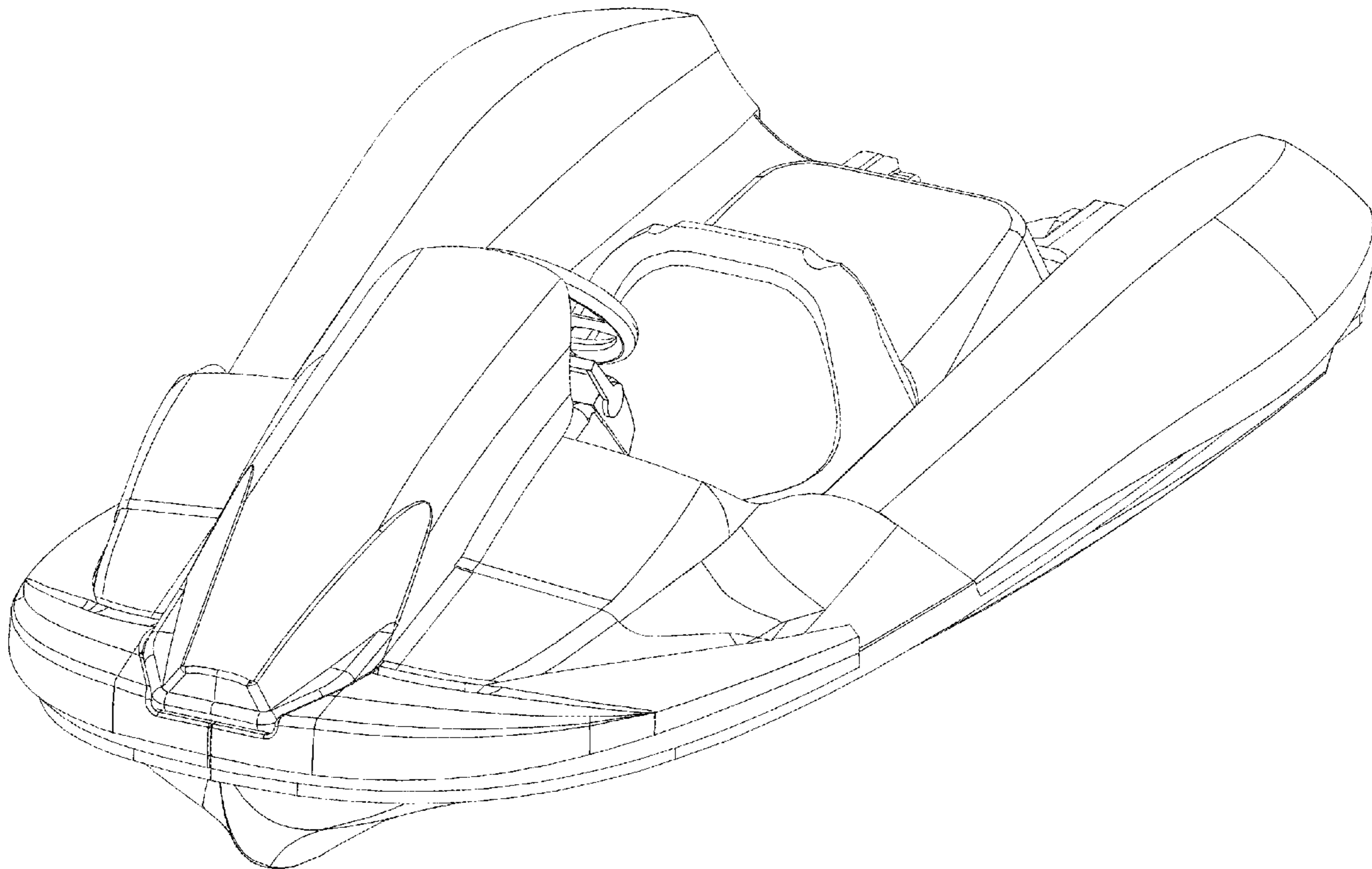
(57) **CLAIM**

The ornamental design for a water vehicle, as shown and described.

DESCRIPTION

FIG. 1 is a top, front perspective view of a water vehicle, showing our new design;
FIG. 2 is a bottom, front perspective view thereof;
FIG. 3 is a top plan view thereof;
FIG. 4 is a bottom plan view thereof;
FIG. 5 is a front elevation view thereof;
FIG. 6 is a rear elevation view thereof;
FIG. 7 is a left elevation view thereof; and,
FIG. 8 is a right elevation view thereof.
The broken lines in the drawings are for the purpose of illustrating portions of the water vehicle that form no part of the claimed design.

1 Claim, 8 Drawing Sheets



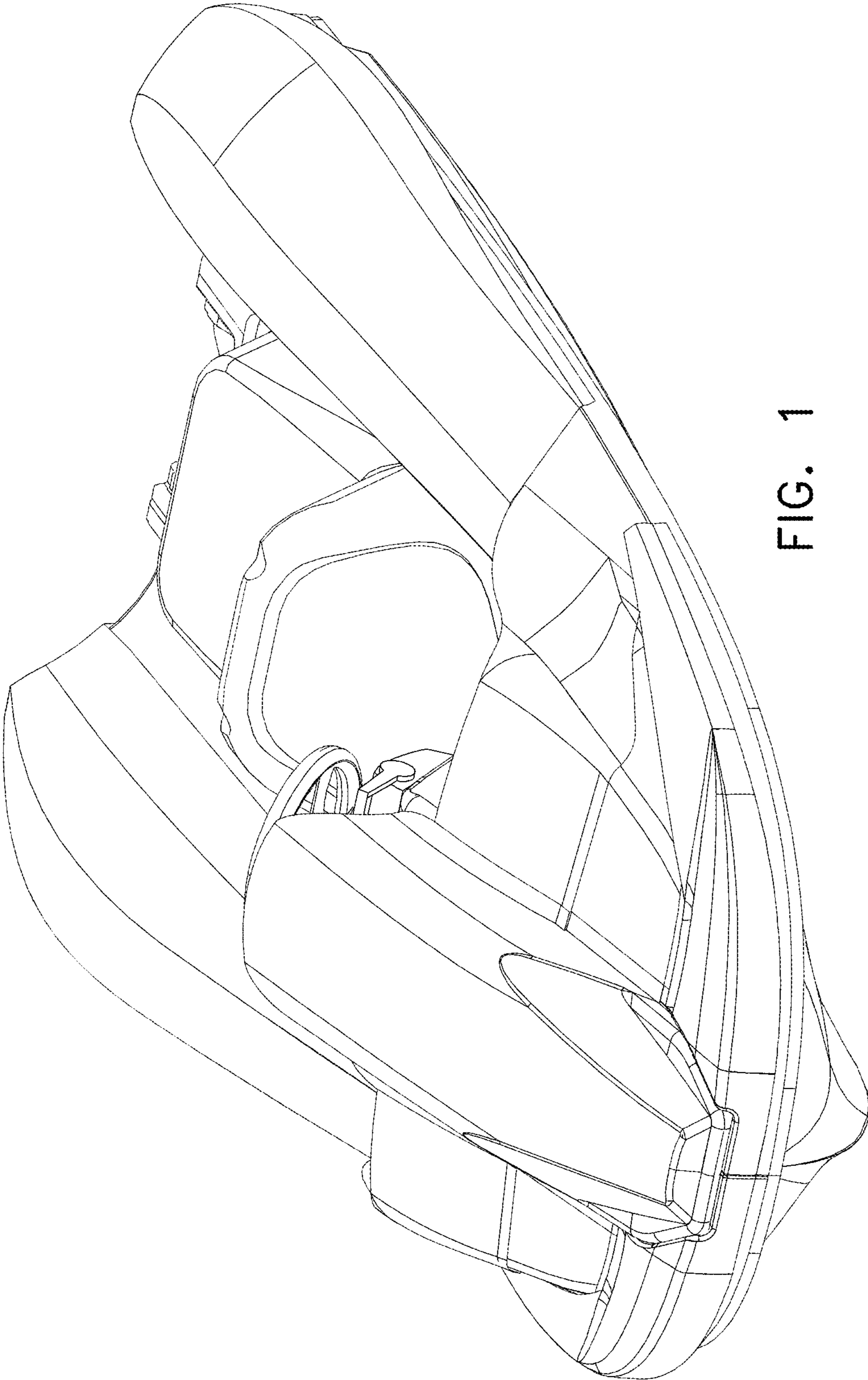


FIG. 1

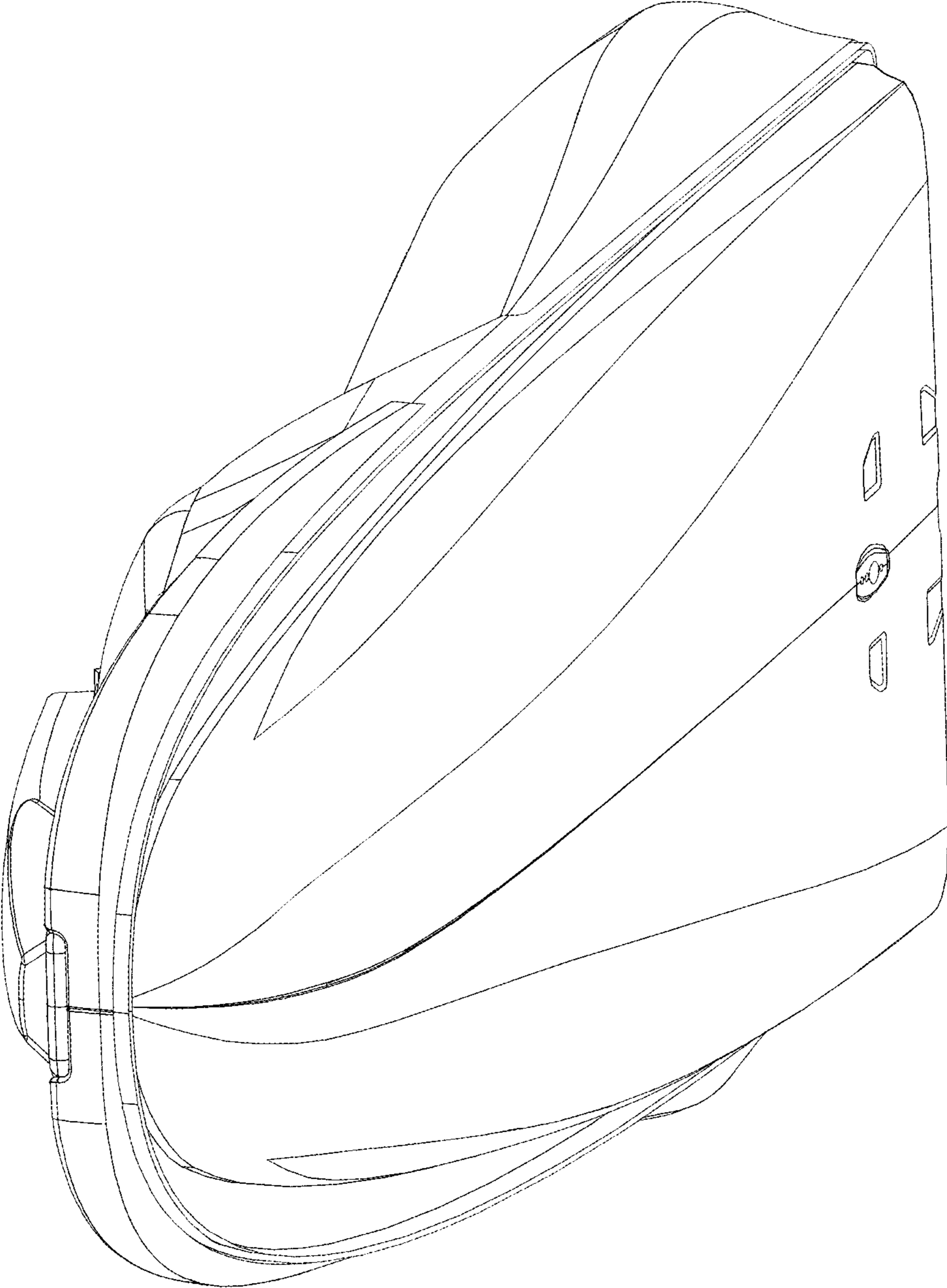


FIG. 2

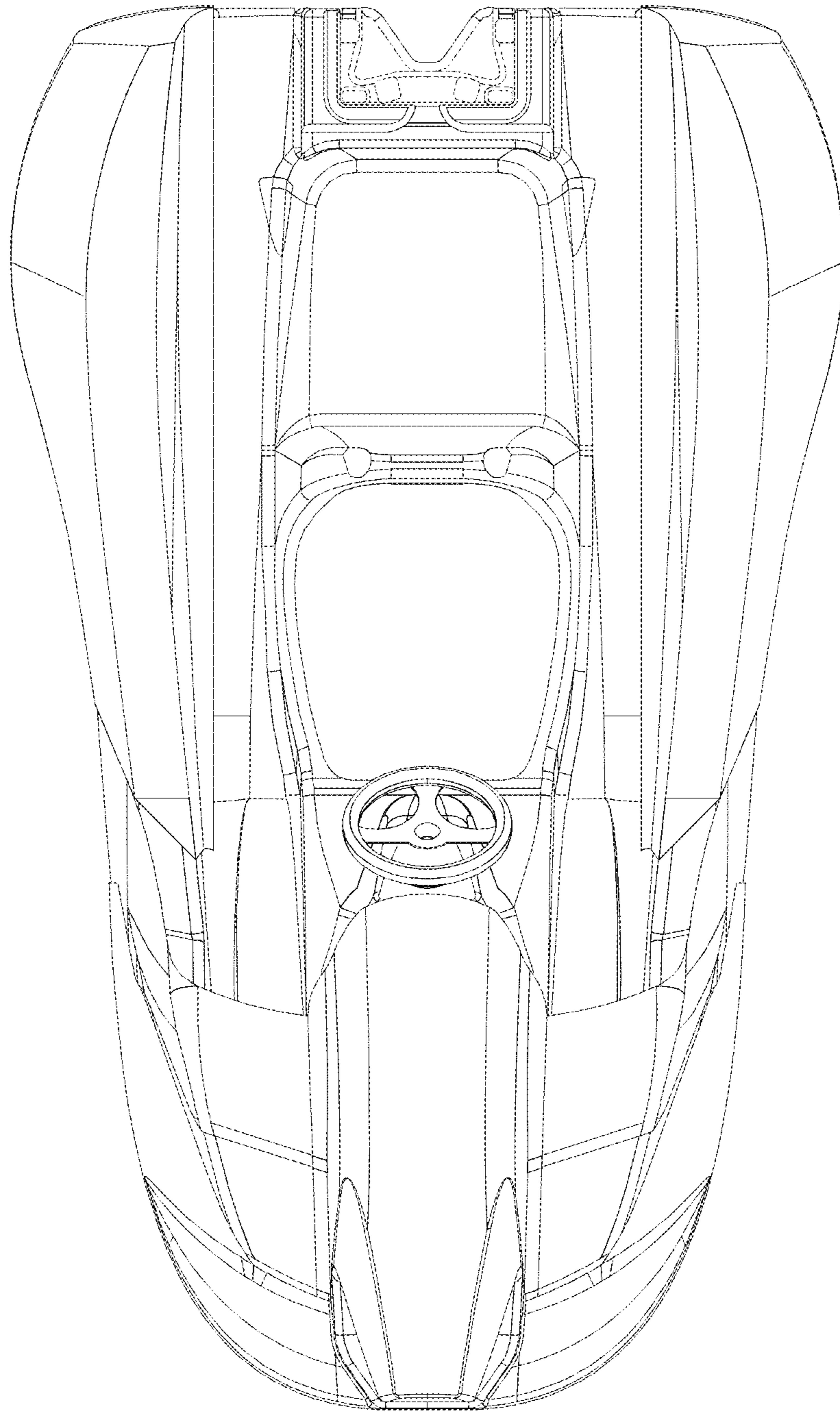


FIG. 3

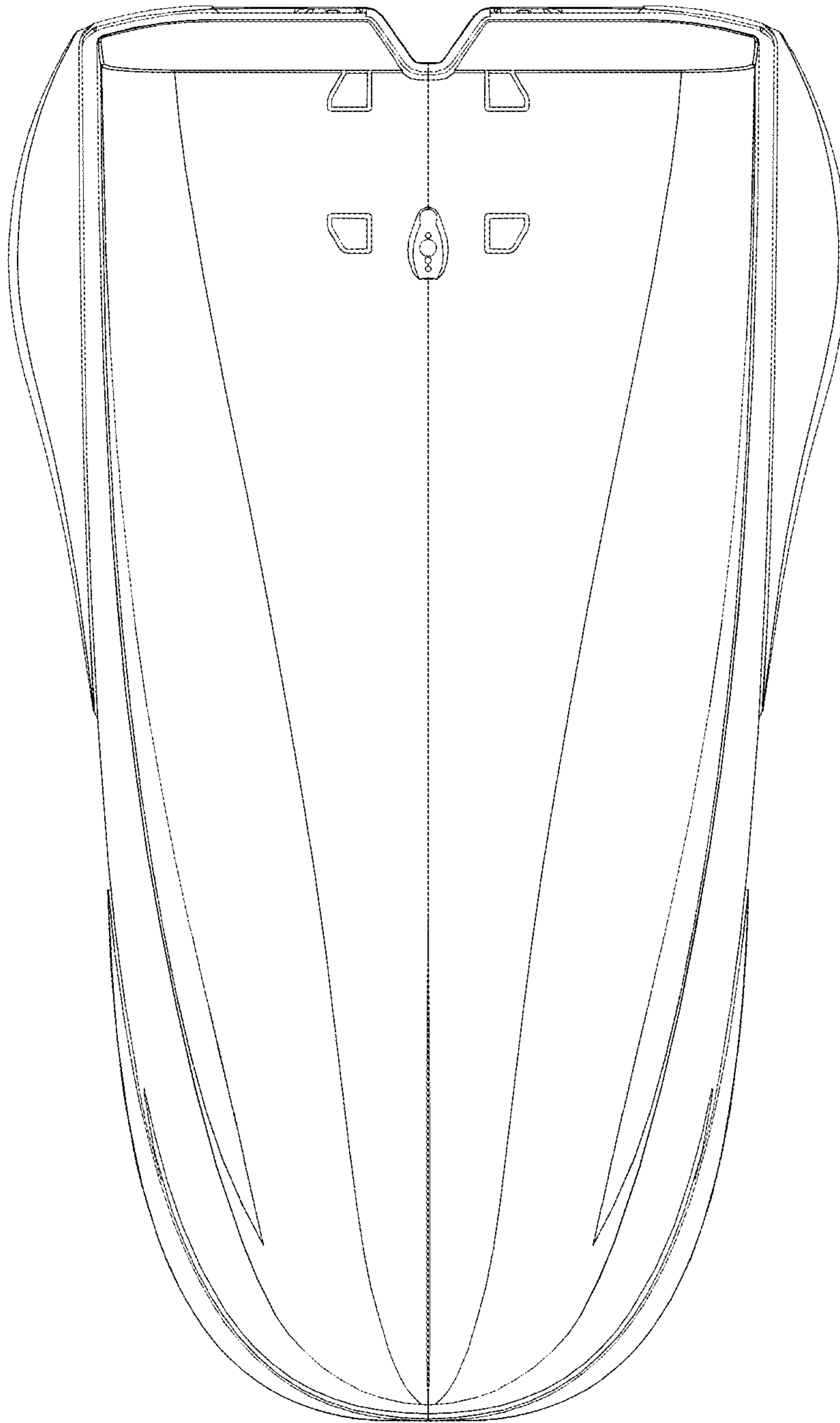


FIG. 4

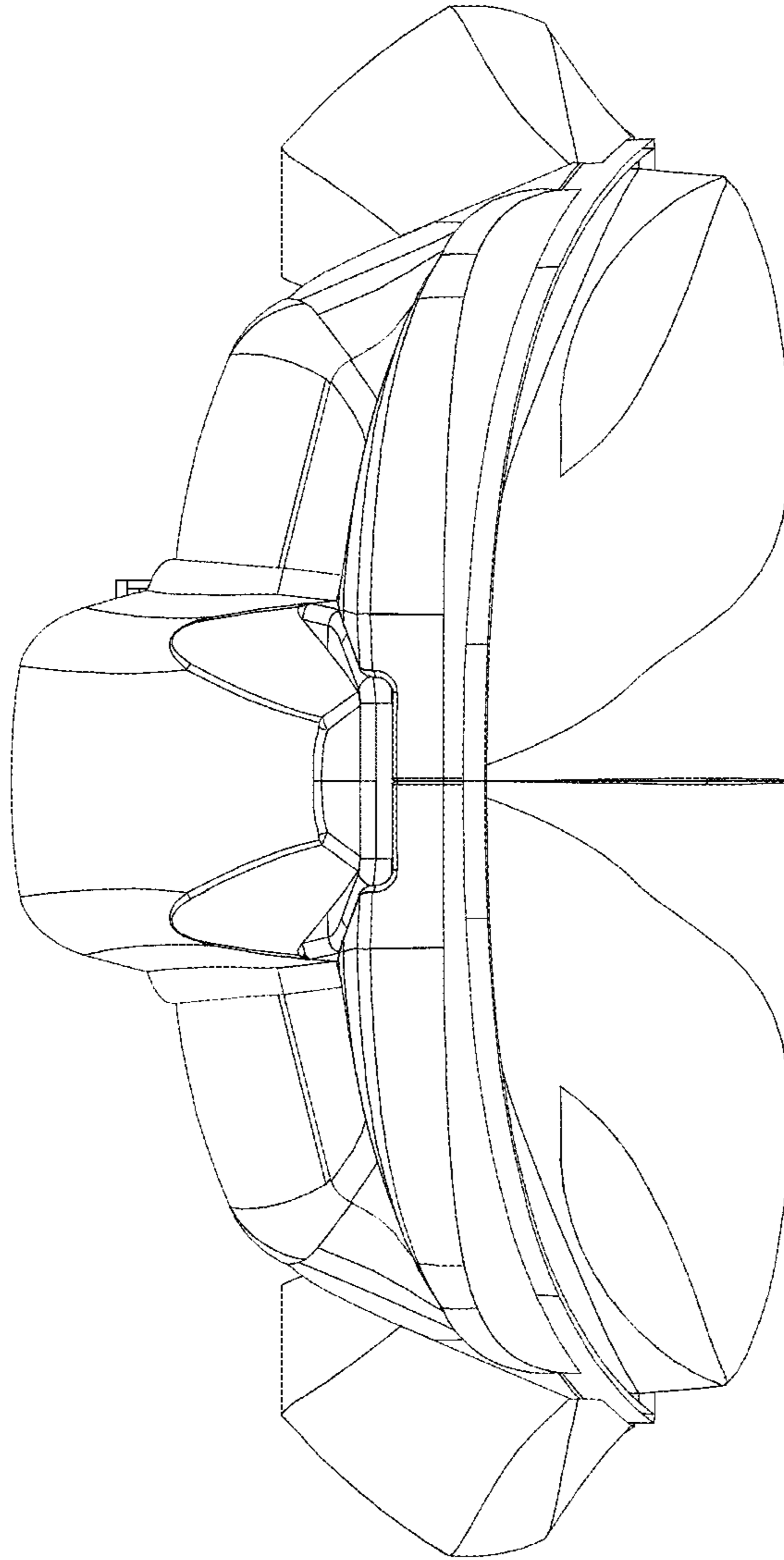


FIG. 5

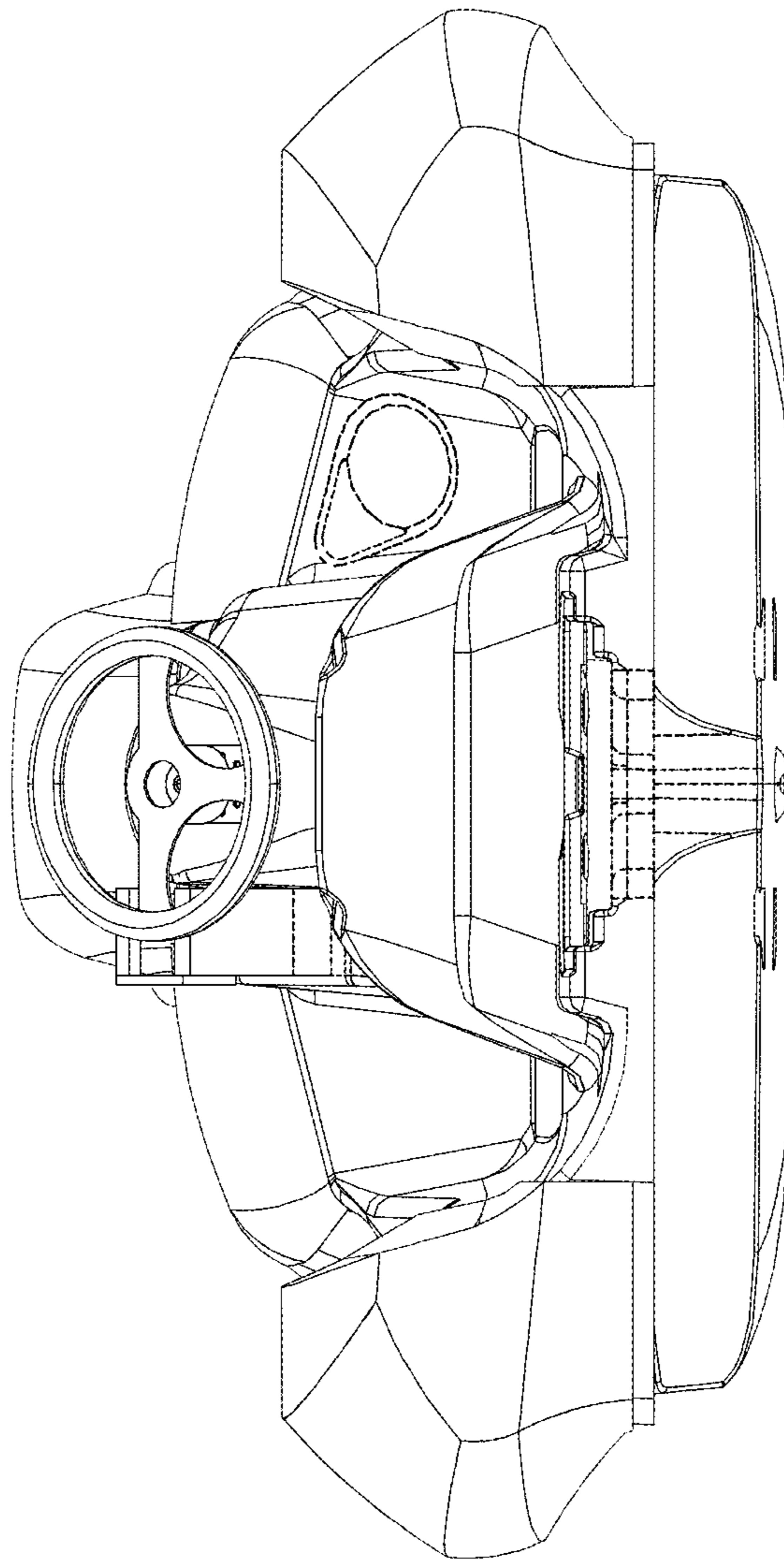


FIG. 6

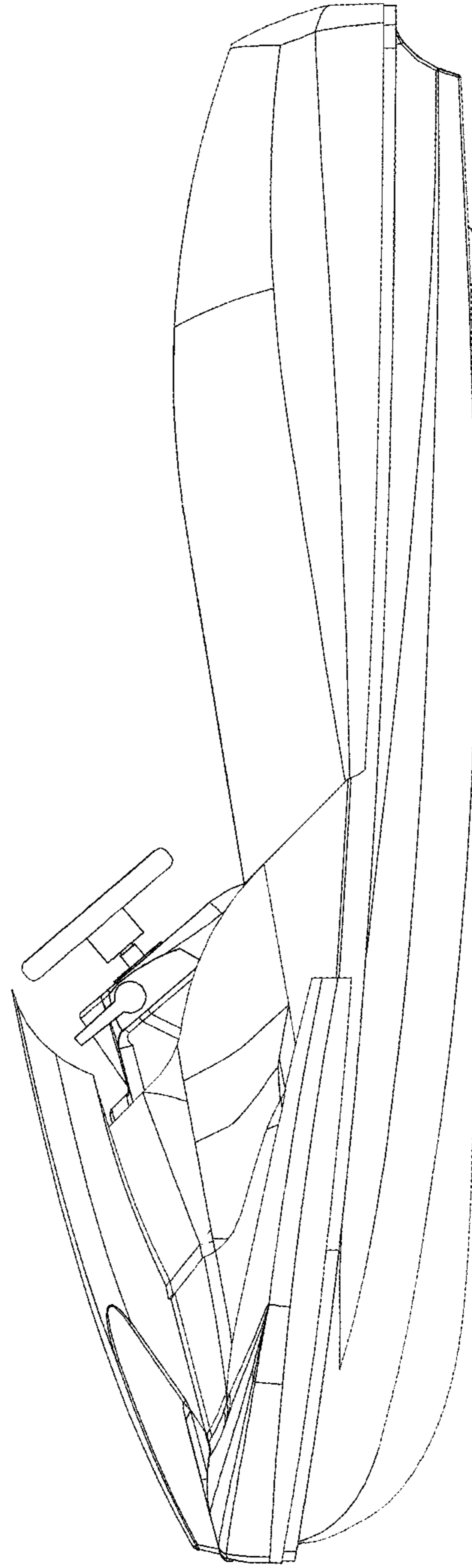


FIG. 7

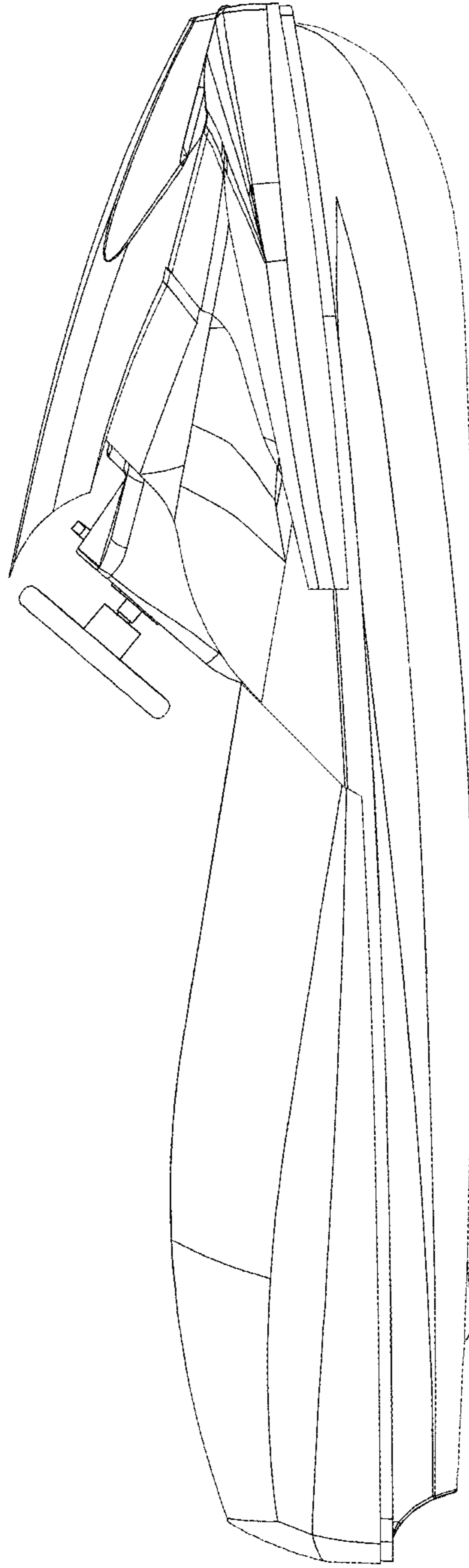


FIG. 8