



US00D947092S

(12) **United States Design Patent**
Imazato

(10) **Patent No.:** **US D947,092 S**

(45) **Date of Patent:** **** Mar. 29, 2022**

(54) **WHEEL FOR AUTOMOBILE**

(71) Applicant: **American Honda Motor Co., Inc.**,
Torrance, CA (US)

(72) Inventor: **Makoto Imazato**, Niiza (JP)

(73) Assignee: **American Honda Motor Co., Inc.**,
Torrance, CA (US)

(**) Term: **15 Years**

(21) Appl. No.: **29/756,821**

(22) Filed: **Oct. 30, 2020**

(51) **LOC (13) Cl.** **12-16**

(52) **U.S. Cl.**
USPC **D12/209**

(58) **Field of Classification Search**
USPC D12/204–213; D21/563
CPC B60B 7/00; B60B 7/02; B60B 7/04; B60B
7/01; B60B 7/06; B60B 3/02; B60B 3/04;
B60B 3/06; B60B 3/10; B60B 1/00;
B60B 1/08; B60B 1/10; B60B 1/12
See application file for complete search history.

(56) **References Cited**

U.S. PATENT DOCUMENTS

D480,676 S * 10/2003 Bhambra D12/211
D625,238 S * 10/2010 Zhao D12/209

D629,732 S * 12/2010 Tirado D12/209
D656,448 S * 3/2012 Zhao D12/211
D670,227 S * 11/2012 Chung D12/211
D758,948 S * 6/2016 Trpinac D12/211
D767,468 S * 9/2016 Stone D12/211
D787,405 S * 5/2017 Nakamura D12/209
D817,846 S * 5/2018 Stone D12/209
D835,024 S * 12/2018 Han D12/209
D876,309 S * 2/2020 Echazabal D12/209
D893,380 S * 8/2020 Vincent D12/209

* cited by examiner

Primary Examiner — Stacia A Cadmus

(74) *Attorney, Agent, or Firm* — Plumsea Law Group,
LLC

(57) **CLAIM**

The ornamental design for a wheel for automobile, as shown
and described.

DESCRIPTION

FIG. 1 is a perspective view of a wheel for automobile,
showing my new design; and,
FIG. 2 is a front elevation view thereof.
The claimed design is indicated by the relatively dark
portion, while the relatively light portions form no part of
the claimed design.

1 Claim, 2 Drawing Sheets

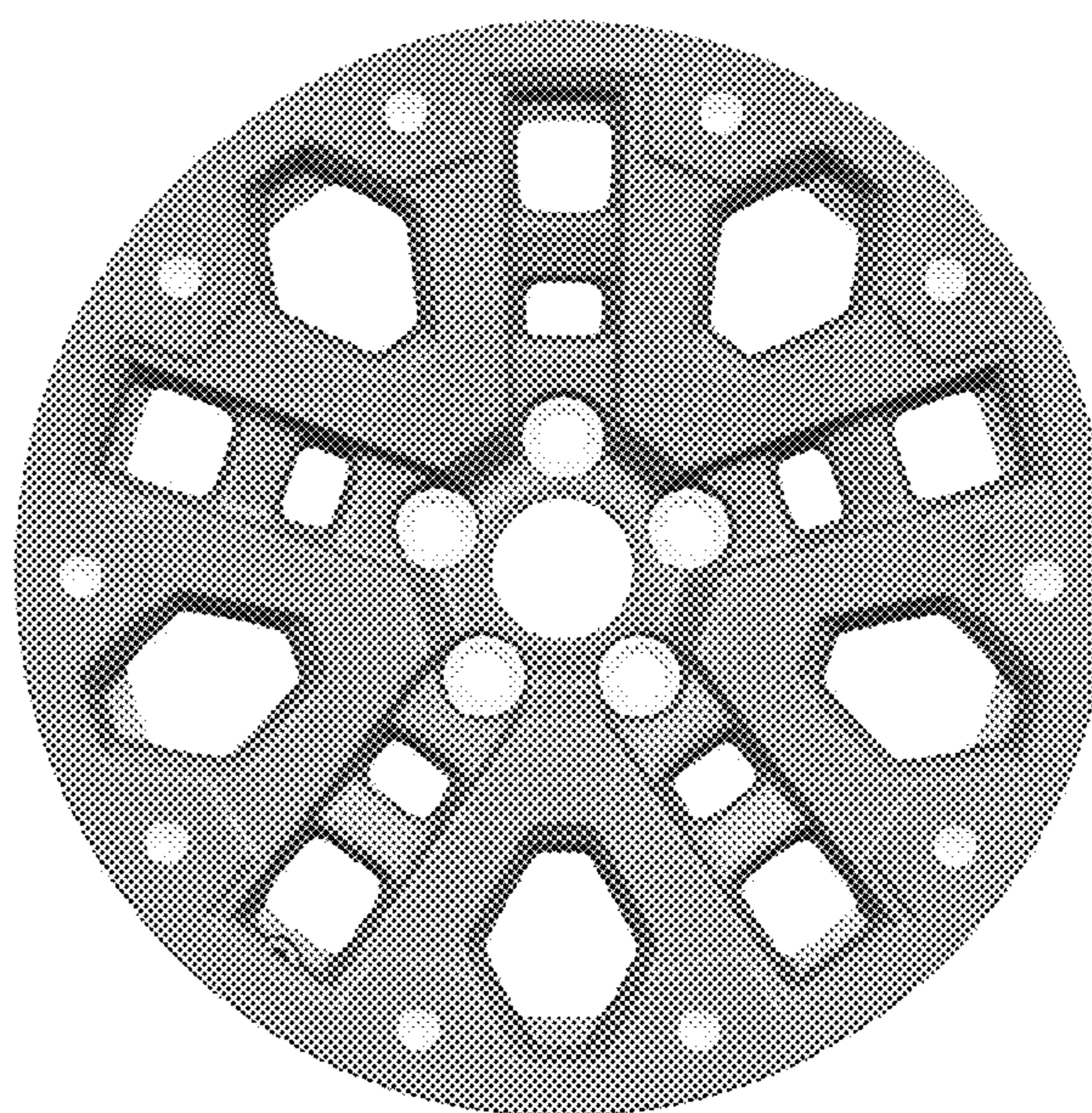
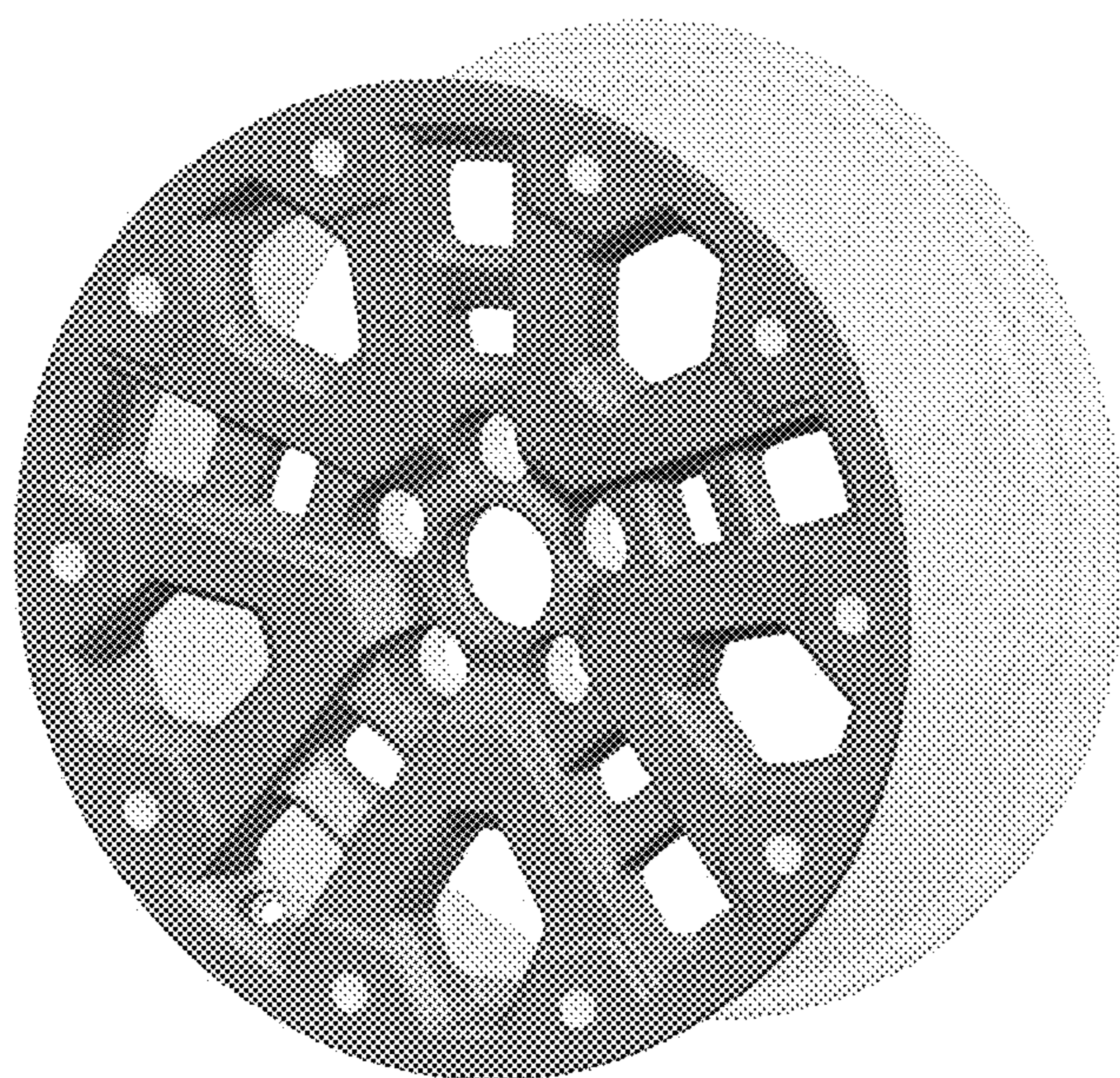


FIG. 1

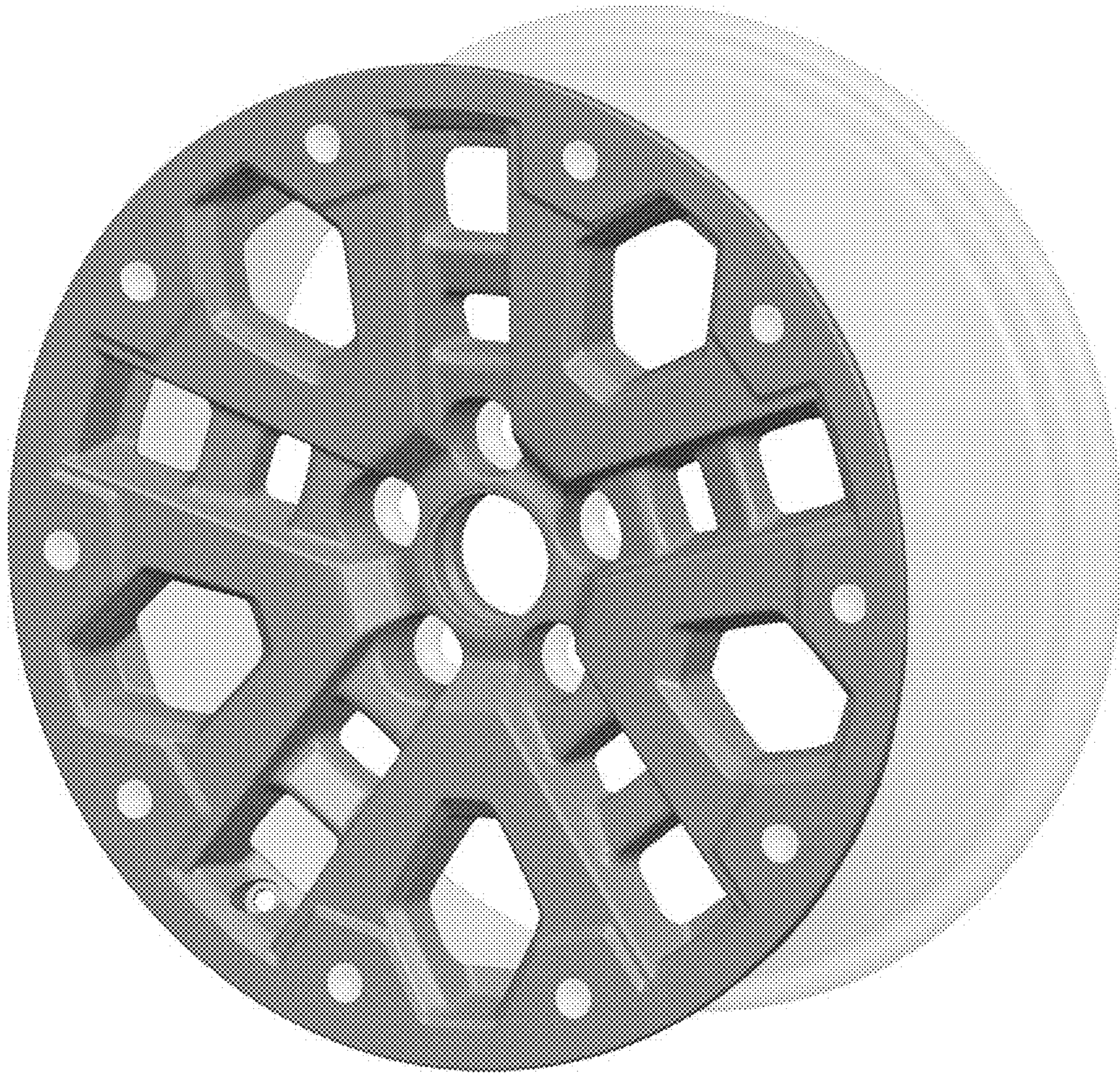


FIG. 2

