



US00D947091S

(12) **United States Design Patent**
Li

(10) **Patent No.:** **US D947,091 S**
(45) **Date of Patent:** **** Mar. 29, 2022**

(54) **LICENSE PLATE FRAME**
(71) Applicant: **Shenzhen Yinuoweixun Electronic Commerce Co., LTD., Shenzhen (CN)**
(72) Inventor: **Guorong Li, Xiamen (CN)**
(73) Assignee: **SHENZHEN YINUOWEIXUN ELECTRONIC COMMERCE CO., LTD., Shenzhen (CN)**

D524,708 S *	7/2006	Spencer	D12/193
D537,395 S *	2/2007	Magee	D12/193
D538,722 S *	3/2007	Tofer	D12/193
D602,832 S *	10/2009	Tharp	D12/193
D640,177 S *	6/2011	Ohm	D12/193
D650,729 S *	12/2011	Dong	D12/193
D689,803 S *	9/2013	Spencer	D12/193
D773,367 S *	12/2016	Alesi	
D791,665 S *	7/2017	Filakousky	D12/193
D792,825 S *	7/2017	Filakousky	D12/193
D816,569 S *	5/2018	Huang	D12/193
D892,690 S *	8/2020	Filakousky	D12/193
D912,587 S *	3/2021	Spencer	D12/193

(**) Term: **15 Years**

* cited by examiner

(21) Appl. No.: **29/779,716**

Primary Examiner — **Natasha Vujcic**

(22) Filed: **Apr. 20, 2021**

(57) **CLAIM**

(51) **LOC (13) Cl.** **12-16**

The ornamental design for a license plate frame, as shown and described.

(52) **U.S. Cl.**

DESCRIPTION

USPC **D12/193**

(58) **Field of Classification Search**

USPC D12/193; D6/300, 301, 302, 310, 311, D6/312, 313, 314; D20/13
CPC B60R 13/10; B60R 13/105; B60R 19/24; B60R 19/52

See application file for complete search history.

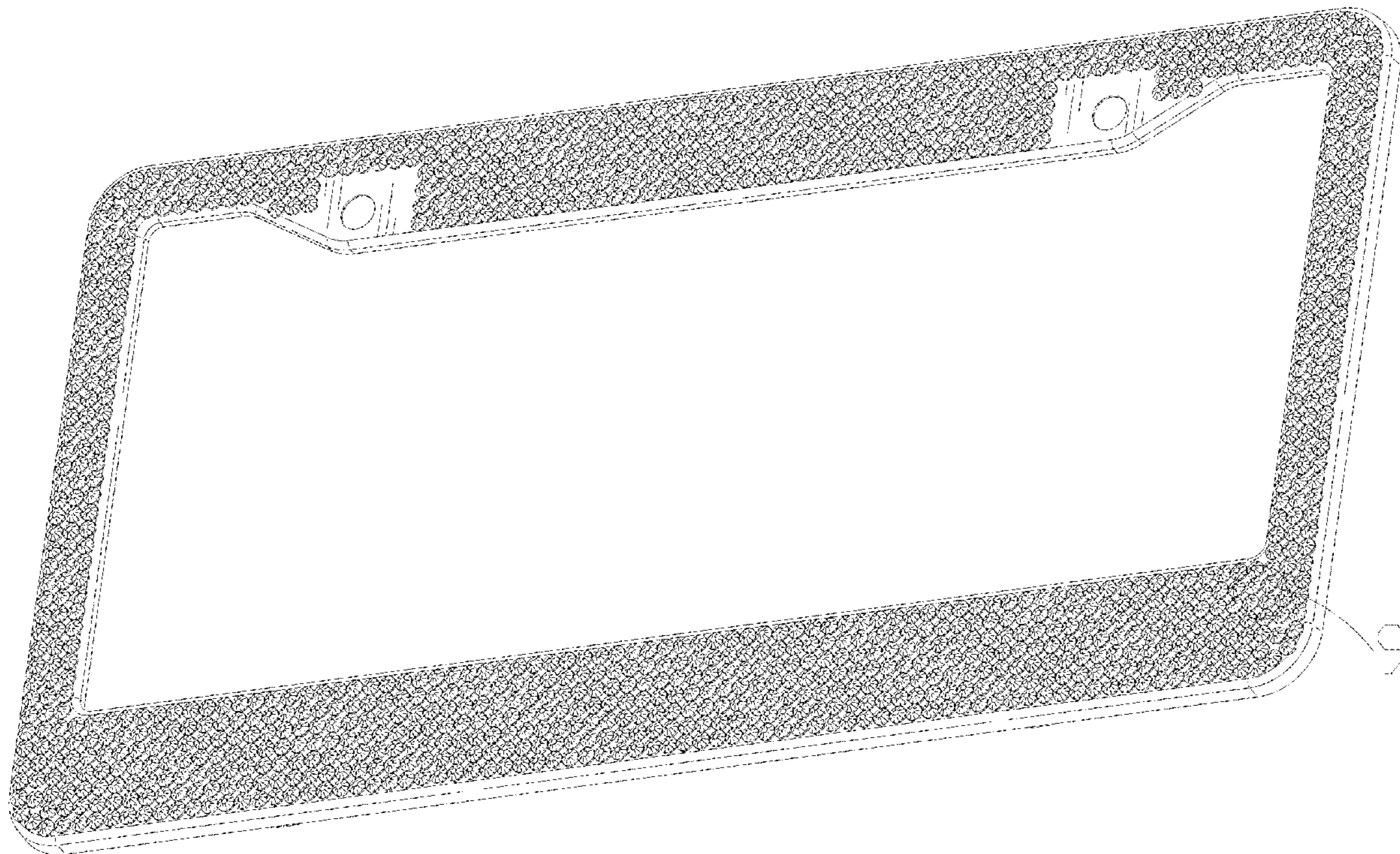
FIG. 1 is a perspective view of a license plate frame showing my new design;
FIG. 2 is another perspective view thereof;
FIG. 3 is a front elevational view thereof;
FIG. 4 is a rear elevational view thereof;
FIG. 5 is a left side elevational view thereof;
FIG. 6 is a right side elevational view thereof;
FIG. 7 is a top plan view thereof;
FIG. 8 is a bottom plan view thereof; and,
FIG. 9 is an enlarged view of portion 9 shown in FIG. 1.

(56) **References Cited**

U.S. PATENT DOCUMENTS

D469,042 S	1/2003	Ohm	
D521,916 S *	5/2006	Spencer D12/193
D524,210 S *	7/2006	Spencer D12/193

1 Claim, 9 Drawing Sheets



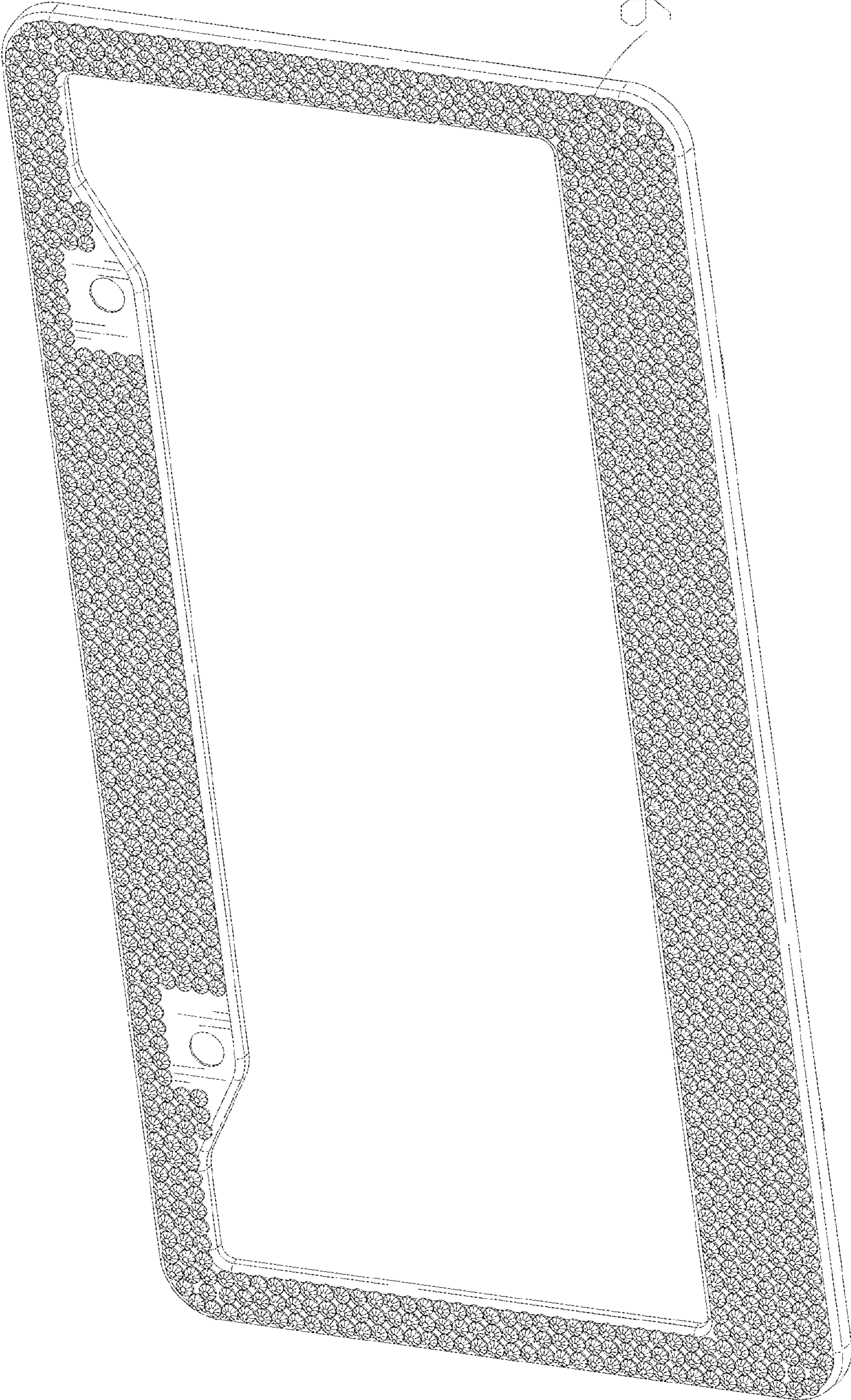


FIG. 1

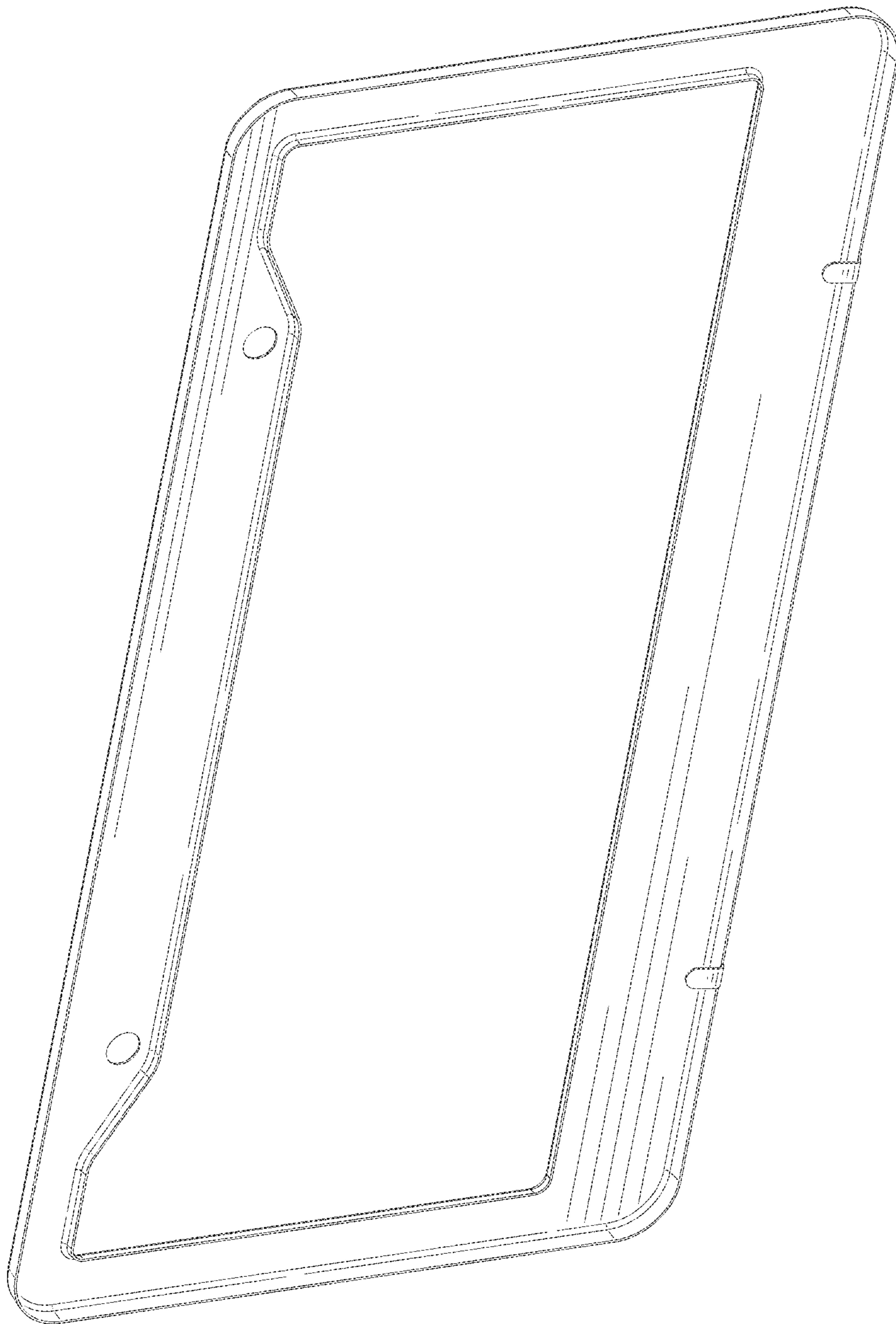


FIG. 2

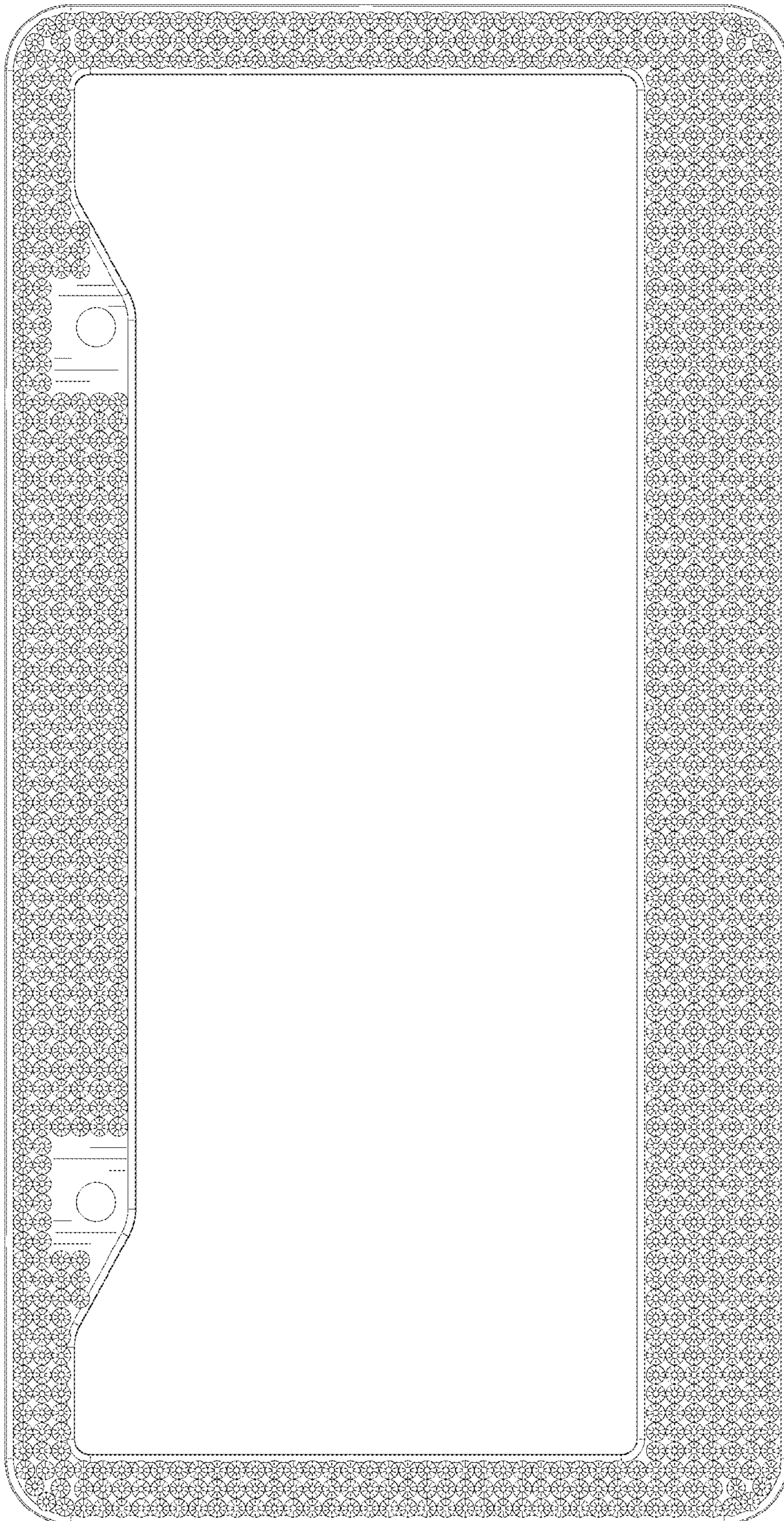


FIG. 3

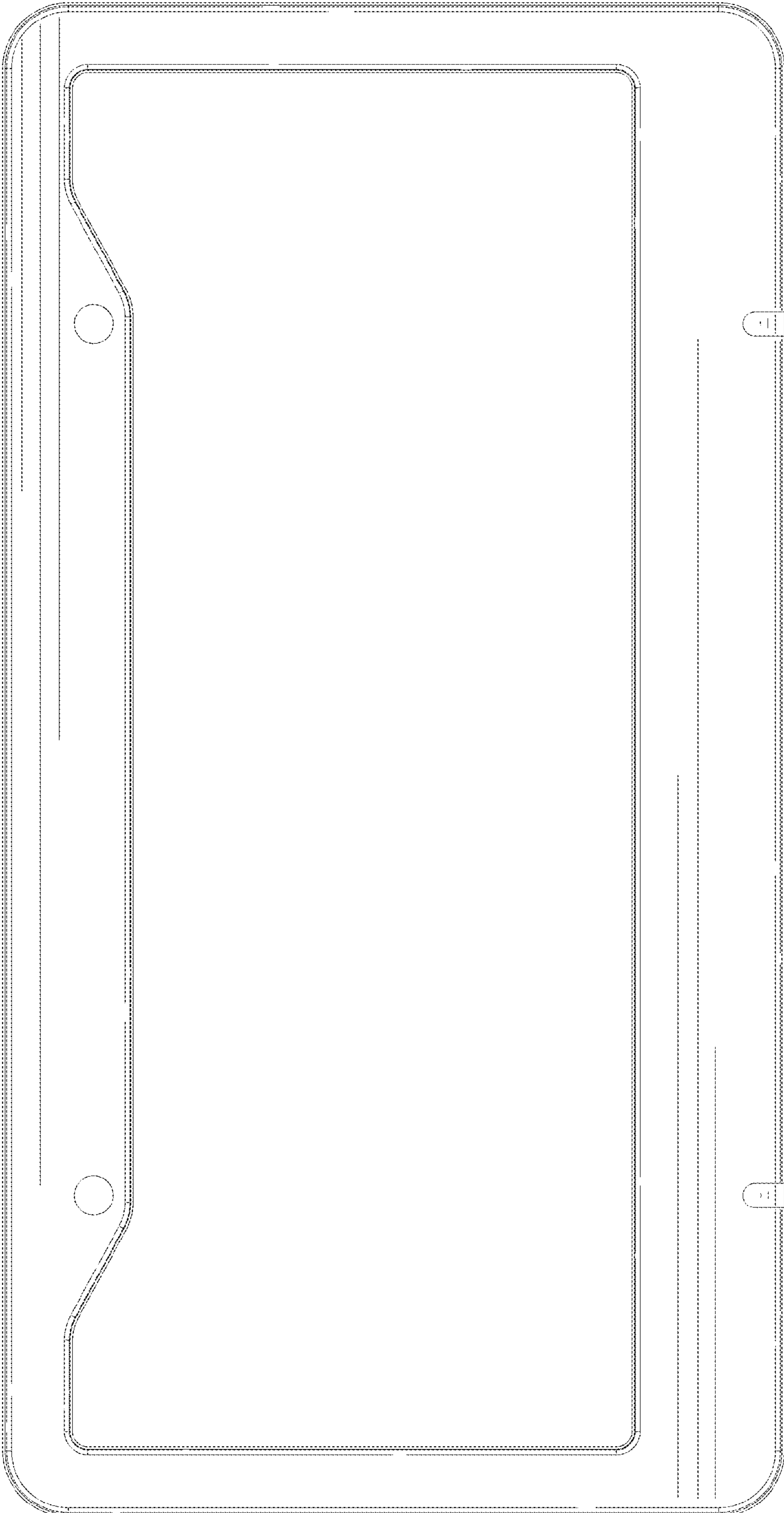


FIG. 4

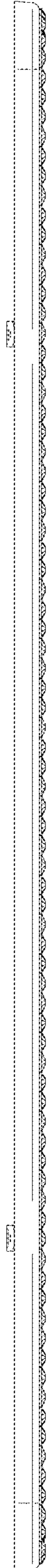


FIG. 5

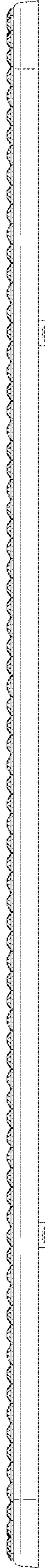


FIG. 6

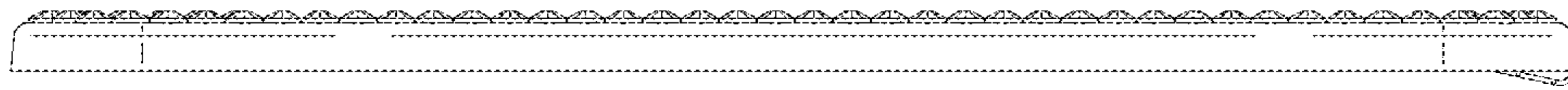


FIG. 7

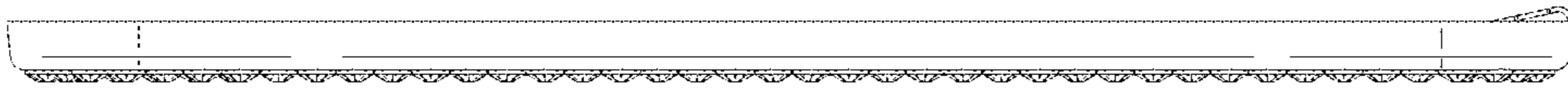


FIG. 8

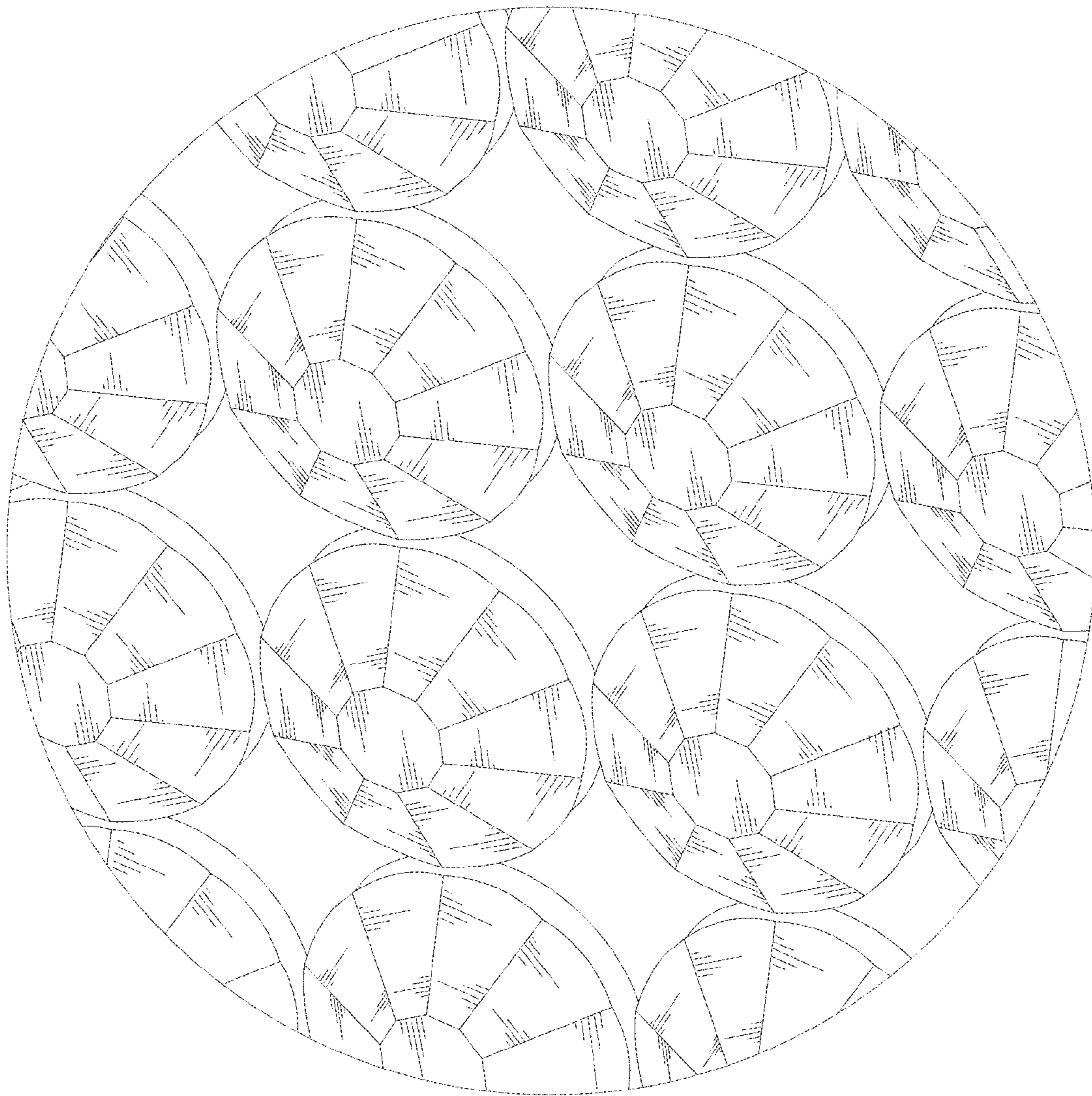


FIG. 9