



US00D947087S

(12) **United States Design Patent**
Nadal Aloy

(10) **Patent No.:** **US D947,087 S**
(45) **Date of Patent:** **** Mar. 29, 2022**

(54) **BRAKE DISC**

FOREIGN PATENT DOCUMENTS

(71) Applicant: **Jordi Nadal Aloy**, Barcelona (ES)

CN 201930096264.5 * 10/2019

(72) Inventor: **Jordi Nadal Aloy**, Barcelona (ES)

OTHER PUBLICATIONS

(**) Term: **15 Years**

(21) Appl. No.: **29/738,349**

(22) Filed: **Jun. 17, 2020**

(30) **Foreign Application Priority Data**

Dec. 20, 2019 (EM) 007435995-0001

(51) **LOC (13) Cl.** **12-16**

(52) **U.S. Cl.**
USPC **D12/180**

(58) **Field of Classification Search**
USPC D12/114, 122, 123, 126, 127, 160, 180
CPC F16D 65/128; F16D 65/12; F16D 65/123;
F16D 65/127; F16D 2065/1328; B22C
9/00; C23C 4/067

See application file for complete search history.

(56) **References Cited**

U.S. PATENT DOCUMENTS

D512,353 S *	12/2005	Aloy	D12/180
D513,722 S *	1/2006	Aloy	D12/180
D565,487 S *	4/2008	Zhang	D12/180
D747,244 S *	1/2016	Nosworthy	D12/180
D842,781 S *	3/2019	Keller	D12/180
D843,282 S *	3/2019	Peck	D12/180
D902,098 S *	11/2020	Keller	D12/180
D924,110 S *	7/2021	Carminati	D12/180
D924,759 S *	7/2021	Carminati	D12/180
2012/0255820 A1 *	10/2012	McCord	F16D 65/12 188/218 XL
2014/0151166 A1 *	6/2014	Tironi	F16D 65/123 188/218 XL
2015/0267765 A1 *	9/2015	Kim	F16D 13/648 192/107 M
2021/0010550 A1 *	1/2021	Raab	F16D 65/123
2021/0246955 A1 *	8/2021	Keller	F16D 65/123

“Zimmermann Coat-Z Drilled and Slotted Brake Rotor” Carid., posted date Feb. 3, 2017 [online], [retrieved on Nov. 3, 2021]. Retrieved from the Internet <URL:https://www.carid.com/zimmermann/coat-z-drilled-and-slotted-brake-rotor.html> (Year: 2017).*
“StopTech Drilled/Slotted Brake Rotors” Stoptech., posted date Jul. 8, 2018 [online], [retrieved on Nov. 3, 2021]. Retrieved from the Internet <URL:https://www.buybrakes.com/brake-rotors/stoptech-drilled-slotted-brake-rotors-best-price-select-227> (Year: 2018).*
“Callahan Brake Rotors” Callahan., posted date Dec. 11, 2018 [online], [retrieved on Nov. 3, 2021]. Retrieved from the Internet <URL:https://www.amazon.com/Callahan-2008-2017-2009-2017-2007-2017-2007-2010/dp/B07L9CYTRL?ref_=ast_sto_dp> (Year: 2018).*

* cited by examiner

Primary Examiner — Darlington Ly

Assistant Examiner — Nasim Abdulaziz Ali

(74) *Attorney, Agent, or Firm* — Thedford I. Hitaffer; Hitaffer & Hitaffer, PLLC

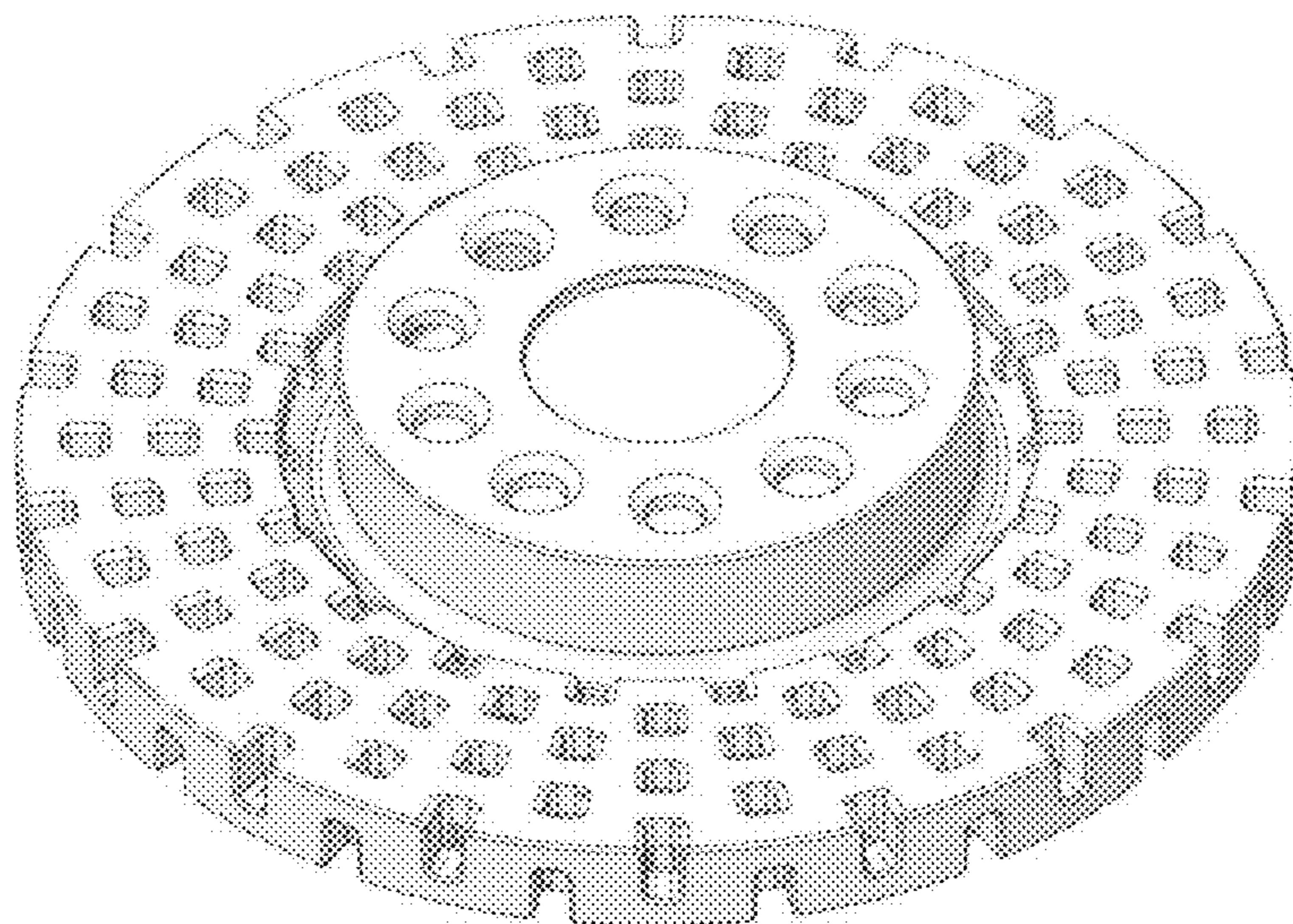
(57) **CLAIM**

The ornamental design for a brake disc, as shown and described.

DESCRIPTION

FIG. 1 is a front perspective view of a brake disc embodying my new design;
FIG. 2 is a front elevation view thereof;
FIG. 3 is a rear perspective view thereof;
FIG. 4 is a rear elevation view thereof; and,
FIG. 5 is a side elevation view thereof.

1 Claim, 5 Drawing Sheets



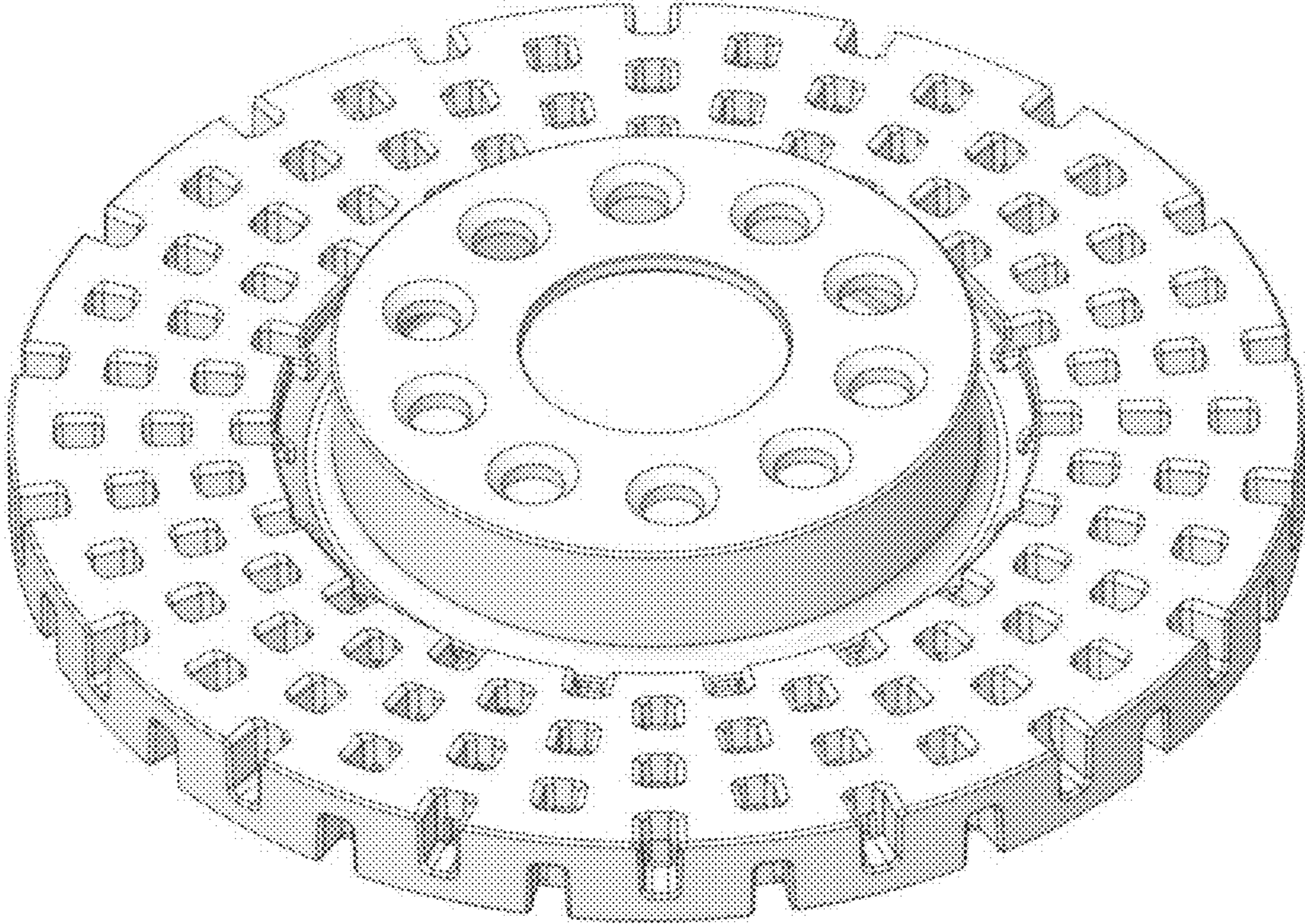


Fig. 1

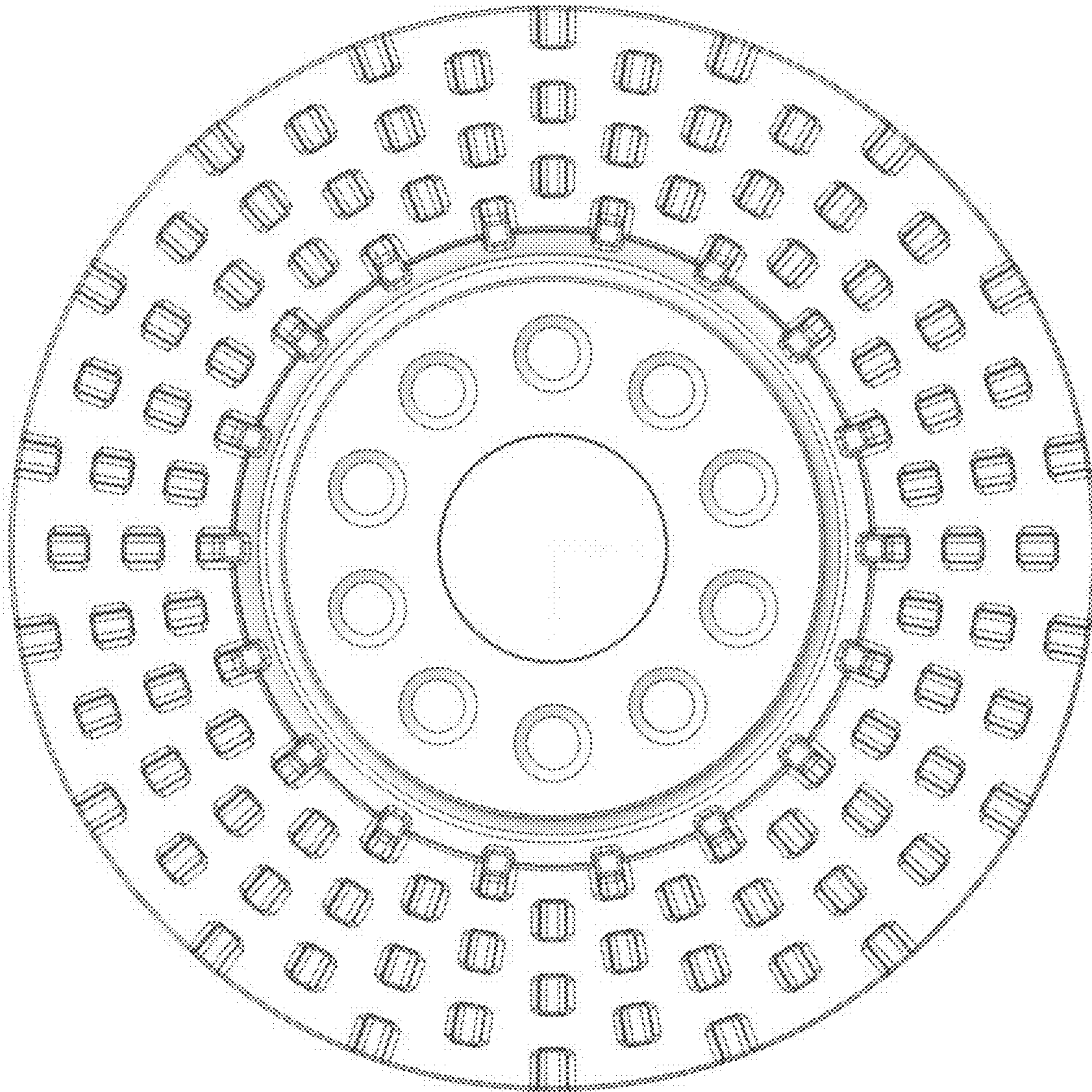


Fig. 2

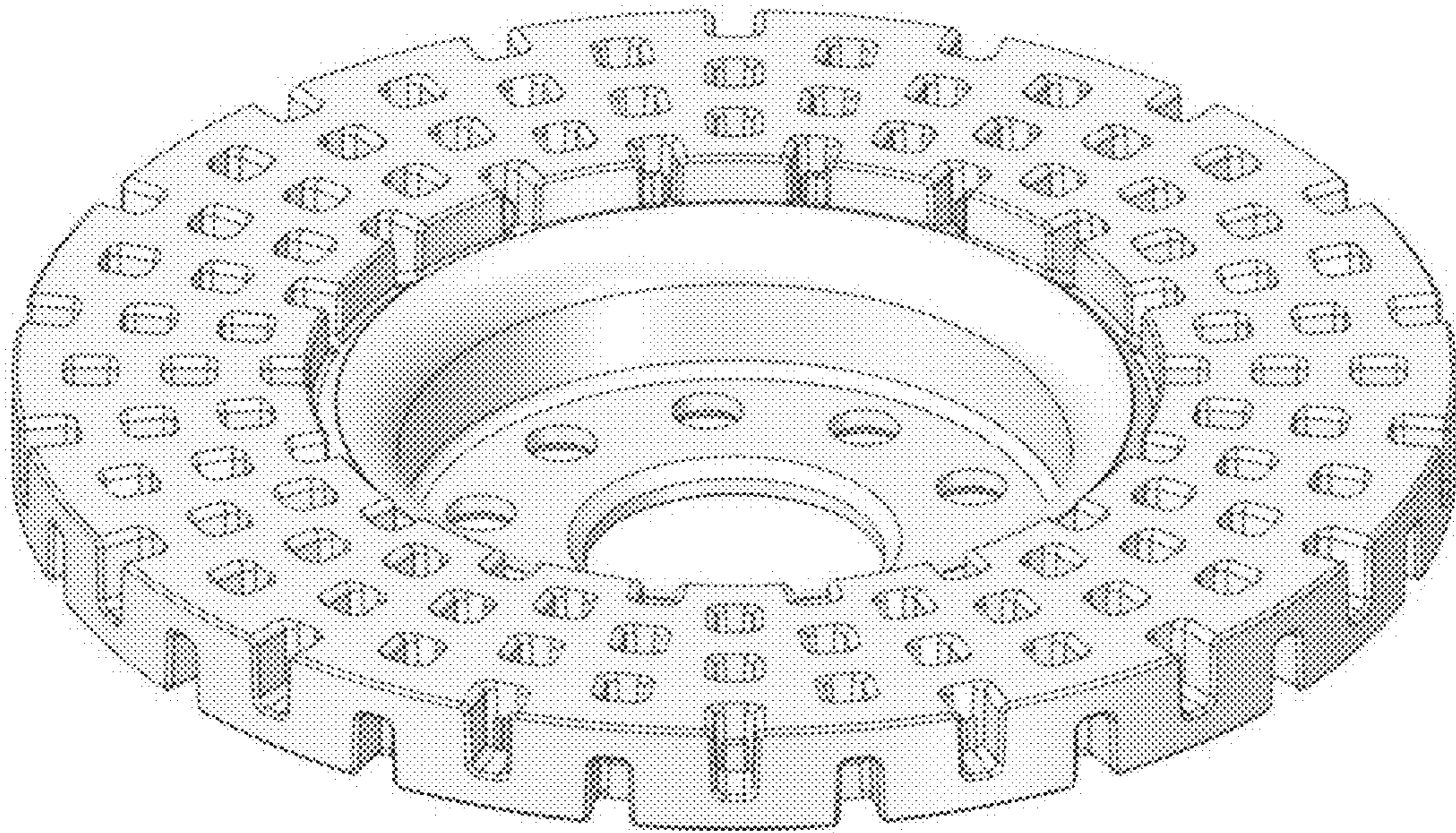


Fig. 3

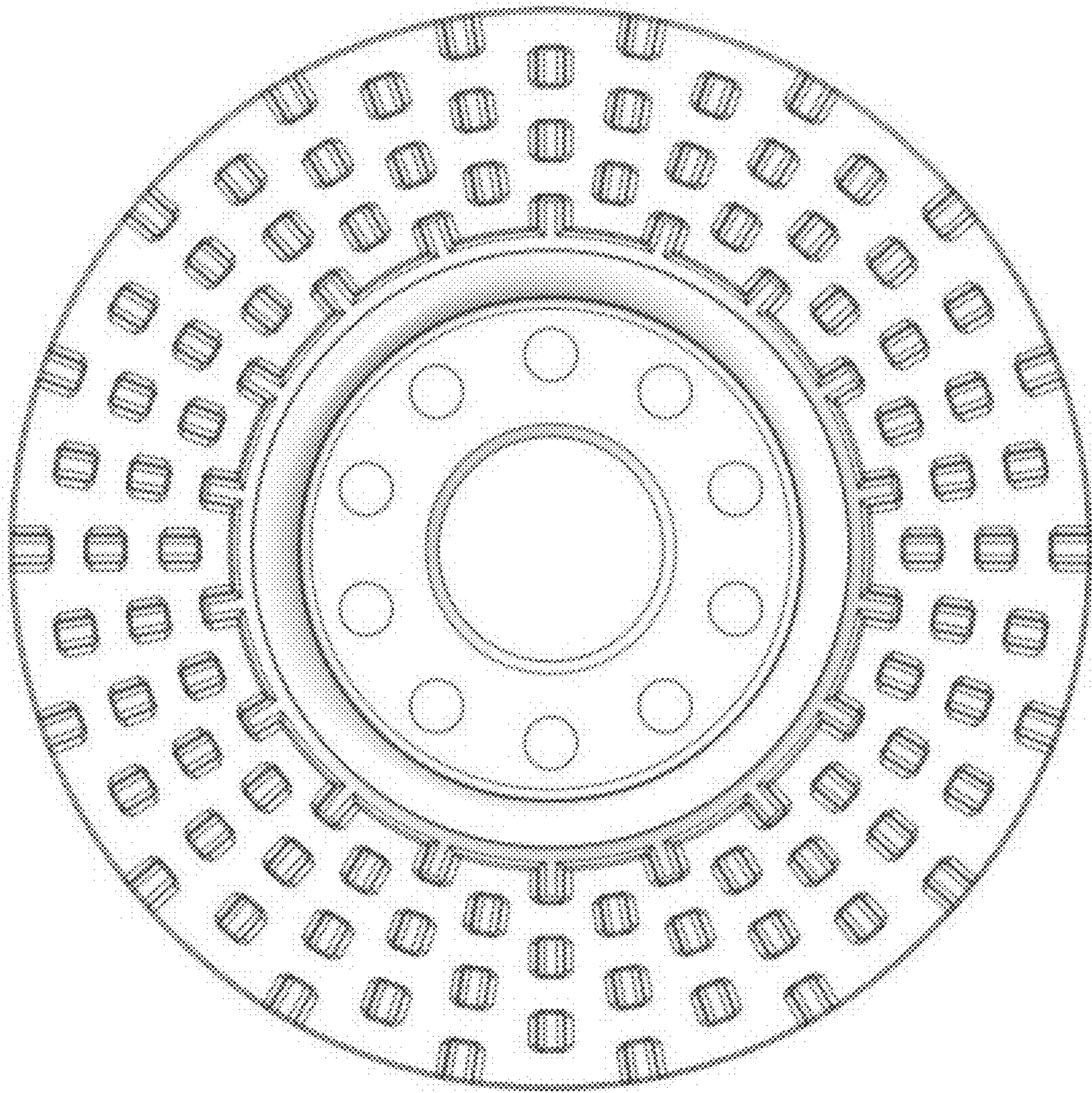


Fig. 4

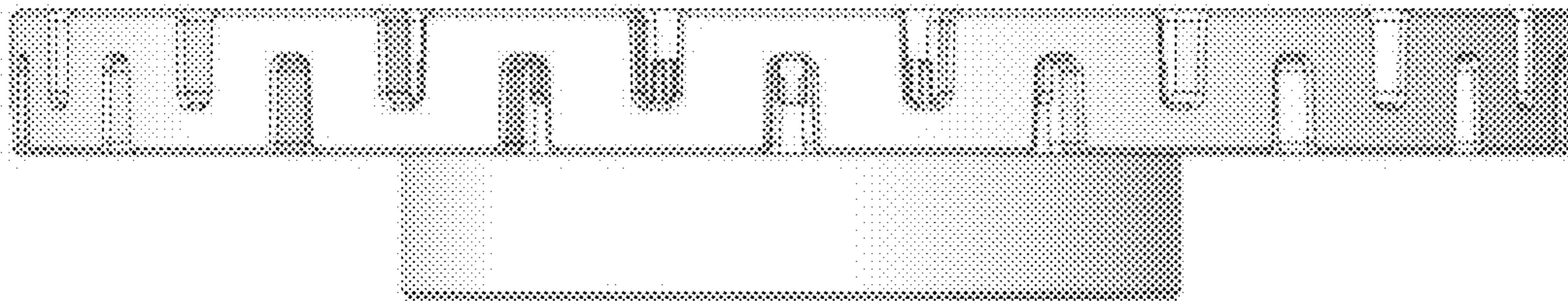


Fig. 5