



US00D947086S

(12) **United States Design Patent**
Geberth et al.

(10) **Patent No.:** **US D947,086 S**
(45) **Date of Patent:** **** Mar. 29, 2022**

(54) **PEDAL**

D499,364 S * 12/2004 Lee D12/174
D499,365 S * 12/2004 Lee D12/174
D517,460 S * 3/2006 Tatsumi D12/174

(Continued)

(71) Applicants: **Daniel Alan Hilton Geberth**, Odessa, FL (US); **Vladimir Stashchak**, Tarpon Springs, FL (US); **Davis Alan Henry**, Tampa, FL (US)

FOREIGN PATENT DOCUMENTS

(72) Inventors: **Daniel Alan Hilton Geberth**, Odessa, FL (US); **Vladimir Stashchak**, Tarpon Springs, FL (US); **Davis Alan Henry**, Tampa, FL (US)

KR 3020120019576 * 7/2013

OTHER PUBLICATIONS

(**) Term: **15 Years**

“Dorman®—Brake Pedal Pad” Carid, posted date Sep. 16, 2020 [online], [retrieved on Nov. 3, 2021]. Retrieved from the Internet <URL:https://www.carid.com/dorman/brake-pedal-pad.html> (Year: 2020).*

(Continued)

(21) Appl. No.: **29/652,603**

(22) Filed: **Sep. 30, 2020**

(51) **LOC (13) Cl.** **12-16**

(52) **U.S. Cl.**
USPC **D12/174; D12/125**

(58) **Field of Classification Search**
USPC **D12/125, 174, 190**
CPC **A47G 27/0206; G05G 1/30; G05G 1/483**
See application file for complete search history.

Primary Examiner — Darlington Ly
Assistant Examiner — Nasim Abdulaziz Ali
(74) *Attorney, Agent, or Firm* — Dunlap Bennett & Ludwig, PLLC

(57) **CLAIM**

The ornamental design for a pedal, as shown and described.

(56) **References Cited**

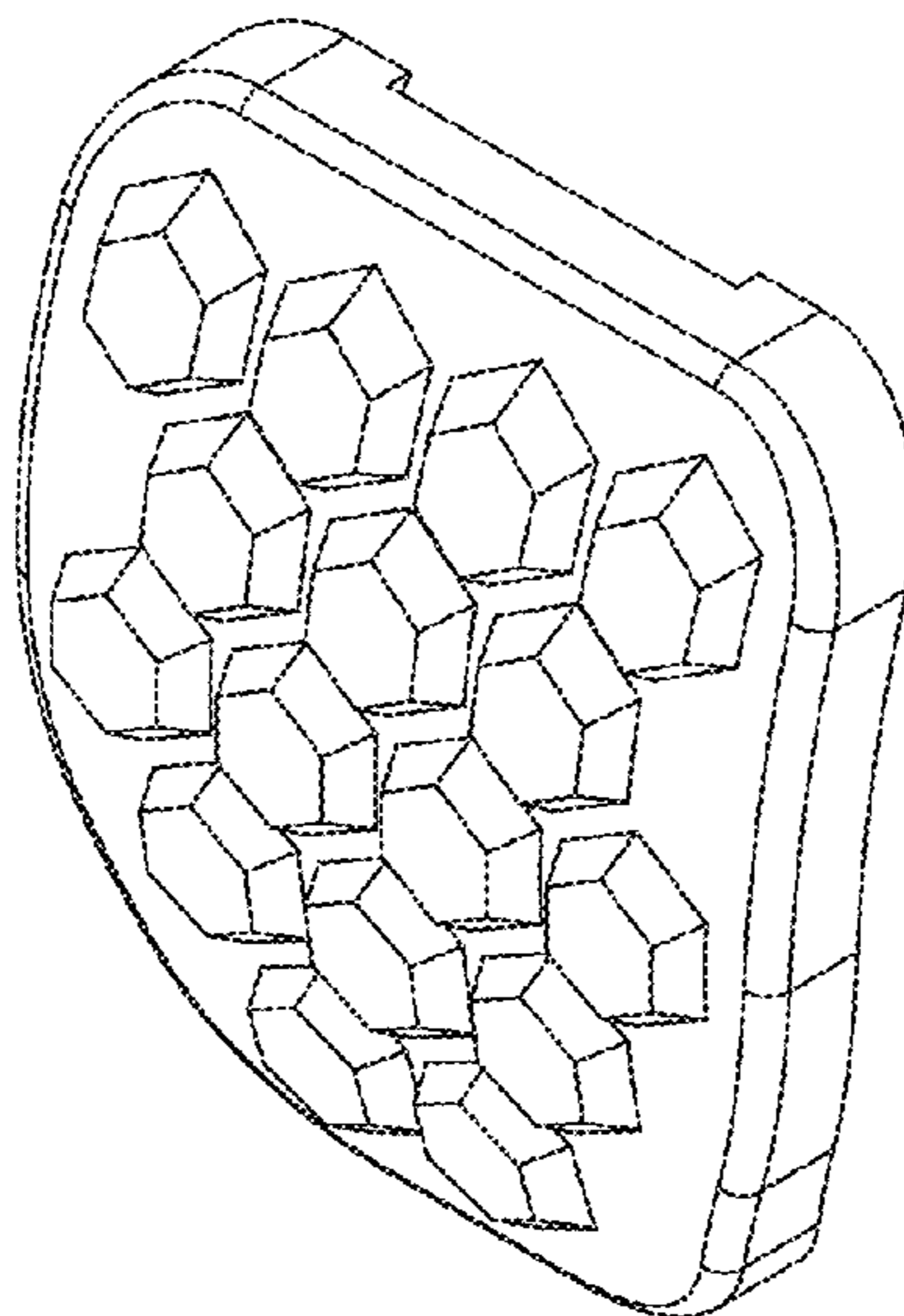
DESCRIPTION

U.S. PATENT DOCUMENTS

D393,298 S * 4/1998 Kuo D12/122
D395,418 S * 6/1998 Darlas D12/180
D424,487 S * 5/2000 Asakura D12/174
D433,971 S * 11/2000 Shien D12/174
6,151,984 A * 11/2000 Johansson G05G 1/323
180/334
D437,271 S * 2/2001 Saleen D12/174
D443,570 S * 6/2001 Saleen D12/174
D444,436 S * 7/2001 Saleen D12/174
D447,102 S * 8/2001 Saleen D12/174
6,415,681 B1 * 7/2002 Porter G05G 1/305
192/13 R
D486,103 S * 2/2004 Watanabe D12/174
D486,104 S * 2/2004 Watanabe D12/174
D486,433 S * 2/2004 Watanabe D12/174
D499,053 S * 11/2004 Lee D12/174

FIG. 1 is a top, front, right perspective view of the pedal, showing our new design;
FIG. 2 is a bottom, front, left perspective view thereof;
FIG. 3 is a front elevation view thereof;
FIG. 4 is a right side elevation view thereof;
FIG. 5 is a left side elevation view thereof;
FIG. 6 is a top plan view thereof;
FIG. 7 is a bottom plan view thereof;
FIG. 8 is a top, rear, right perspective view thereof;
FIG. 9 is a top, rear, left perspective view thereof; and,
FIG. 10 is a rear elevation view thereof.
The broken lines shown in the drawings depict portions of the pedal that form no part of the claimed design.

1 Claim, 6 Drawing Sheets



(56)

References Cited

U.S. PATENT DOCUMENTS

D517,461	S *	3/2006	Tatsumi	D12/174
D540,227	S *	4/2007	Doucet	D12/174
D701,808	S *	4/2014	Geberth	D12/174
D718,192	S *	11/2014	May	D12/114
D924,756	S *	7/2021	Watola	D12/174
D928,102	S *	8/2021	Lu	D13/167
2009/0025506	A1 *	1/2009	Karpachev	B60T 7/06 74/513
2016/0004272	A1 *	1/2016	Kelly	B60T 7/06 74/563
2016/0124457	A1 *	5/2016	Takahashi	G05G 1/483 74/560
2020/0183443	A1 *	6/2020	Kim	G05G 1/38
2020/0192415	A1 *	6/2020	Nagashima	G05G 5/05

OTHER PUBLICATIONS

“OER *R5003 68-81 GM Pedal Pad” Speedway Motors., posted date Jun. 26, 2020 [online], [retrieved on Nov. 3, 2021]. Retrieved from the Internet <URL:<https://www.speedwaymotors.com/OER-R5003-68-81-GM-Pedal-Pad-Trim-Plate-Kit-Disc-Brake,135357.html>> (Year: 2020).*

“Red Hound Auto 2 Brake Clutch Pads Cover” Red Hound., posted date Jun. 30, 2016 [online], [retrieved on Nov. 3, 2021]. Retrieved from the Internet <URL:https://www.amazon.com/Red-Hound-Auto-Transmission-Replacement/dp/B01HS006AE/ref=sr_1_21?dchild=1&keywords=pedal+covers&qid=1635952190&sr=8-21> (Year: 2016).*

* cited by examiner

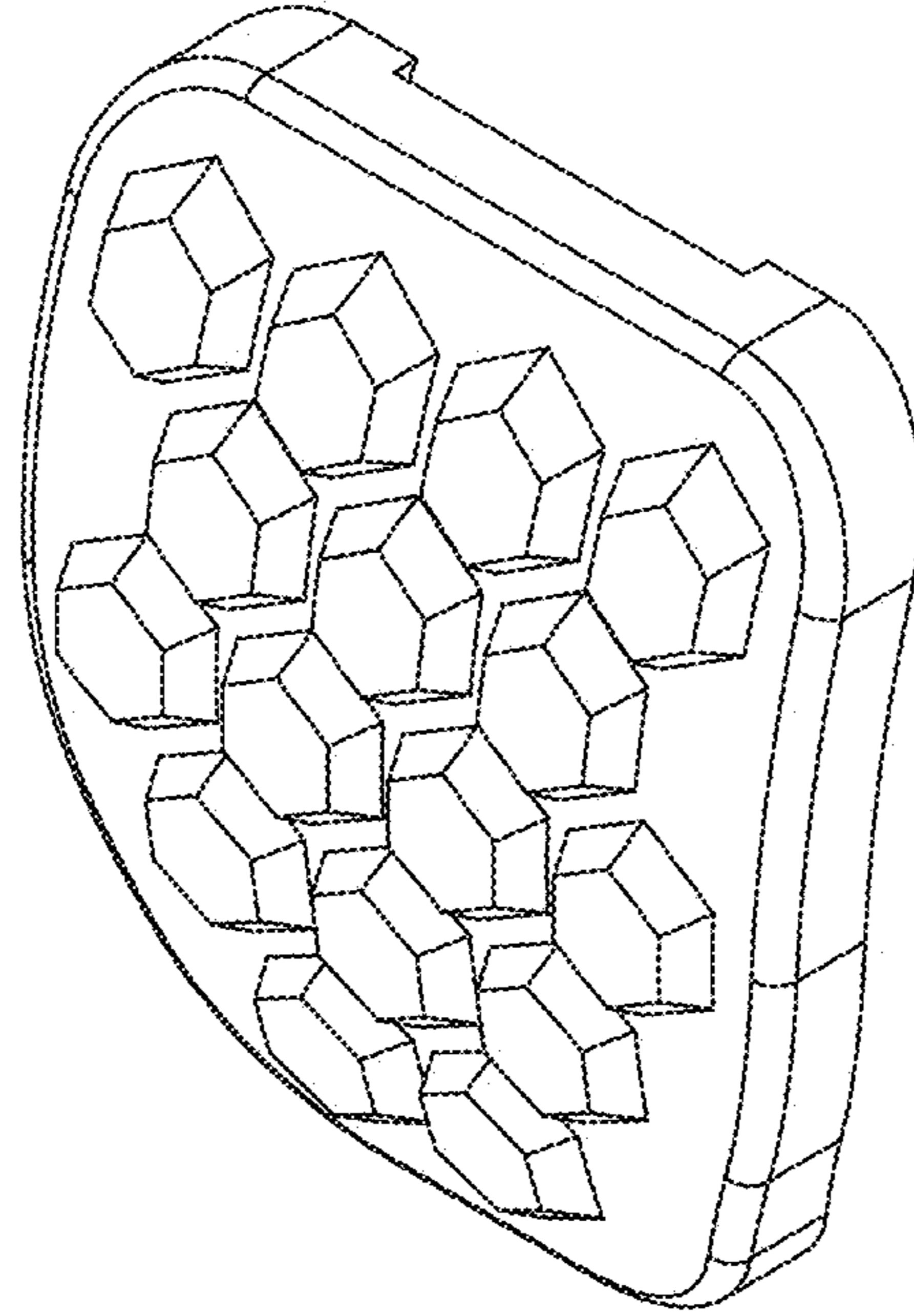


Figure 1

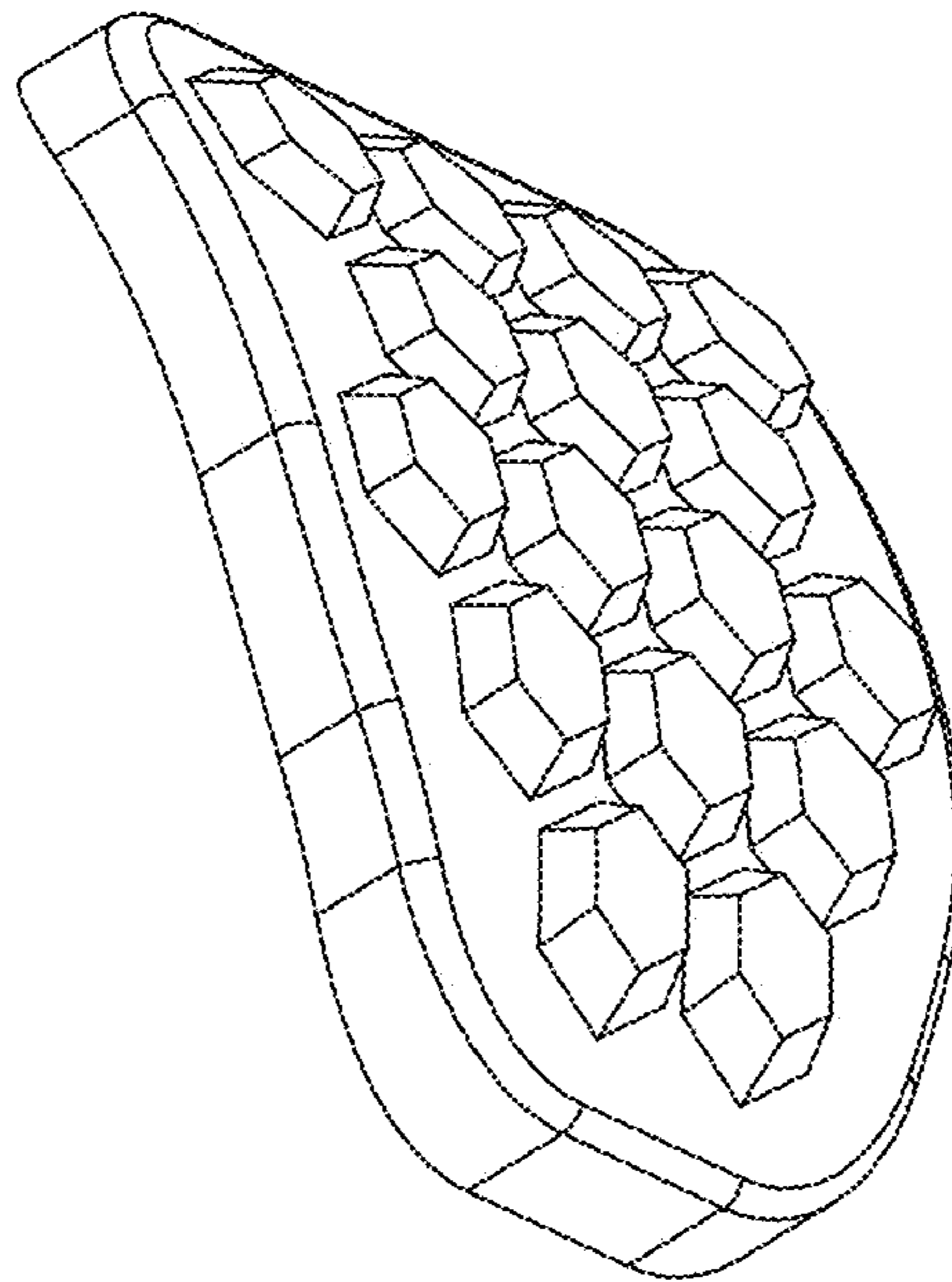


Figure 2

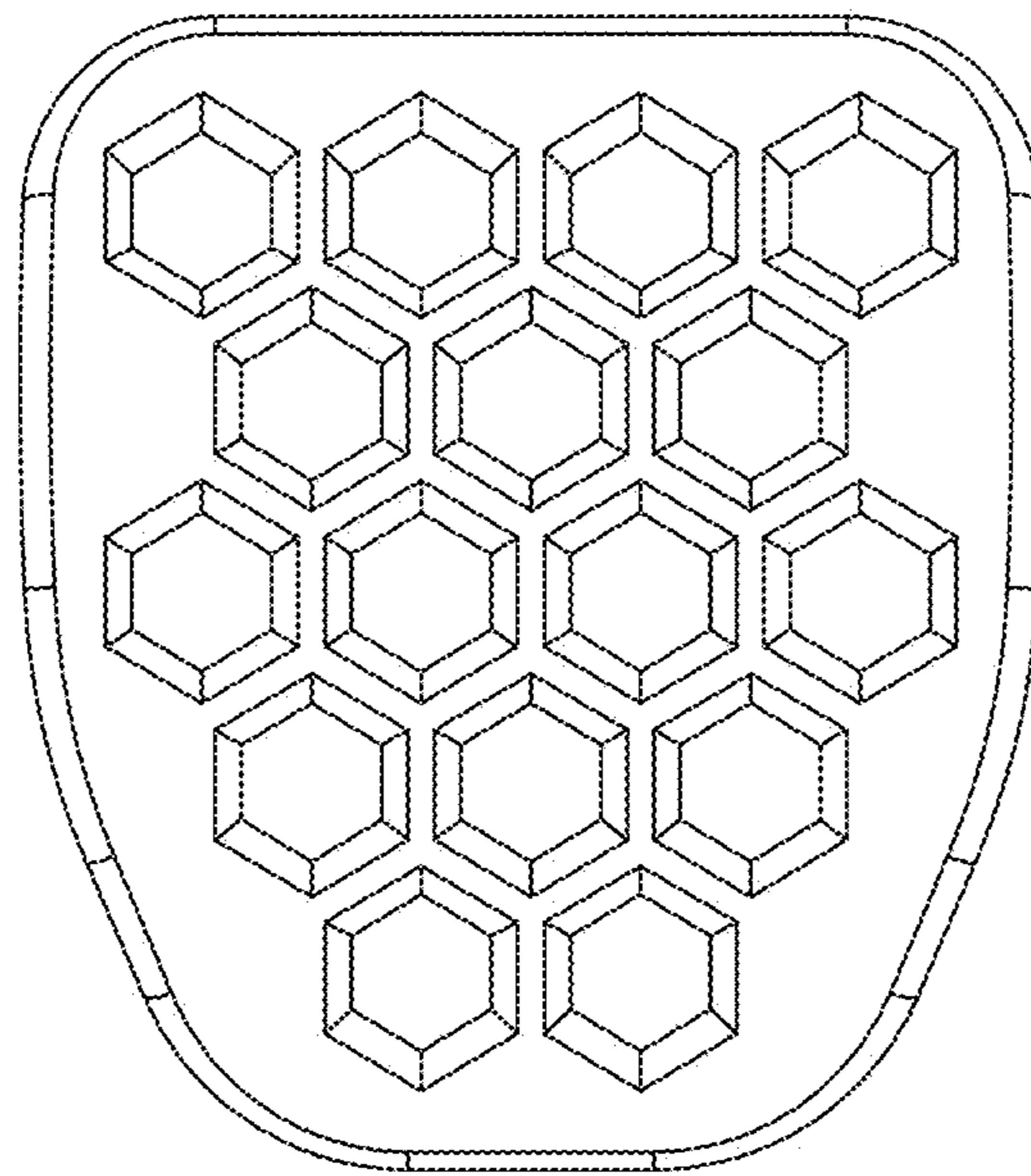


Figure 3

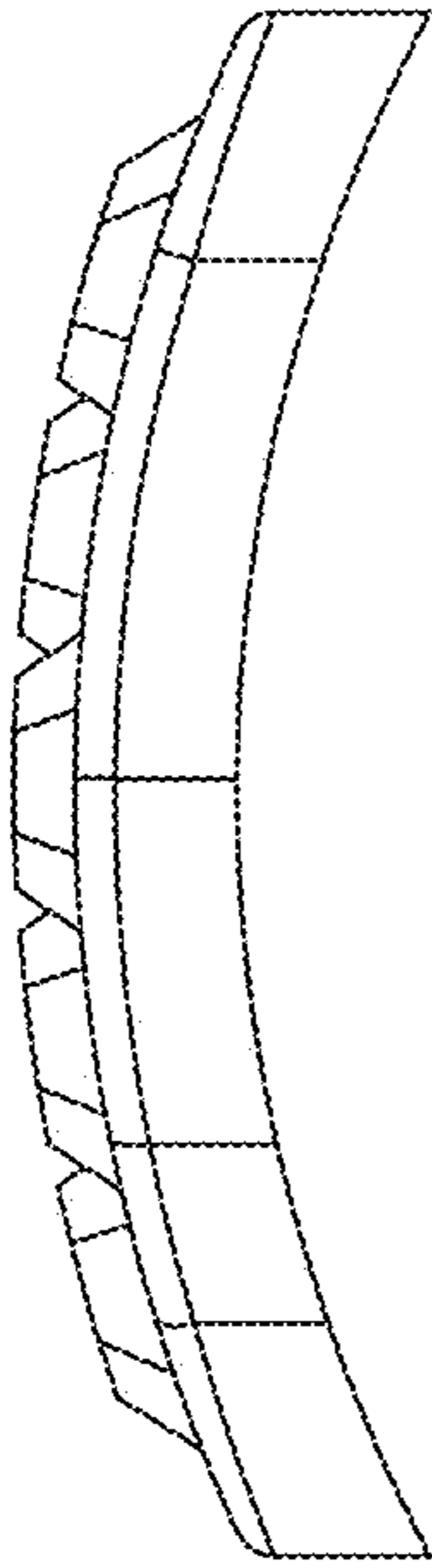


Figure 4

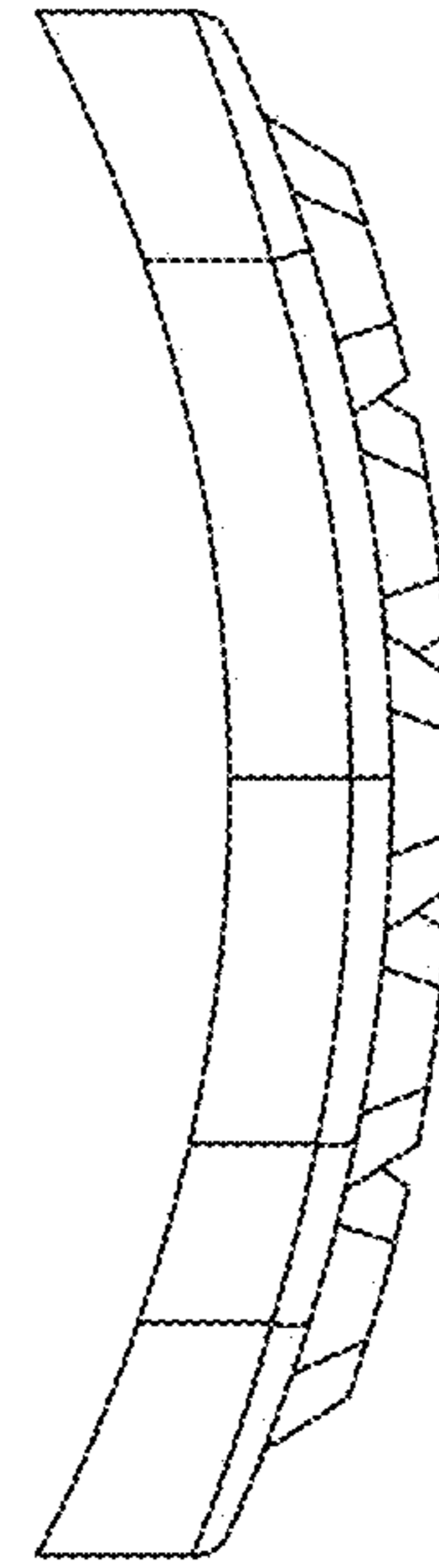


Figure 5

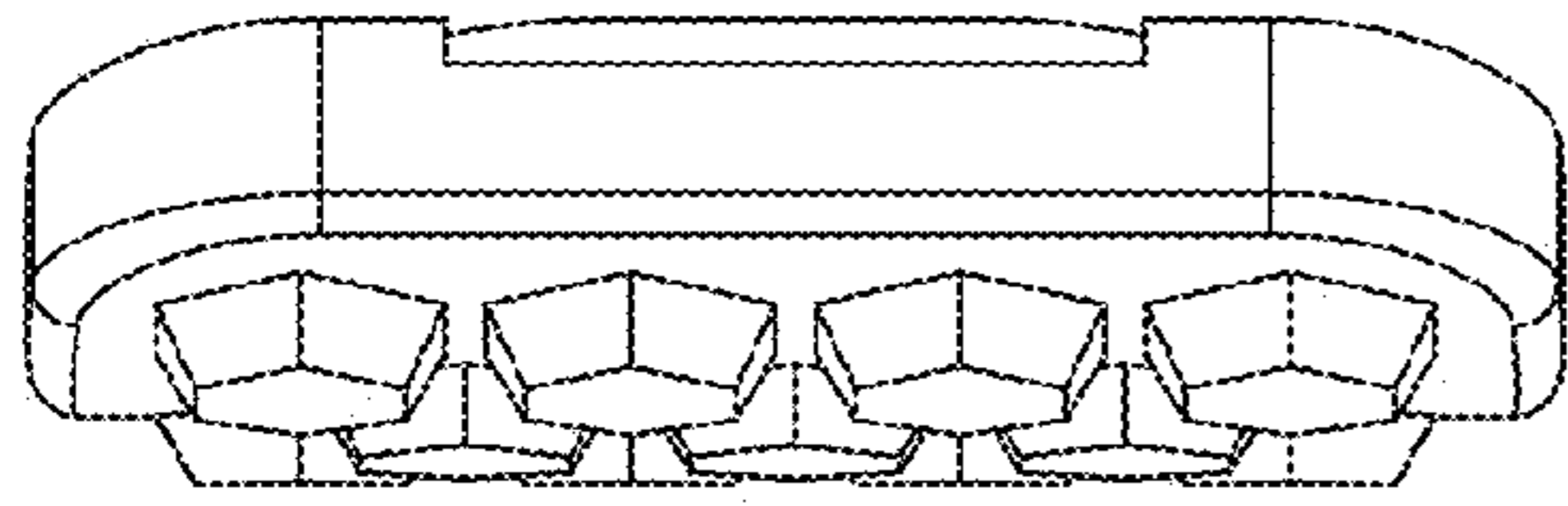


Figure 6

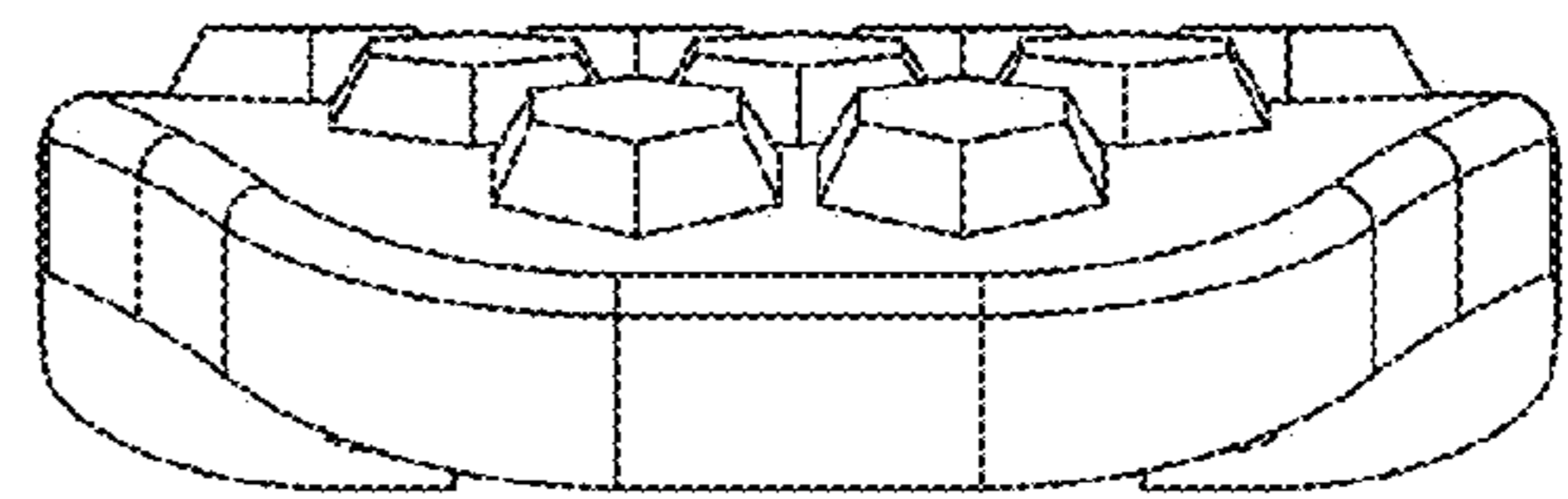


Figure 7

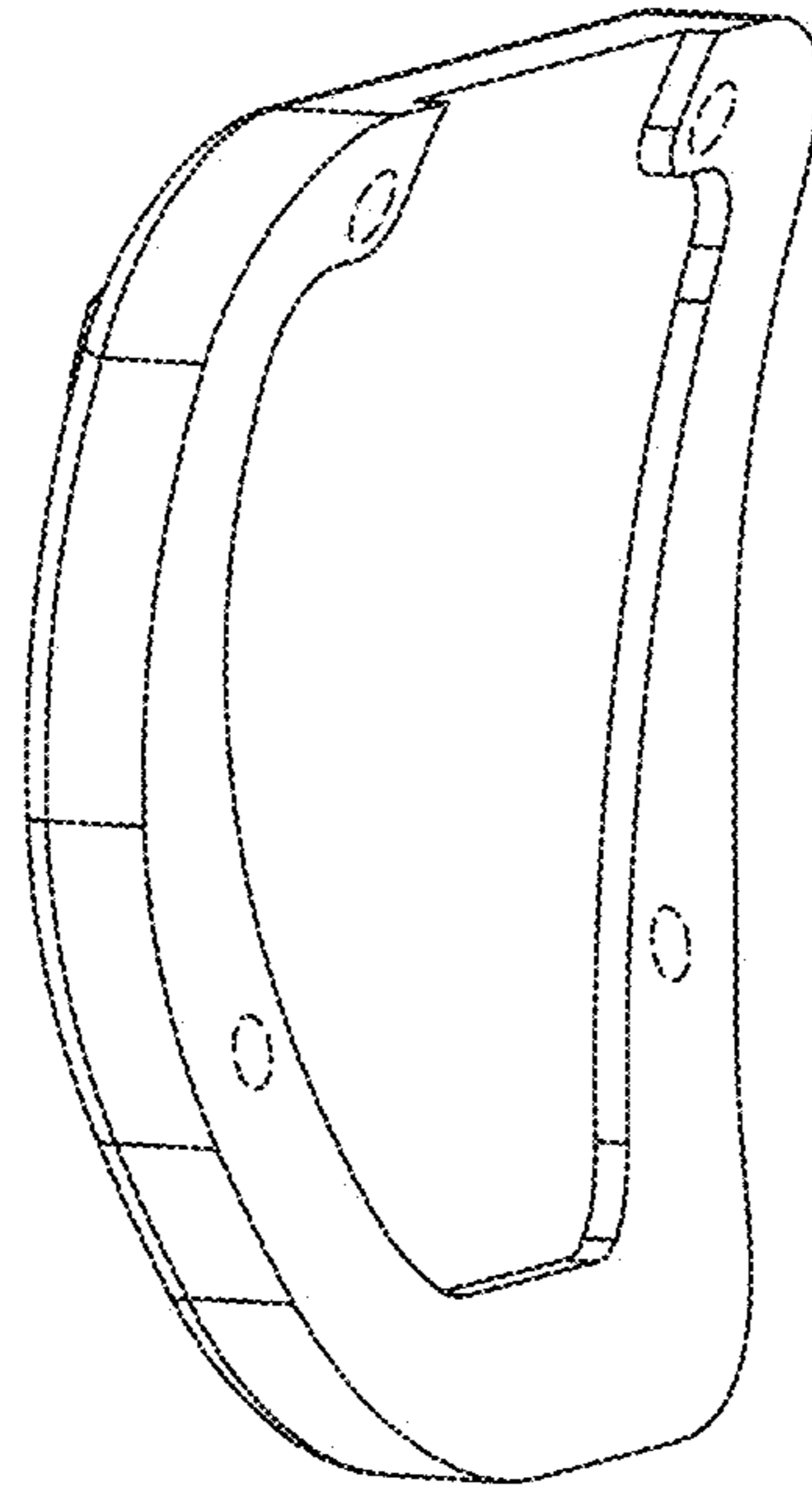


Figure 8

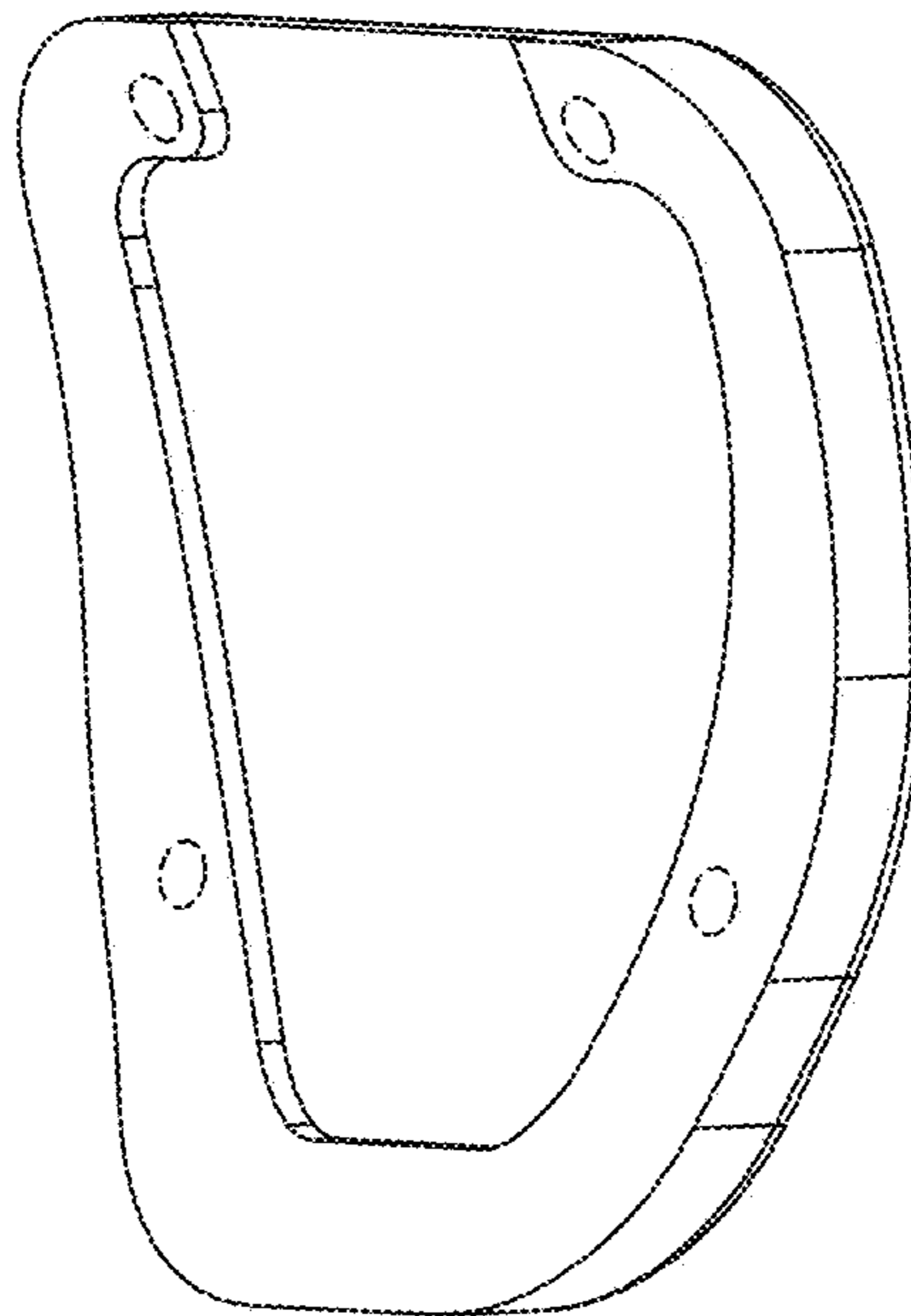


Figure 9

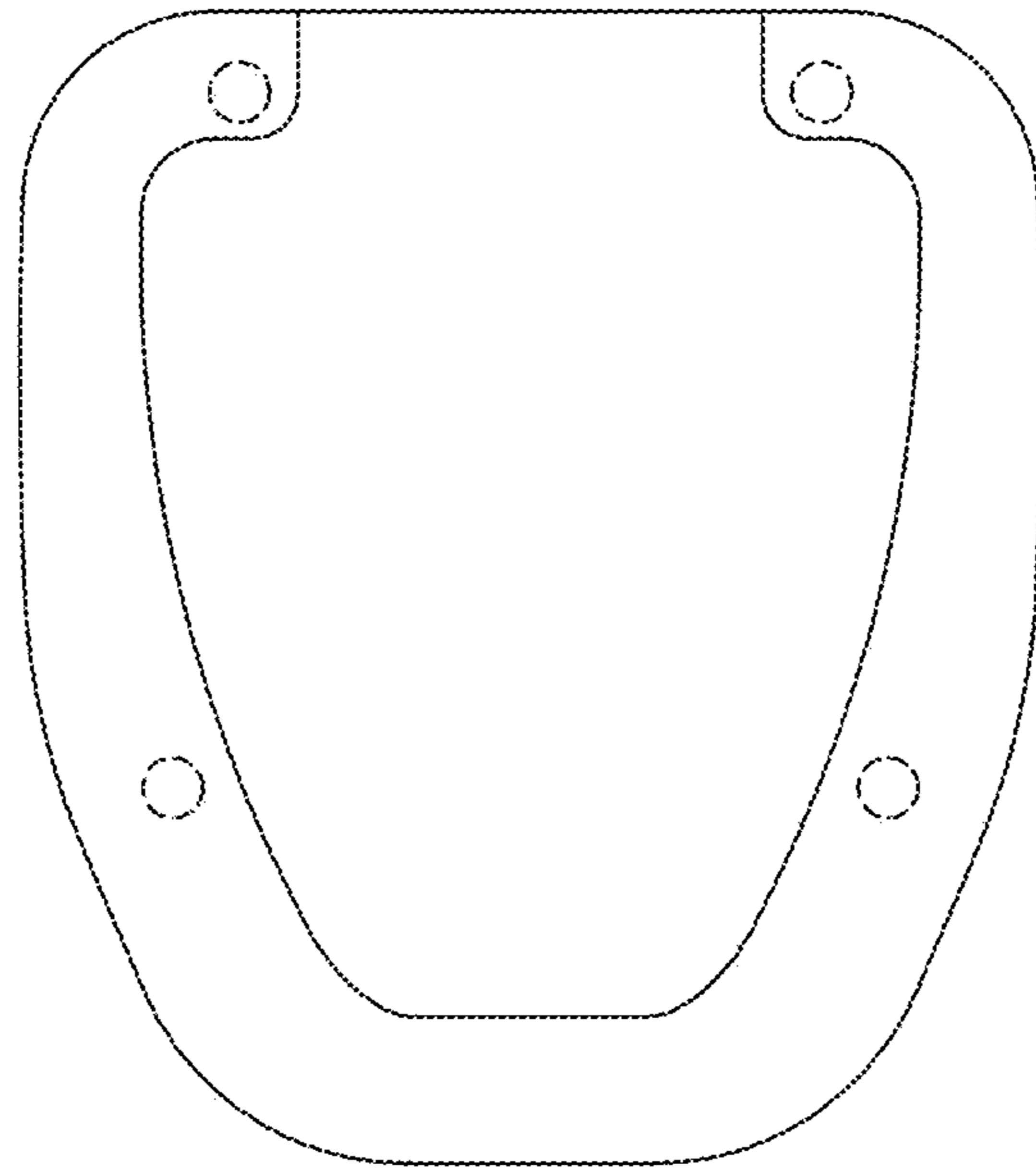


Figure 10