



US00D947085S

(12) **United States Design Patent** (10) **Patent No.:** **US D947,085 S**  
**Park et al.** (45) **Date of Patent:** **\*\* Mar. 29, 2022**

(54) **FRONT BUMPER UPPER COVER FOR AUTOMOBILE**

(71) Applicants: **HYUNDAI MOTOR COMPANY**, Seoul (KR); **KIA MOTORS CORPORATION**, Seoul (KR)

(72) Inventors: **Eun-Soo Park**, Busan (KR); **Yun-Seok Oh**, Ansan-si (KR)

(73) Assignees: **Hyundai Motor Company**, Seoul (KR); **Kia Motors Corporation**, Seoul (KR)

(\*\*) Term: **15 Years**

(21) Appl. No.: **35/510,224**

(22) Filed: **May 19, 2020**

(80) **Hague Agreement Data**

Int. Filing Date: **May 19, 2020**  
Int. Reg. No.: **DM/209948**  
Int. Reg. Date: **May 19, 2020**  
Int. Reg. Pub. Date: **Sep. 4, 2020**

(30) **Foreign Application Priority Data**

Jan. 15, 2020 (KR) ..... 30-2020-0001870

(51) **LOC (13) Cl.** ..... **12-16**

(52) **U.S. Cl.**  
USPC ..... **D12/169**  
CPC ..... **B60R 19/02 (2013.01)**

(58) **Field of Classification Search**  
USPC ... D12/86-92, 163, 164, 169, 171, 196, 216  
CPC ..... B60R 19/02; B60R 19/18; B60R 19/24;  
B60R 19/56; B60R 2019/007  
See application file for complete search history.

(56) **References Cited**

**U.S. PATENT DOCUMENTS**

D614,547 S \* 4/2010 Schell ..... D12/169  
D614,548 S \* 4/2010 Oya ..... D12/169

D617,700 S \* 6/2010 Nishio ..... D12/169  
D624,470 S \* 9/2010 Takahashi ..... D12/169  
D626,472 S \* 11/2010 Loeb ..... D12/169  
D626,473 S \* 11/2010 Mueller ..... D12/169  
D627,278 S \* 11/2010 Komuro ..... D12/169  
D629,341 S \* 12/2010 Choi ..... D12/169  
8,608,214 B2 \* 12/2013 Wallace ..... B60R 19/50  
293/117  
D745,837 S \* 12/2015 Smith ..... D12/169  
D775,010 S \* 12/2016 Kim ..... D12/169  
9,688,227 B2 \* 6/2017 Cepollaro ..... B60R 19/50  
D792,292 S \* 7/2017 Spencer ..... D12/169  
D800,615 S \* 10/2017 Park ..... D12/169  
D801,886 S \* 11/2017 Toriyama ..... D12/169  
D829,619 S \* 10/2018 Kim ..... D12/169  
D829,620 S \* 10/2018 Lim ..... D12/169  
D843,899 S \* 3/2019 Nakajima ..... D12/169  
D860,886 S \* 9/2019 Hong ..... D12/169

(Continued)

*Primary Examiner* — Richard E Chilcot

(74) *Attorney, Agent, or Firm* — Mintz Levin Cohn Ferris Glovsky and Popeo, P.C.; Peter F. Corless

(57) **CLAIM**

The ornamental design for a front bumper upper cover for automobile, as shown and described.

**DESCRIPTION**

1. Front bumper upper cover for automobile

1.1 : Perspective

1.2 : Front

1.3 : Back

1.4 : Left

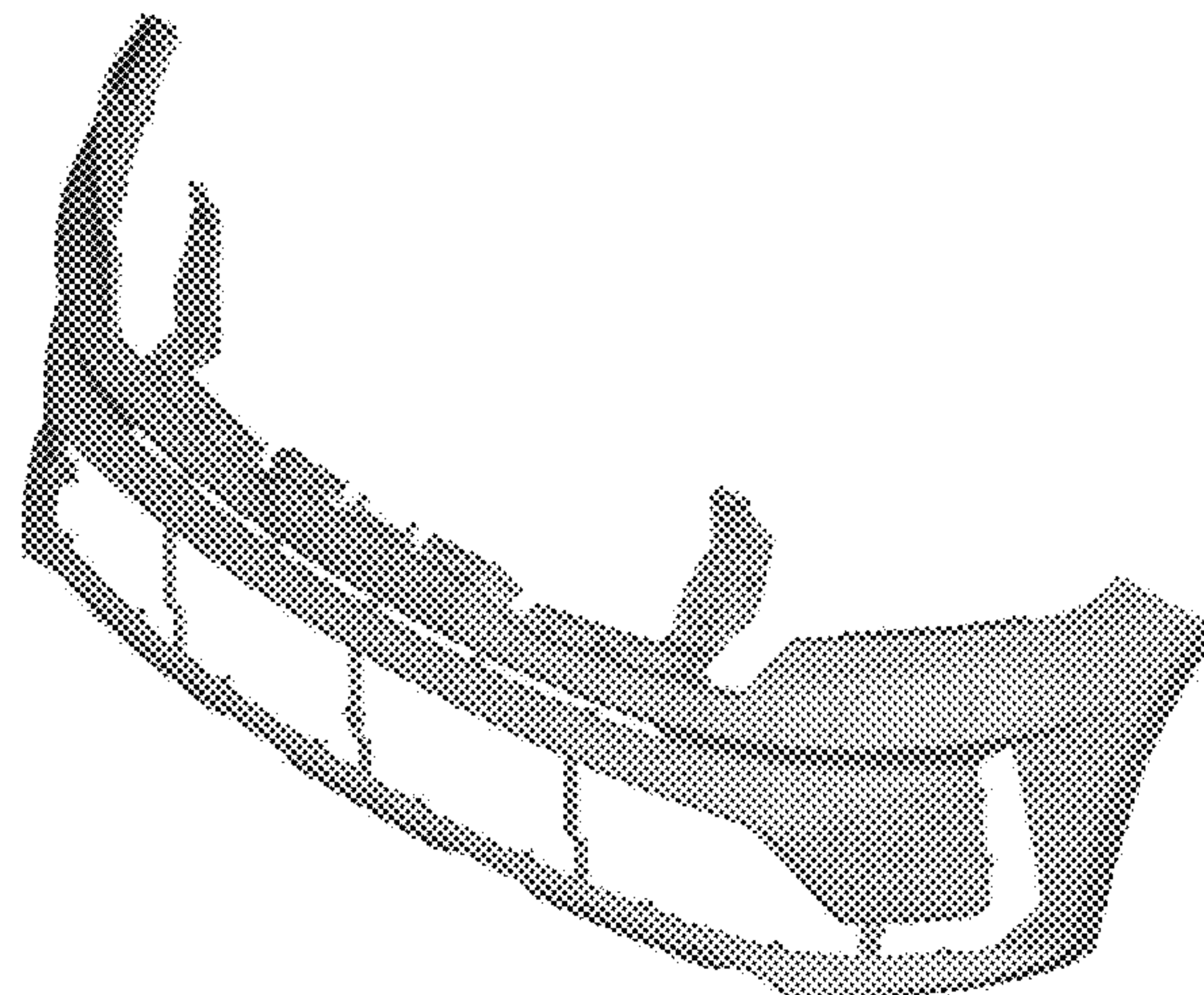
1.5 : Right

1.6 : Top

1.7 : Bottom

1.1 is a perspective view of a front bumper upper cover for automobile showing our new design; 1.2 is a front elevation view thereof; 1.3 is a back elevation view thereof; 1.4 is a left side elevation view thereof; 1.5 is a right side elevation view thereof; 1.6 is a top plan view thereof; and 1.7 is a bottom plan view thereof.

**1 Claim, 7 Drawing Sheets**



(56)

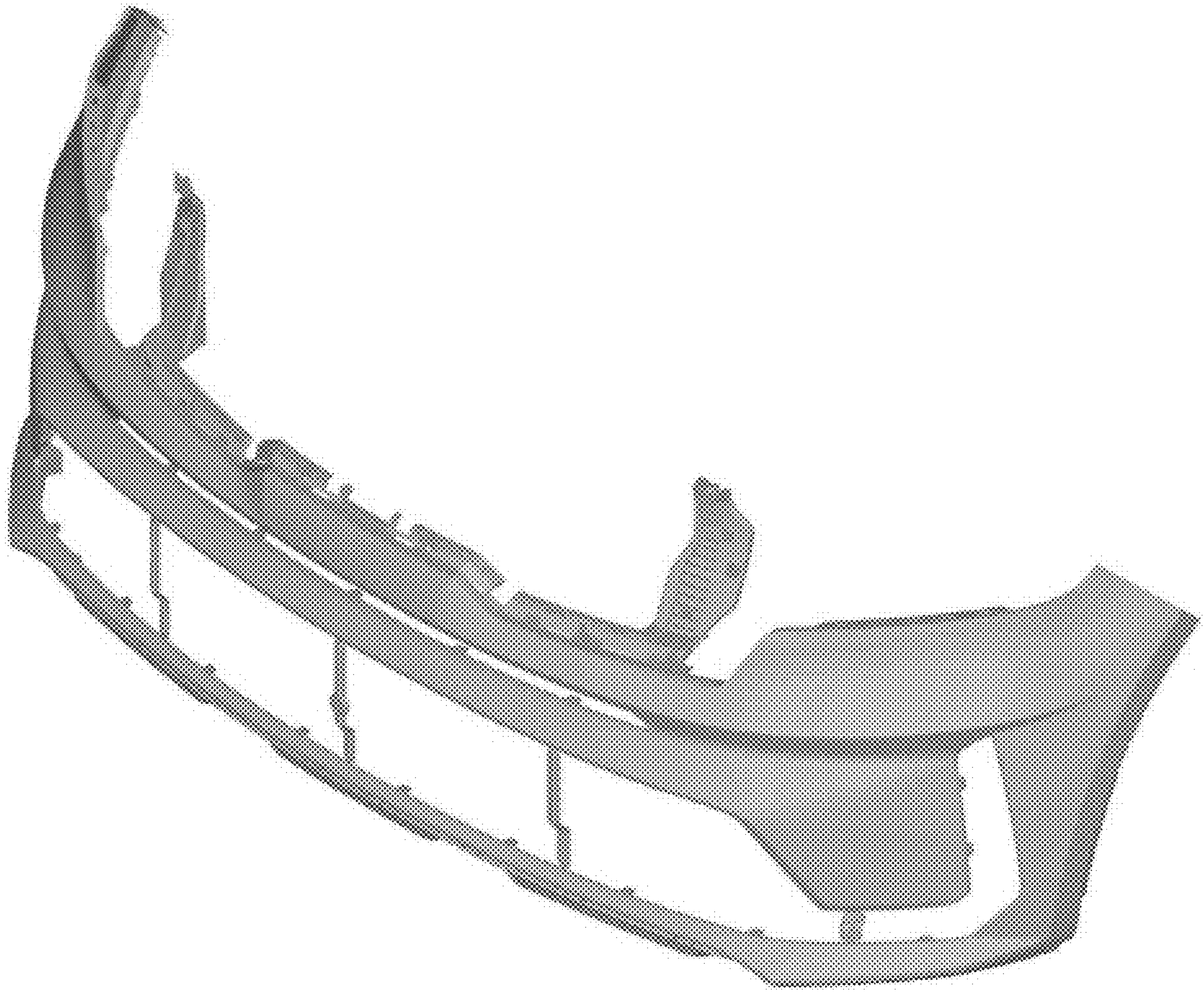
**References Cited**

U.S. PATENT DOCUMENTS

|              |      |         |                  |                       |
|--------------|------|---------|------------------|-----------------------|
| D862,316     | S *  | 10/2019 | Melikian .....   | D12/169               |
| D865,588     | S *  | 11/2019 | Hong .....       | D12/169               |
| D870,610     | S *  | 12/2019 | Tonello .....    | D12/169               |
| D890,043     | S *  | 7/2020  | Choi .....       | D12/169               |
| D892,687     | S *  | 8/2020  | Kim .....        | D12/169               |
| D892,688     | S *  | 8/2020  | Oh .....         | D12/169               |
| D893,367     | S *  | 8/2020  | Kim .....        | D12/169               |
| D893,368     | S *  | 8/2020  | Oh .....         | D12/169               |
| D896,713     | S *  | 9/2020  | Choi .....       | D12/169               |
| D901,344     | S *  | 11/2020 | Kim .....        | D12/169               |
| D902,806     | S *  | 11/2020 | Oh .....         | D12/169               |
| D909,931     | S *  | 2/2021  | Toriyama .....   | D12/169               |
| D915,958     | S *  | 4/2021  | Lee .....        | D12/169               |
| D917,353     | S *  | 4/2021  | Lee .....        | D12/169               |
| D918,792     | S *  | 5/2021  | Koo .....        | D12/169               |
| D922,277     | S *  | 6/2021  | Kim .....        | D12/169               |
| D922,278     | S *  | 6/2021  | Kim .....        | D12/169               |
| 2008/0079271 | A1 * | 4/2008  | Maruko .....     | B60R 19/52<br>293/102 |
| 2009/0243340 | A1 * | 10/2009 | Goldsberry ..... | B60R 19/50<br>296/191 |

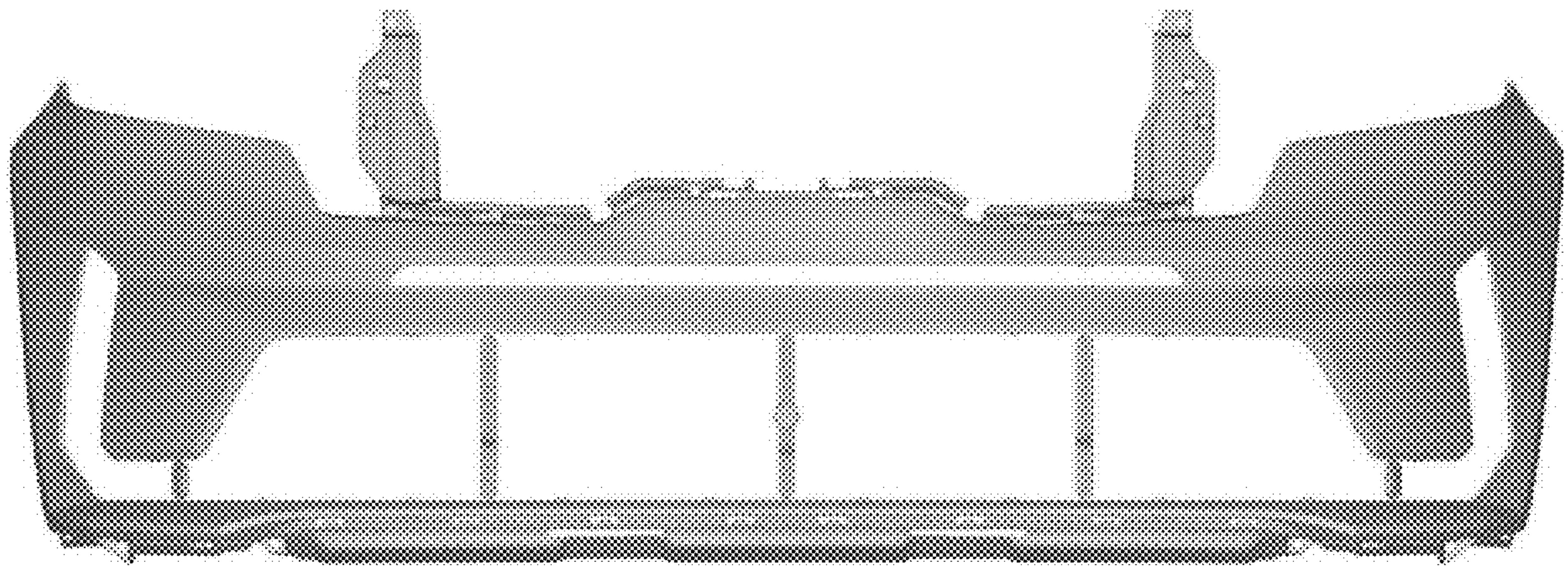
\* cited by examiner

1.1

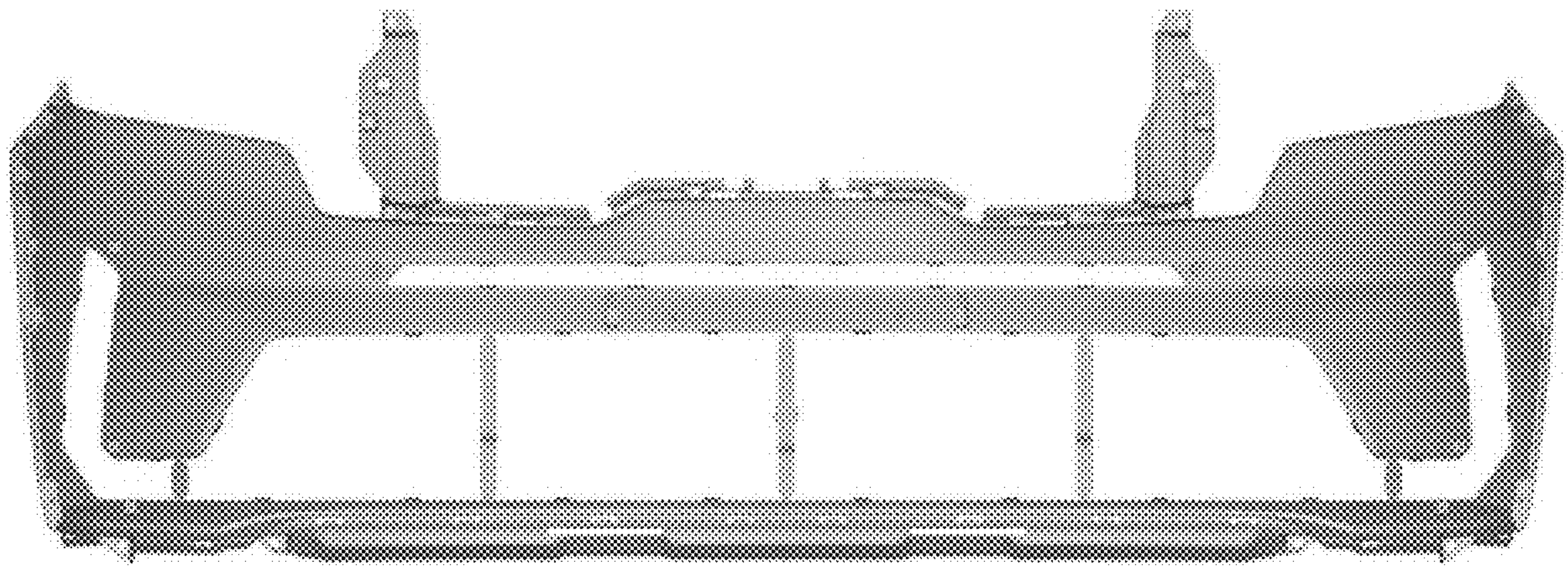




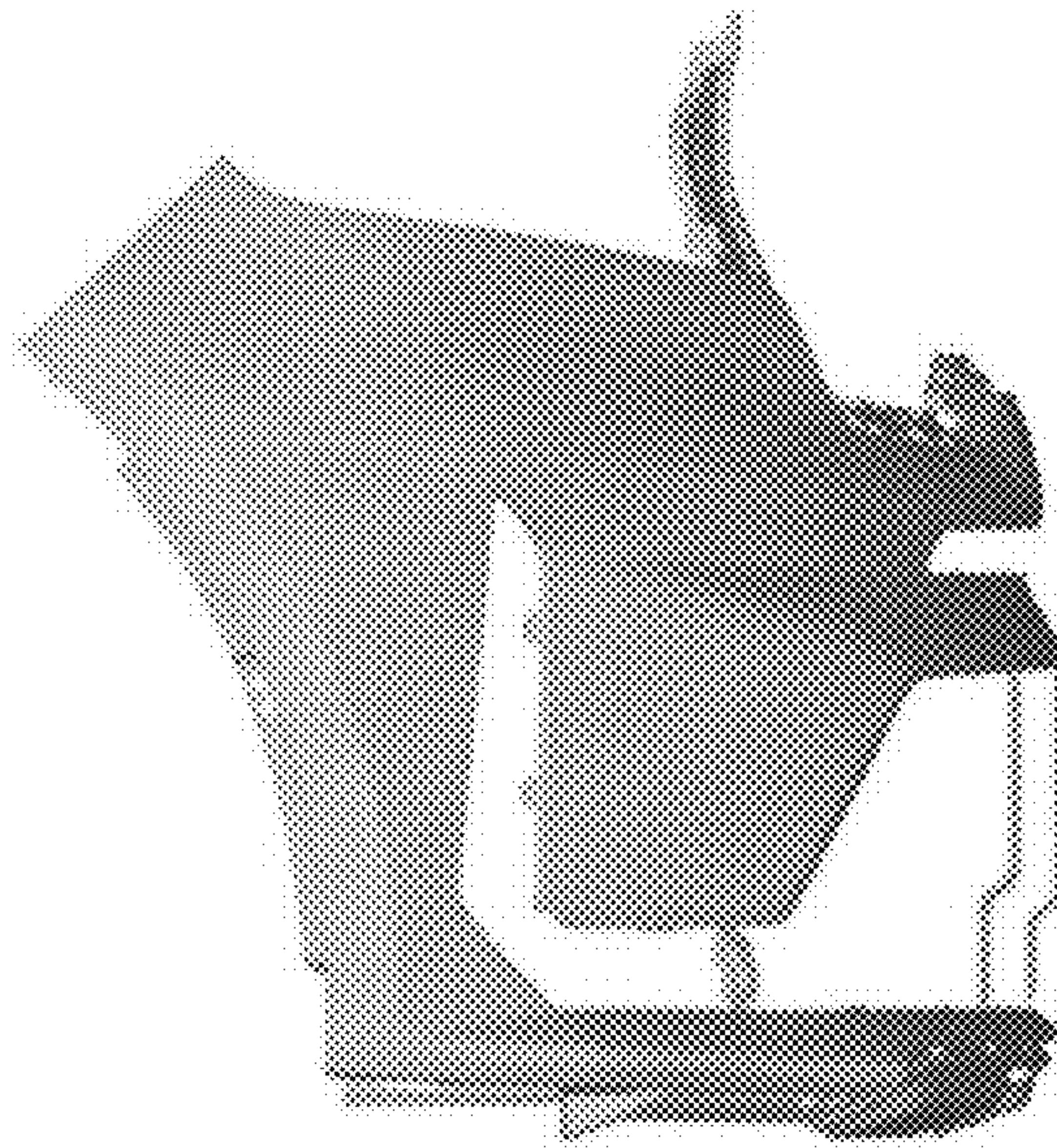
1.2



1.3

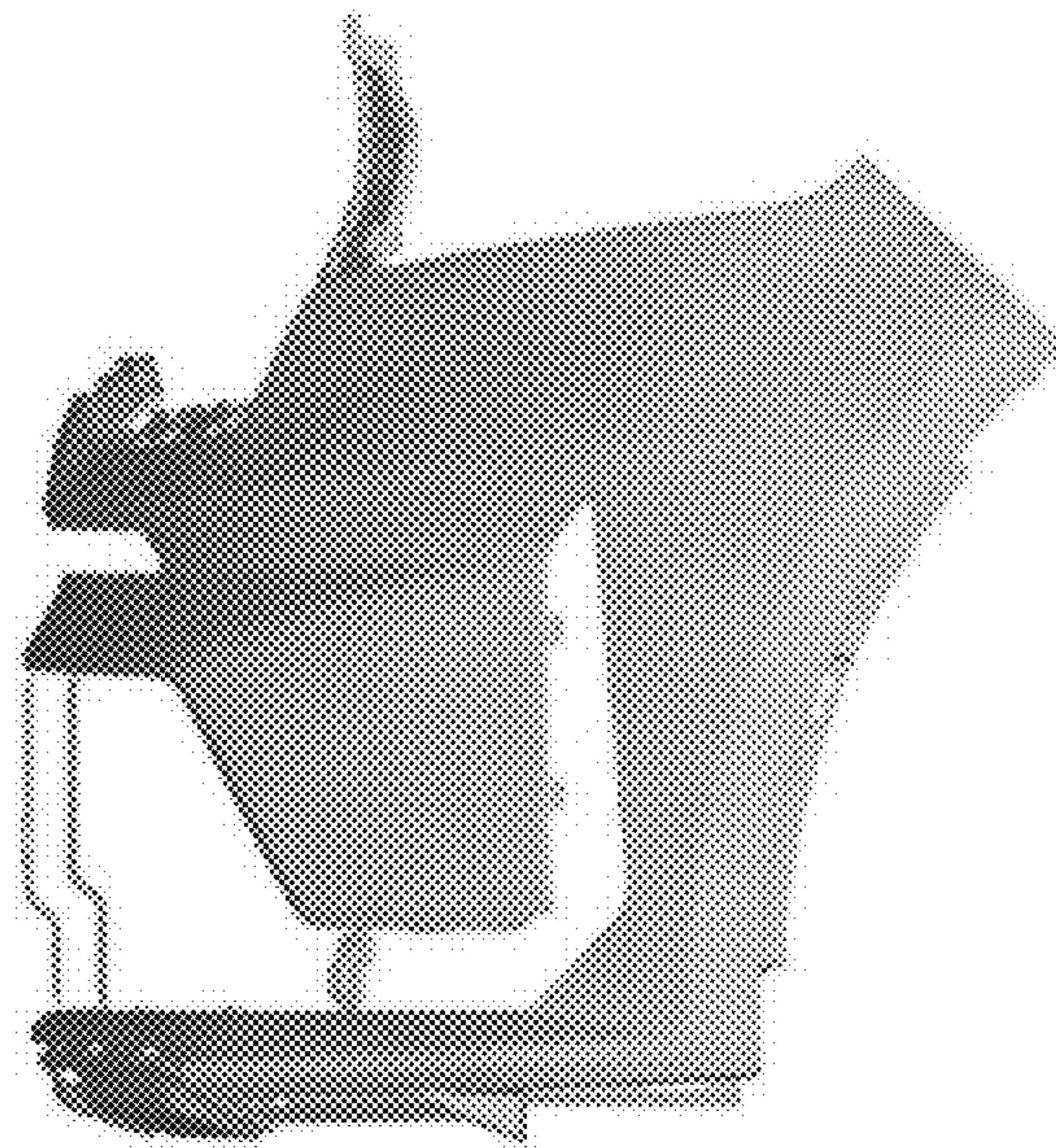


1.4

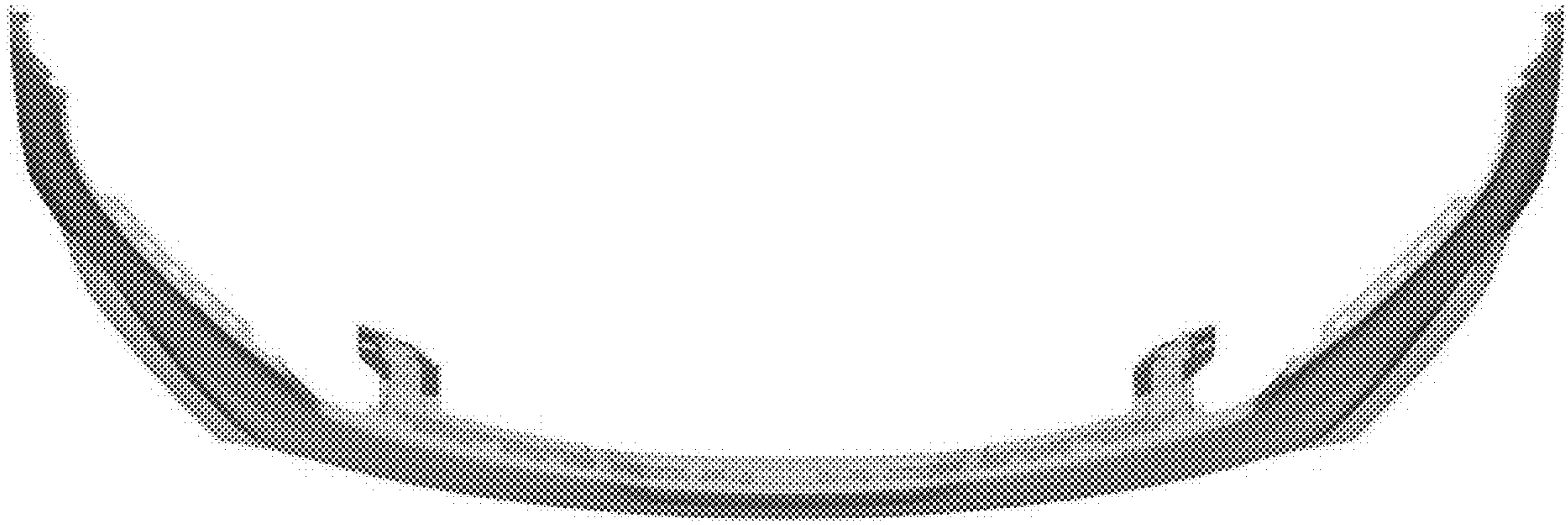




1.5



1.6





1.7

