



US00D947080S

(12) **United States Design Patent**  
**Bonet Molledo**

(10) **Patent No.:** **US D947,080 S**

(45) **Date of Patent:** **\*\* Mar. 29, 2022**

(54) **AIR-INTAKE GRILLE FOR VEHICLES**

(71) Applicant: **BRAVO DEAL, S.L.**, Girona (ES)

(72) Inventor: **Joan Bonet Molledo**, Girona (ES)

(73) Assignee: **BRAVO DEAL, S.L.**, Girona (ES)

(\*\*) Term: **15 Years**

(21) Appl. No.: **29/740,331**

(22) Filed: **Jul. 2, 2020**

(30) **Foreign Application Priority Data**

Jan. 2, 2020 (EM) ..... 007469564-0001

(51) **LOC (13) Cl.** ..... **12-16**

(52) **U.S. Cl.**  
USPC ..... **D12/163; D15/5**

(58) **Field of Classification Search**

USPC ..... D12/82, 85, 86, 88, 89, 90, 91, 92, 93,  
D12/94, 96, 98, 99, 163, 164, 165, 166,  
D12/167, 169, 170, 171, 172, 173, 181,  
D12/190, 192, 194, 196, 216, 223, 400;  
D21/533, 548, 552, 561; D15/1, 3, 5;  
D23/263, 266

CPC ..... B60K 11/00; B60K 11/08; B60K 13/02;  
B60R 19/00; B60R 19/18; B60R 19/52;  
B60R 2019/525; B60R 2019/527; F02M  
35/10; F02M 35/16; F02M 35/161; F02M  
35/164; F02M 35/10006; F02M  
35/10013; F02M 35/10091; B62D 25/08;  
B62D 35/00; B62D 65/16; F24F 13/082  
See application file for complete search history.

(56) **References Cited**

**U.S. PATENT DOCUMENTS**

2,037,176 A \* 4/1936 Phail ..... F24F 13/075  
49/87.1  
2,091,621 A \* 8/1937 Anderson ..... F24F 13/06  
454/331

D225,615 S \* 12/1972 Bishop ..... D8/402  
D289,516 S \* 4/1987 Watts ..... D12/196  
D309,348 S \* 7/1990 Sarazen, Jr. .... D23/387  
D389,109 S \* 1/1998 Stollery ..... D12/173  
D424,992 S \* 5/2000 Faurote ..... D12/163  
D432,475 S \* 10/2000 Hankinson ..... D12/196  
D477,552 S \* 7/2003 Britt ..... D12/173  
D491,847 S \* 6/2004 Velazco ..... D12/163  
D498,774 S \* 11/2004 Radtke ..... D15/144  
D499,750 S \* 12/2004 Mistry ..... D15/31  
D570,564 S \* 6/2008 Paredes ..... D32/31  
D572,179 S \* 7/2008 Zimmermann ..... D12/163  
D687,071 S \* 7/2013 Bennett ..... D15/5  
D733,619 S \* 7/2015 Glover ..... D12/163

(Continued)

**OTHER PUBLICATIONS**

Bravo Snorkel Jeep Wrangler, Published date unavailable [online],  
[retrieved on May 5, 2021], Retrieved from the Internet: <https://bravosnorkel.com/en/wrangler/98-bravo-snorkel-jeep-wrangler-jl-2017-extra.html> (Year: 2021).\*

*Primary Examiner* — Cary M Robinson

*Assistant Examiner* — Adam C Mager

(74) *Attorney, Agent, or Firm* — Lucas & Mercanti, LLP

(57)

**CLAIM**

The ornamental design for an air-intake grille for vehicles,  
as shown and described.

**DESCRIPTION**

FIG. 1 is a front view of an air-intake grille for vehicles  
according to the design;

FIG. 2 is a top view thereof;

FIG. 3 is a side view thereof;

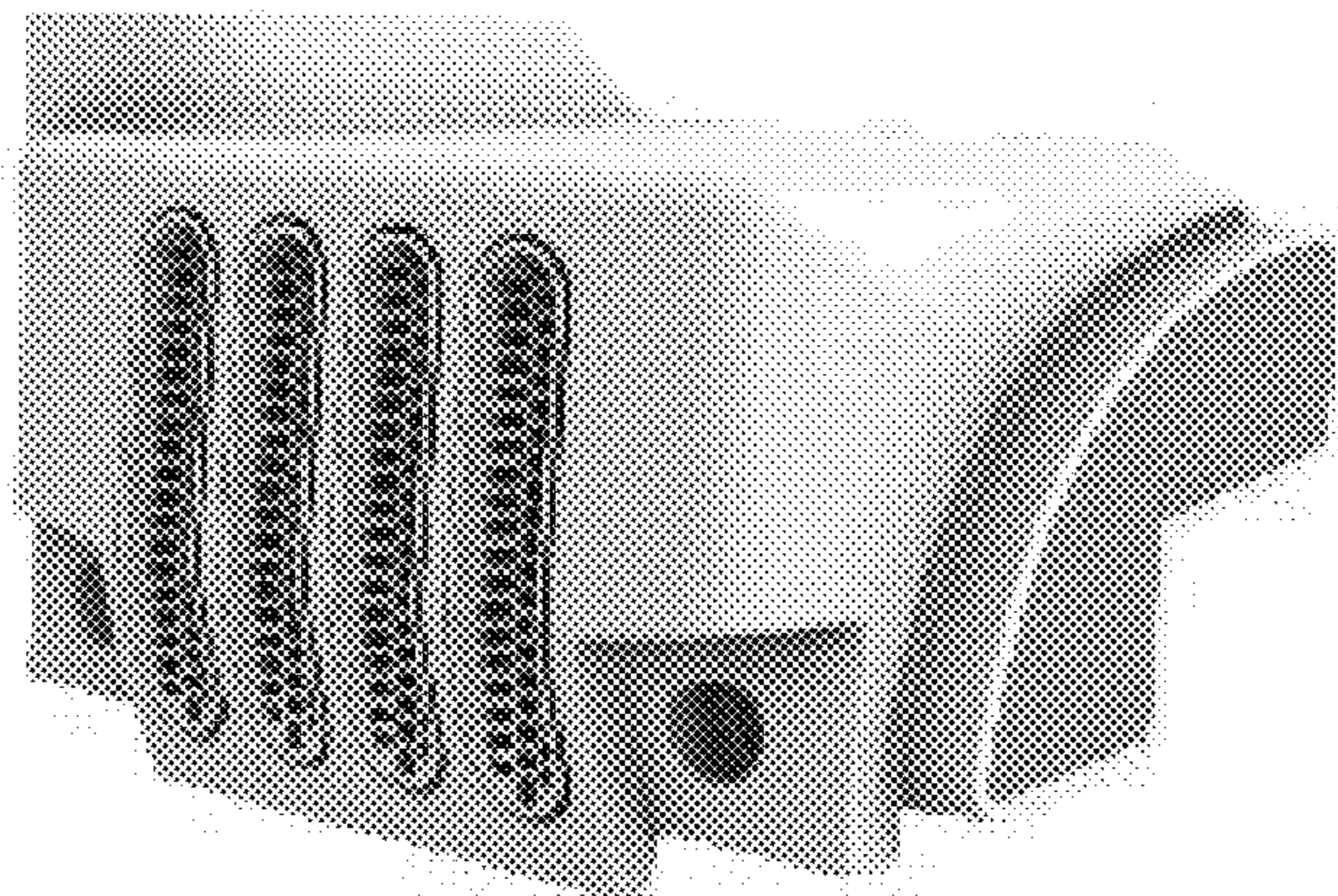
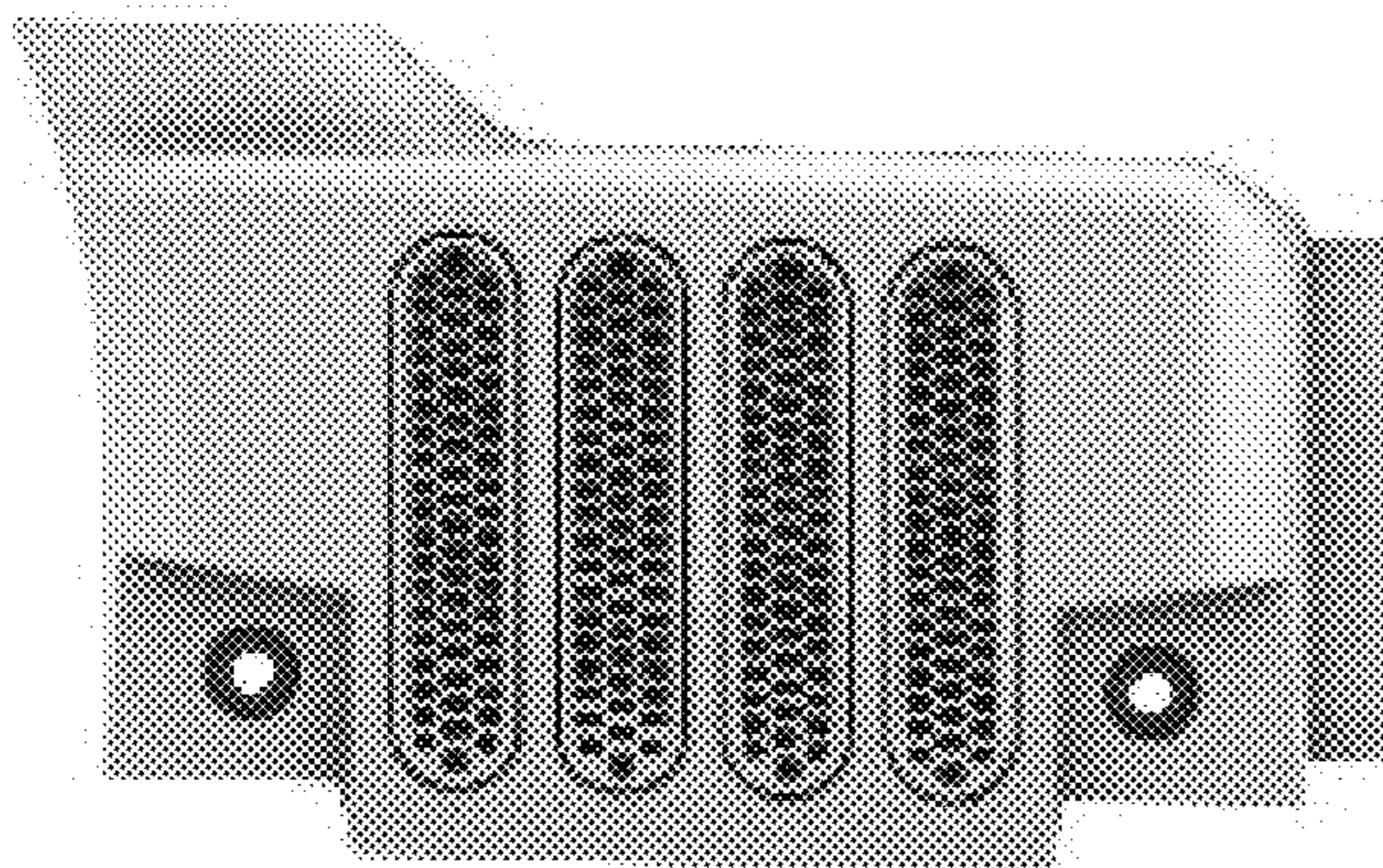
FIG. 4 is a front perspective view thereof;

FIG. 5 is an elevated front perspective view thereof;

FIG. 6 is a back perspective view thereof; and,

FIG. 7 is another back perspective view thereof.

**1 Claim, 7 Drawing Sheets**



(56)

**References Cited**

U.S. PATENT DOCUMENTS

D738,797	S *	9/2015	Kavaja .....	D12/163
D743,850	S *	11/2015	Howell .....	D12/163
D746,731	S *	1/2016	Quezada .....	D12/163
D807,798	S *	1/2018	Piscitelli .....	D12/163
D826,107	S *	8/2018	DiCanzio .....	D12/163
D842,172	S *	3/2019	Chi .....	D12/163
D842,175	S *	3/2019	Hartenstein .....	D12/163
D863,139	S *	10/2019	Hoste .....	D12/163
D896,142	S *	9/2020	Bennett .....	D12/190
D896,277	S *	9/2020	Bennett .....	D15/5
11,027,641	B2 *	6/2021	Hartenstein .....	B60Q 1/34
D927,555	S *	8/2021	Bennett .....	D15/5
2009/0066096	A1 *	3/2009	Doroghazi .....	B60R 19/52 293/115
2014/0008136	A1 *	1/2014	Bennett .....	B60K 13/02 180/68.3
2019/0106047	A1 *	4/2019	Hartenstein .....	B60Q 1/34

\* cited by examiner

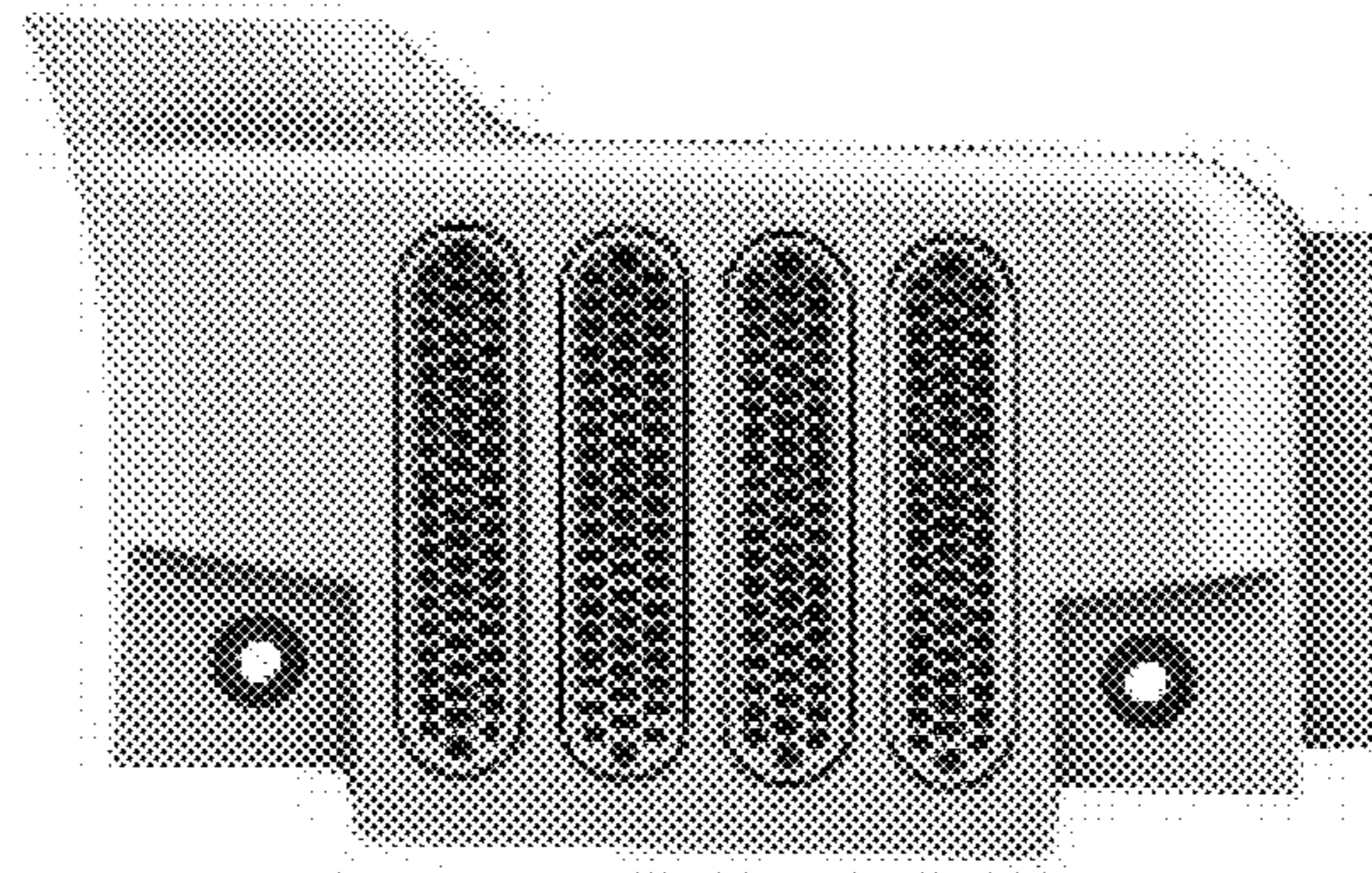


FIG.1

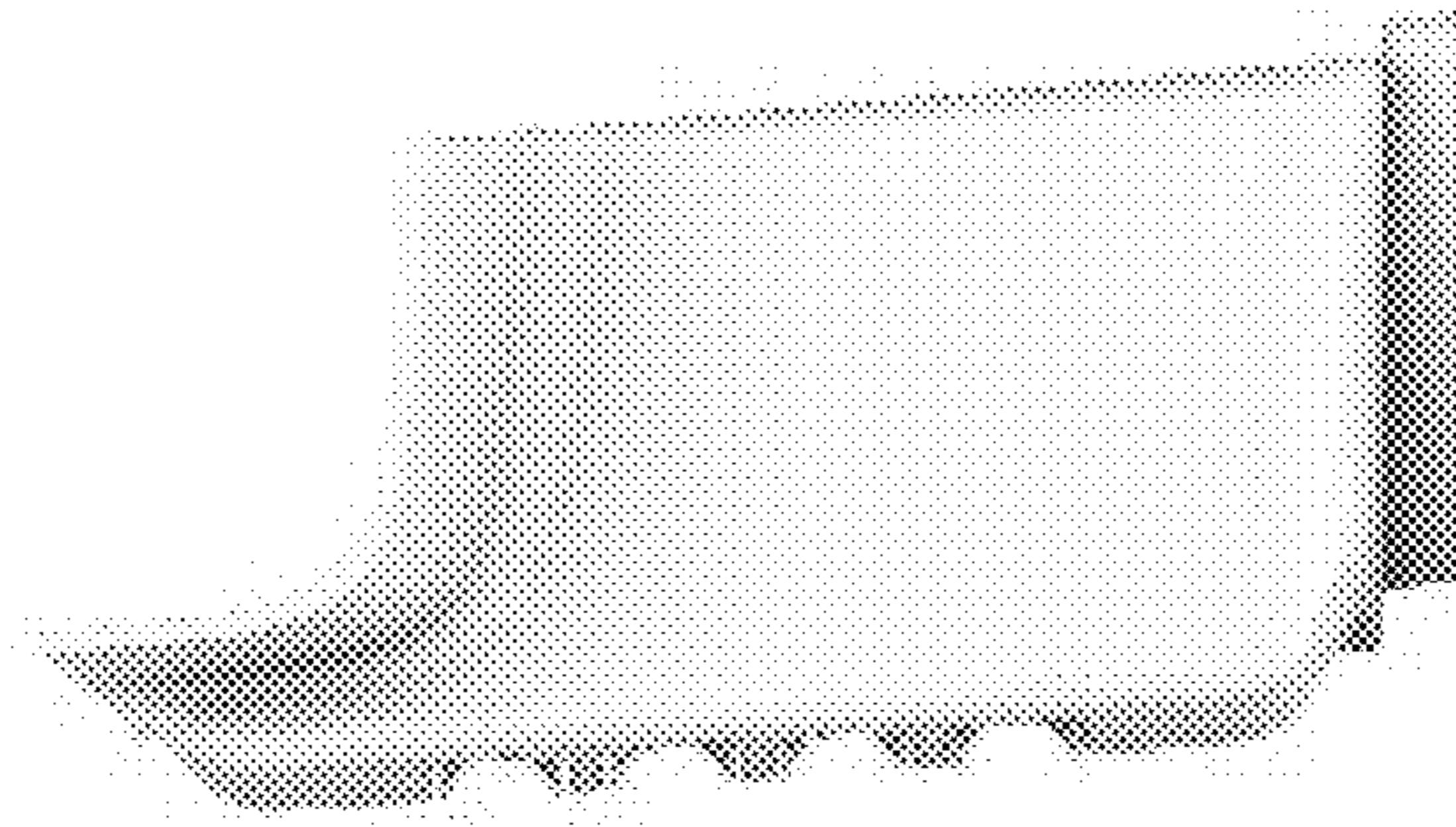


FIG.2

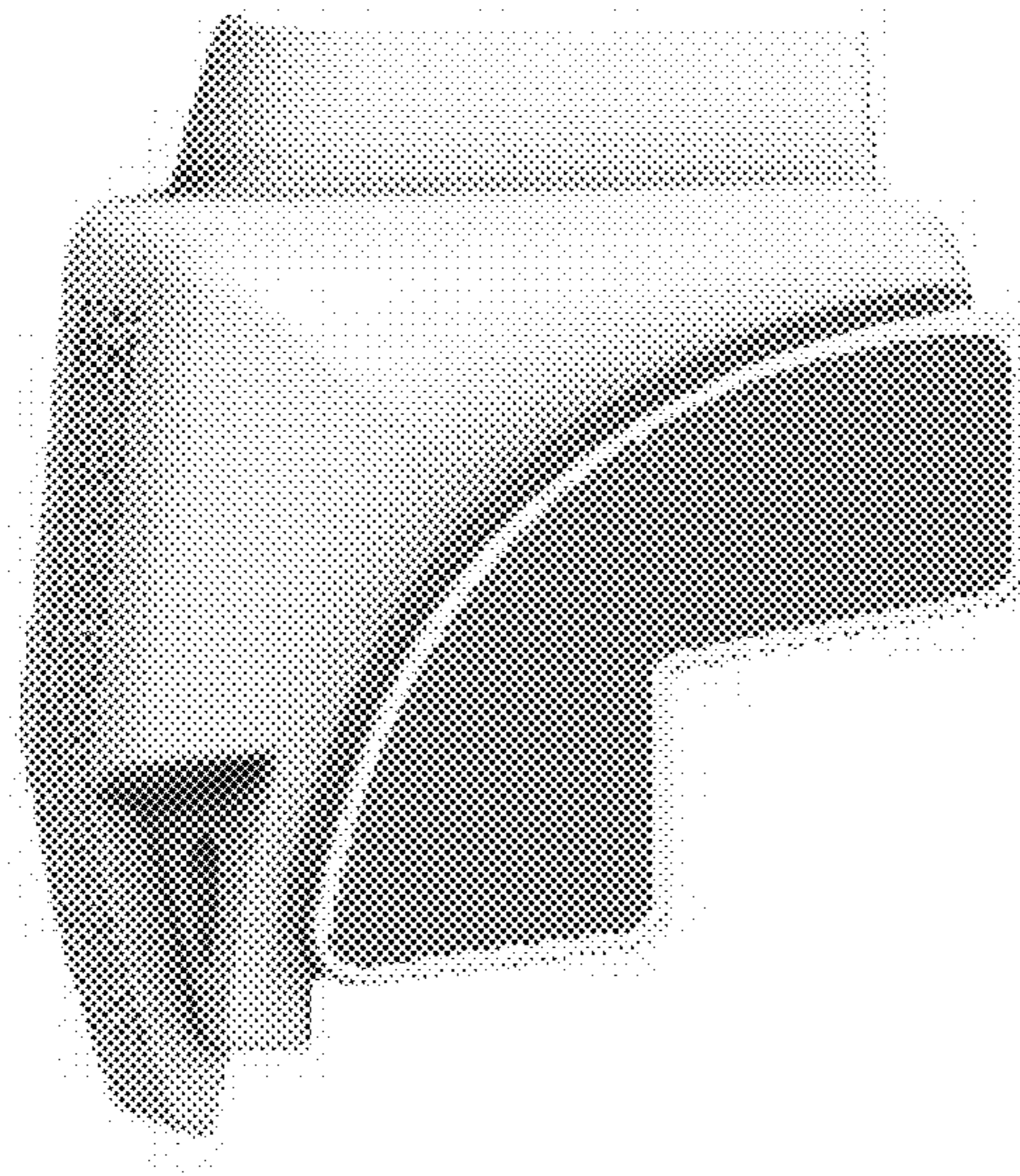


FIG.3

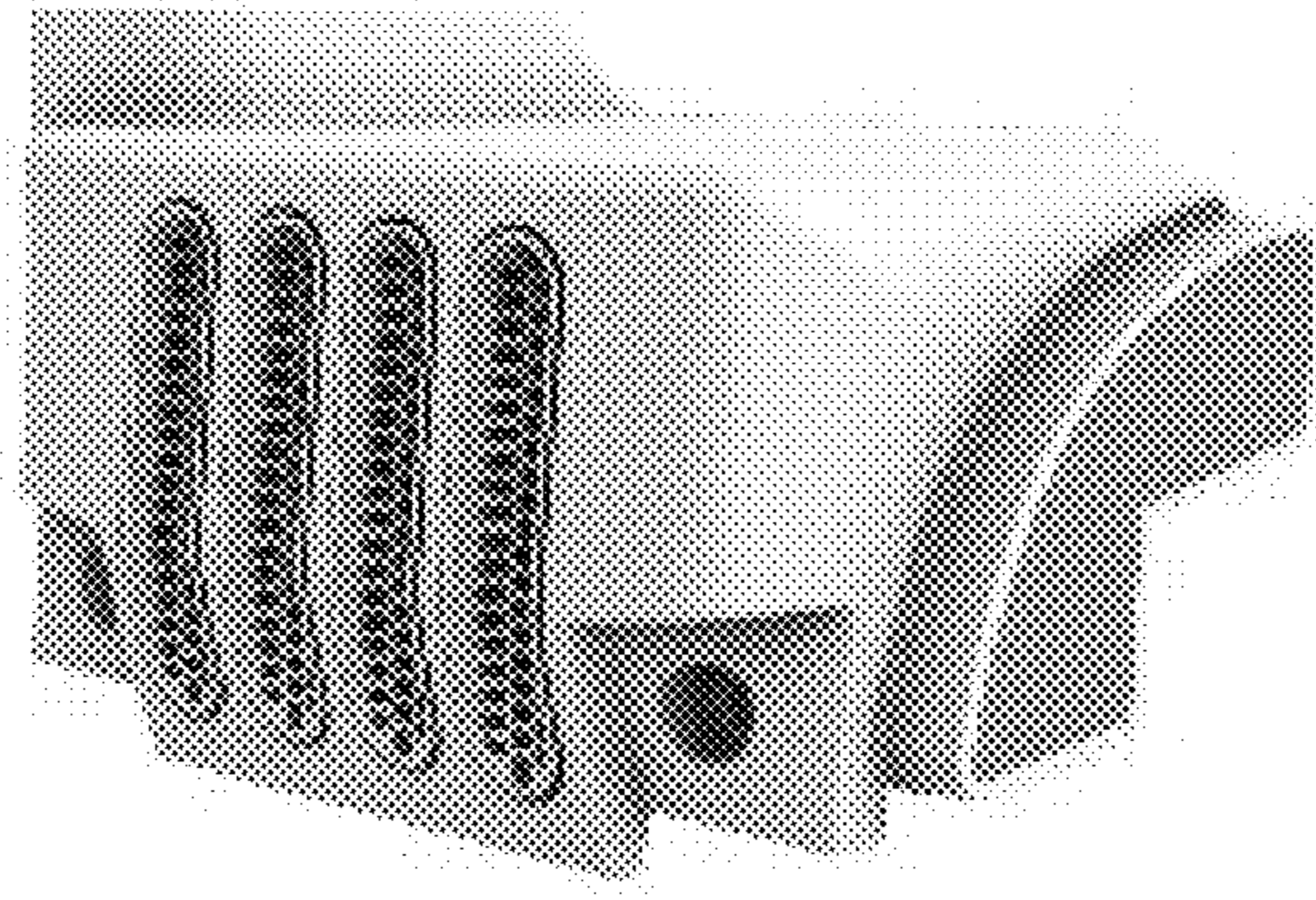


FIG.4

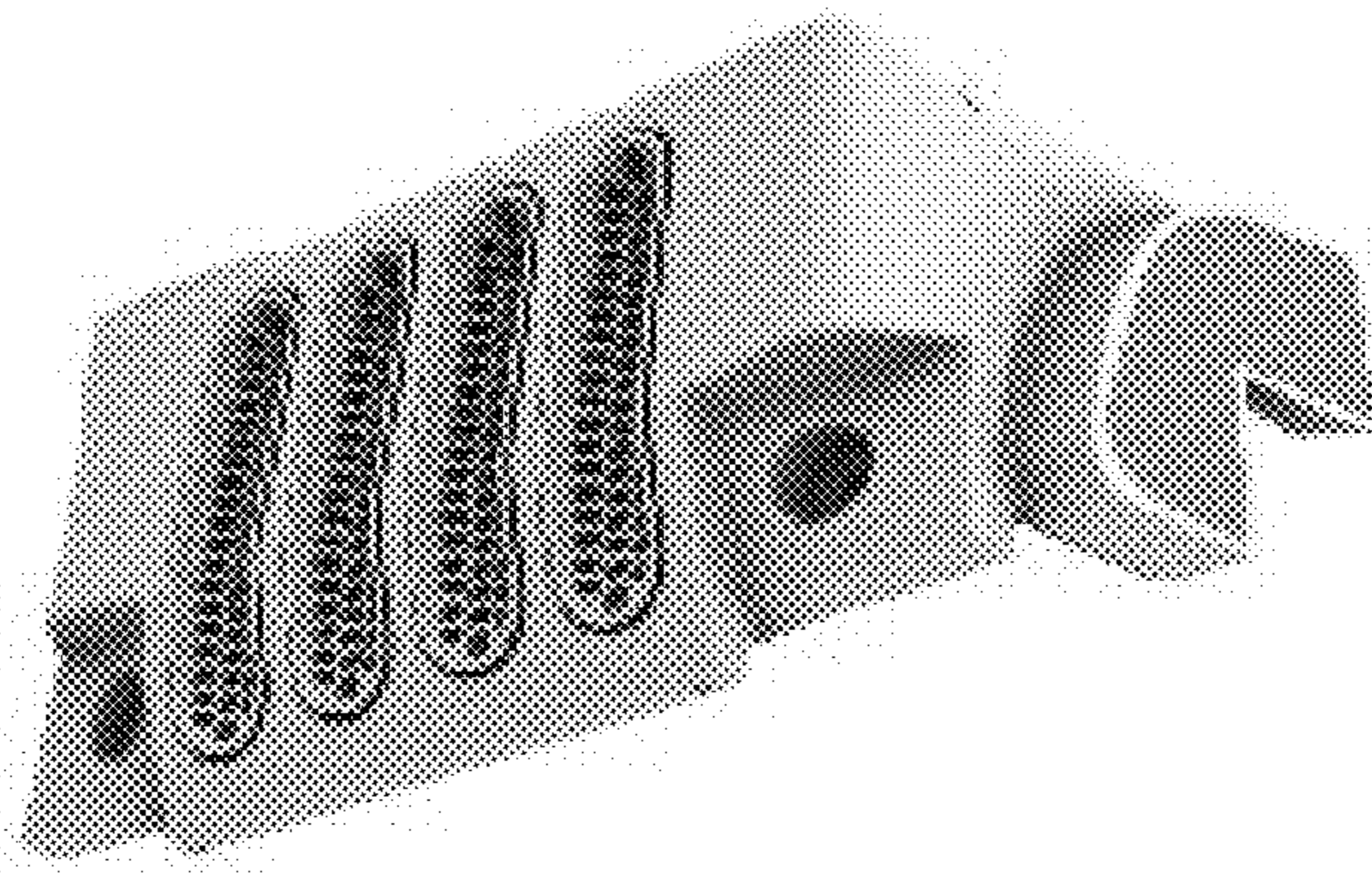


FIG.5

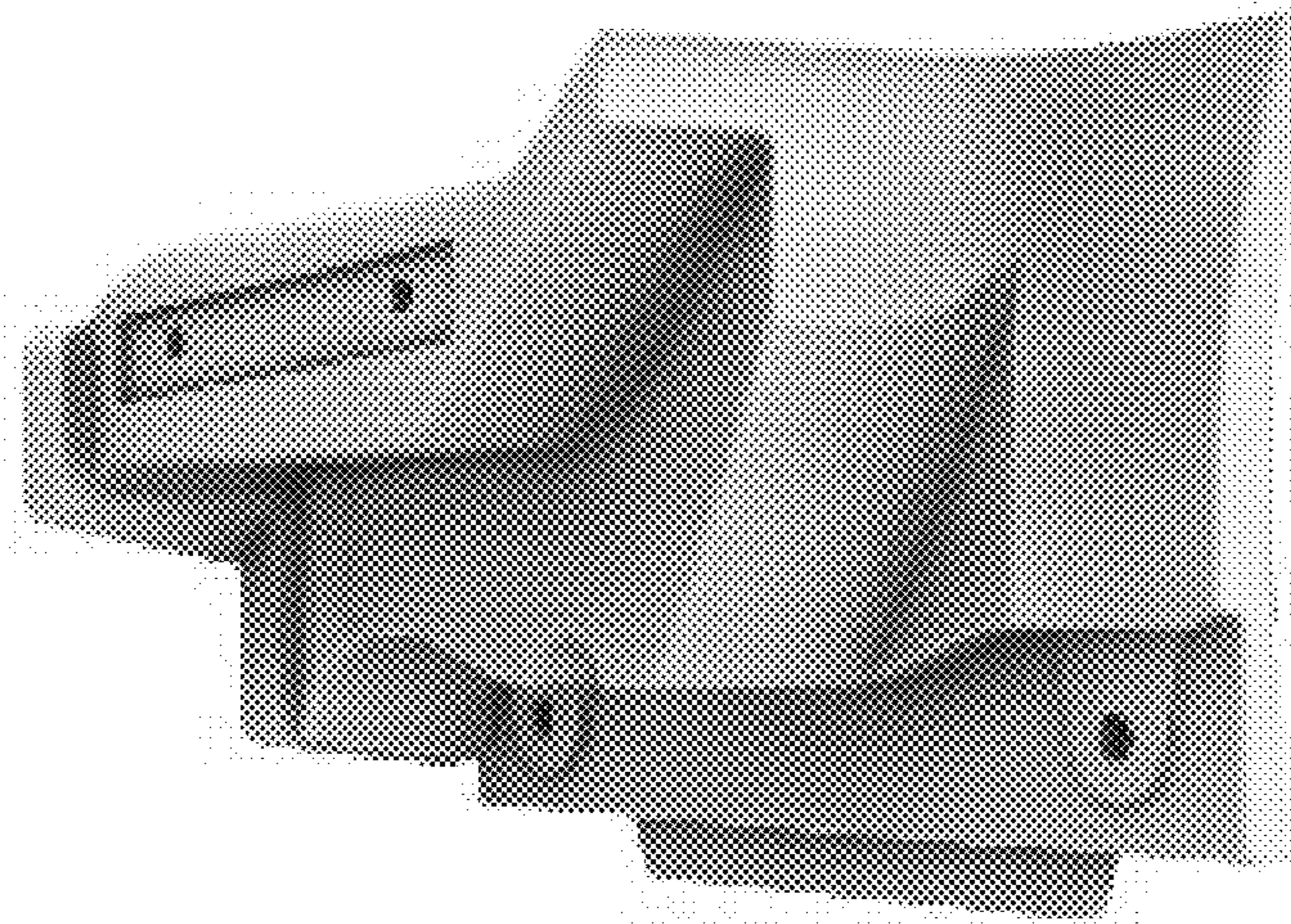


FIG.6



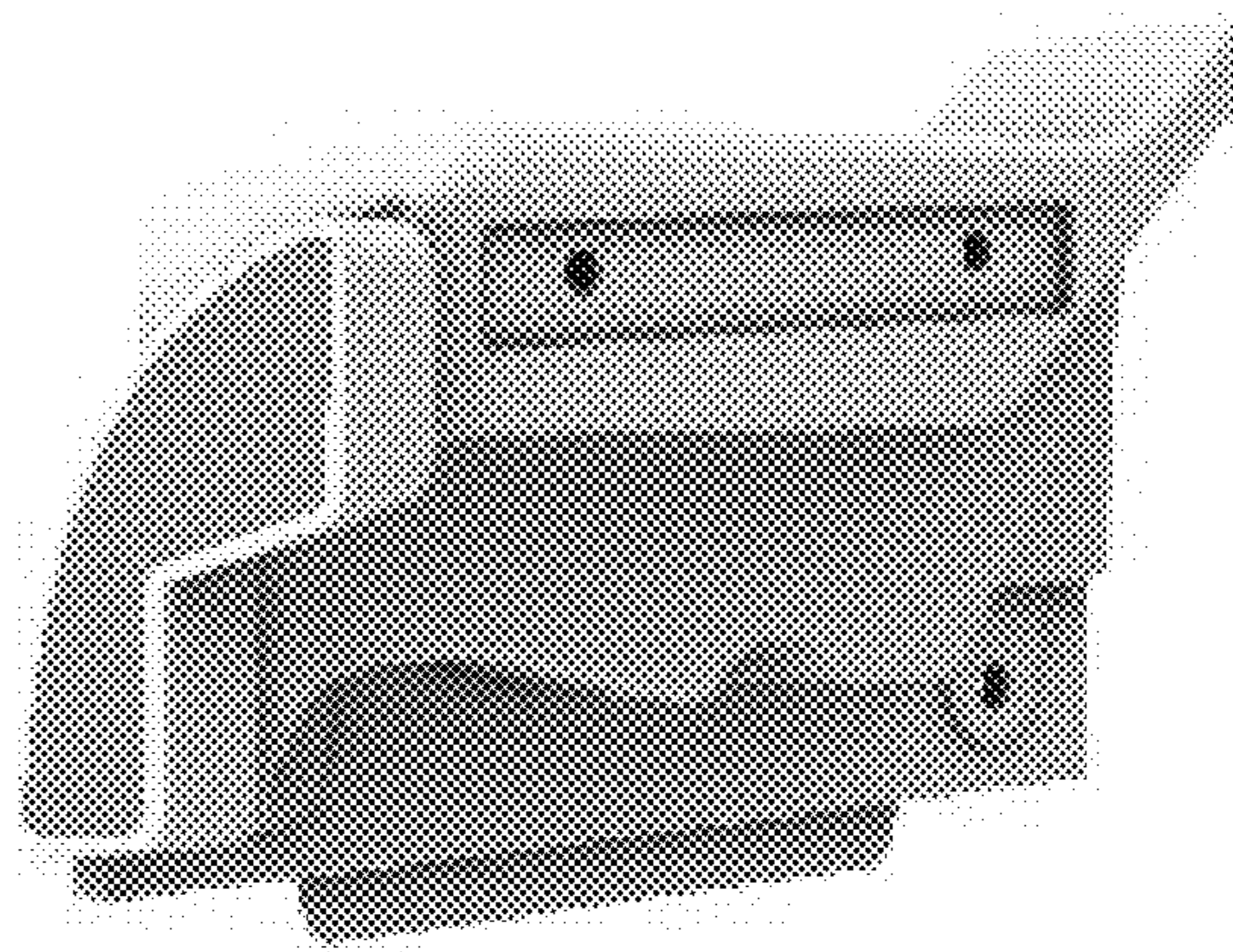


FIG.7