



US00D947079S

(12) **United States Design Patent**
Chen et al.

(10) **Patent No.:** **US D947,079 S**

(45) **Date of Patent:** **** Mar. 29, 2022**

(54) **MULTI-BALL MOUNT**

(71) Applicants: **Raymond Chen**, Taipei (TW);
Chuan-Tsai Tung, Chiayi (TW)

(72) Inventors: **Raymond Chen**, Taipei (TW);
Chuan-Tsai Tung, Chiayi (TW)

(**) Term: **15 Years**

(21) Appl. No.: **29/753,214**

(22) Filed: **Sep. 30, 2020**

(51) **LOC (13) Cl.** **12-16**

(52) **U.S. Cl.**
USPC **D12/162**

(58) **Field of Classification Search**
USPC D12/159-162
CPC . B60D 1/60; B60D 1/065; B60D 1/00; B60D
1/06; B60D 1/36; B62D 33/033
See application file for complete search history.

(56) **References Cited**

U.S. PATENT DOCUMENTS

D374,645 S *	10/1996	Hanson	D12/162
D687,353 S *	8/2013	Dunn	D12/162
D797,011 S *	9/2017	Madison	D12/162
D834,464 S *	11/2018	Cincunegui	D12/162
D841,526 S *	2/2019	Siegel	D12/162

D854,971 S *	7/2019	McCuskey	D12/162
D856,199 S *	8/2019	Siegel	B60R 9/06 D12/162
D880,376 S *	4/2020	Goodner	D12/162
D894,800 S *	9/2020	Noel	D12/162
D907,537 S *	1/2021	Goodner	D12/162
D918,787 S *	5/2021	Cotter	D12/162
D929,912 S *	9/2021	Lu	D12/162
2005/0104327 A1 *	5/2005	Irgens	B60D 1/60 280/511

* cited by examiner

Primary Examiner — Katrina A Betton

(74) *Attorney, Agent, or Firm* — Lin & Associates
Intellectual Property, Inc.

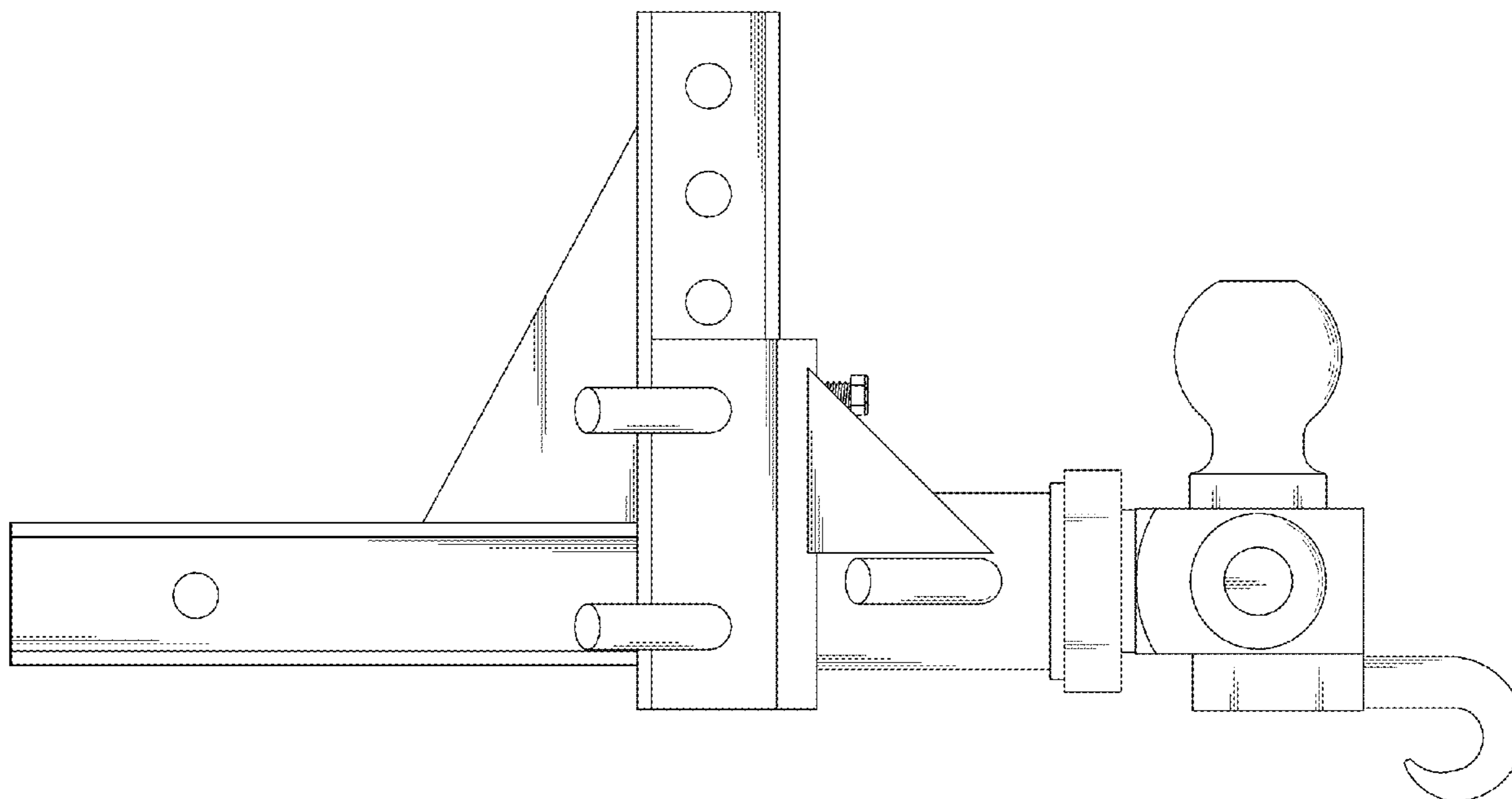
(57) **CLAIM**

The ornamental design for a multi-ball mount, as shown and described.

DESCRIPTION

FIG. 1 is a perspective view of a multi-ball mount showing my new design;
FIG. 2 is a front elevational view thereof;
FIG. 3 is a rear elevational view thereof;
FIG. 4 is a left elevational view thereof;
FIG. 5 is a right elevational view thereof;
FIG. 6 is a top view thereof; and,
FIG. 7 is a bottom view thereof.

1 Claim, 7 Drawing Sheets



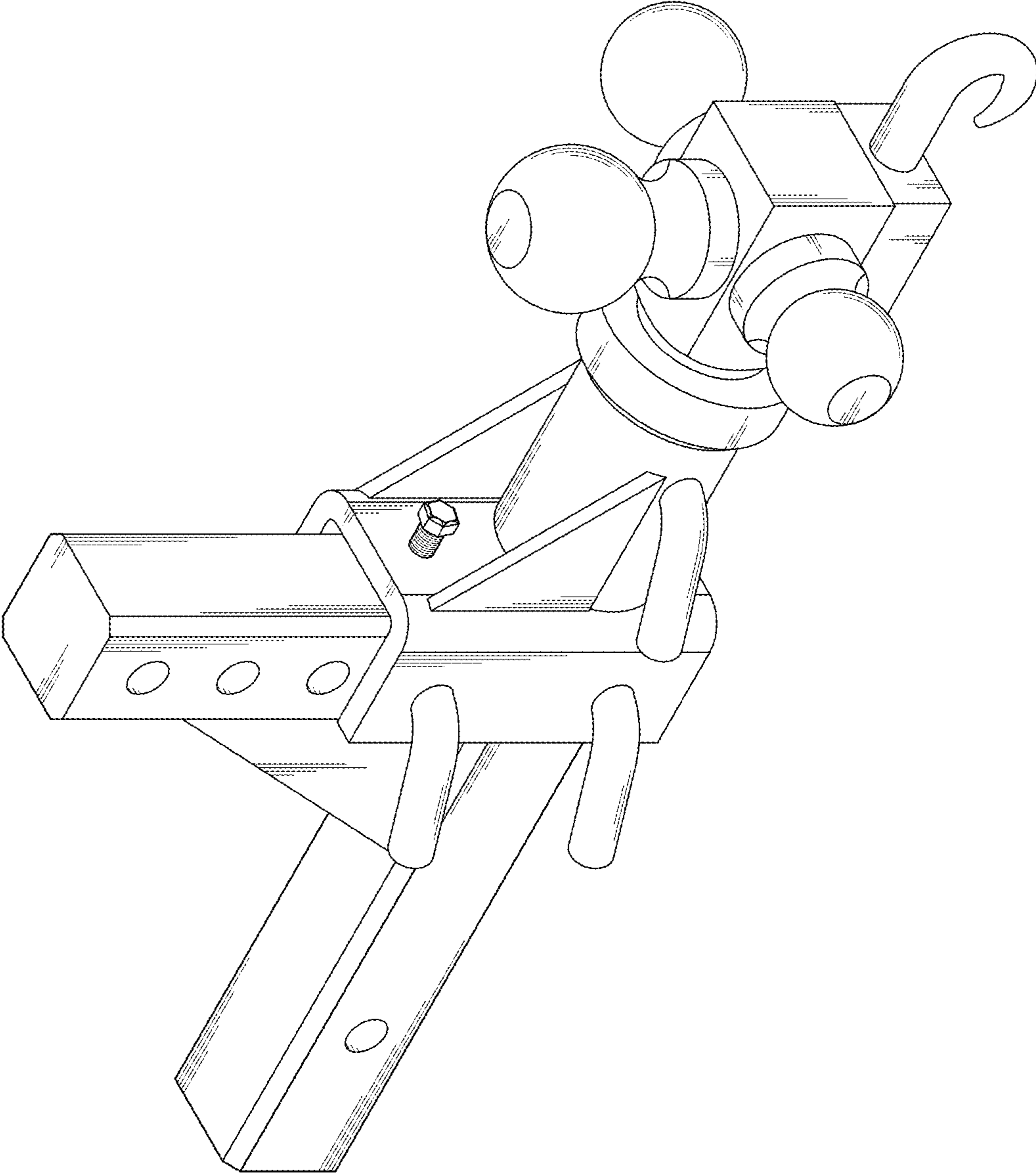


FIG. 1

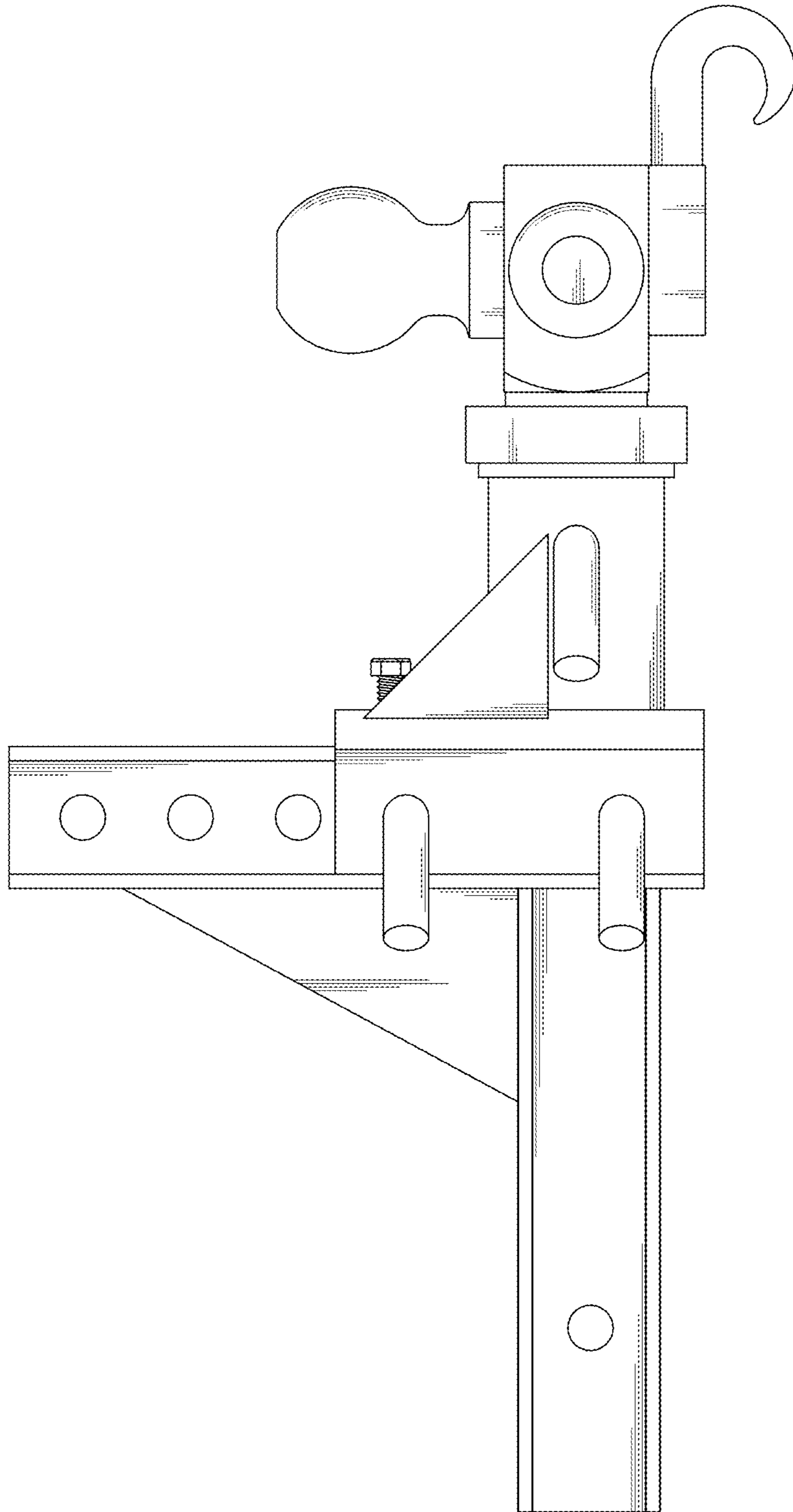


FIG. 2

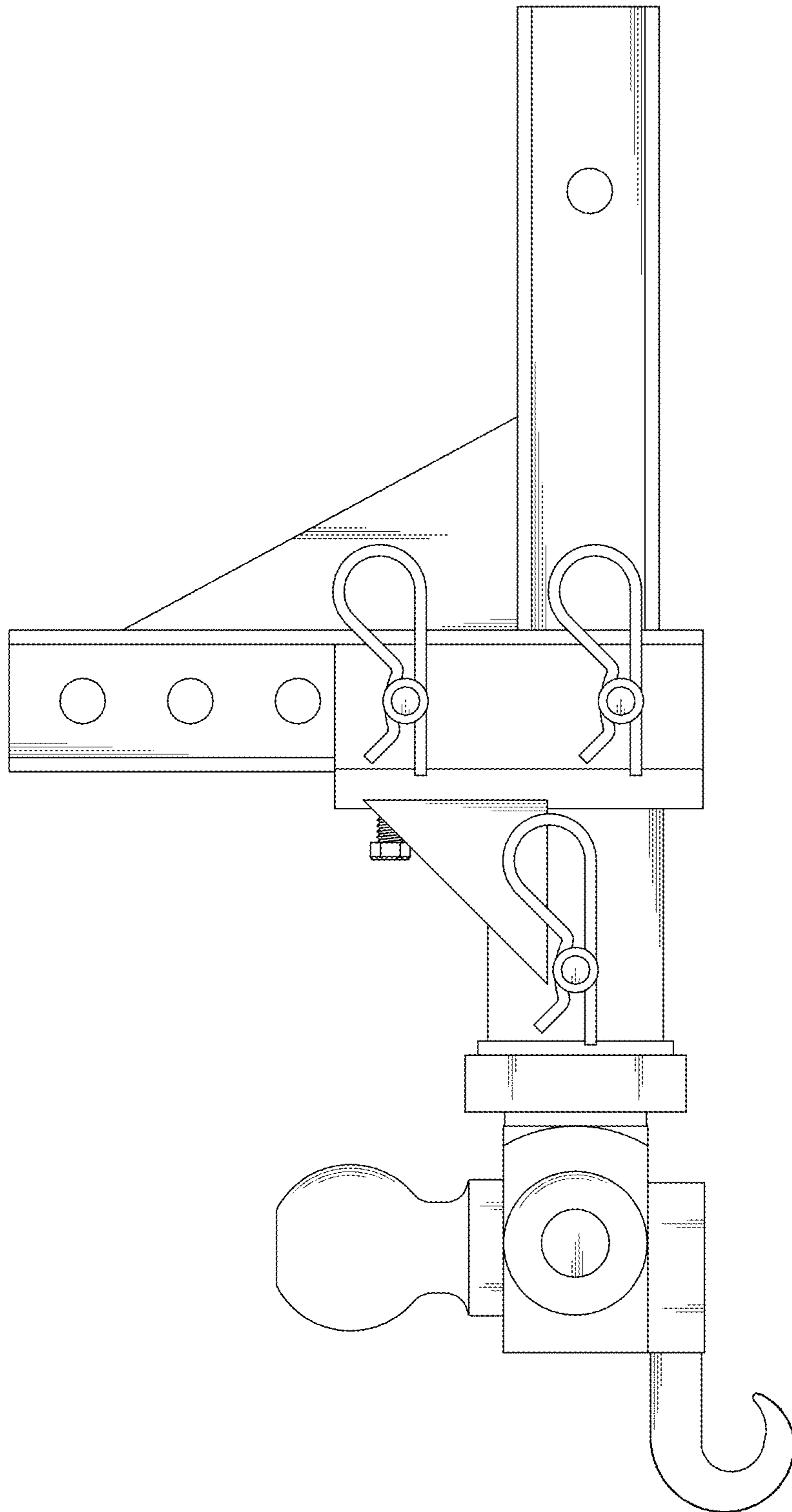


FIG. 3

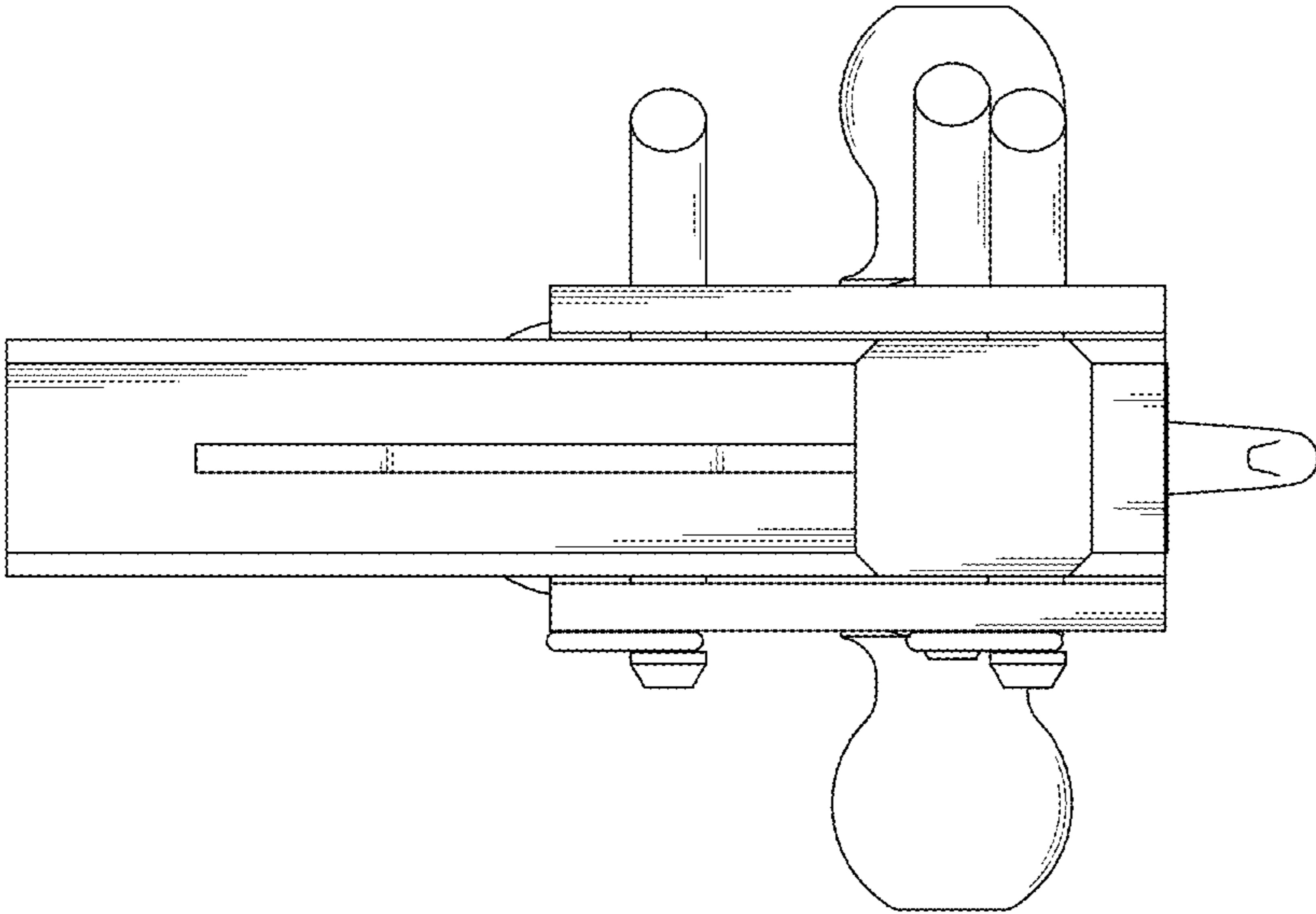


FIG. 4

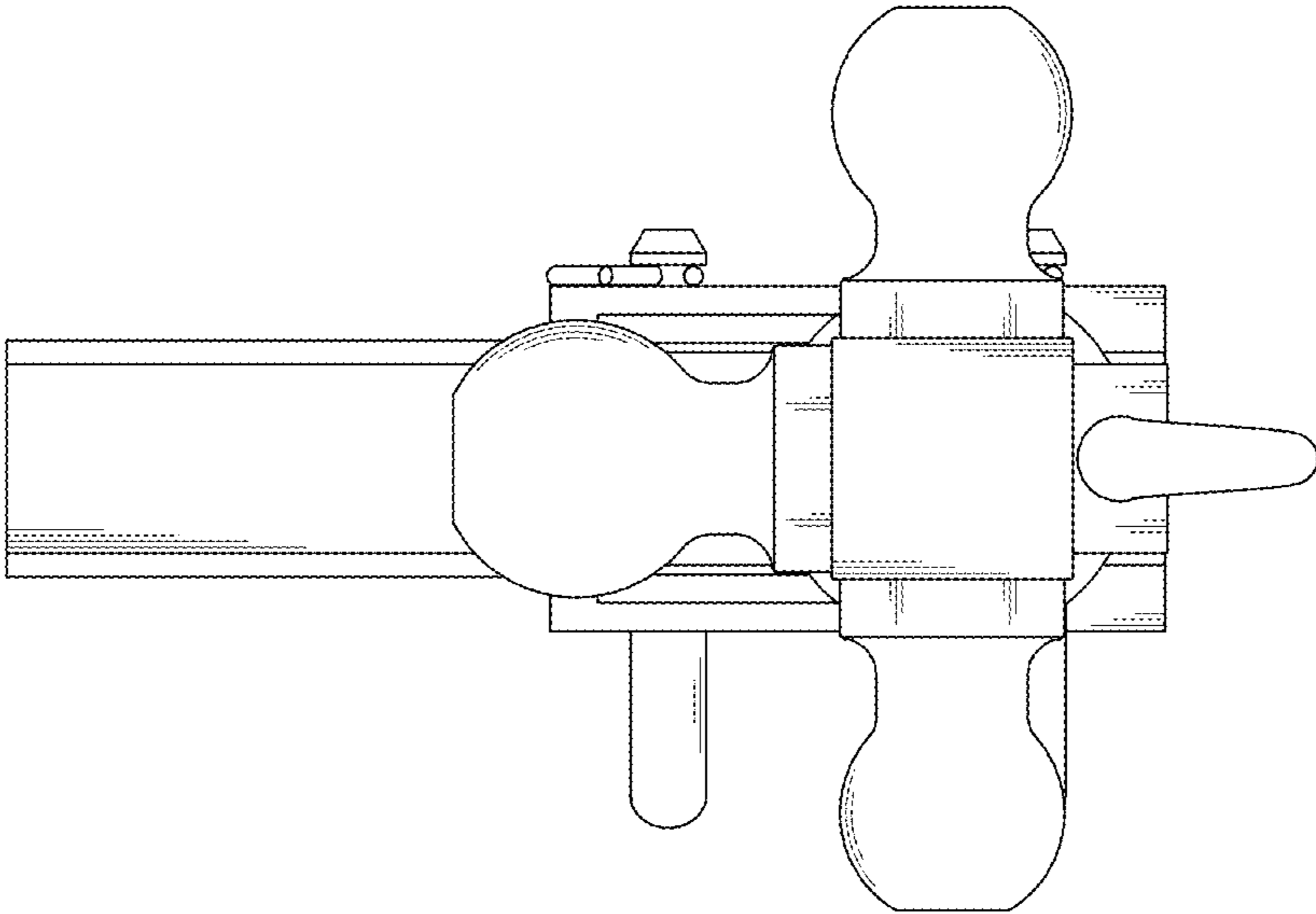


FIG. 5

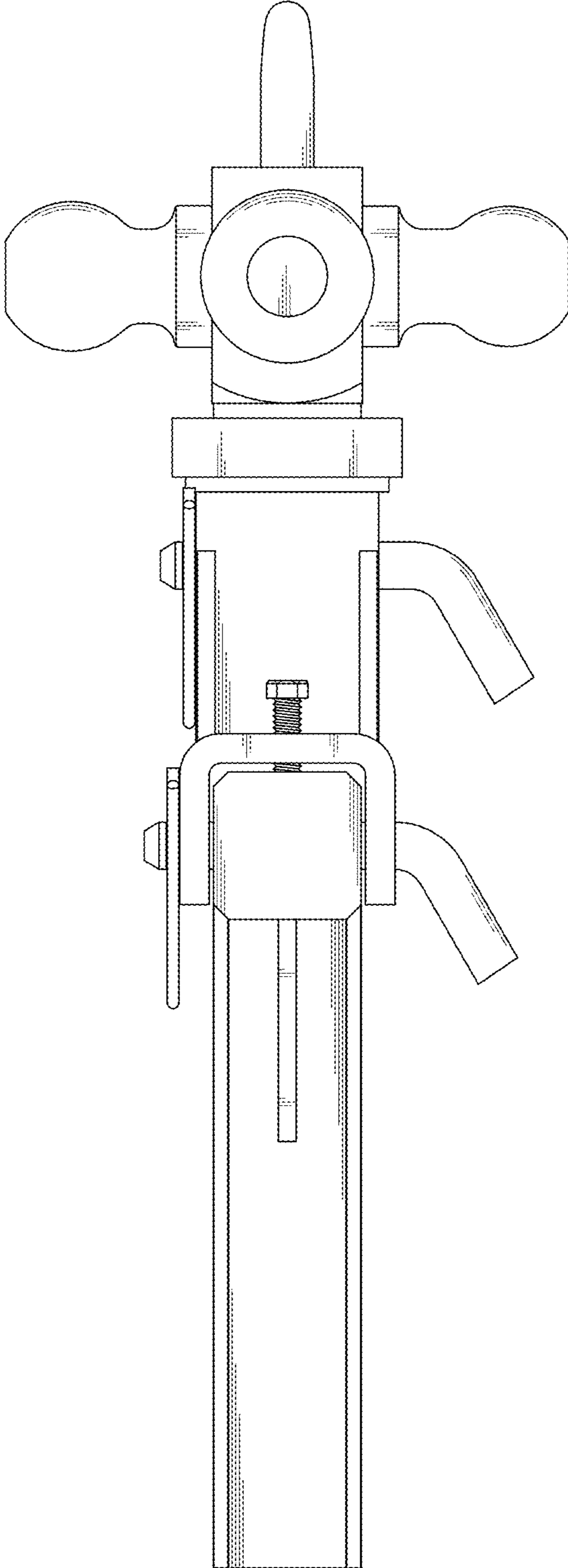


FIG. 6

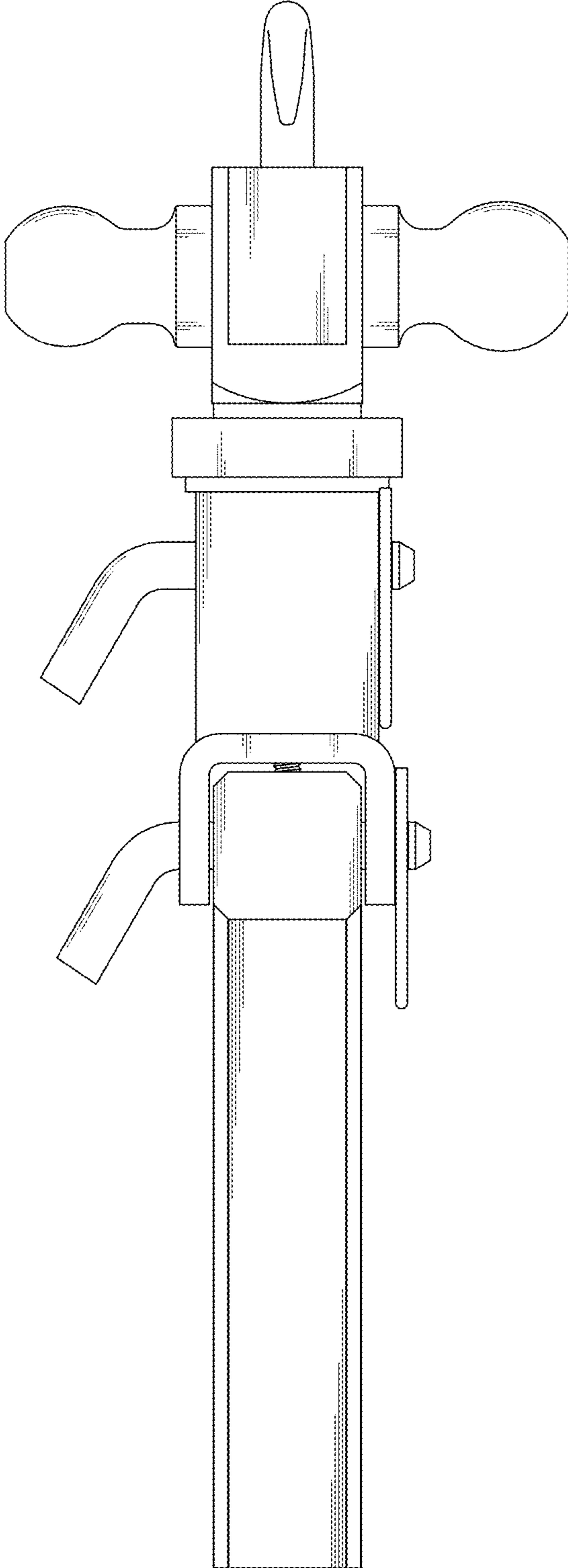


FIG. 7