



US00D947078S

(12) **United States Design Patent**
Wang

(10) **Patent No.:** **US D947,078 S**
(45) **Date of Patent:** **** Mar. 29, 2022**

(54) **POWER WHEELCHAIR**
(71) Applicant: **Nanjing Jin Bai He Medical Apparatus Co., Ltd.**, Nanjing (CN)
(72) Inventor: **Zhaowei Wang**, Nanjing (CN)
(73) Assignee: **Nanjing Jin Bai He Medical Apparatus Co., Ltd.**, Nanjing (CN)

(**) Term: **15 Years**
(21) Appl. No.: **29/708,060**

(22) Filed: **Oct. 2, 2019**
(51) **LOC (13) Cl.** **12-12**
(52) **U.S. Cl.**
USPC **D12/131**
(58) **Field of Classification Search**
USPC D12/128-133
CPC A61G 5/04; A61G 5/041-047; A61G
2005/048
See application file for complete search history.

(56) **References Cited**
U.S. PATENT DOCUMENTS
D443,563 S * 6/2001 Johnson D12/131
D585,794 S * 2/2009 Lin D12/131

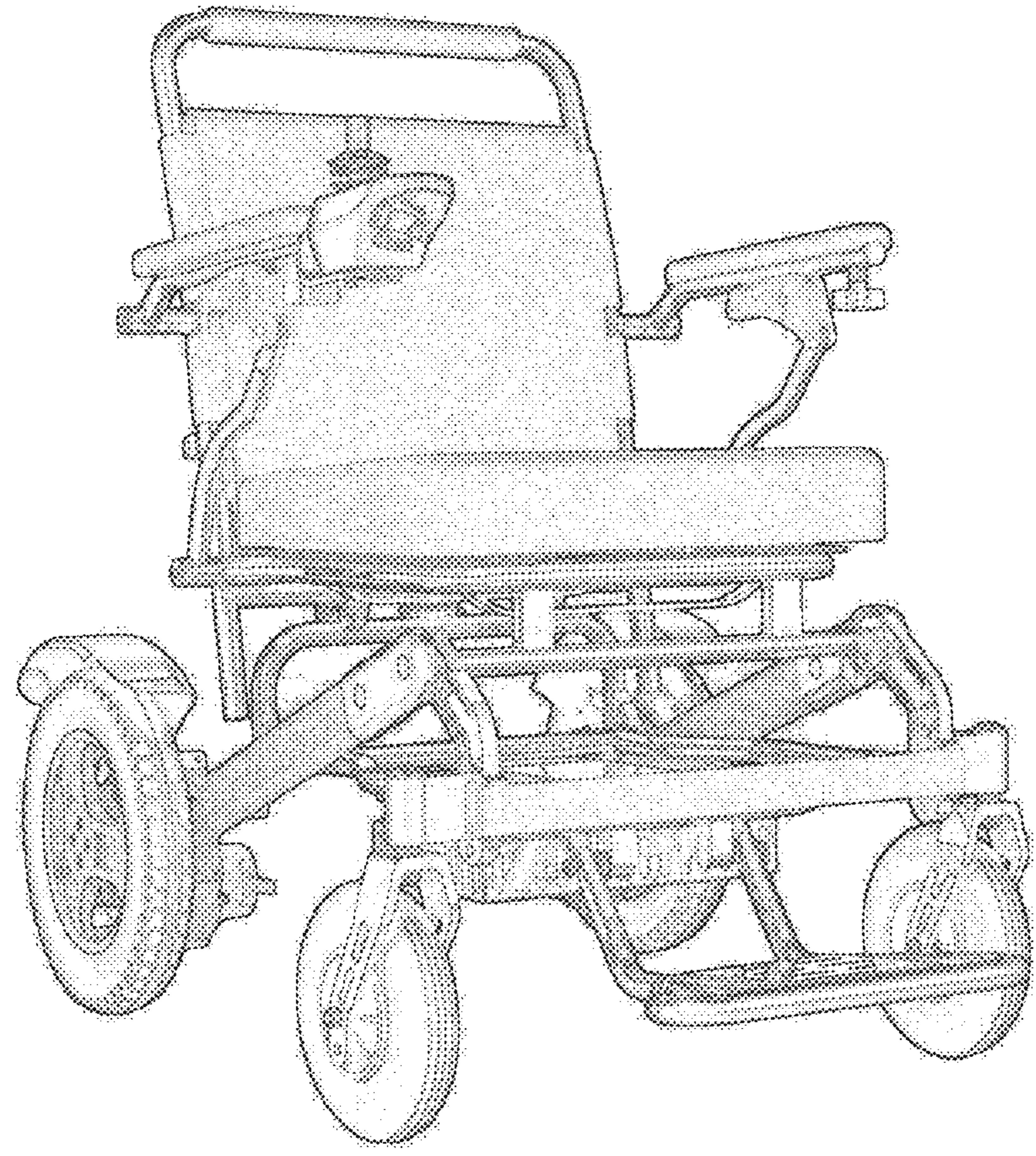
D621,307 S * 8/2010 Kagi D12/131
D627,270 S * 11/2010 Kretschmer D12/131
D653,176 S * 1/2012 Jurkiewicz D12/131
D745,441 S * 12/2015 Ohruh D12/131
D871,272 S * 12/2019 Cheng D12/131
D872,658 S * 1/2020 Zhang D12/131
D905,600 S * 12/2020 Codet D12/131
D926,087 S * 7/2021 Tsukamoto D12/131

* cited by examiner
Primary Examiner — Charles D Hanson
(74) *Attorney, Agent, or Firm* — CBM Patent Consulting, LLC

(57) **CLAIM**
The ornamental design for a power wheelchair, as shown and described.

DESCRIPTION
FIG. 1 is a top view of a power wheelchair showing my new design;
FIG. 2 is a bottom view thereof;
FIG. 3 is a front view thereof;
FIG. 4 is a rear view thereof;
FIG. 5 is a left view thereof;
FIG. 6 is a right view thereof; and,
FIG. 7 is a perspective view thereof.

1 Claim, 7 Drawing Sheets



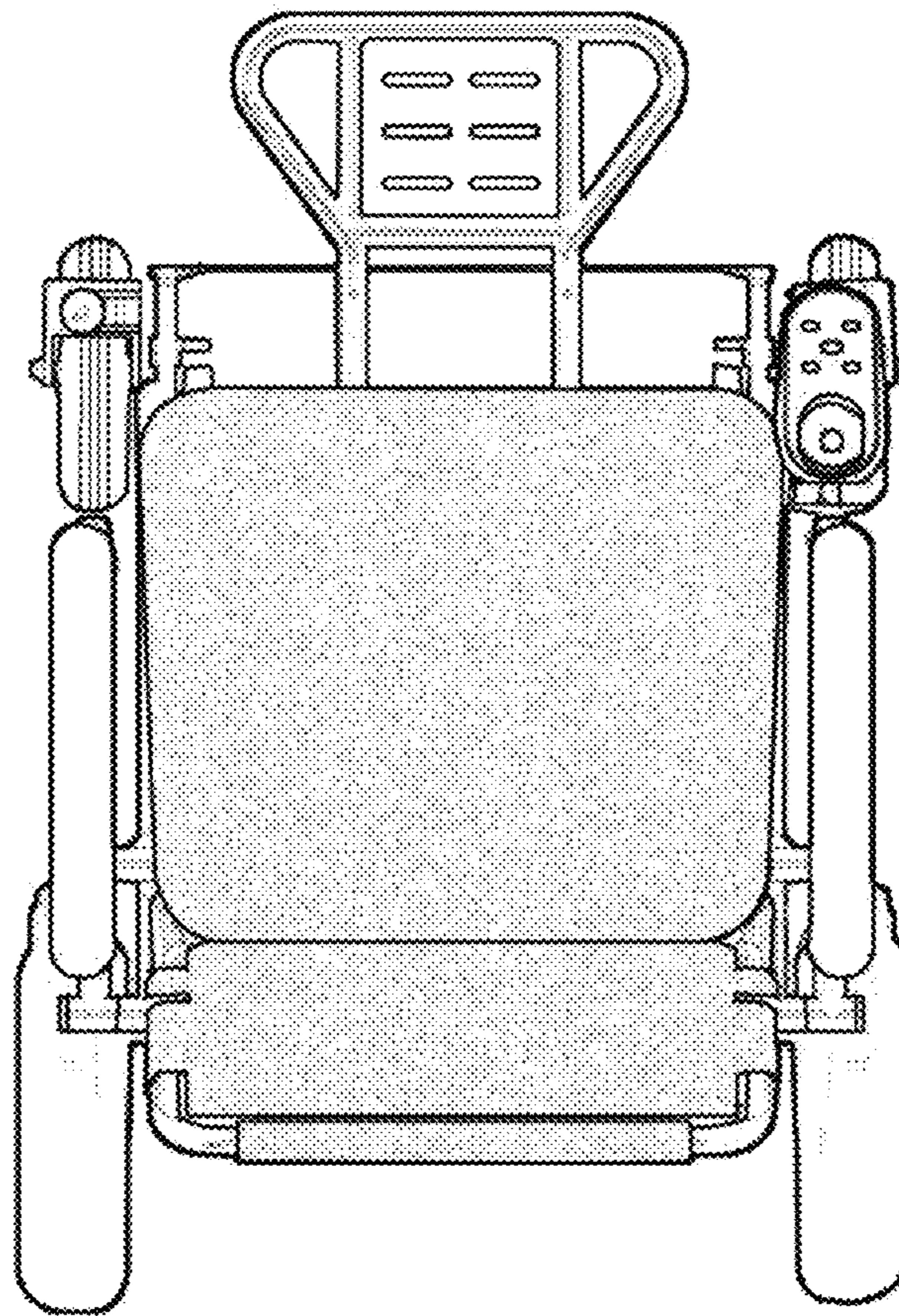


FIG. 1

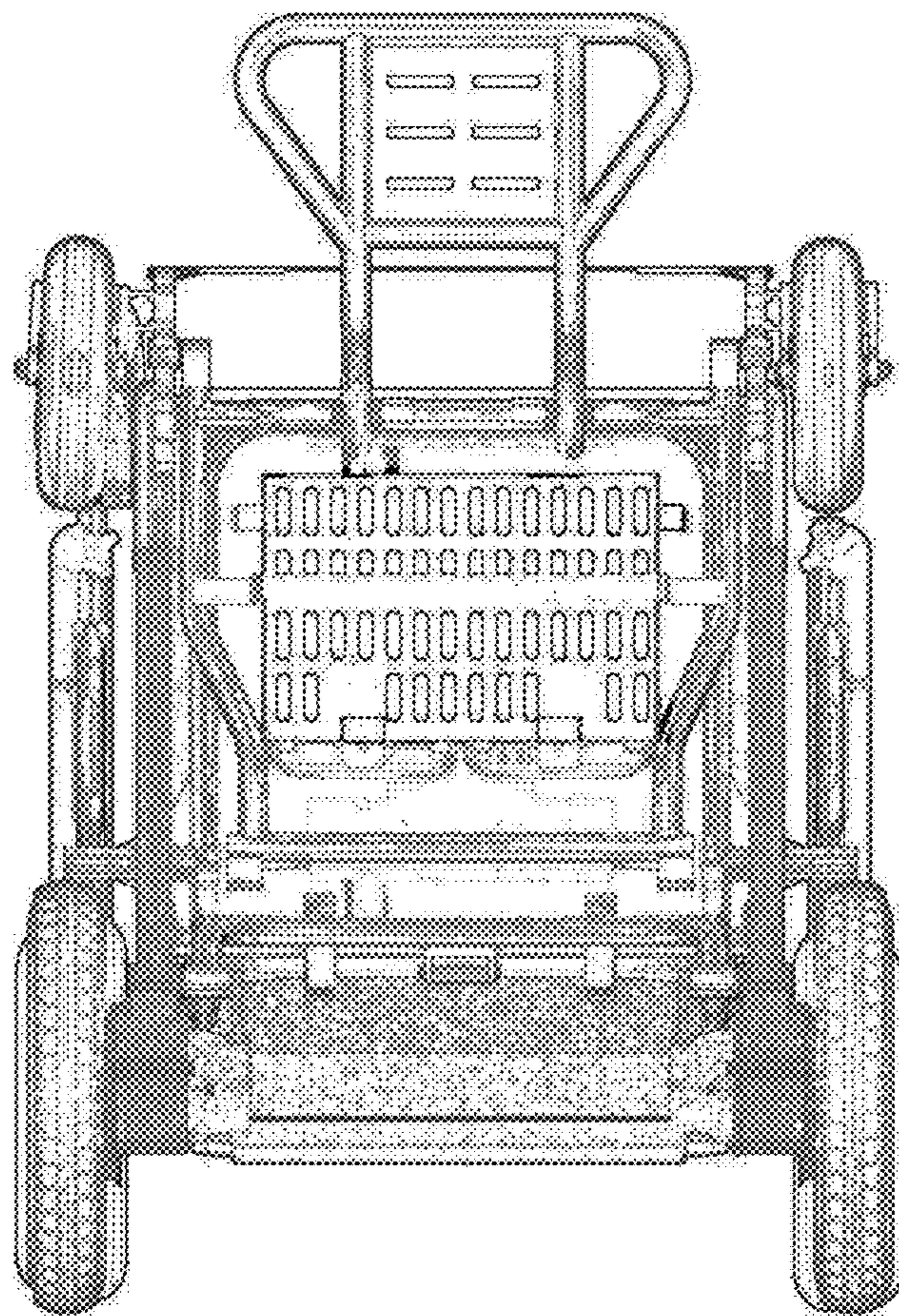


FIG. 2

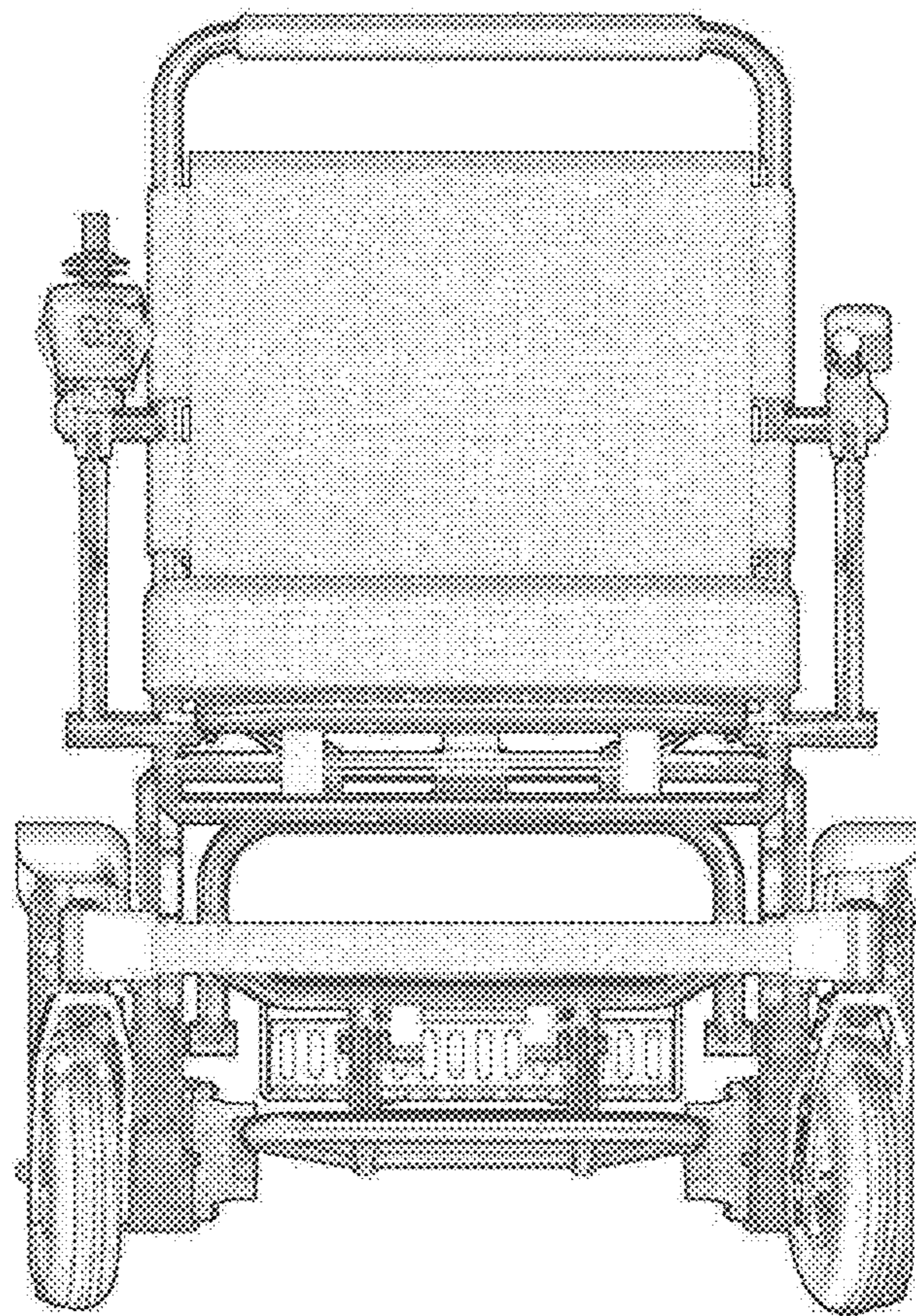


FIG. 3

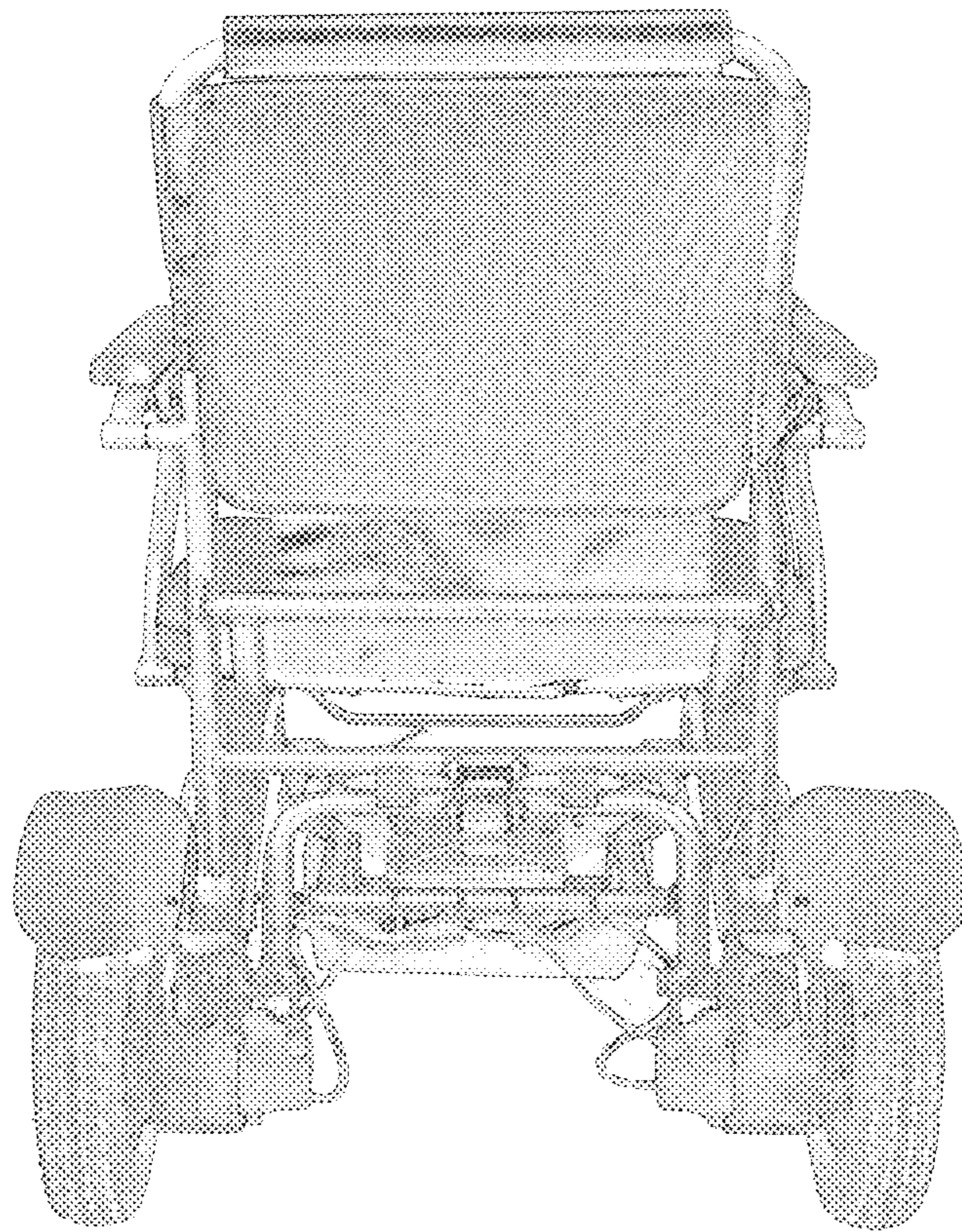


FIG. 4

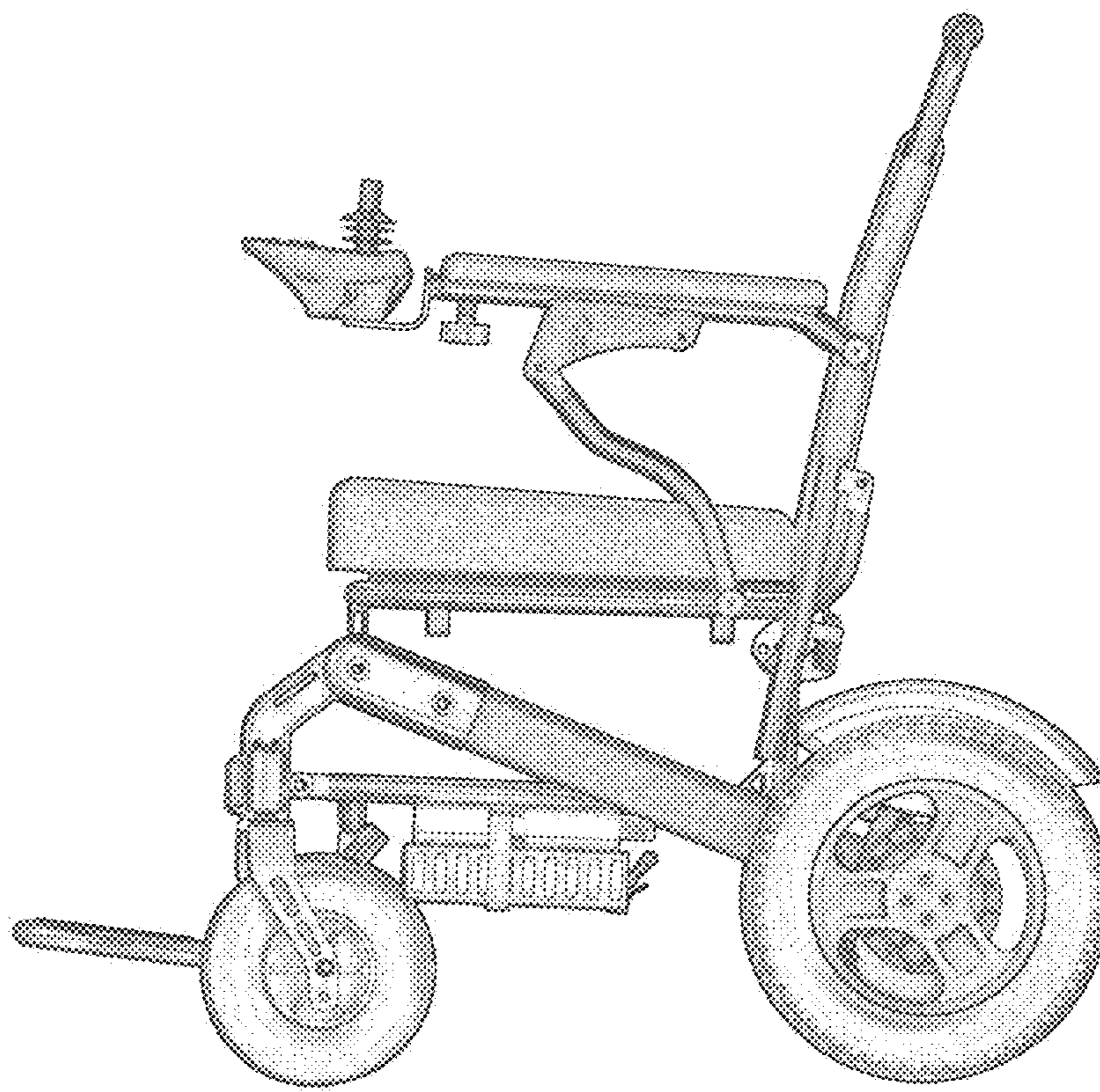


FIG. 5

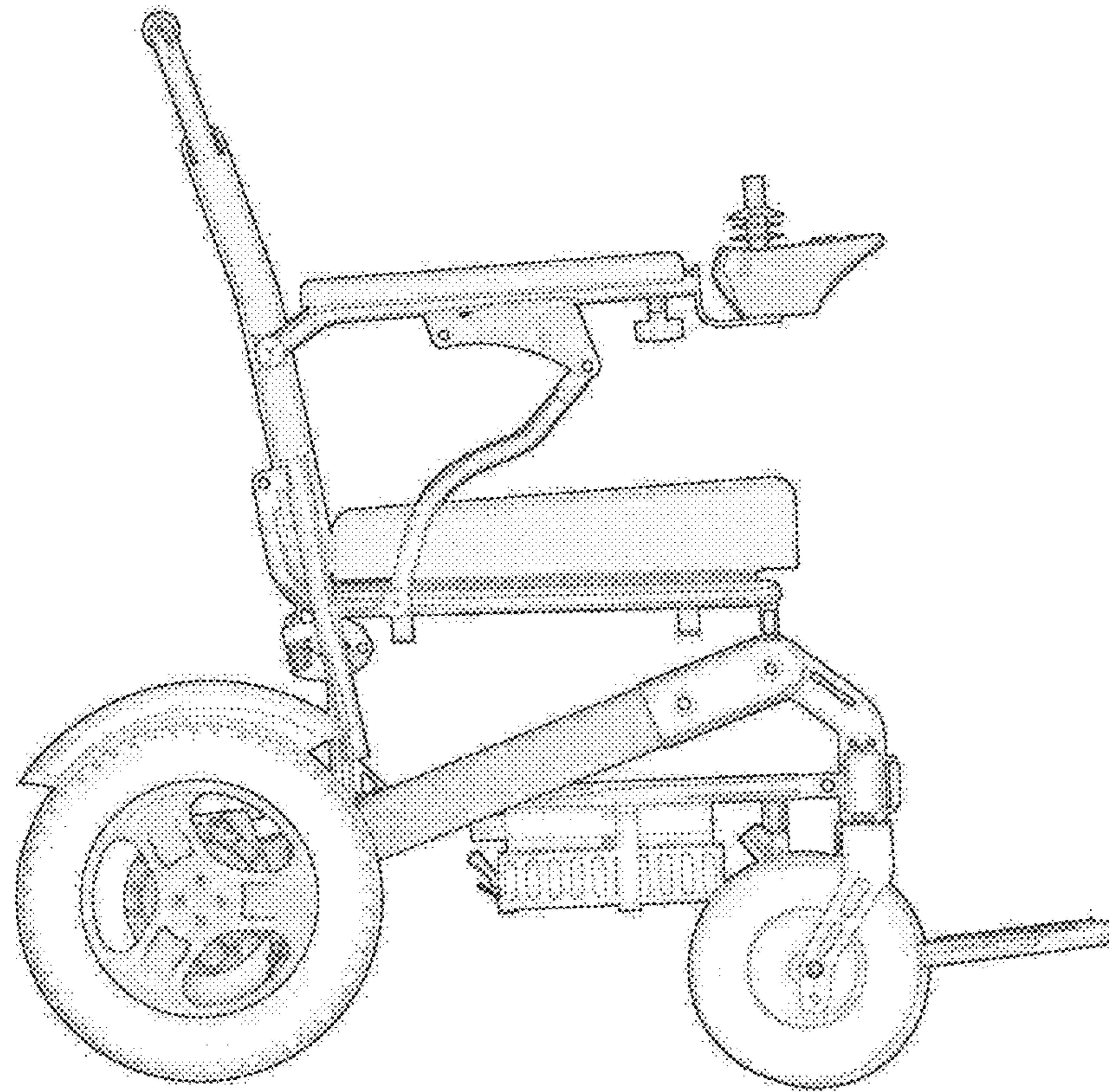


FIG. 6

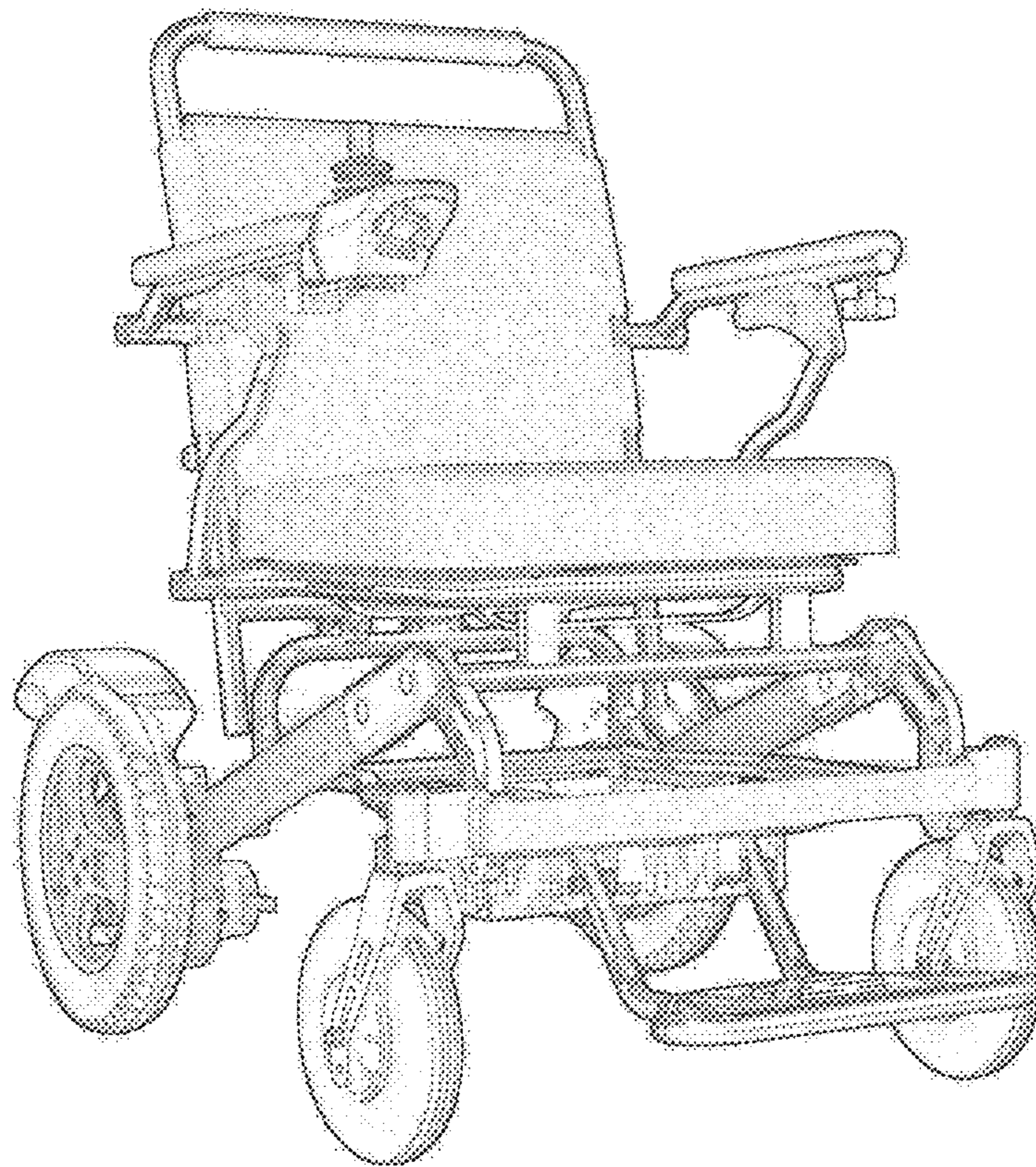


FIG. 7