



US00D947075S

(12) **United States Design Patent**
Dai

(10) **Patent No.:** **US D947,075 S**
(45) **Date of Patent:** **** Mar. 29, 2022**

- (54) **BALANCE PUSH BAR**
- (71) Applicant: **Bin Dai**, Jiaxing (CN)
- (72) Inventor: **Bin Dai**, Jiaxing (CN)
- (**) Term: **15 Years**
- (21) Appl. No.: **29/739,662**
- (22) Filed: **Jun. 28, 2020**
- (51) **LOC (13) Cl.** **12-11**
- (52) **U.S. Cl.**
USPC **D12/114**
- (58) **Field of Classification Search**
USPC D12/114, 111, 112, 115, 119, 129
CPC B62H 7/00; B62J 1/16; B62J 7/04; B62J
9/001
See application file for complete search history.

(56) **References Cited**

U.S. PATENT DOCUMENTS

- D215,991 S * 11/1969 Faulhaber D12/119
- D222,214 S * 10/1971 Worley D12/119
- 5,154,096 A * 10/1992 Geller B62H 7/00
280/273
- 5,217,240 A * 6/1993 Gardenhour, Jr. A63H 33/00
280/282
- 5,306,030 A * 4/1994 Becka B62H 7/00
280/282
- D355,870 S * 2/1995 Dieudonne D12/112
- 5,407,222 A * 4/1995 Harrison B62H 7/00
280/293
- 5,487,554 A * 1/1996 May B62H 7/00
224/422
- D367,832 S * 3/1996 Melita D12/114
- 5,564,726 A * 10/1996 Hearn B62H 7/00
248/231.61
- D377,634 S * 1/1997 DeLeo D12/114
- D384,602 S * 10/1997 Anderberg D12/114
- 5,791,675 A * 8/1998 Fleischer B62H 7/00
280/293

- 5,924,713 A * 7/1999 Li B62K 9/02
280/270
- 5,988,663 A * 11/1999 Starks B62H 7/00
280/293
- D422,947 S * 4/2000 Brathwaite D12/114
- D462,302 S * 9/2002 Francis D12/114
- 6,474,670 B2 * 11/2002 Shaw B62H 1/10
16/426
- 6,688,630 B1 * 2/2004 Kayne B62H 7/00
280/288.4
- 6,712,376 B2 * 3/2004 Eberhardt B62H 7/00
280/288.4
- D582,488 S * 12/2008 Badanjo D21/435
(Continued)

OTHER PUBLICATIONS

Moshay Children Bike Safety Trainer Handle Balance Push Bar; Jun. 17, 2020; <https://www.amazon.com/MOSHAY-Children-Safety-Trainer-Balance/dp/B089LXZS62>; 5pgs (Year: 2020).*

Primary Examiner — Michelle E. Wilson
Assistant Examiner — Clese Moore, Jr.

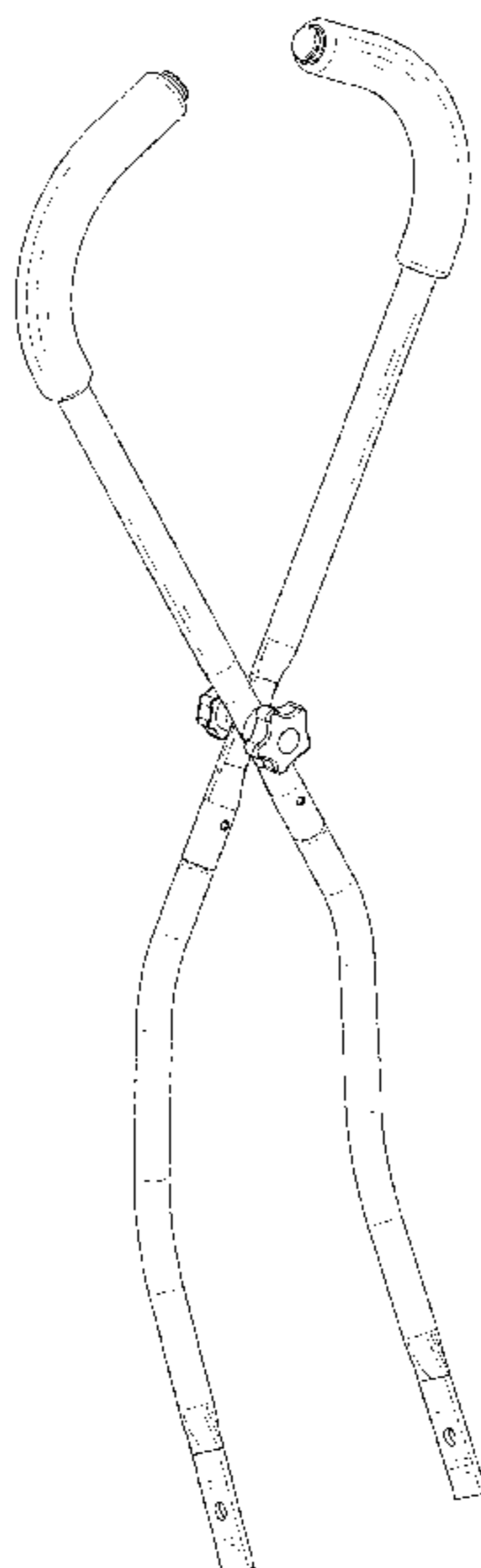
(57) **CLAIM**

The ornamental design for a balance push bar, as shown and described.

DESCRIPTION

FIG. 1 is a perspective view of a balance push bar showing my new design;
FIG. 2 is another perspective view thereof;
FIG. 3 is a front elevational view thereof;
FIG. 4 is a rear elevational view thereof;
FIG. 5 is a left side elevational view thereof;
FIG. 6 is a right side elevational view thereof;
FIG. 7 is a top plan view thereof; and,
FIG. 8 is a bottom plan view thereof.
The broken lines in the drawings depict portions of the balance push bar that form no part of the claimed design.

1 Claim, 8 Drawing Sheets



(56)

References Cited

U.S. PATENT DOCUMENTS

7,540,519	B1 *	6/2009	Coyle	B62H 7/00 280/288.4
8,382,139	B2 *	2/2013	Schexnayder	B62H 7/00 280/293
D735,090	S *	7/2015	Baron	D12/113
D874,347	S *	2/2020	Faust	D12/114
2015/0101149	A1 *	4/2015	Boger	B62H 7/00 16/429

* cited by examiner

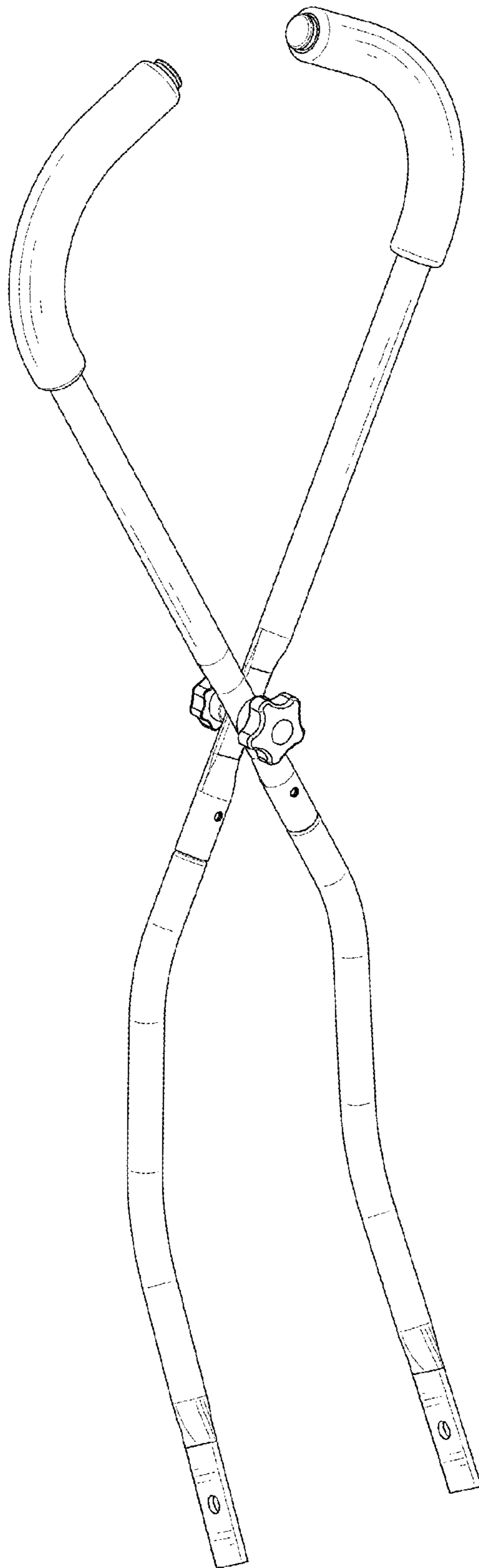


FIG. 1

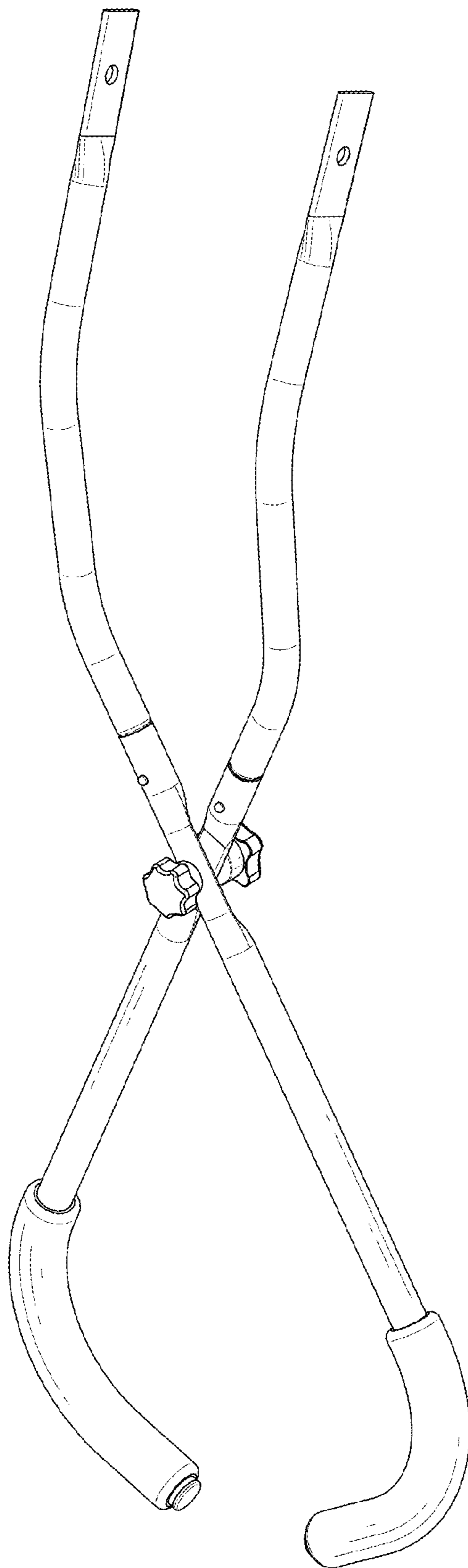


FIG. 2

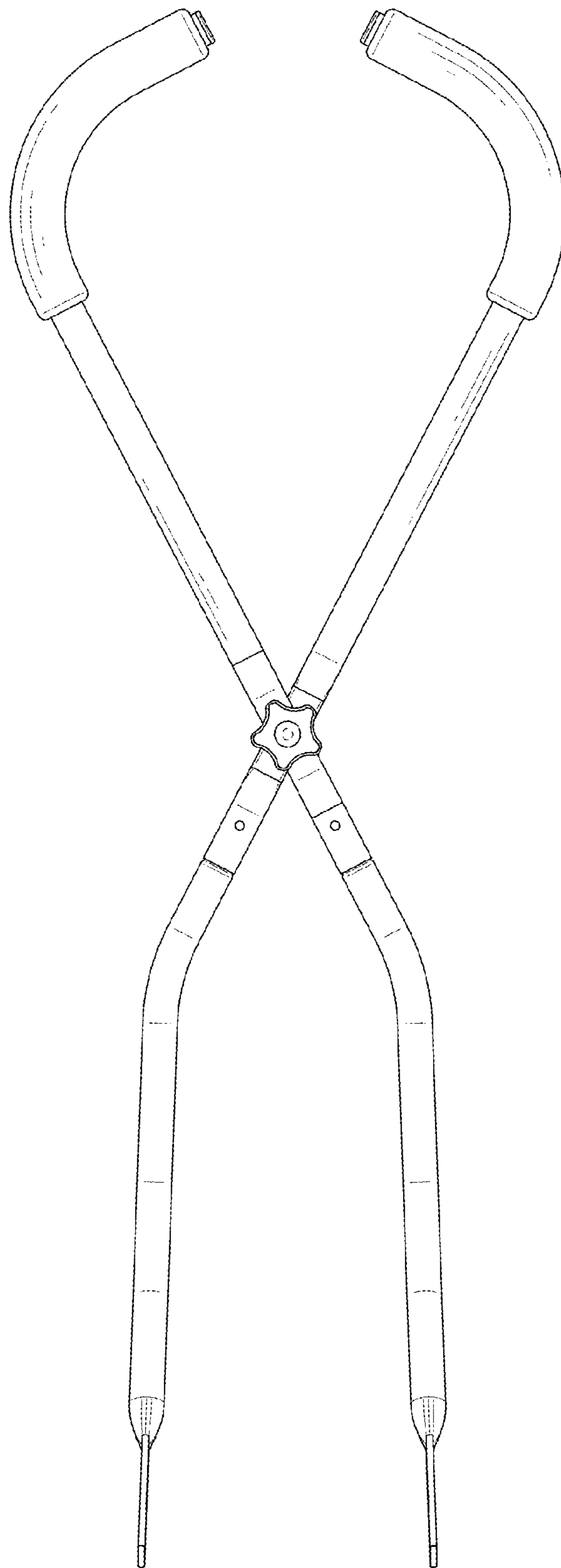


FIG. 3

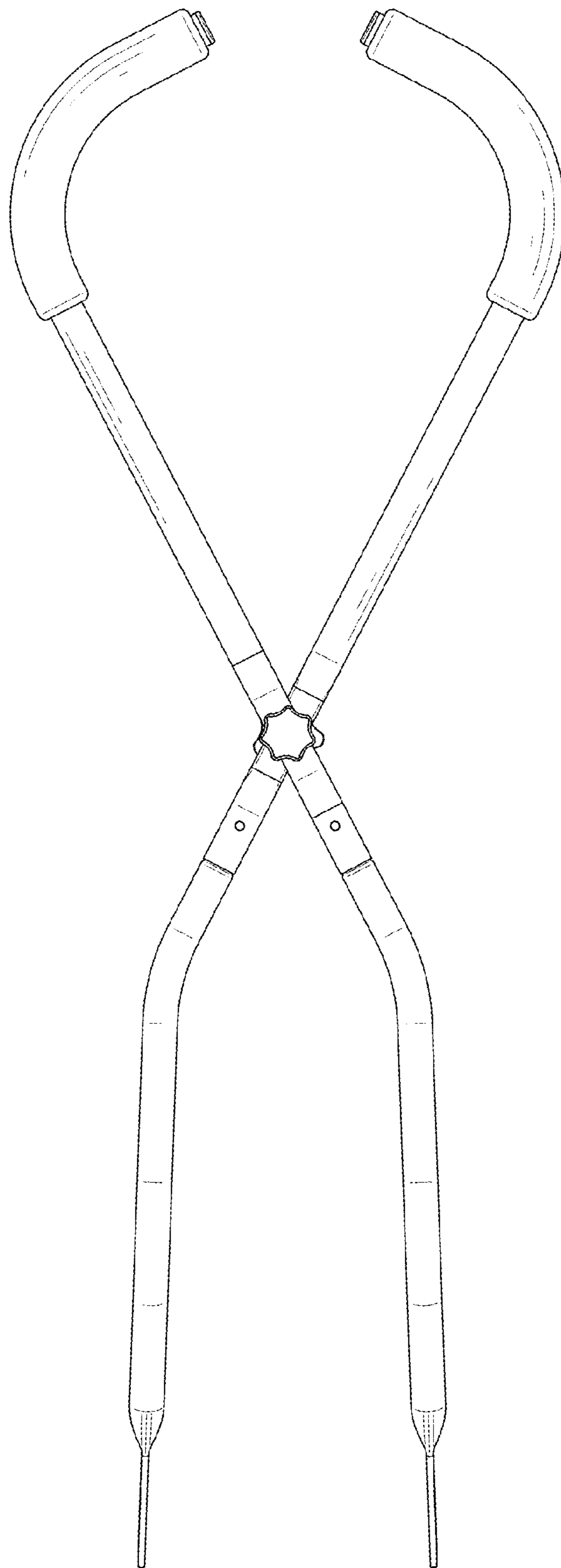


FIG. 4

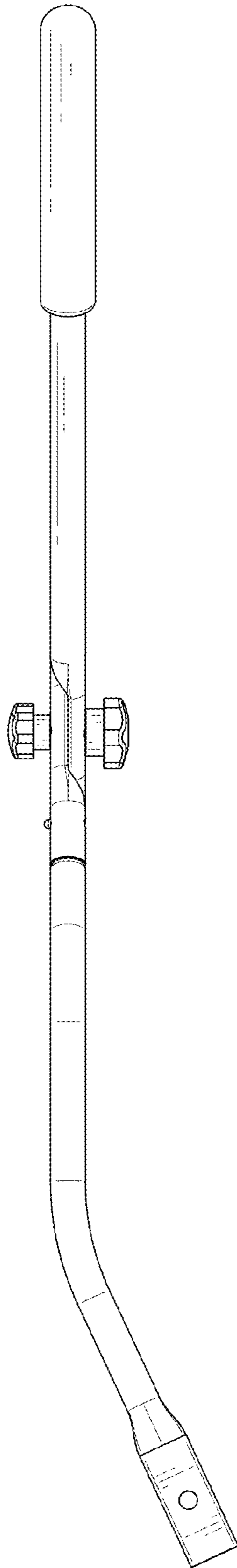


FIG. 5

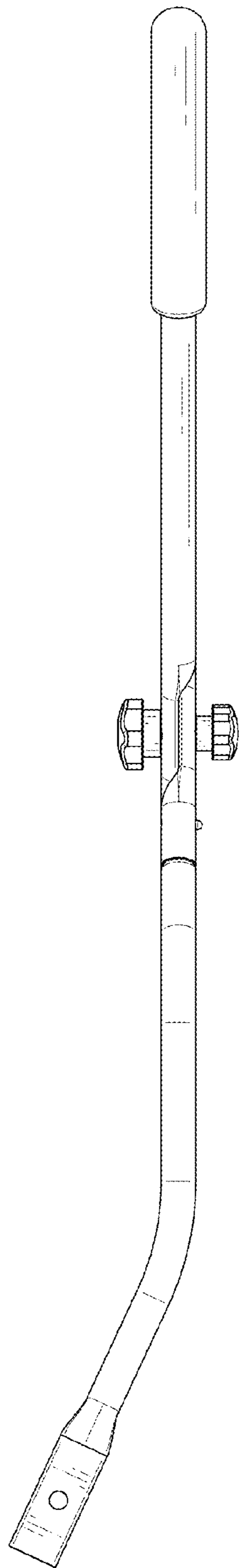


FIG. 6

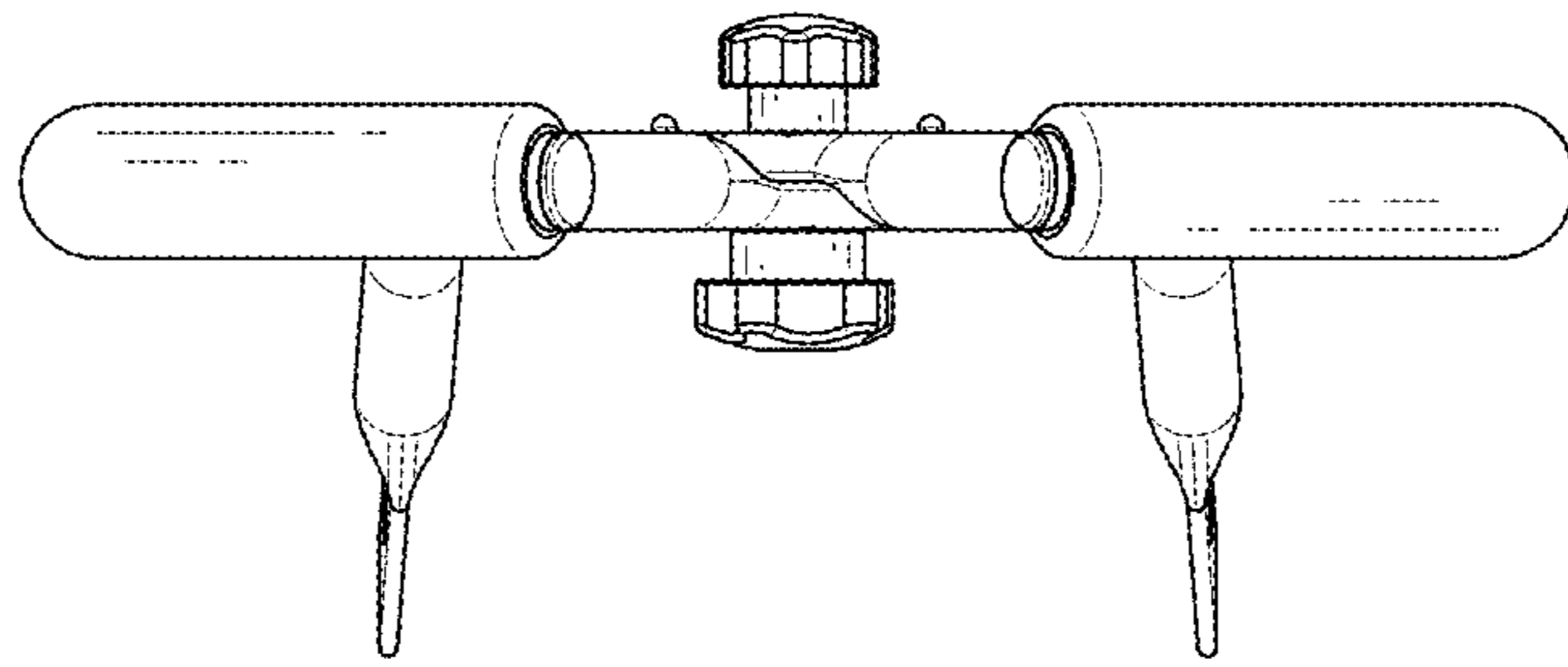


FIG. 7

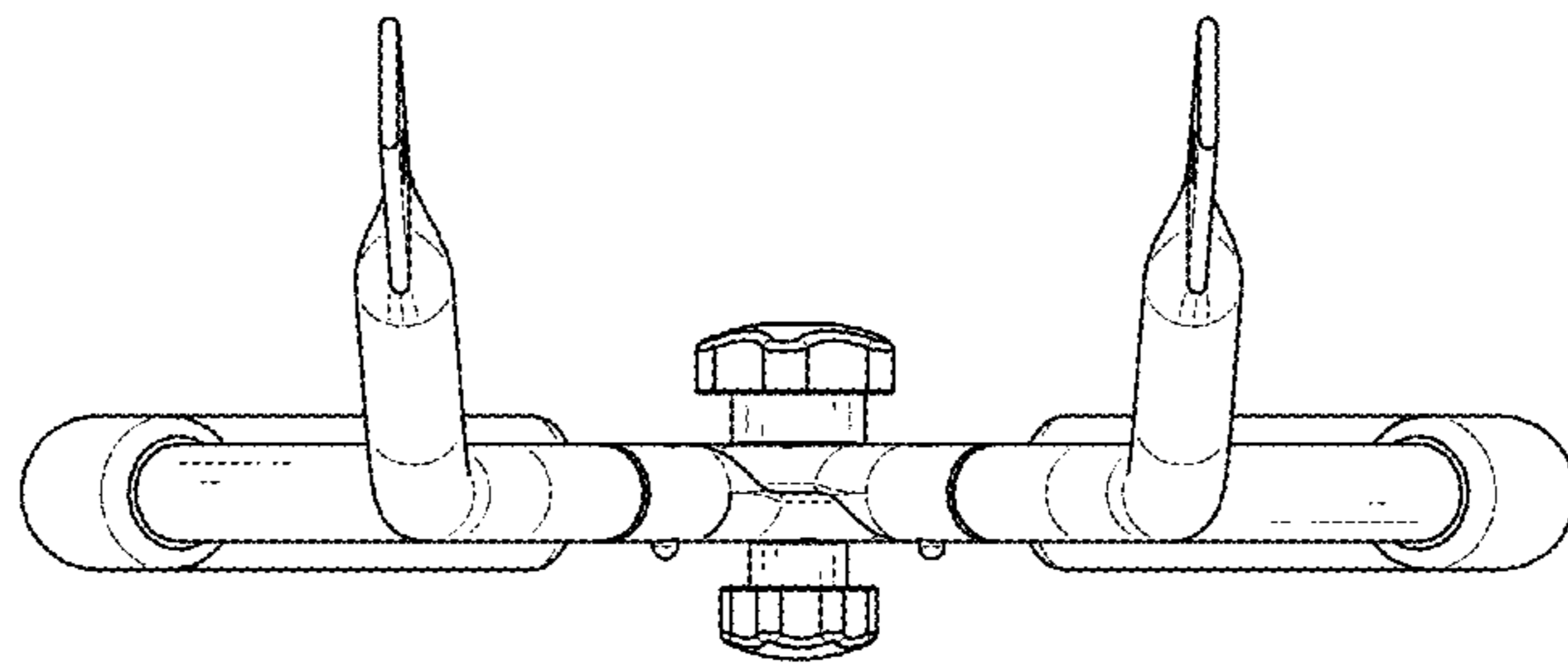


FIG. 8