



US00D947072S

(12) **United States Design Patent**  
**Kim et al.**

(10) **Patent No.:** **US D947,072 S**  
(45) **Date of Patent:** **\*\* Mar. 29, 2022**

(54) **VEHICLE LIFTGATE**  
(71) Applicant: **Canoo Technologies Inc.**, Torrance, CA (US)  
(72) Inventors: **Richard Kim**, Los Angeles, CA (US); **Brian Oh**, Rancho Palos Verdes, CA (US); **Jackson E. Luttig**, Rancho Palos Verdes, CA (US); **Brian Spencer**, Lakewood, CA (US); **Sagar Shrivastava**, San Pedro, CA (US); **Calvin Liu**, Torrance, CA (US)

D274,637 S 7/1984 Terui et al.  
D457,467 S 5/2002 Shimizu  
D800,017 S 10/2017 Sapet  
D832,742 S 11/2018 Fisker  
D839,784 S 2/2019 Sugawara et al.  
D859,252 S \* 9/2019 Krieg ..... D12/196  
D860,862 S 9/2019 Janin  
D875,185 S 2/2020 Zeng  
D883,885 S \* 5/2020 Metros ..... D12/196  
D889,344 S \* 7/2020 Tonello ..... D12/196  
10,769,940 B2 9/2020 Hur  
D897,919 S \* 10/2020 Choi ..... D12/196

(Continued)

(73) Assignee: **Canoo Technologies Inc.**, Torrance, CA (US)  
(\*\*) Term: **15 Years**  
(21) Appl. No.: **29/804,203**  
(22) Filed: **Aug. 18, 2021**

**OTHER PUBLICATIONS**

Liftgate. (Design—© Questel) orbit.com. [Online PDF compilation of references selected by examiner] 58 pgs. Print Dates Range Jul. 4, 2018-Mar. 11, 1992 [Retrieved Jan. 6, 2022].\*

(Continued)

*Primary Examiner* — Manpreet S Matharu  
*Assistant Examiner* — Suzanne E Tisdell

**Related U.S. Application Data**

(62) Division of application No. 29/706,601, filed on Sep. 20, 2019, now Pat. No. Des. 941,203.  
(51) **LOC (13) Cl.** ..... **12-16**  
(52) **U.S. Cl.**  
USPC ..... **D12/96**  
(58) **Field of Classification Search**  
USPC ..... D12/86, 90, 91, 92, 93, 163, 164, 166, D12/167, 169, 171, 172, 173, 190, 216  
CPC ..... B60J 5/10; B60J 5/107; B60J 5/045; B60J 5/0455; B60J 5/044; B60J 5/0441; B62D 35/007; B62D 37/02  
See application file for complete search history.

(57) **CLAIM**

The ornamental design for a vehicle liftgate, as shown and described.

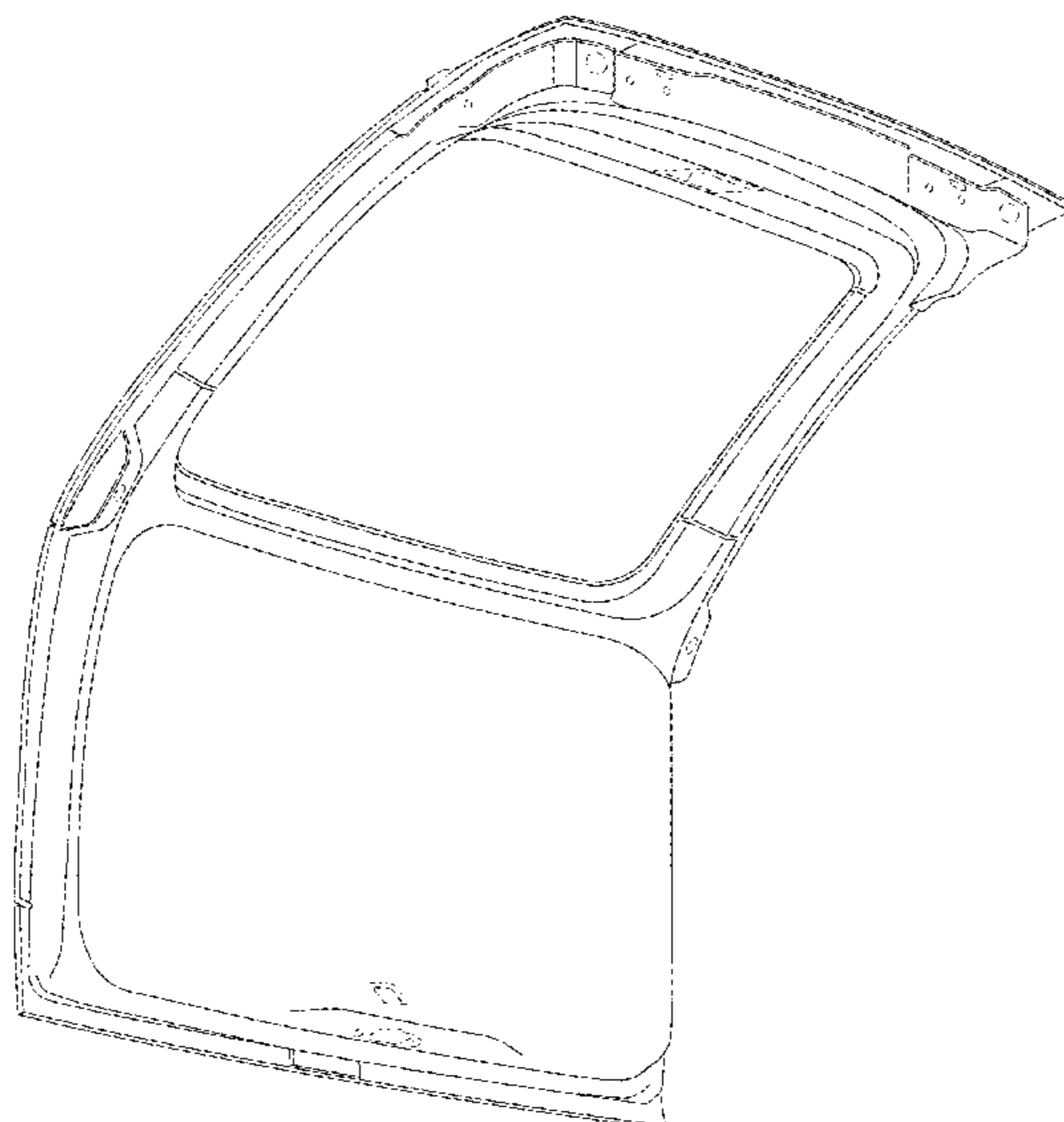
**DESCRIPTION**

FIG. 1 is a perspective view of a vehicle liftgate, according to an embodiment of the invention.  
FIG. 2 is another perspective view thereof.  
FIG. 3 is a front view thereof.  
FIG. 4 is a rear view thereof.  
FIG. 5 is a side view thereof.  
FIG. 6 is a bottom view thereof; and,  
FIG. 7 is a top view thereof.  
Mirror images of side views that are not shown are within the scope of the claimed design though not illustrated.  
Portions of the vehicle liftgate shown in broken lines form no part of the claimed design.

(56) **References Cited**  
U.S. PATENT DOCUMENTS

D238,799 S 2/1976 Goldfarb et al.  
D262,391 S 12/1981 Kanaoki

**1 Claim, 7 Drawing Sheets**



(56)

References Cited

U.S. PATENT DOCUMENTS

10,821,776	B1	11/2020	Labadie et al.	
10,829,145	B2	11/2020	Washnock et al.	
10,870,361	B2	12/2020	Hara et al.	
D913,888	S *	3/2021	Piaskowski	D12/196
10,951,044	B2	3/2021	Choi et al.	
10,959,892	B2	3/2021	Yamada et al.	
10,974,582	B2	4/2021	Hara	
10,983,199	B2	4/2021	Adams et al.	
D919,532	S *	5/2021	Ruiz	D12/196
11,034,254	B2	6/2021	Booth et al.	
11,040,609	B2	6/2021	Hara et al.	
D930,541	S *	9/2021	Theis	D12/196
2016/0347155	A1 *	12/2016	Kuntze	B62D 29/043
2017/0174056	A1 *	6/2017	Kuntze	B60J 5/107
2020/0114739	A1 *	4/2020	Kuntze	B60S 1/583
2020/0392779	A1 *	12/2020	Zhu	B60R 5/041
2021/0269102	A1 *	9/2021	Lindberg	B62D 37/02
2021/0283999	A1 *	9/2021	Harney	B60J 5/045

OTHER PUBLICATIONS

Canoo names VDL Nedcar as contract manufacturing partner. Jun. 18, 2021. Stamping Journal, <https://www.thefabricator.com/>

[stampingjournal/news/electricvehicles/canoo-names-vdl-nedcar-as-contract-manufacturing-partner](https://www.stampingjournal/news/electricvehicles/canoo-names-vdl-nedcar-as-contract-manufacturing-partner).\*

Canoo Vehicle 3D model. Mar. 17, 2021. CG Trader, <https://www.cgtrader.com/3d-models/car/concept/canoo-vehicle>.\*

Levin, Tim. Canoo Unveils Lineup of Electric Multi-Purpose Delivery Vehicles. Dec. 18, 2020. Insider, <https://www.businessinsider.com/canoo-unveils-lineup-of-electric-multi-purpose-delivery-vehicles-2020-12>.\*

Electric Vehicle. (Design—© Questel) orbit.com [Online PDF compilation of references] 49 pgs. Print Dates Range Jan. 20, 2021-Mar. 28, 2019 [Retrieved Jun. 29, 2021].

Reynolds, Kim. “The Canoo Electric Car: 6 Thoughts After Visiting the EV Startup.” Aug. 17, 2019. Motor Trend, <https://www.motortrend.com/news/canoo-electric-car-6-thoughts-ev-startup/>.

Abuelsamid, Sam. “Introducing Canoo, No. Paddles Required for This Electric Van.” Sep. 24, 2019. Forbes. <https://www.forbes.com/sites/samuelsamid/2019/09/24/introducing-canoo-No-paddles-required-for-this-electric-van/sh=3a231b27641d>.

OKane, Sean. “Canoo’s First Subscription-Only EV is a Refreshing Rethink of the VW Microbus.” Sep. 24, 2019. The Verge, <https://www.theverge.com/2019/9/24/20882538/canoo-evelocity-ev-subscription-electric-vehicle>.

\* cited by examiner



FIG. 1

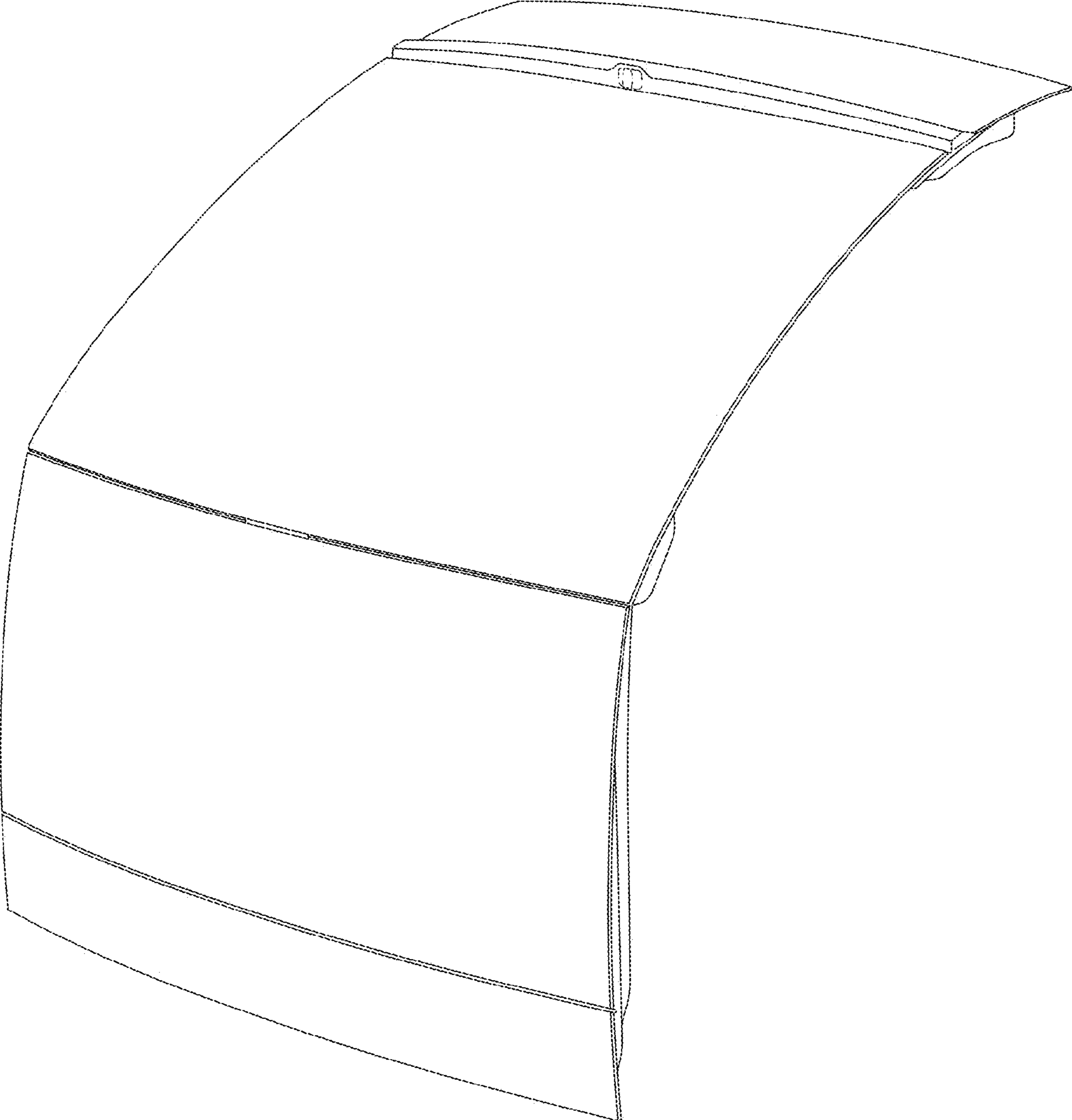


FIG. 2

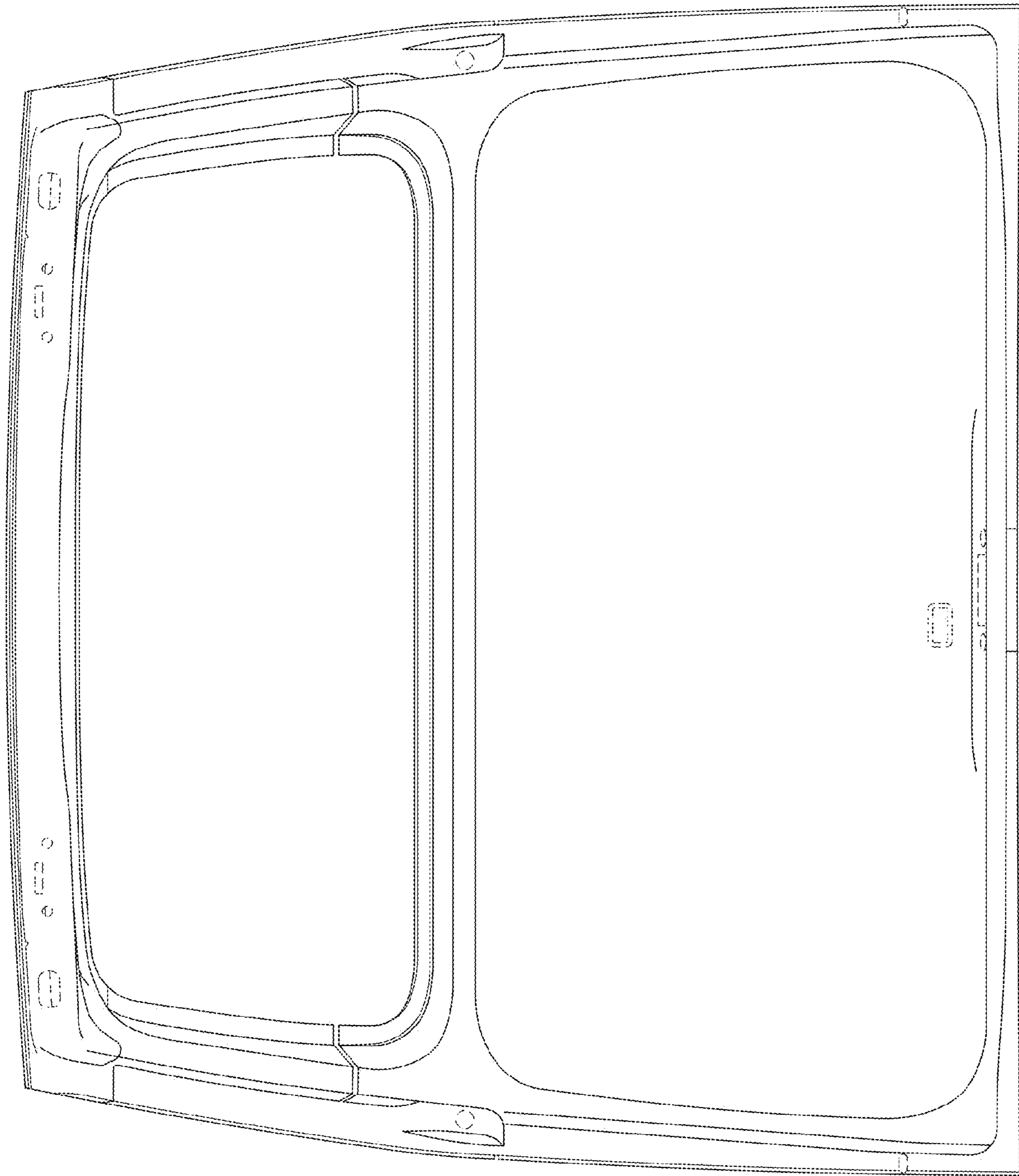


FIG. 3

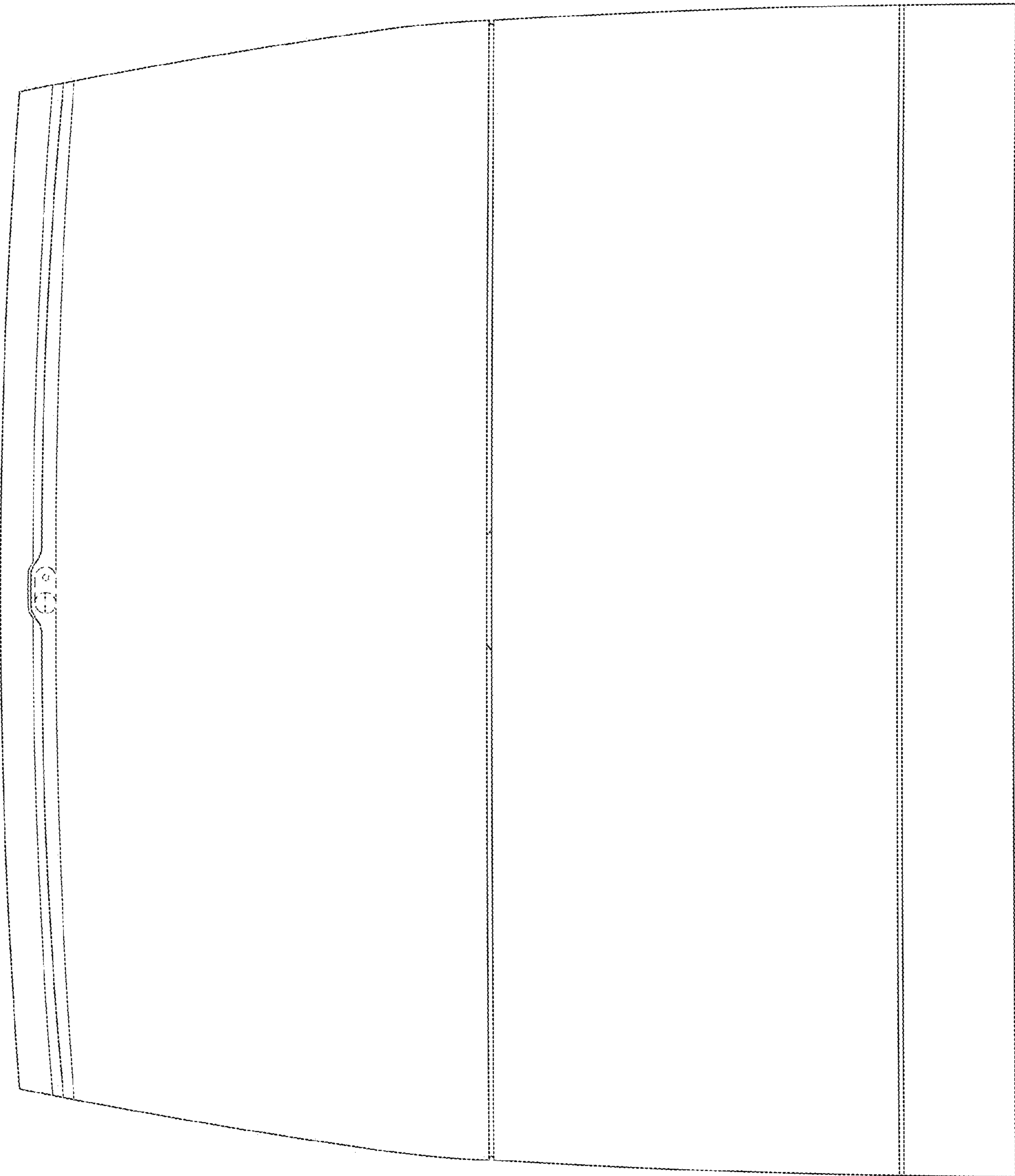


FIG. 4

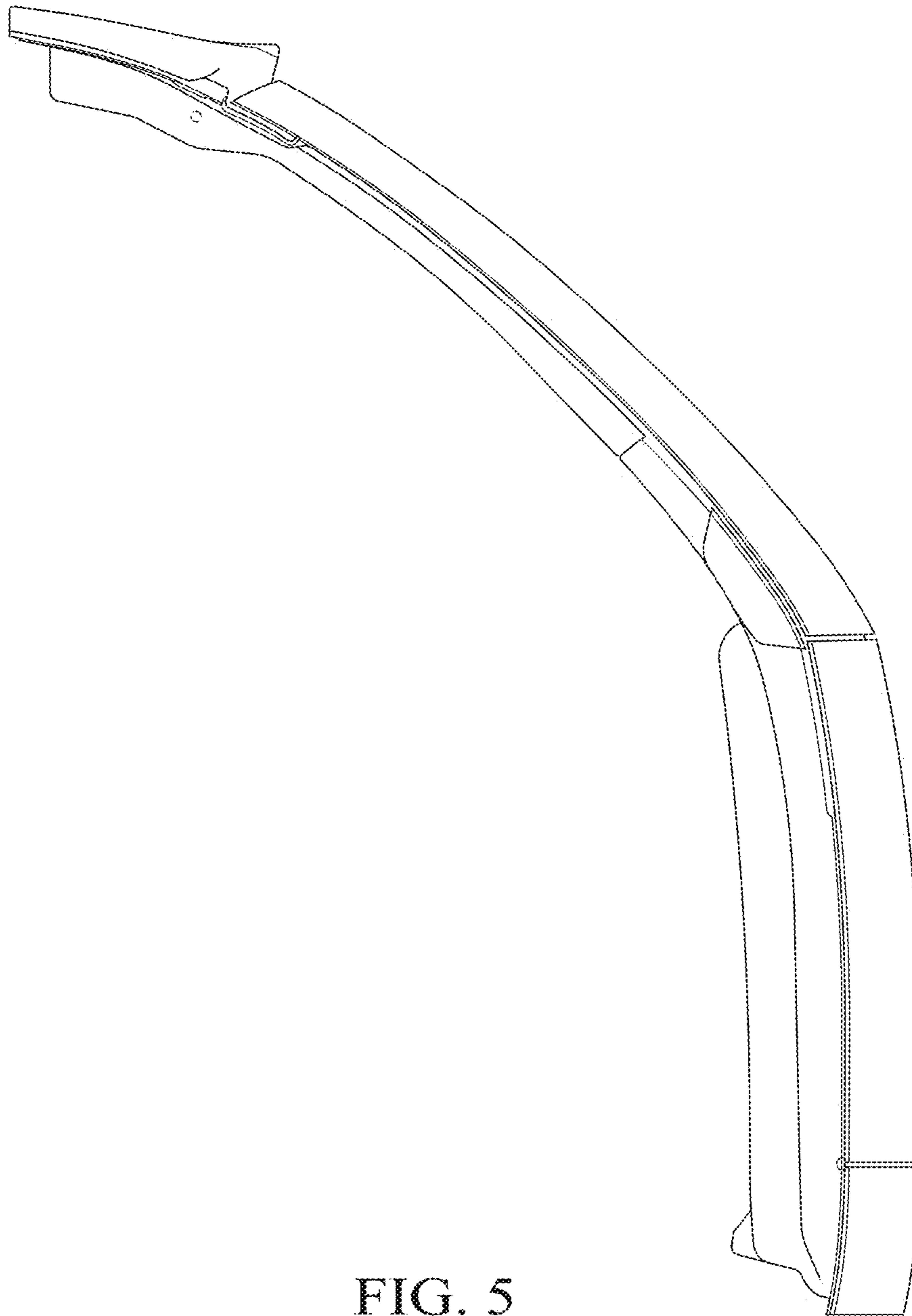


FIG. 5

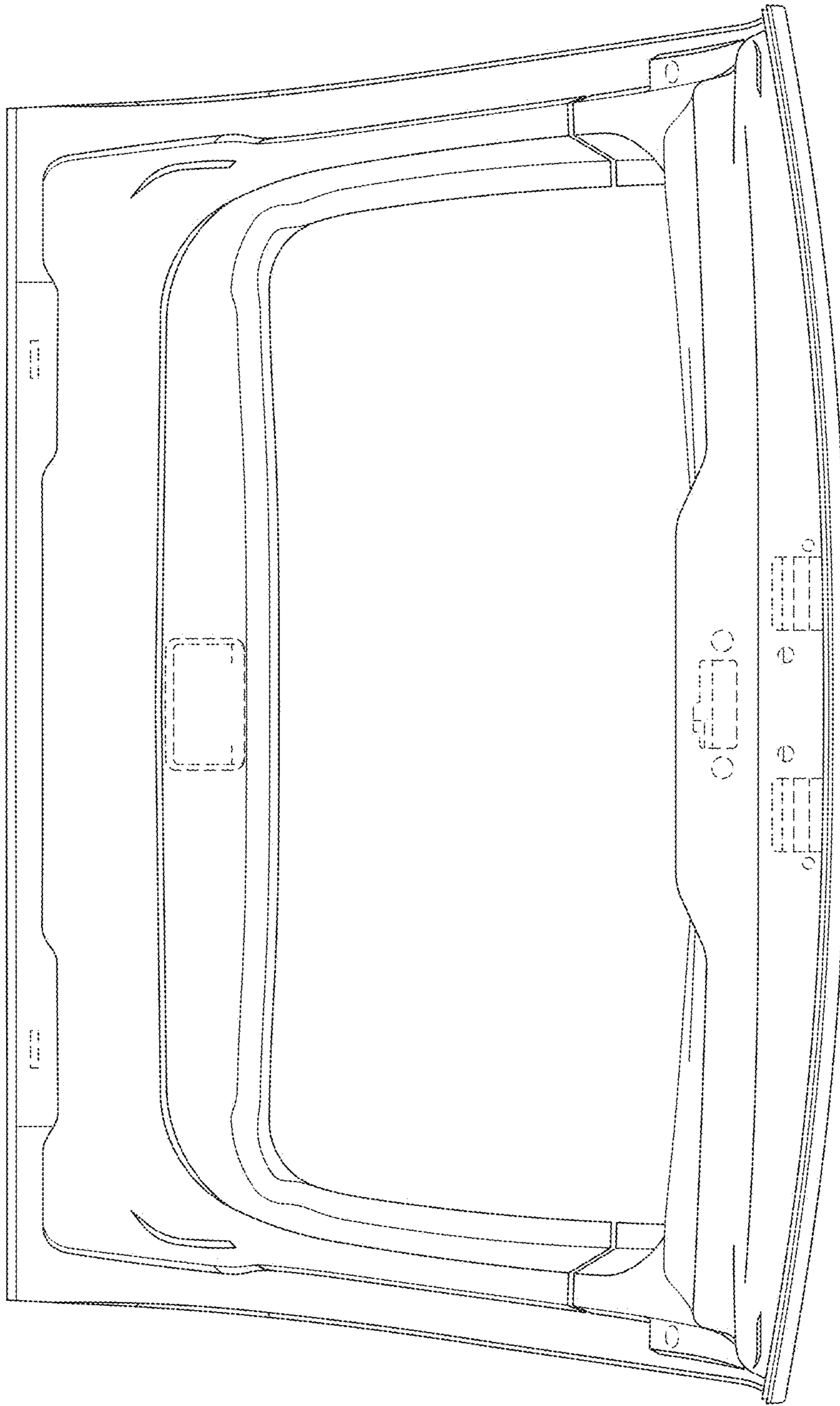


FIG. 6



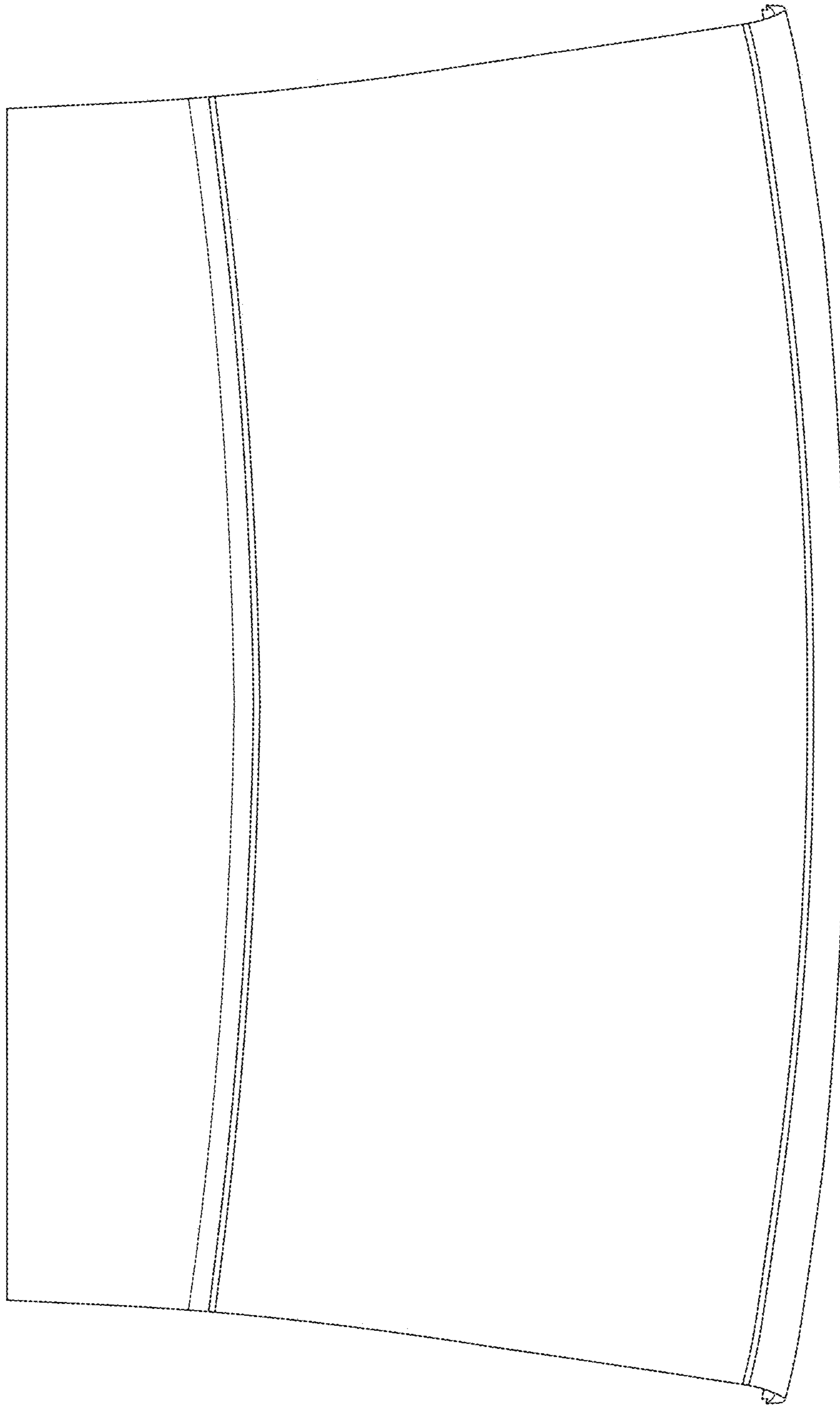


FIG. 7