



US00D947068S

(12) **United States Design Patent**  
**Llewellyn**

(10) **Patent No.:** **US D947,068 S**  
(45) **Date of Patent:** **\*\* Mar. 29, 2022**

(54) **SET OF VASES**

(71) Applicant: **Tracy Llewellyn**, Brooklyn, NY (US)

(72) Inventor: **Tracy Llewellyn**, Brooklyn, NY (US)

(73) Assignee: **Tracy Llewellyn**, Brooklyn, NY (US)

(\*\*) Term: **15 Years**

(21) Appl. No.: **29/734,280**

(22) Filed: **May 11, 2020**

(51) **LOC (13) Cl.** ..... **11-02**

(52) **U.S. Cl.**

USPC ..... **D11/157**; D11/149

(58) **Field of Classification Search**

USPC ..... D11/131, 133, 149, 157, 184; D3/270,  
D3/271.1; D6/556-558, 563

(Continued)

(56) **References Cited**

**U.S. PATENT DOCUMENTS**

D267,081 S \* 11/1982 McCoy ..... D11/149

D307,038 S \* 4/1990 Rice ..... D21/371

(Continued)

**OTHER PUBLICATIONS**

The Alphabet Vase, available Nov. 19, 2020, [online], [site visited Nov. 19, 2021]. Available from internet, URL: <https://www.uncommongoods.com/product/the-alphabet-vase> (Year: 2020).\*

(Continued)

*Primary Examiner* — W. A. Teddy Falloway

(74) *Attorney, Agent, or Firm* — Proskauer Rose LLP

(57) **CLAIM**

The ornamental design for a set of vases, as shown and described.

**DESCRIPTION**

FIG. 1 is a front perspective view of a letter “A” of the set of vases, showing my new design;

FIG. 2 is a top view thereof;  
FIG. 3 is a bottom view thereof;  
FIG. 4 is a left side view thereof;  
FIG. 5 is a front view thereof;  
FIG. 6 is a right side view thereof;  
FIG. 7 is a rear view thereof;  
FIG. 8 is a front perspective view of a letter “B” of the set of vases, showing my new design;  
FIG. 9 is a top view thereof;  
FIG. 10 is a bottom view thereof;  
FIG. 11 is a left side view thereof;  
FIG. 12 is a front view thereof;  
FIG. 13 is a right side view thereof;  
FIG. 14 is a rear view thereof;  
FIG. 15 is a front perspective view of a letter “C” of the set of vases, showing my new design;  
FIG. 16 is a top view thereof;  
FIG. 17 is a bottom view thereof;  
FIG. 18 is a left side view thereof;  
FIG. 19 is a front view thereof;  
FIG. 20 is a right side view thereof;  
FIG. 21 is a rear view thereof;  
FIG. 22 is a front perspective view of a letter “D” of the set of vases, showing my new design;  
FIG. 23 is a top view thereof;  
FIG. 24 is a bottom view thereof;  
FIG. 25 is a left side view thereof;  
FIG. 26 is a front view thereof;  
FIG. 27 is a right side view thereof;  
FIG. 28 is a rear view thereof;  
FIG. 29 is a front perspective view of a letter “E” of the set of vases, showing my new design;  
FIG. 30 is a top view thereof;  
FIG. 31 is a bottom view thereof;  
FIG. 32 is a left side view thereof;  
FIG. 33 is a front view thereof;  
FIG. 34 is a right side view thereof;  
FIG. 35 is a rear view thereof;  
FIG. 36 is a front perspective view of a letter “F” of the set of vases, showing my new design;  
FIG. 37 is a top view thereof;  
FIG. 38 is a bottom view thereof;  
FIG. 39 is a left side view thereof;

(Continued)

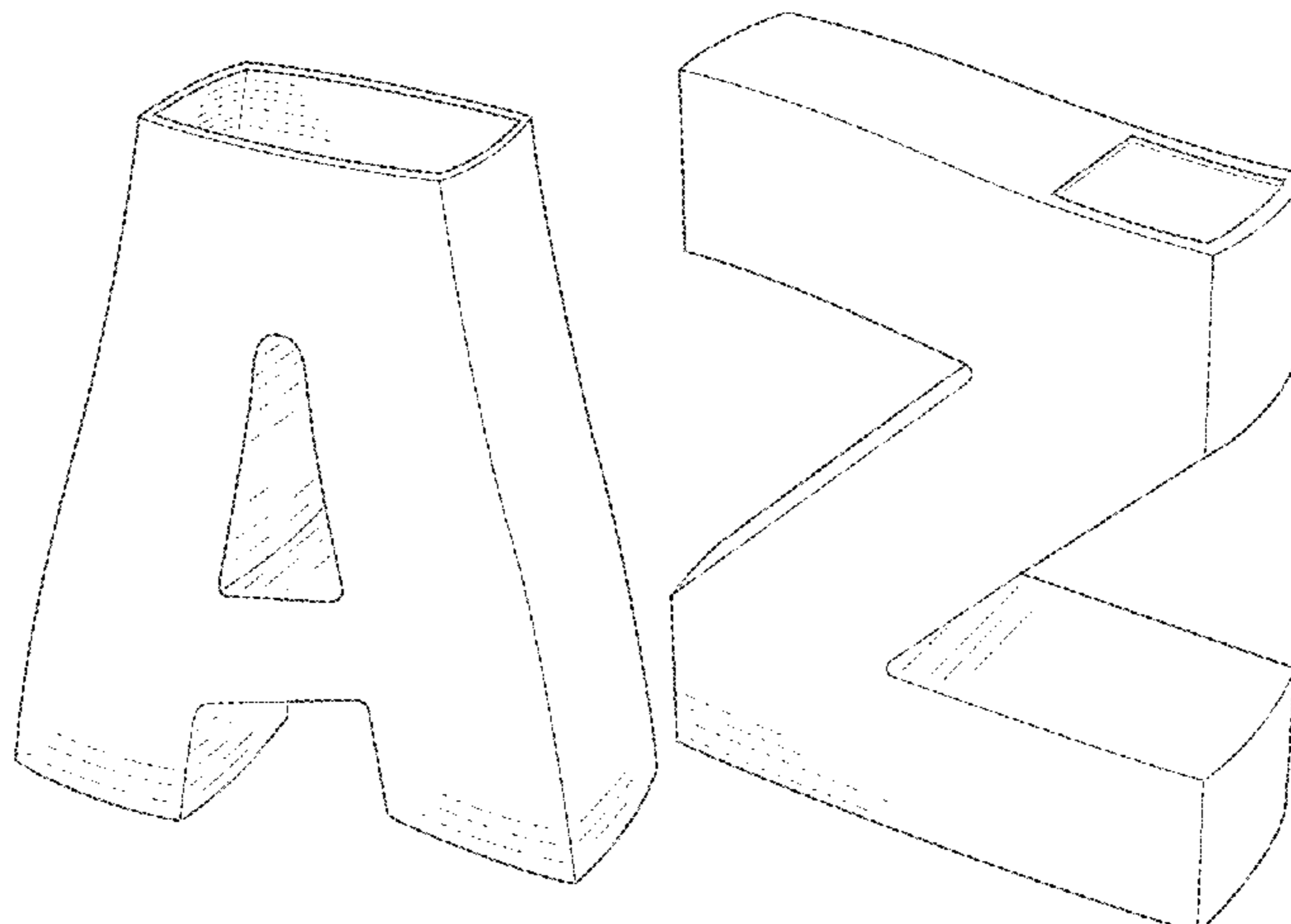


FIG. 40 is a front view thereof;  
FIG. 41 is a right side view thereof;  
FIG. 42 is a rear view thereof;  
FIG. 43 is a front perspective view of a letter "G" of the set of vases, showing my new design;  
FIG. 44 is a top view thereof;  
FIG. 45 is a bottom view thereof;  
FIG. 46 is a left side view thereof;  
FIG. 47 is a front view thereof;  
FIG. 48 is a right side view thereof;  
FIG. 49 is a rear view thereof;  
FIG. 50 is a front perspective view of a letter "H" of the set of vases, showing my new design;  
FIG. 51 is a top view thereof;  
FIG. 52 is a bottom view thereof;  
FIG. 53 is a left side view thereof;  
FIG. 54 is a front view thereof;  
FIG. 55 is a right side view thereof;  
FIG. 56 is a rear view thereof;  
FIG. 57 is a front perspective view of a letter "I" of the set of vases, showing my new design;  
FIG. 58 is a top view thereof;  
FIG. 59 is a bottom view thereof;  
FIG. 60 is a left side view thereof;  
FIG. 61 is a front view thereof;  
FIG. 62 is a right side view thereof;  
FIG. 63 is a rear view thereof;  
FIG. 64 is a front perspective view of a letter "J" of the set of vases, showing my new design;  
FIG. 65 is a top view thereof;  
FIG. 66 is a bottom view thereof;  
FIG. 67 is a left side view thereof;  
FIG. 68 is a front view thereof;  
FIG. 69 is a right side view thereof;  
FIG. 70 is a rear view thereof;  
FIG. 71 is a front perspective view of a letter "K" of the set of vases, showing my new design;  
FIG. 72 is a top view thereof;  
FIG. 73 is a bottom view thereof;  
FIG. 74 is a left side view thereof;  
FIG. 75 is a front view thereof;  
FIG. 76 is a right side view thereof;  
FIG. 77 is a rear view thereof;  
FIG. 78 is a front perspective view of a letter "L" of the set of vases, showing my new design;  
FIG. 79 is a top view thereof;  
FIG. 80 is a bottom view thereof;  
FIG. 81 is a left side view thereof;  
FIG. 82 is a front view thereof;  
FIG. 83 is a right side view thereof;  
FIG. 84 is a rear view thereof;  
FIG. 85 is a front perspective view of a letter "M" of the set of vases, showing my new design;  
FIG. 86 is a top view thereof;  
FIG. 87 is a bottom view thereof;  
FIG. 88 is a left side view thereof;  
FIG. 89 is a front view thereof;  
FIG. 90 is a right side view thereof;  
FIG. 91 is a rear view thereof;  
FIG. 92 is a front perspective view of a letter "N" of the set of vases, showing my new design;  
FIG. 93 is a top view thereof;  
FIG. 94 is a bottom view thereof;  
FIG. 95 is a left side view thereof;  
FIG. 96 is a front view thereof;  
FIG. 97 is a right side view thereof;  
FIG. 98 is a rear view thereof;  
FIG. 99 is a front perspective view of a letter "O" of the set of vases, showing my new design;  
FIG. 100 is a top view thereof;  
FIG. 101 is a bottom view thereof;  
FIG. 102 is a left side view thereof;  
FIG. 103 is a front view thereof;  
FIG. 104 is a right side view thereof;  
FIG. 105 is a rear view thereof;  
FIG. 106 is a front perspective view of a letter "P" of the set of vases, showing my new design;  
FIG. 107 is a top view thereof;  
FIG. 108 is a bottom view thereof;  
FIG. 109 is a left side view thereof;  
FIG. 110 is a front view thereof;  
FIG. 111 is a right side view thereof;  
FIG. 112 is a rear view thereof;  
FIG. 113 is a front perspective view of a letter "Q" of the set of vases, showing my new design;  
FIG. 114 is a top view thereof;  
FIG. 115 is a bottom view thereof;  
FIG. 116 is a left side view thereof;  
FIG. 117 is a front view thereof;  
FIG. 118 is a right side view thereof;  
FIG. 119 is a rear view thereof;  
FIG. 120 is a front perspective view of a letter "R" of the set of vases, showing my new design;  
FIG. 121 is a top view thereof;  
FIG. 122 is a bottom view thereof;  
FIG. 123 is a left side view thereof;  
FIG. 124 is a front view thereof;  
FIG. 125 is a right side view thereof;  
FIG. 126 is a rear view thereof;  
FIG. 127 is a front perspective view of a letter "S" of the set of vases, showing my new design;  
FIG. 128 is a top view thereof;  
FIG. 129 is a bottom view thereof;  
FIG. 130 is a left side view thereof;  
FIG. 131 is a front view thereof;  
FIG. 132 is a right side view thereof;  
FIG. 133 is a rear view thereof;  
FIG. 134 is a front perspective view of a letter "T" of the set of vases, showing my new design;  
FIG. 135 is a top view thereof;  
FIG. 136 is a bottom view thereof;  
FIG. 137 is a left side view thereof;  
FIG. 138 is a front view thereof;  
FIG. 139 is a right side view thereof;  
FIG. 140 is a rear view thereof;  
FIG. 141 is a front perspective view of a letter "U" of the set of vases, showing my new design;  
FIG. 142 is a top view thereof;  
FIG. 143 is a bottom view thereof;  
FIG. 144 is a left side view thereof;  
FIG. 145 is a front view thereof;  
FIG. 146 is a right side view thereof;  
FIG. 147 is a rear view thereof;  
FIG. 148 is a front perspective view of a letter "V" of the set of vases, showing my new design;  
FIG. 149 is a top view thereof;  
FIG. 150 is a bottom view thereof;

FIG. 151 is a left side view thereof;  
 FIG. 152 is a front view thereof;  
 FIG. 153 is a right side view thereof;  
 FIG. 154 is a rear view thereof;  
 FIG. 155 is a front perspective view of a letter “W” of the set of vases, showing my new design;  
 FIG. 156 is a top view thereof;  
 FIG. 157 is a bottom view thereof;  
 FIG. 158 is a left side view thereof;  
 FIG. 159 is a front view thereof;  
 FIG. 160 is a right side view thereof;  
 FIG. 161 is a rear view thereof;  
 FIG. 162 is a front perspective view of a letter “X” of the set of vases, showing my new design;  
 FIG. 163 is a top view thereof;  
 FIG. 164 is a bottom view thereof;  
 FIG. 165 is a left side view thereof;  
 FIG. 166 is a front view thereof;  
 FIG. 167 is a right side view thereof;  
 FIG. 168 is a rear view thereof;  
 FIG. 169 is a front perspective view of a letter “Y” of the set of vases, showing my new design;  
 FIG. 170 is a top view thereof;  
 FIG. 171 is a bottom view thereof;  
 FIG. 172 is a left side view thereof;  
 FIG. 173 is a front view thereof;  
 FIG. 174 is a right side view thereof;  
 FIG. 175 is a rear view thereof;  
 FIG. 176 is a front perspective view of a letter “Z” of the set of vases, showing my new design;  
 FIG. 177 is a top view thereof;  
 FIG. 178 is a bottom view thereof;  
 FIG. 179 is a left side view thereof;  
 FIG. 180 is a front view thereof;  
 FIG. 181 is a right side view thereof;  
 FIG. 182 is a rear view thereof;  
 FIG. 183 is a front perspective view of an ampersand of the set of vases, showing my new design;  
 FIG. 184 is a top view thereof;  
 FIG. 185 is a bottom view thereof;  
 FIG. 186 is a left side view thereof;  
 FIG. 187 is a front view thereof;

FIG. 188 is a right side view thereof; and,  
 FIG. 189 is a rear view thereof.

**1 Claim, 54 Drawing Sheets**

(58) **Field of Classification Search**

CPC . A47G 7/02; A47G 7/04; A47G 7/041; A47G 7/06

See application file for complete search history.

(56) **References Cited**

U.S. PATENT DOCUMENTS

D327,499	S	*	6/1992	Lemon	.....	D19/59
D423,050	S	*	4/2000	Rink	.....	D18/27
D472,184	S	*	3/2003	Ben-Haim	.....	D11/157
D472,334	S	*	3/2003	Scrogham	.....	C11C 5/008 D18/30
D503,210	S		3/2005	Sharma		
D627,395	S		11/2010	Weaver		
D676,082	S		2/2013	Viola-Press et al.		
D705,116	S	*	5/2014	Jackson	.....	D11/133
D739,257	S	*	9/2015	Mai	.....	D9/652
D859,995	S	*	9/2019	Mai	.....	D9/652
D904,200	S	*	12/2020	Mai	.....	D9/652

OTHER PUBLICATIONS

Karen Aspen Set of 4 Vase, available Jan. 21, 2020, [online], [site visited Nov. 19, 2021]. Available from internet, URL: [https://www.amazon.com/Kate-Aspen-Iridescent-Ceramic-\(Year:2020\).](https://www.amazon.com/Kate-Aspen-Iridescent-Ceramic-(Year:2020).)\*

Abbi Kirsten DIY Typography Vase, available Jul. 15, 2016, [online], [site visited Nov. 19, 2021]. Available from internet, URL: <https://www.abbikirstencollections.com/diy-typography-vase-with-crepe-paper-flowers/> (Year: 2016).\*

Artin House Corp.; Ceramic Vase—Letter Design; model No. U1171000; <https://www.taiwantrade.com/product/ceramic-vase-letter-design-1439017.html> (last visited May 8, 2020); Oct. 19, 2018; 4 pages.

Oh Joy!; OMG . . . YAY! vases; [https://ohjoy.blogs.com/my\\_weblog/2016/09/omgyay.html](https://ohjoy.blogs.com/my_weblog/2016/09/omgyay.html) (last visited May 8, 2020); Sep. 21, 2016; 6 pages.

\* cited by examiner

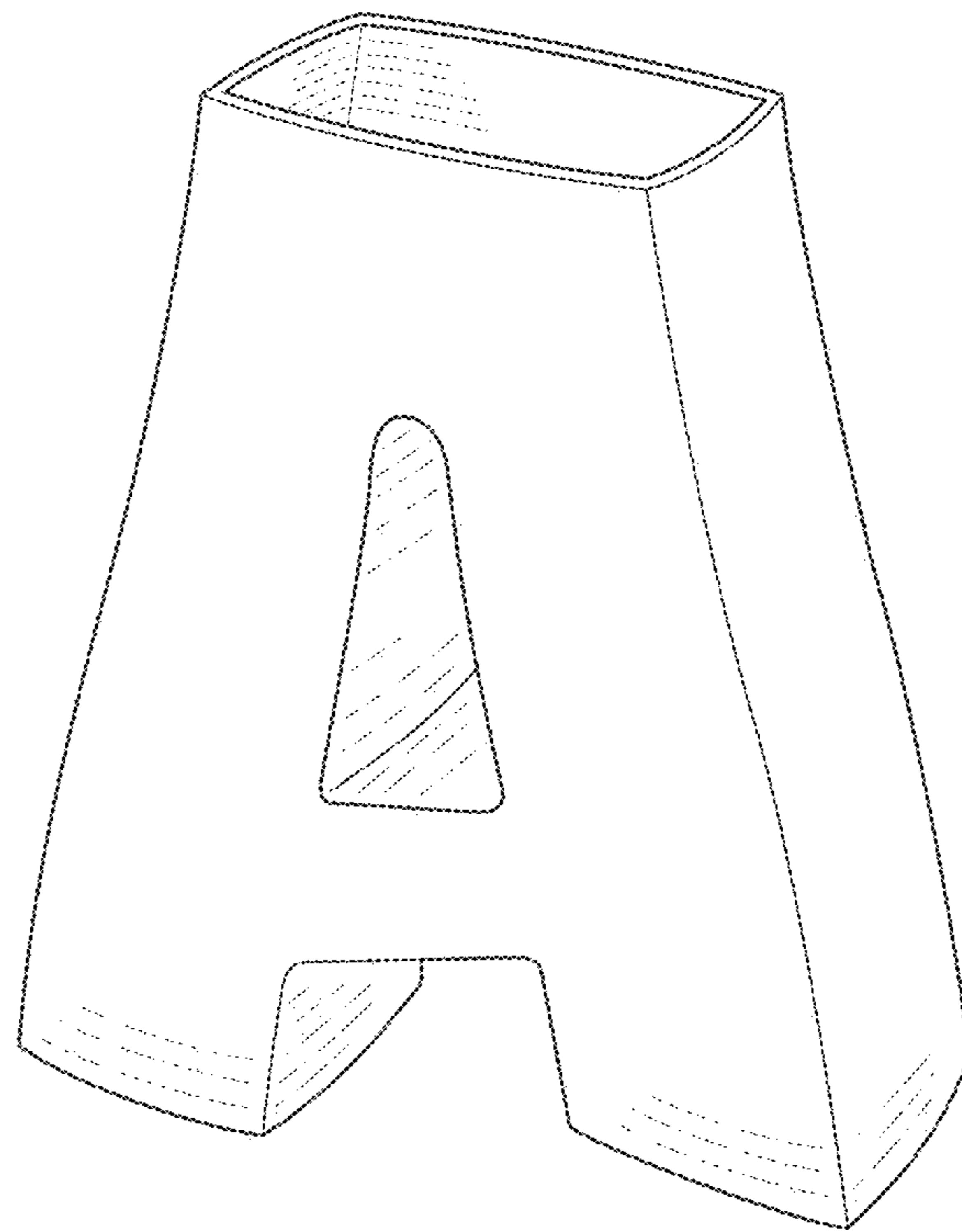


FIG. 1

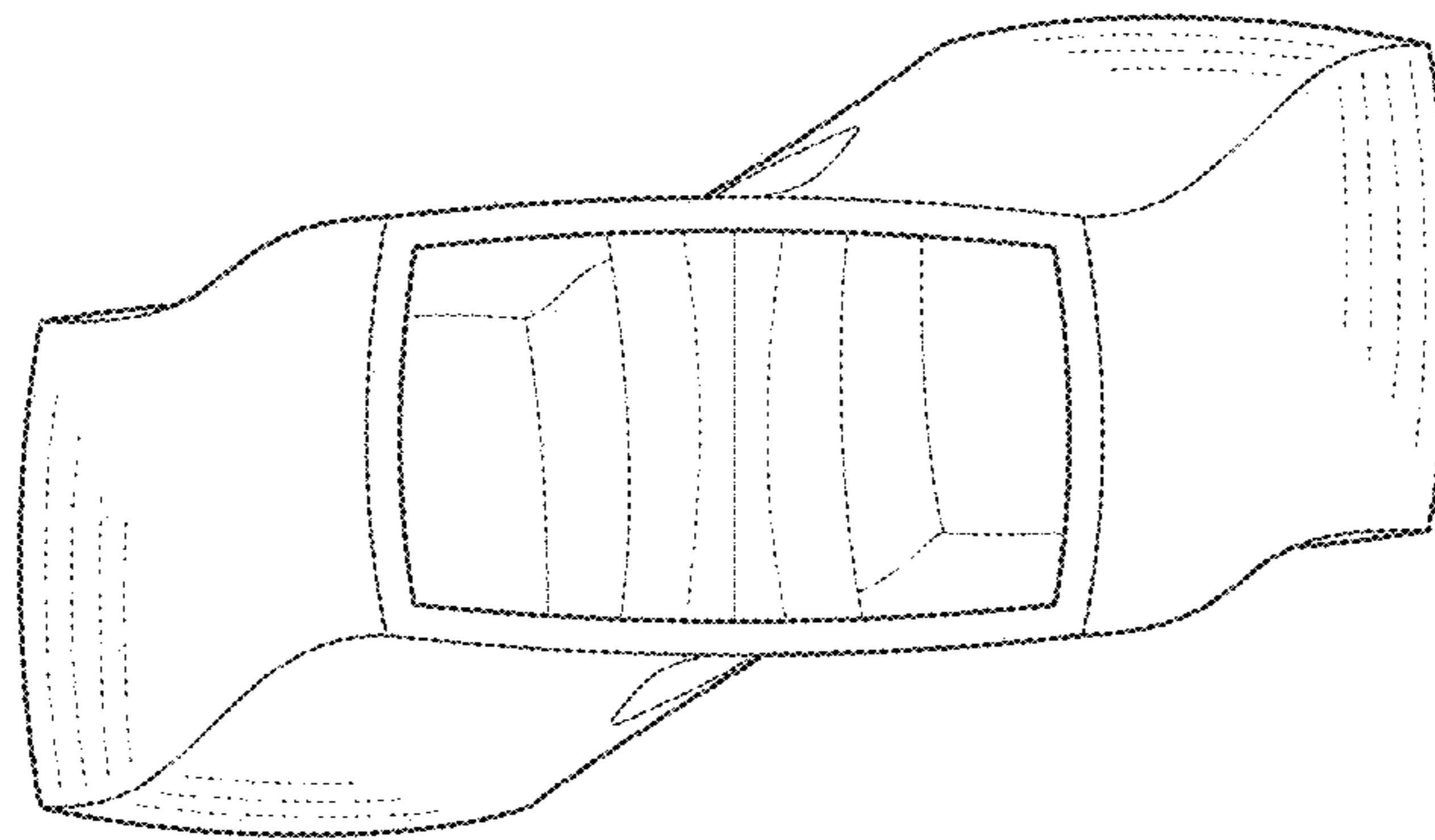


FIG. 2

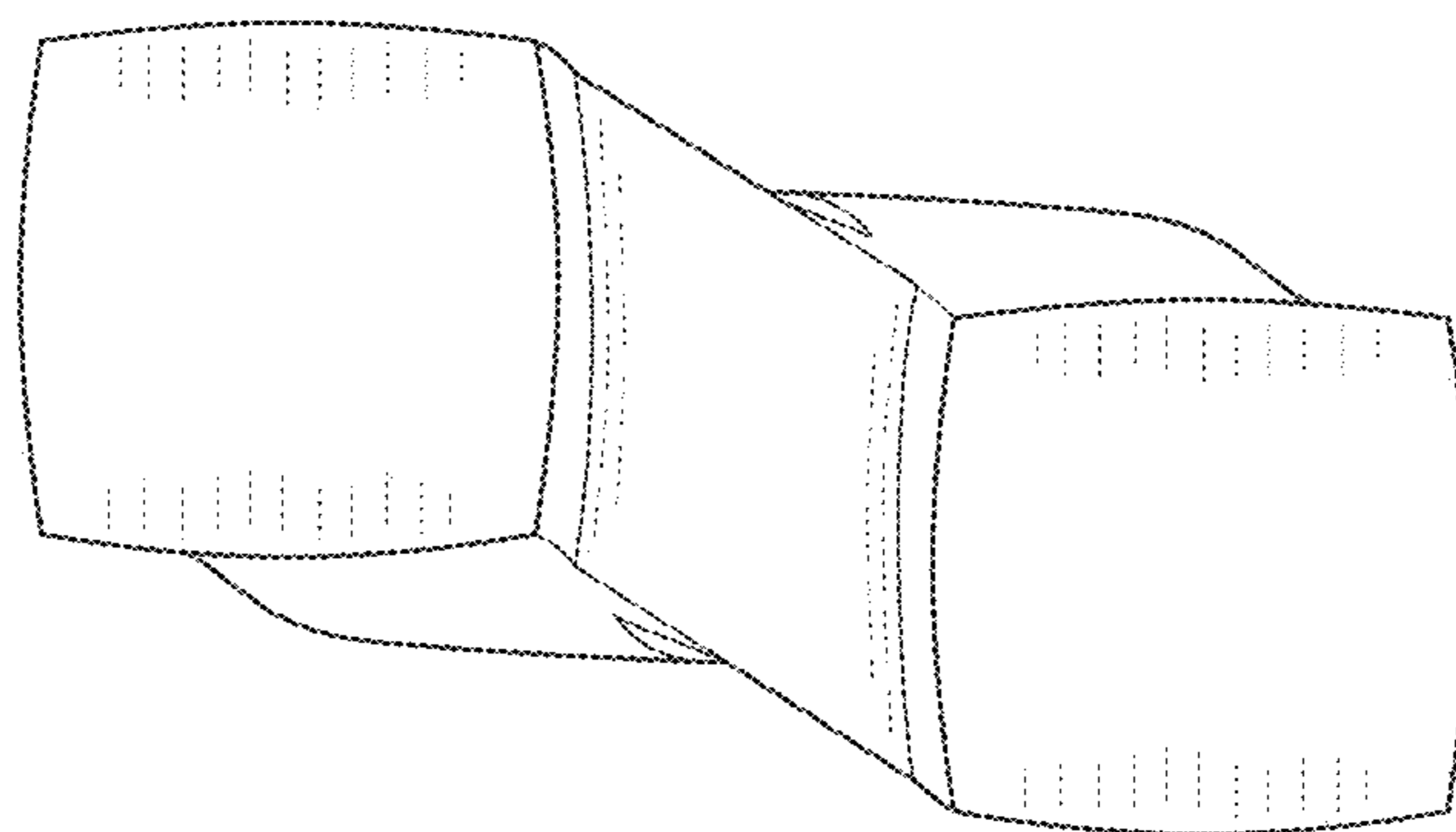


FIG. 3

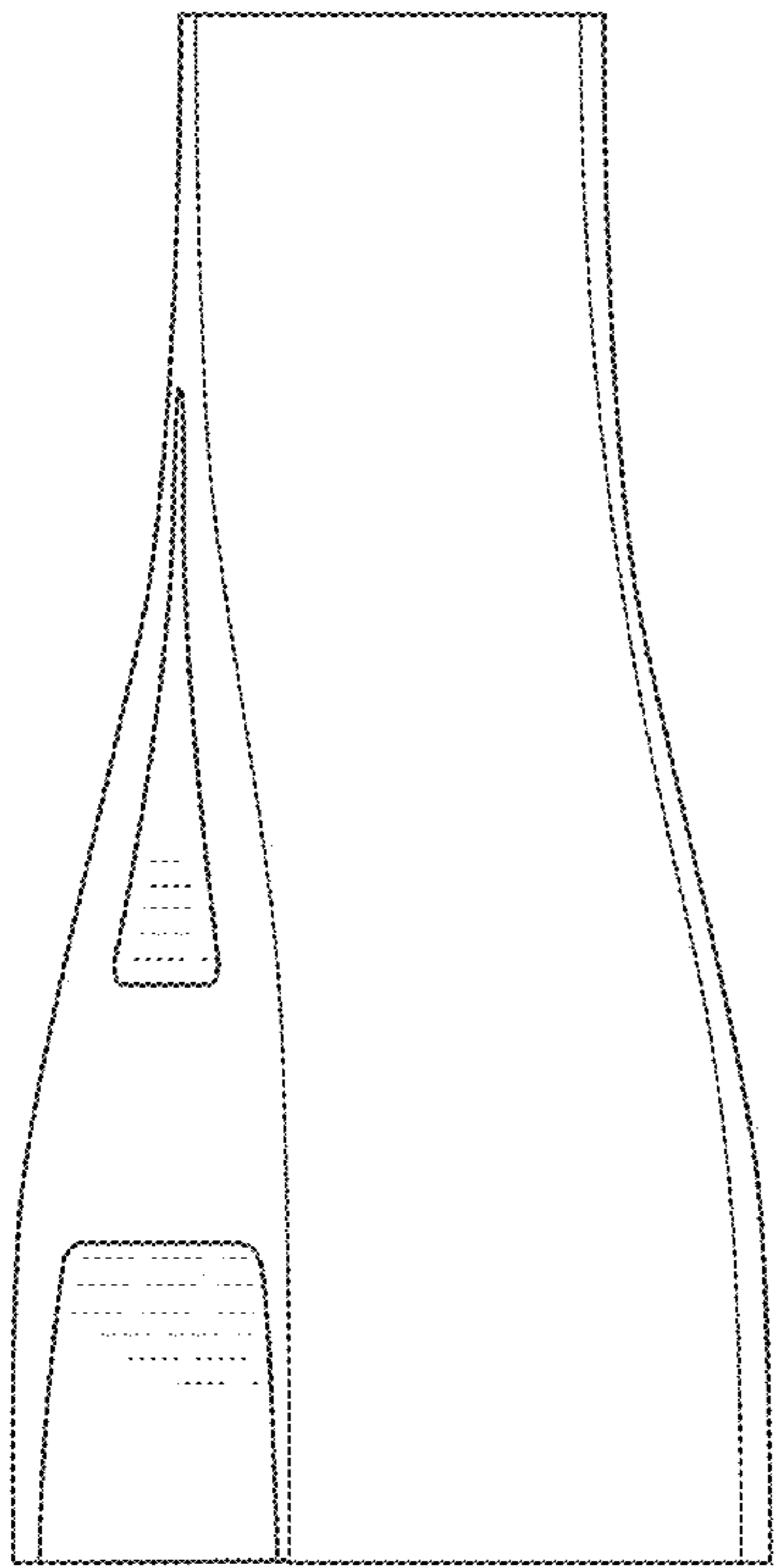


FIG. 4

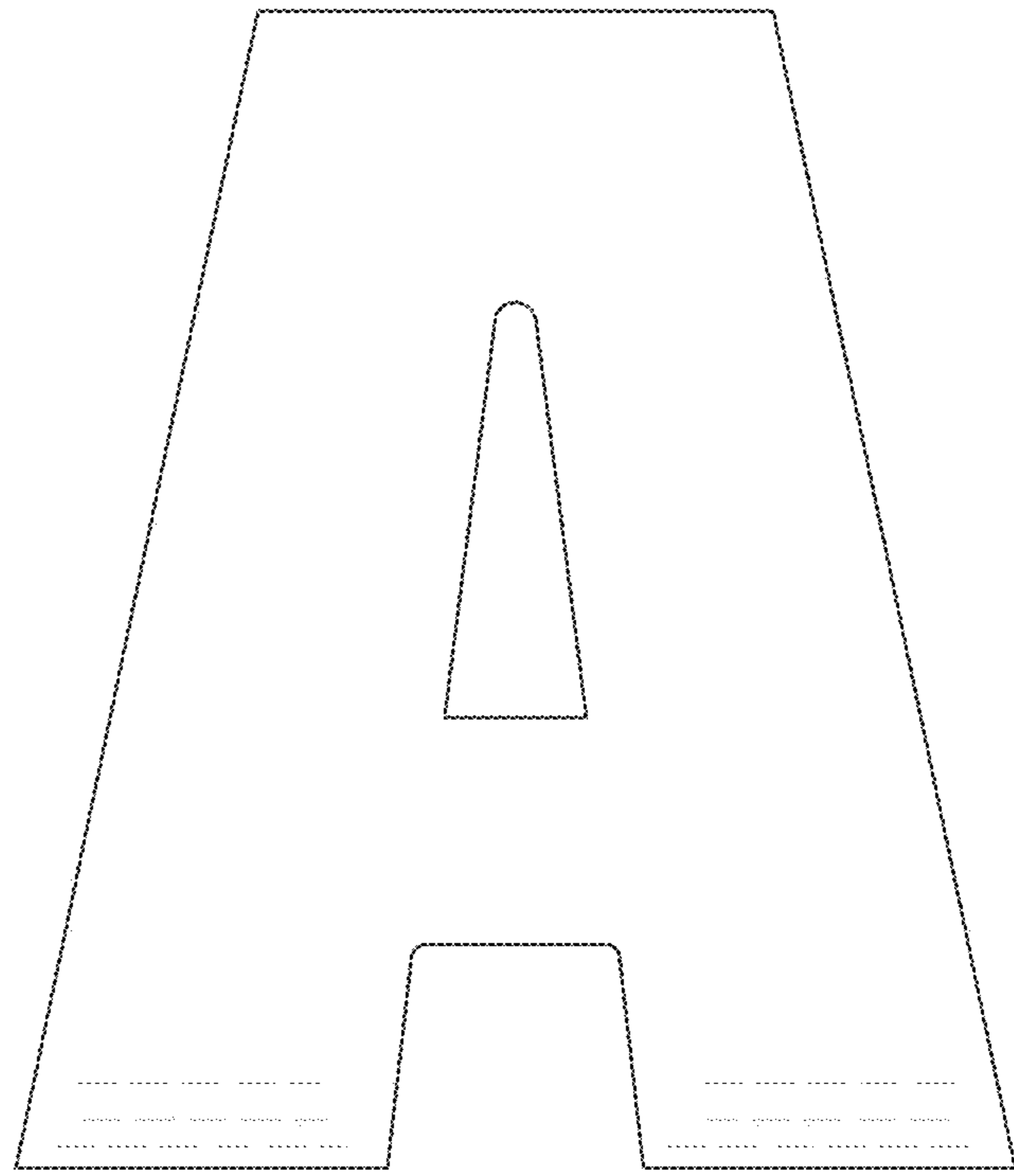


FIG. 5

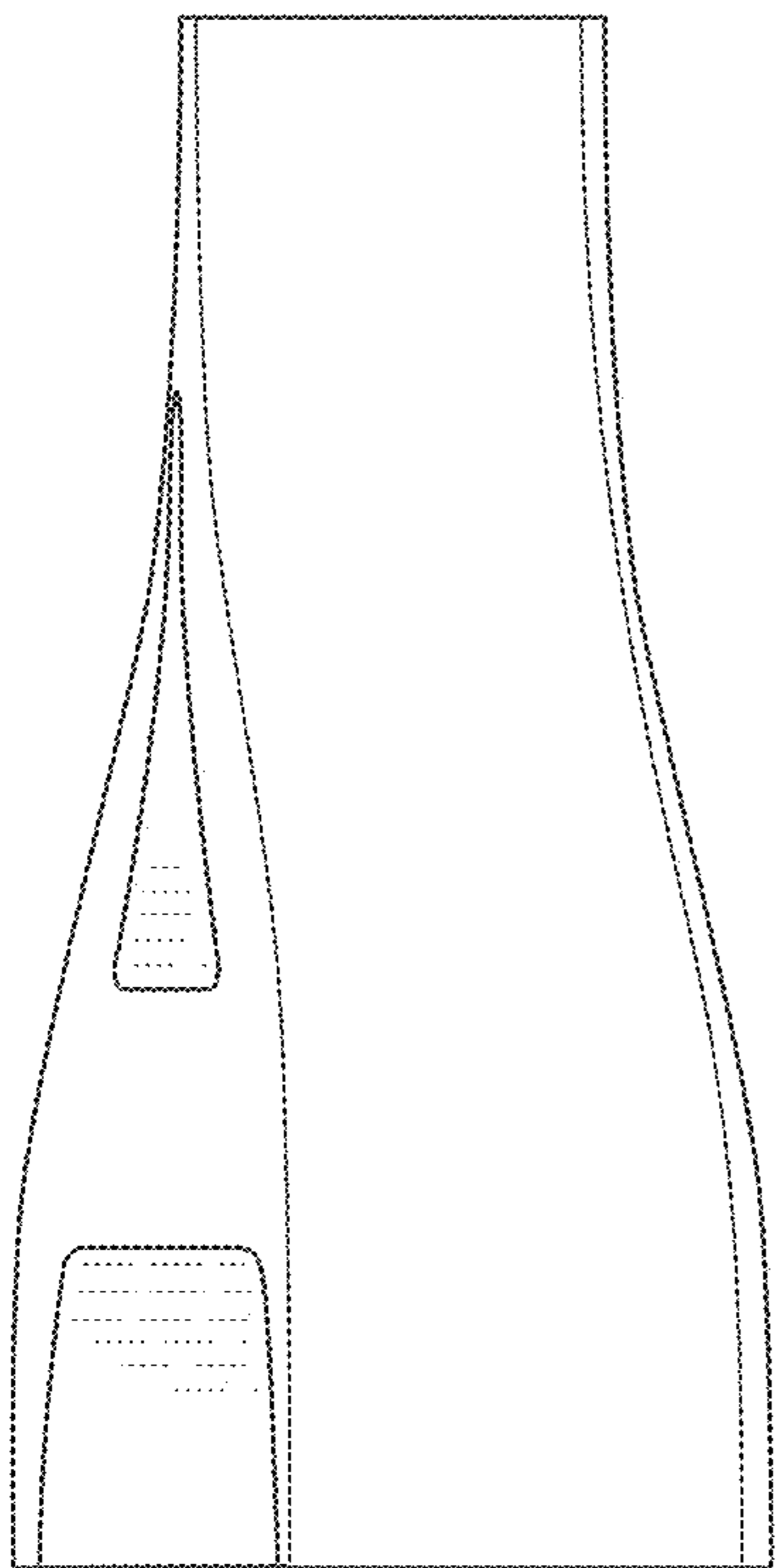


FIG. 6

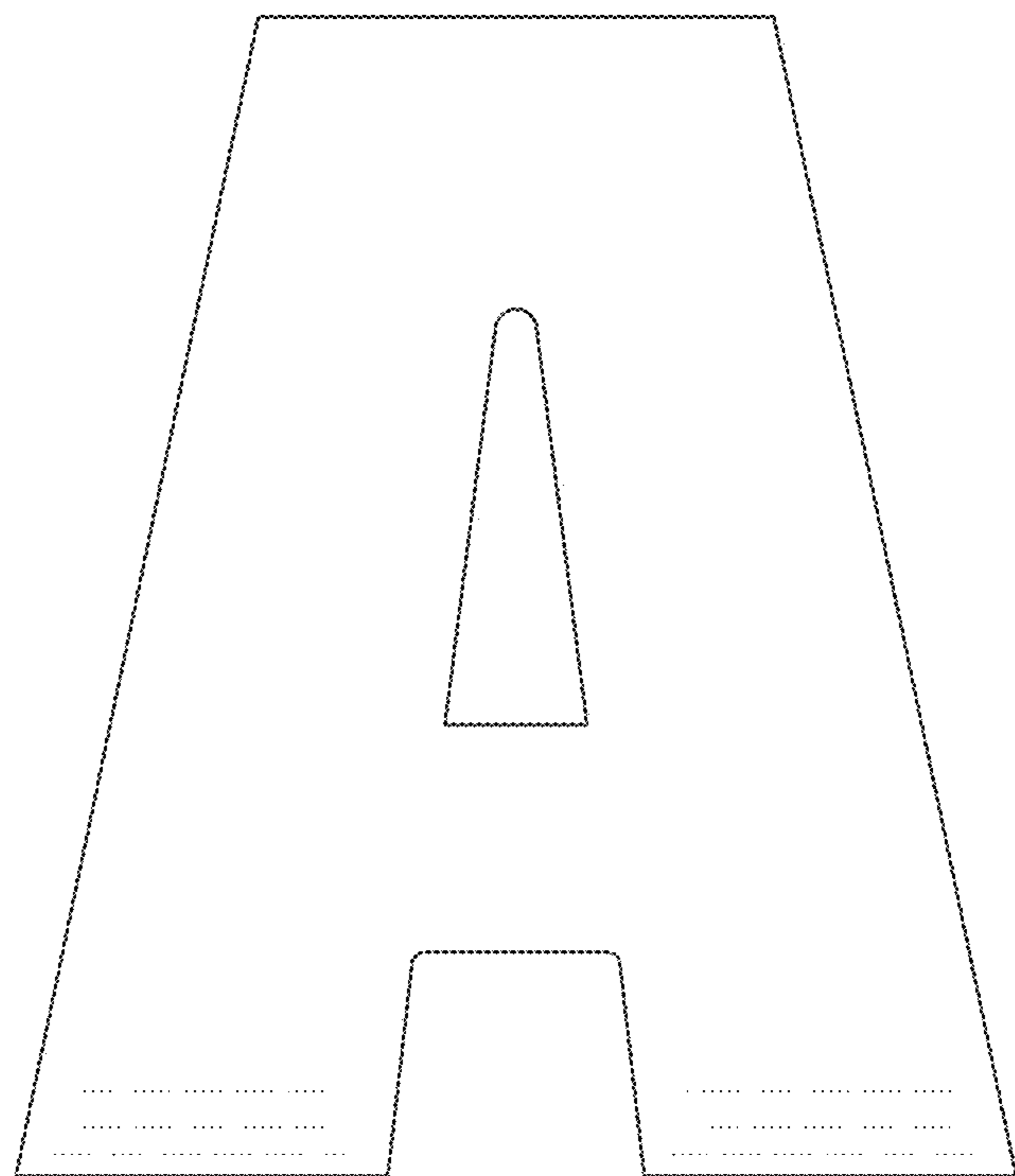


FIG. 7

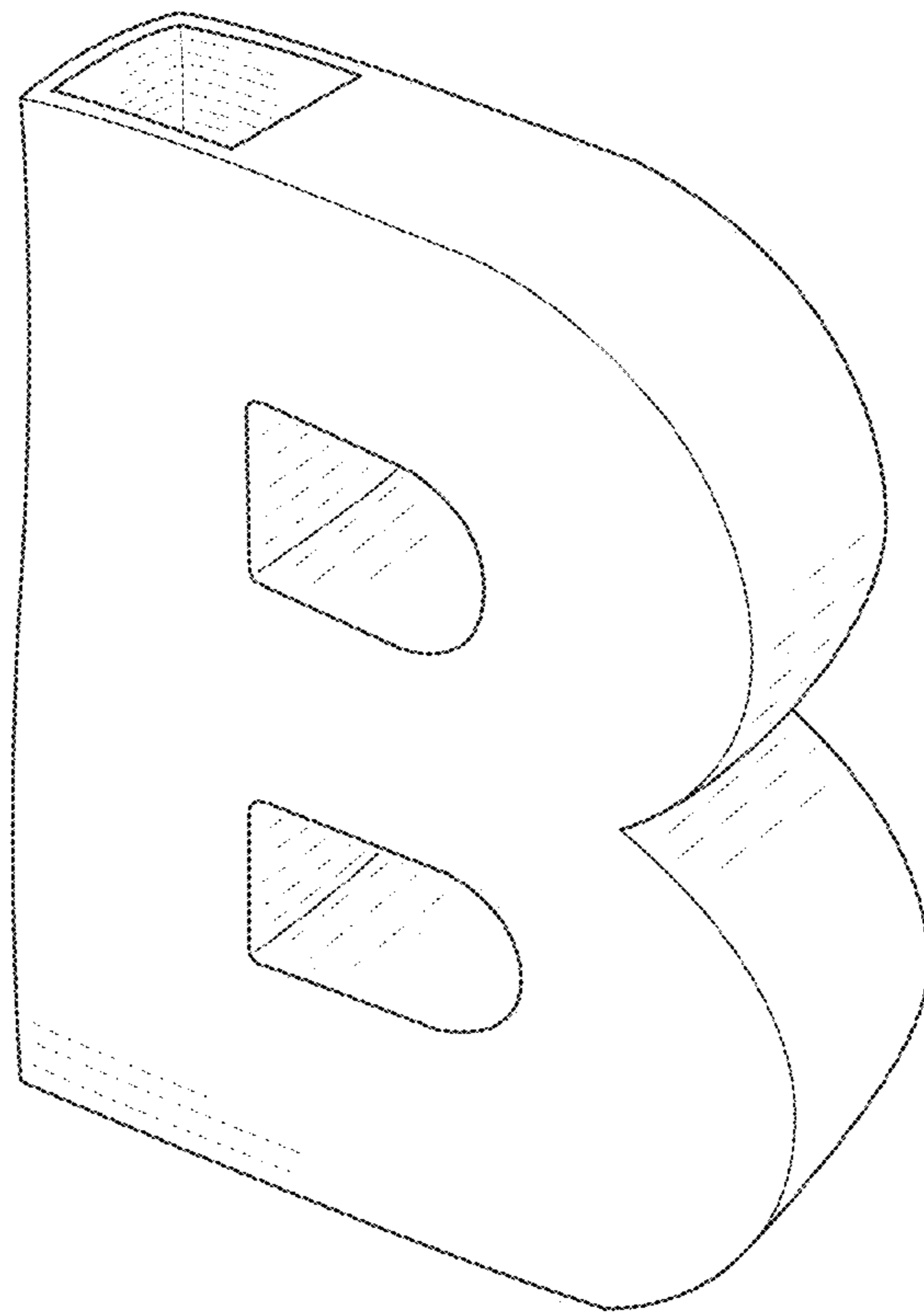


FIG. 8

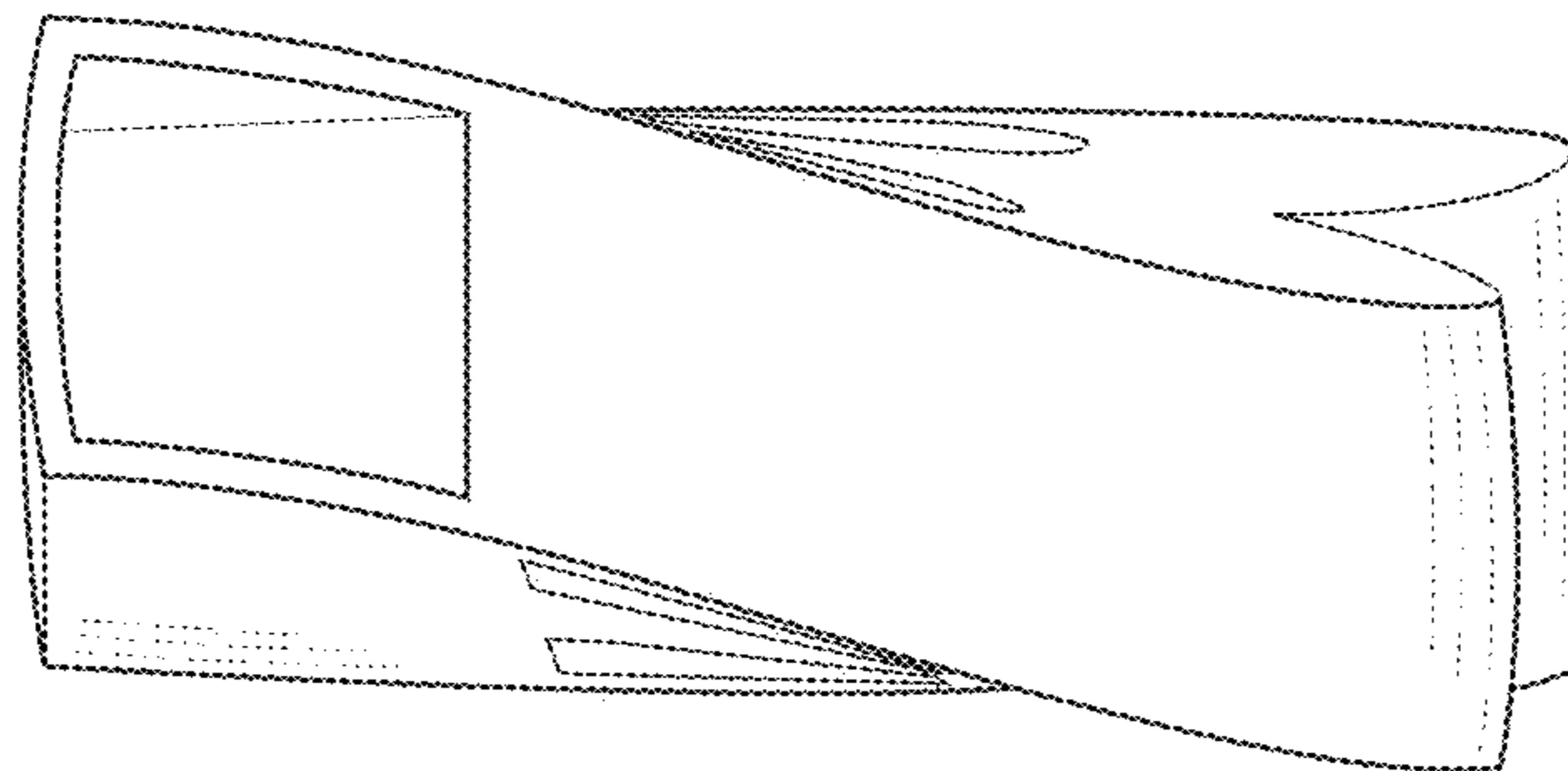


FIG. 9

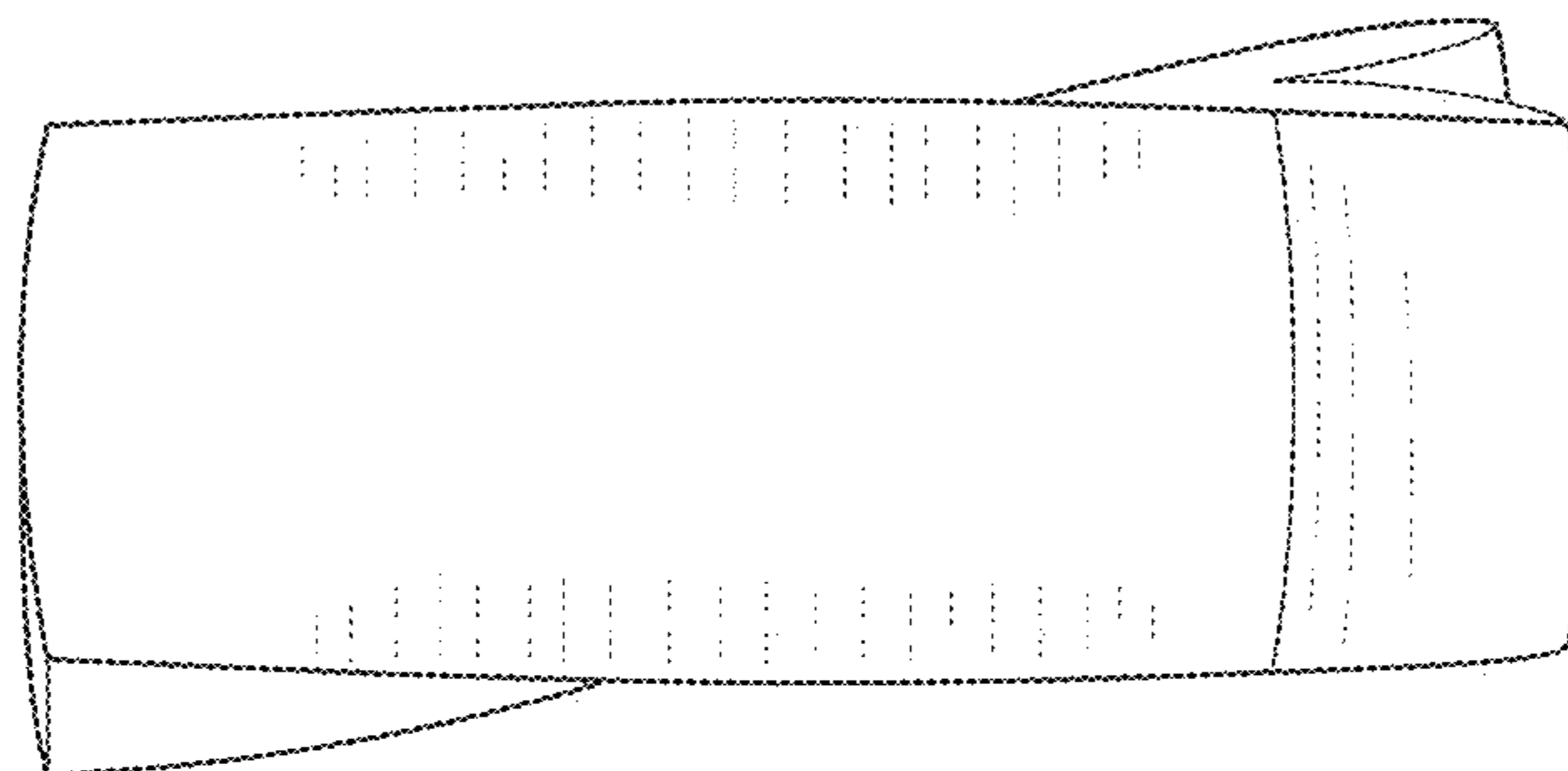


FIG. 10

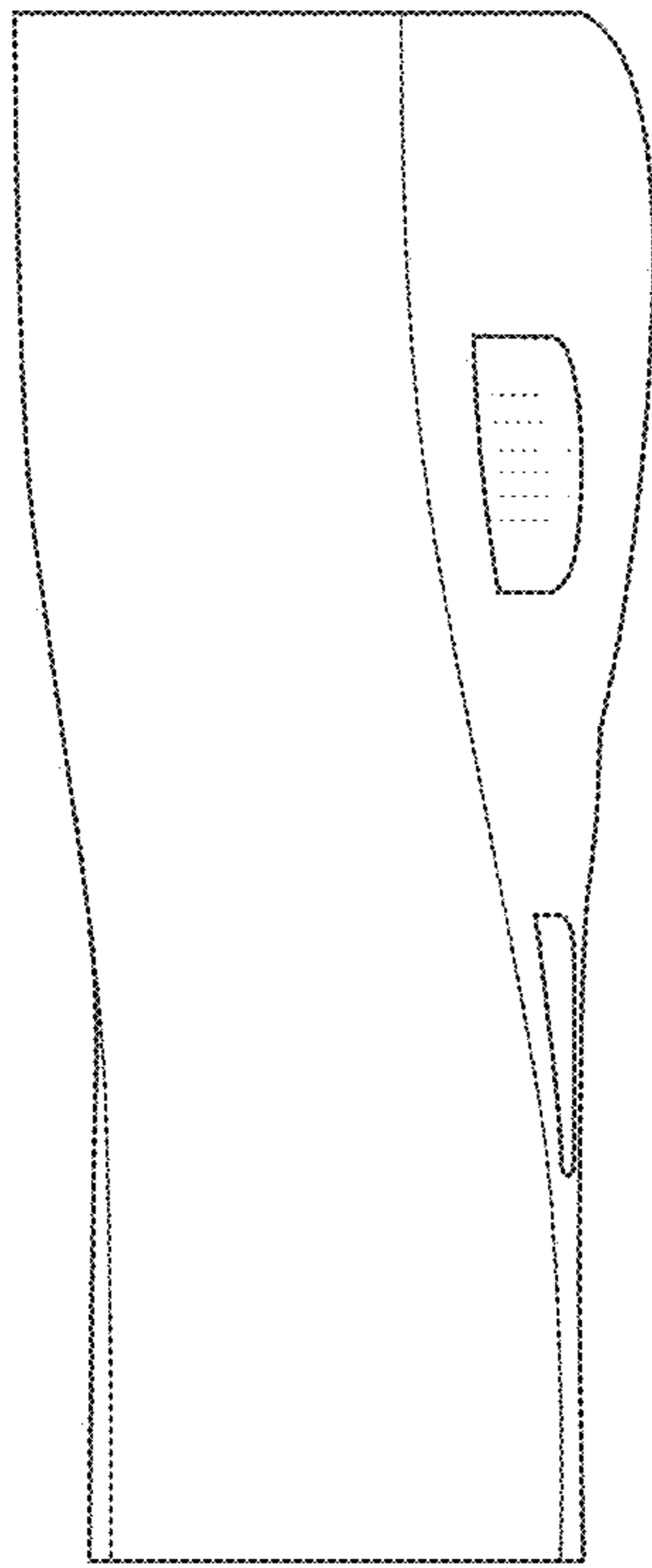


FIG. 11

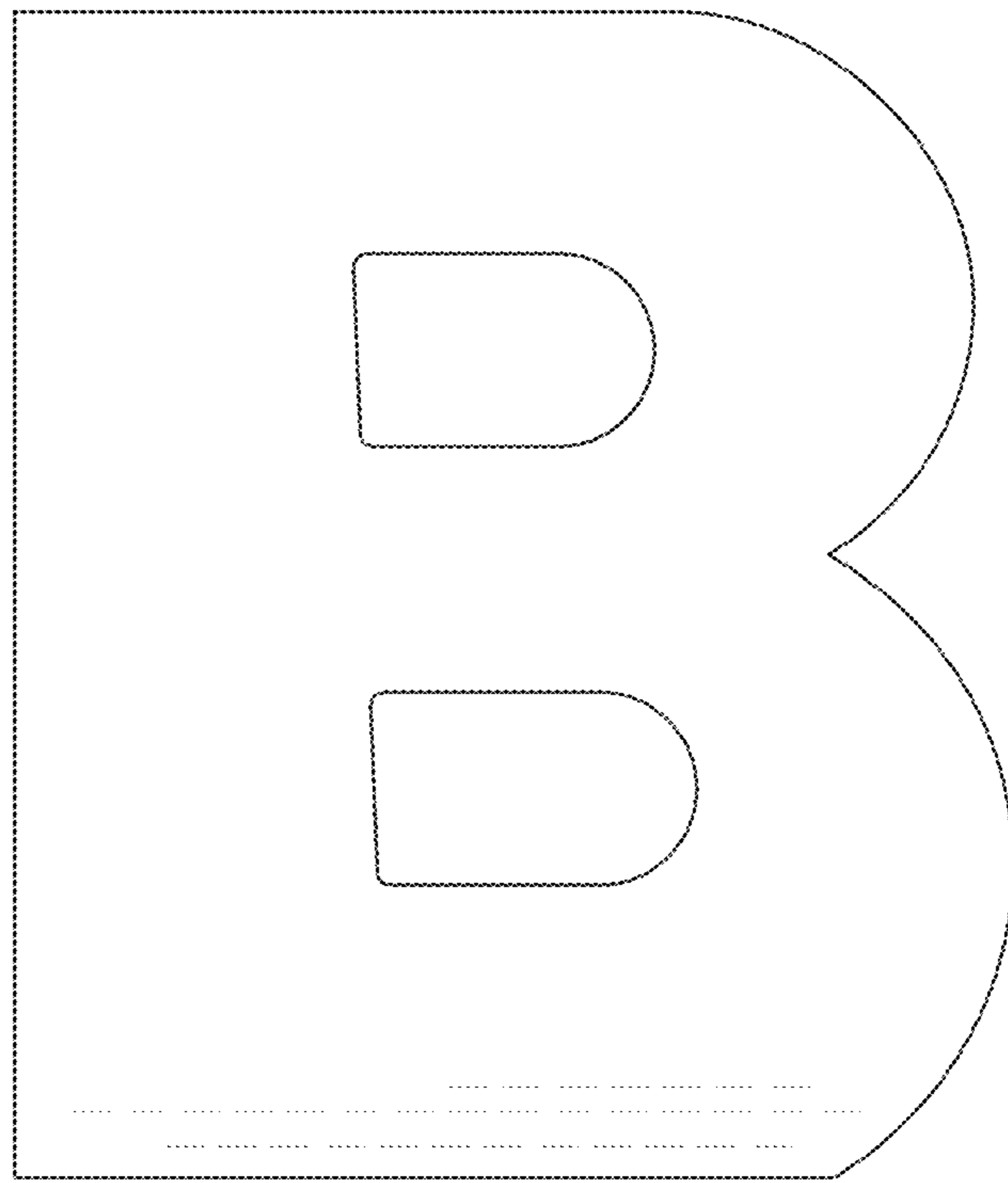


FIG. 12

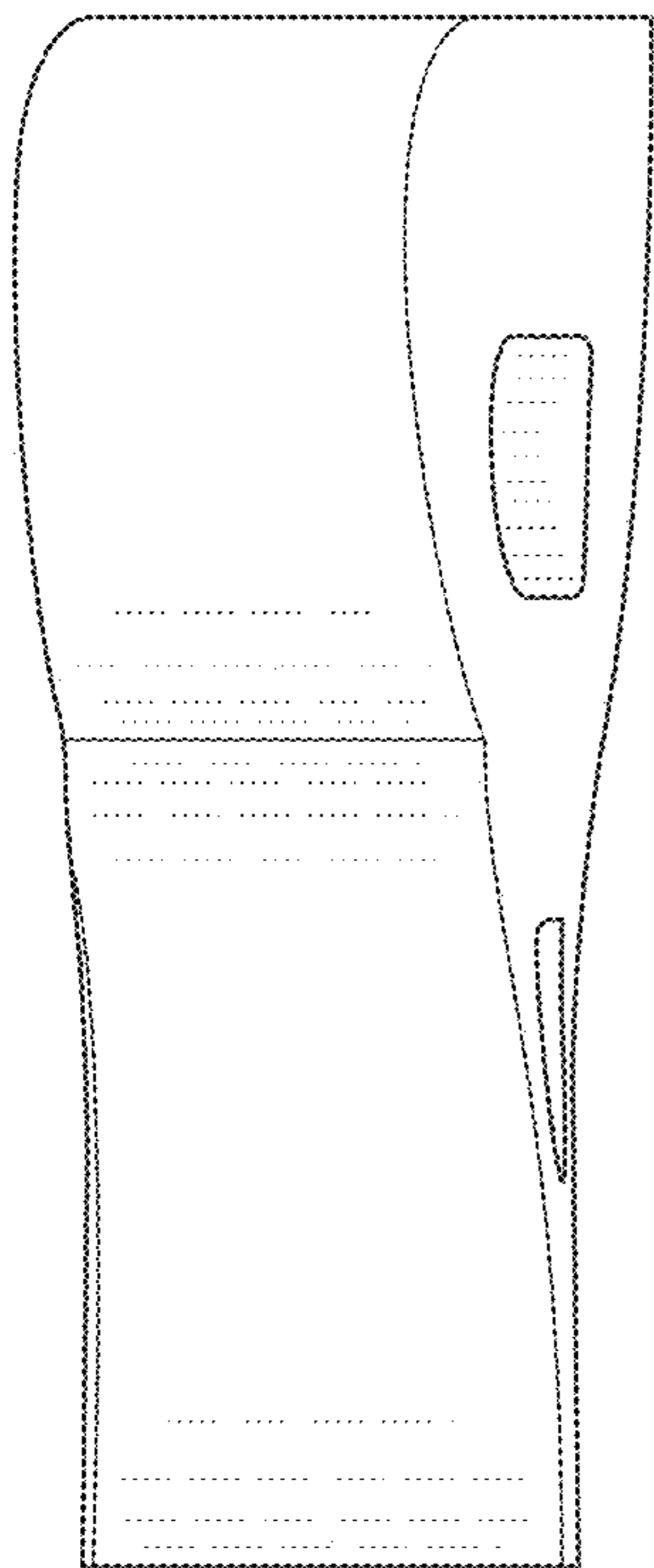


FIG. 13

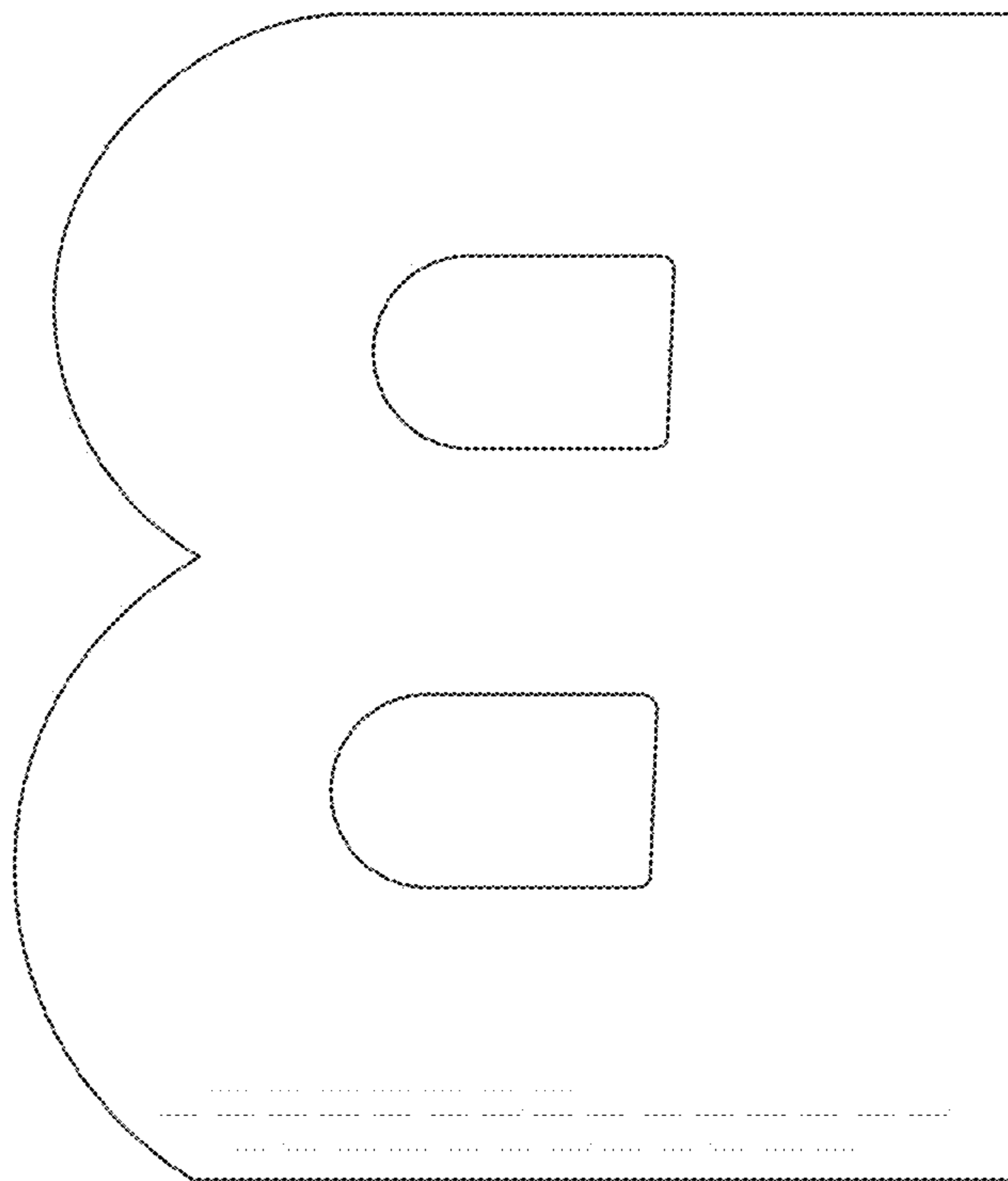


FIG. 14

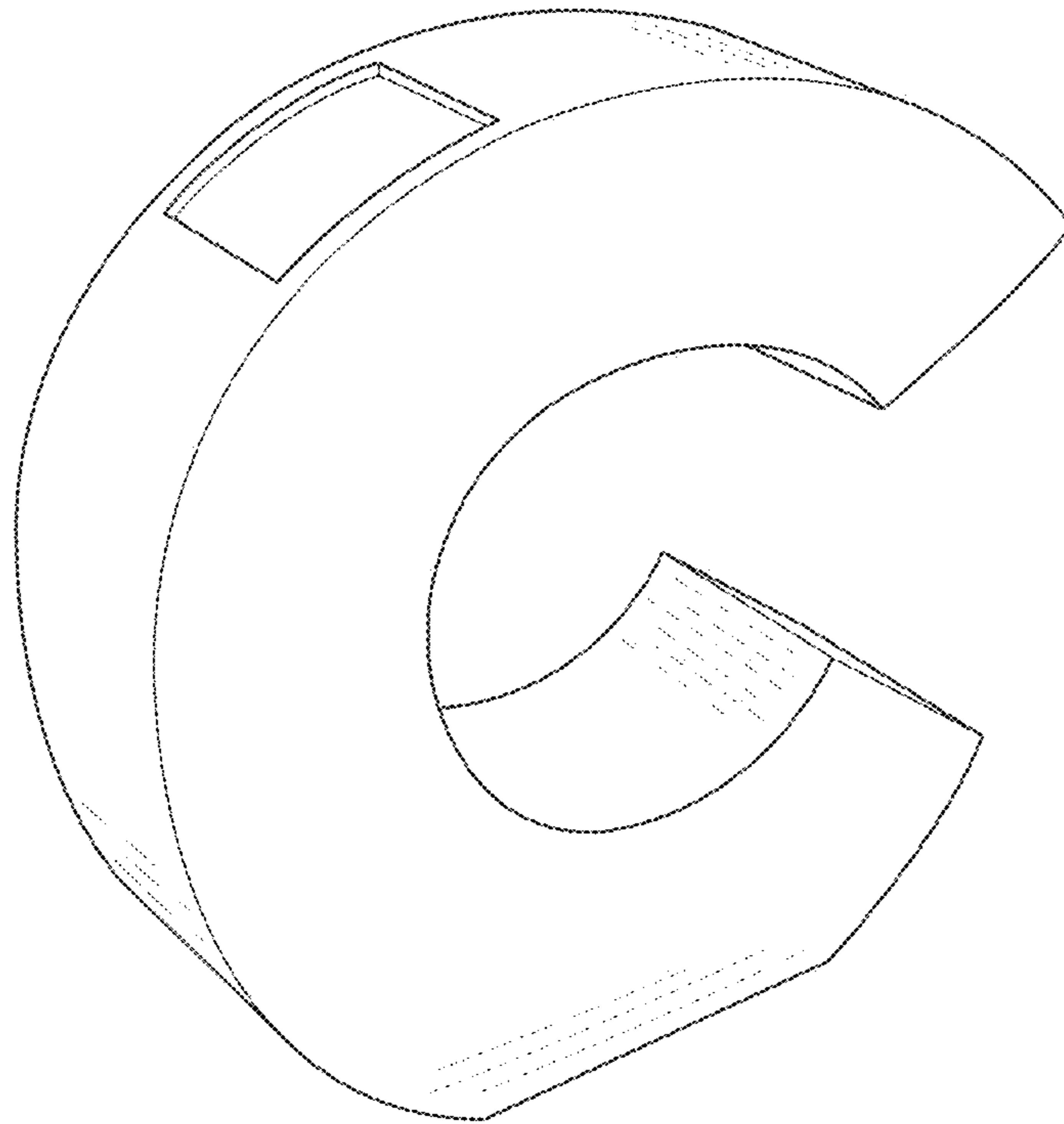


FIG. 15

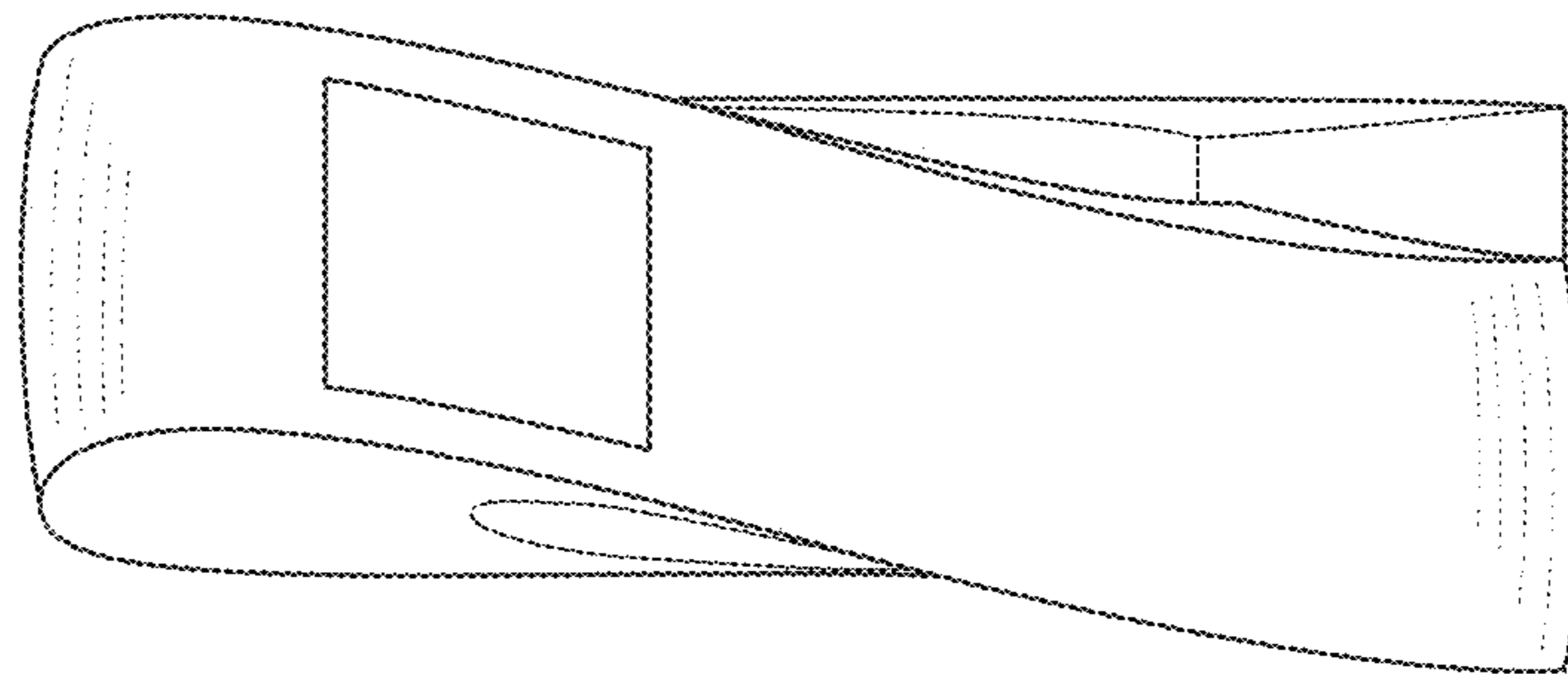


FIG. 16

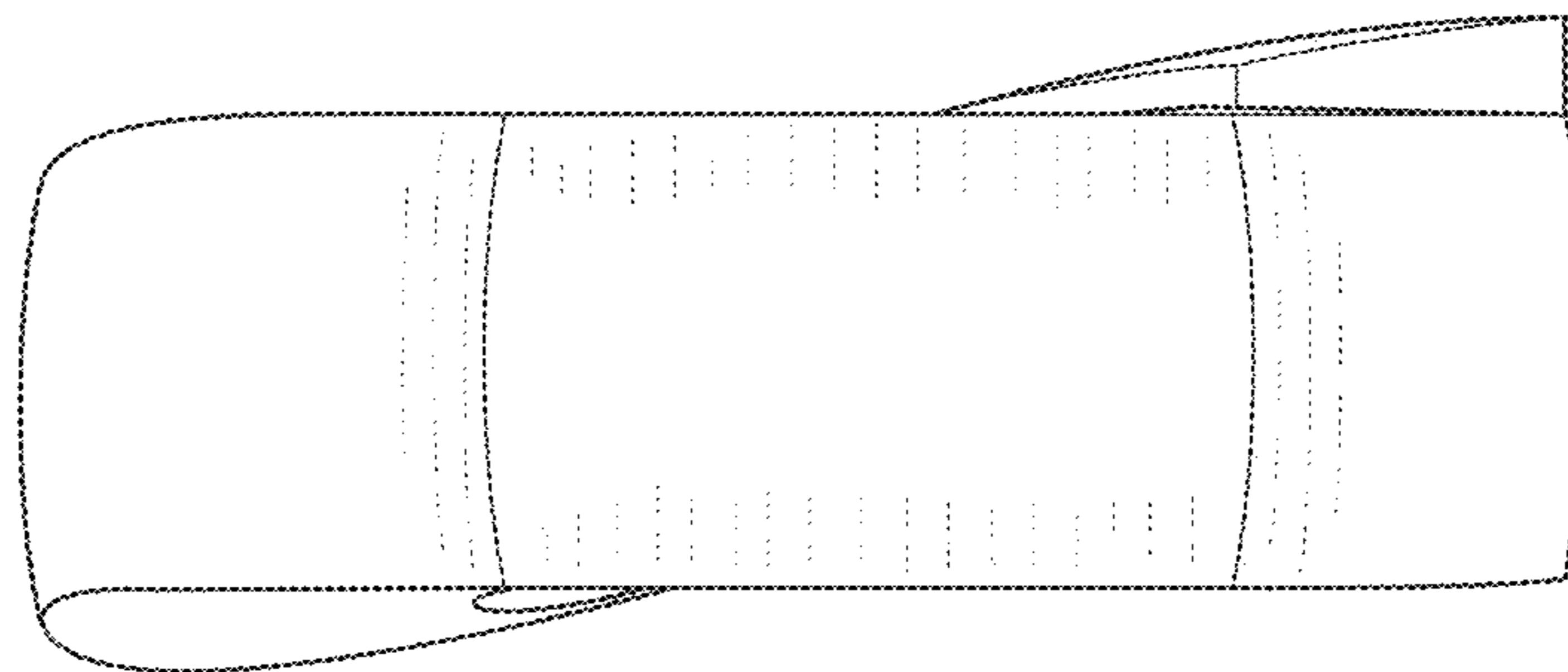


FIG. 17



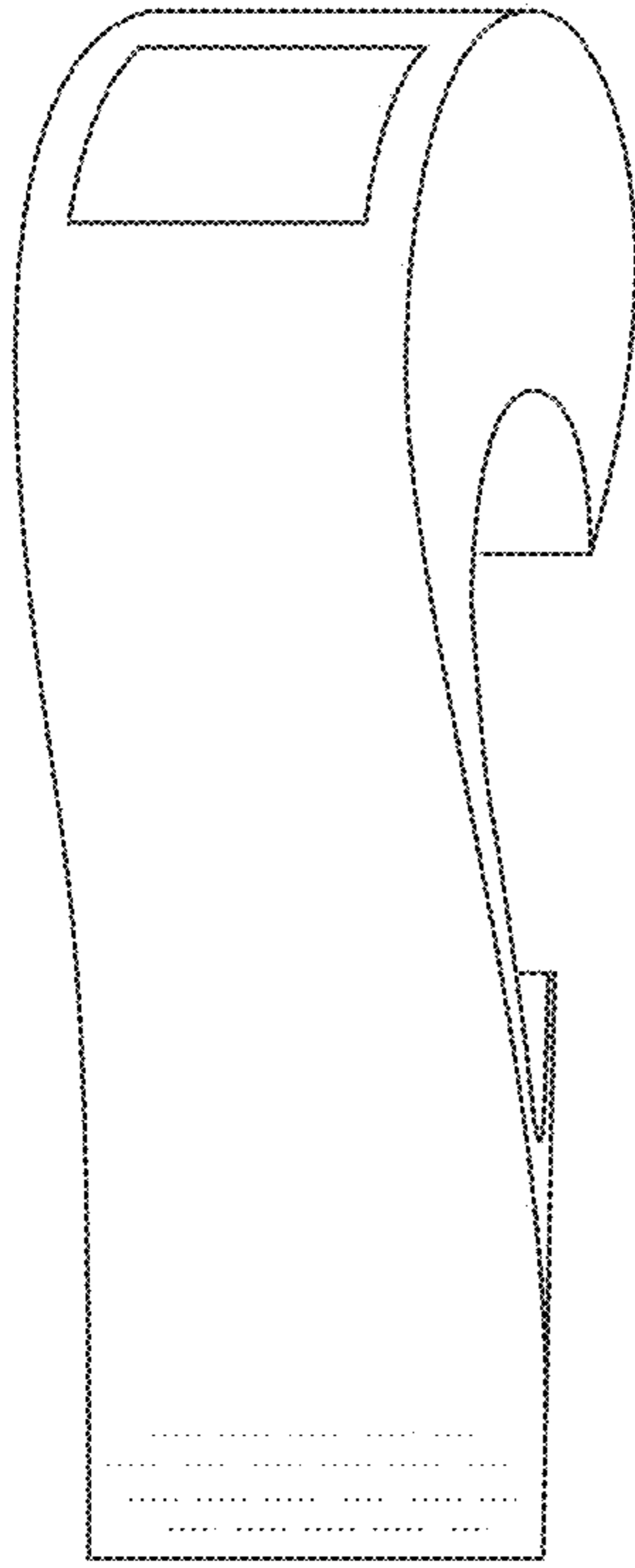


FIG. 18

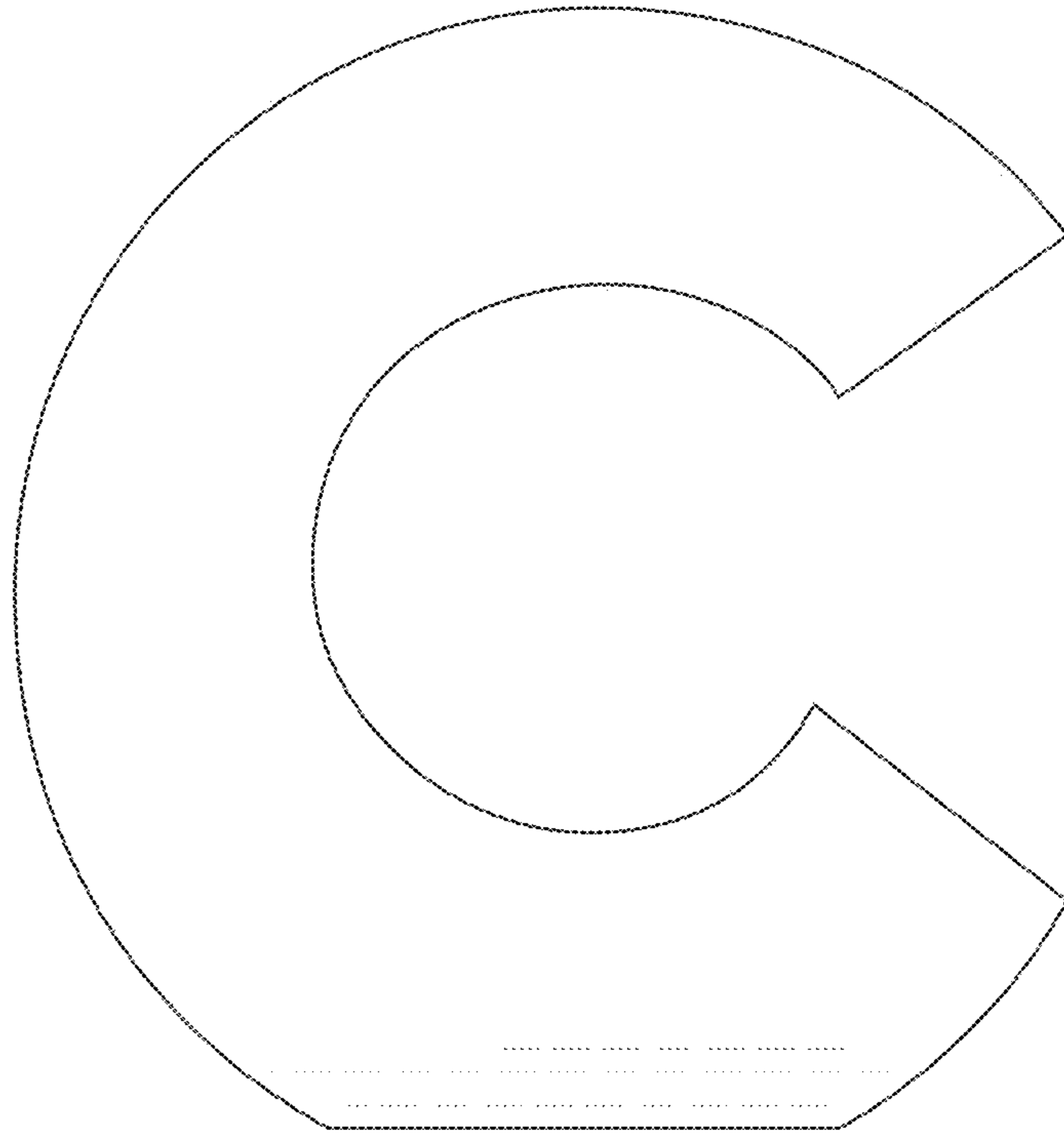


FIG. 19

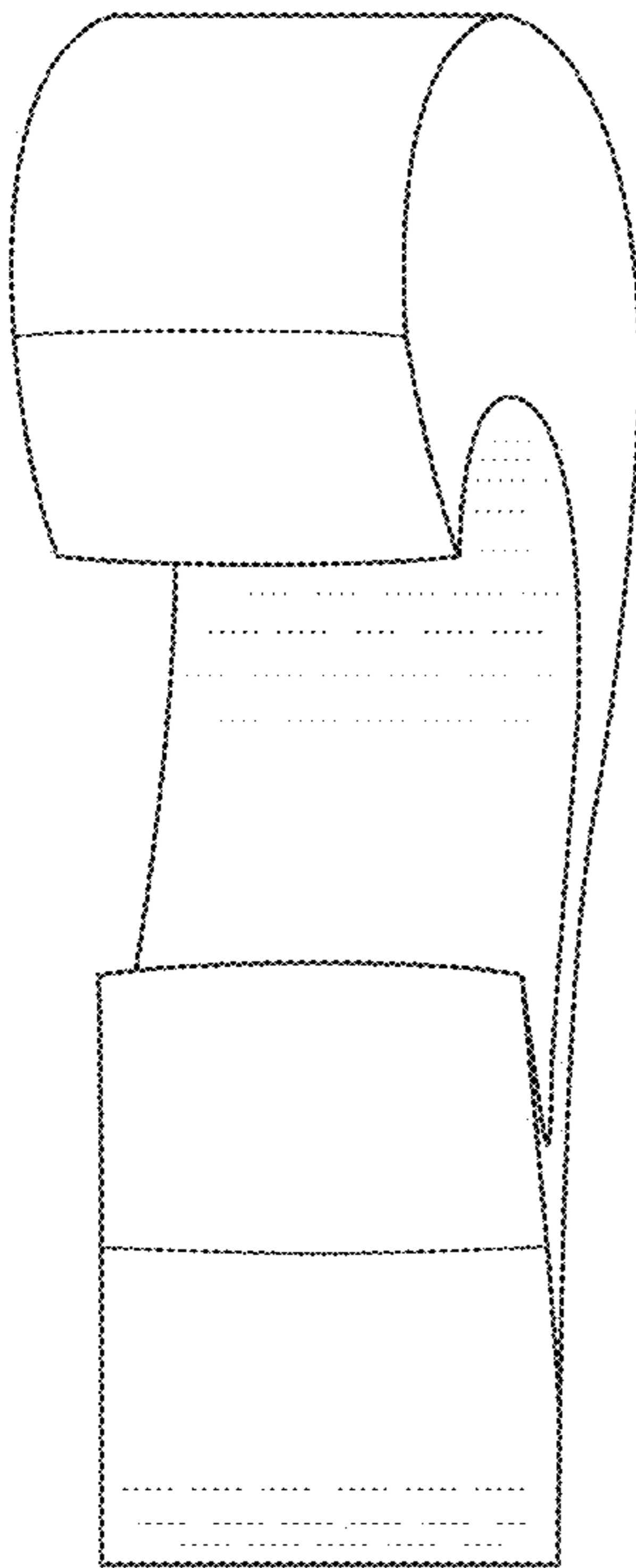


FIG. 20

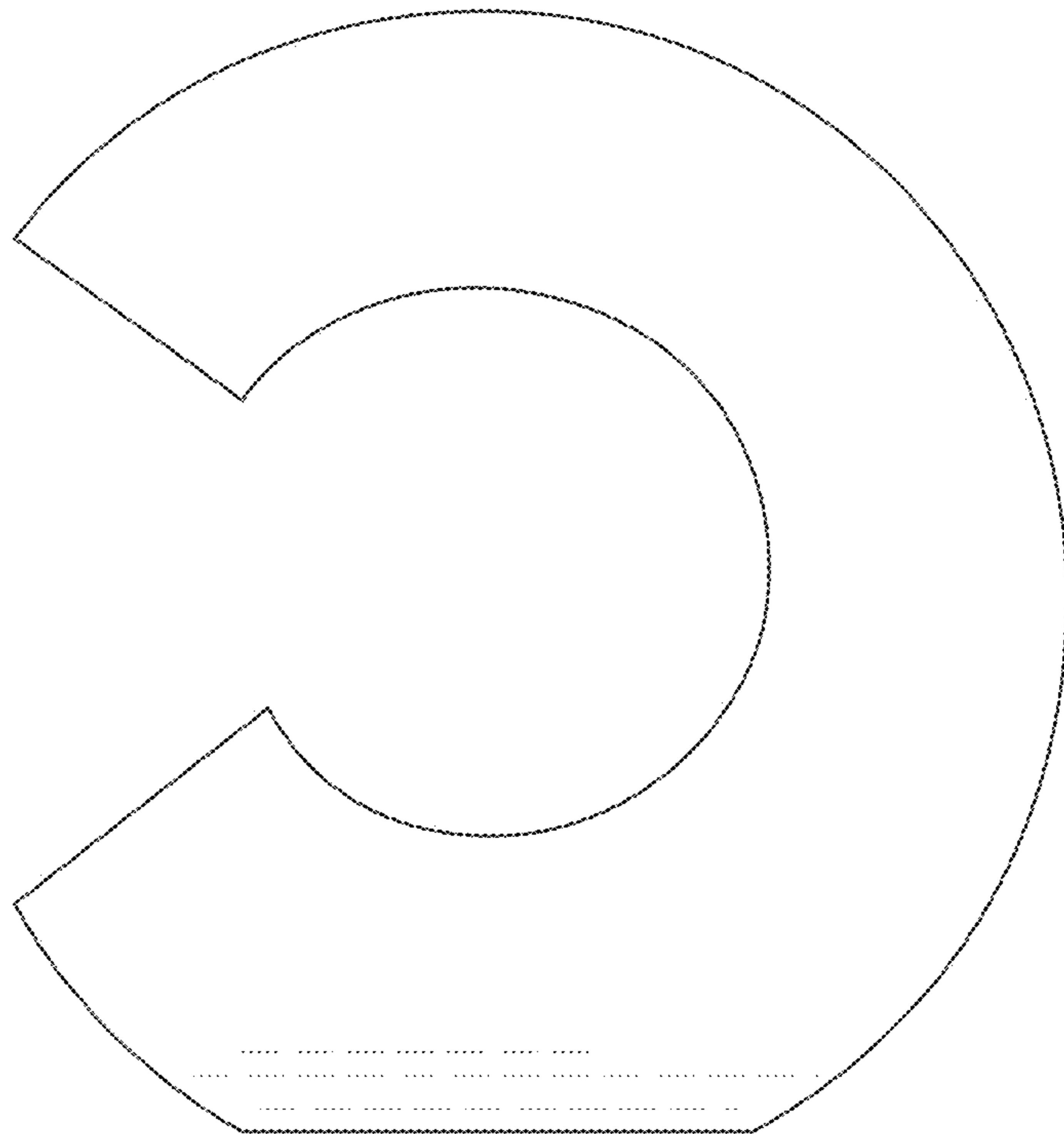


FIG. 21

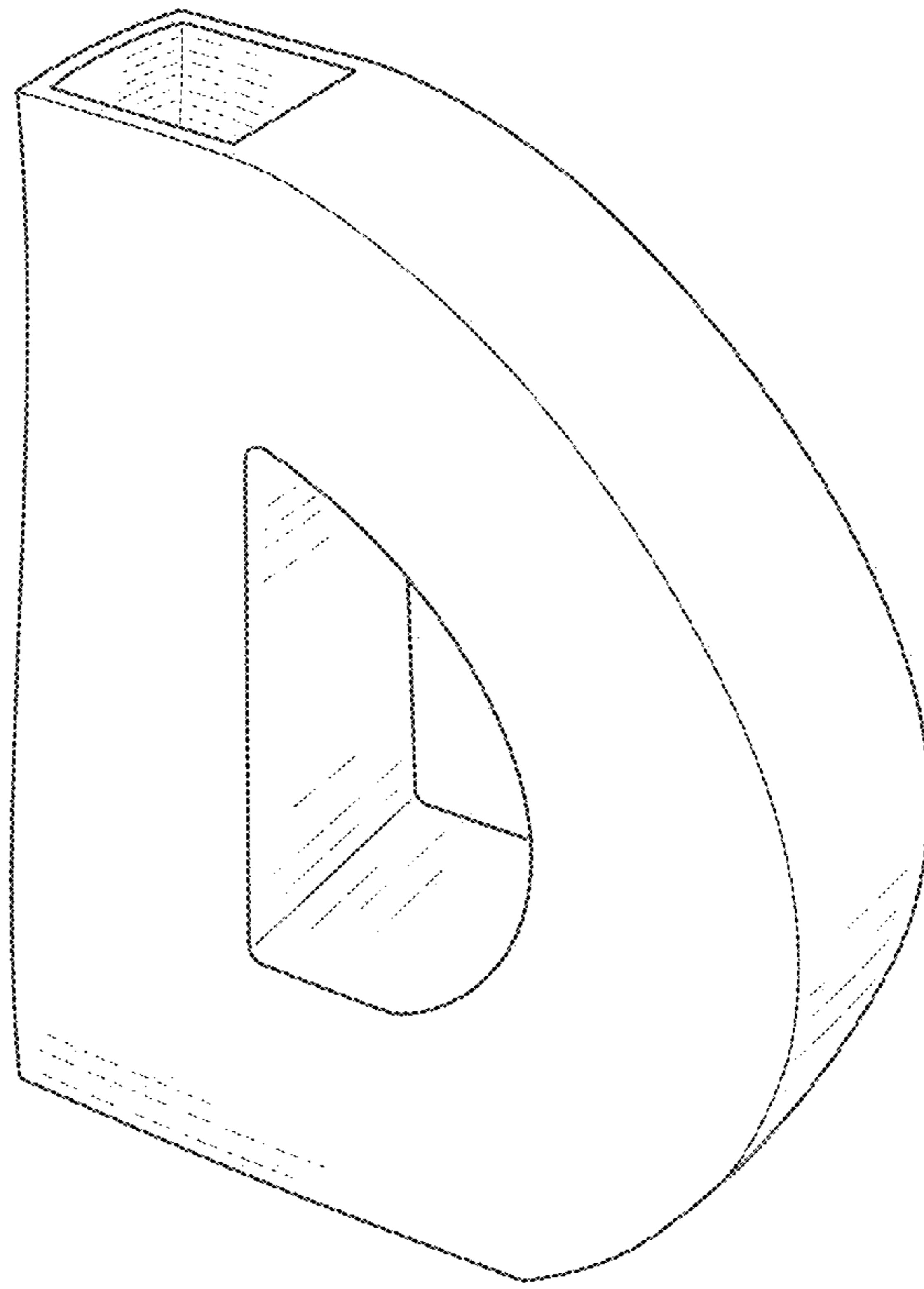


FIG. 22

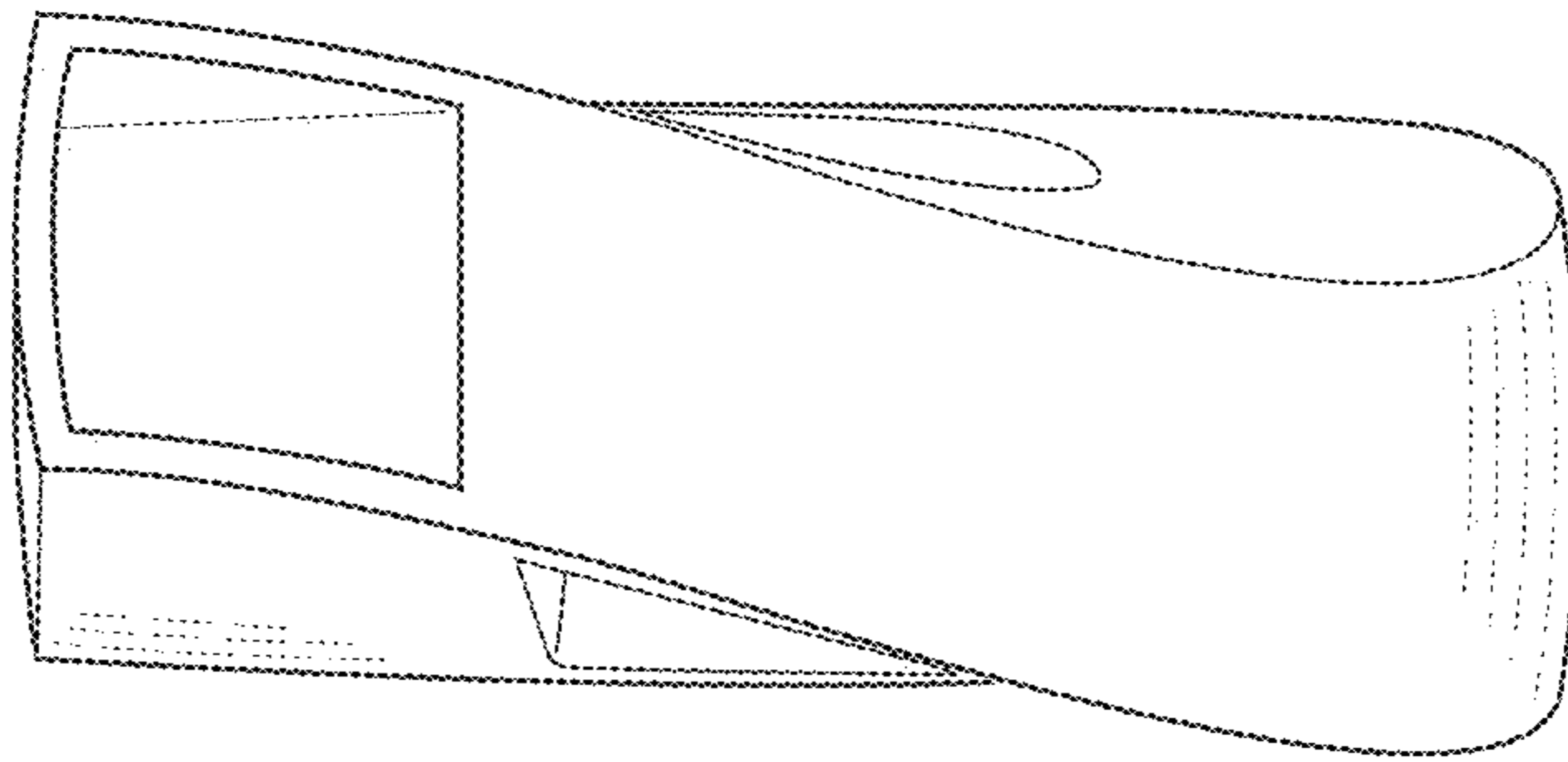


FIG. 23

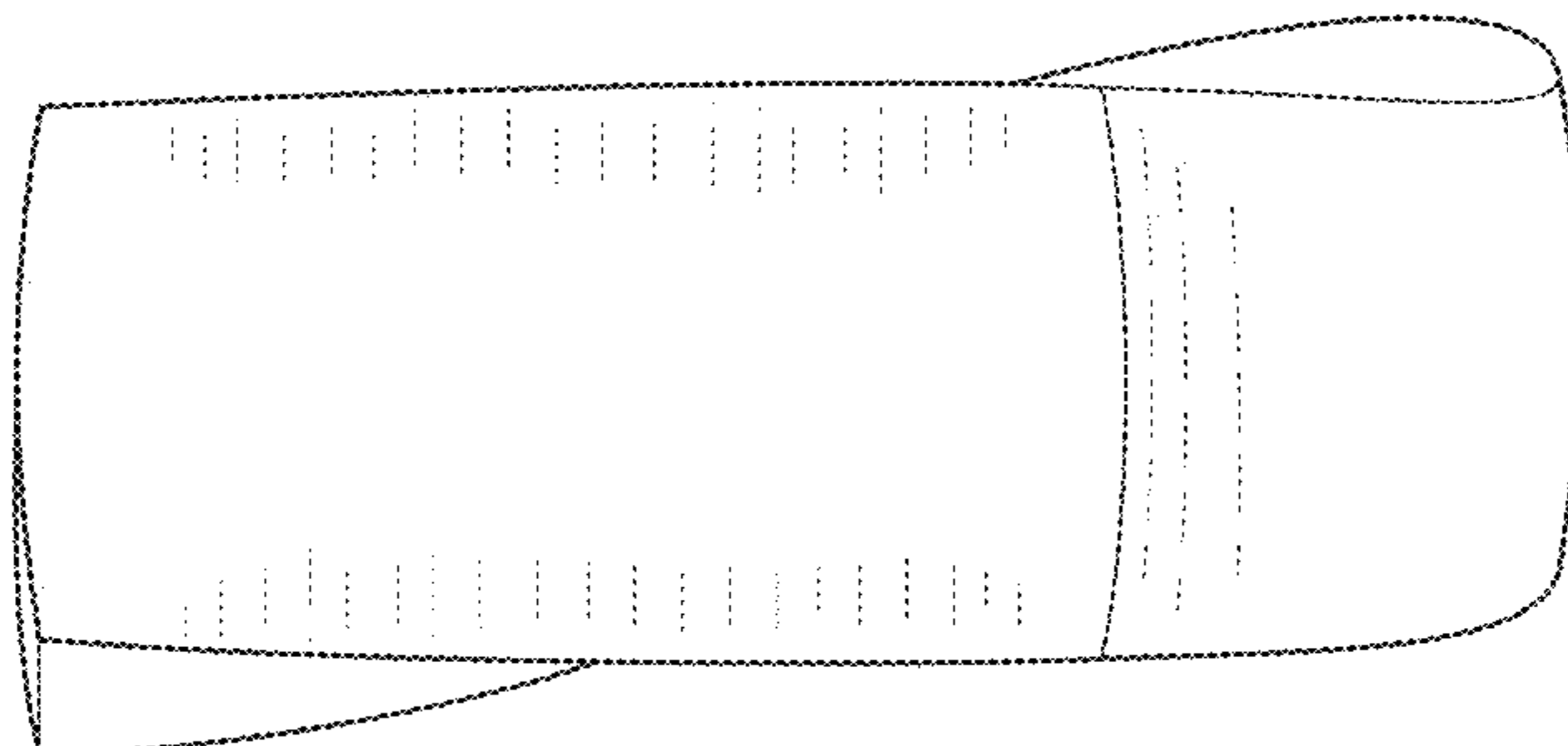


FIG. 24

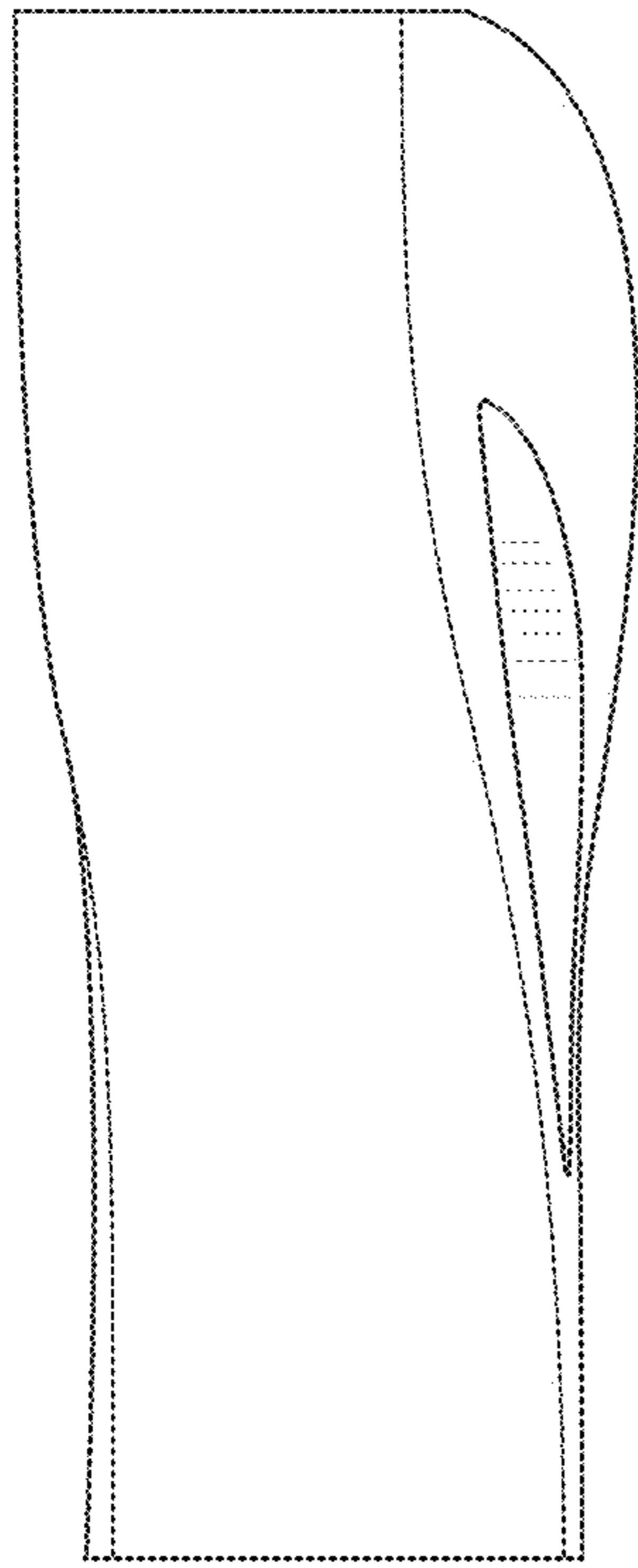


FIG. 25

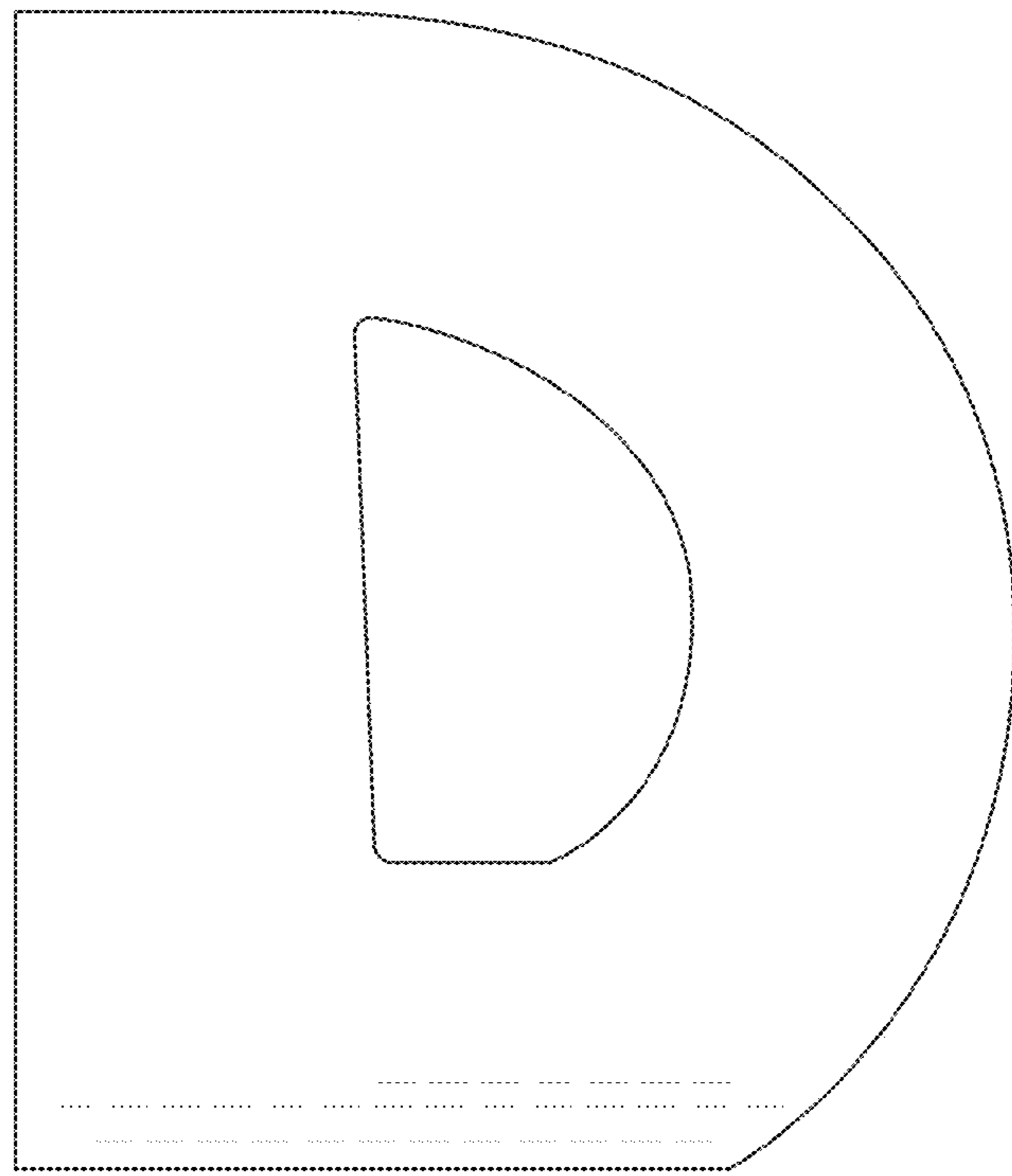


FIG. 26

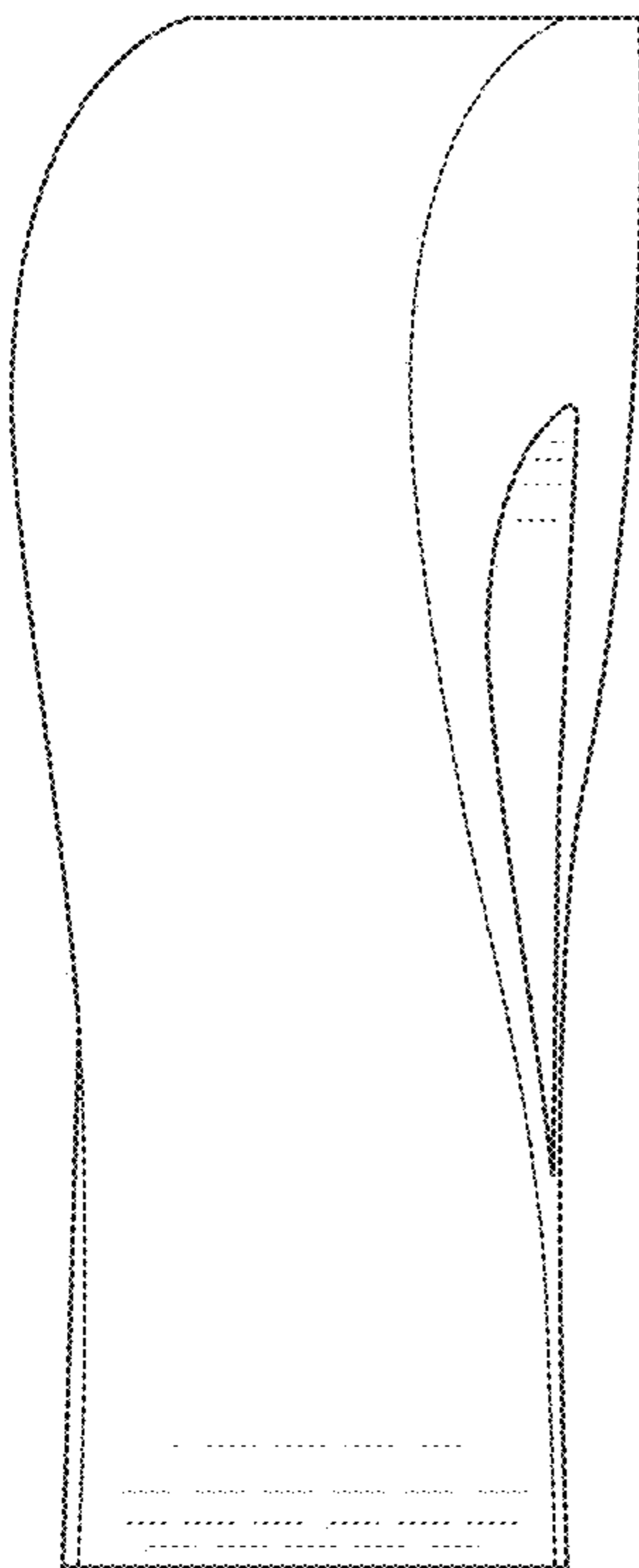


FIG. 27

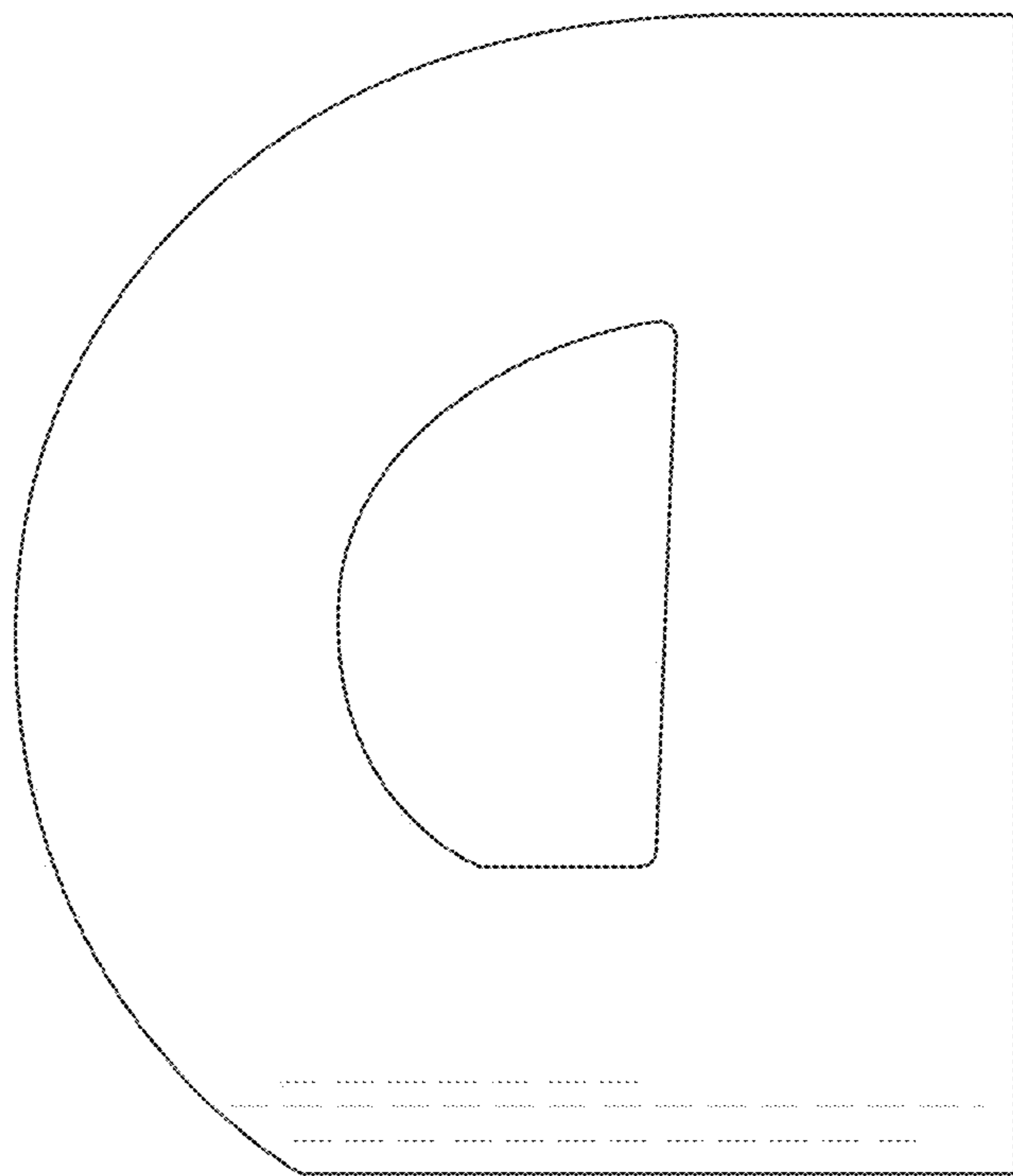


FIG. 28

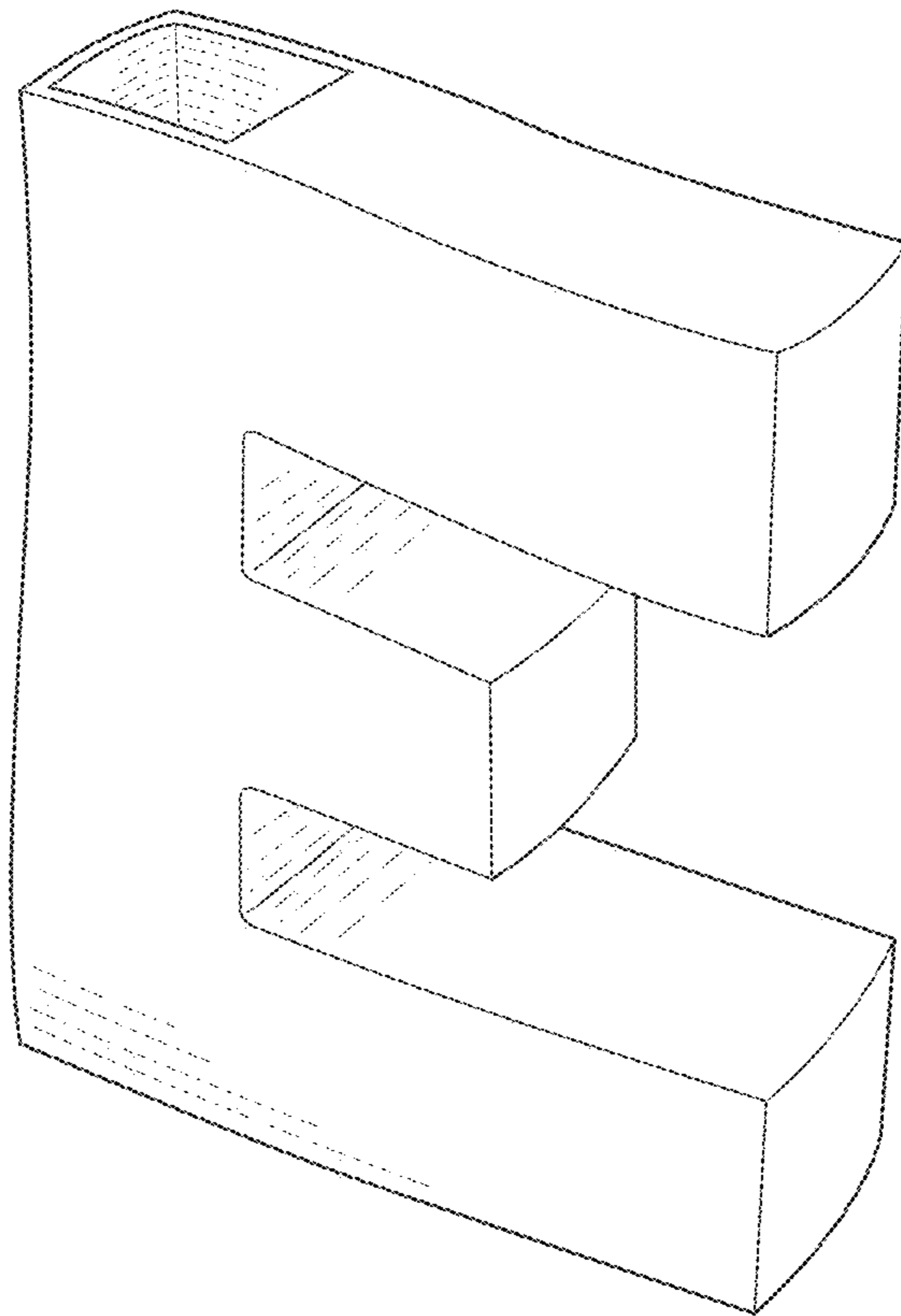


FIG. 29

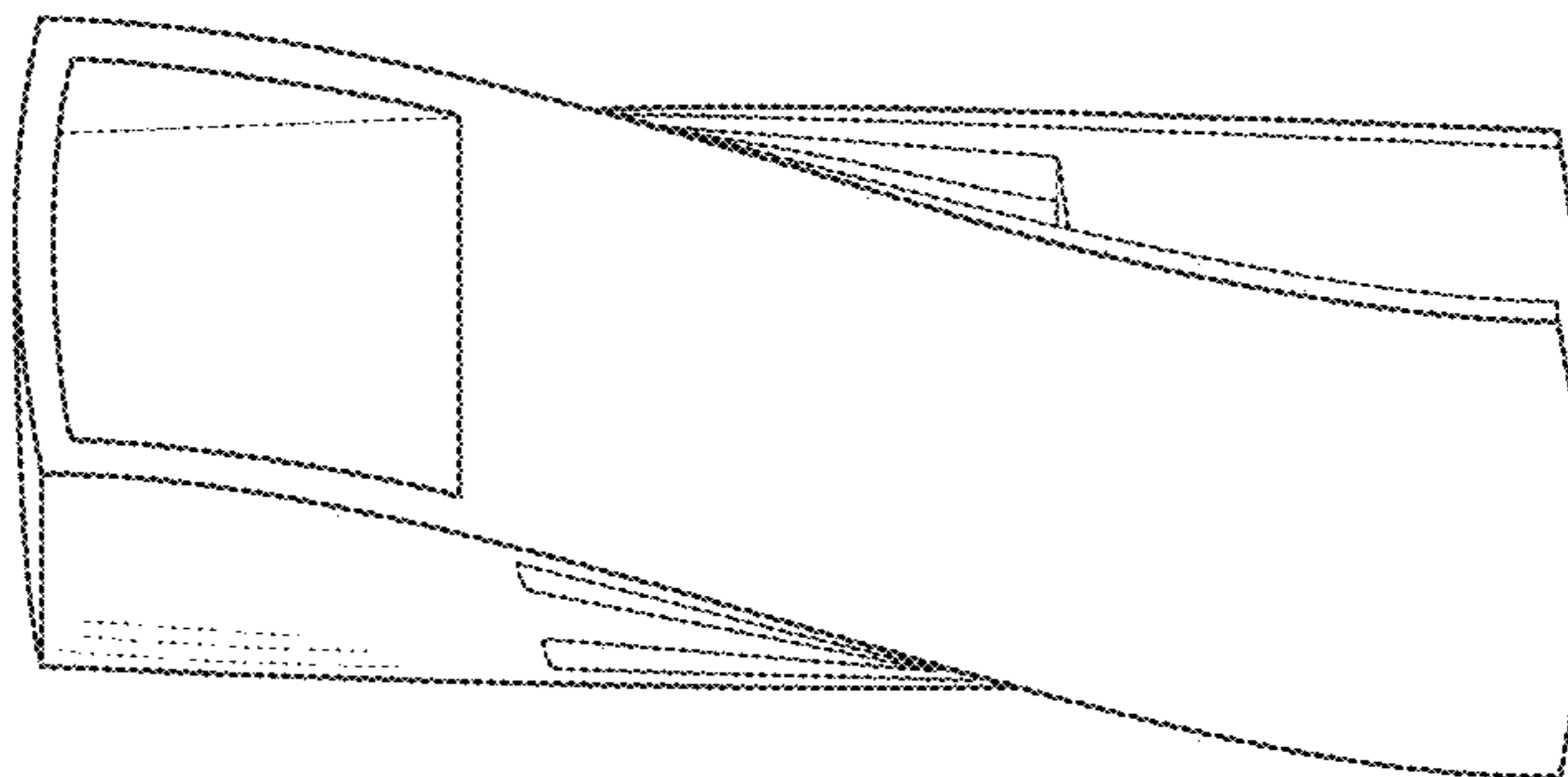


FIG. 30

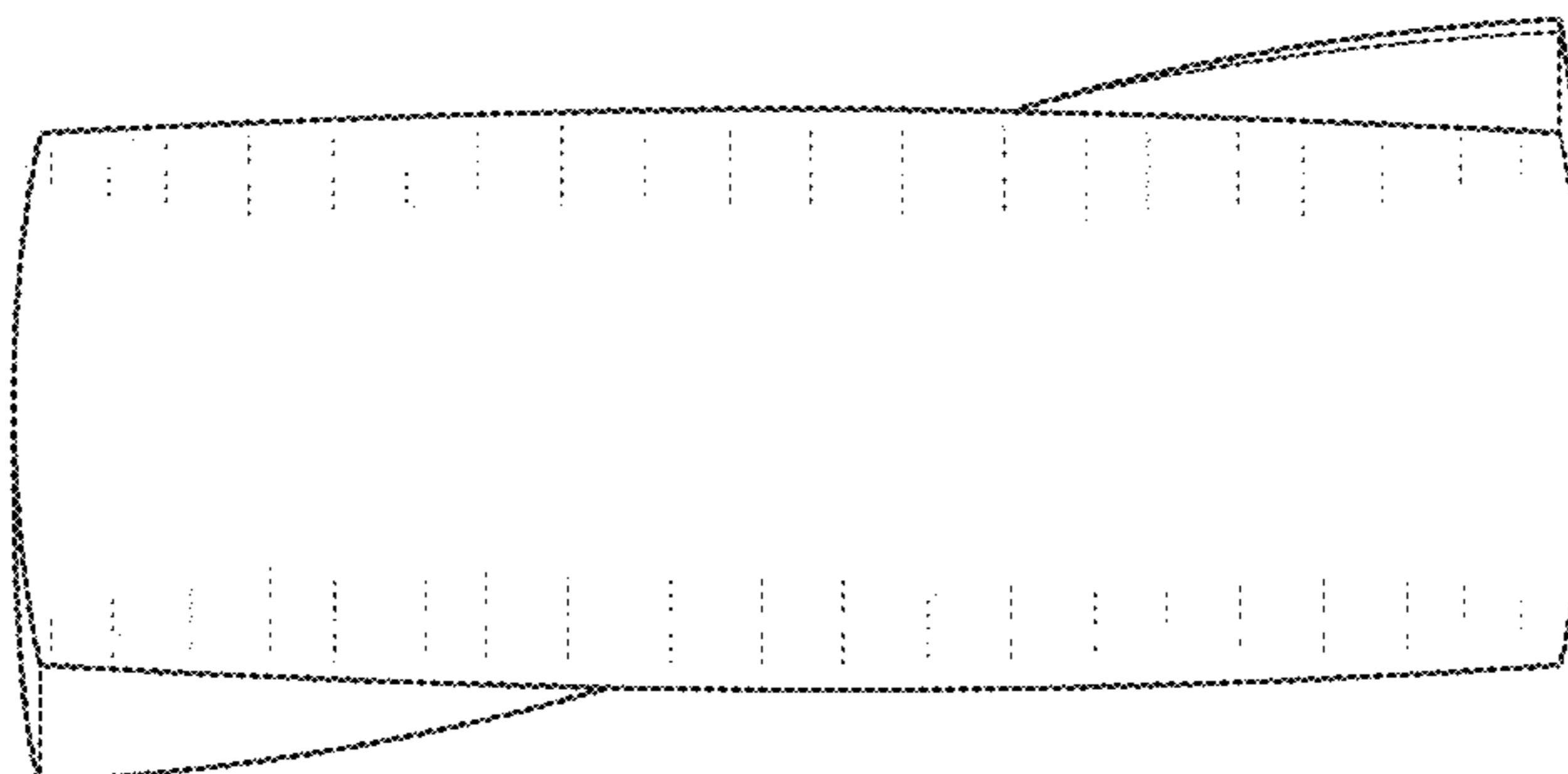


FIG. 31

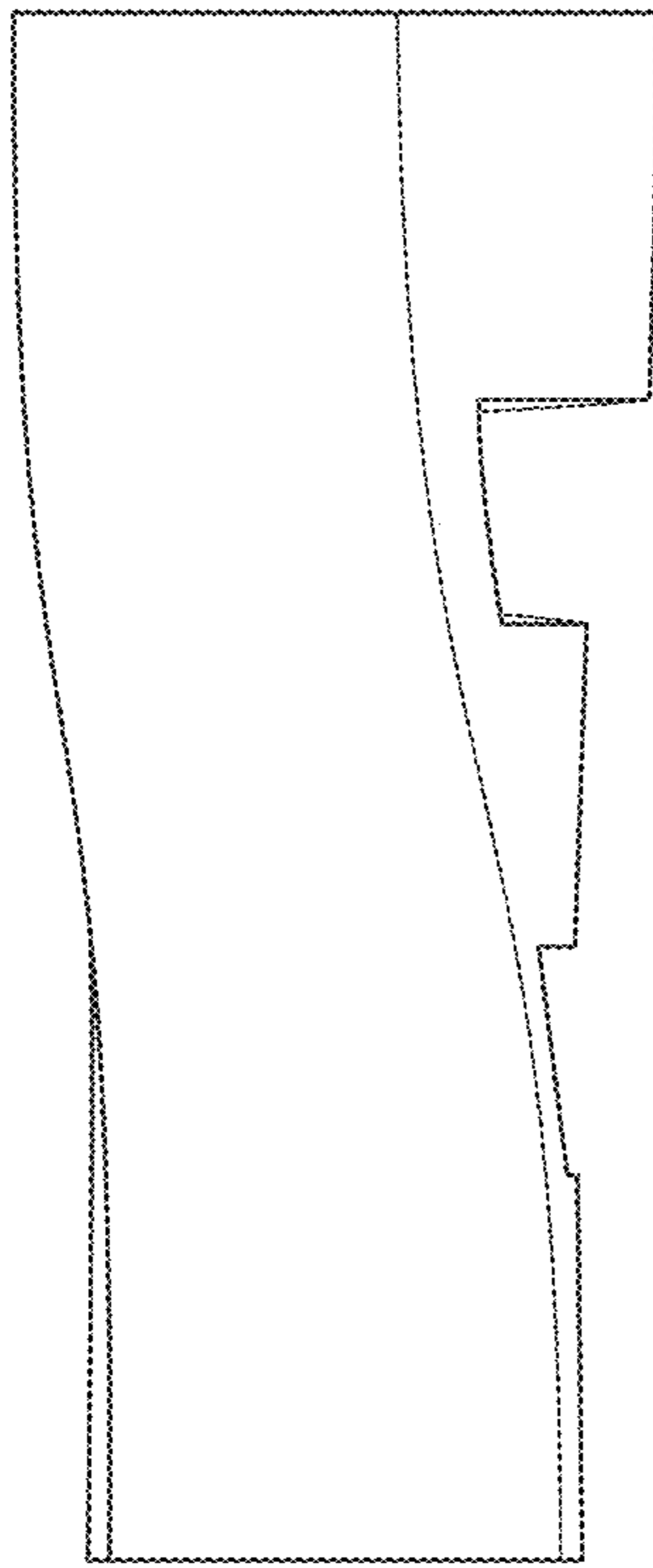


FIG. 32

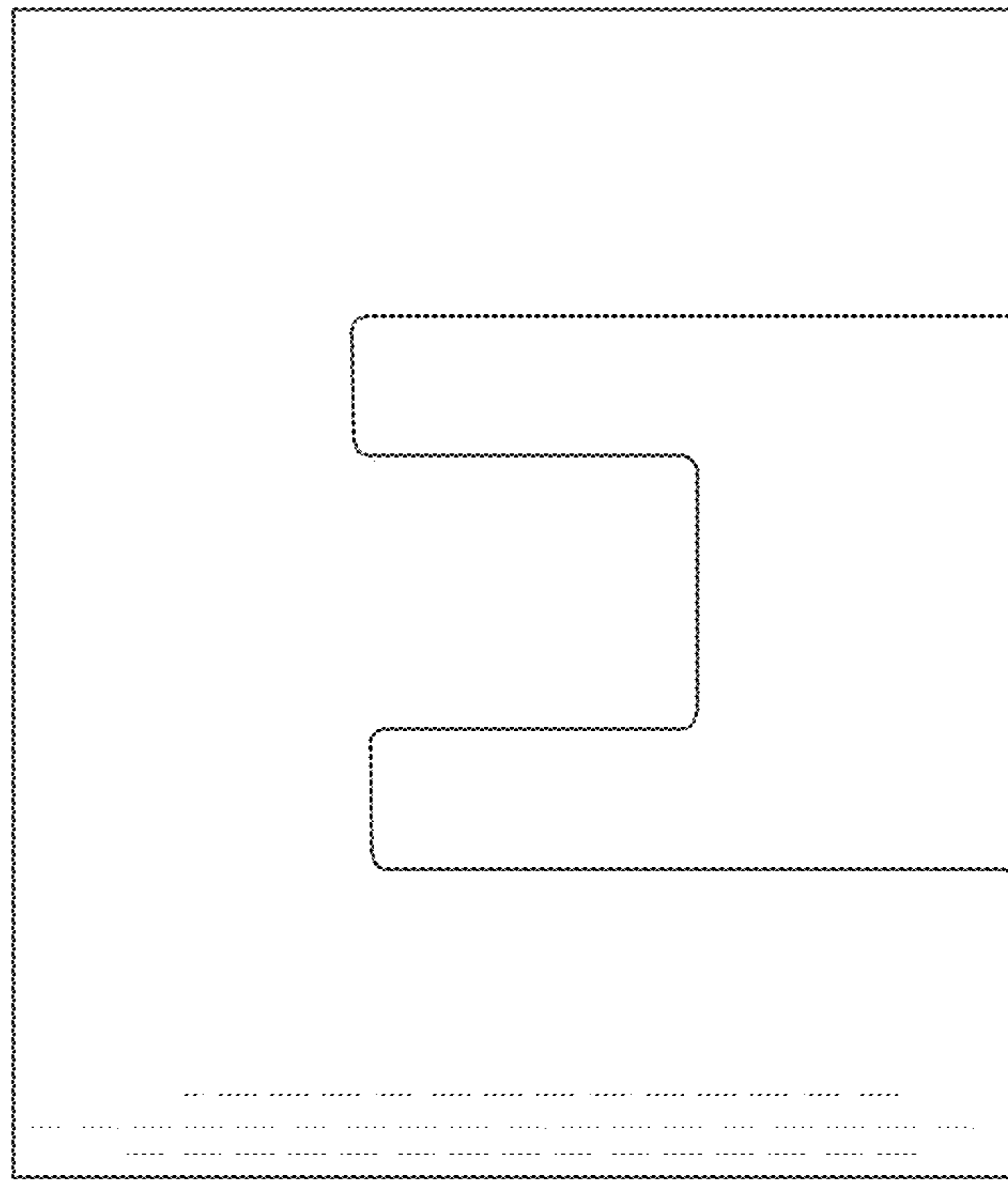


FIG. 33

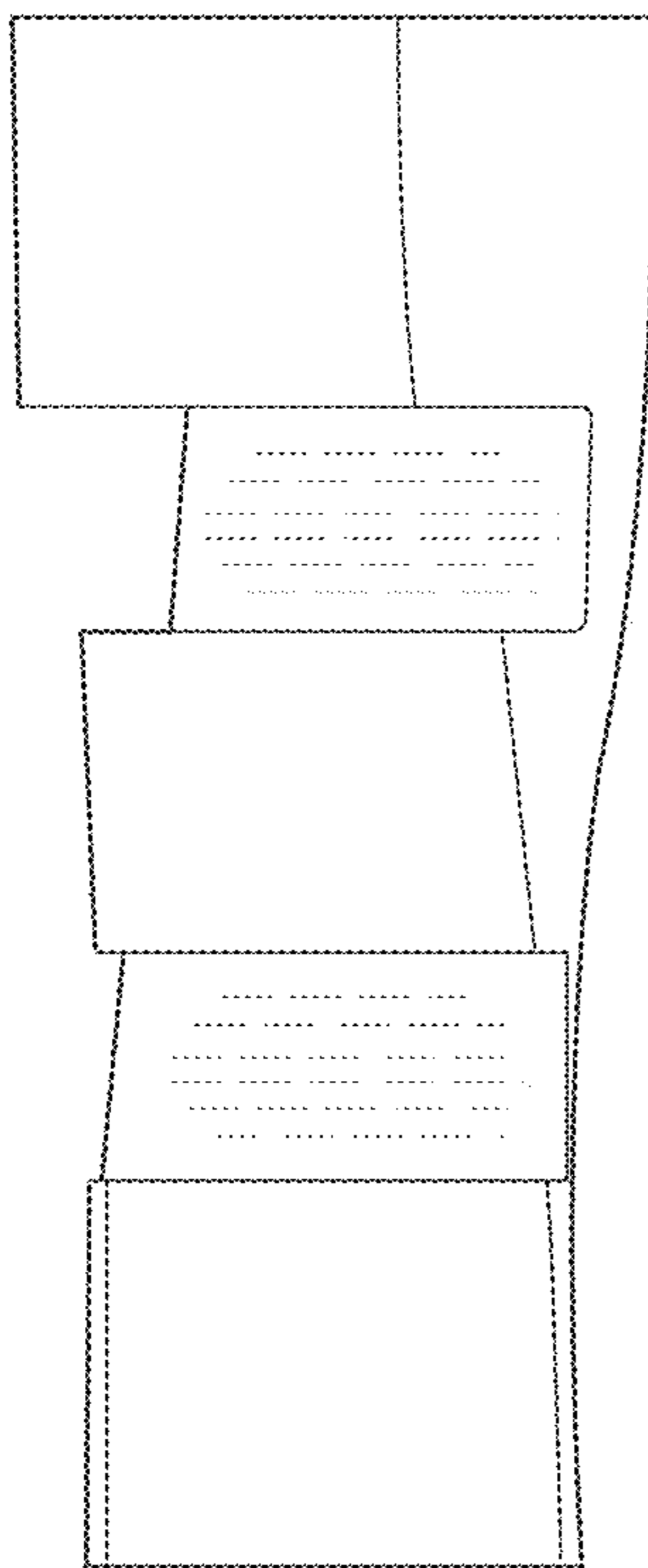


FIG. 34

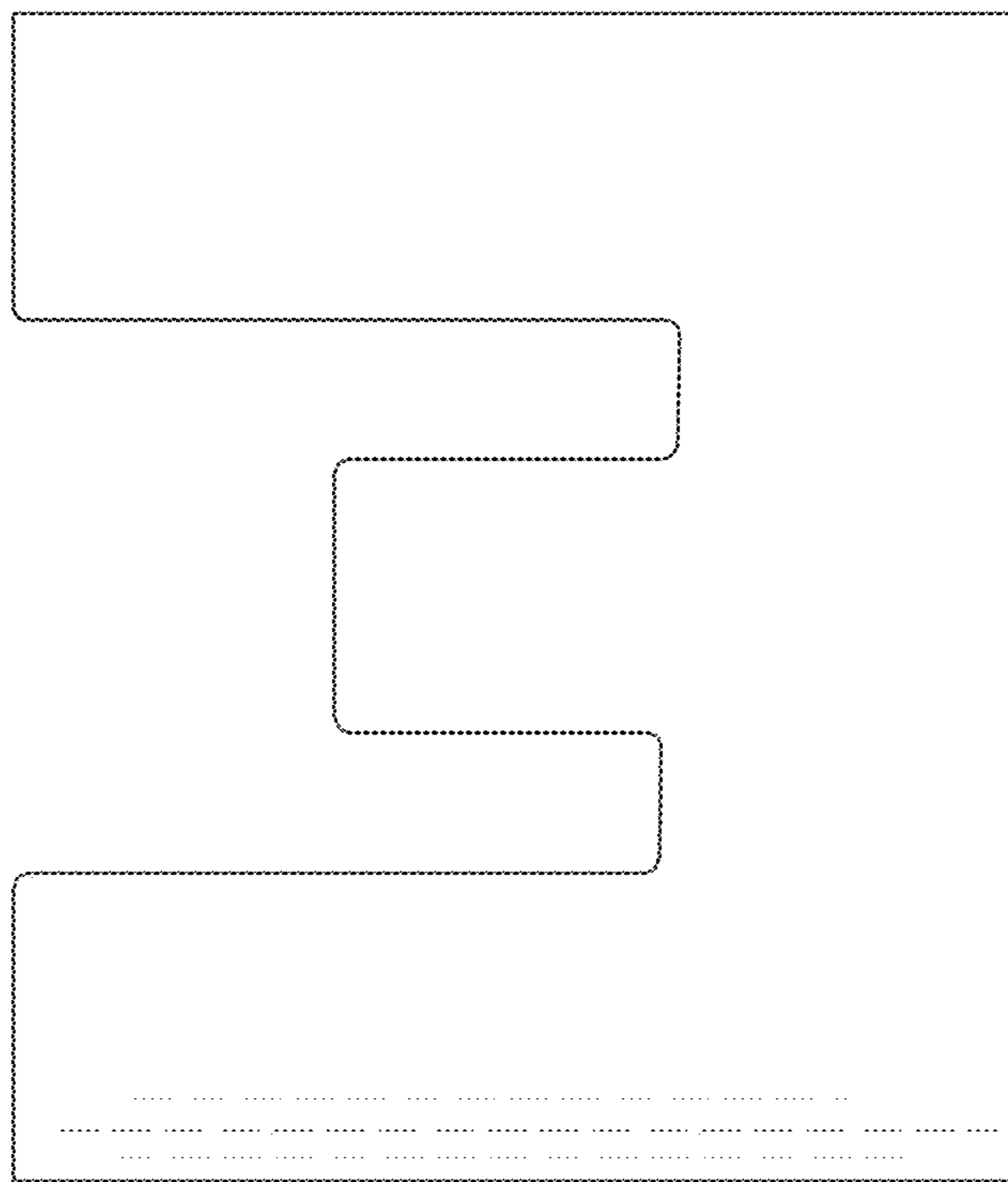


FIG. 35

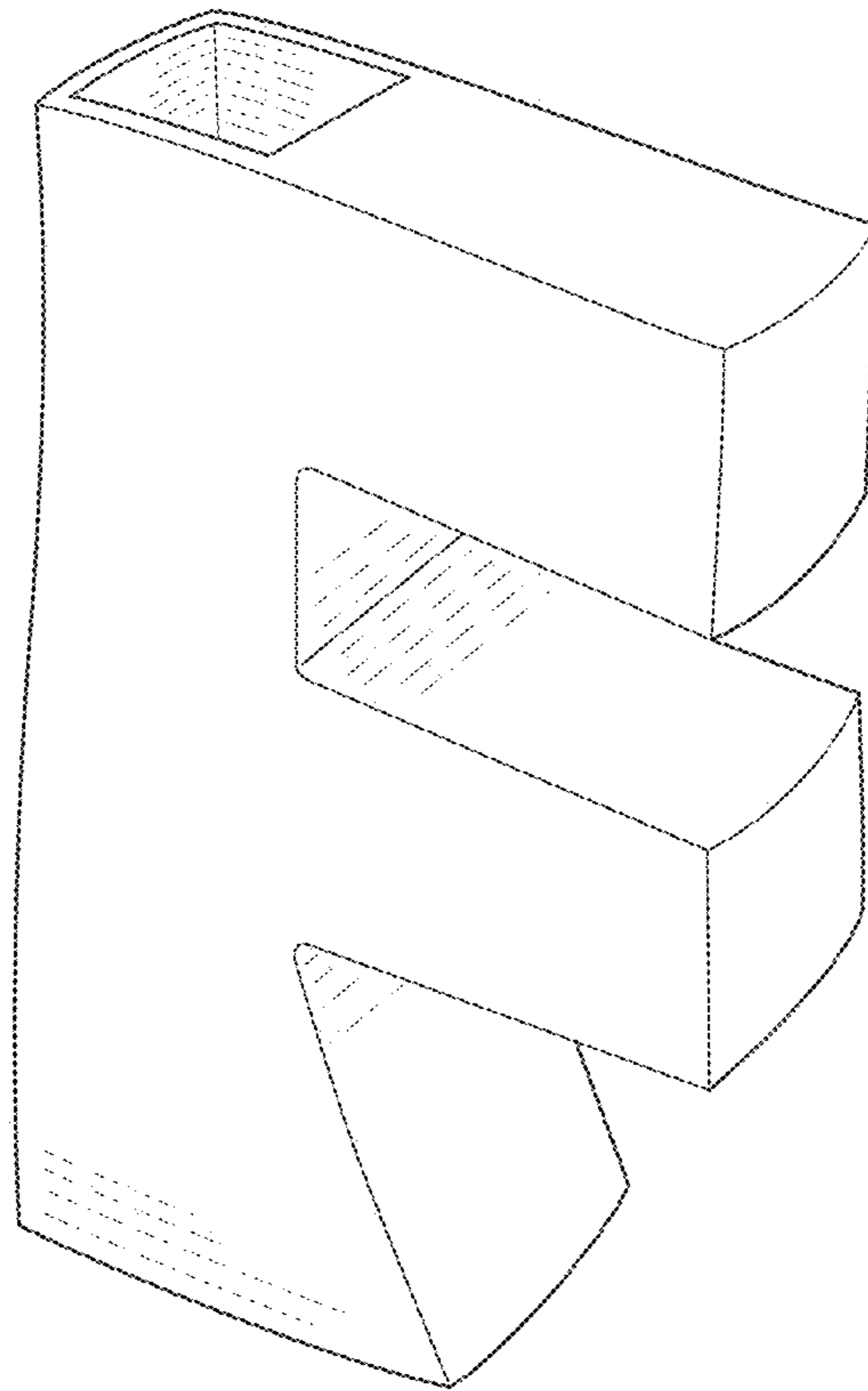


FIG. 36

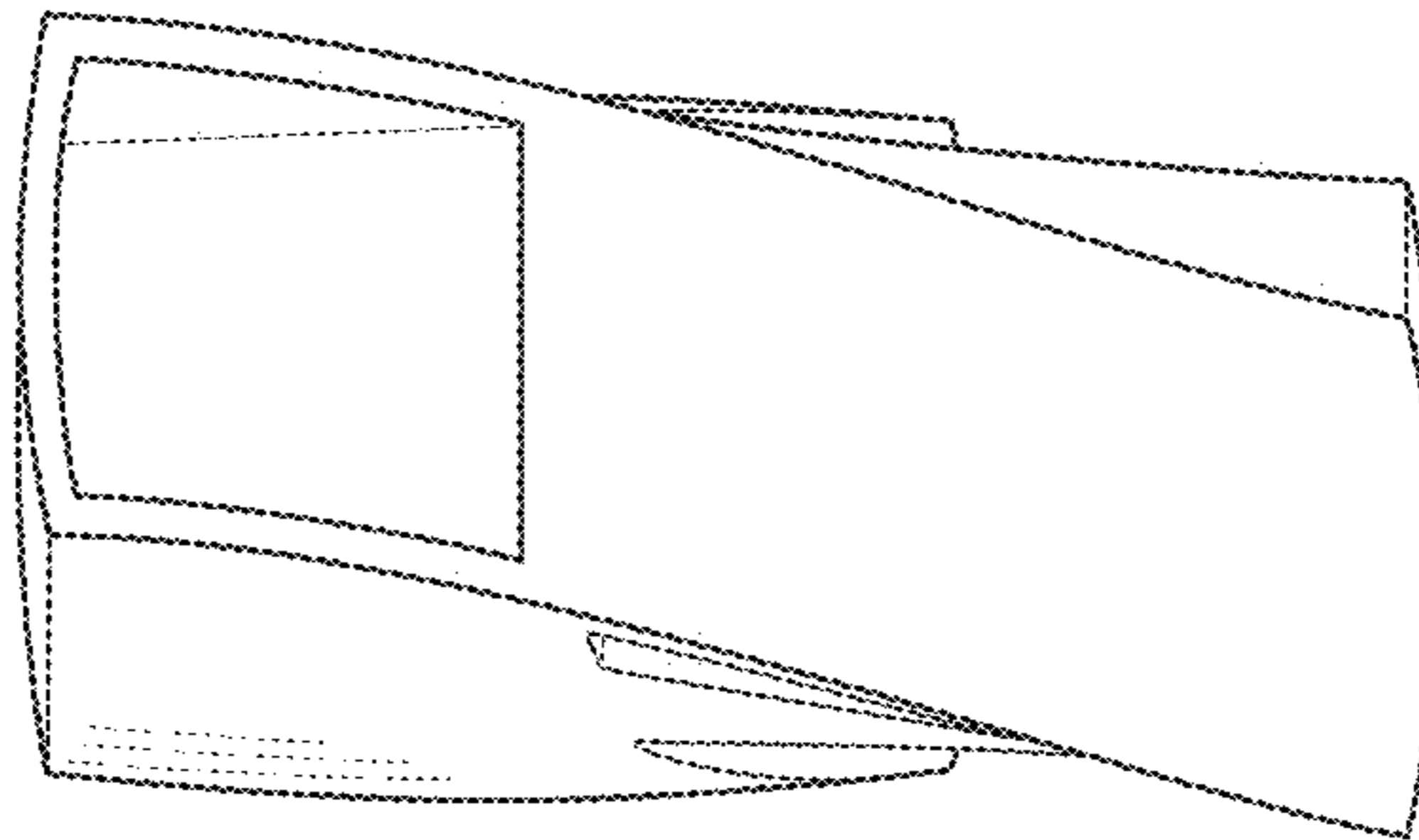


FIG. 37

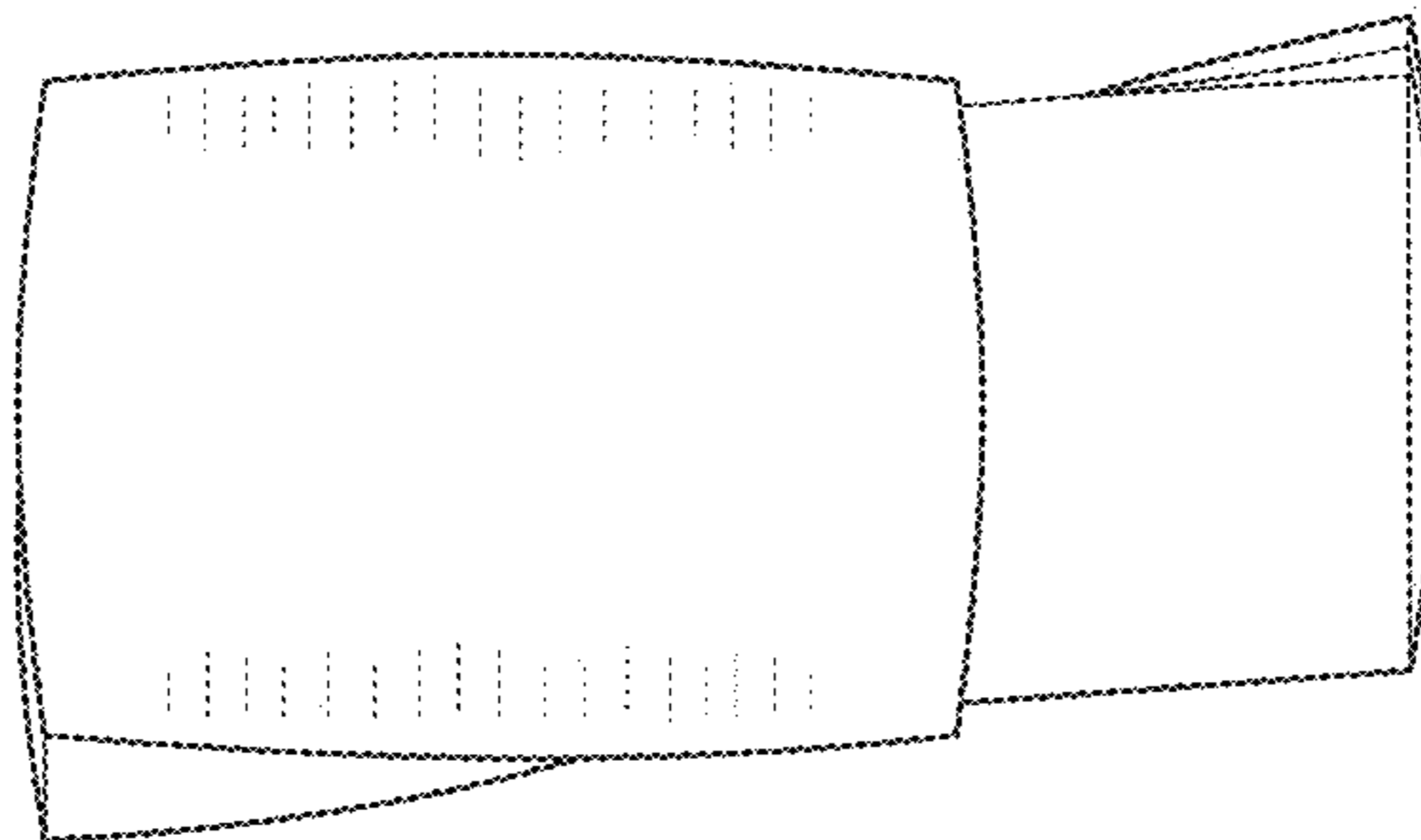


FIG. 38

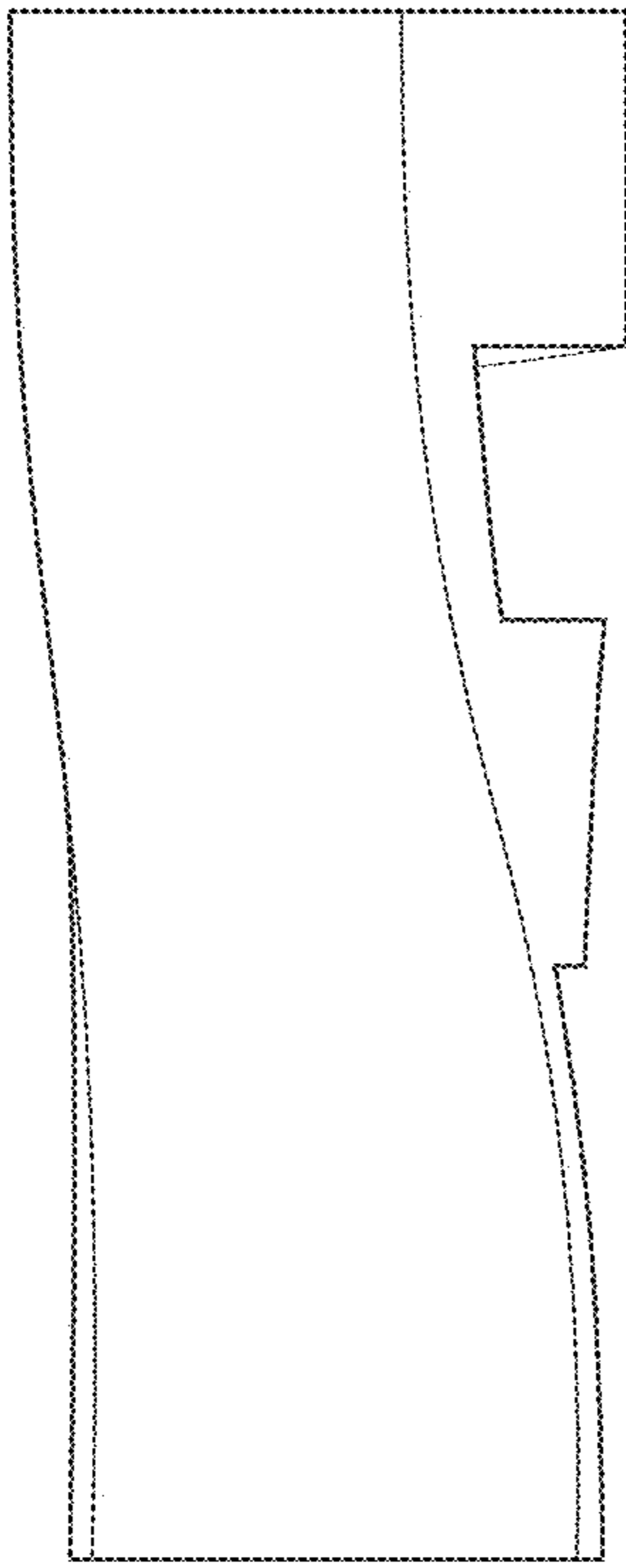


FIG. 39

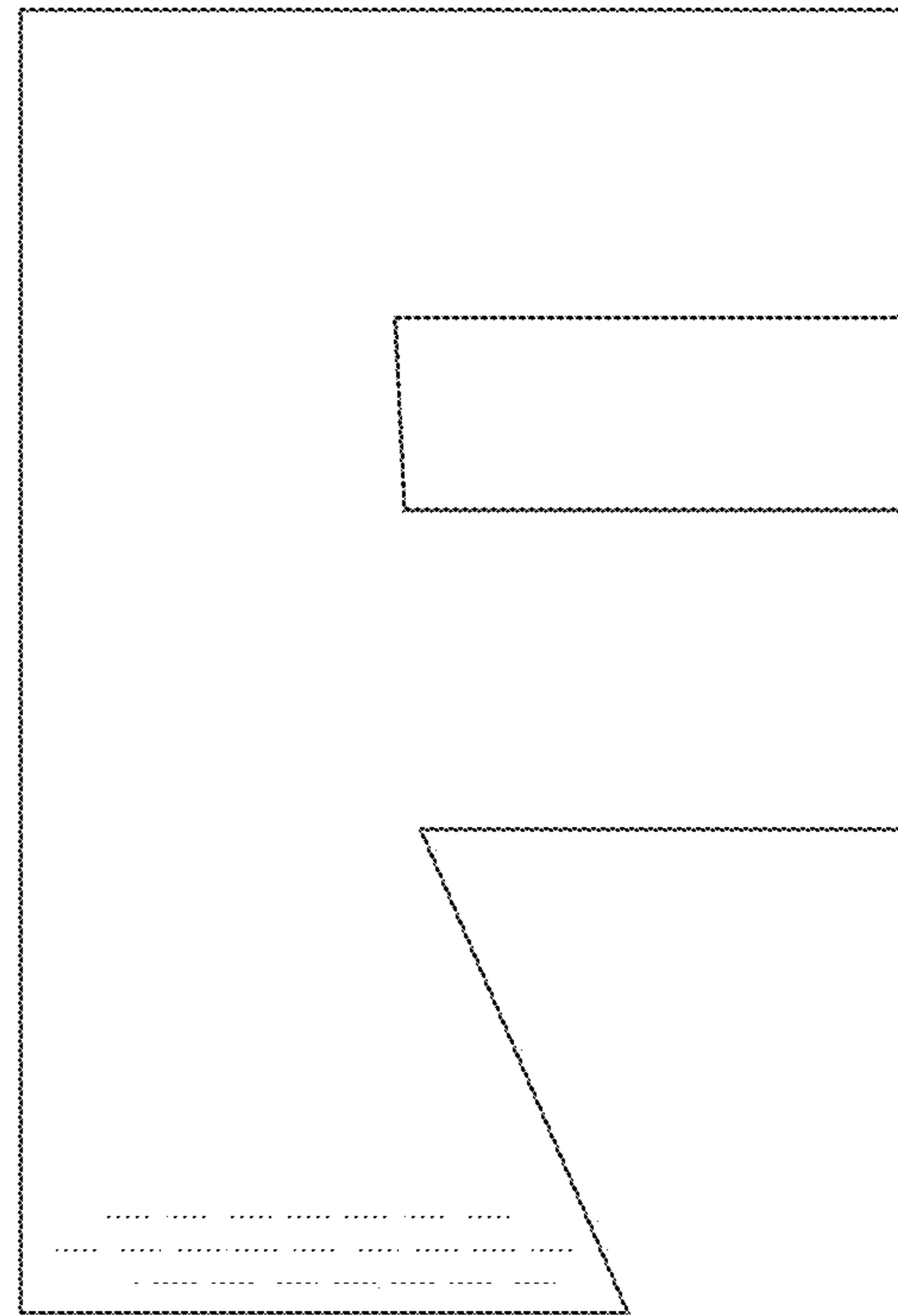


FIG. 40

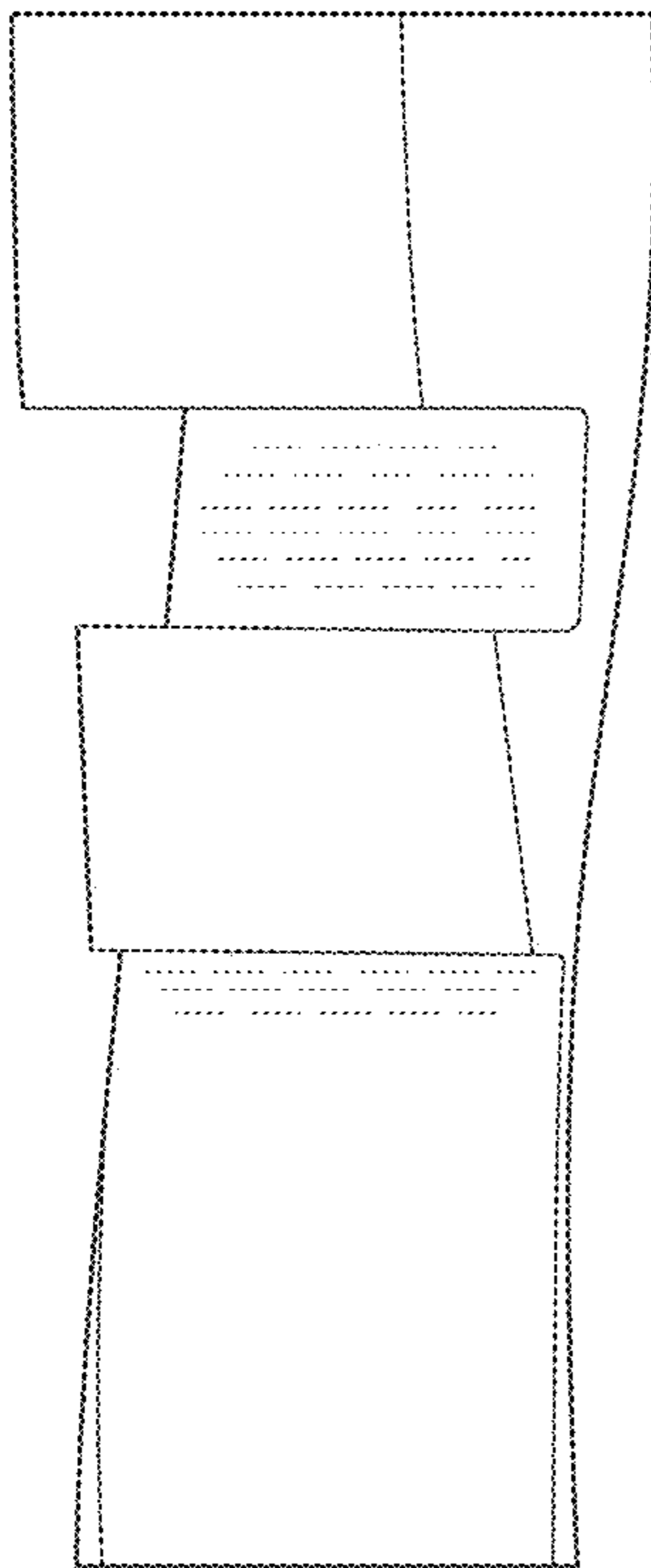


FIG. 41

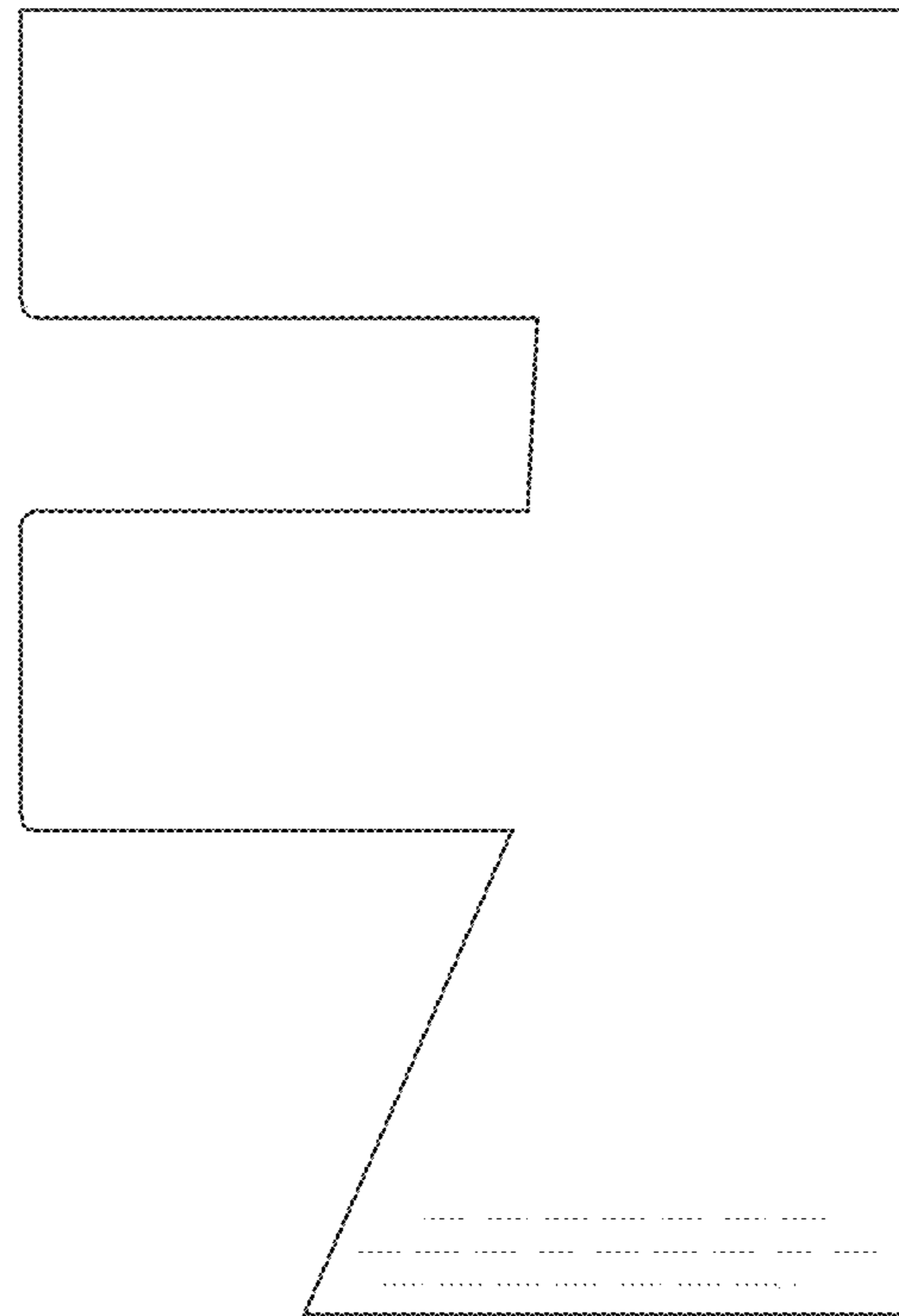


FIG. 42

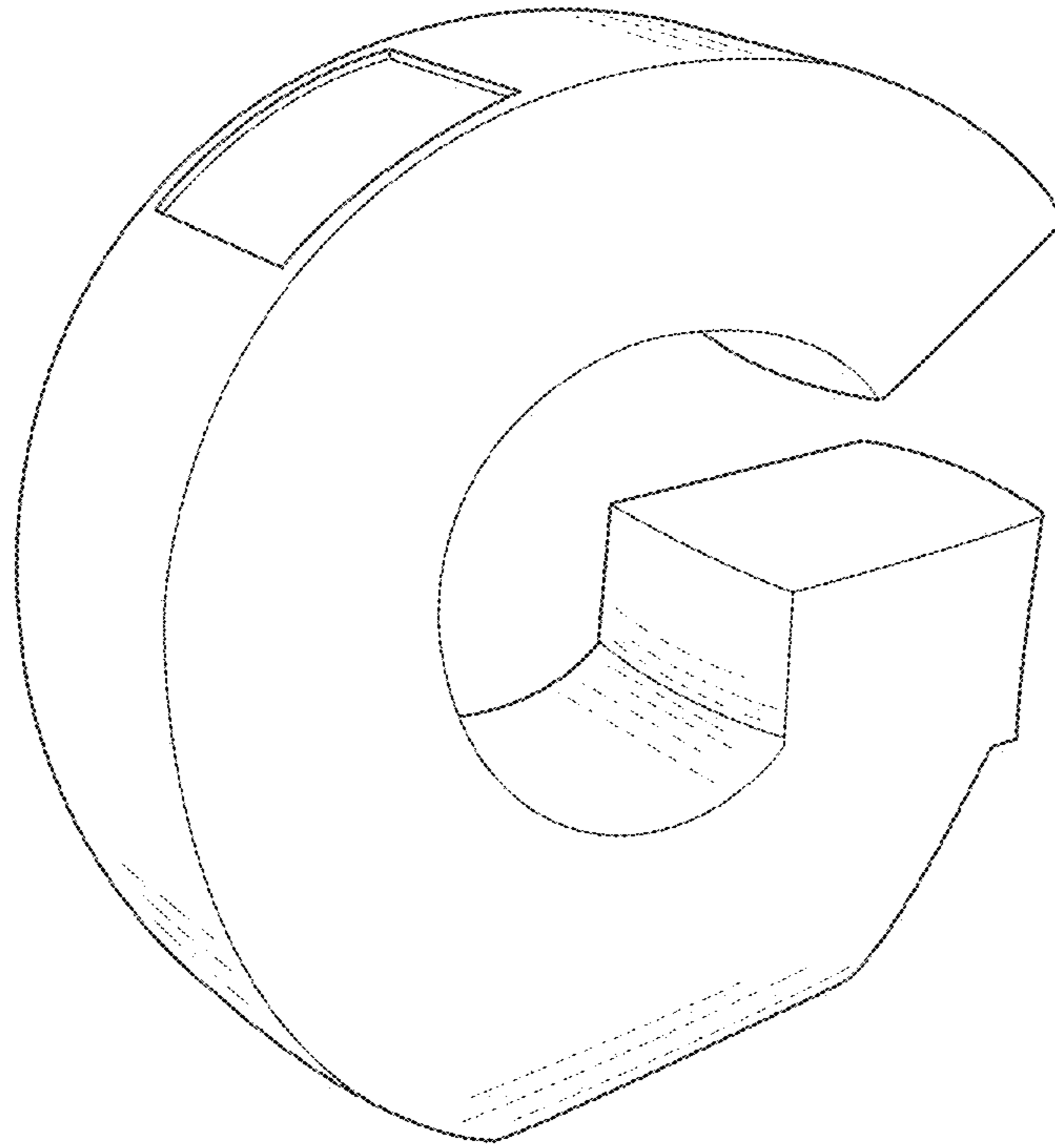


FIG. 43

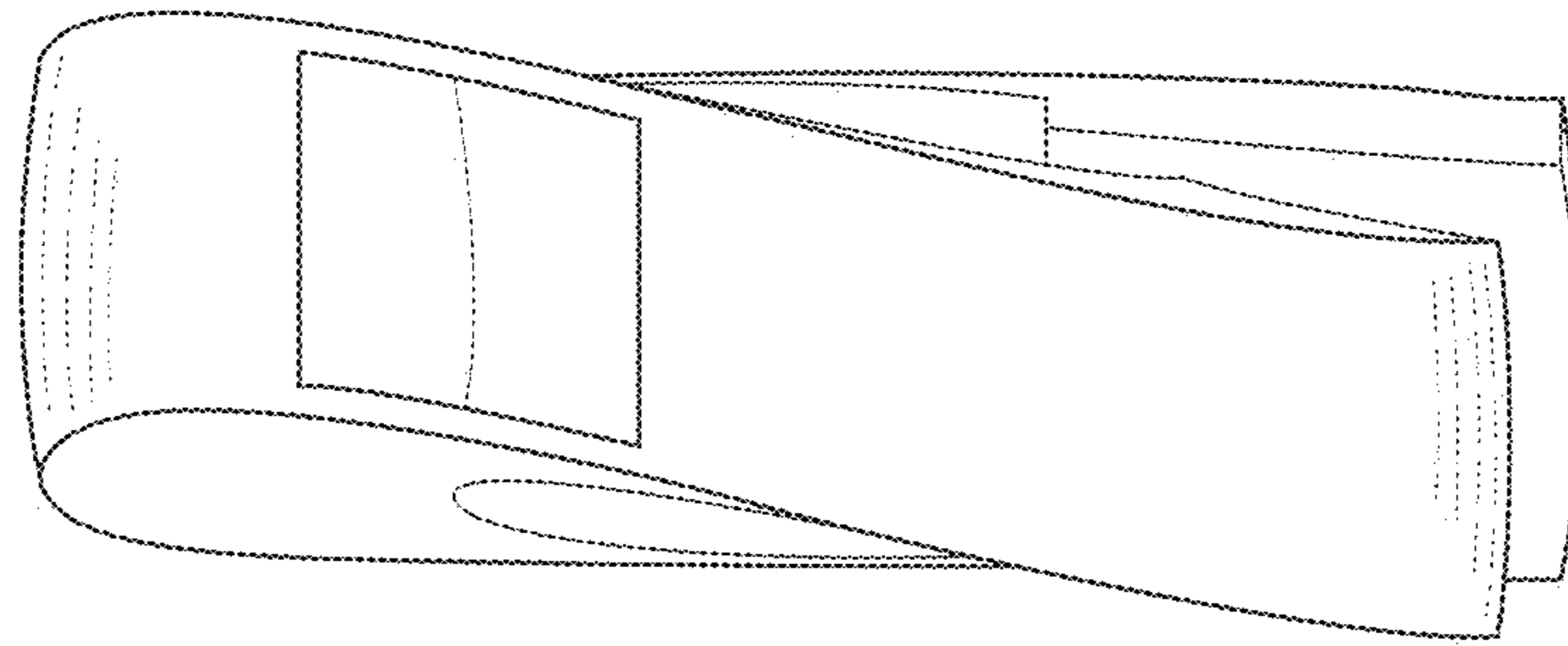


FIG. 44

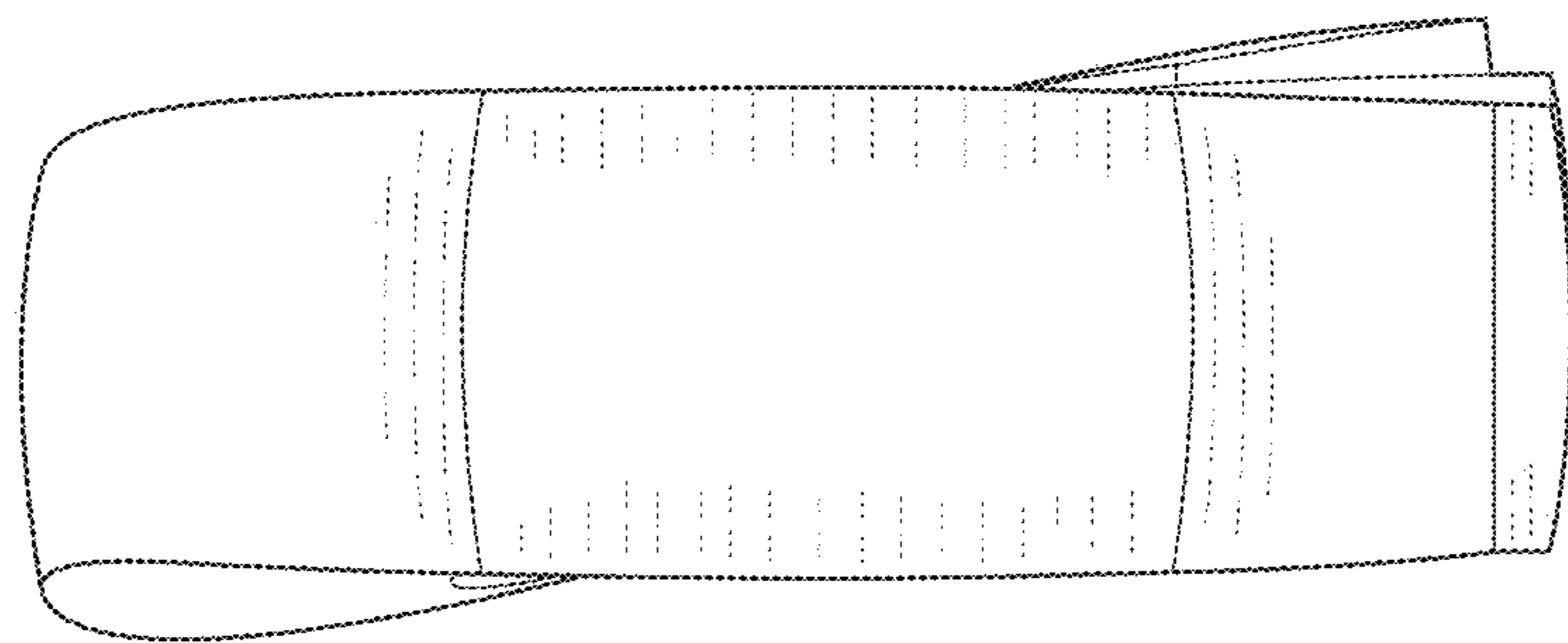


FIG. 45



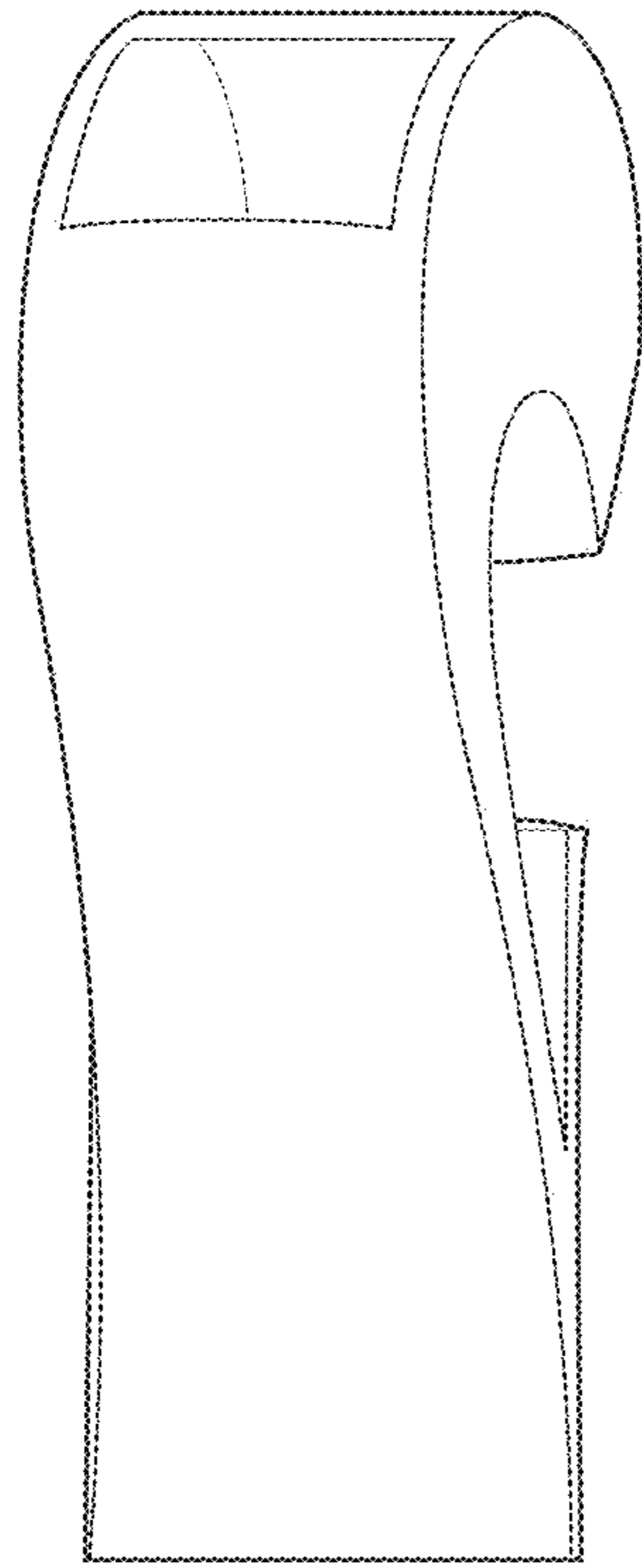


FIG. 46

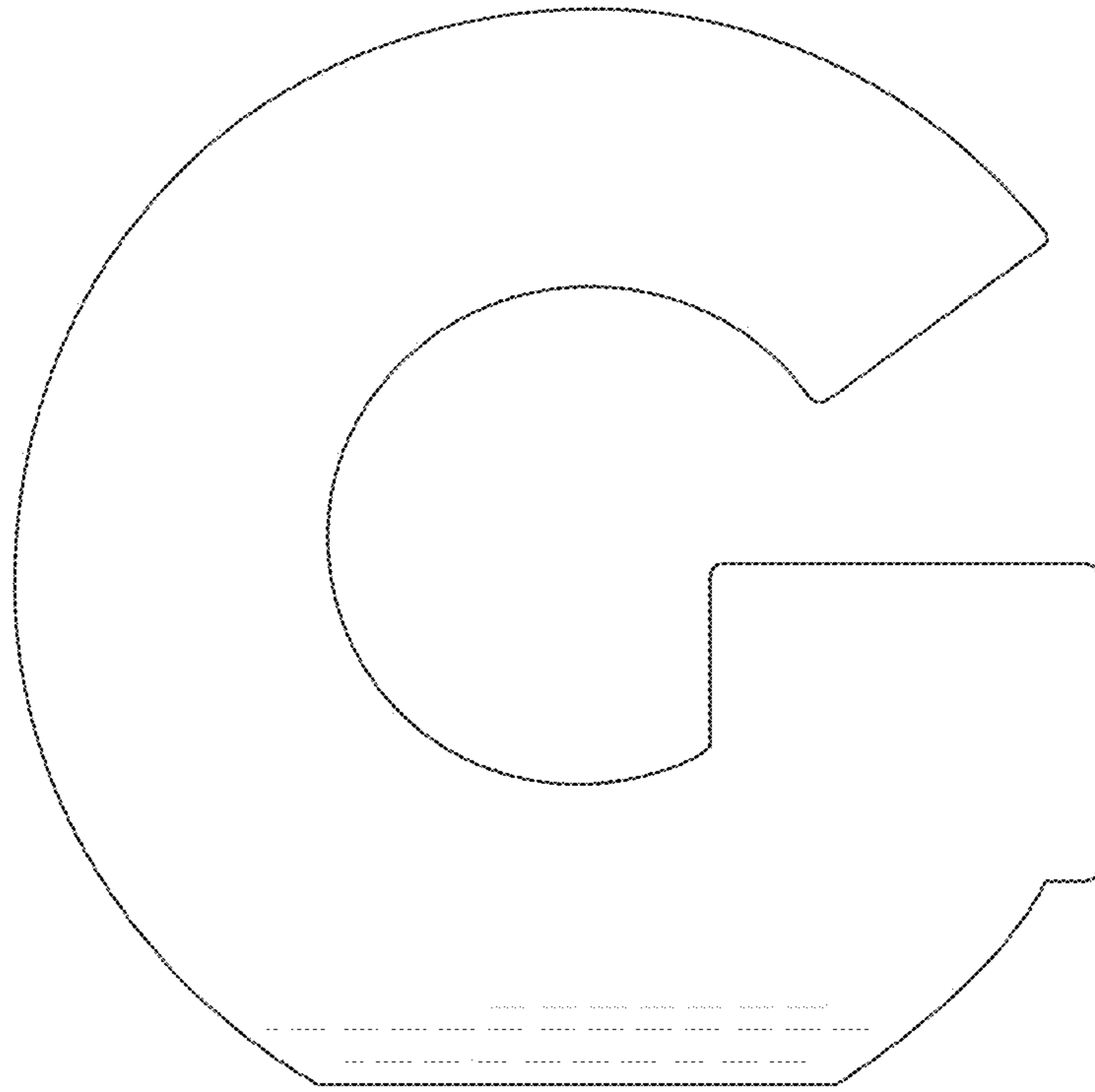


FIG. 47

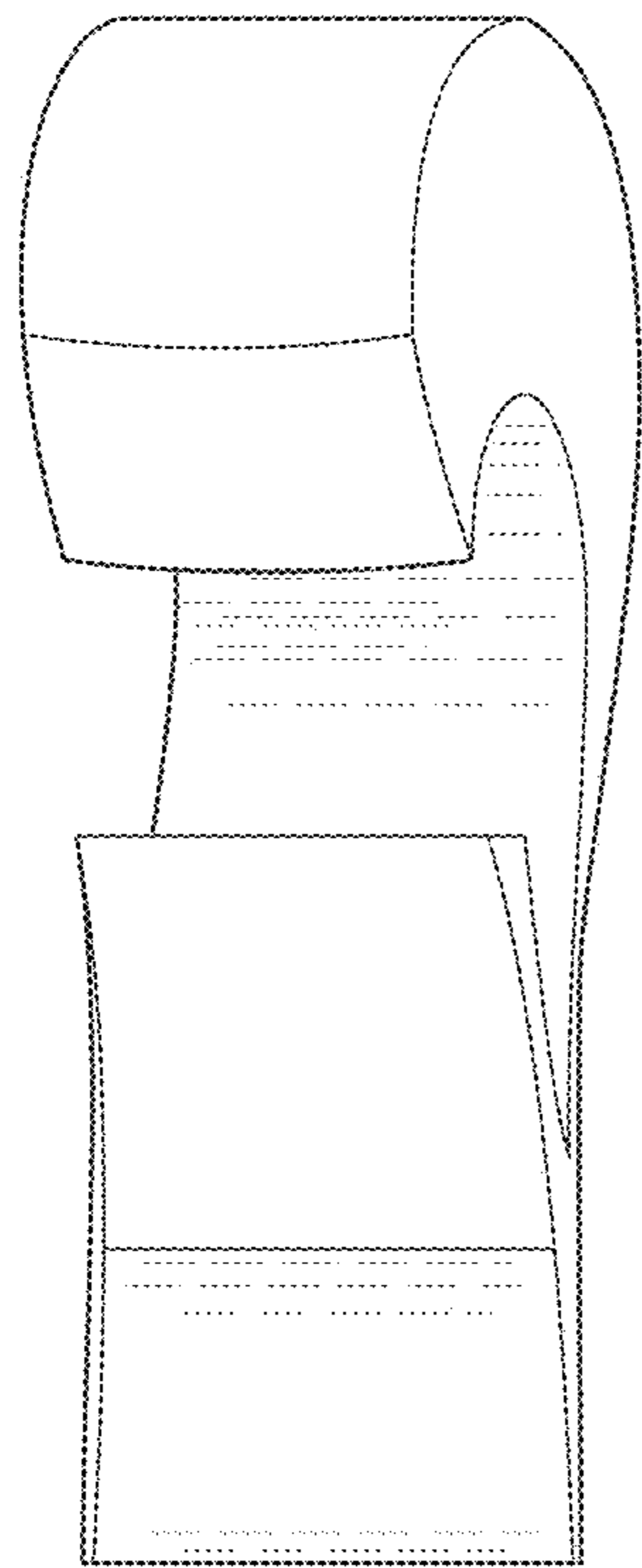


FIG. 48

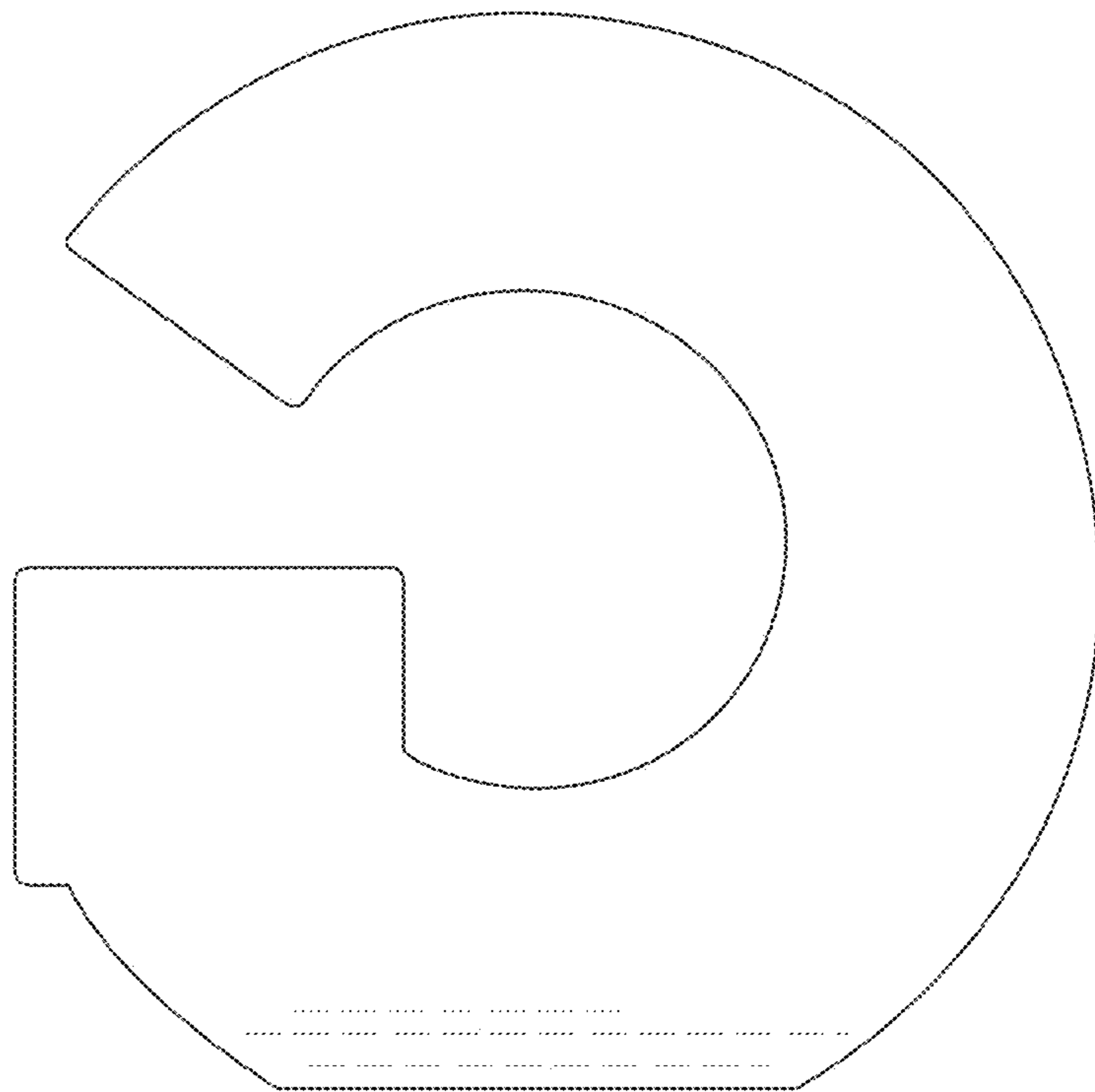


FIG. 49

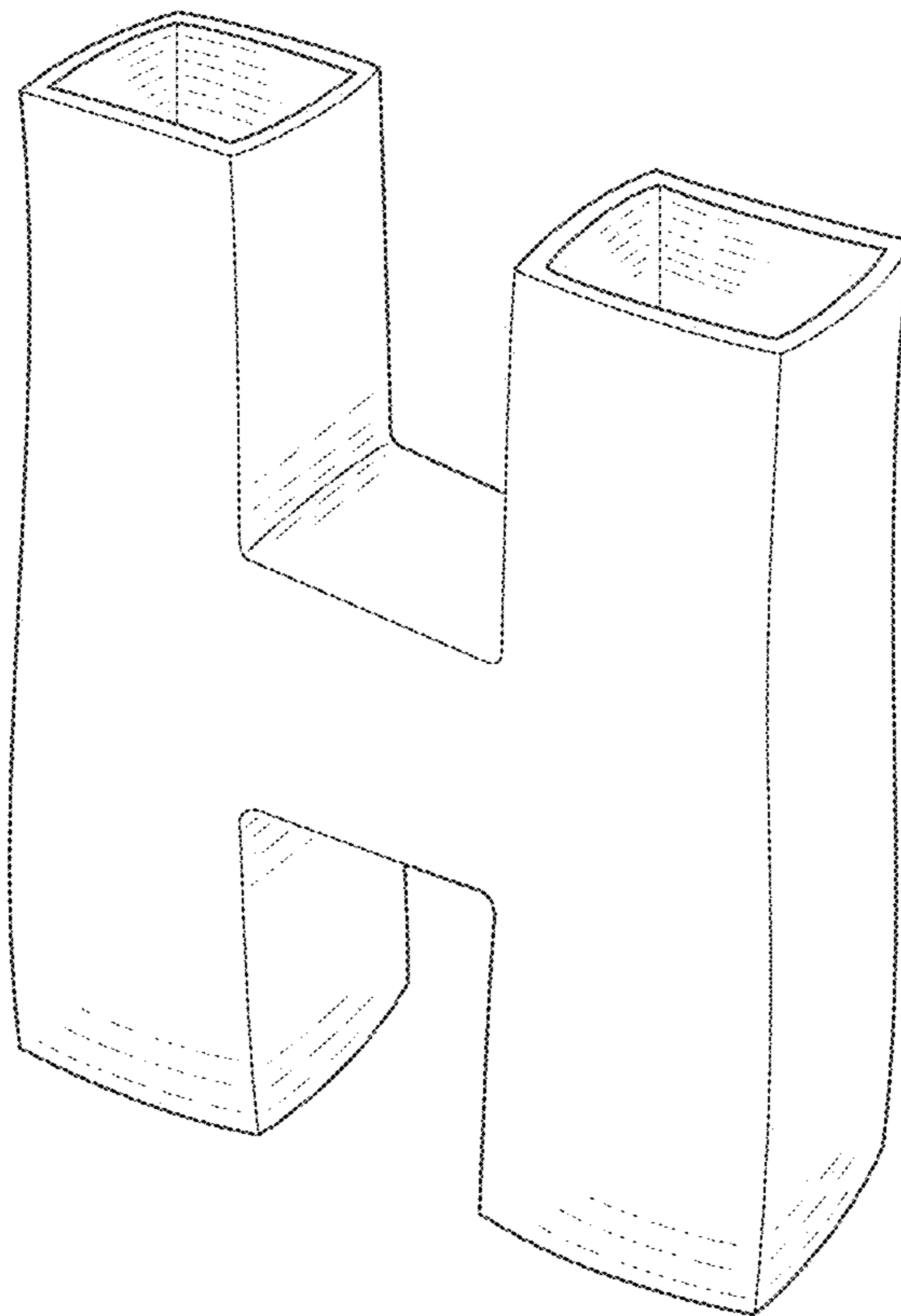


FIG. 50

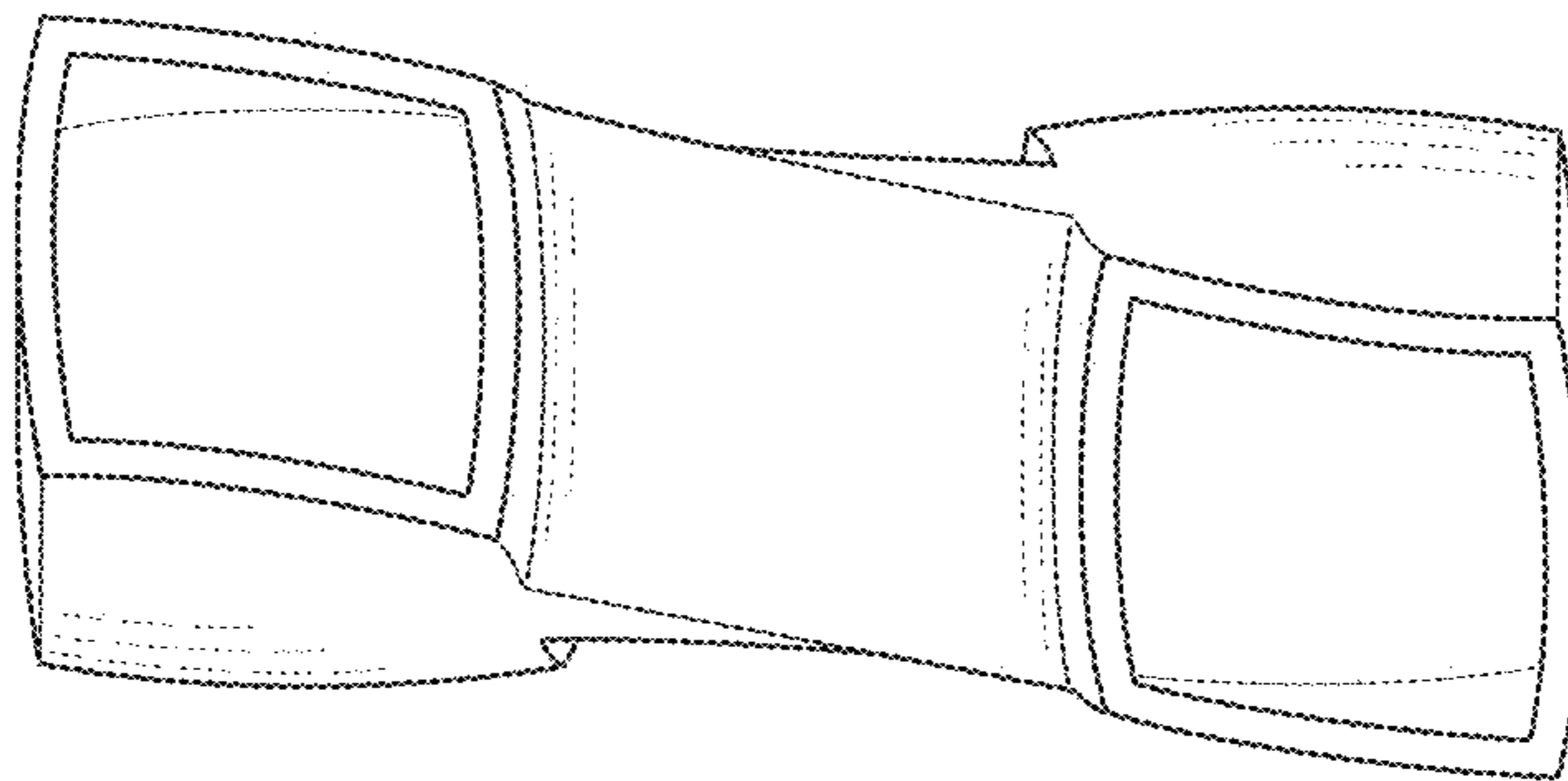


FIG. 51

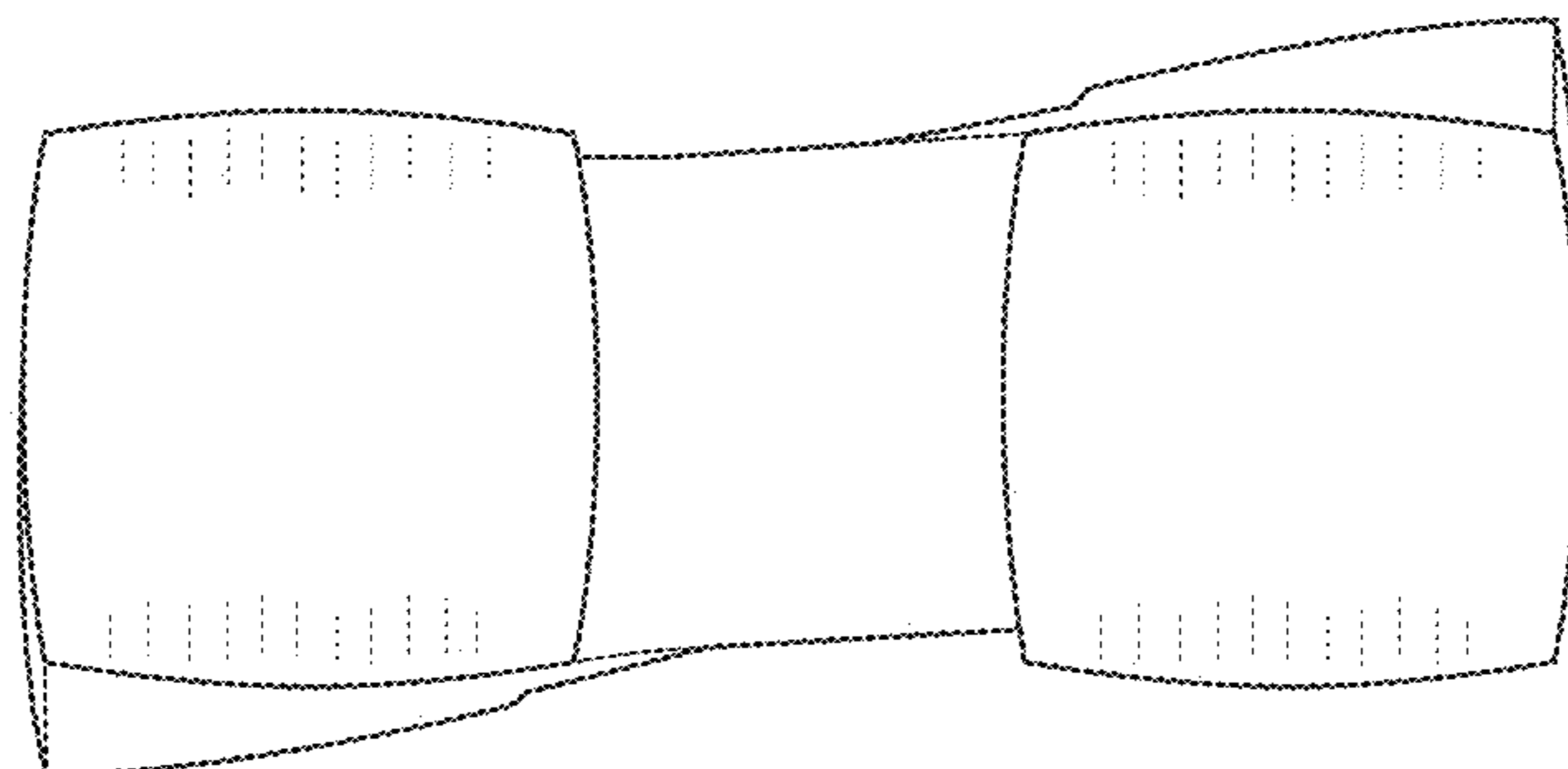


FIG. 52

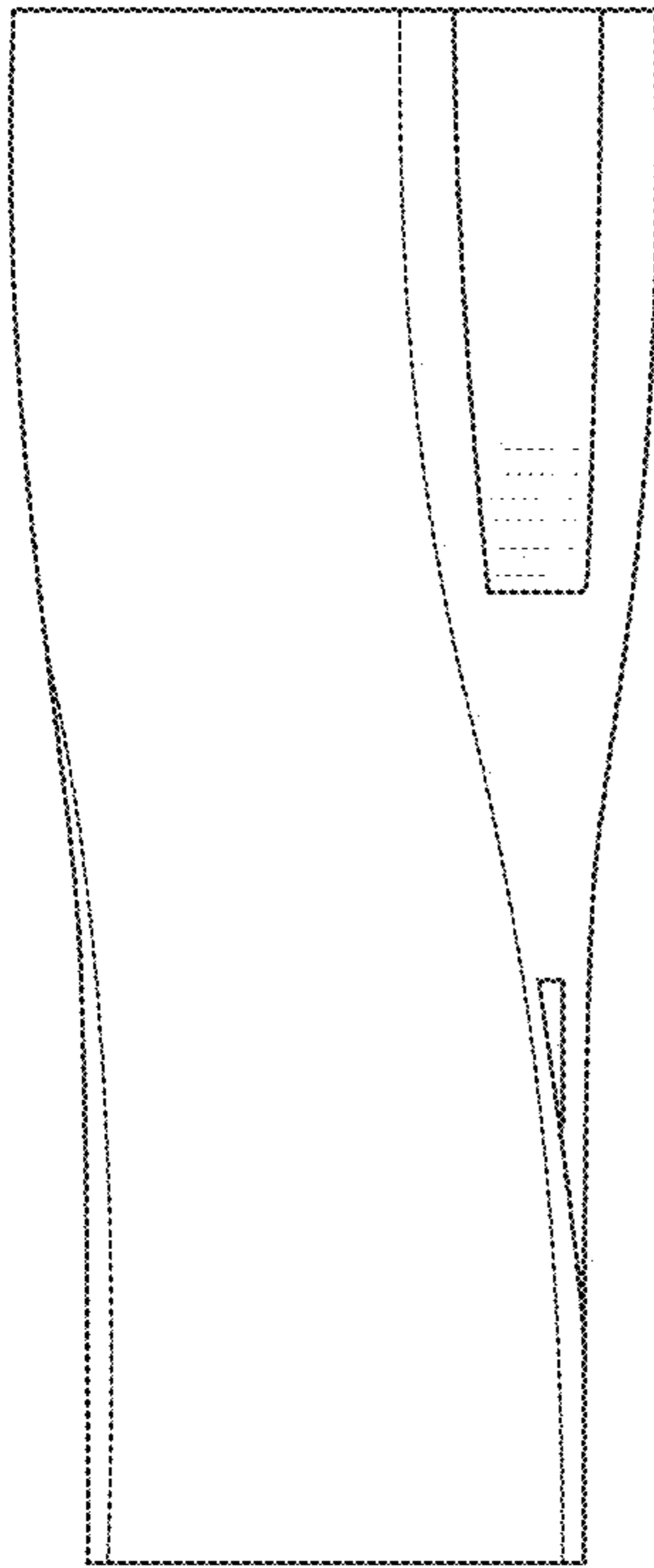


FIG. 53

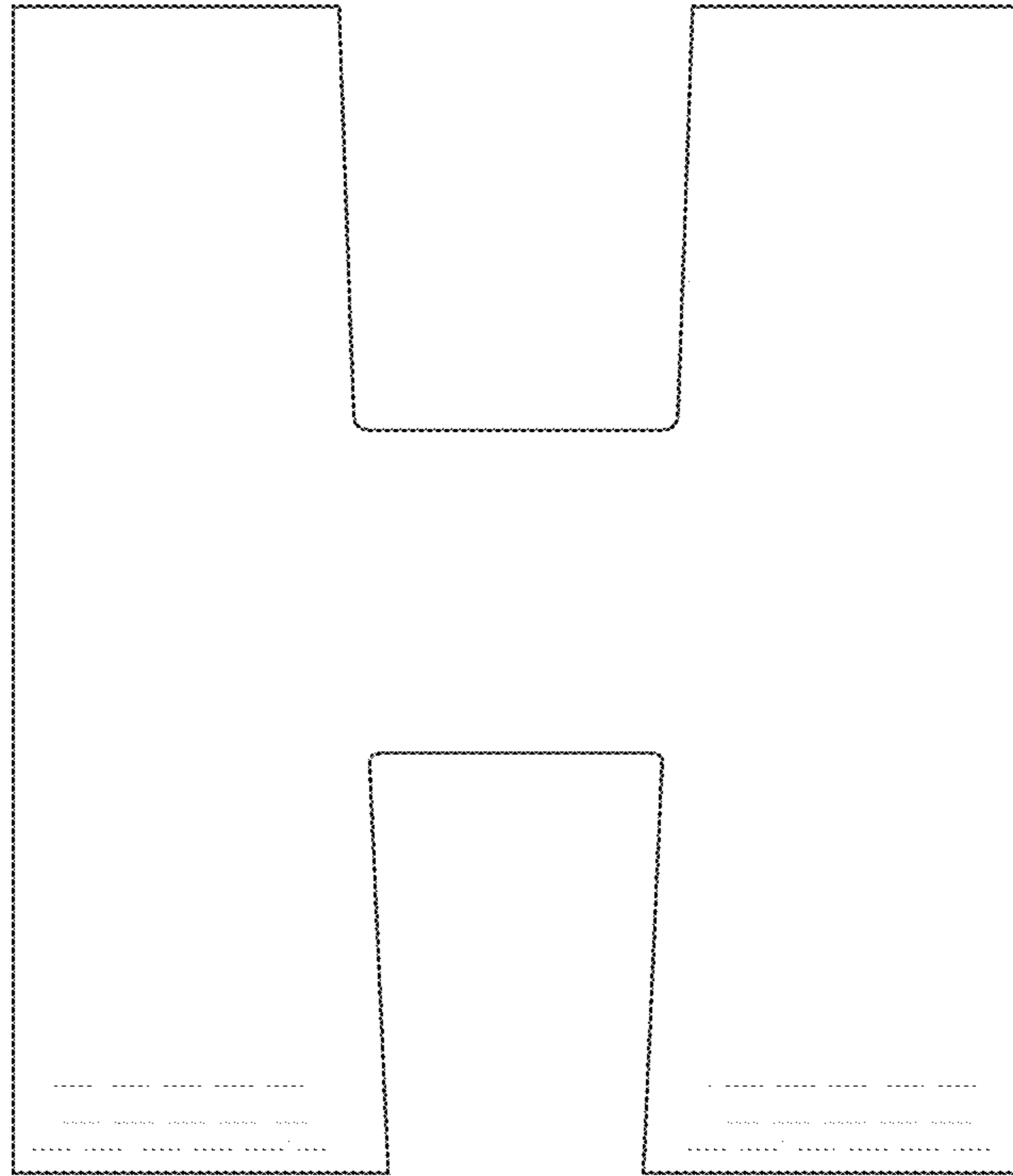


FIG. 54

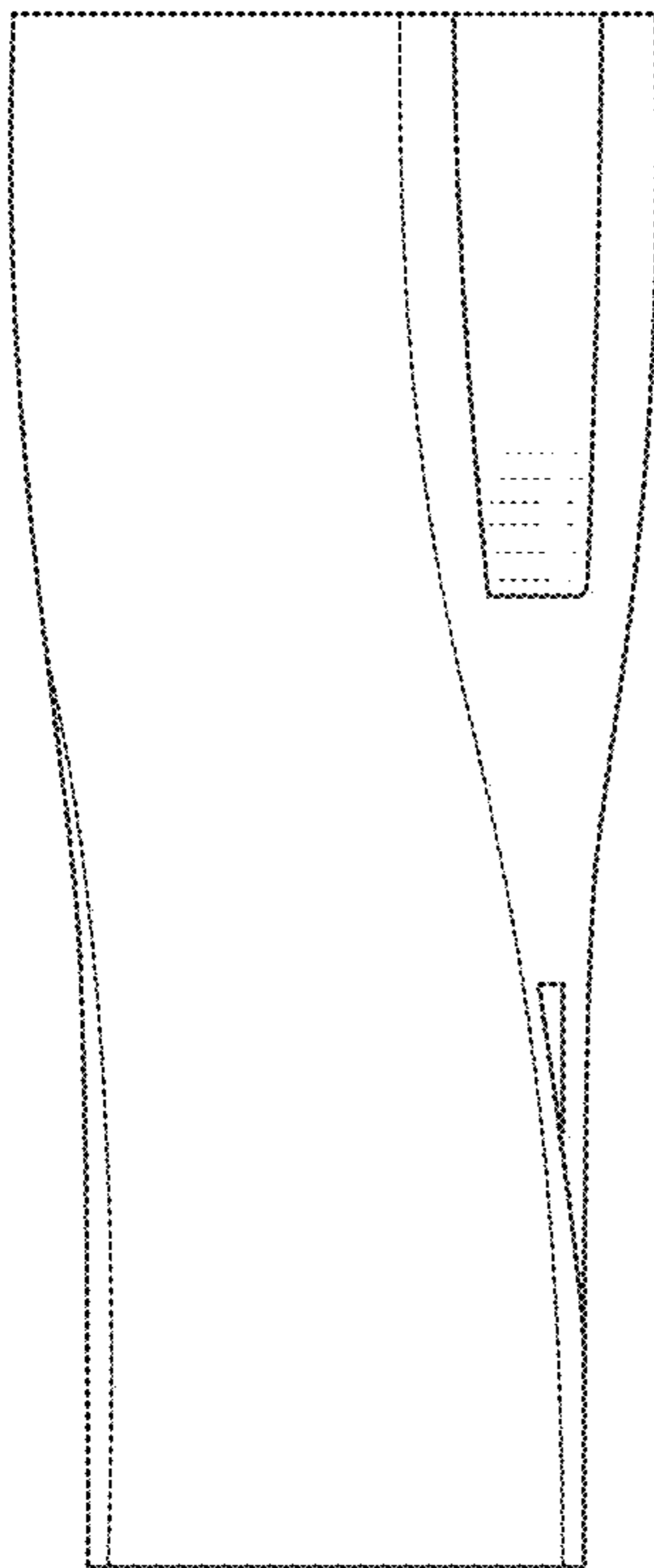


FIG. 55

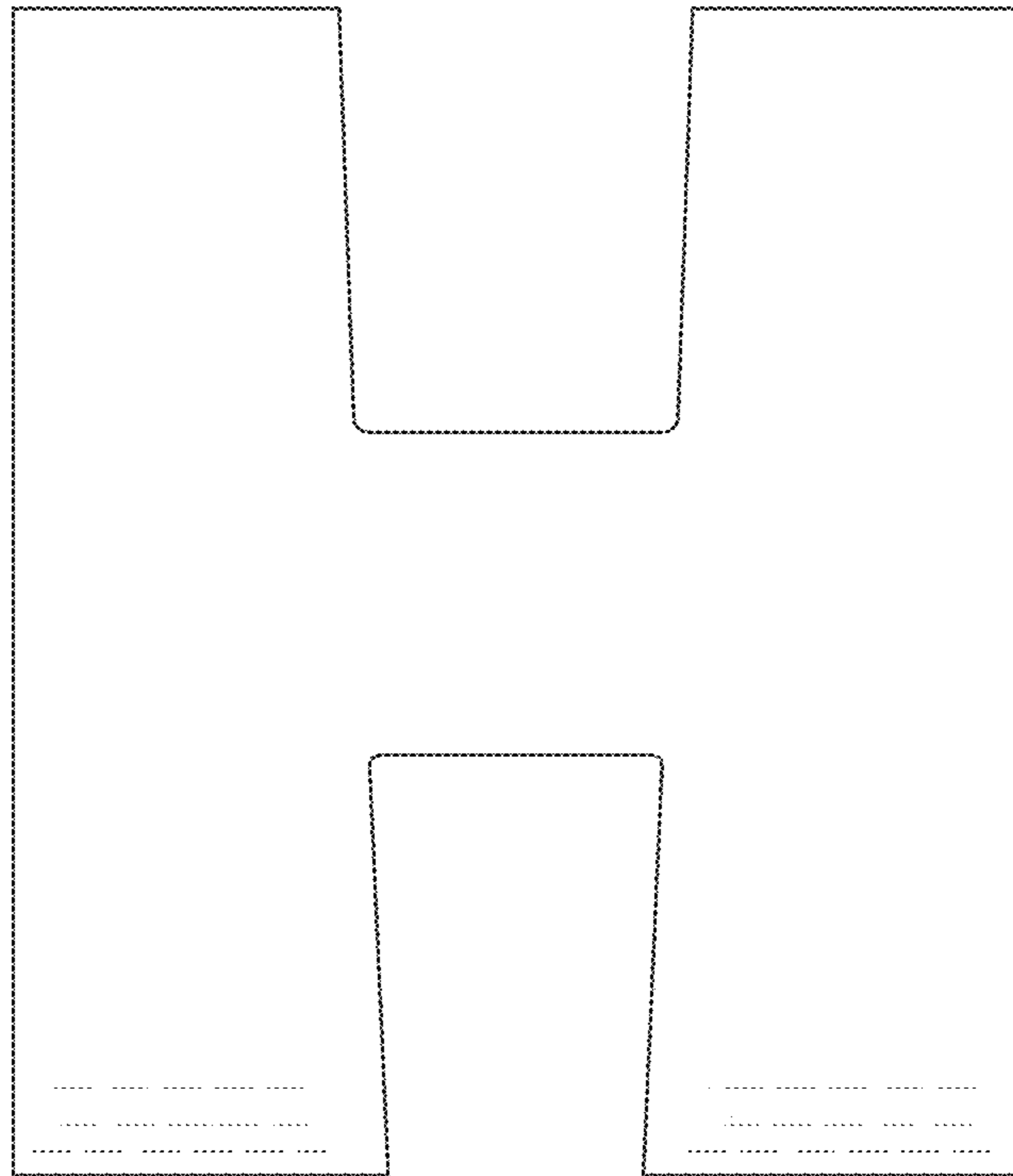


FIG. 56

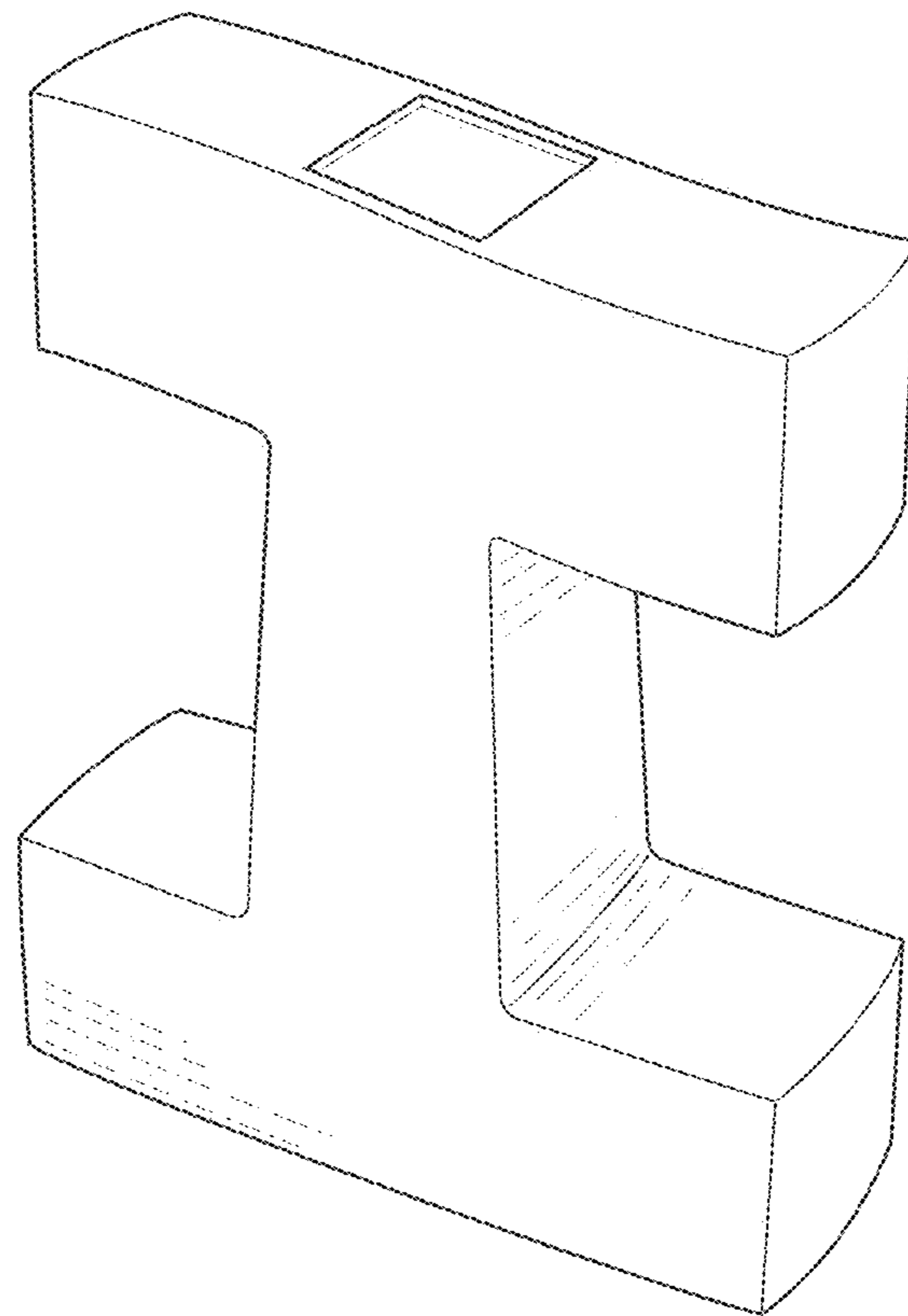


FIG. 57

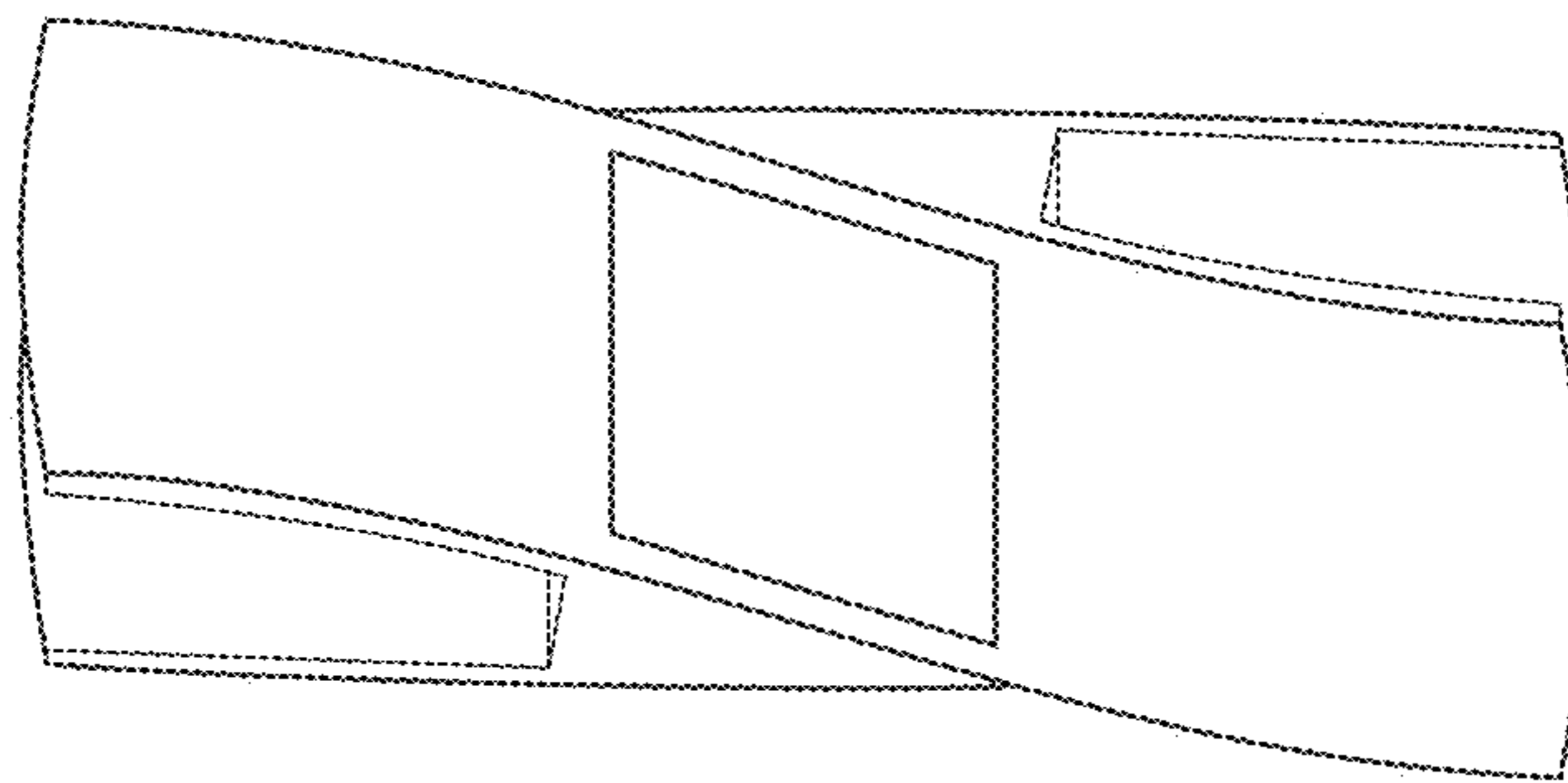


FIG. 58

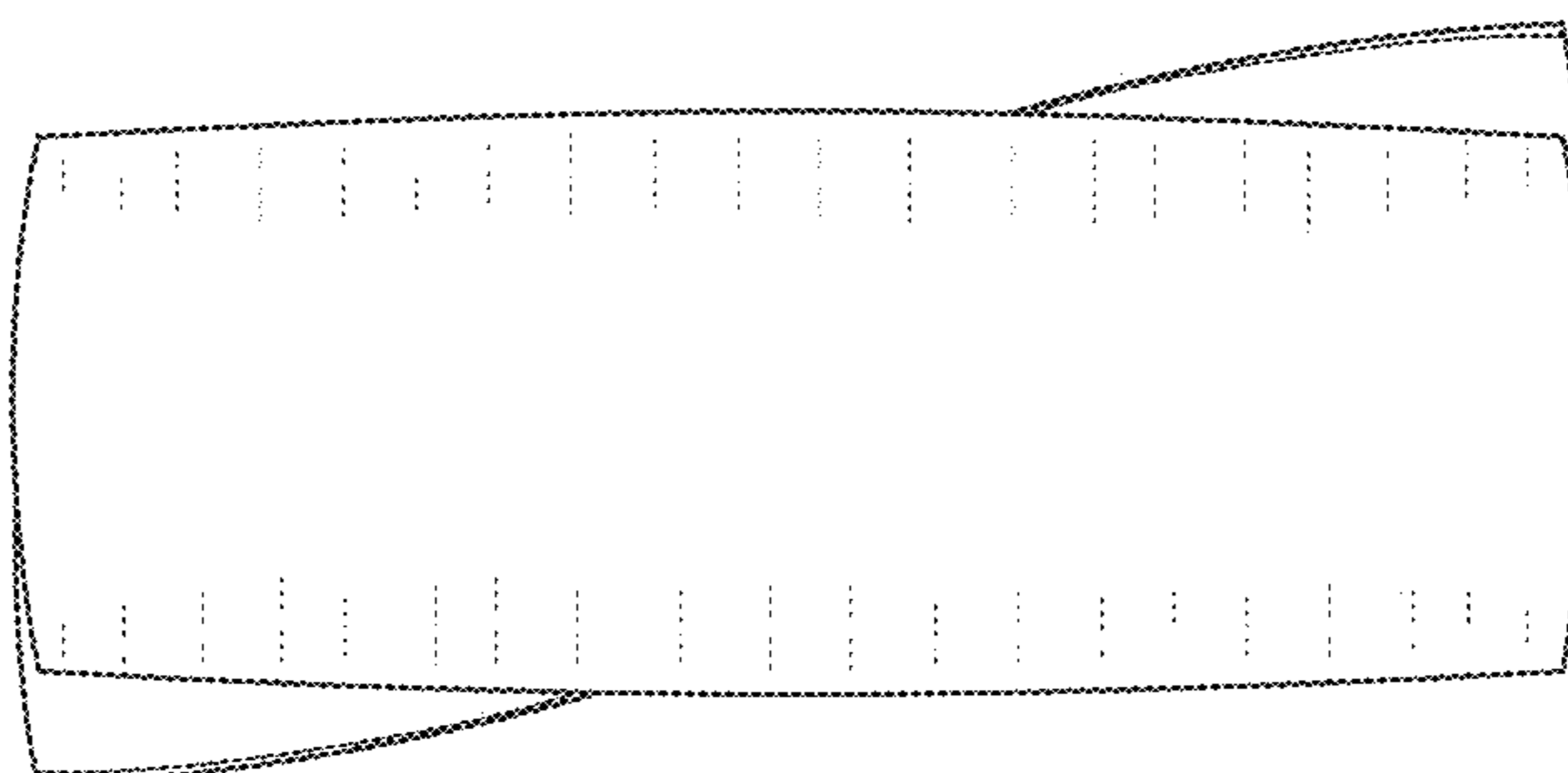


FIG. 59

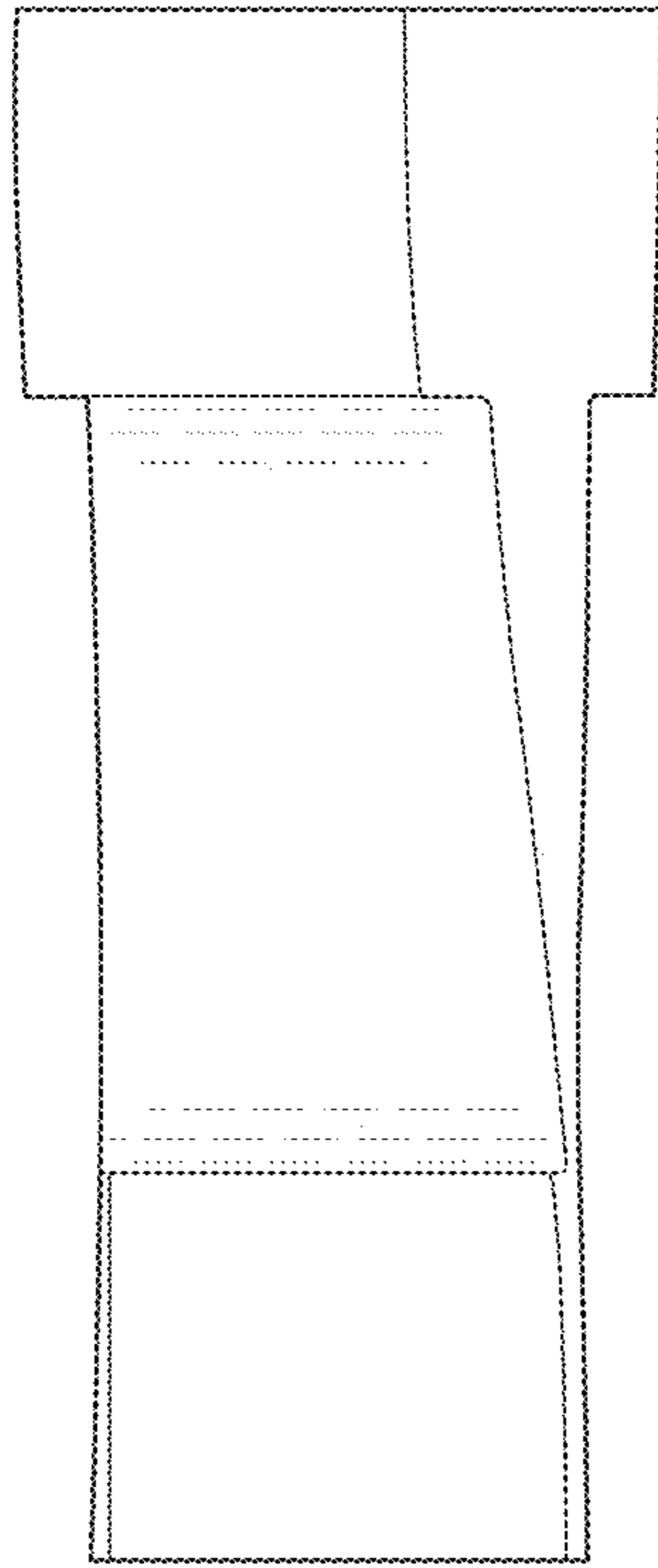


FIG. 60

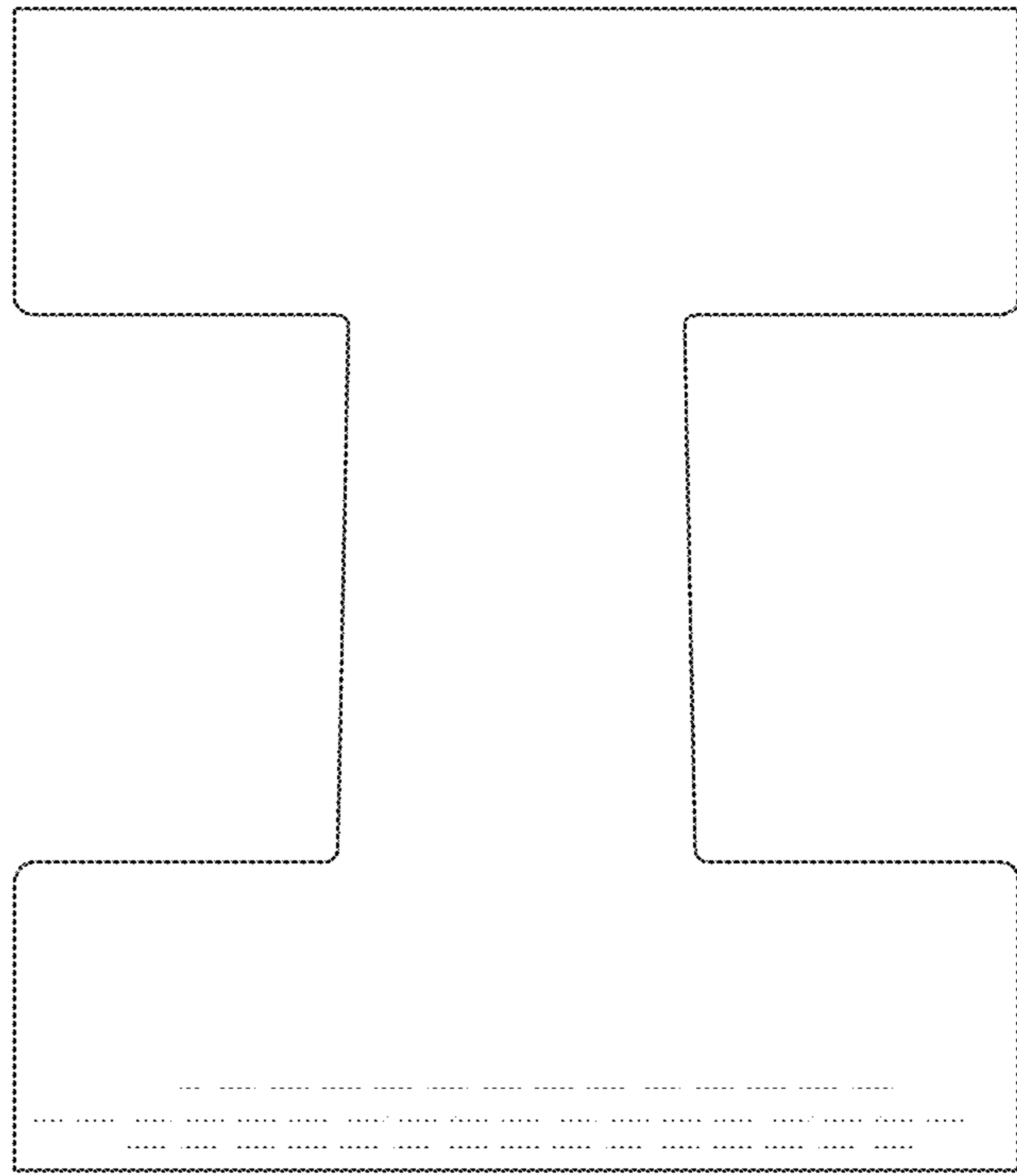


FIG. 61

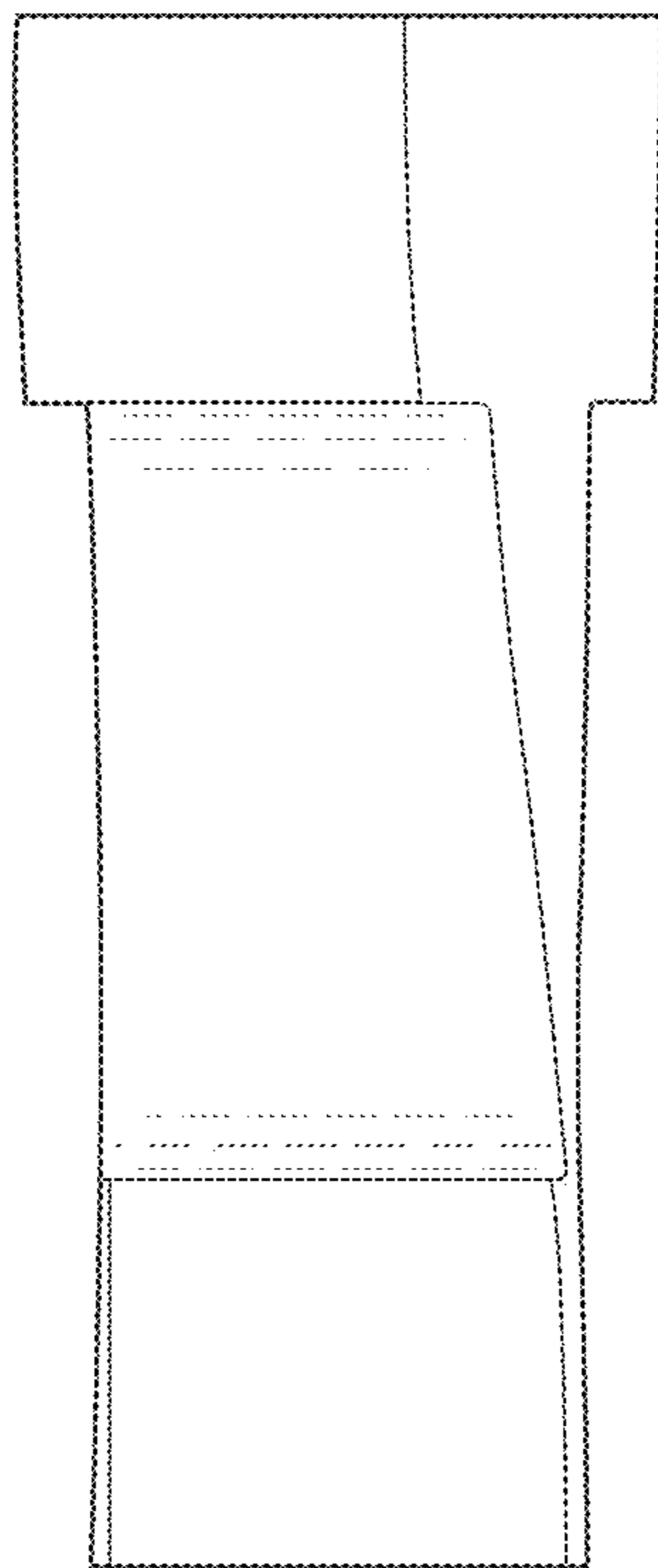


FIG. 62

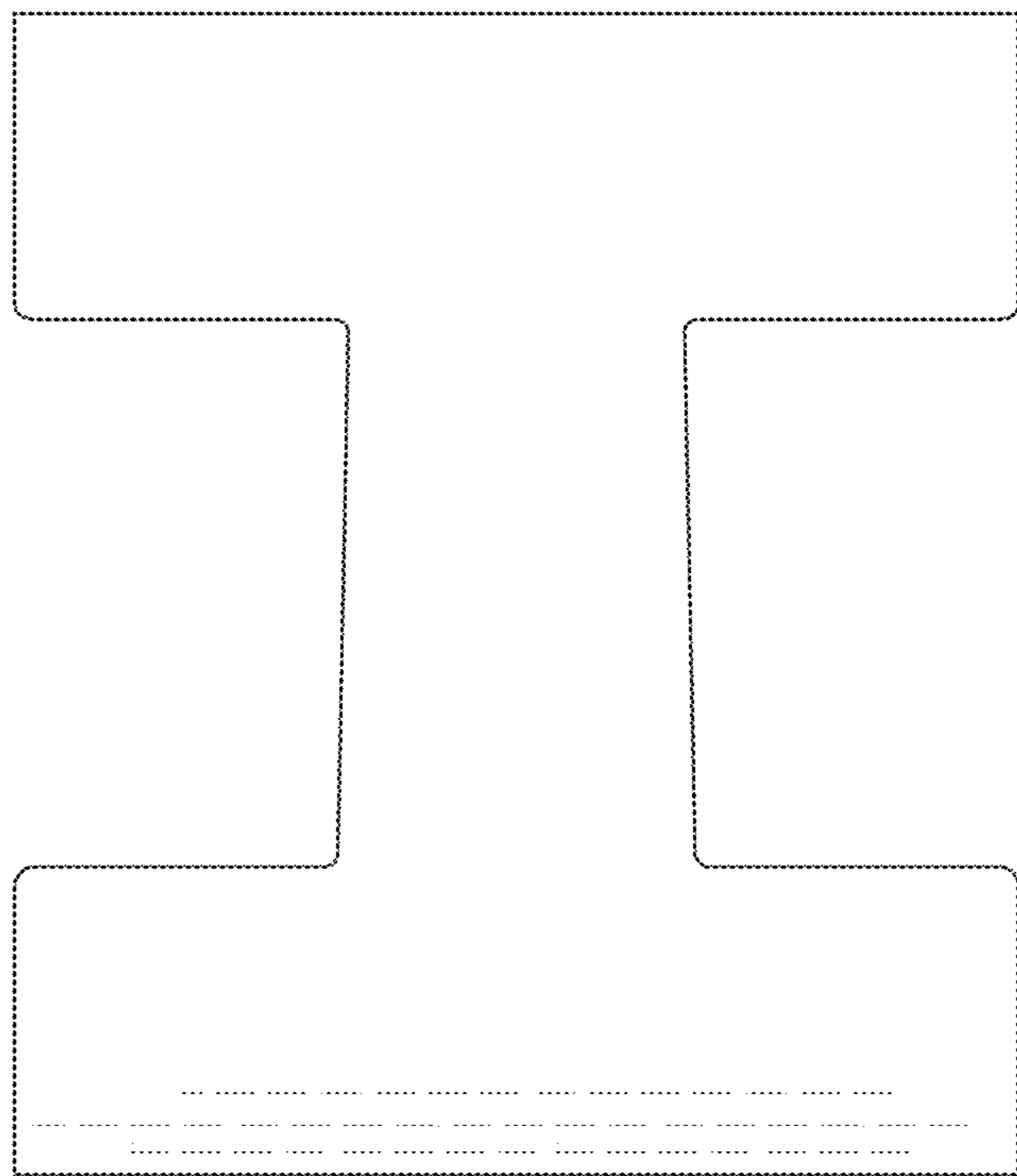


FIG. 63

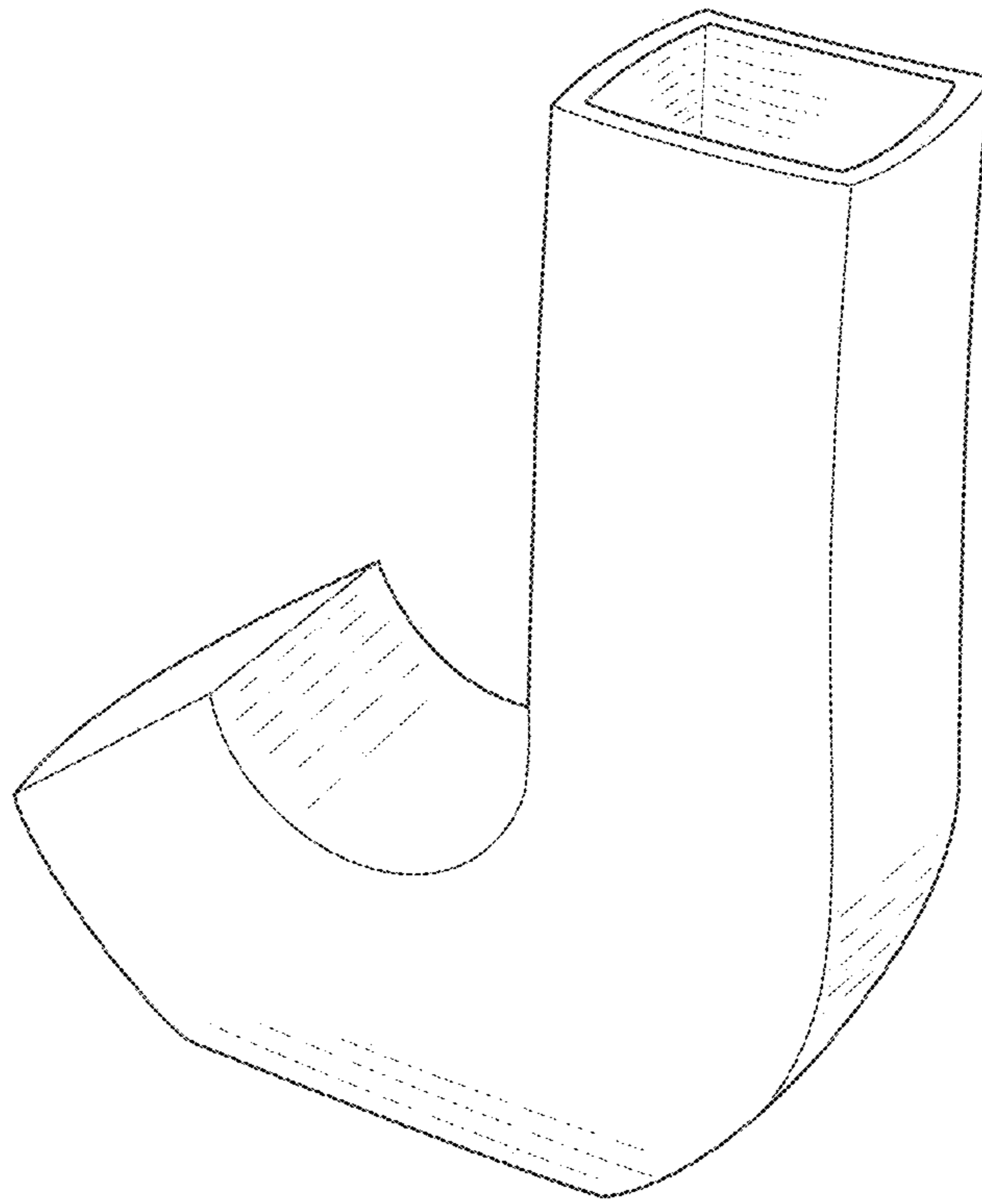


FIG. 64

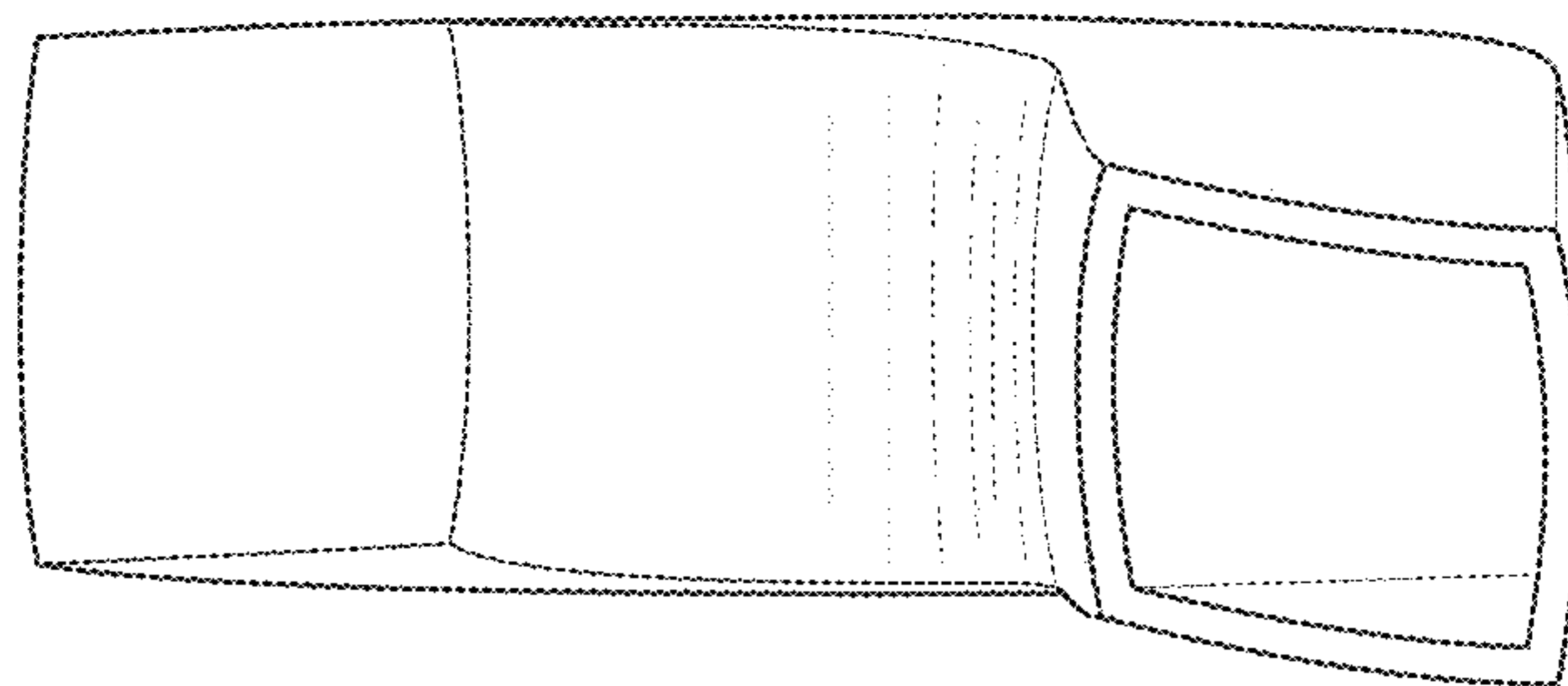


FIG. 65

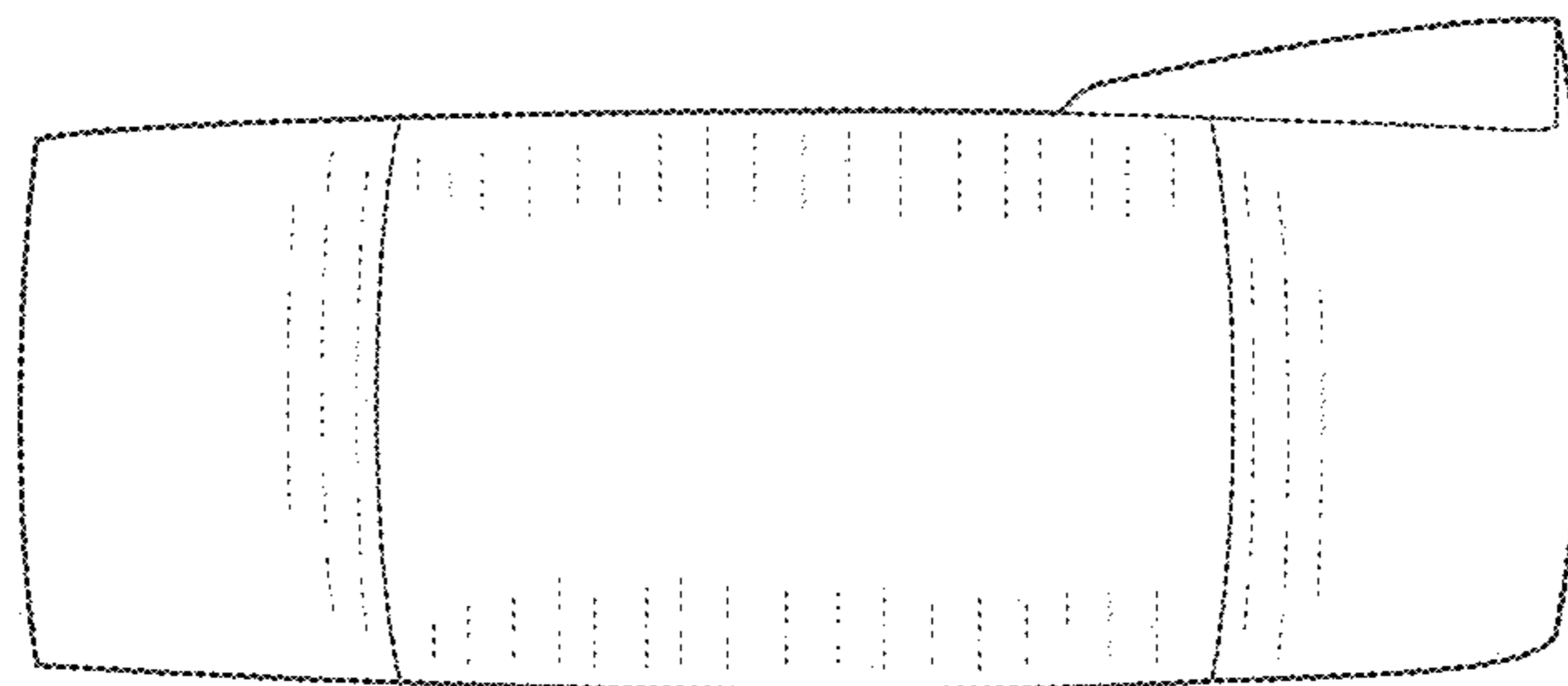


FIG. 66

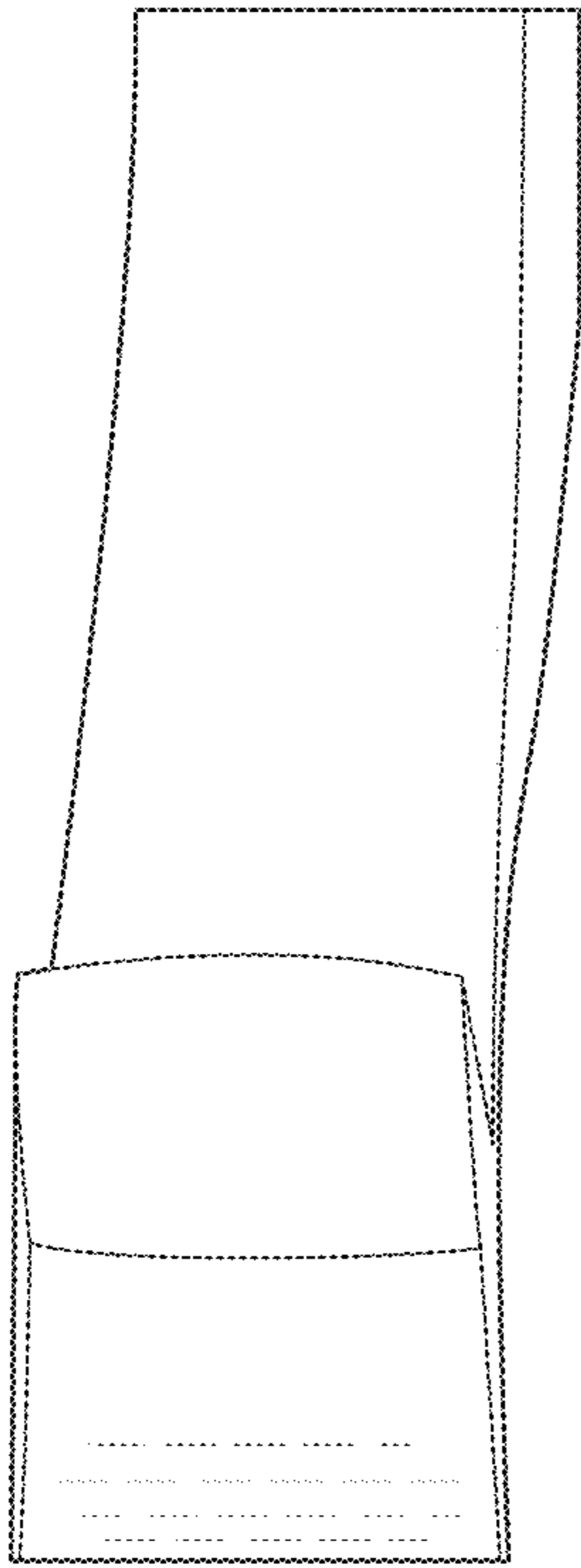


FIG. 67

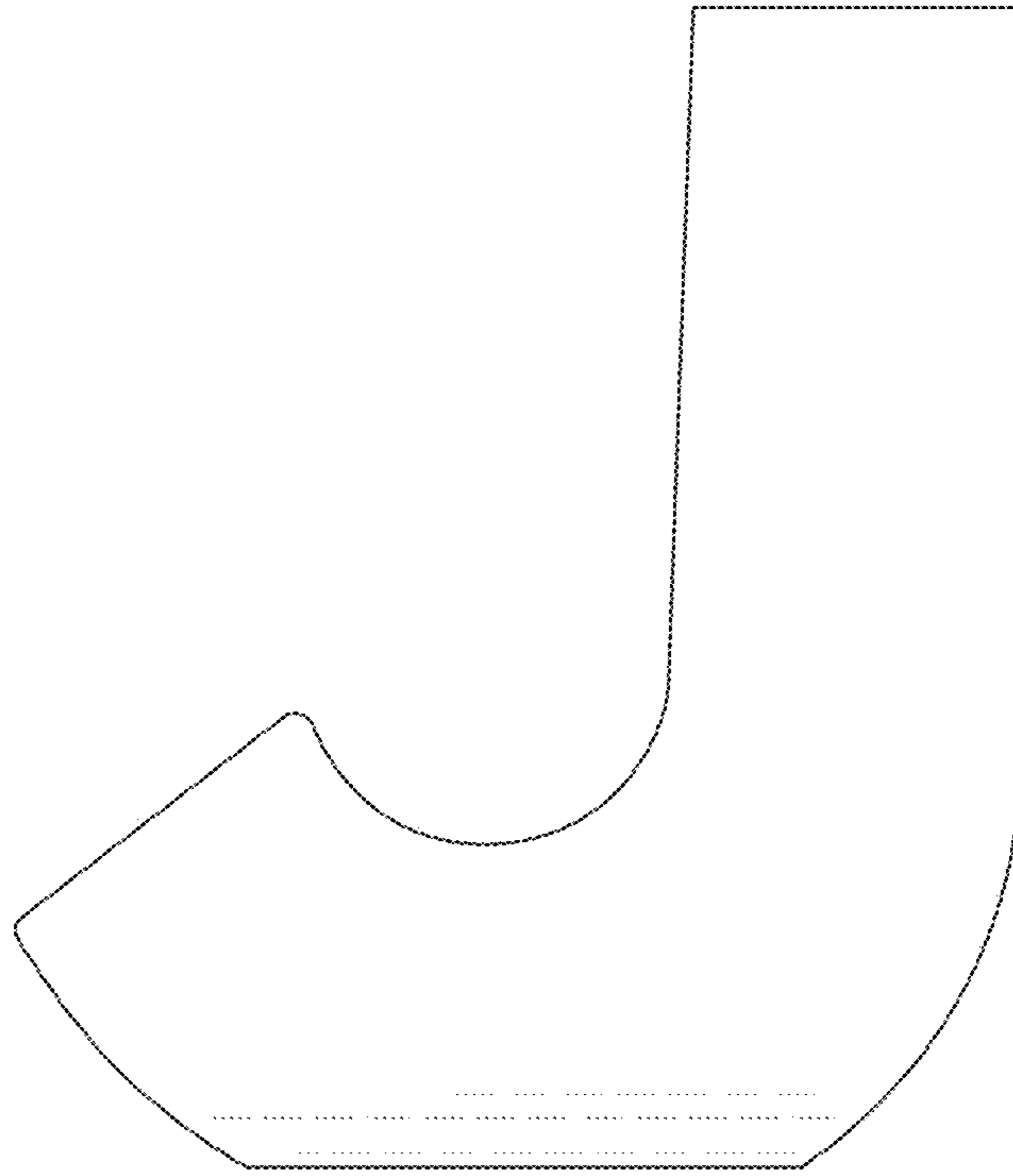


FIG. 68

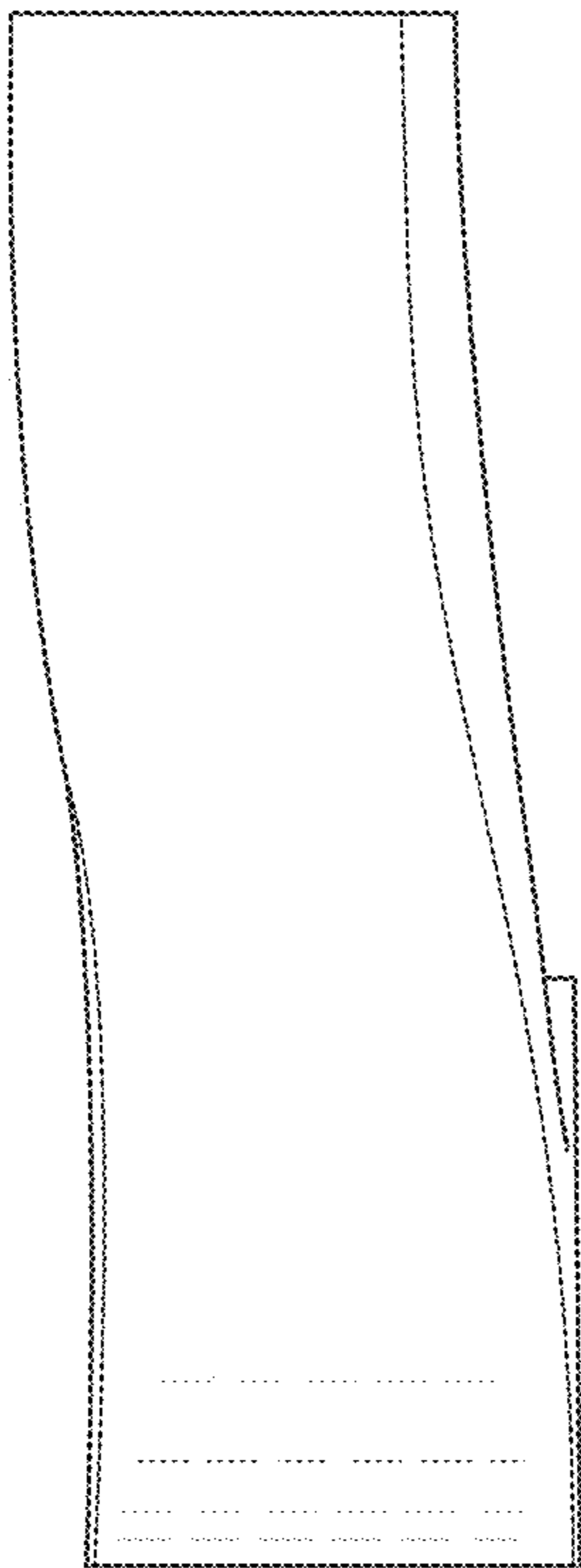


FIG. 69

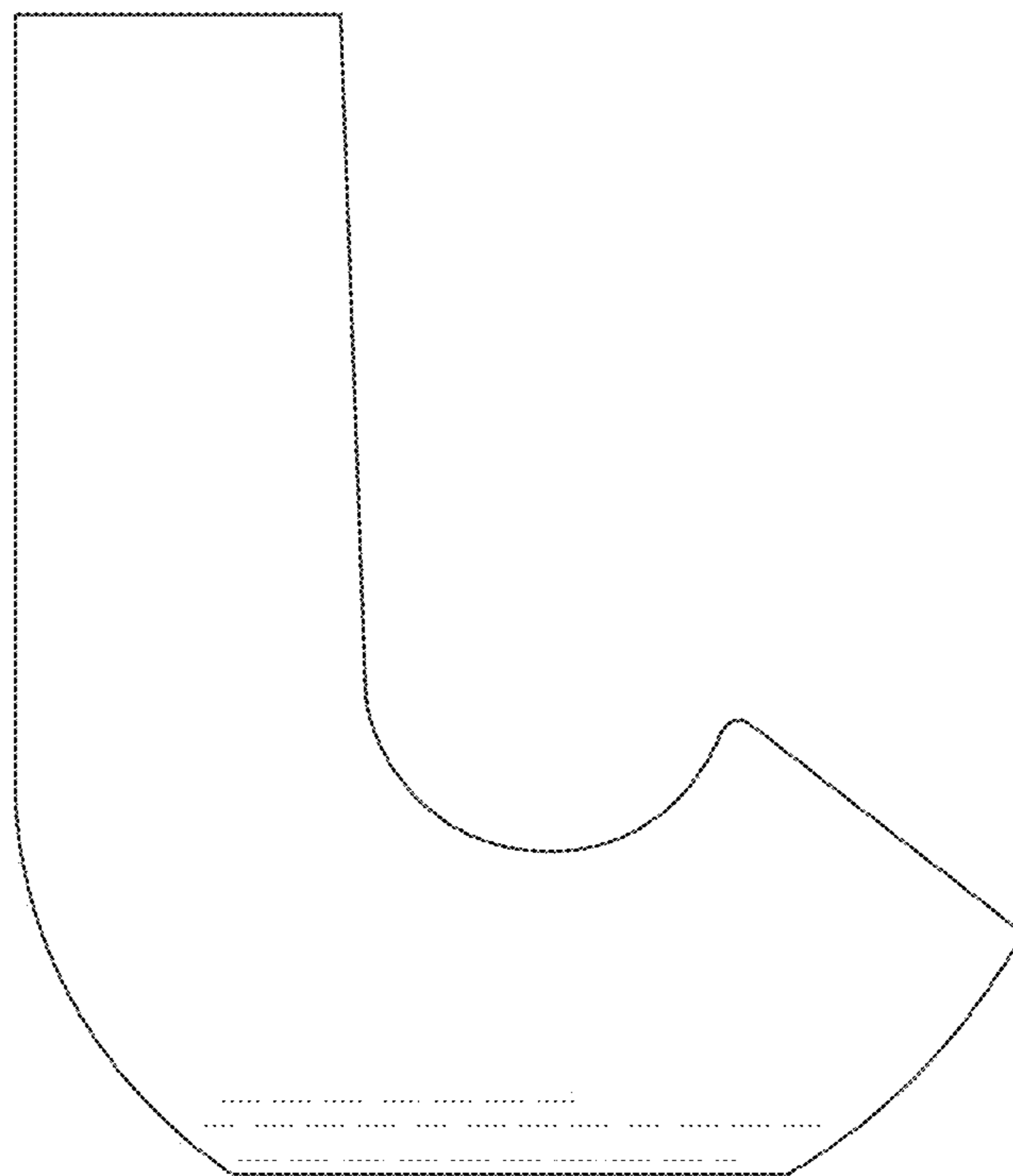


FIG. 70

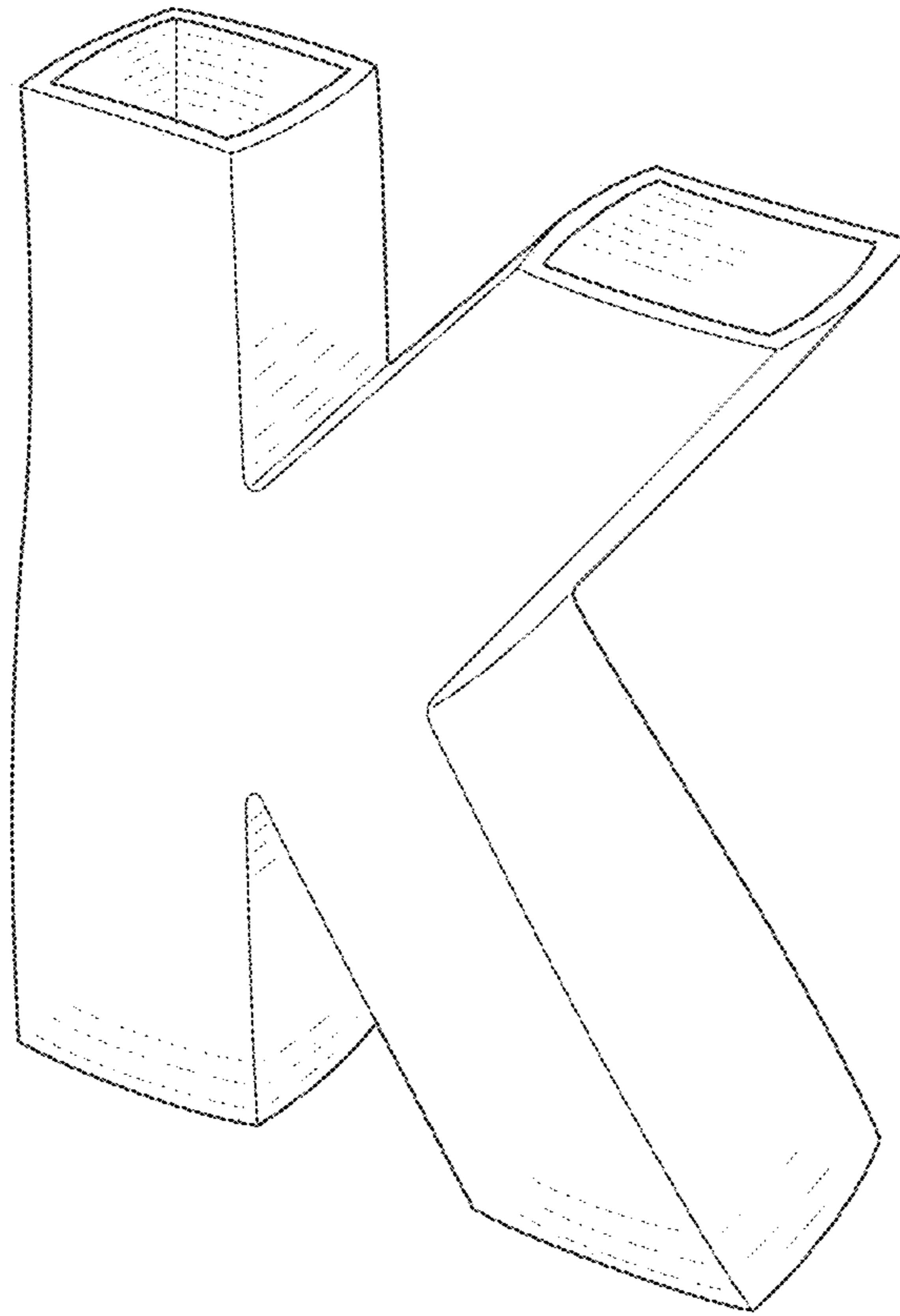


FIG. 71

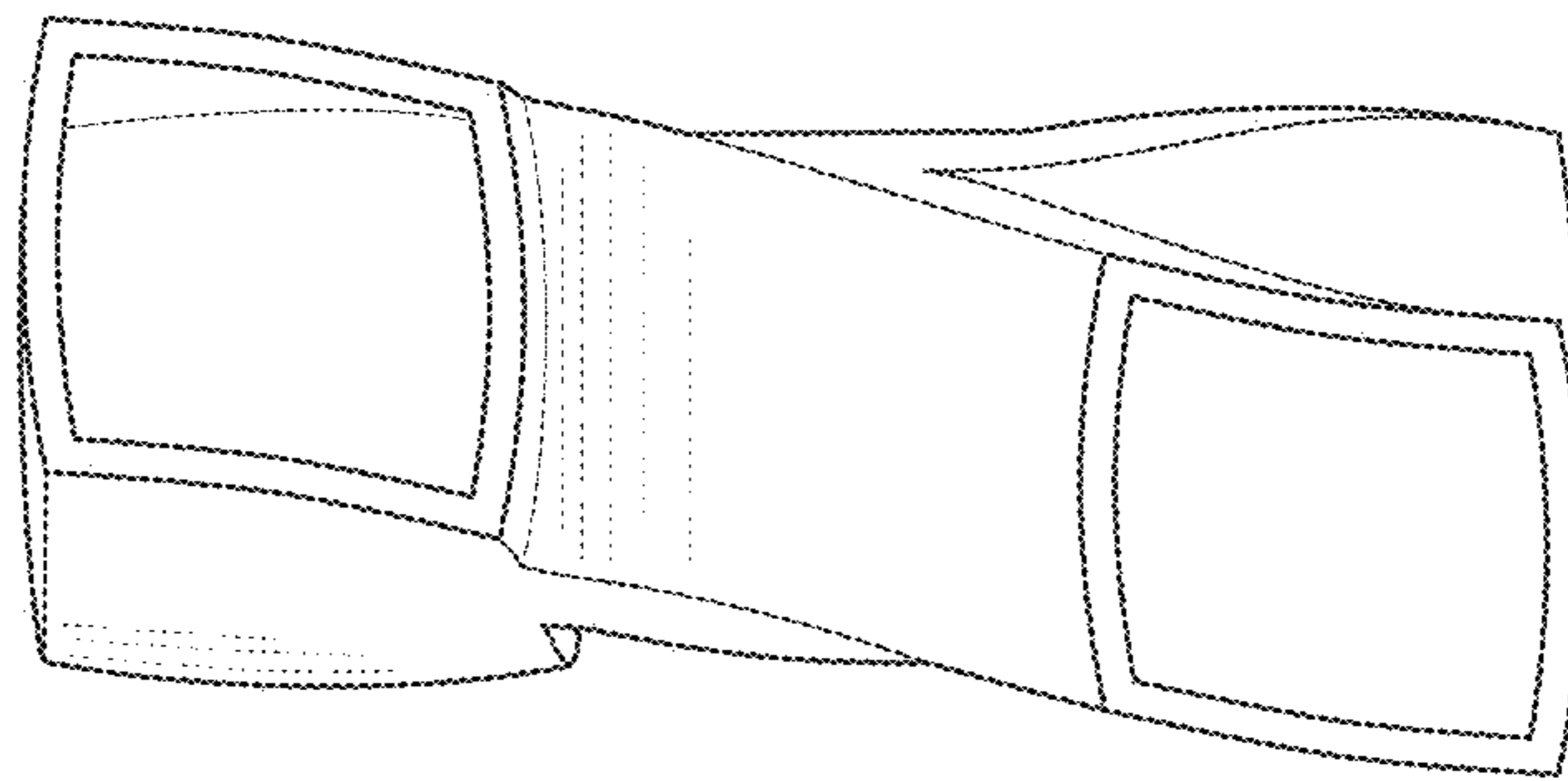


FIG. 72

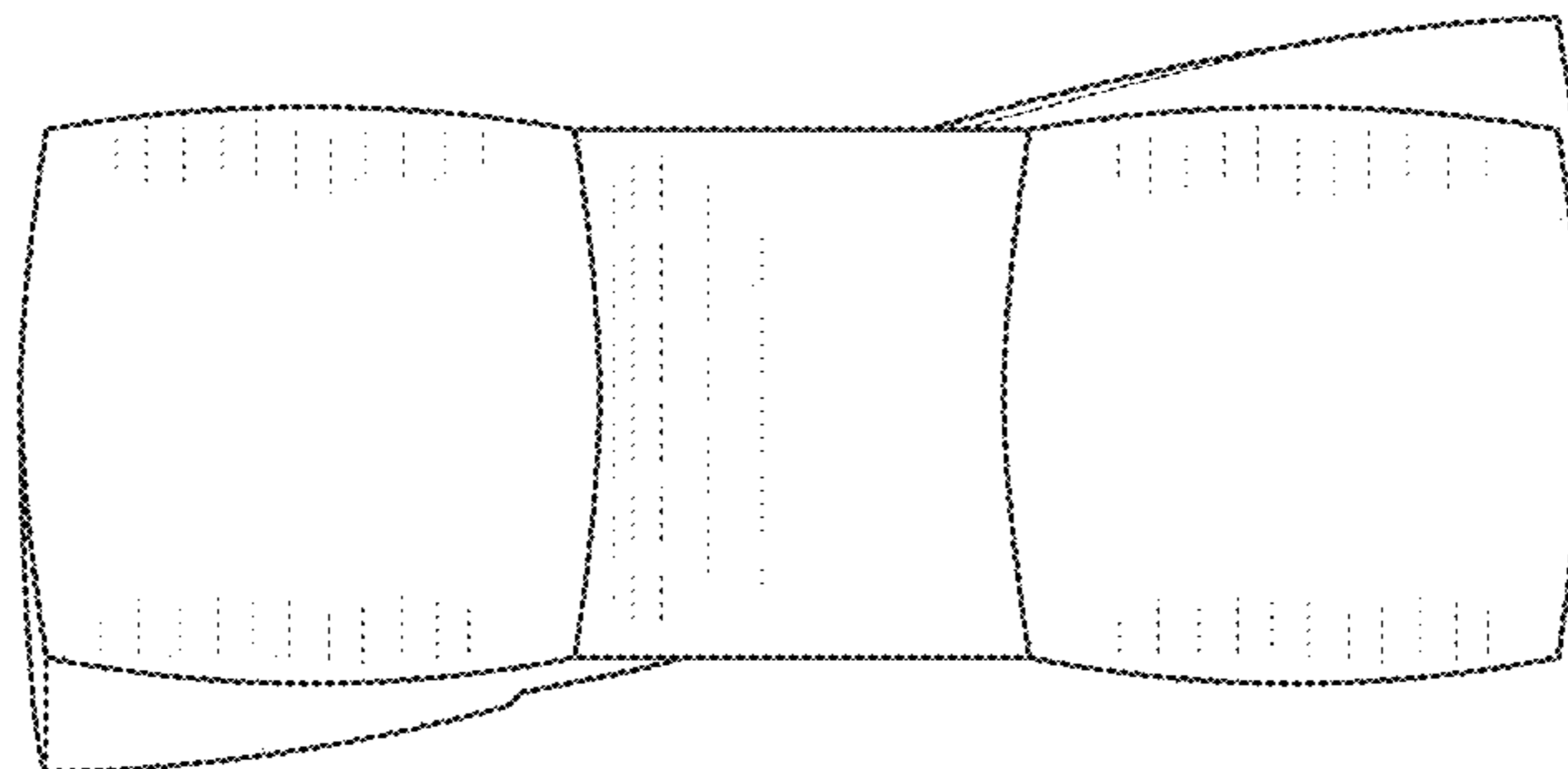


FIG. 73



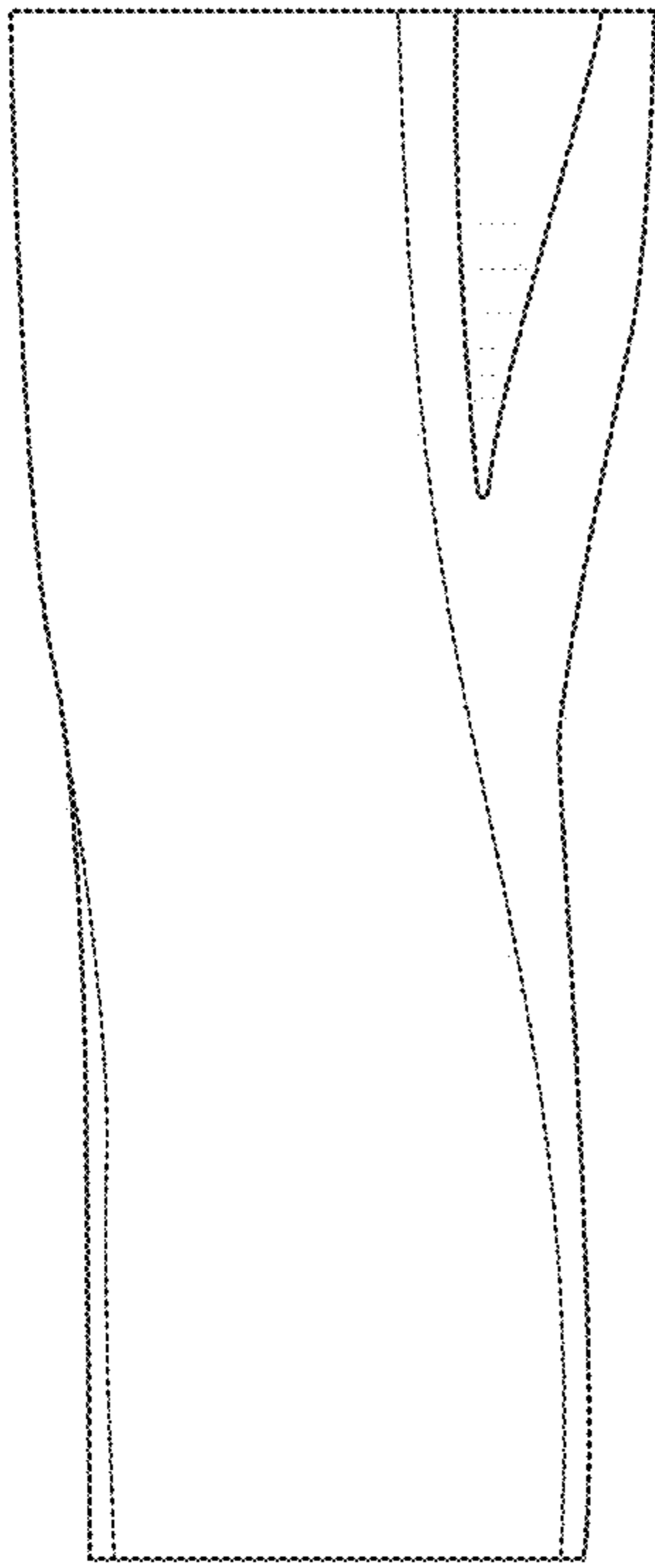


FIG. 74

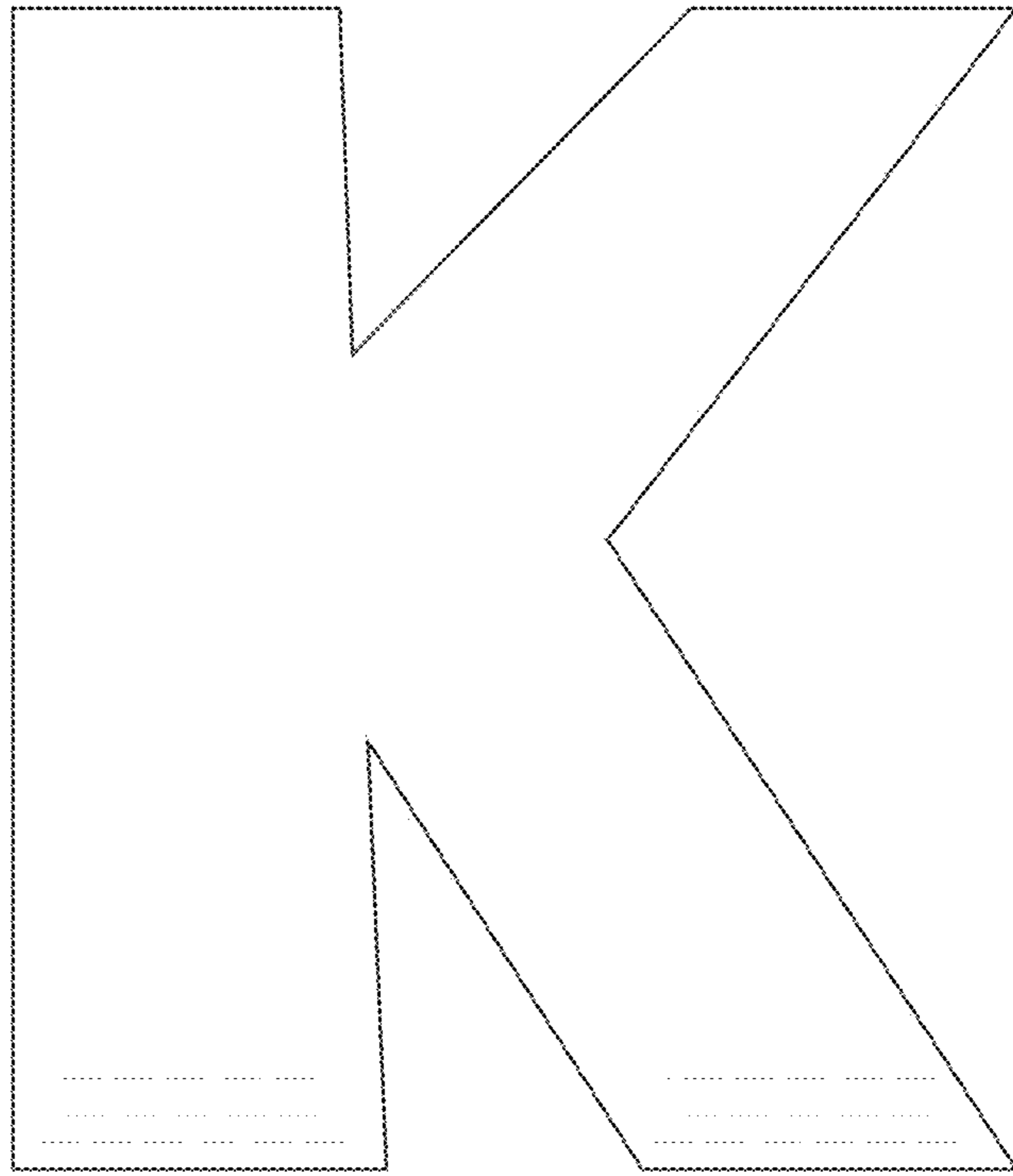


FIG. 75

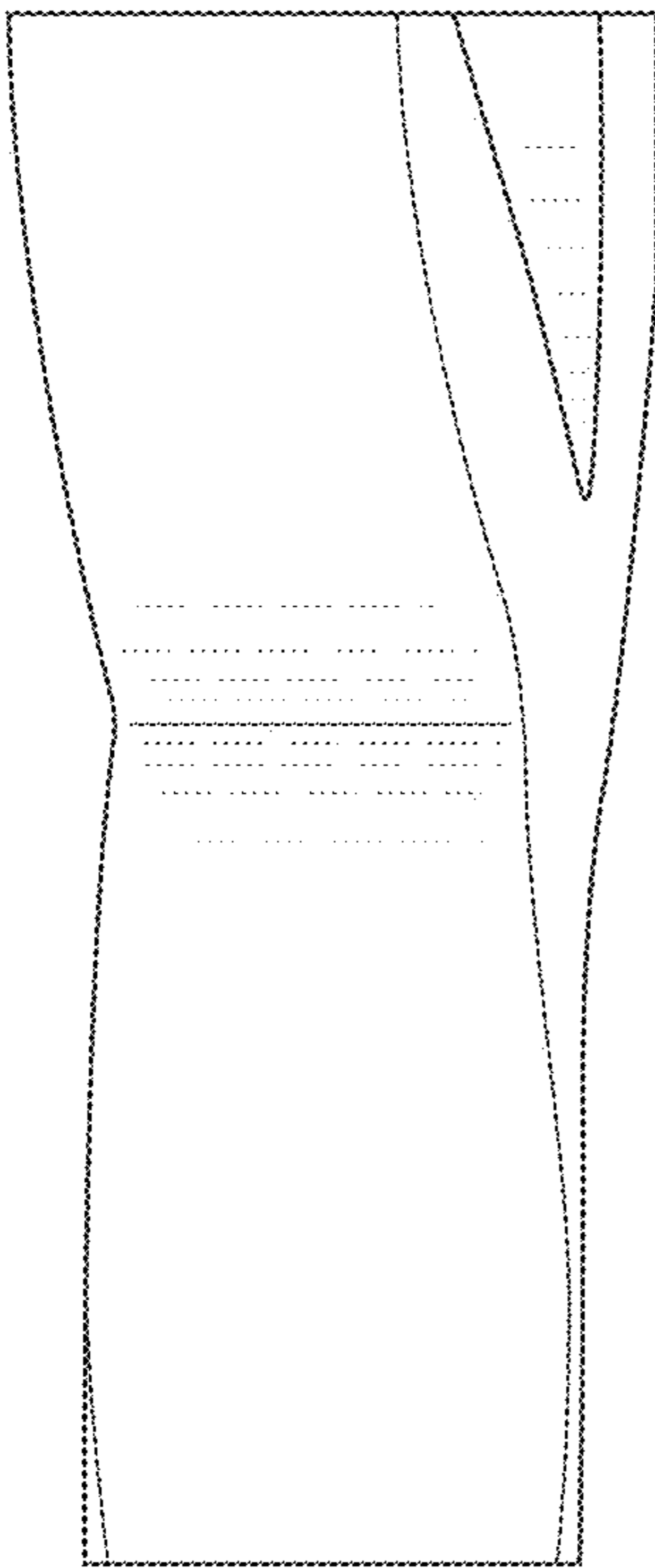


FIG. 76

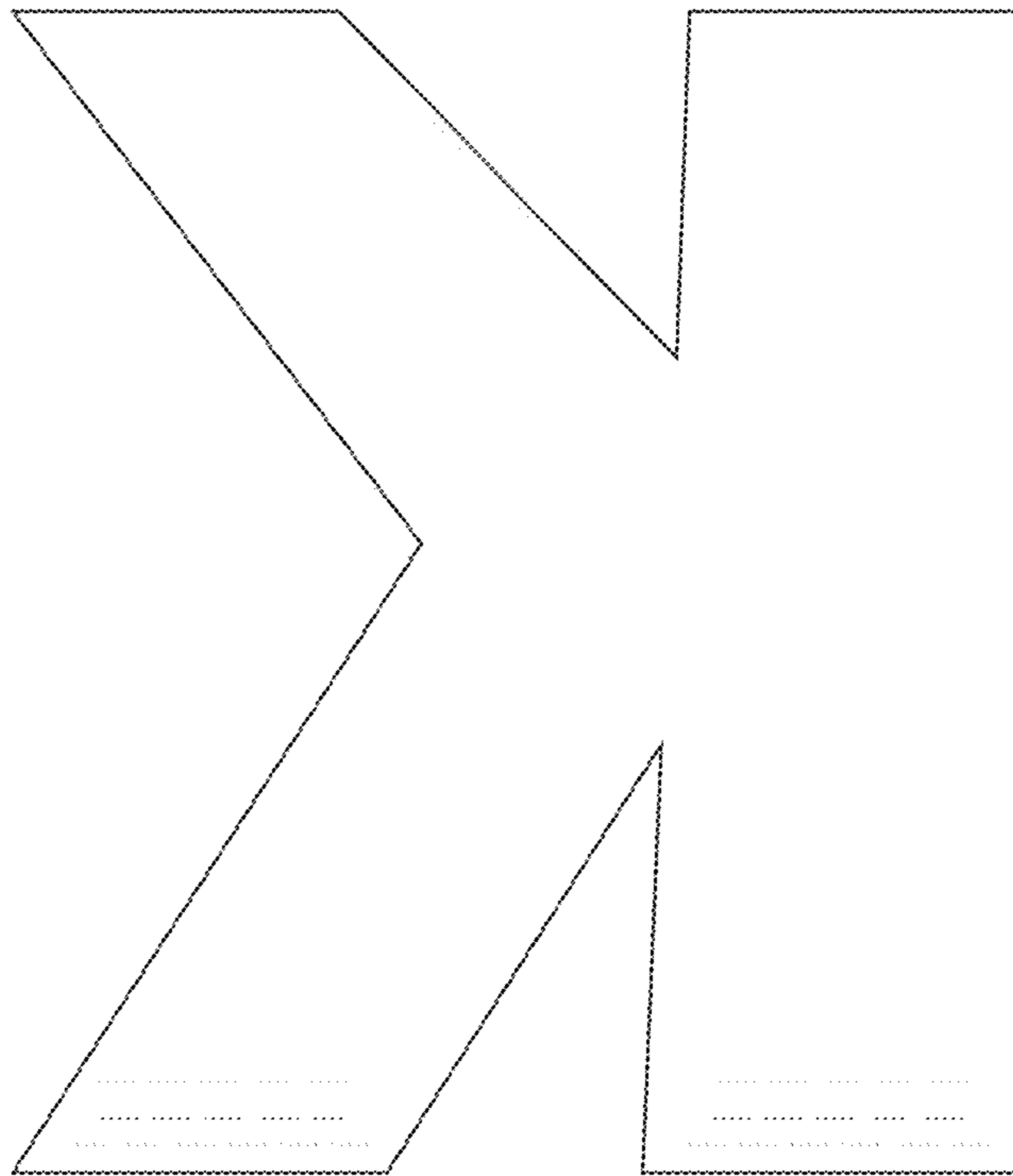


FIG. 77

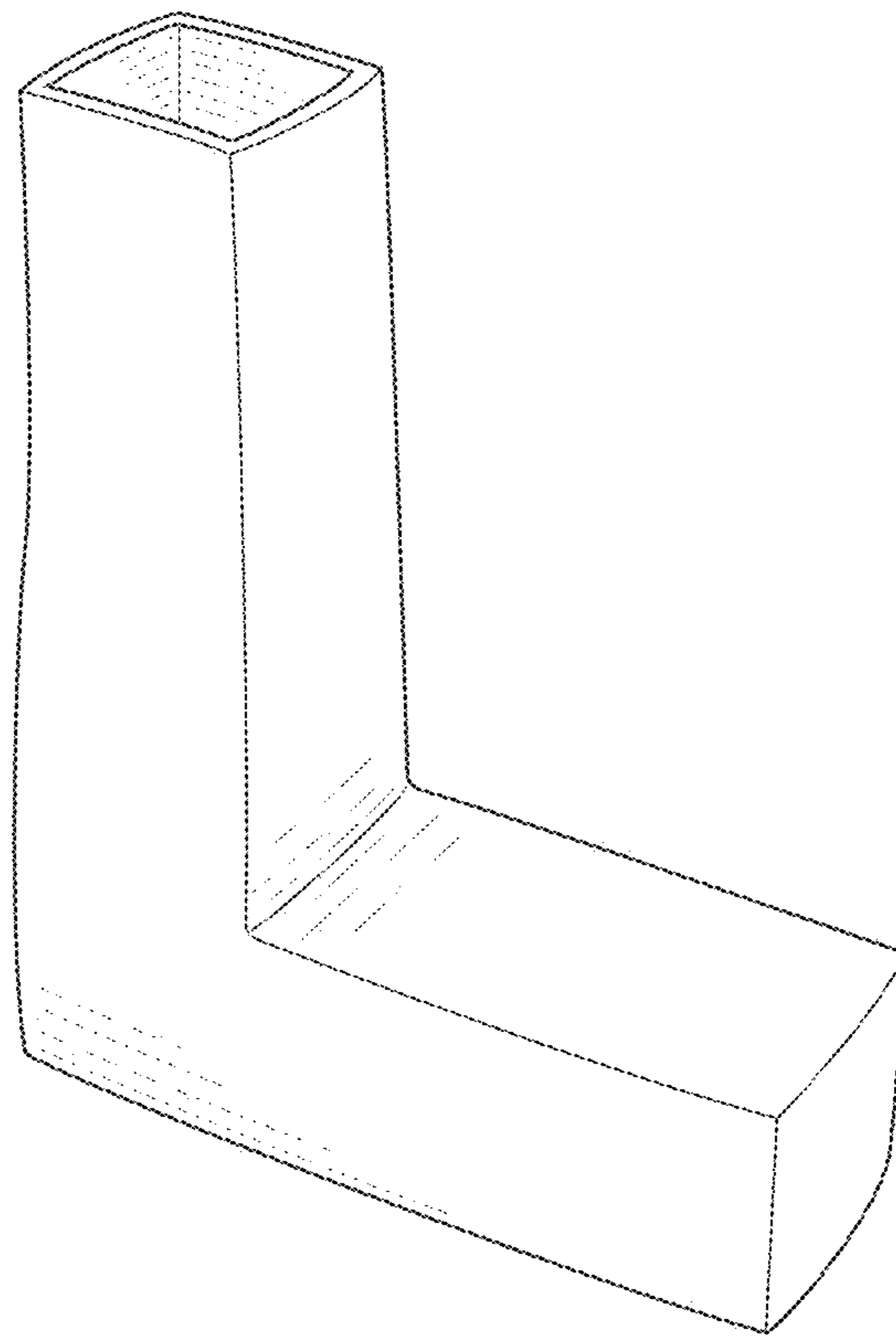


FIG. 78

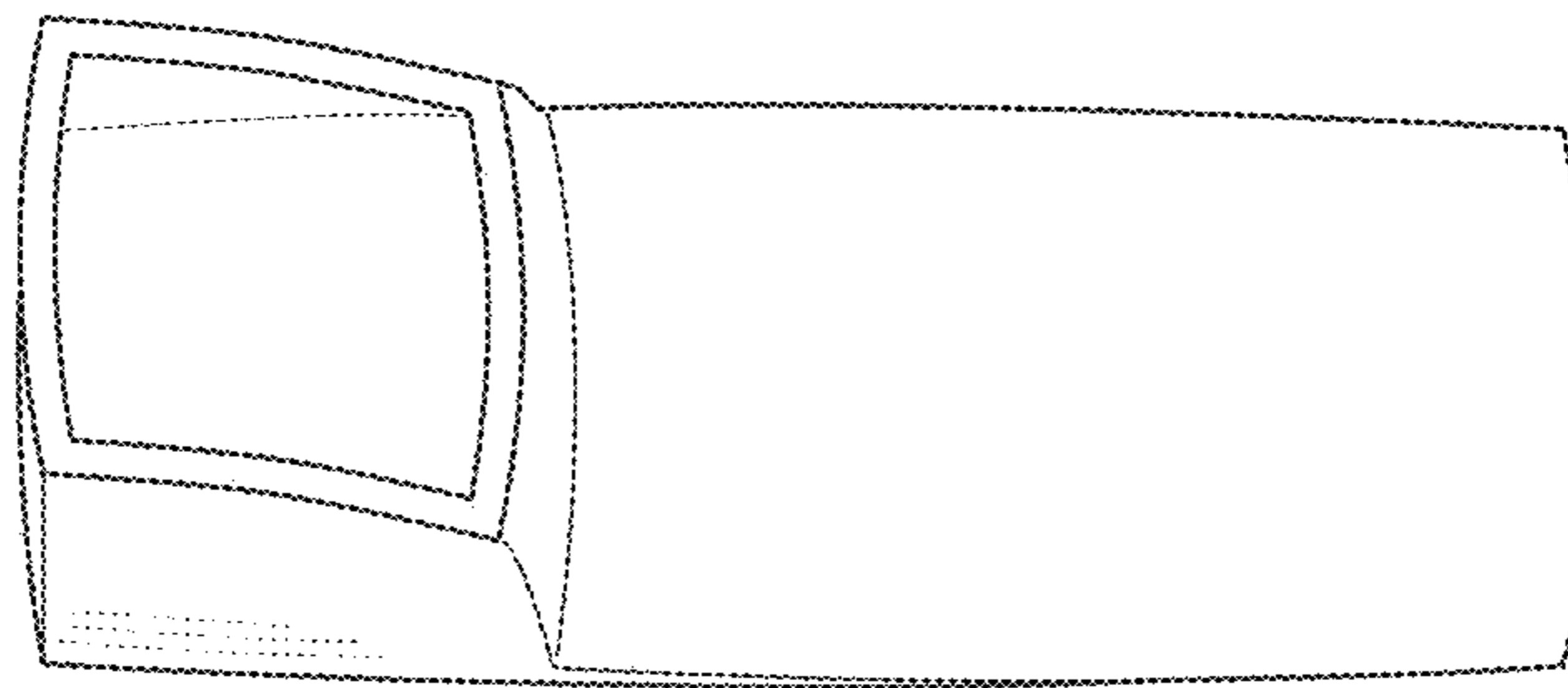


FIG. 79

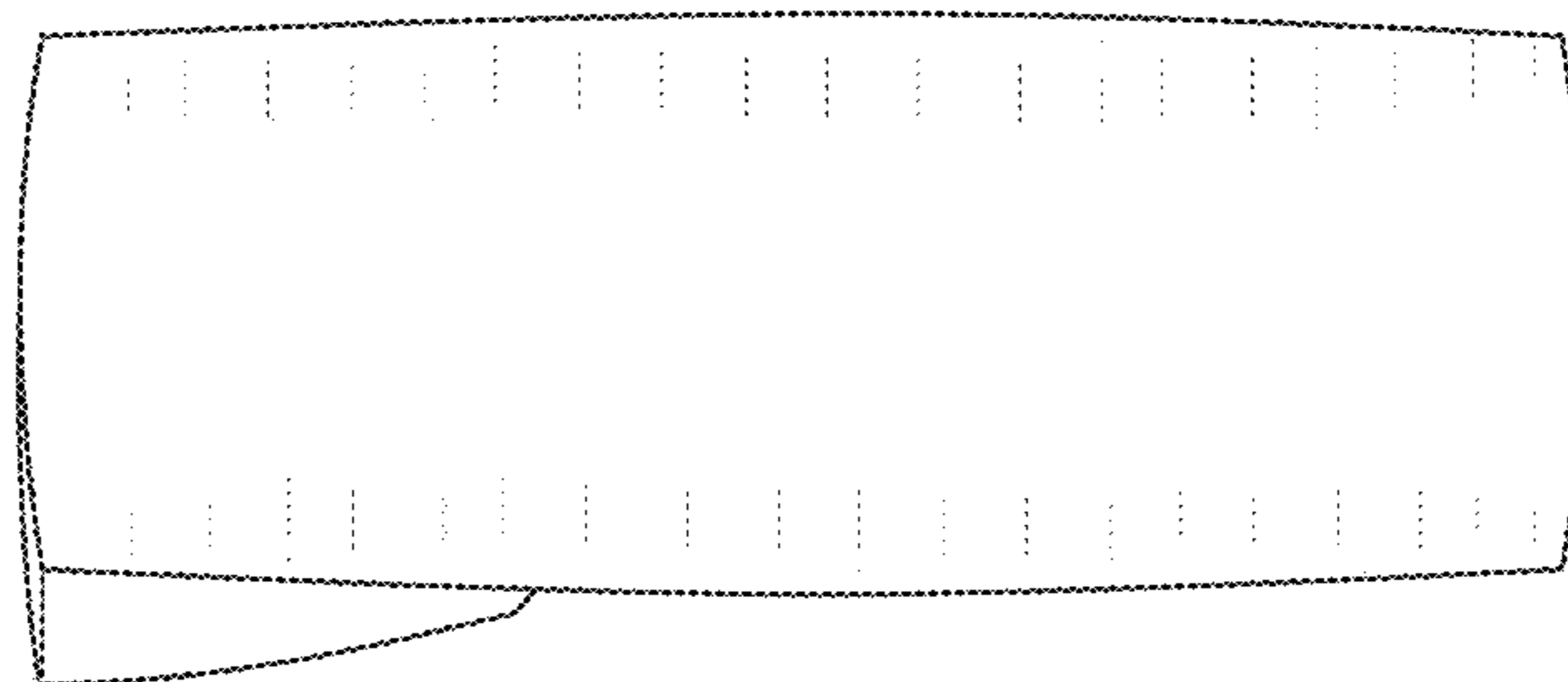


FIG. 80

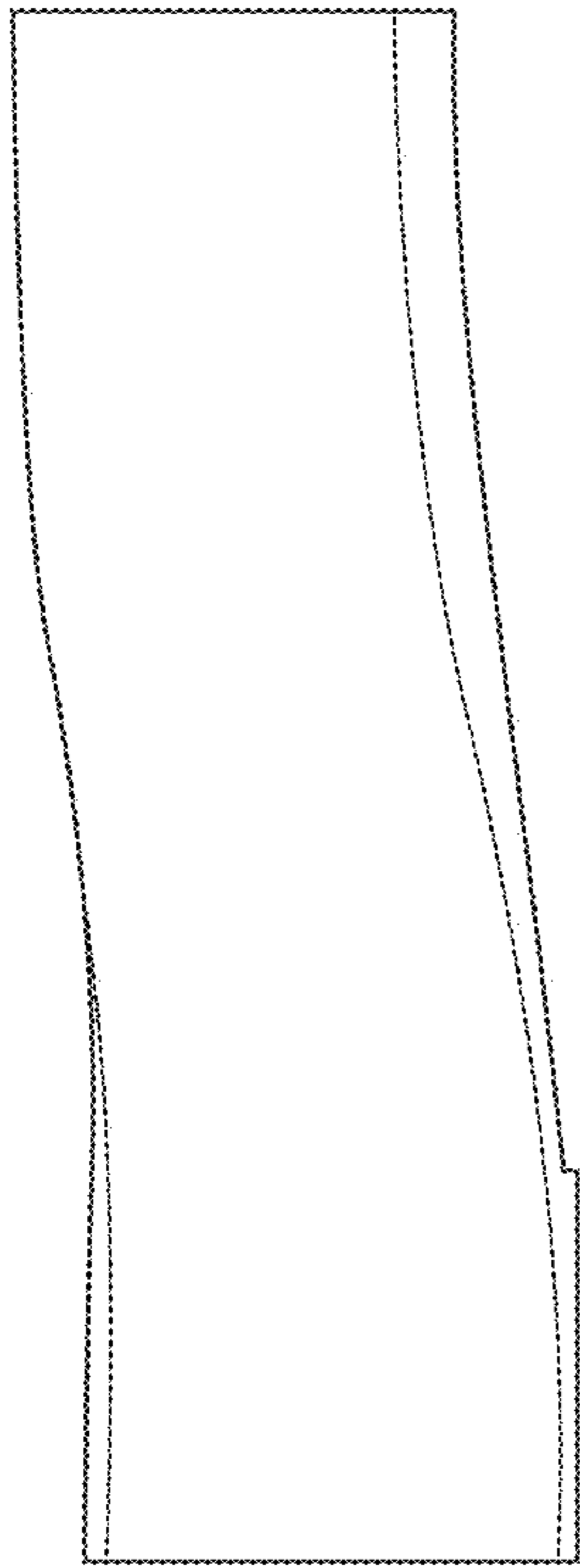


FIG. 81

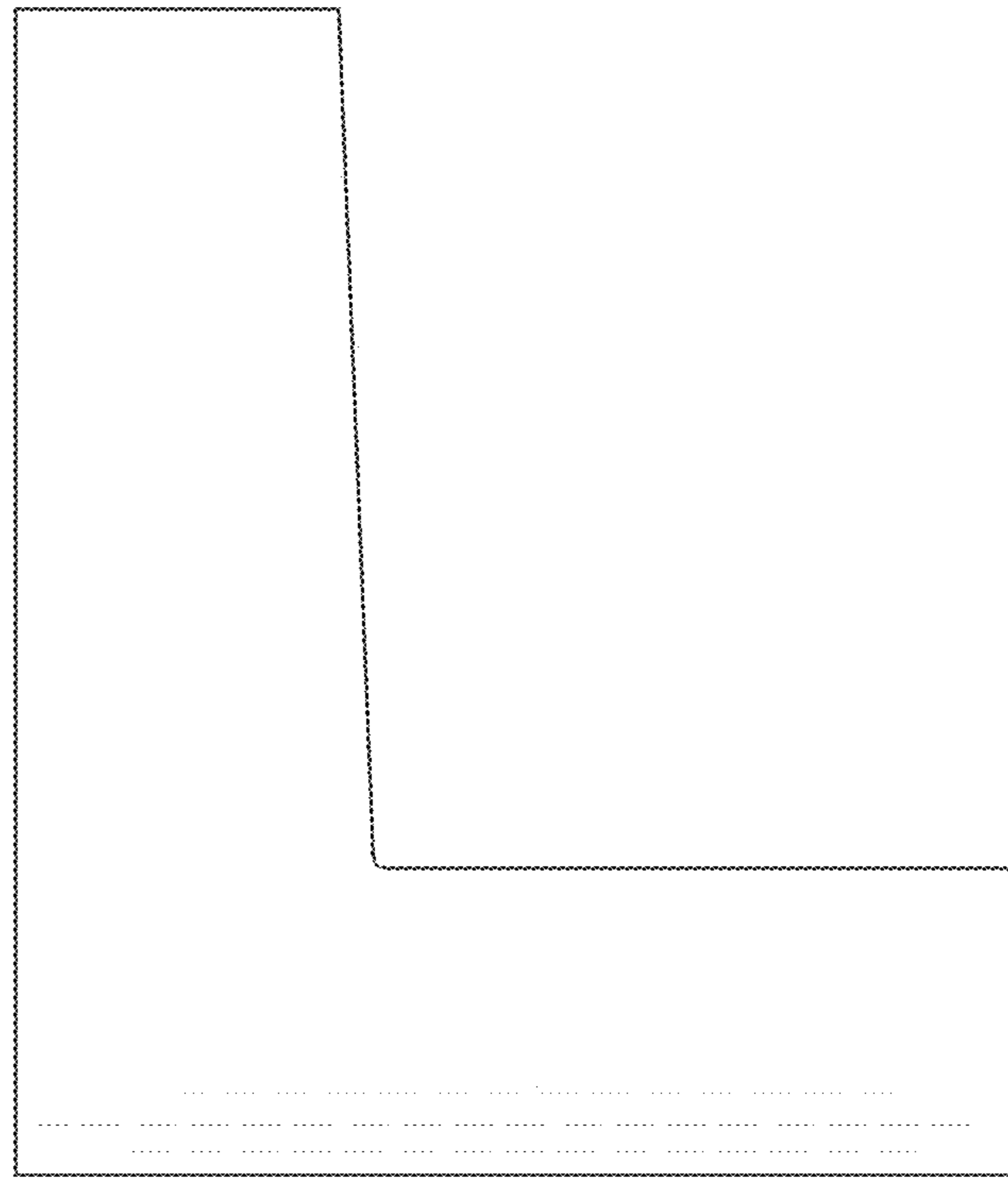


FIG. 82

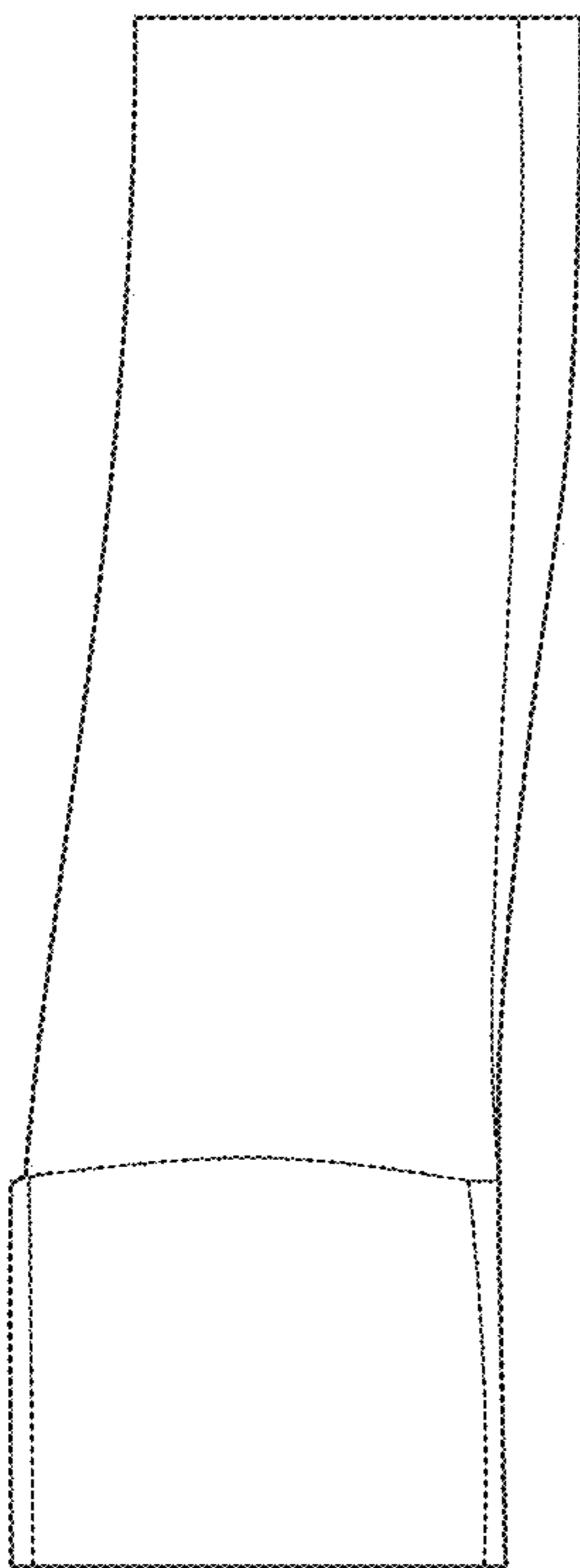


FIG. 83

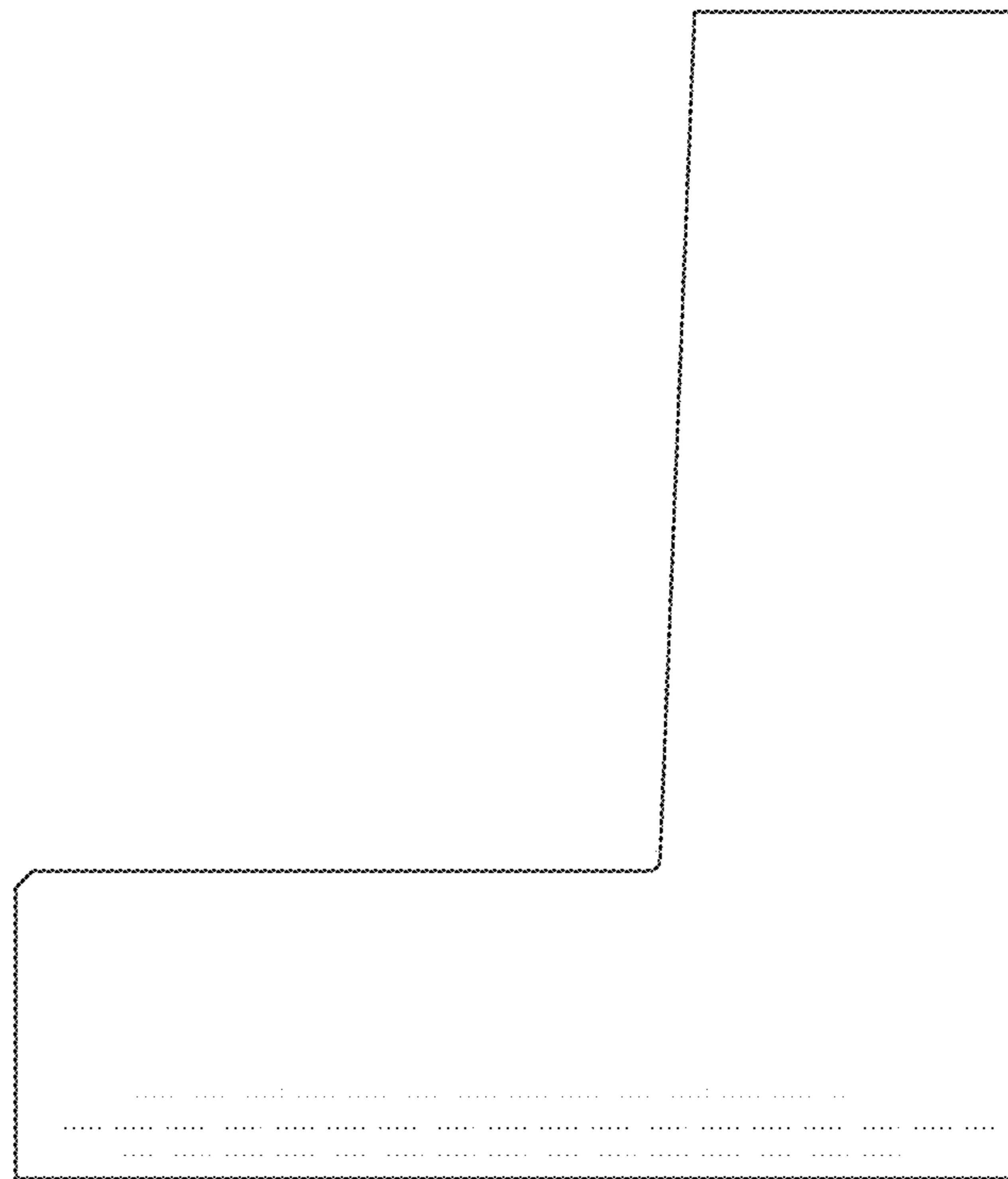


FIG. 84

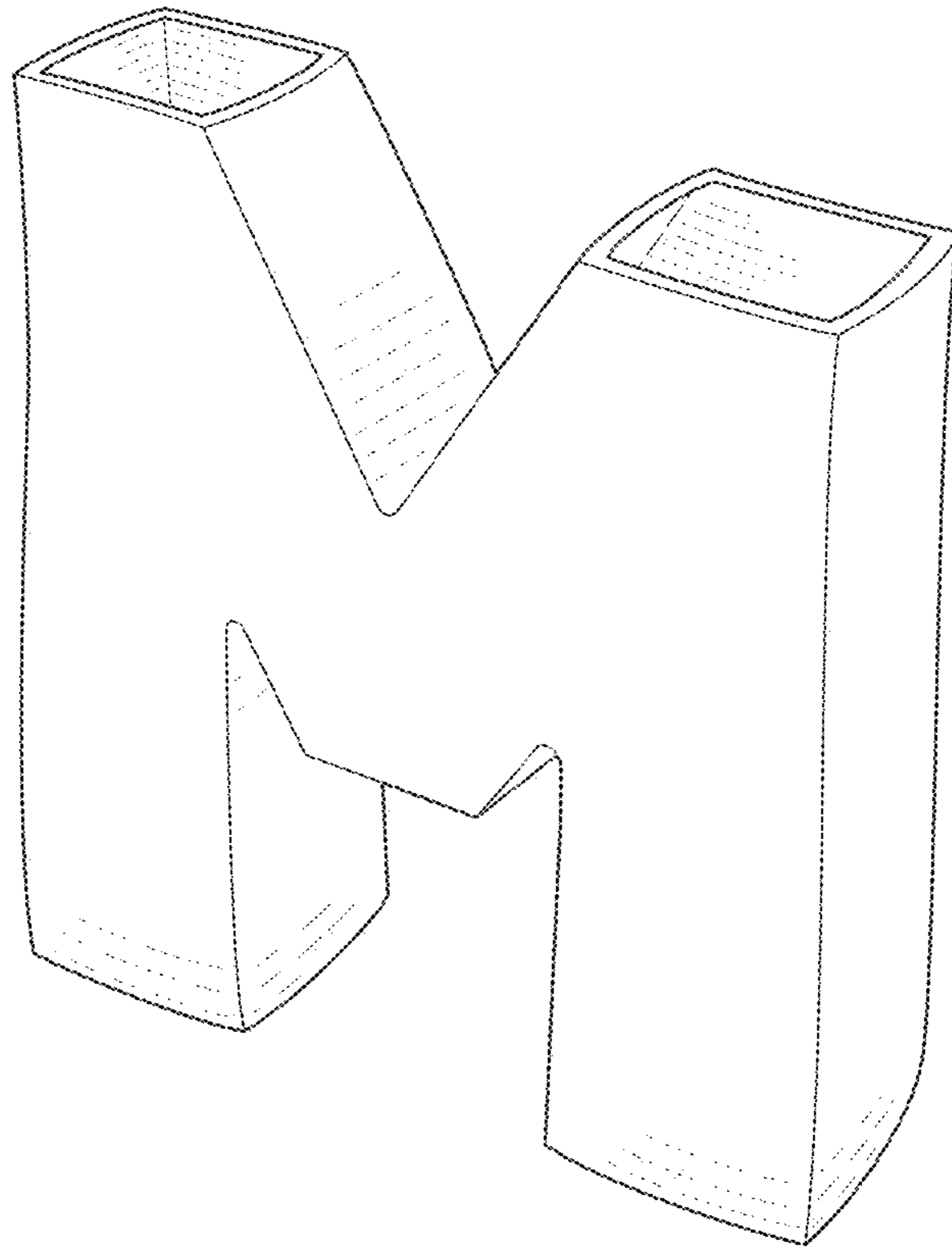


FIG. 85

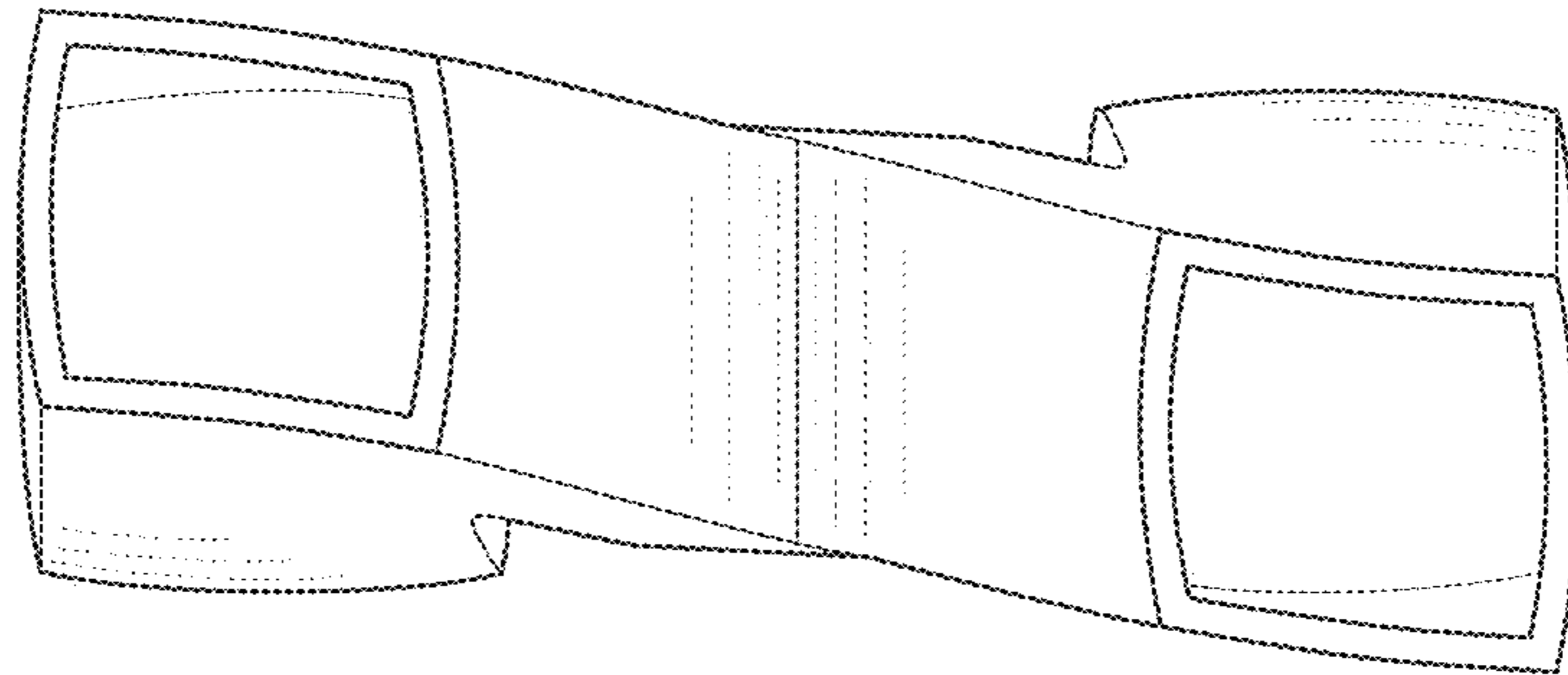


FIG. 86

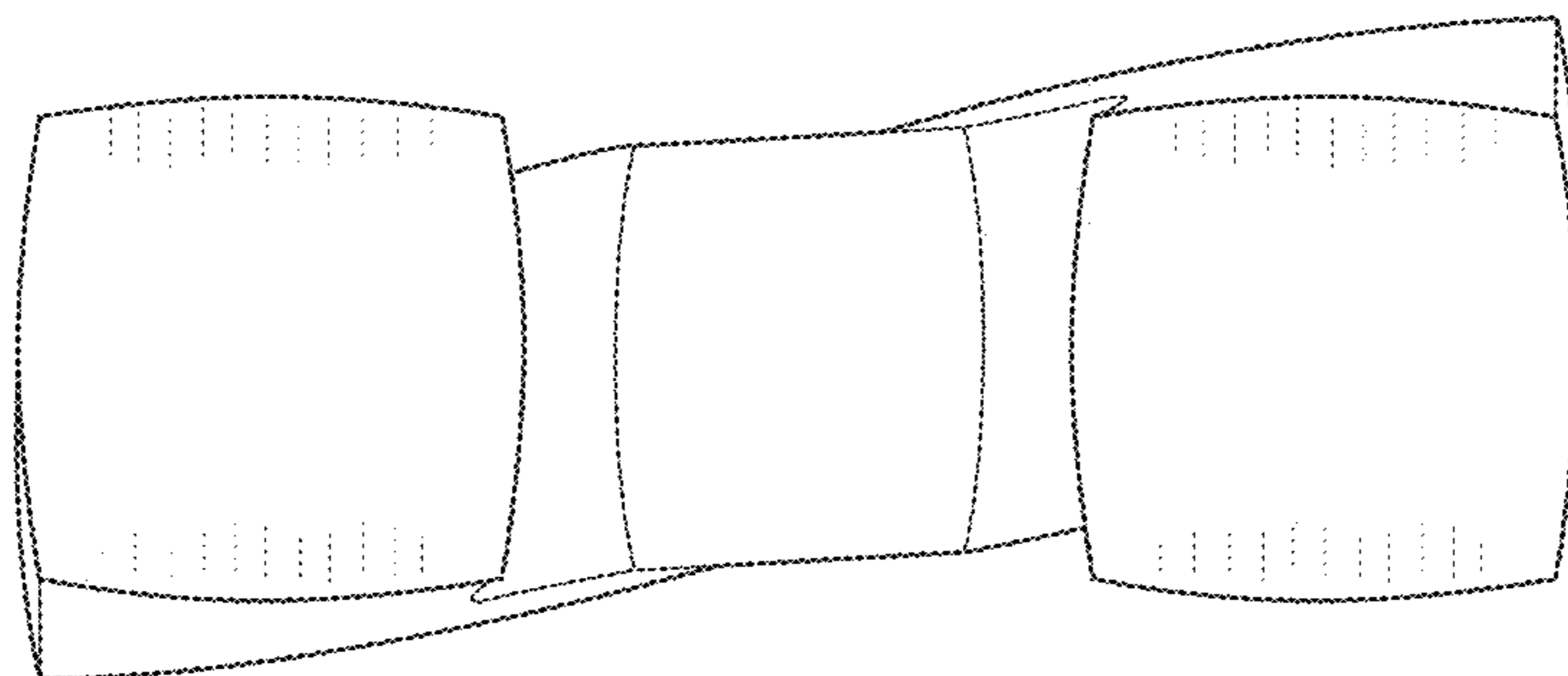


FIG. 87

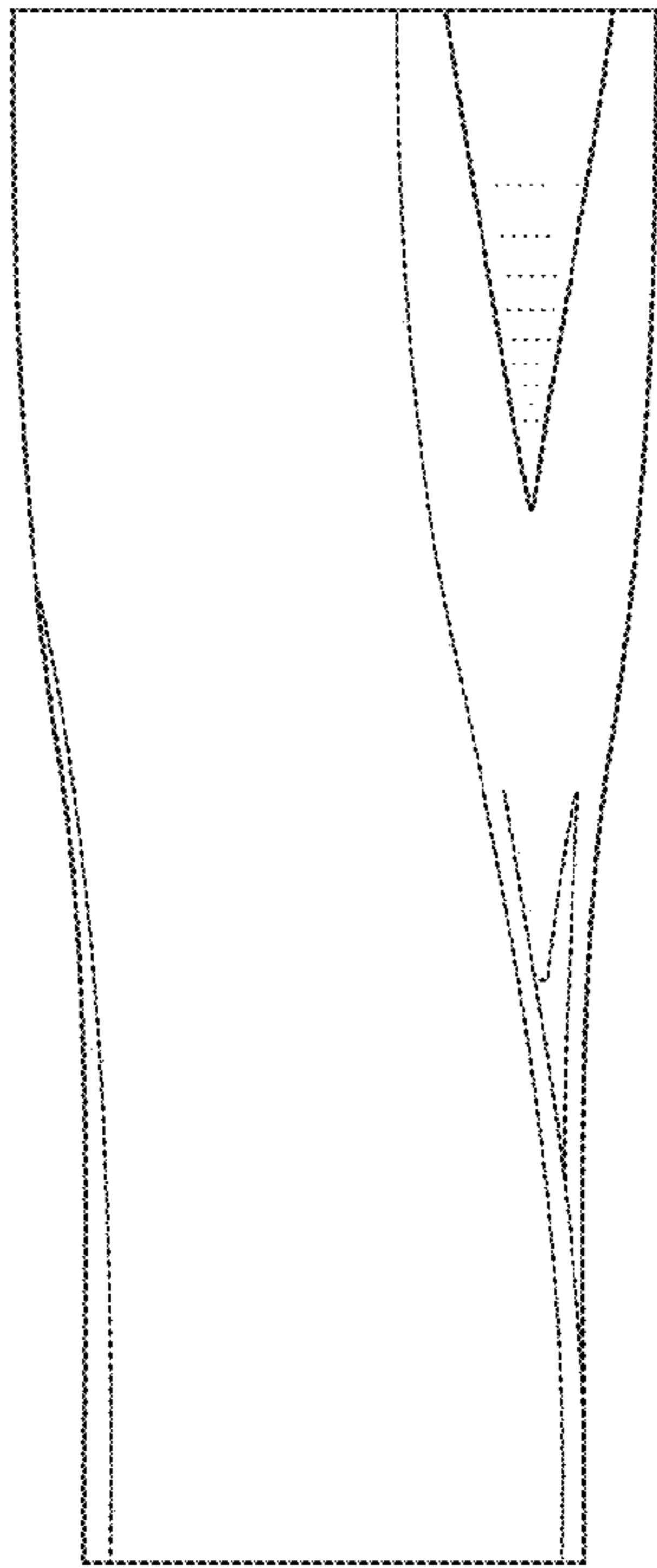


FIG. 88

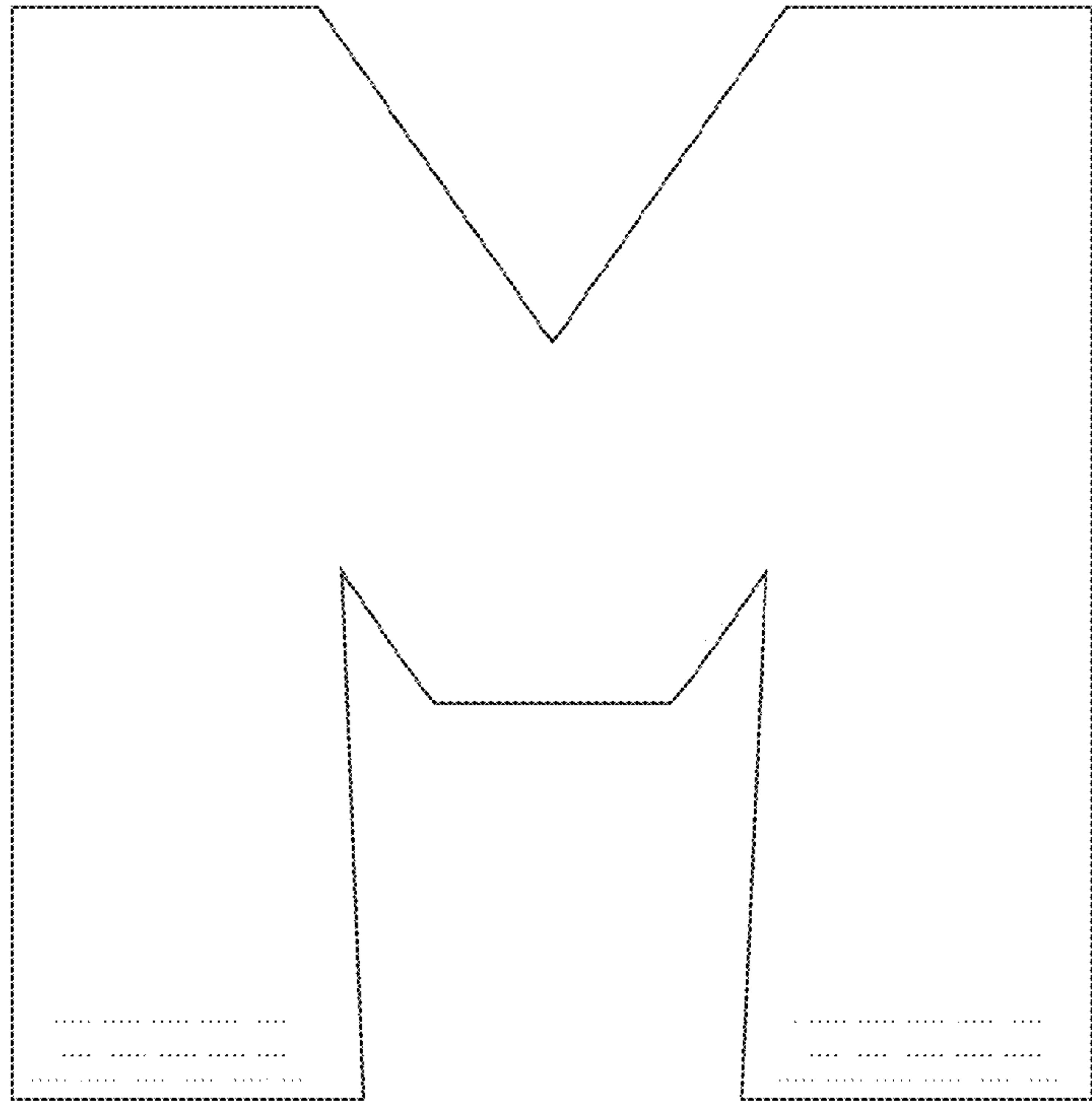


FIG. 89

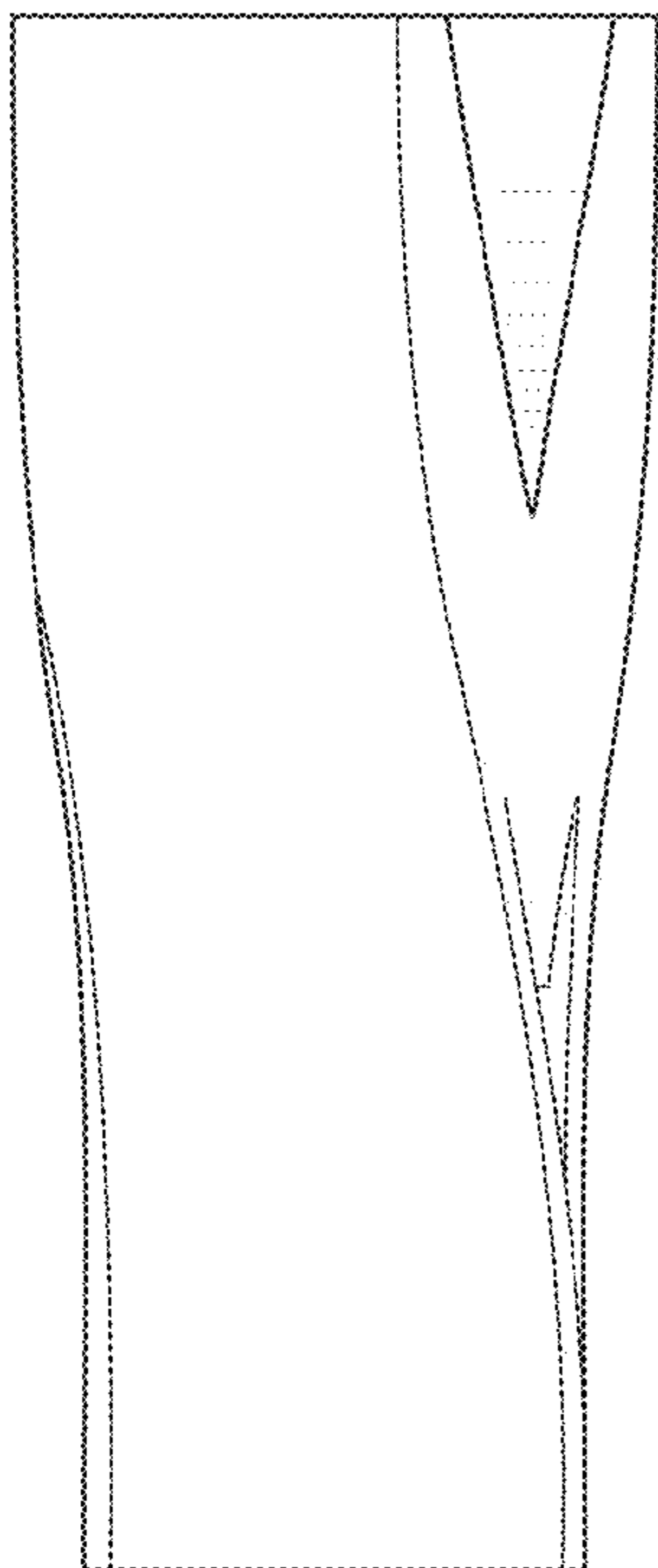


FIG. 90

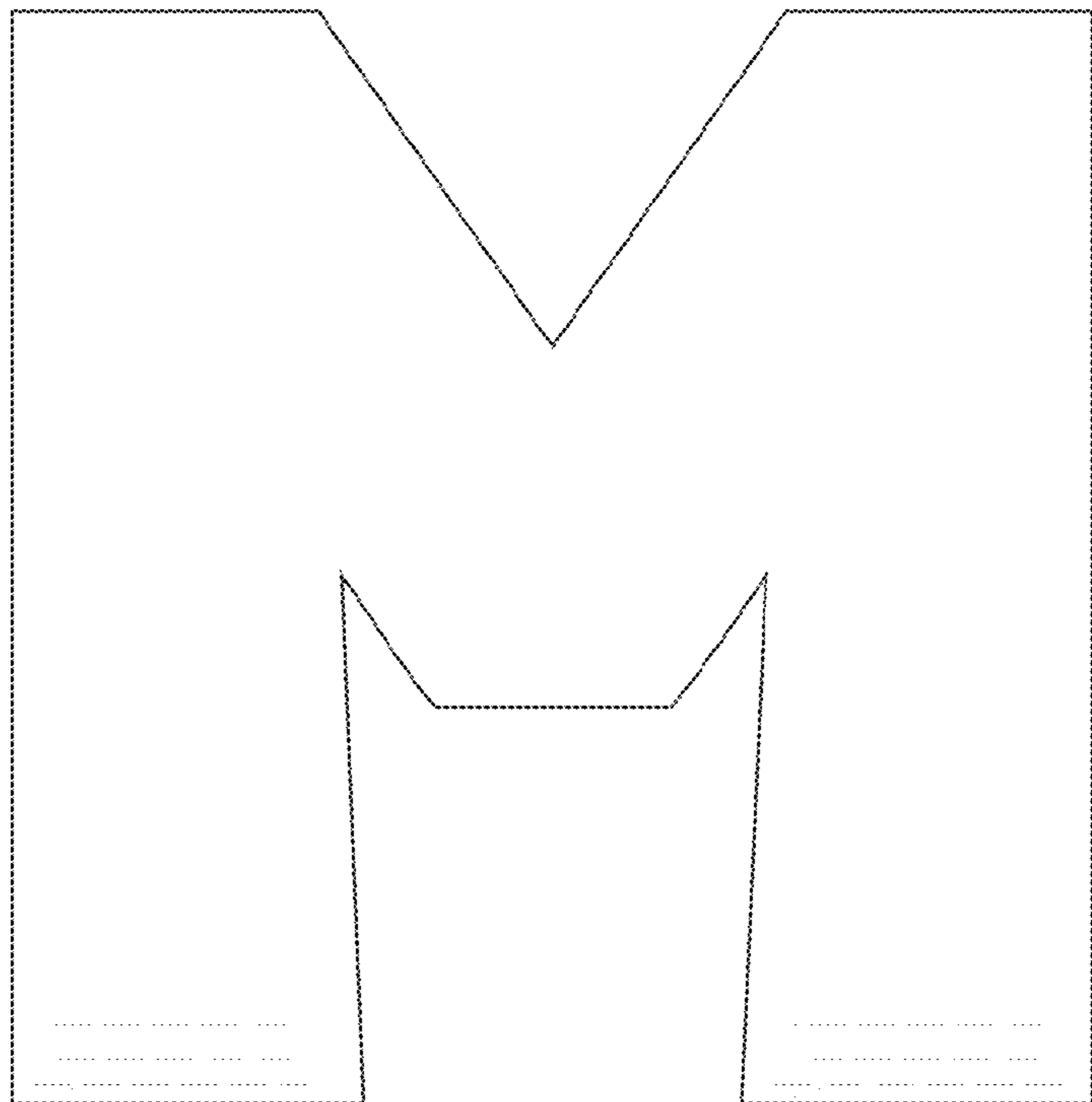


FIG. 91

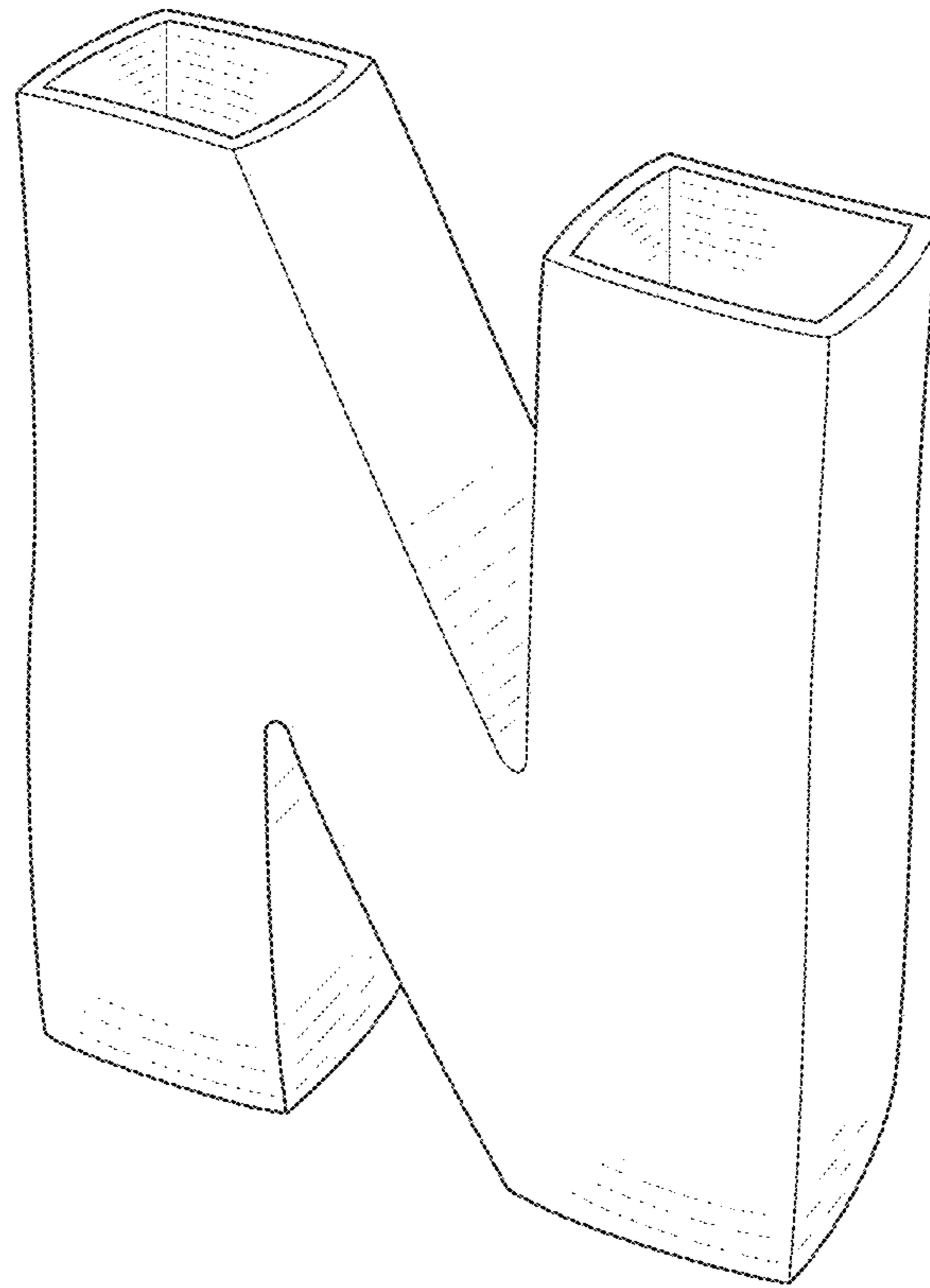


FIG. 92

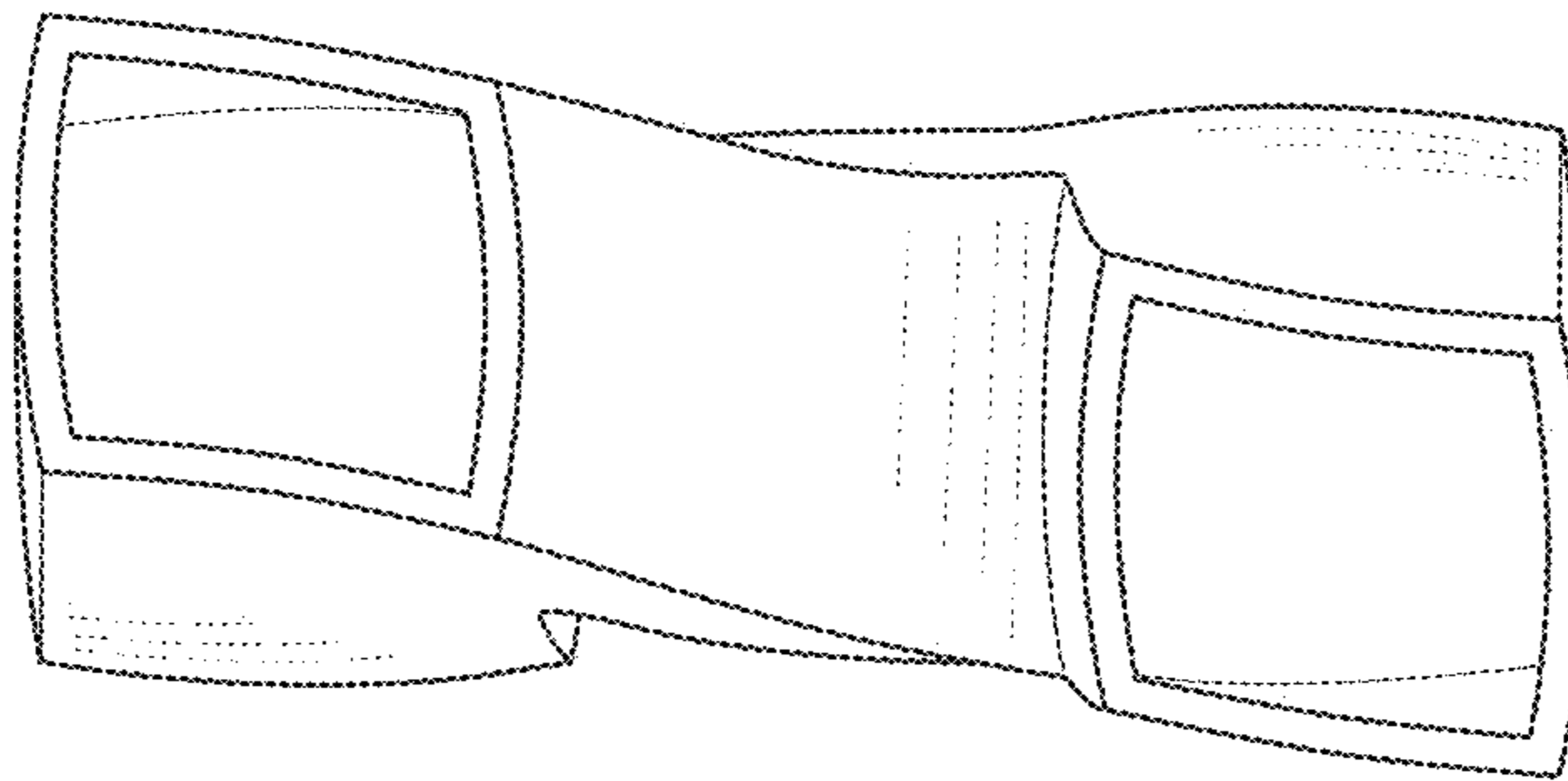


FIG. 93

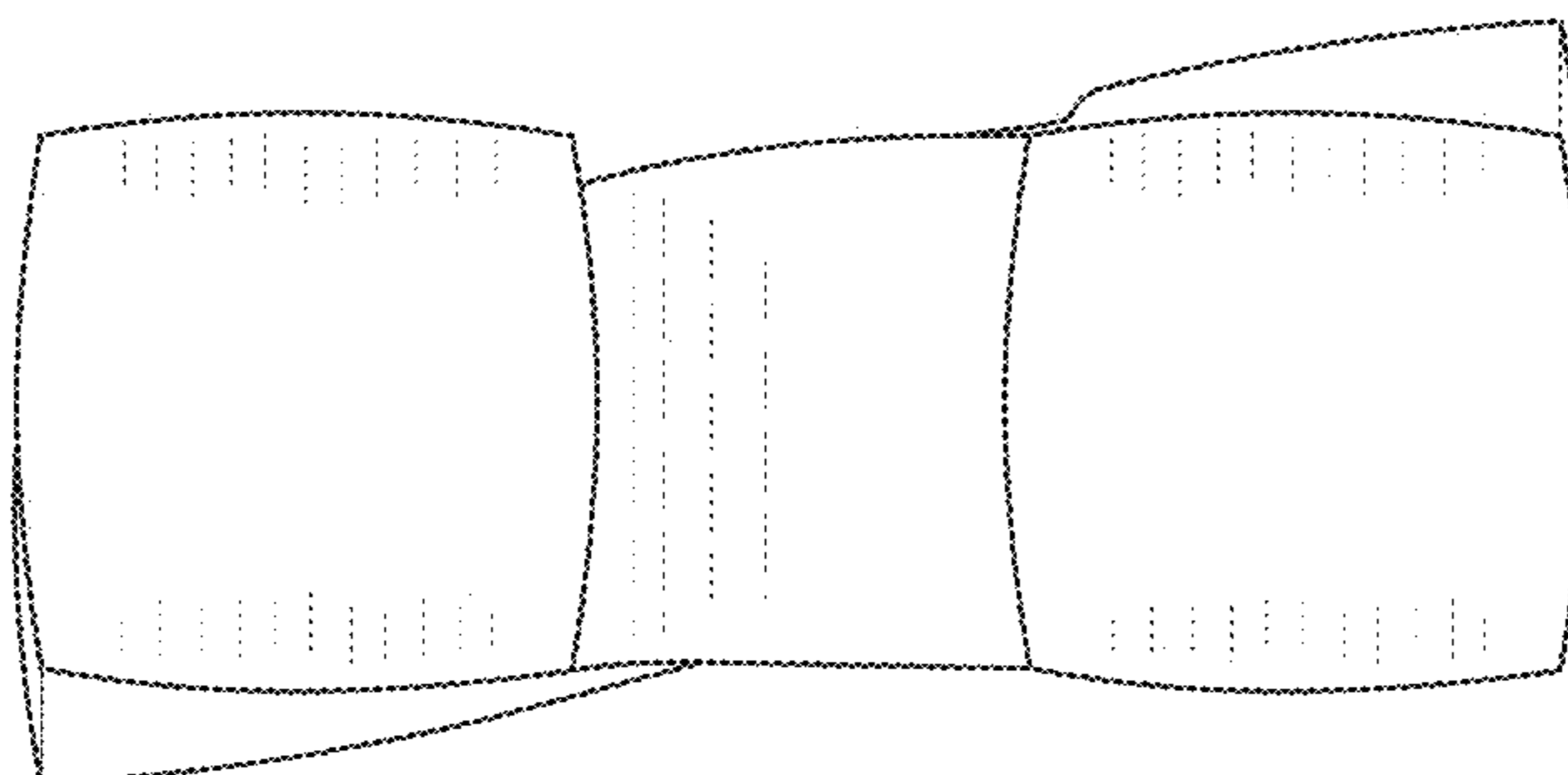


FIG. 94

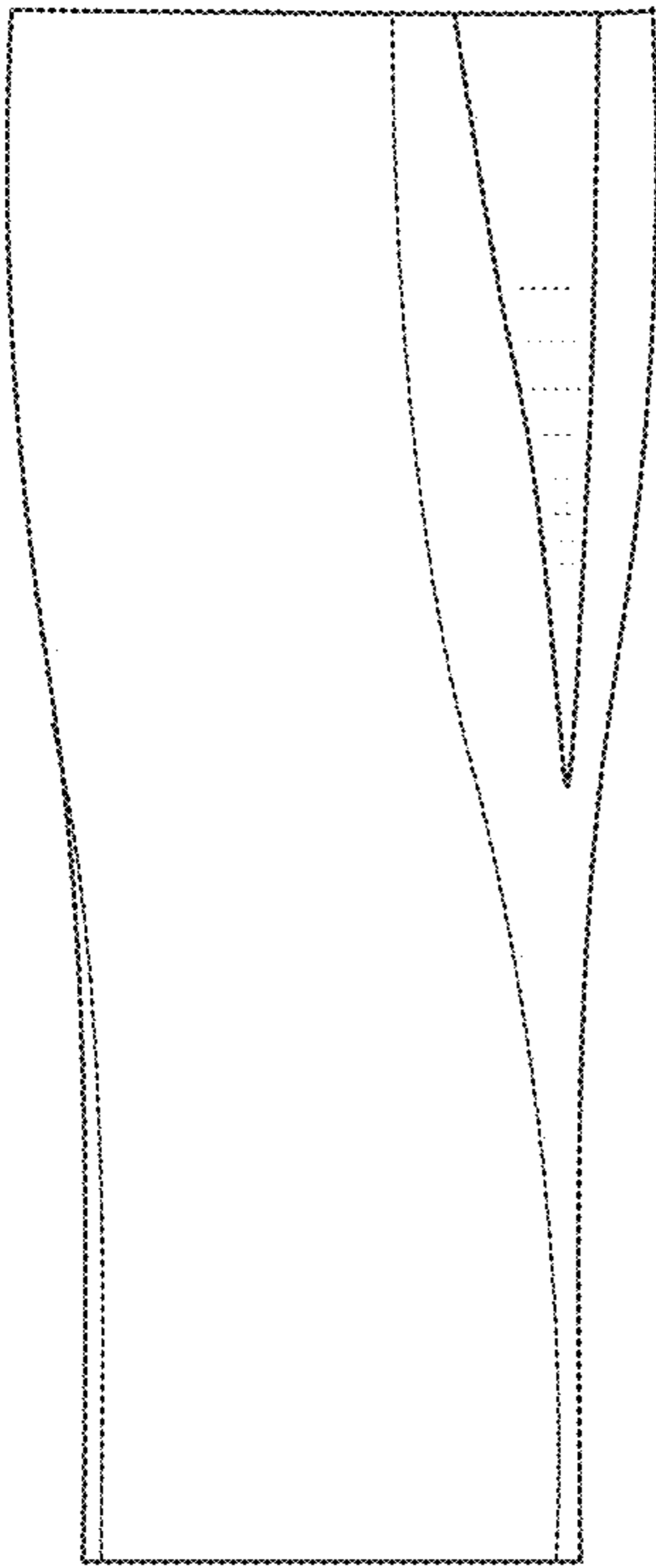


FIG. 95

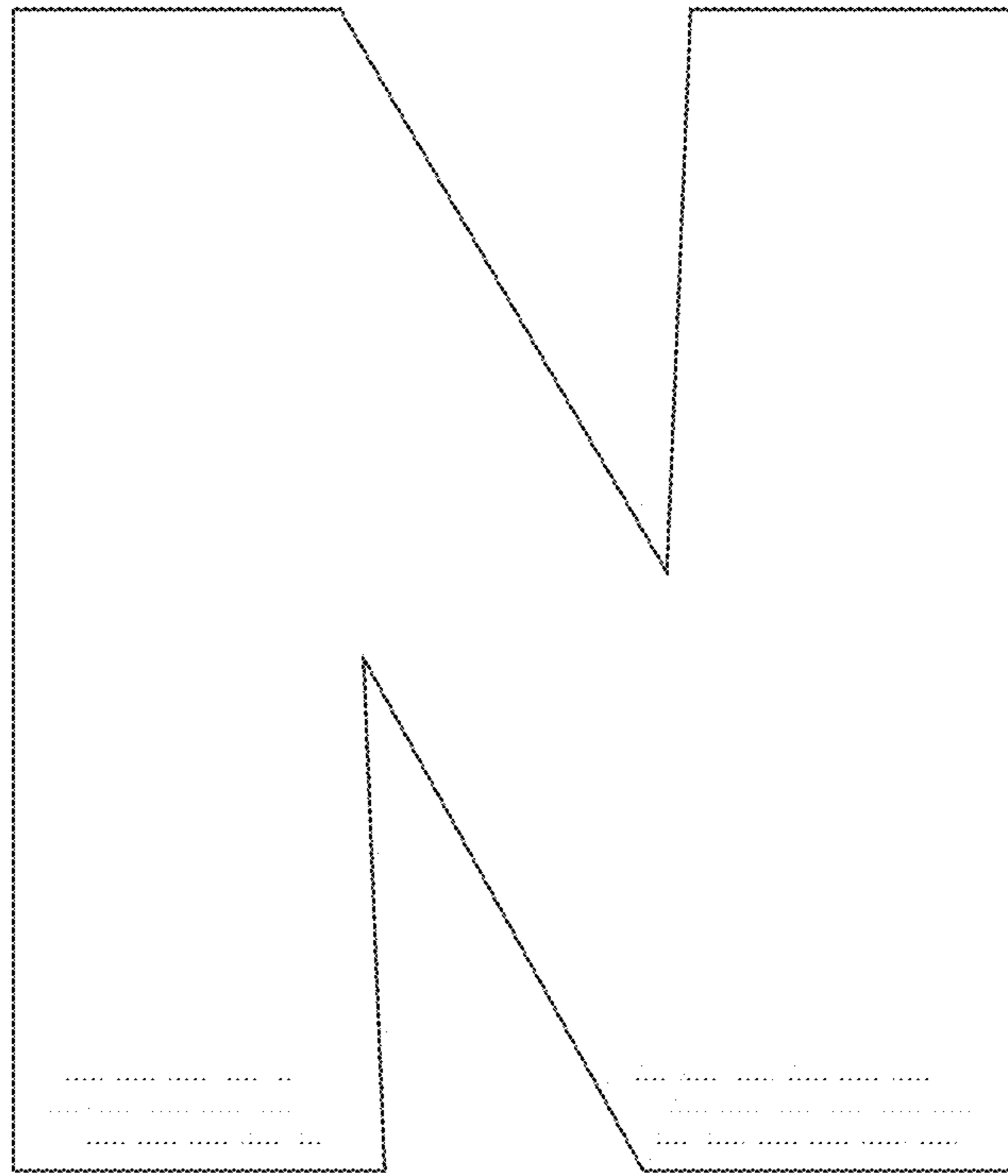


FIG. 96

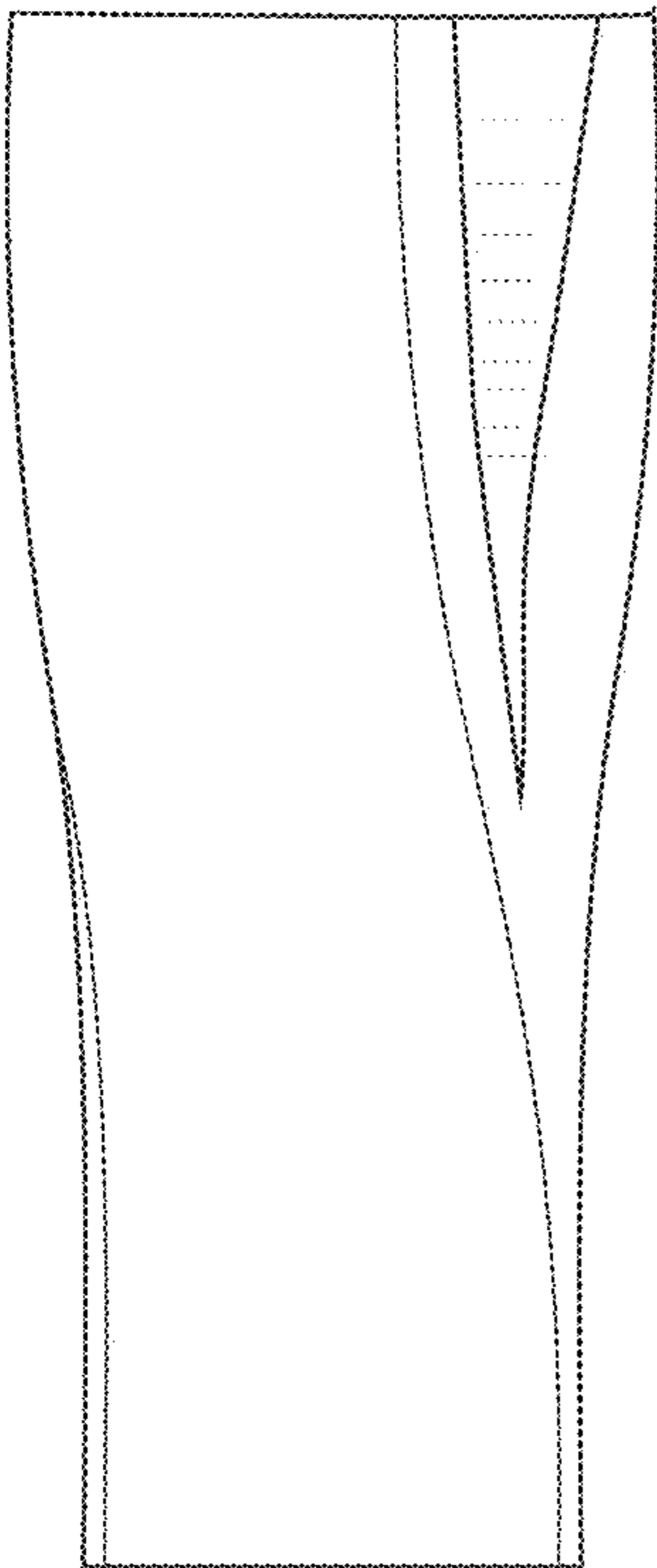


FIG. 97

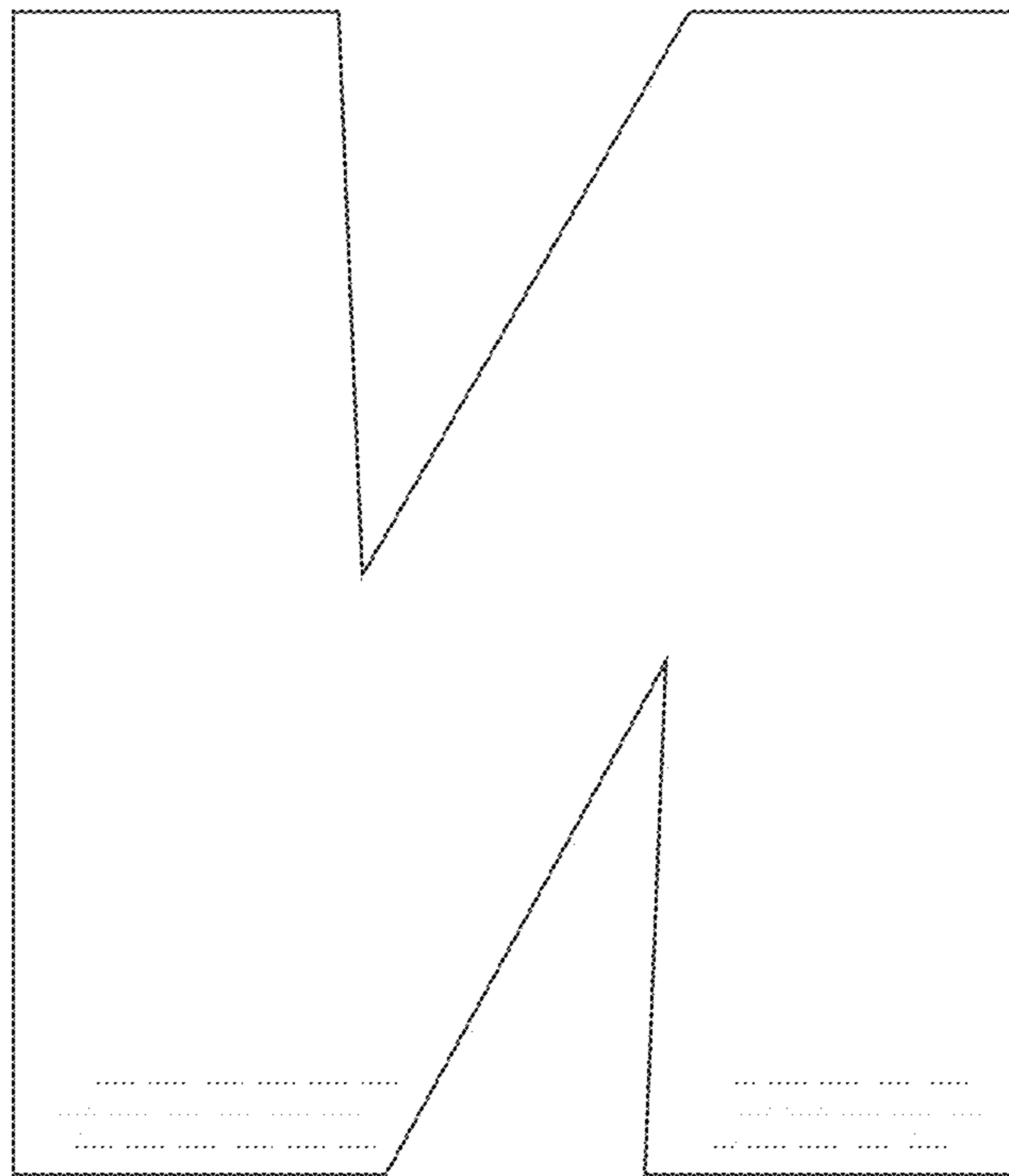


FIG. 98

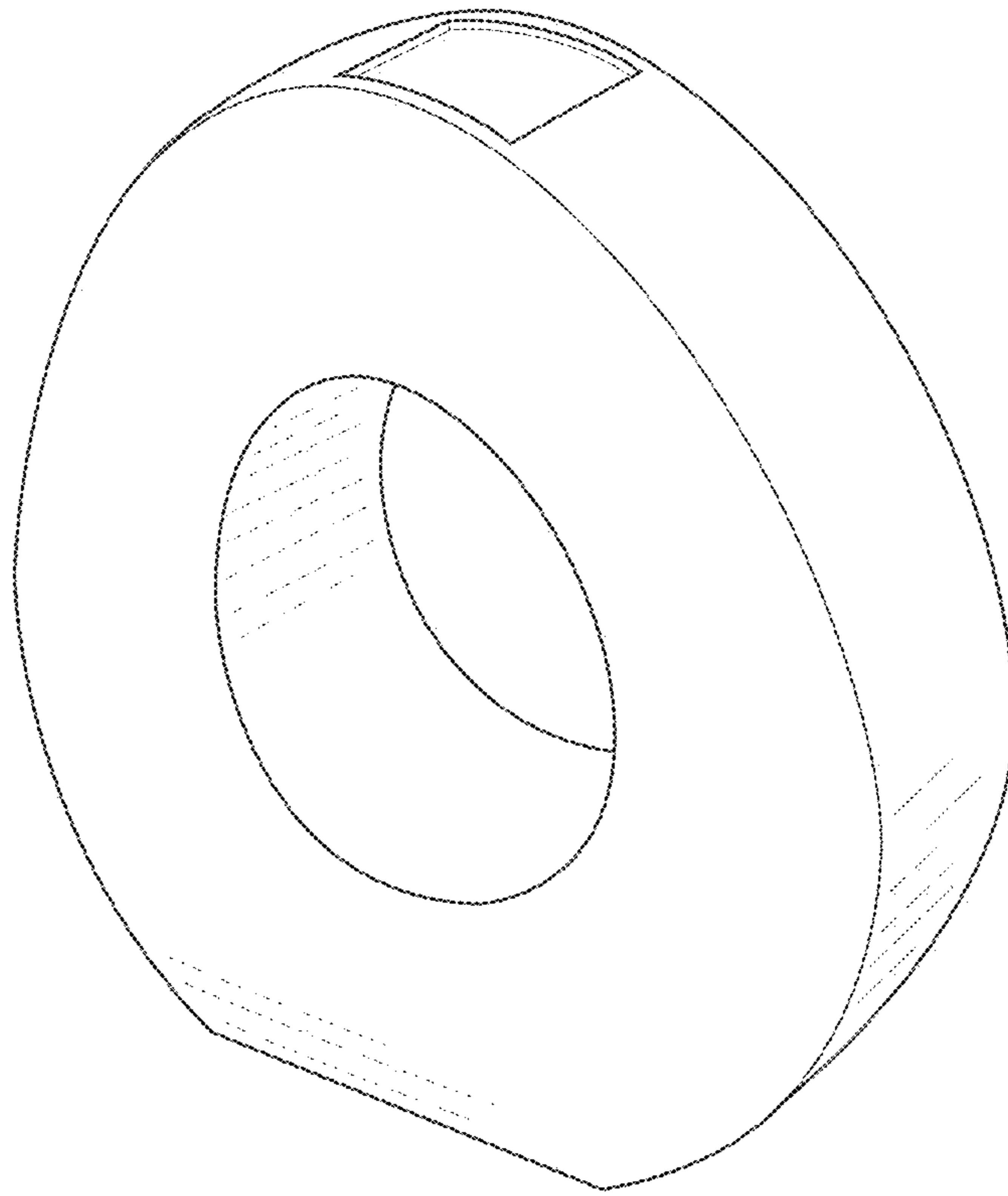


FIG. 99

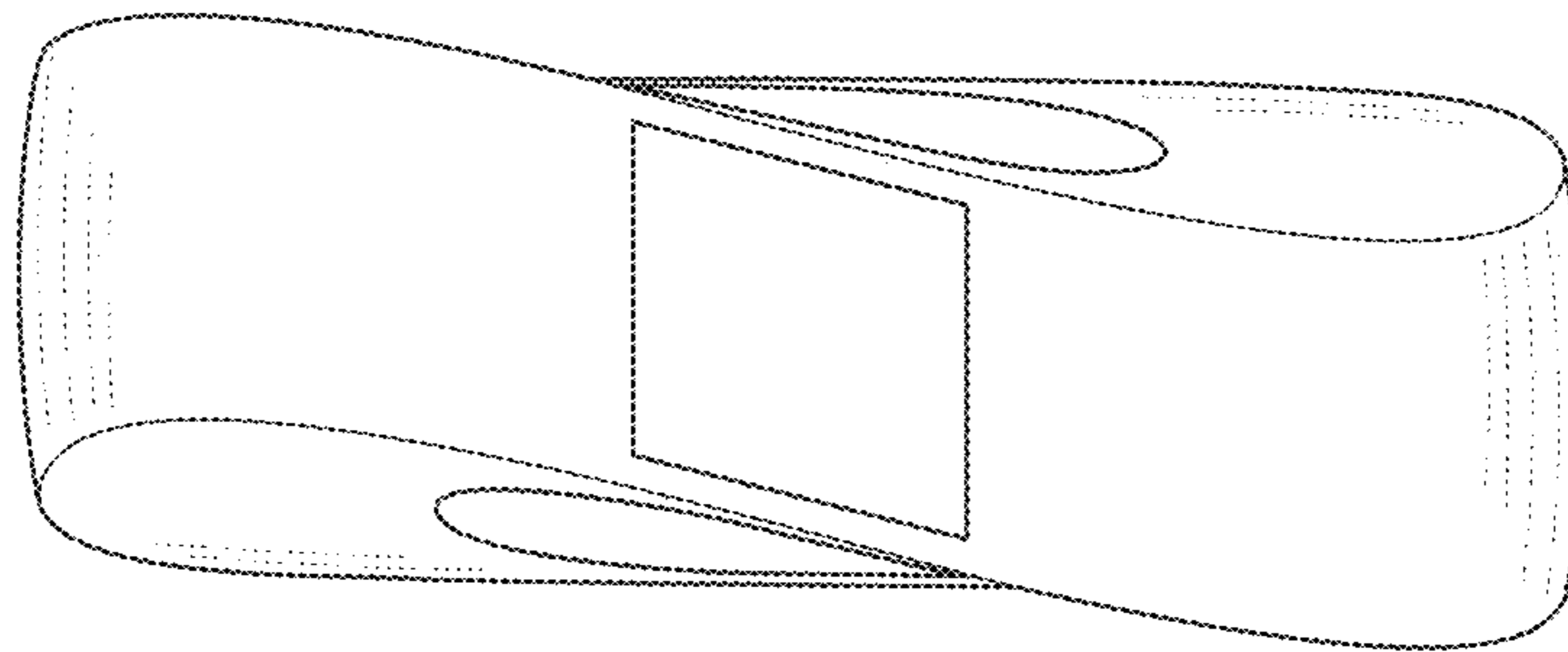


FIG. 100

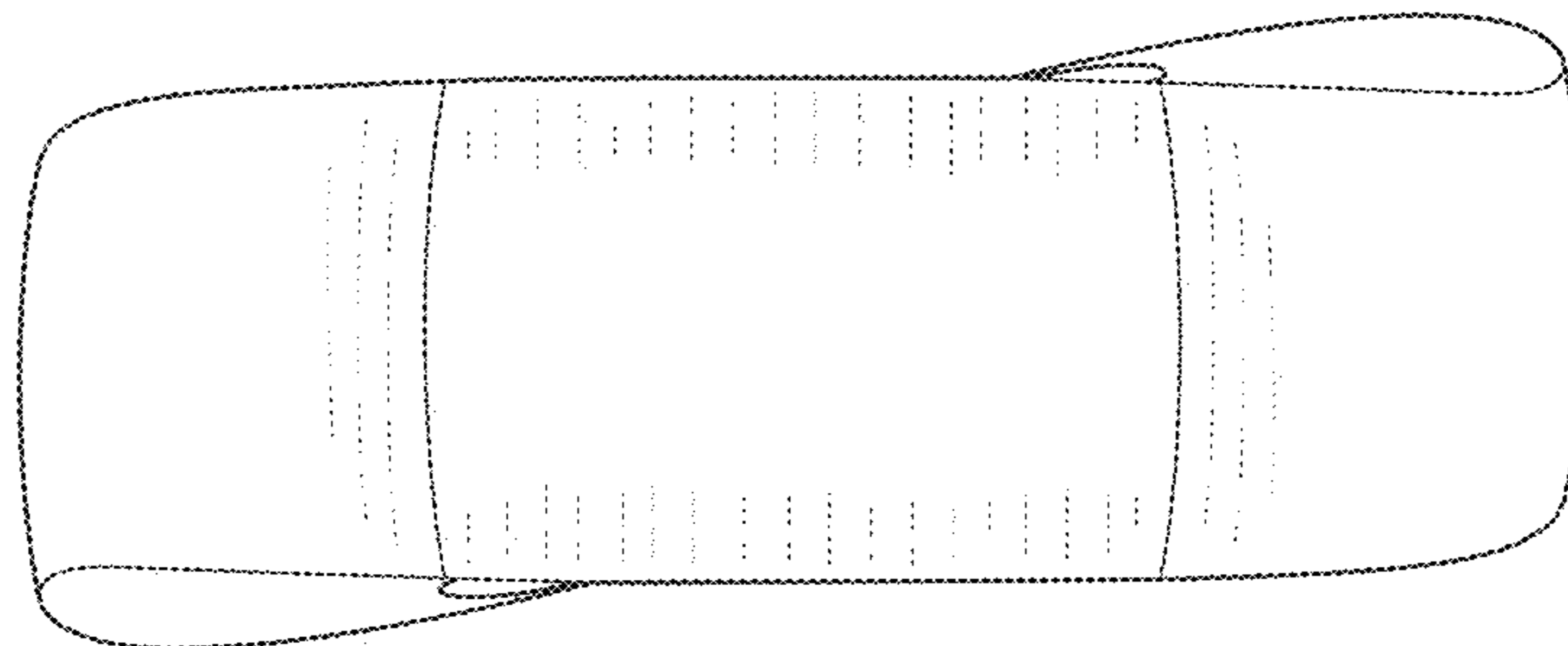


FIG. 101



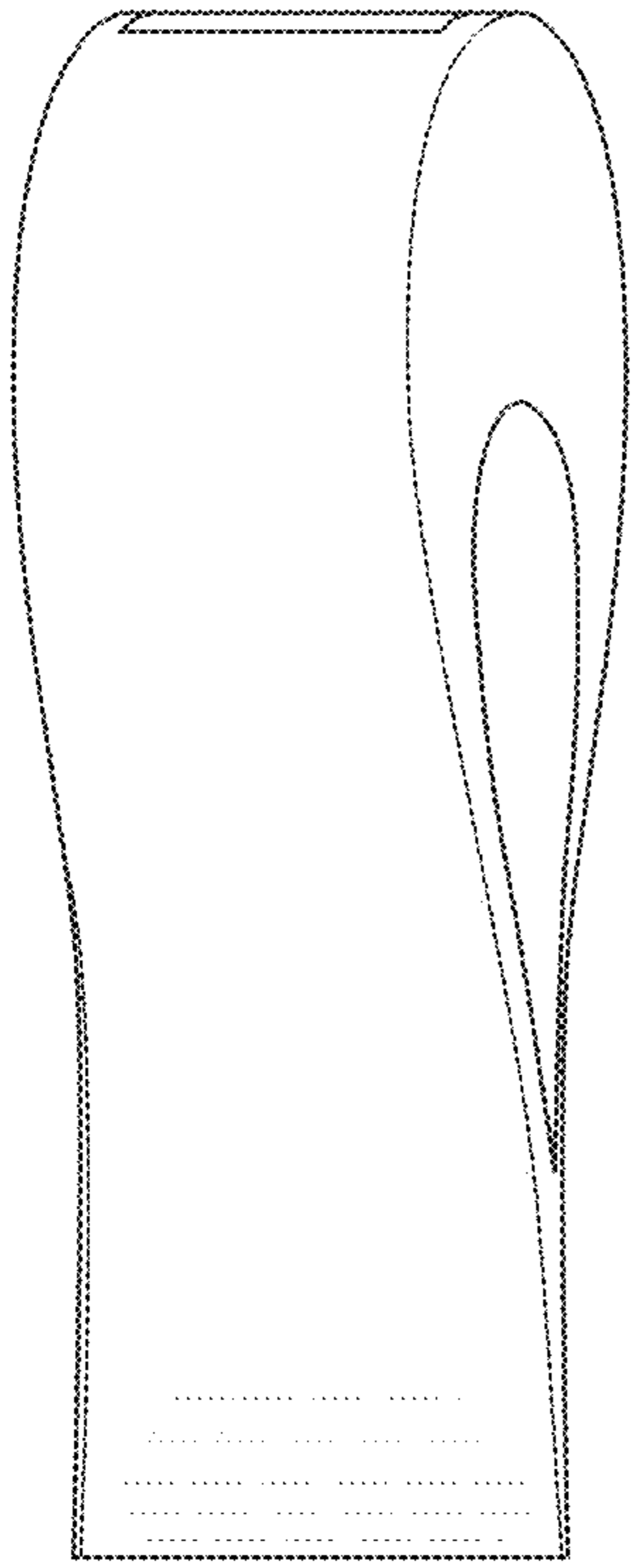


FIG. 102

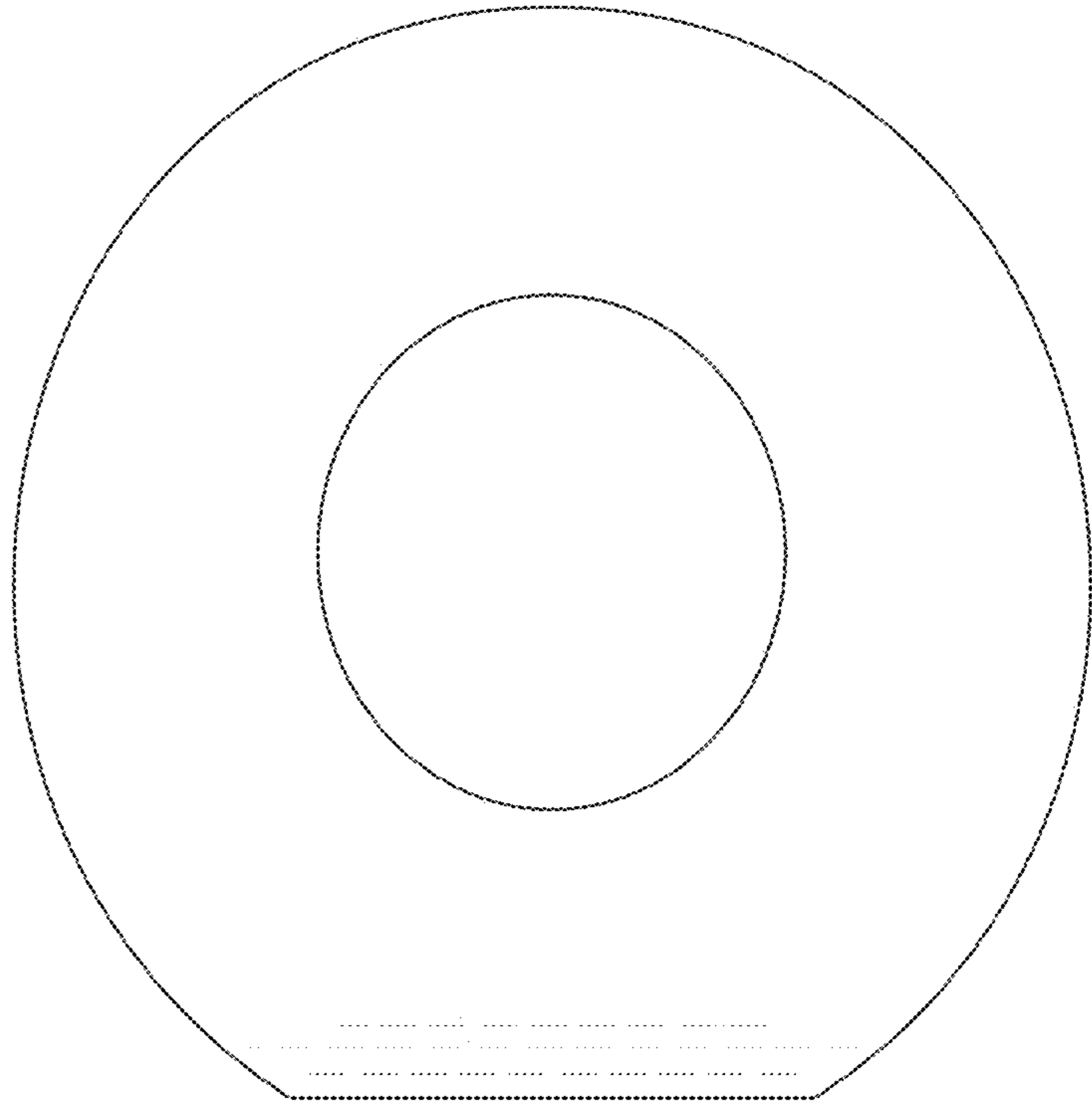


FIG. 103

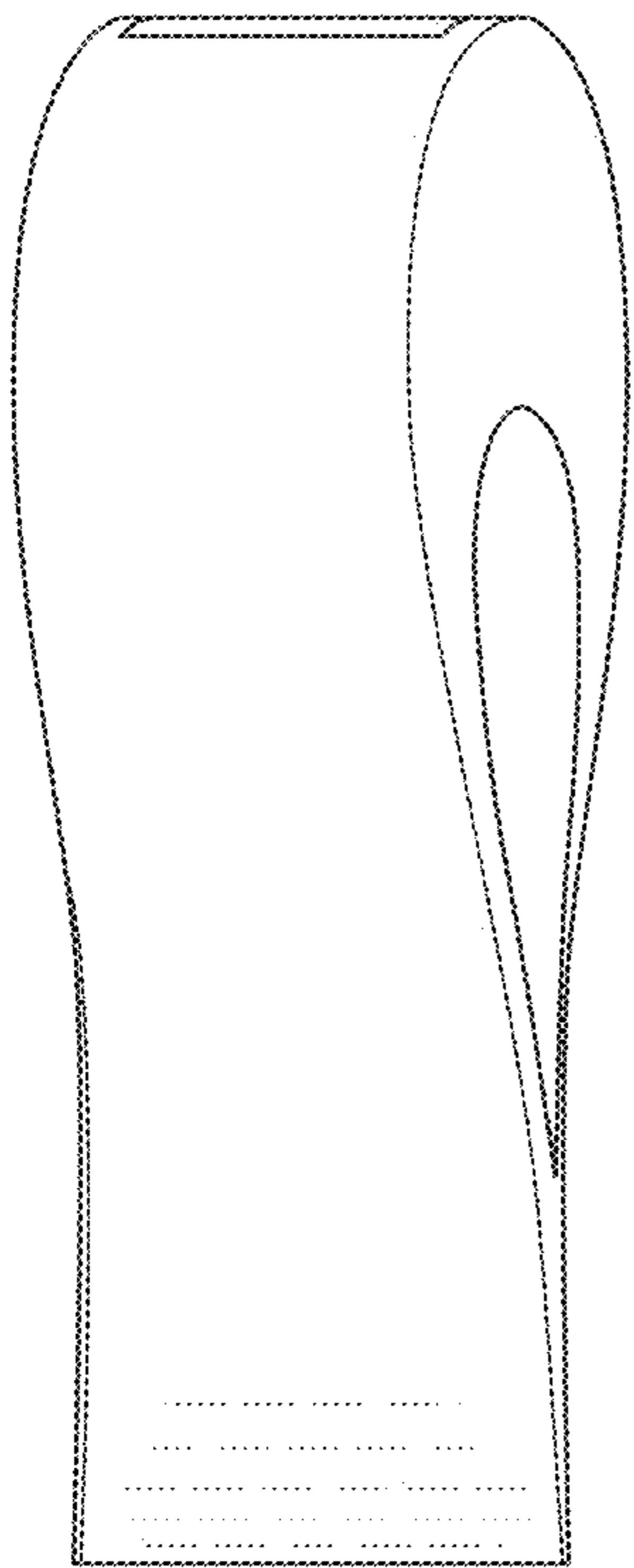


FIG. 104

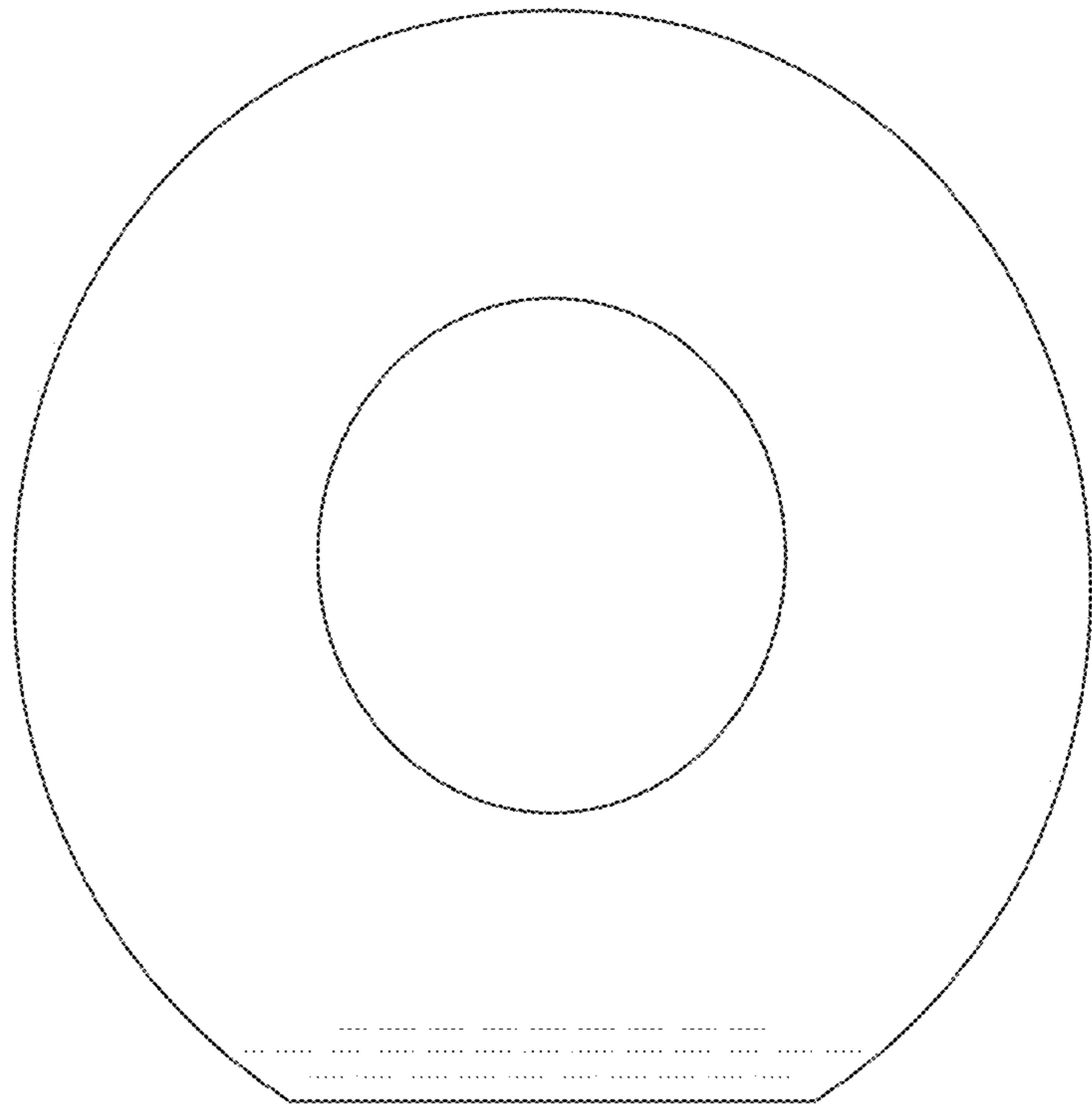


FIG. 105

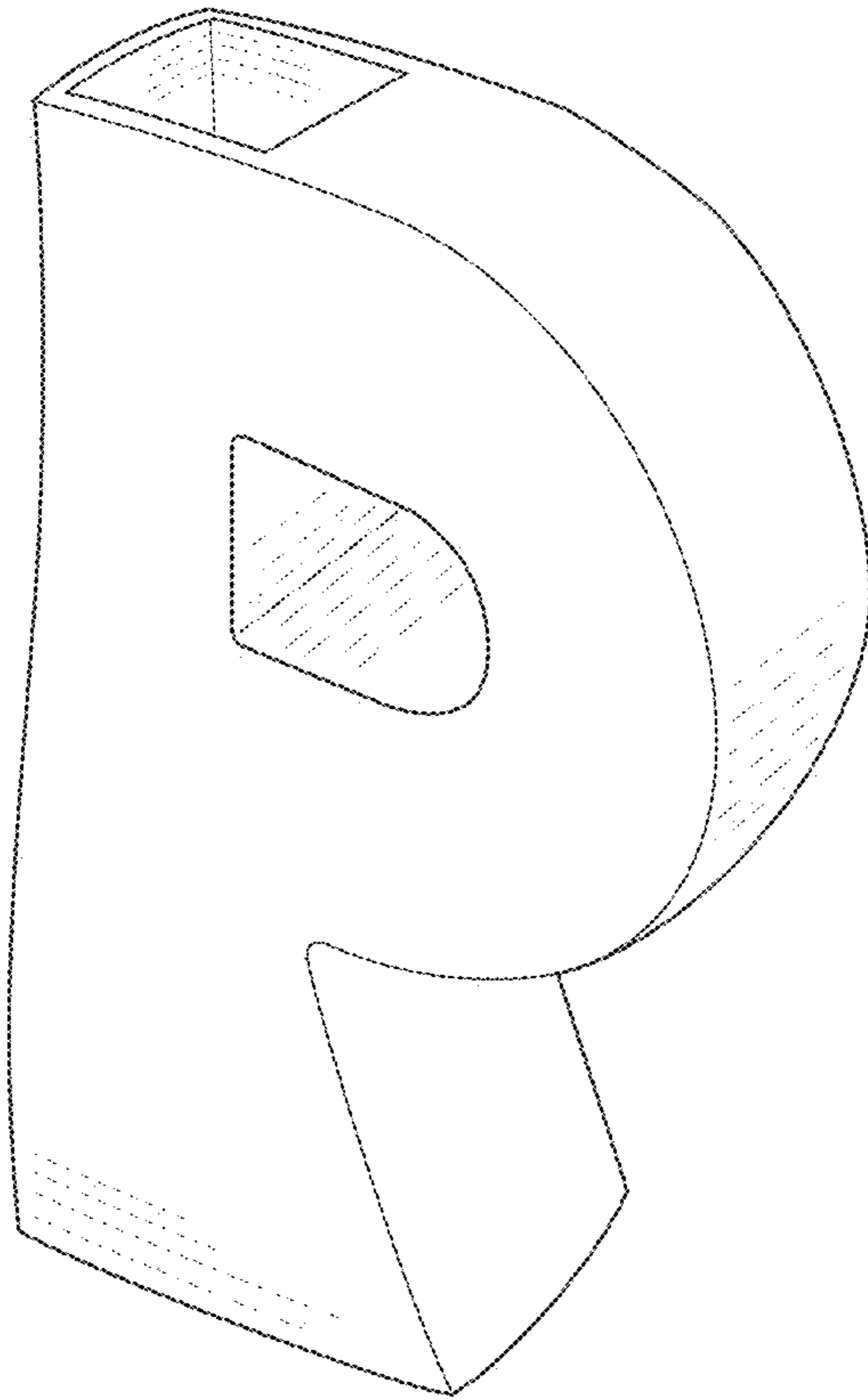


FIG. 106

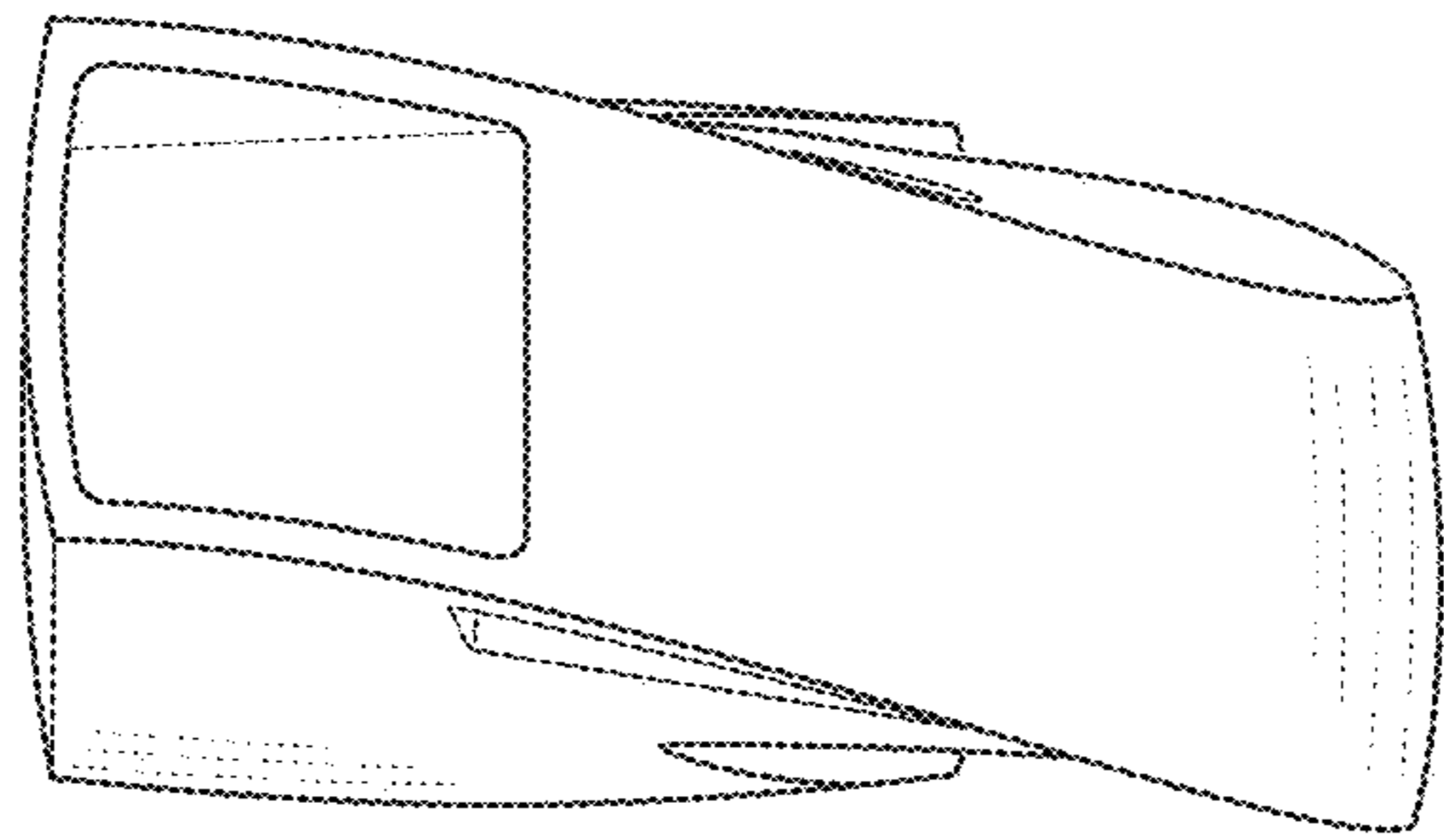


FIG. 107

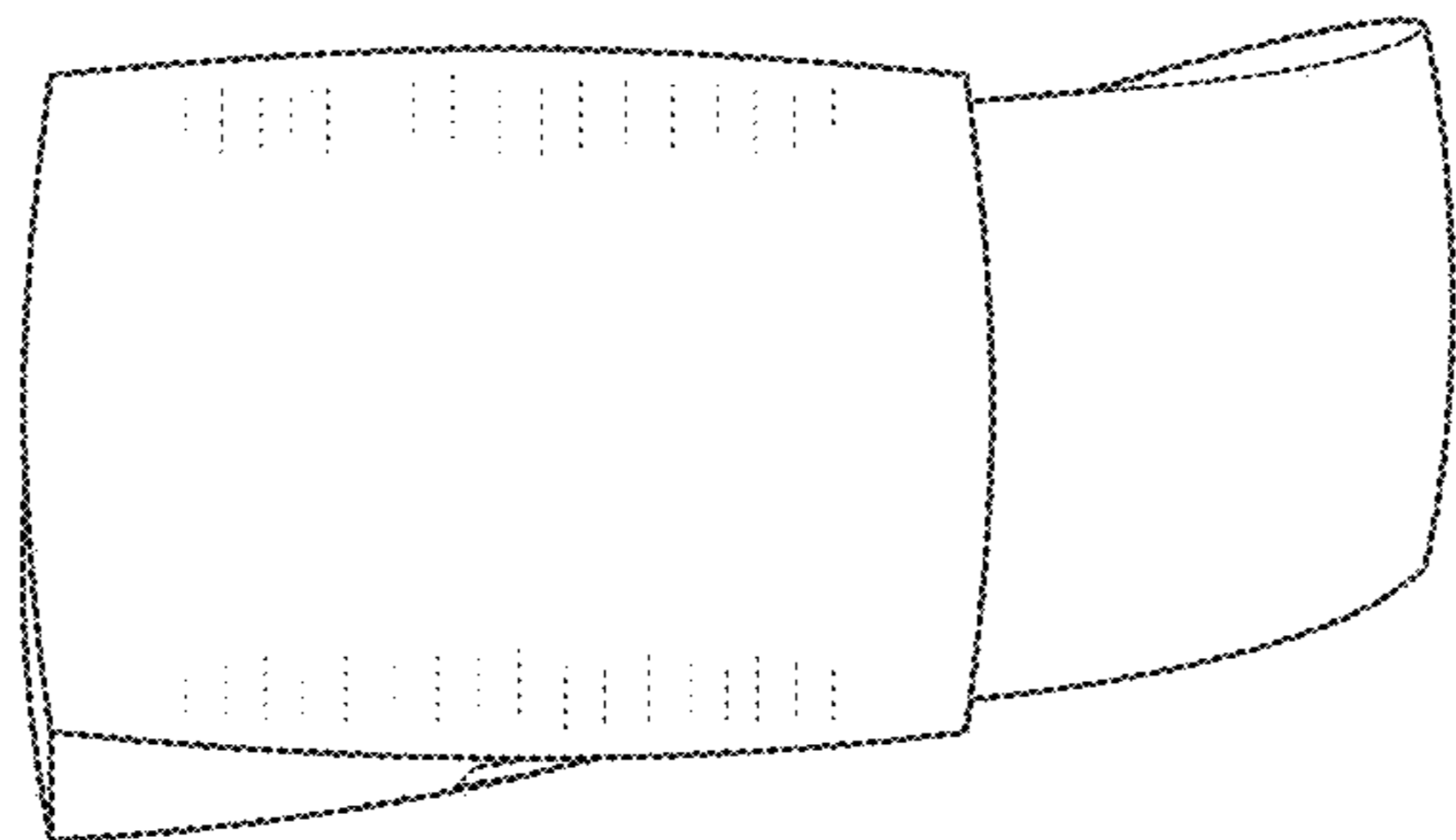


FIG. 108

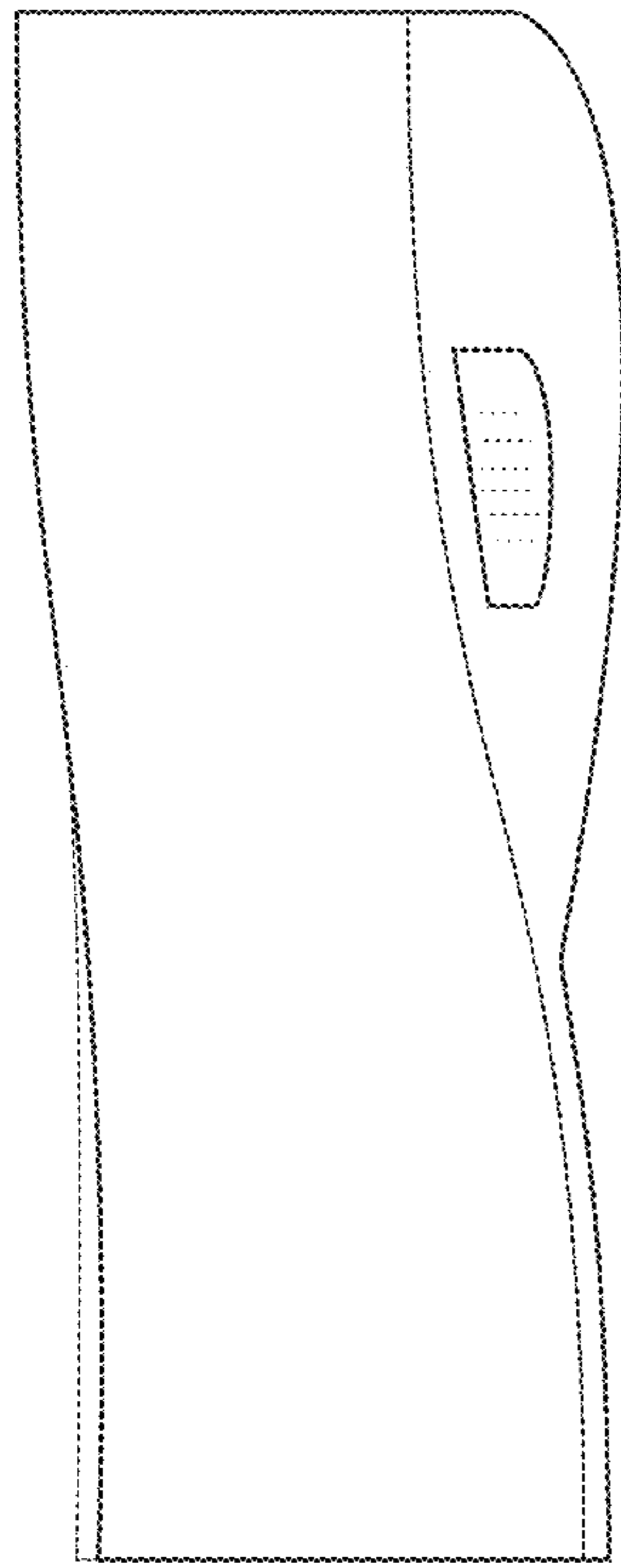


FIG. 109

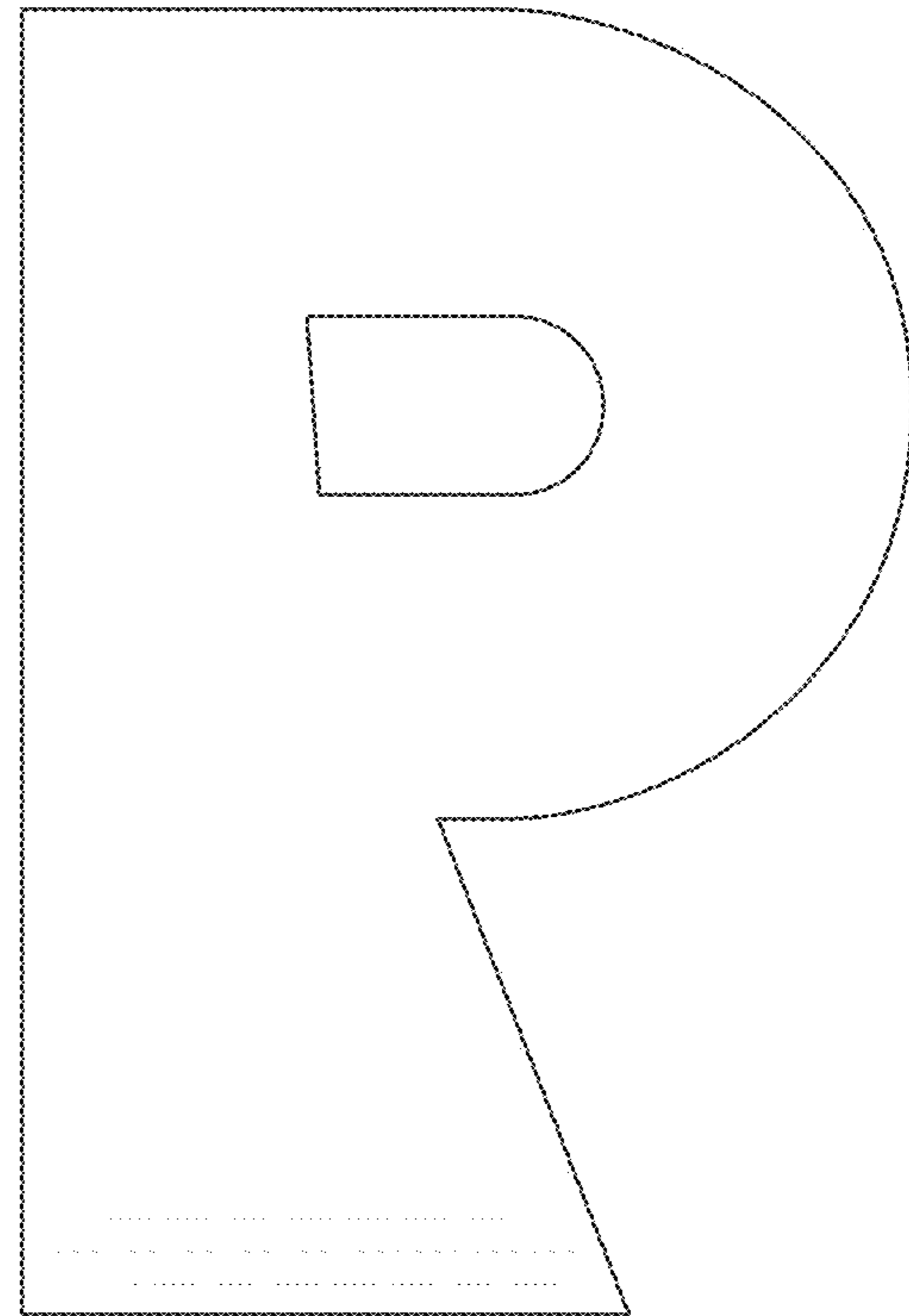


FIG. 110

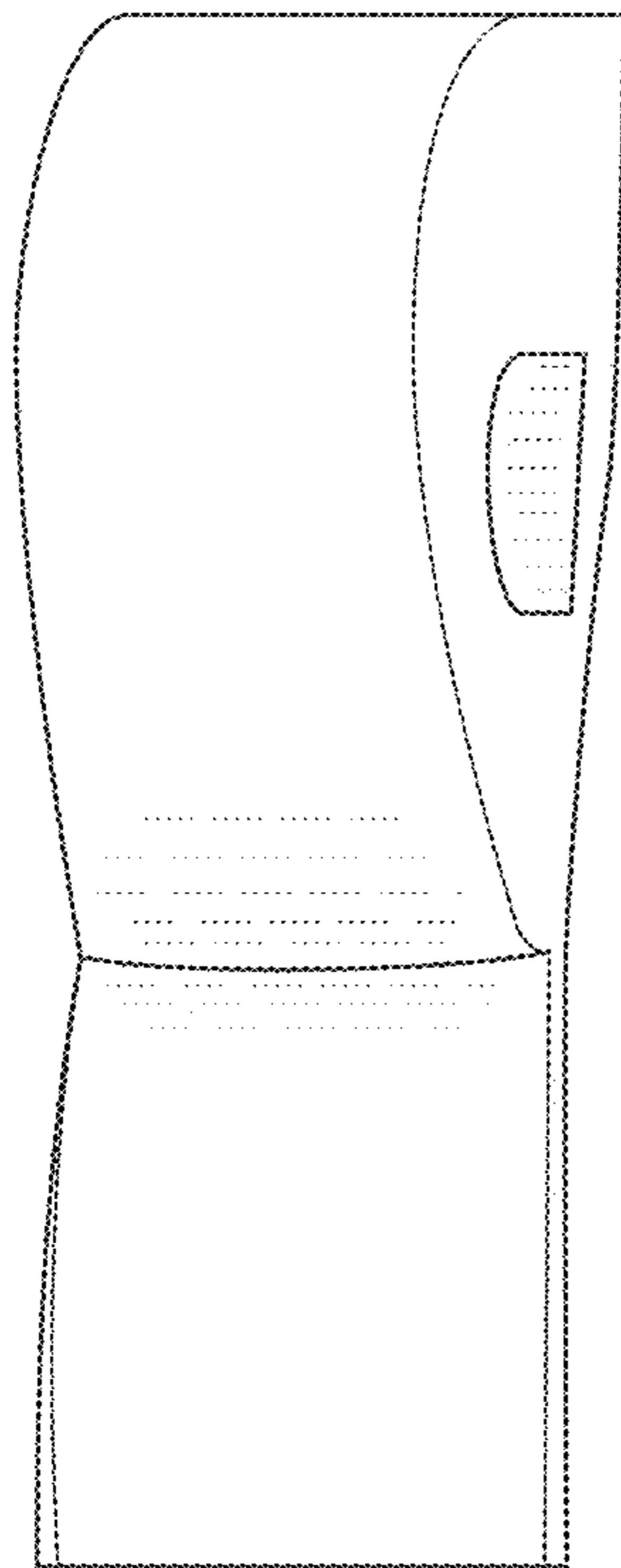


FIG. 111

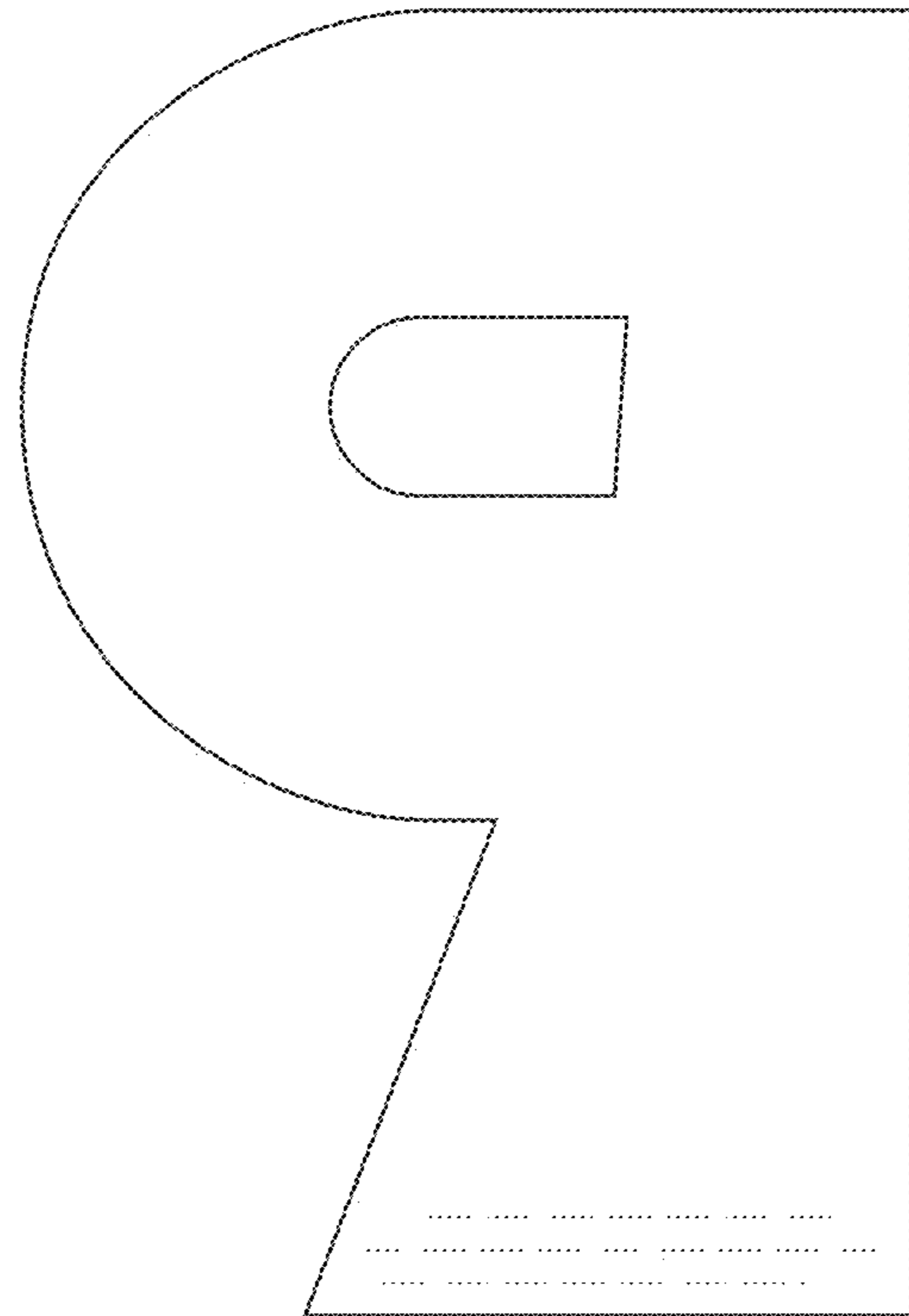


FIG. 112

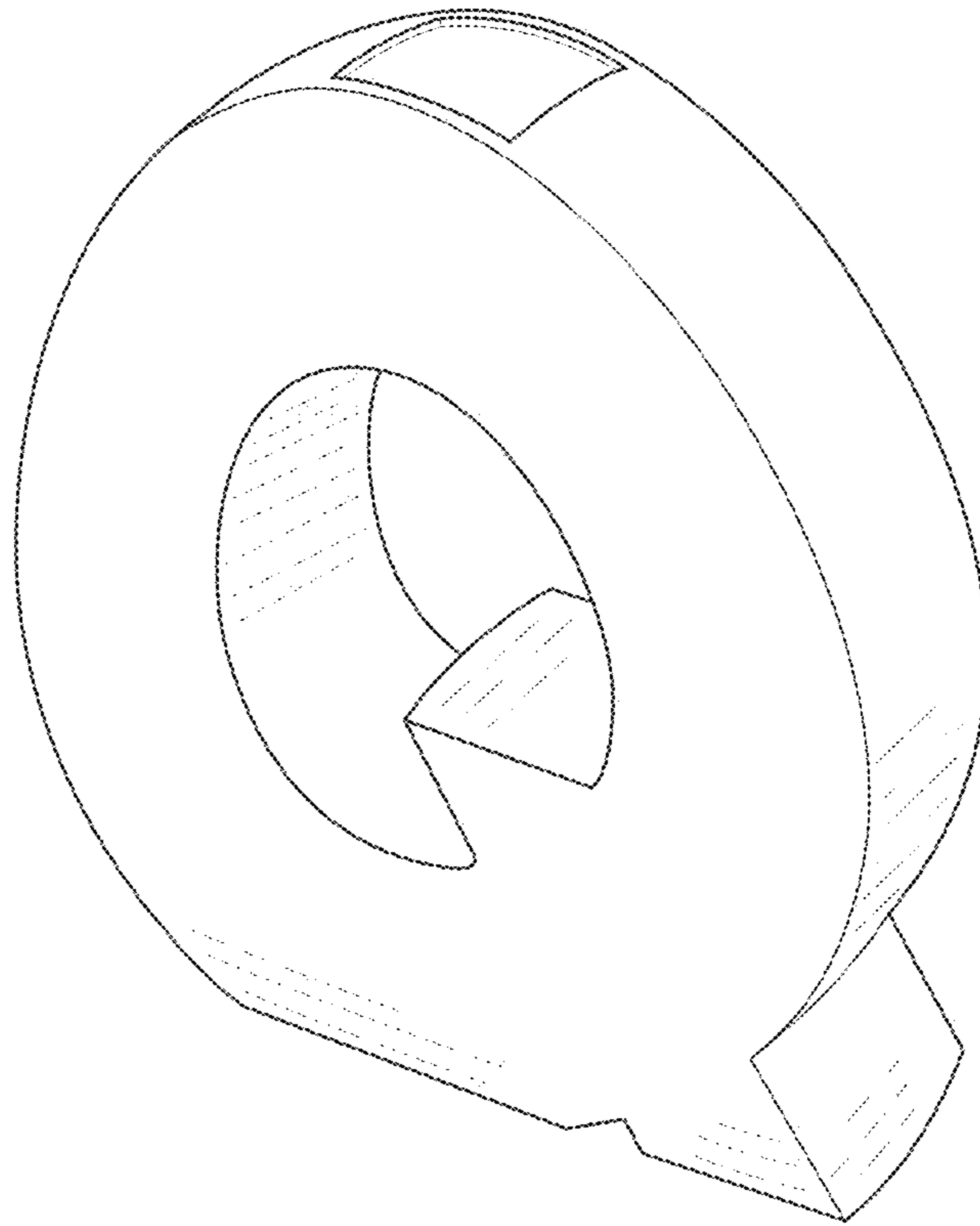


FIG. 113

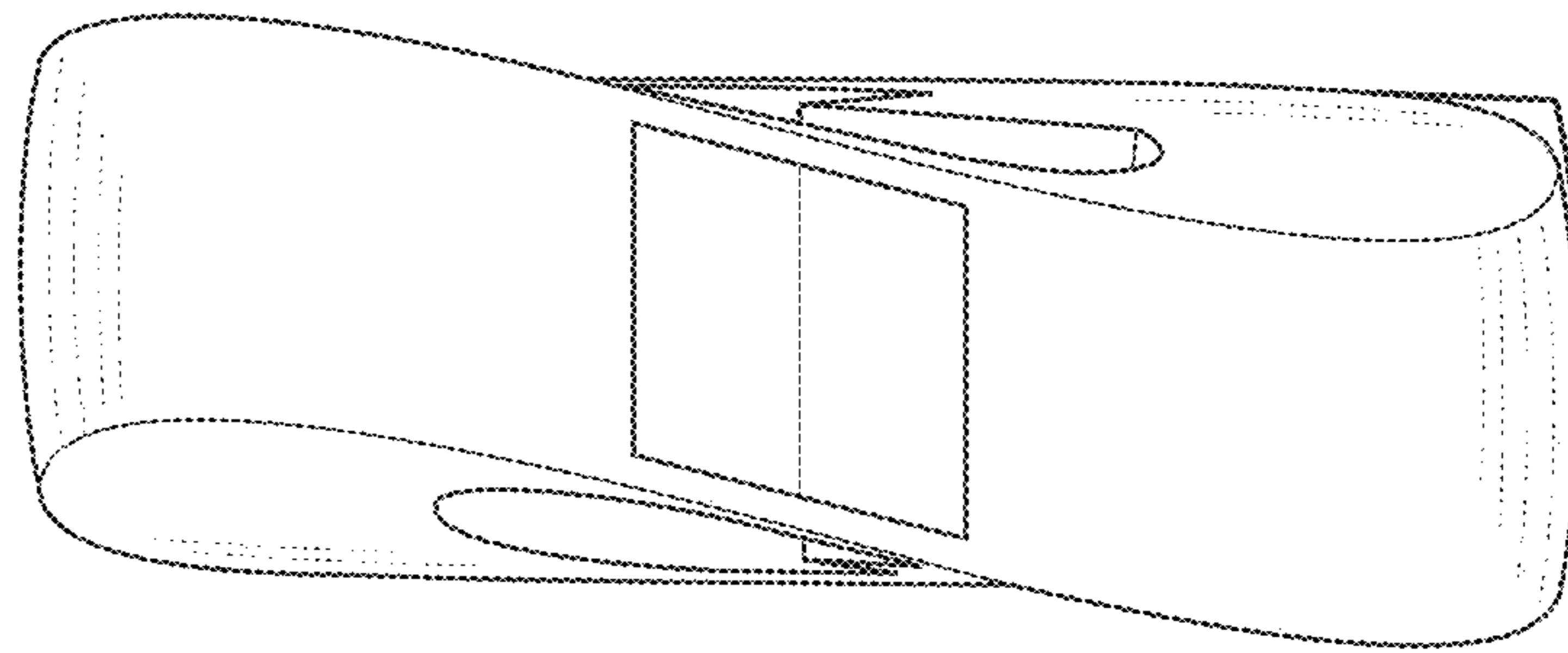


FIG. 114

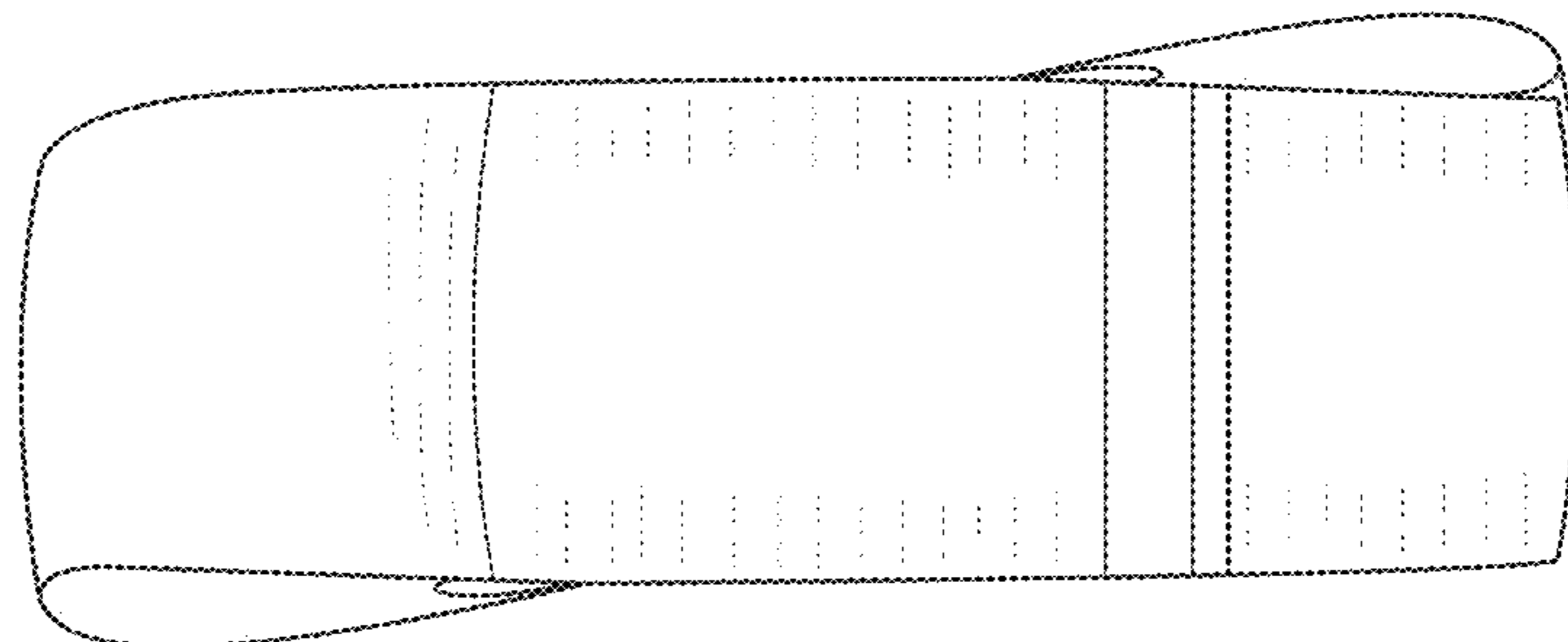


FIG. 115

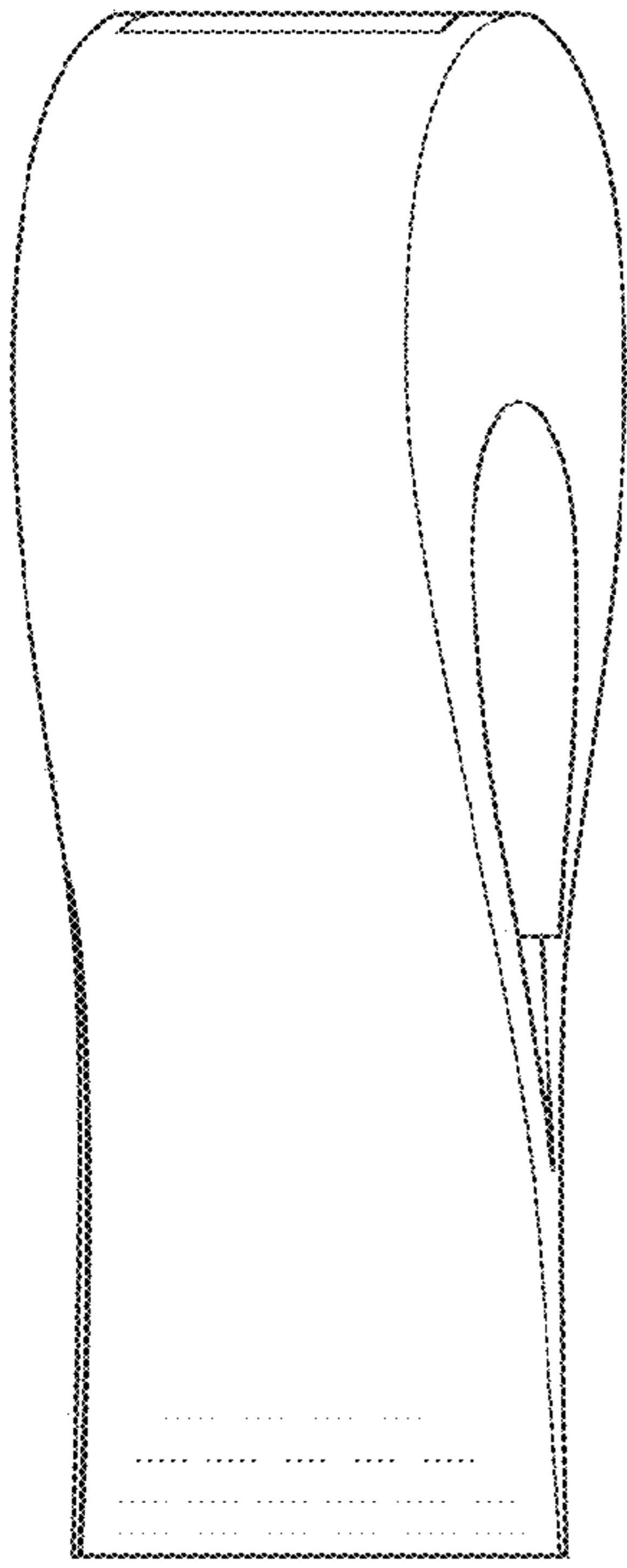


FIG. 116

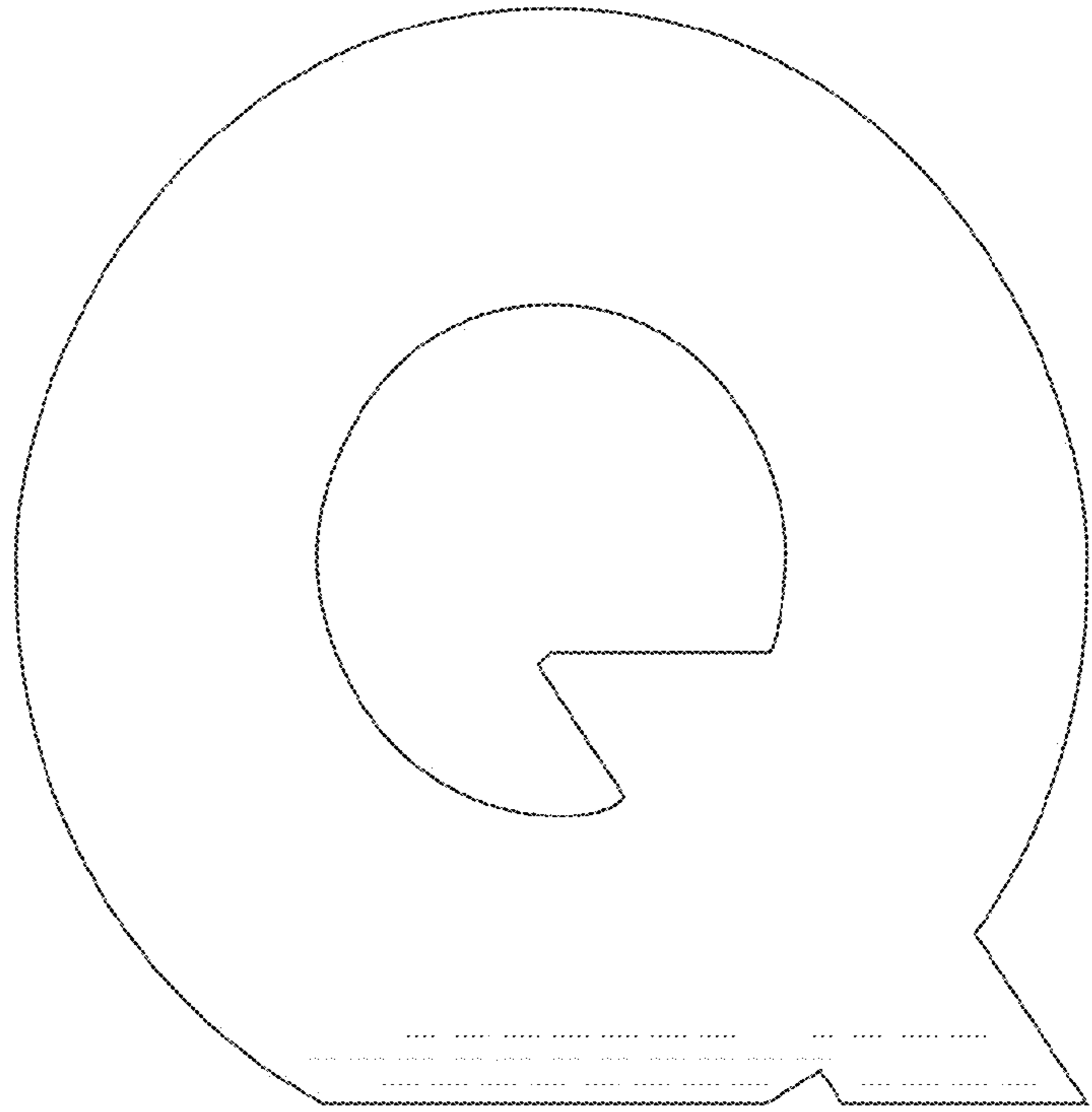


FIG. 117

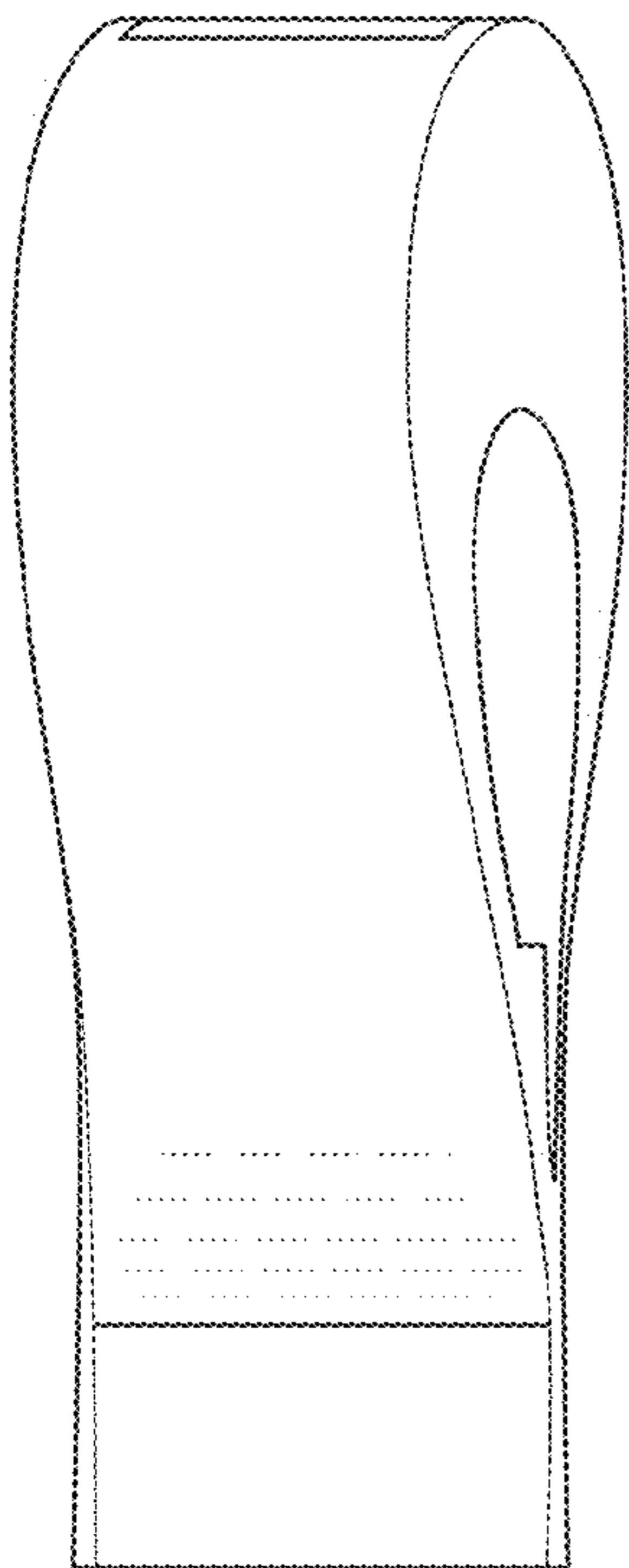


FIG. 118

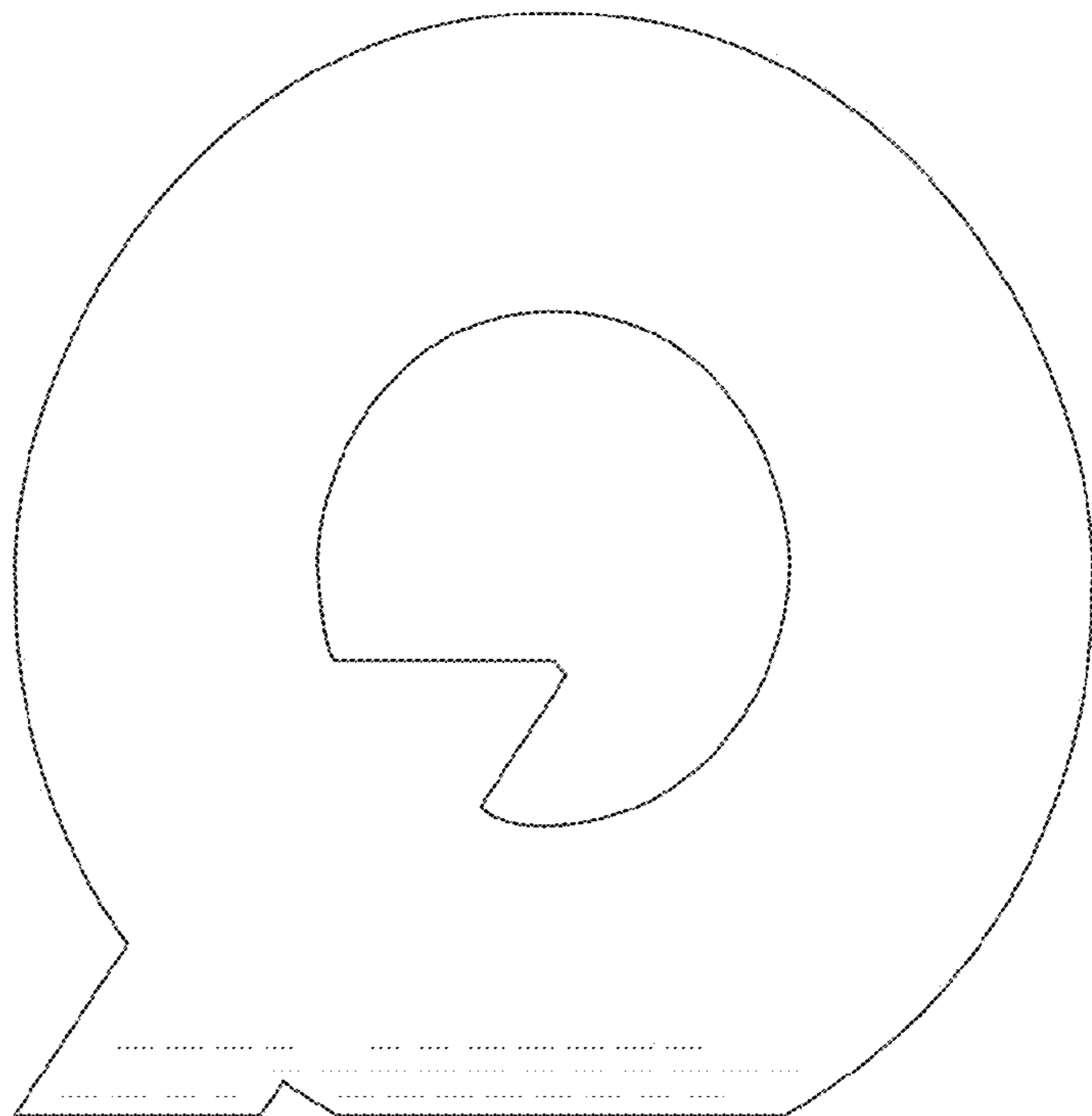


FIG. 119

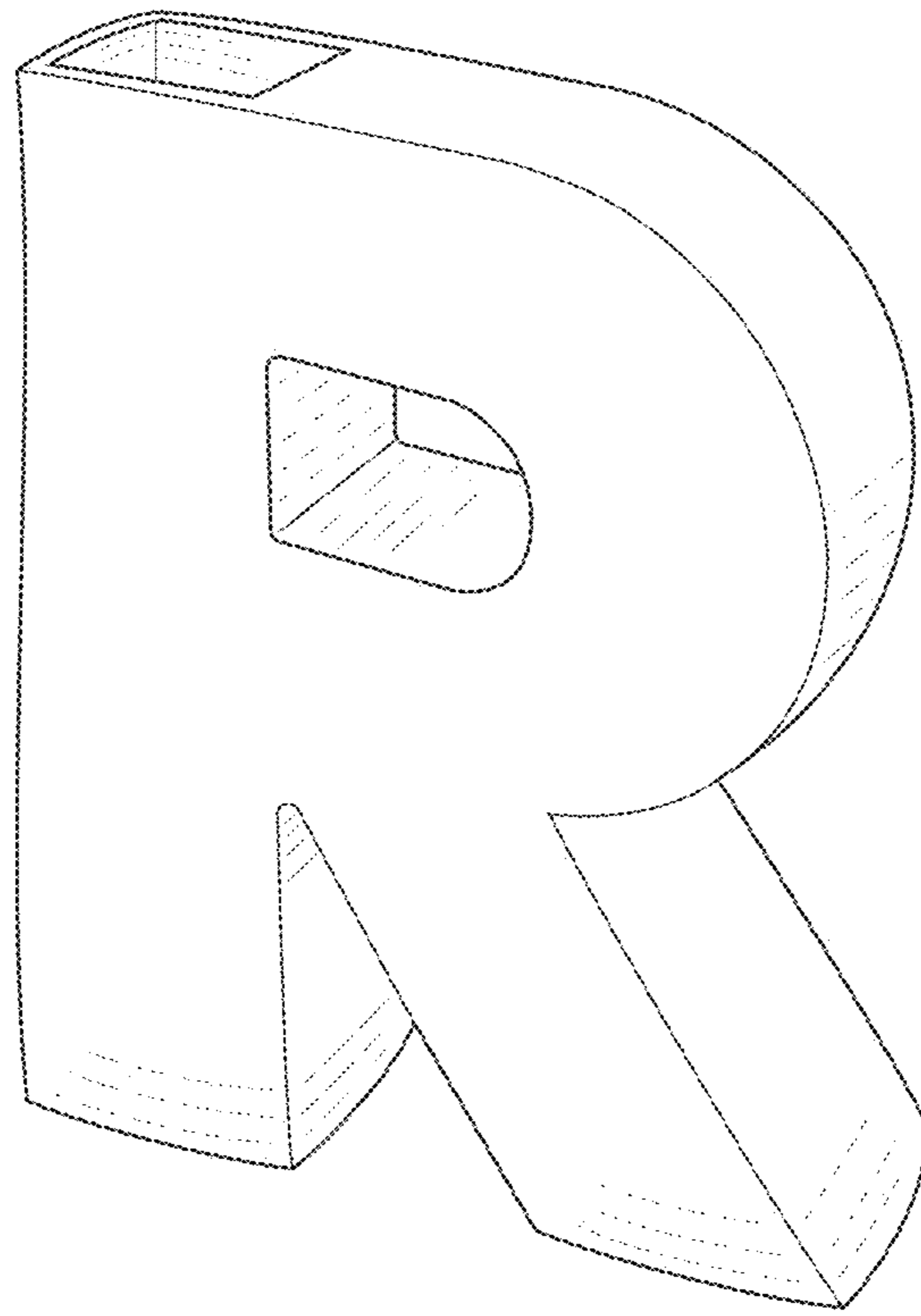


FIG. 120

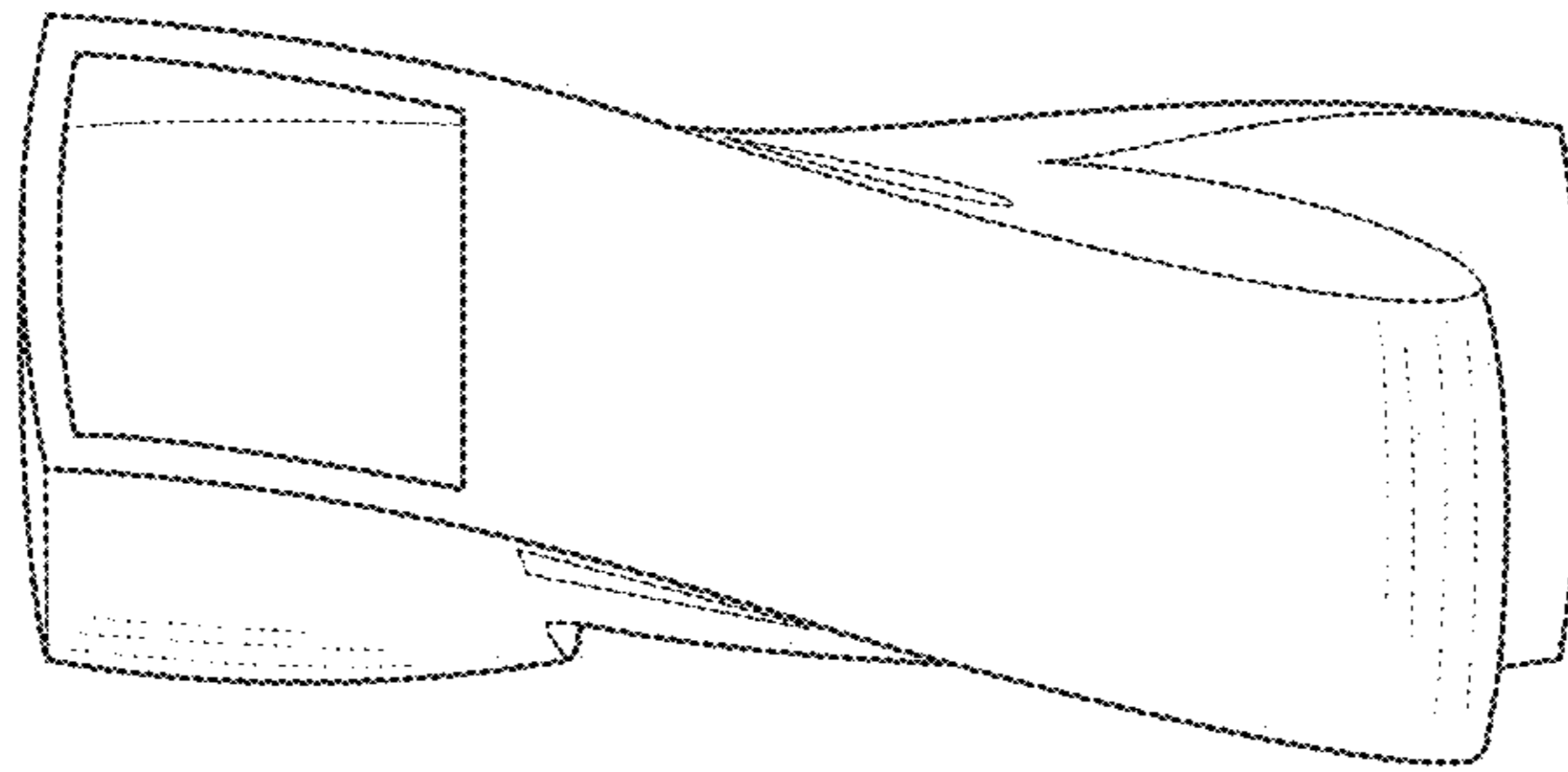


FIG. 121

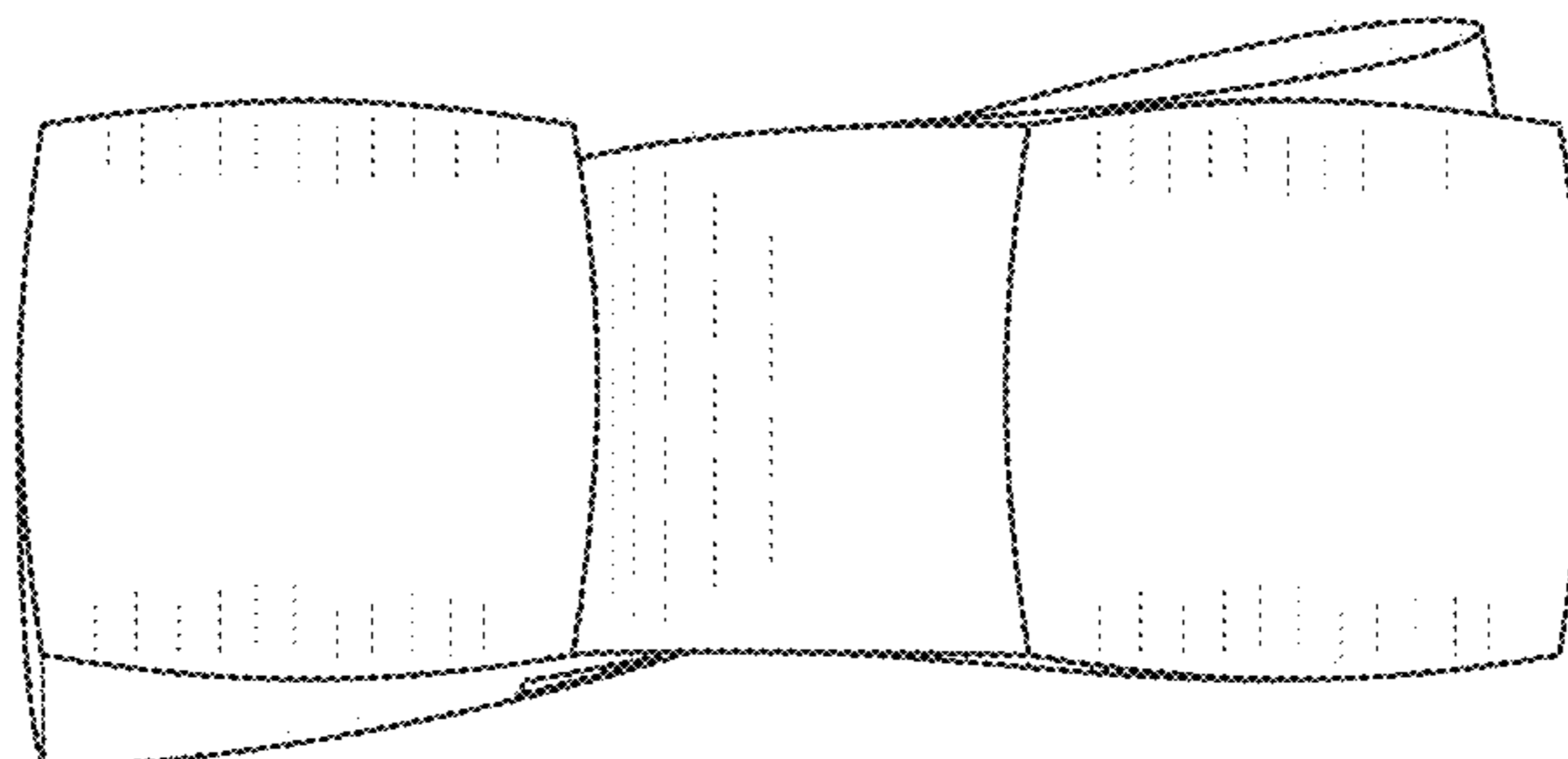


FIG. 122

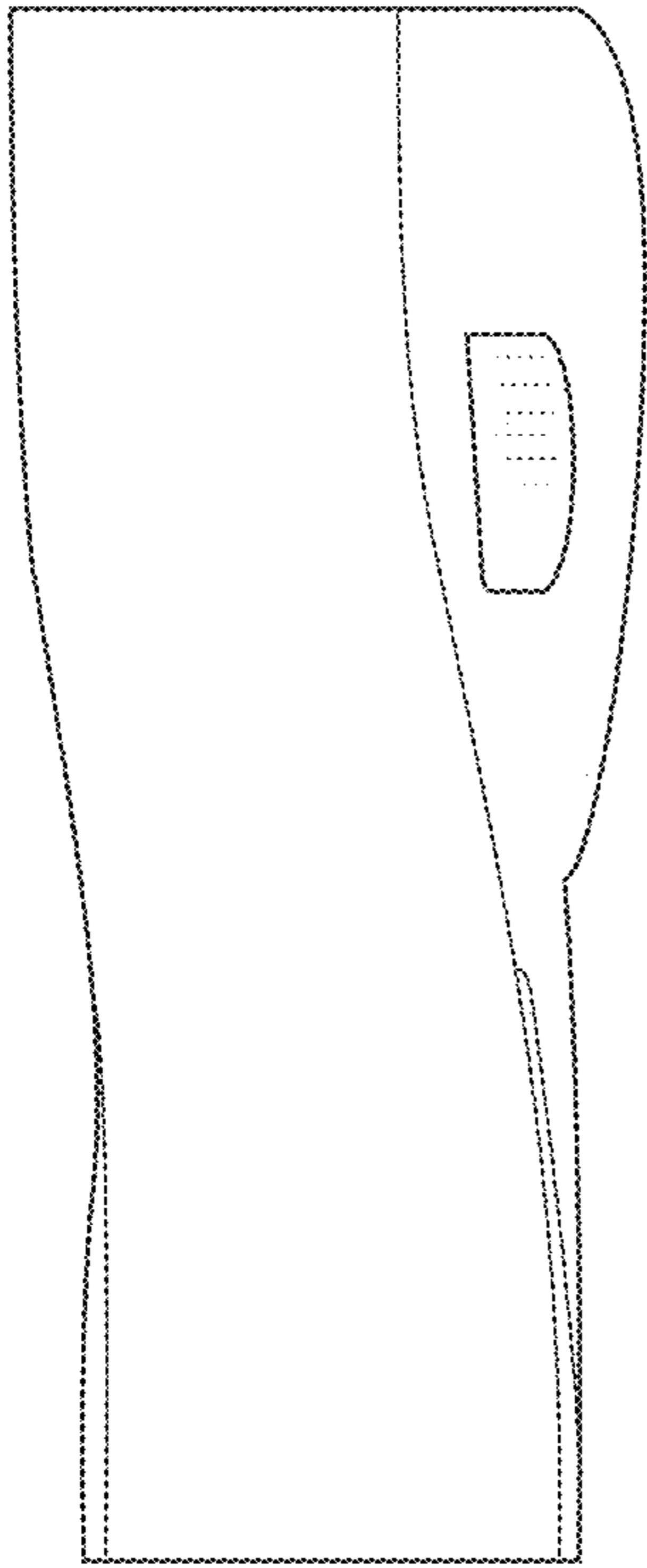


FIG. 123

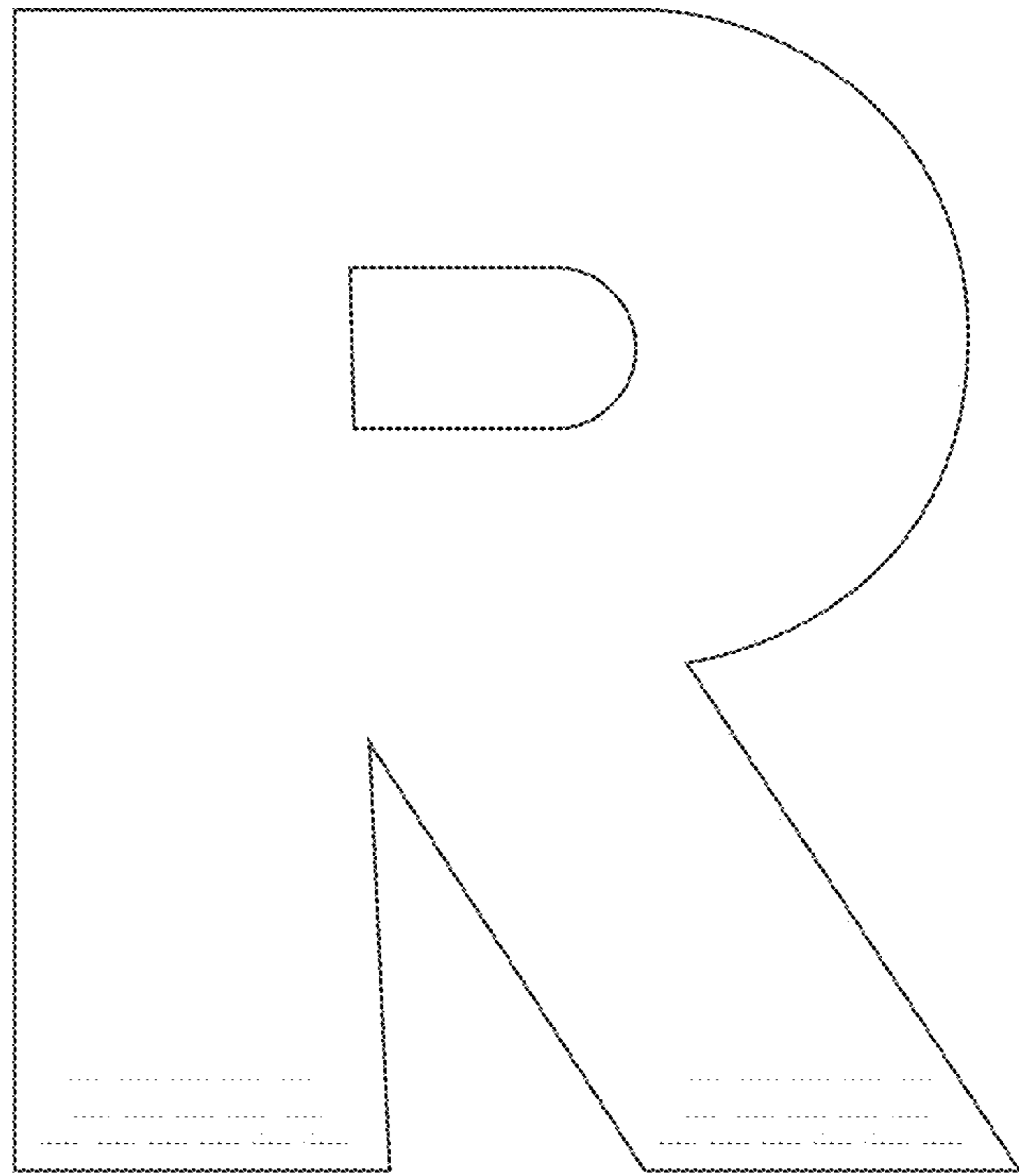


FIG. 124

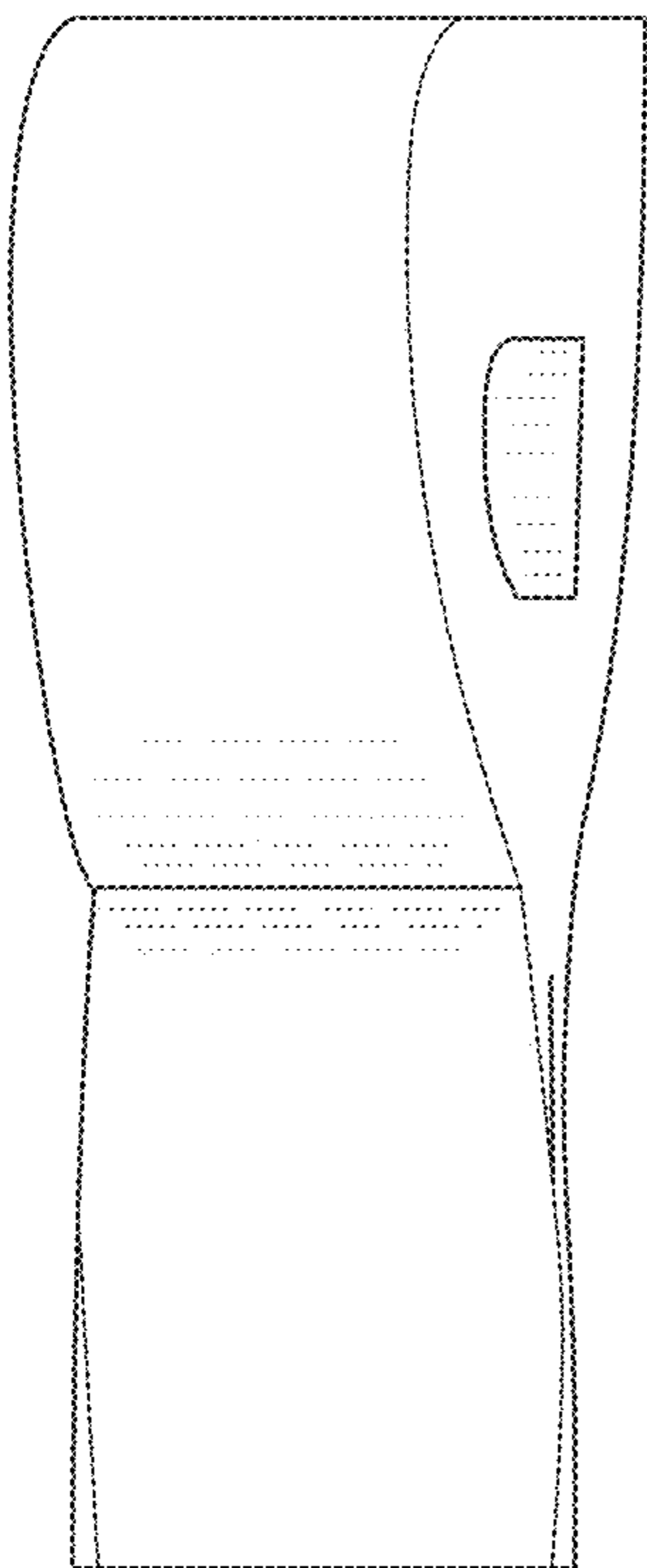


FIG. 125

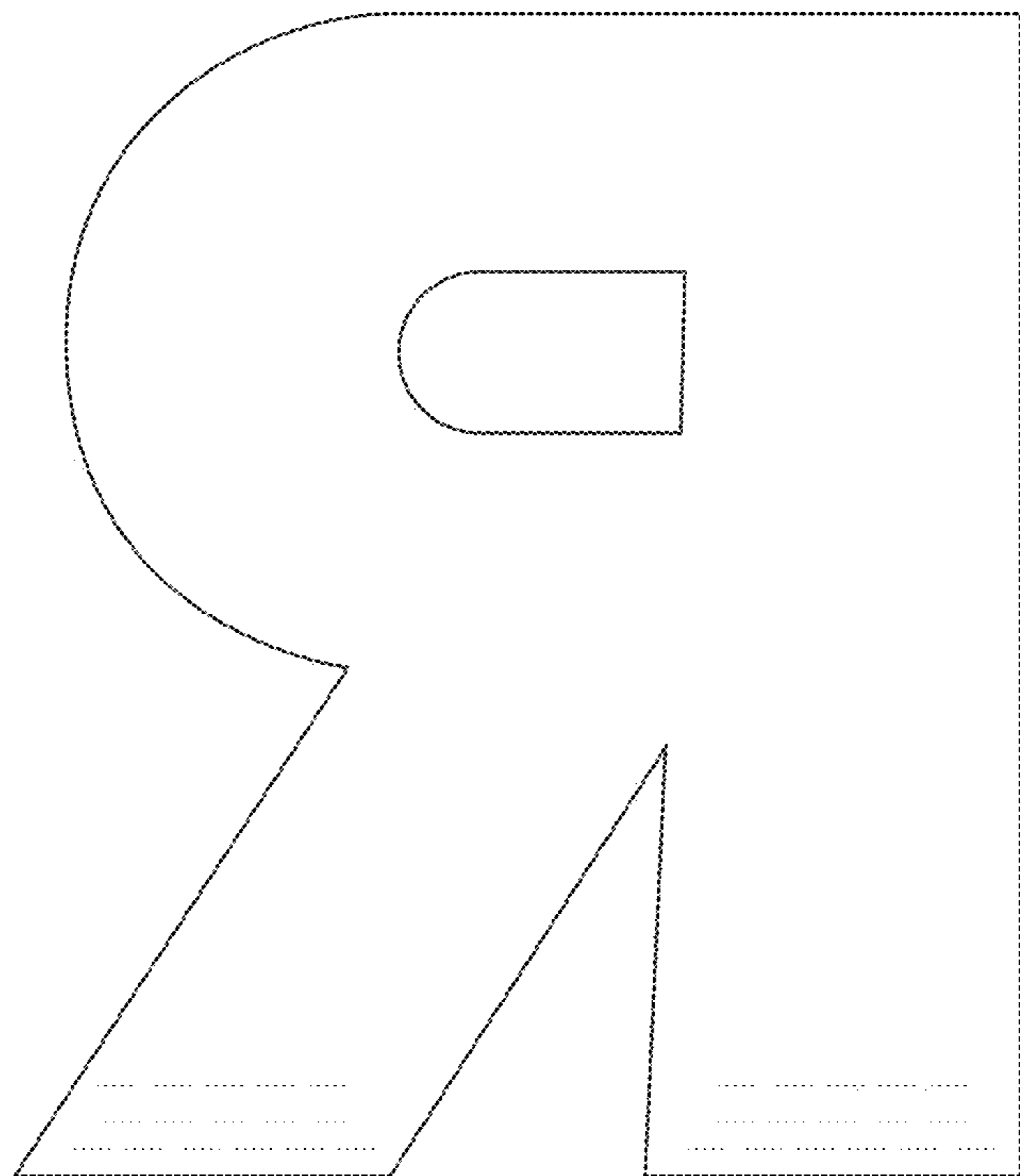


FIG. 126

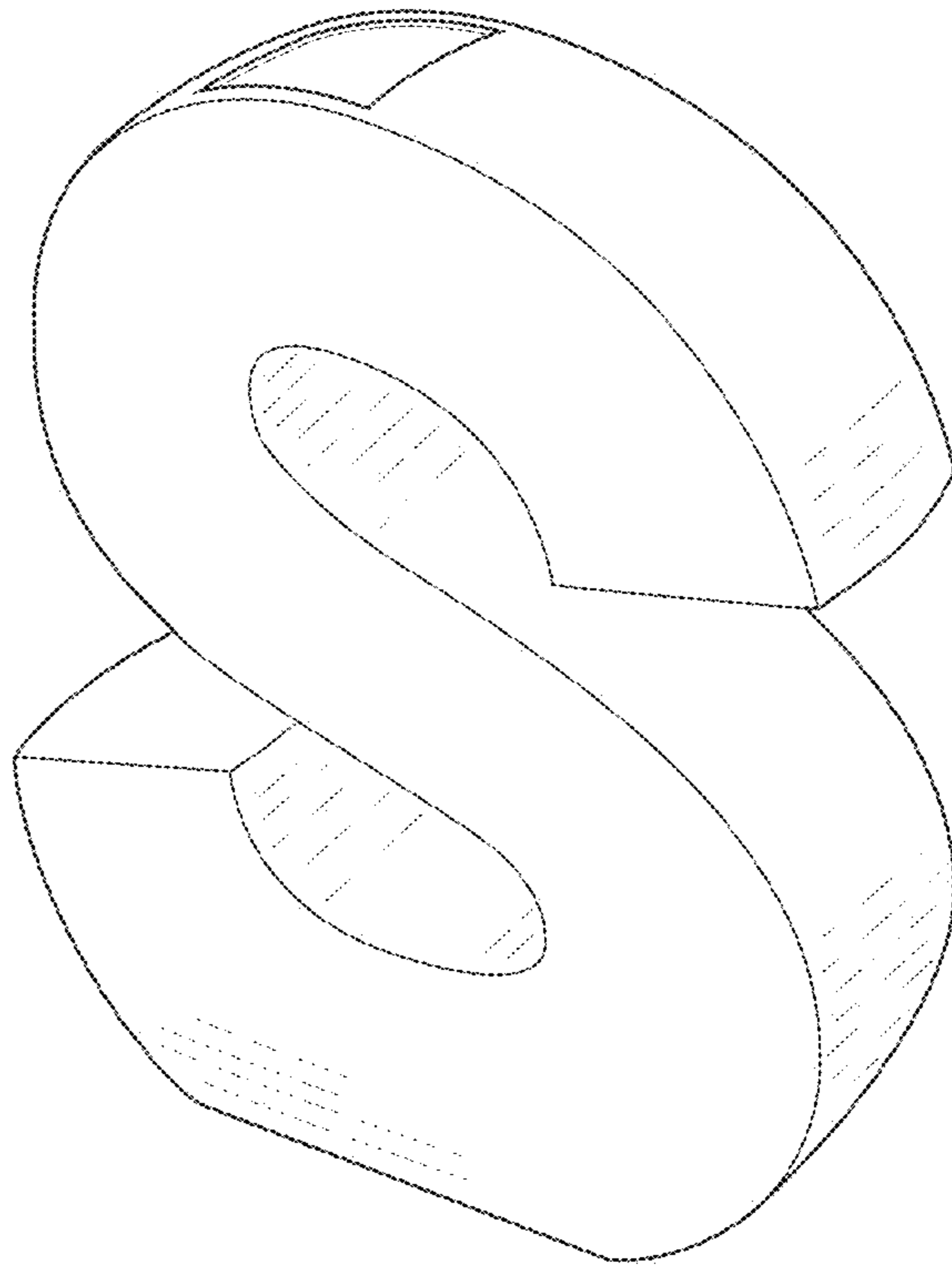


FIG. 127

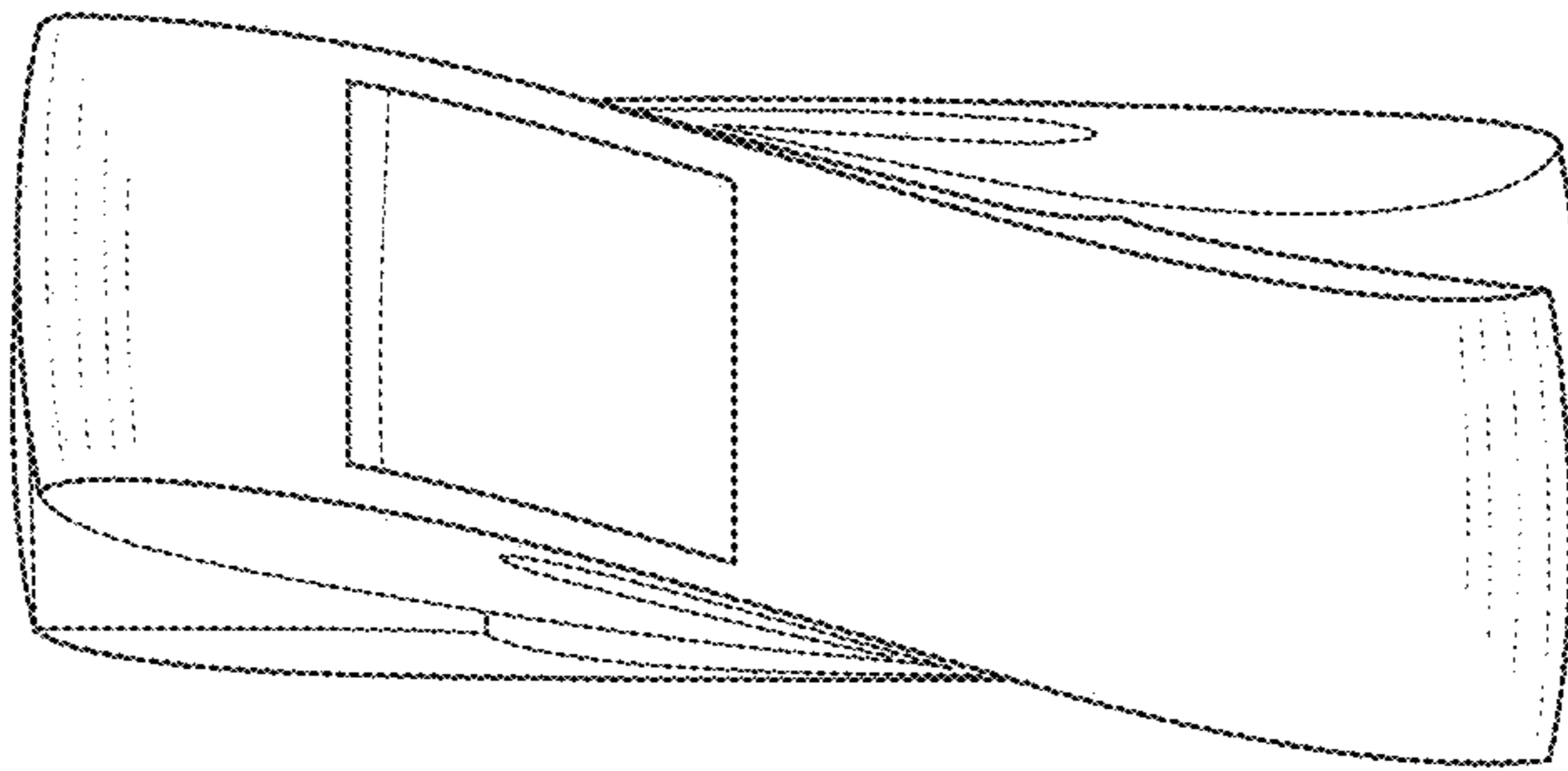


FIG. 128

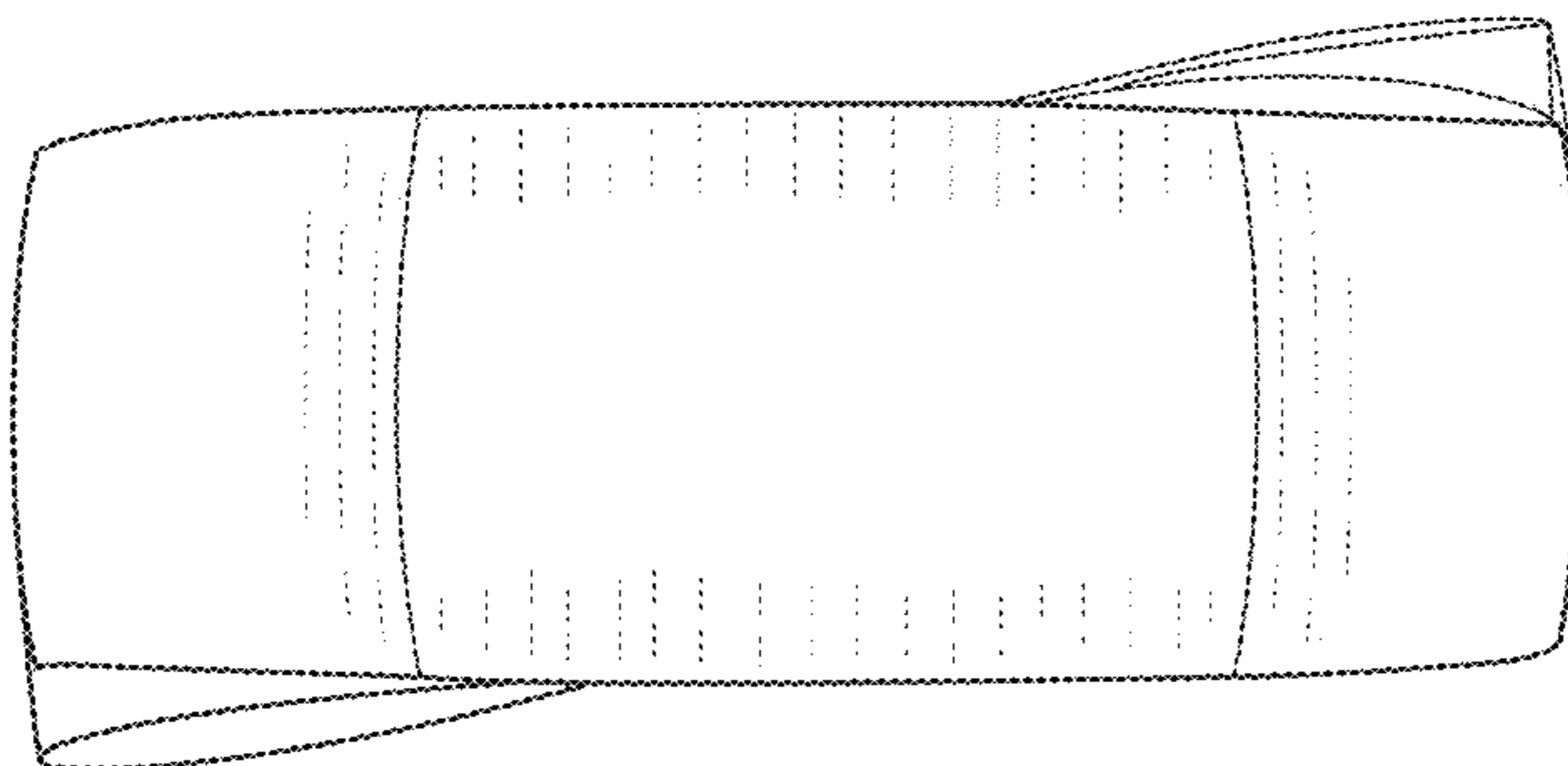


FIG. 129



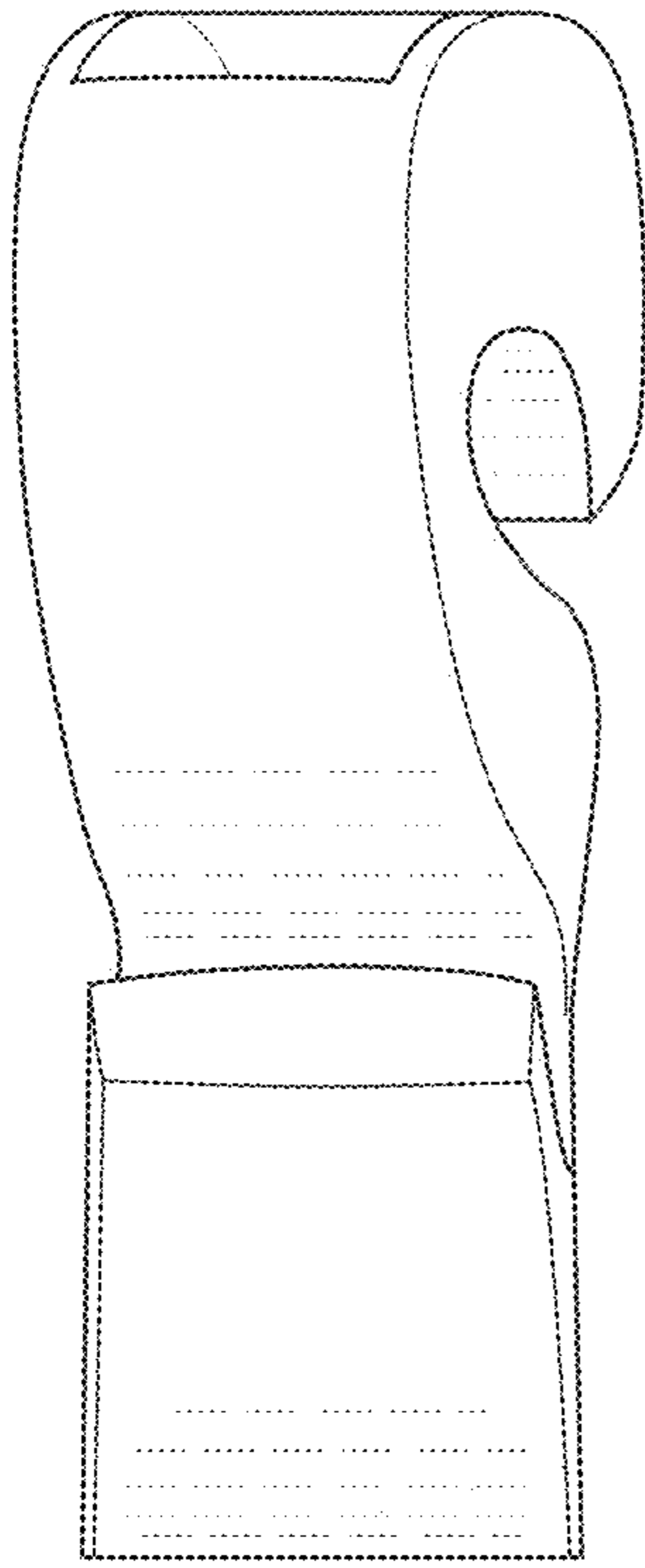


FIG. 130

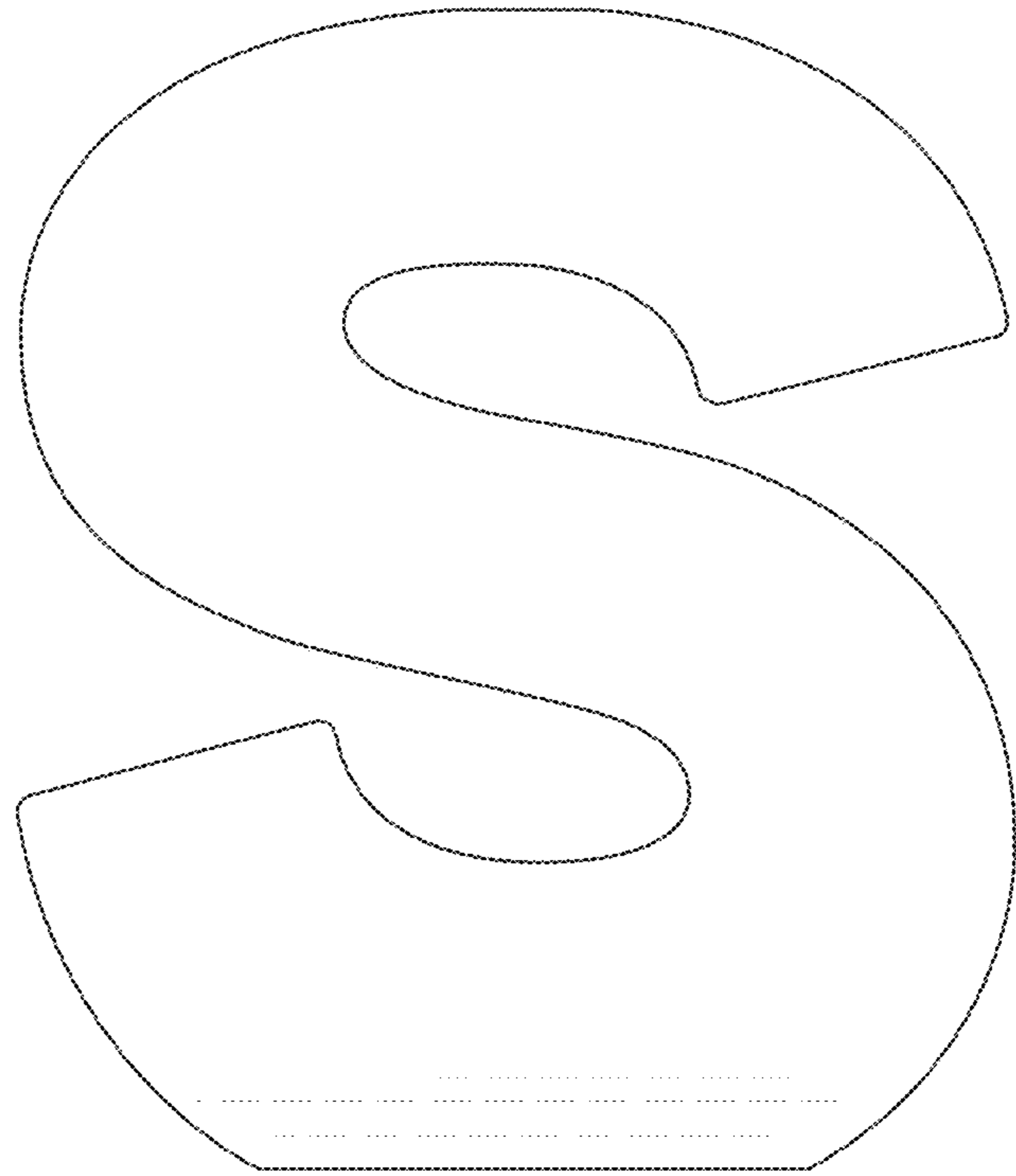


FIG. 131

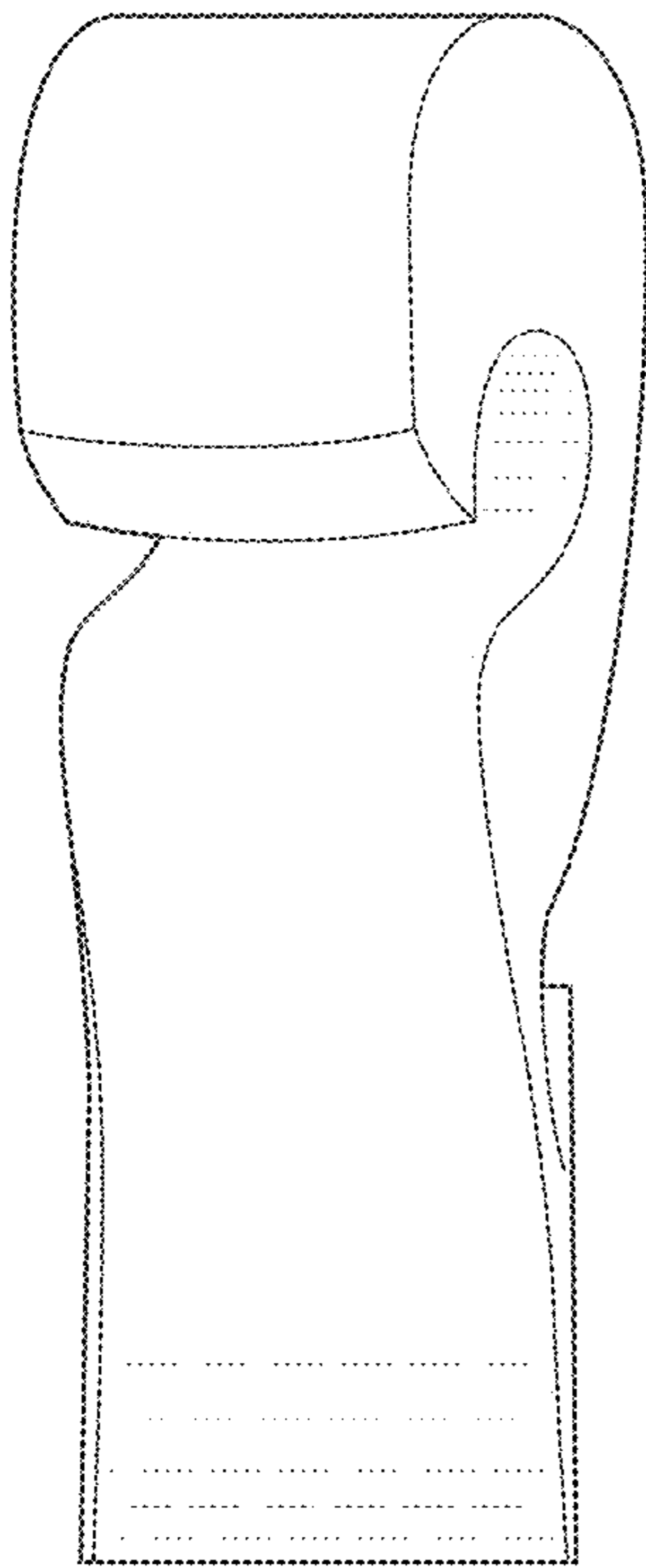


FIG. 132

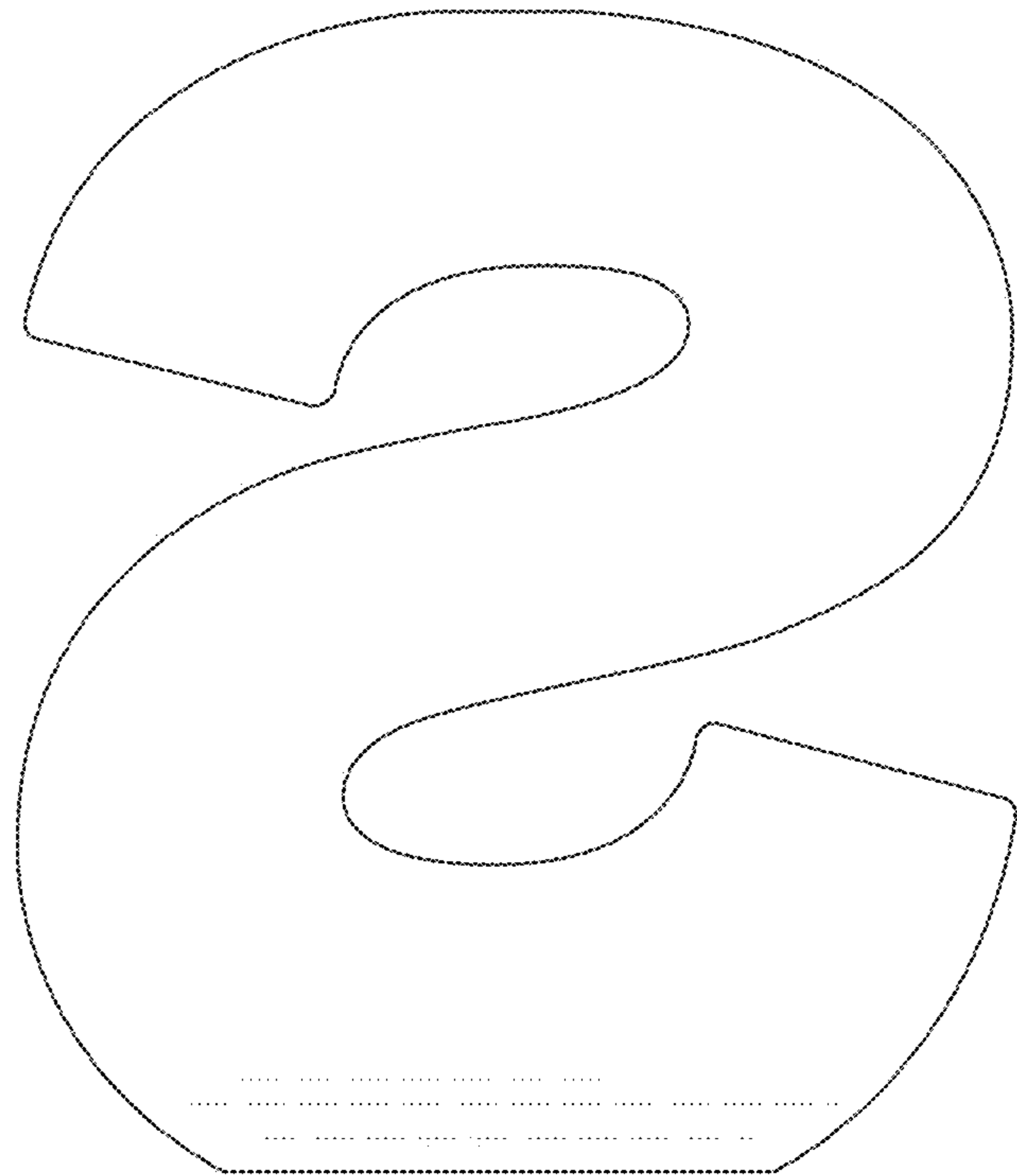


FIG. 133

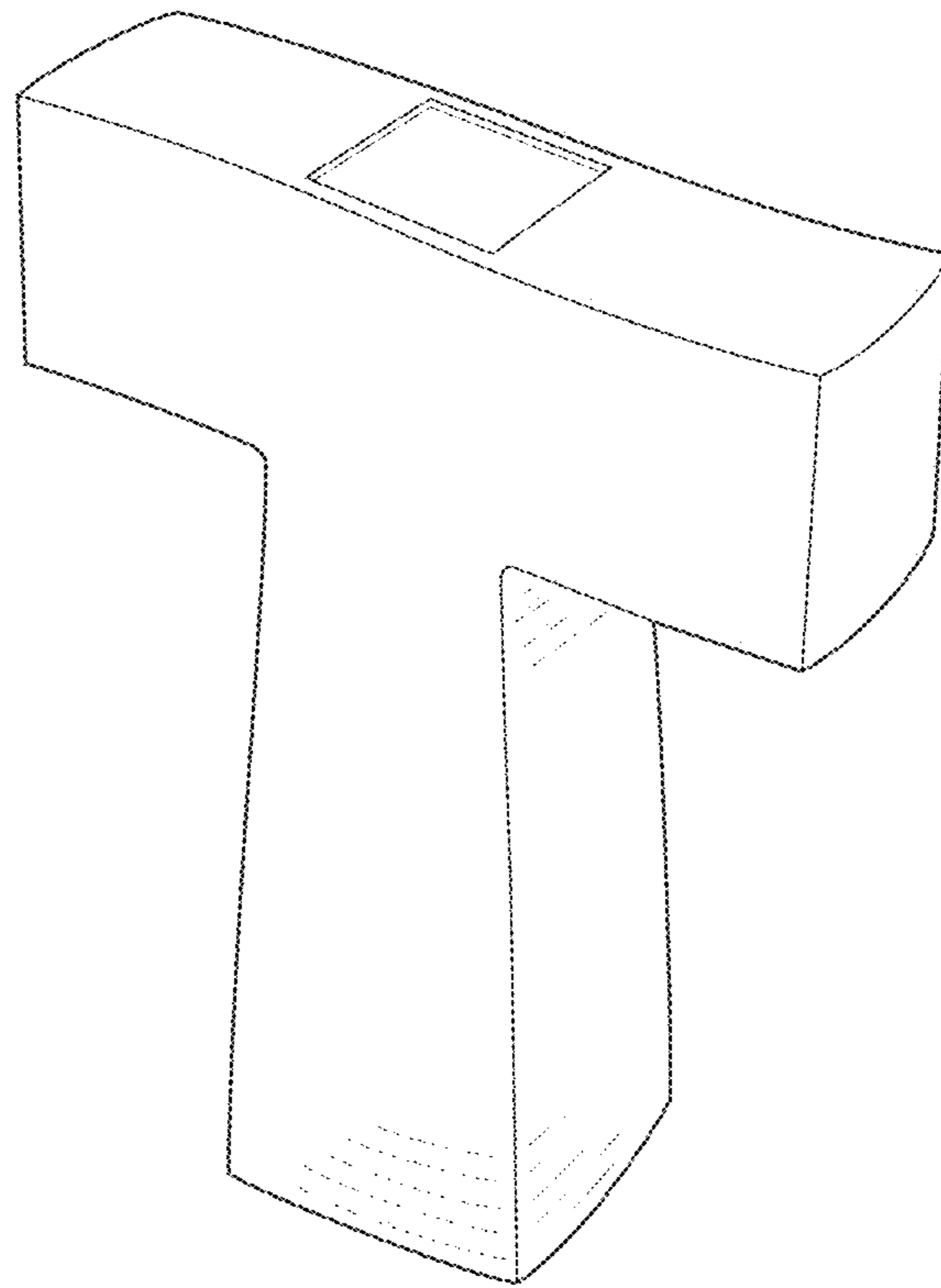


FIG. 134

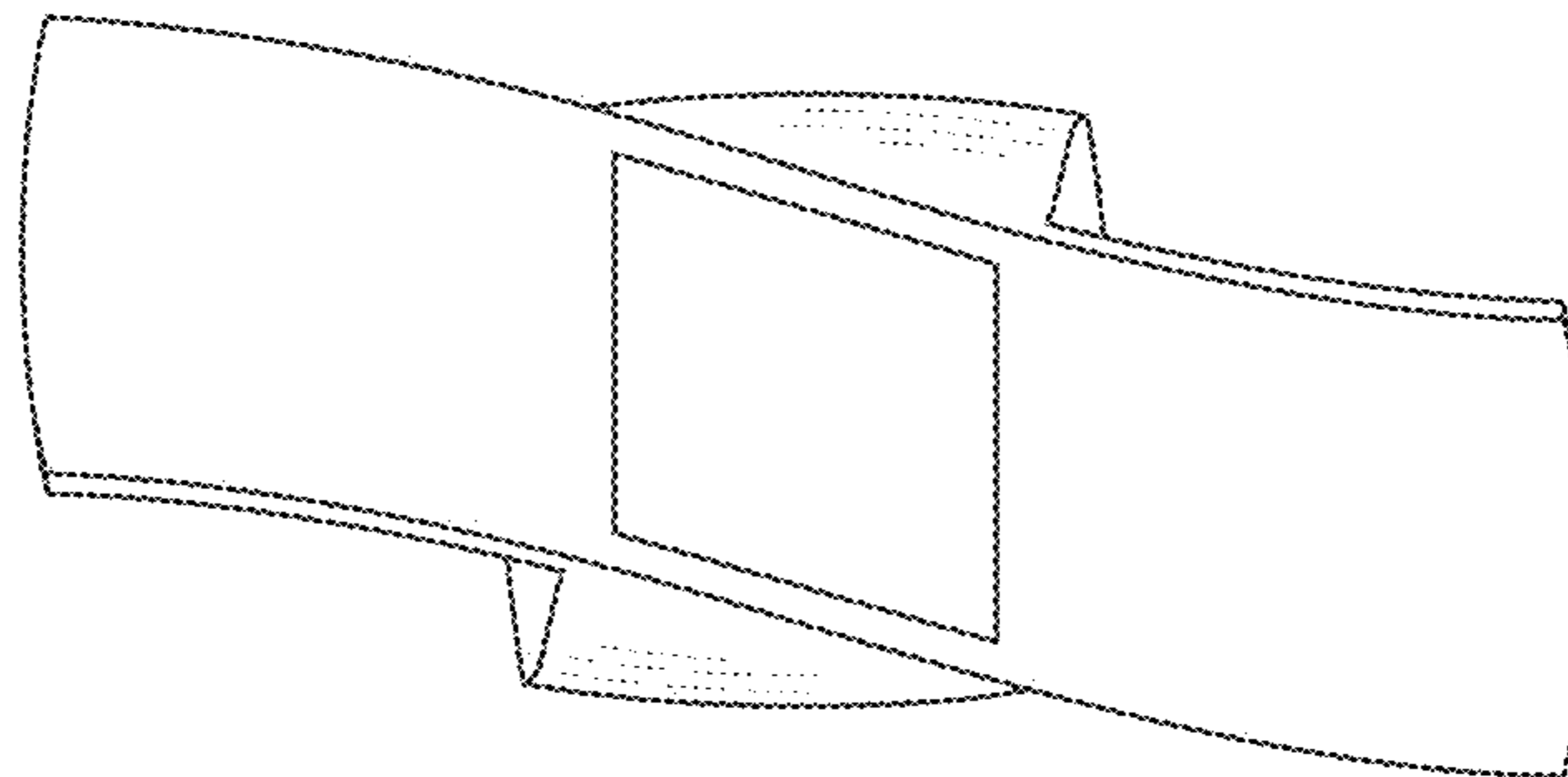


FIG. 135

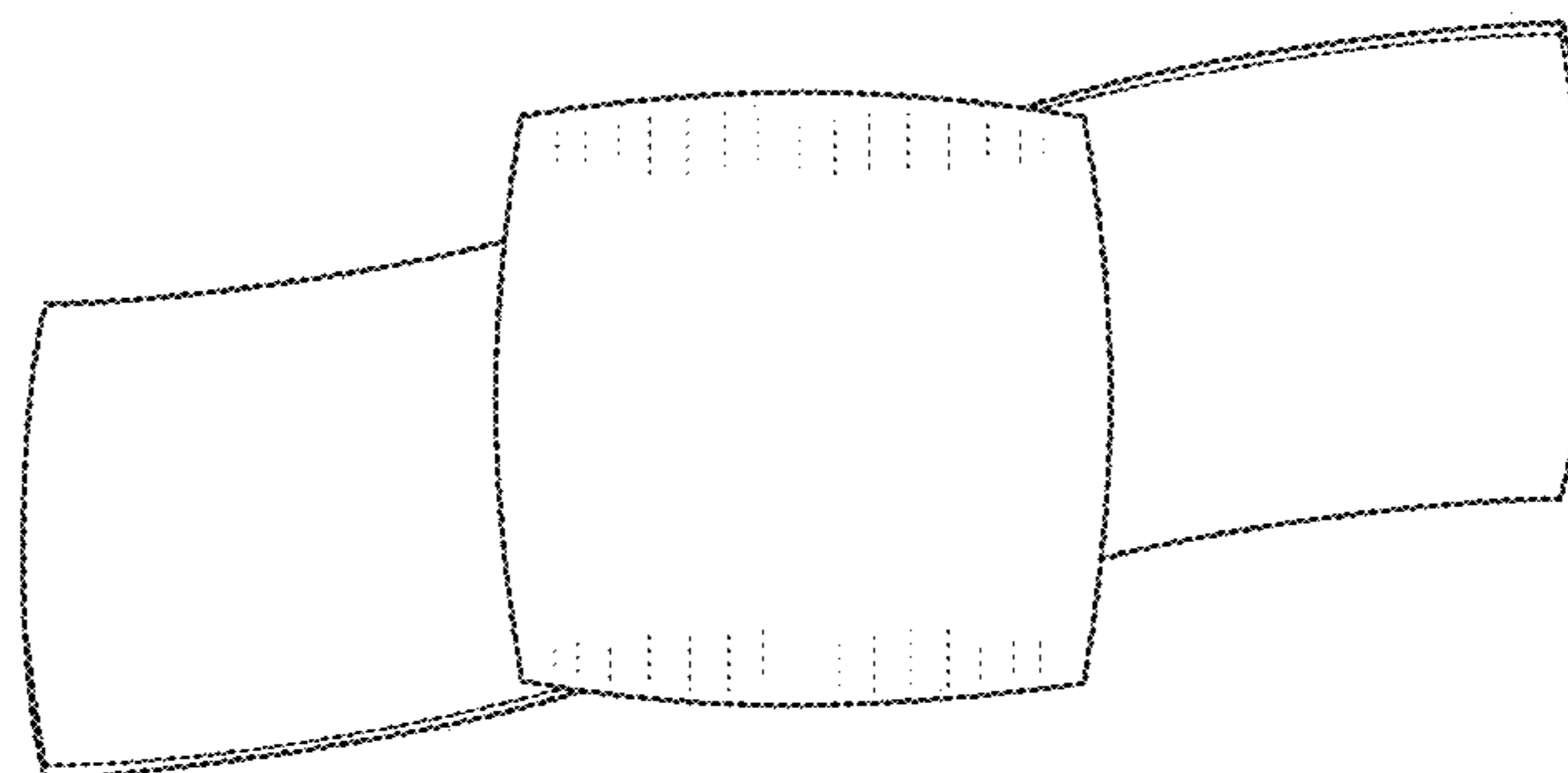


FIG. 136

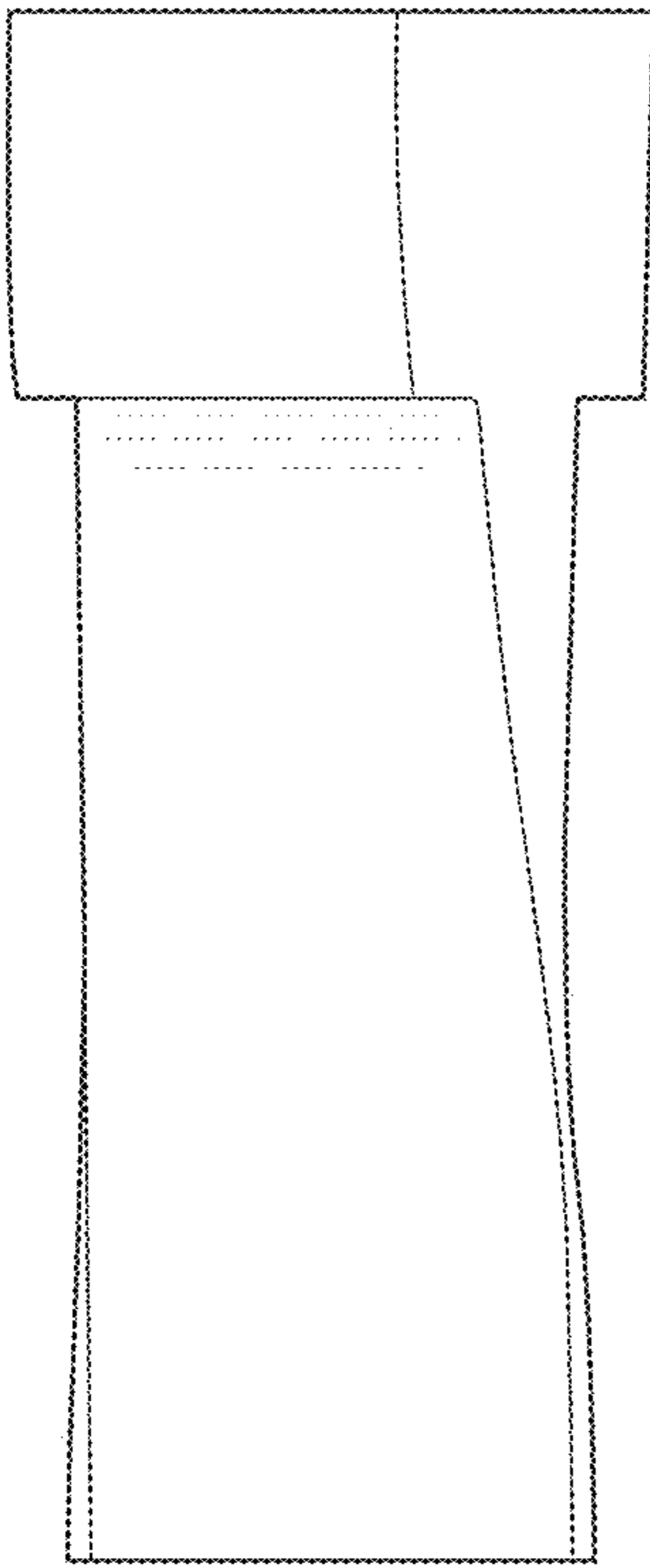


FIG. 137

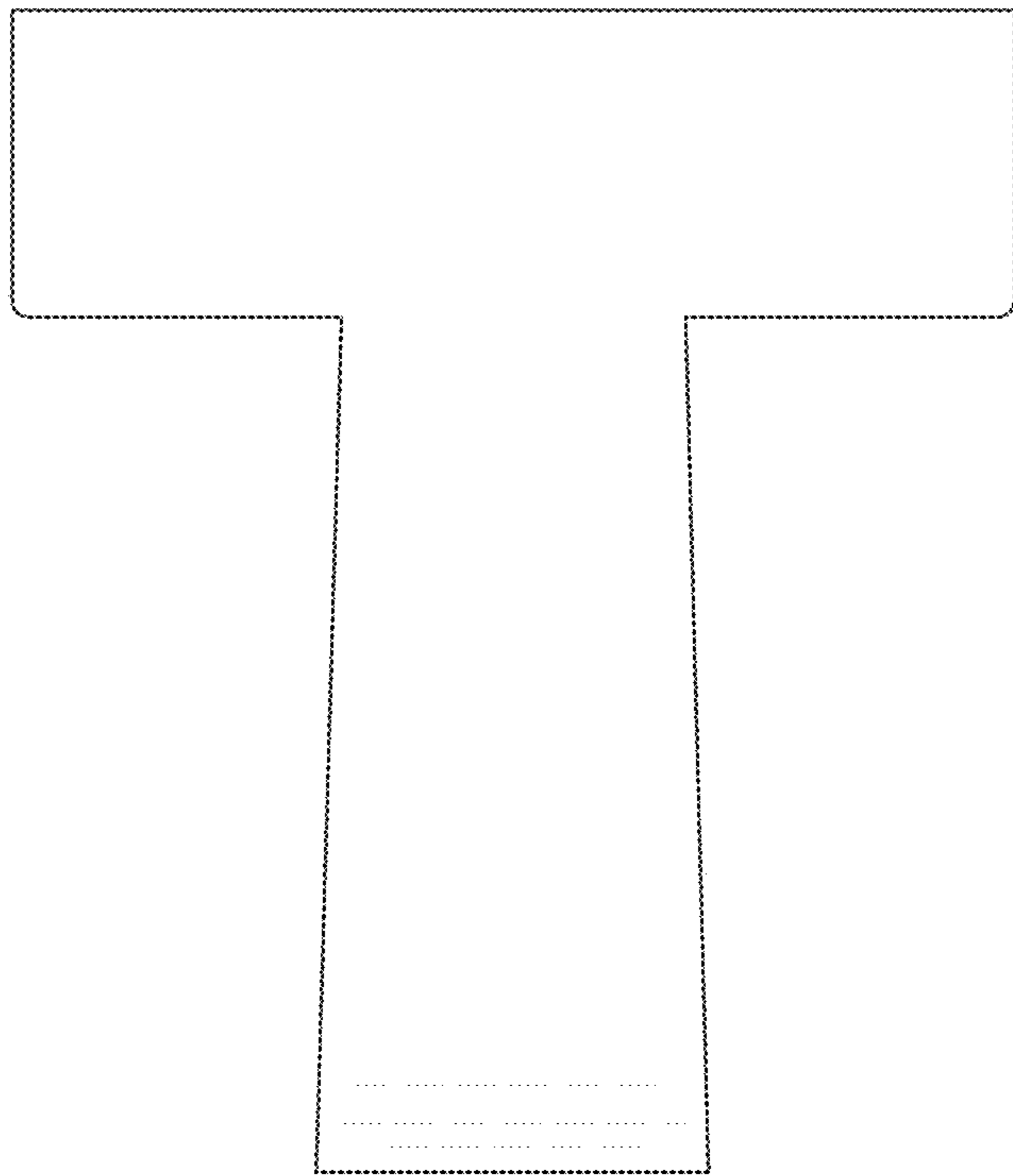


FIG. 138

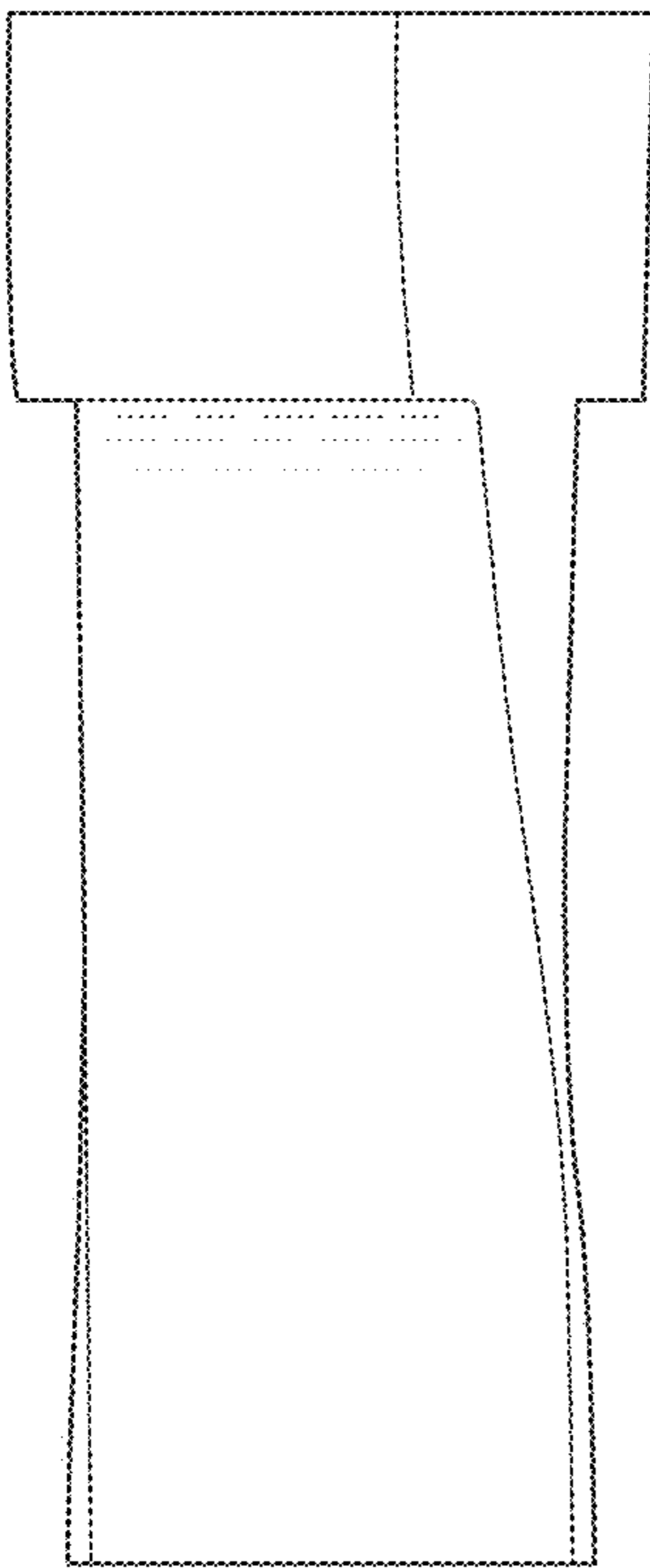


FIG. 139

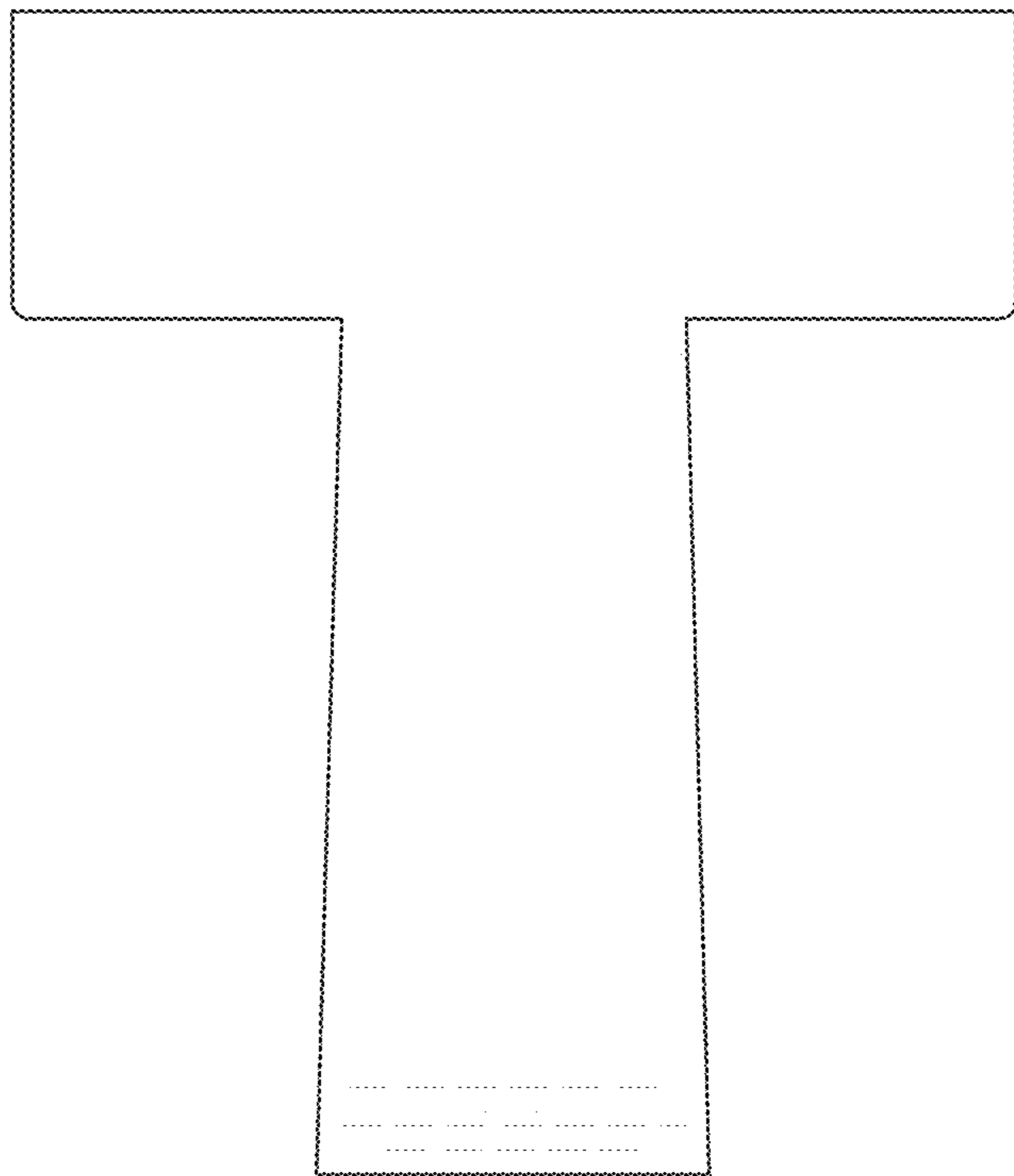


FIG. 140

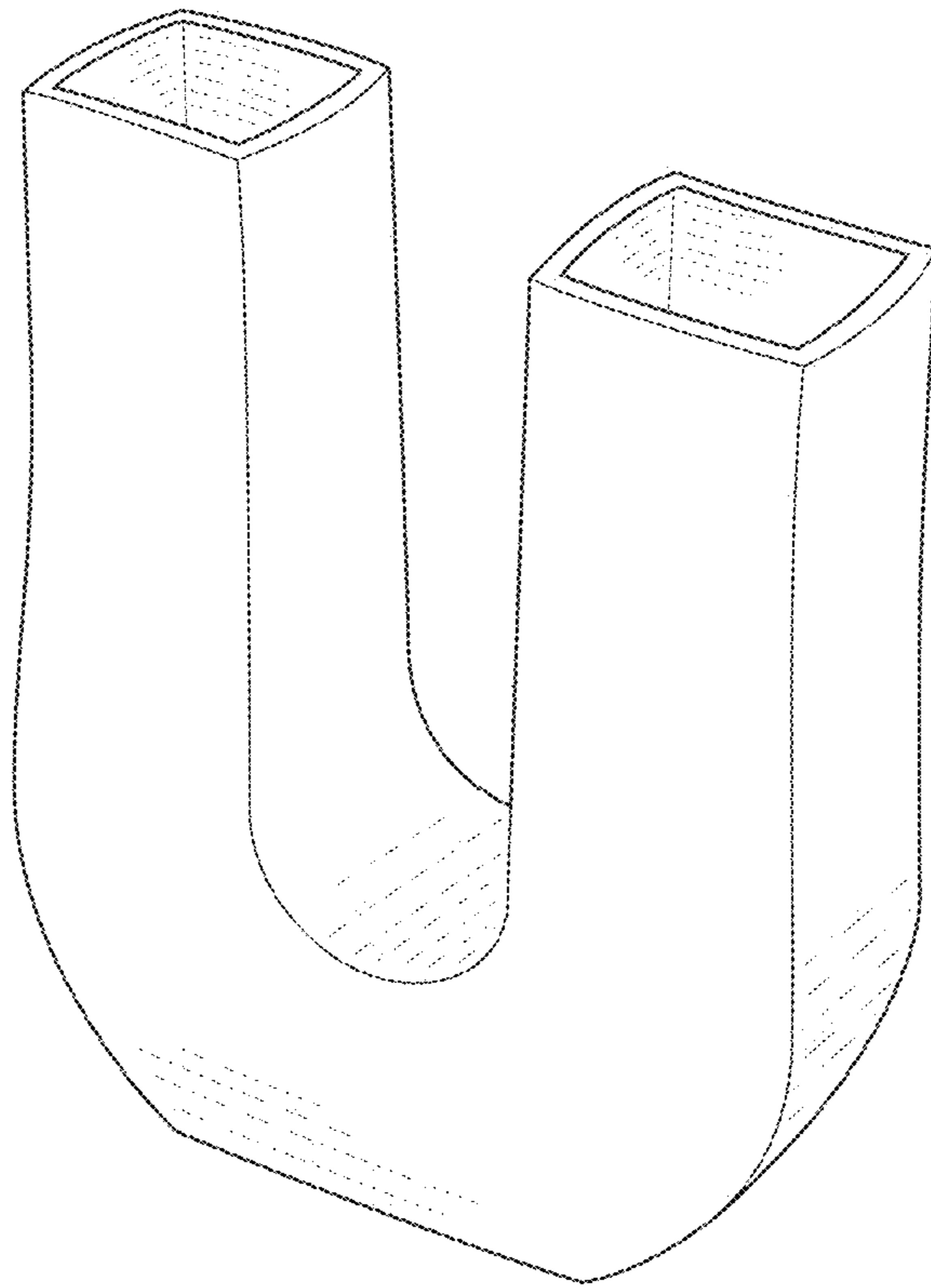


FIG. 141

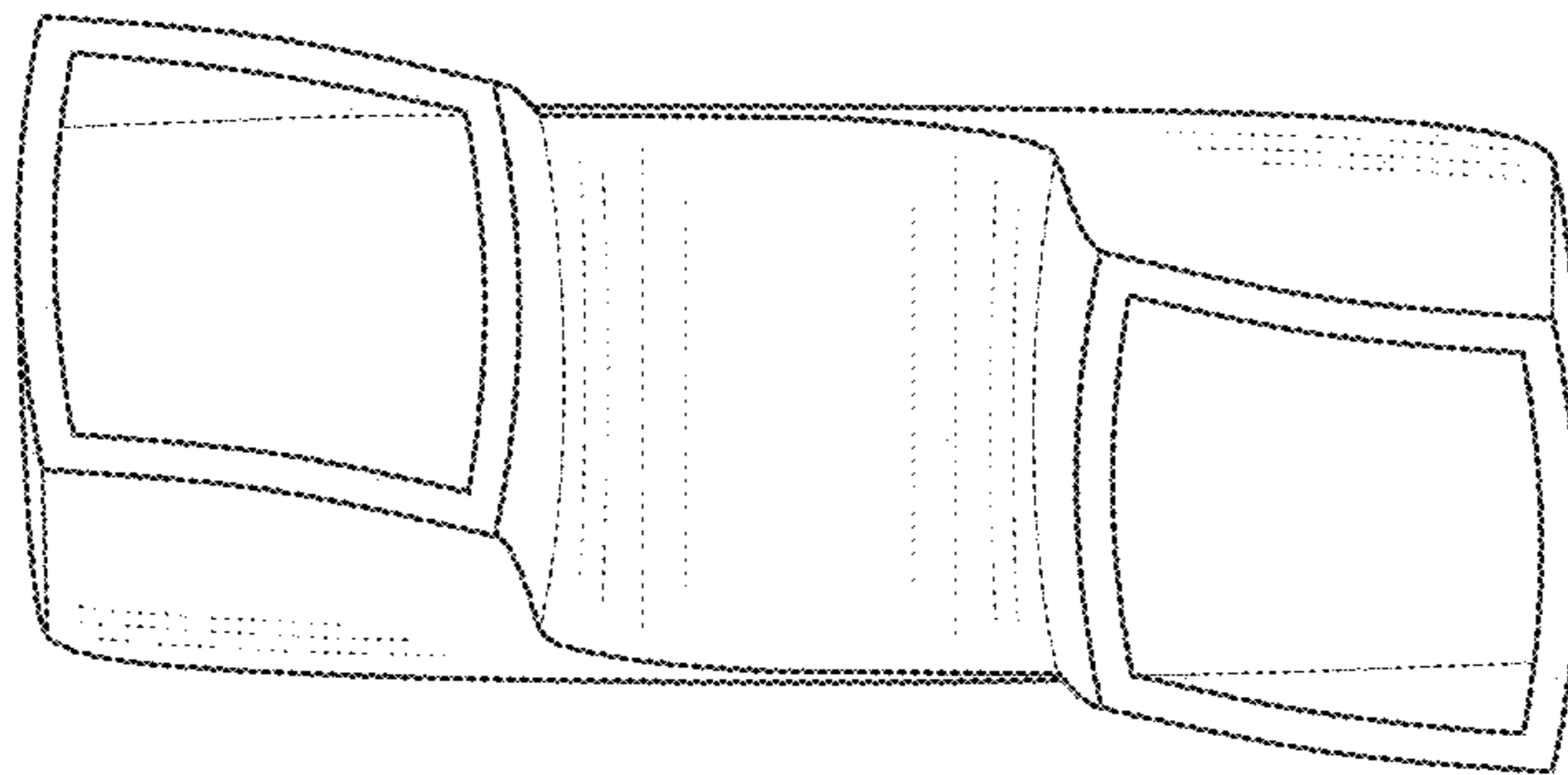


FIG. 142

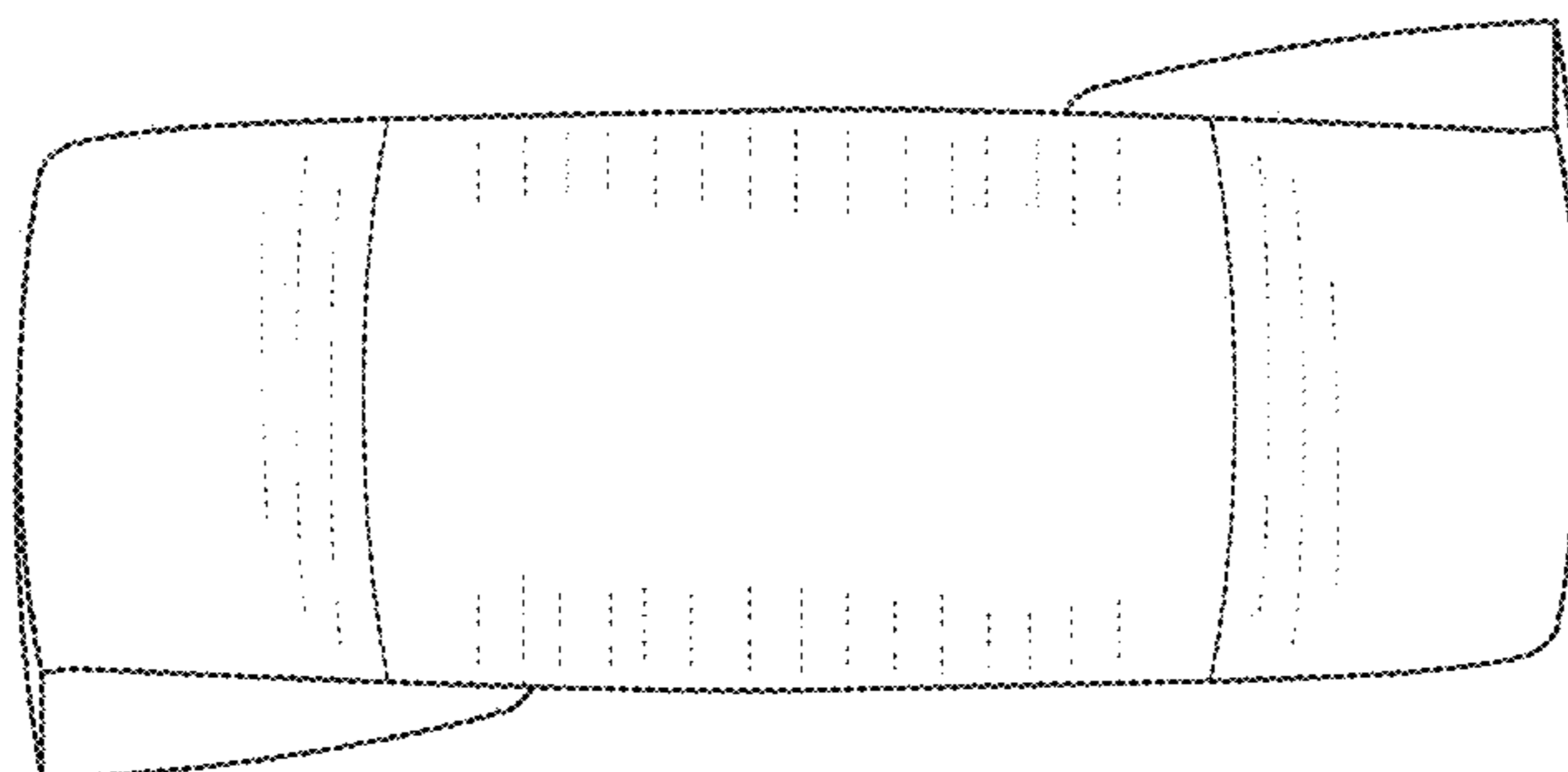


FIG. 143

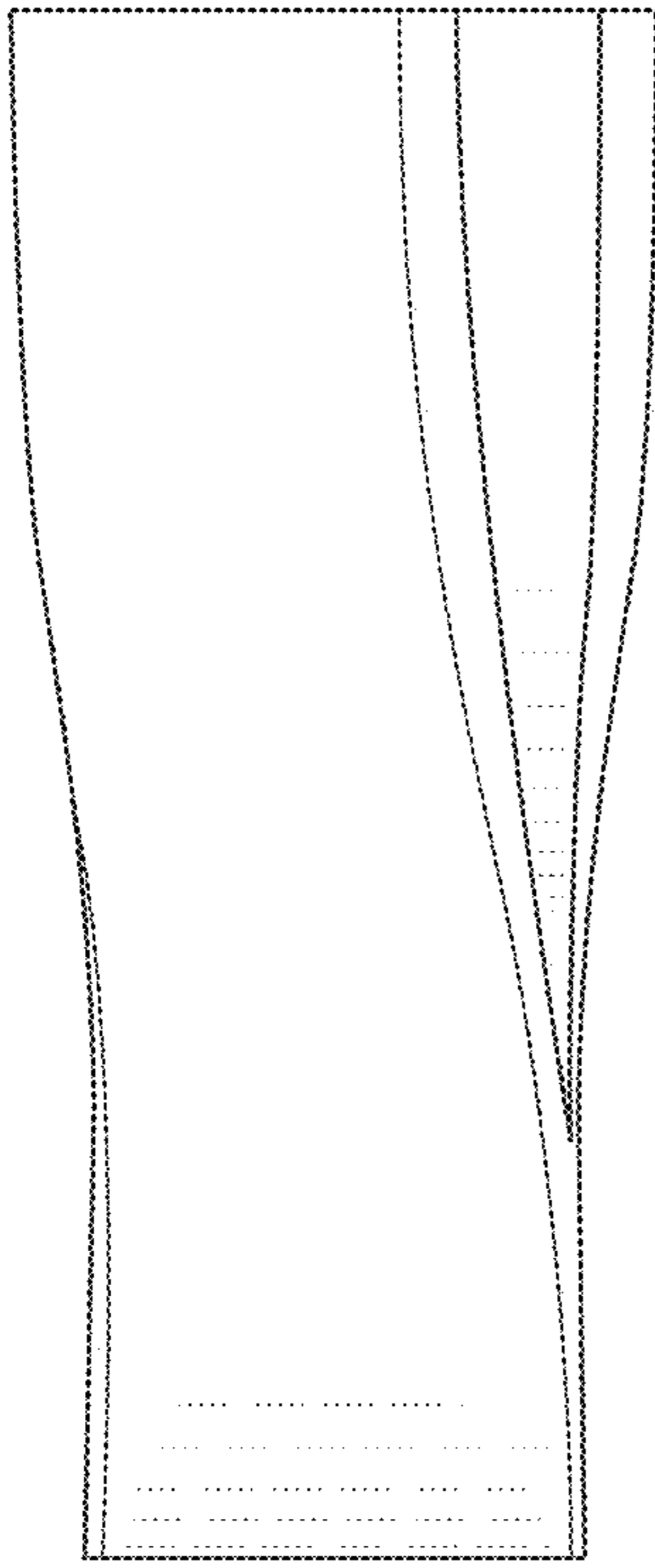


FIG. 144

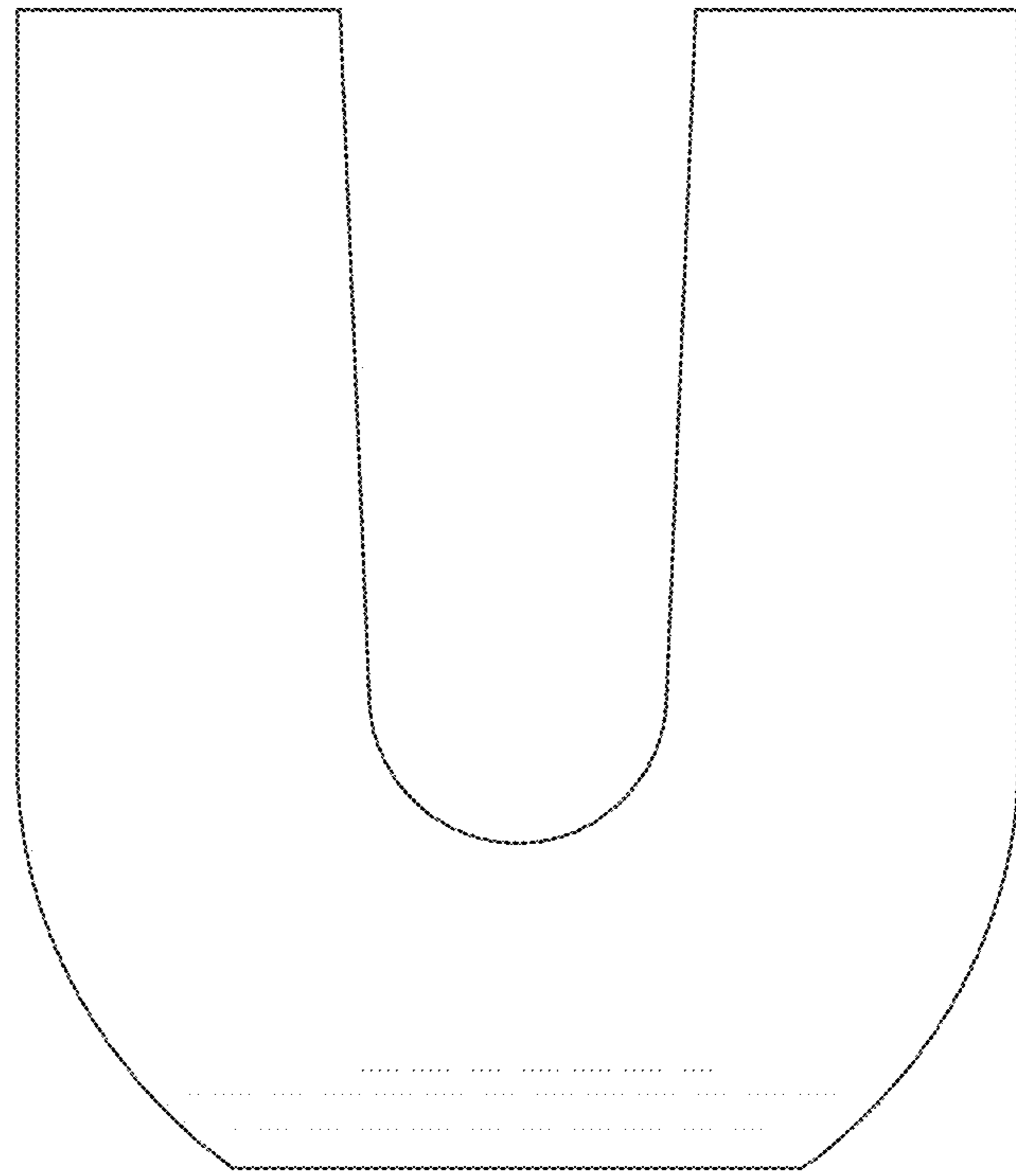


FIG. 145

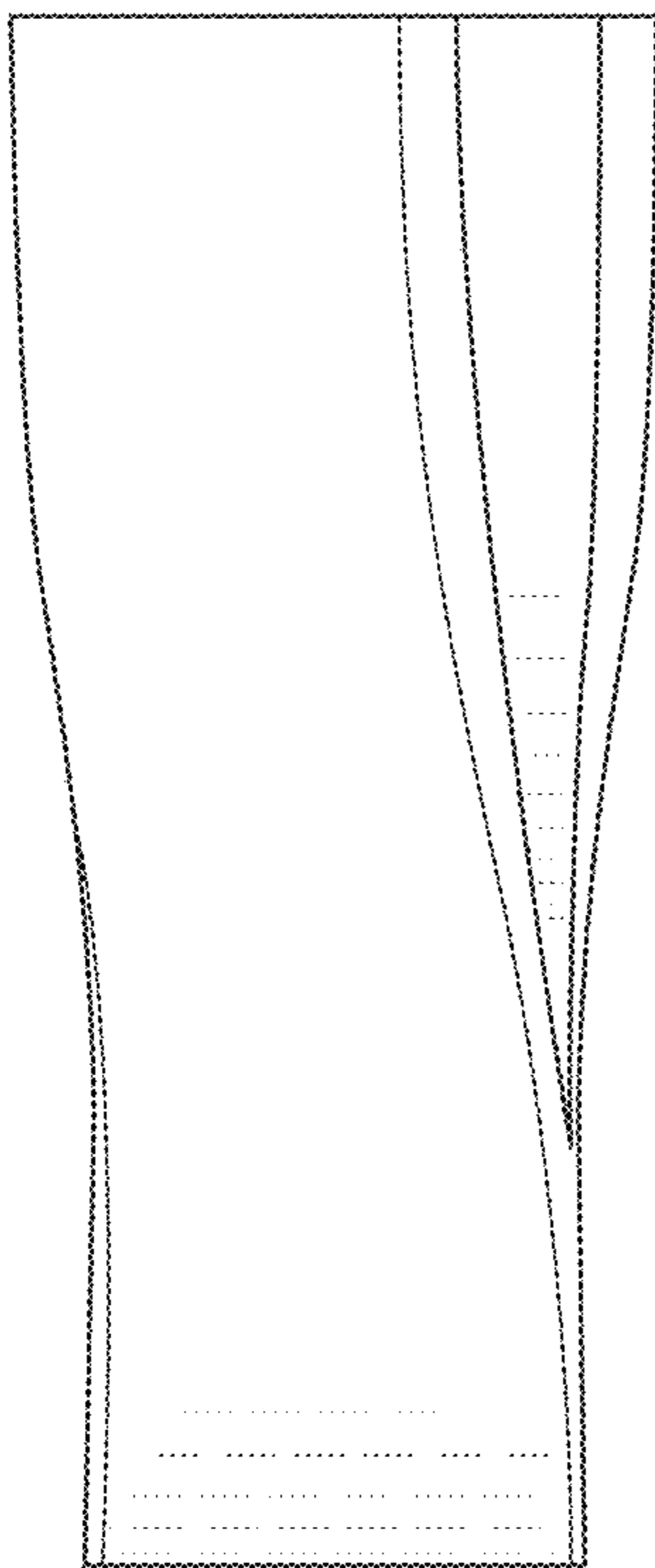


FIG. 146

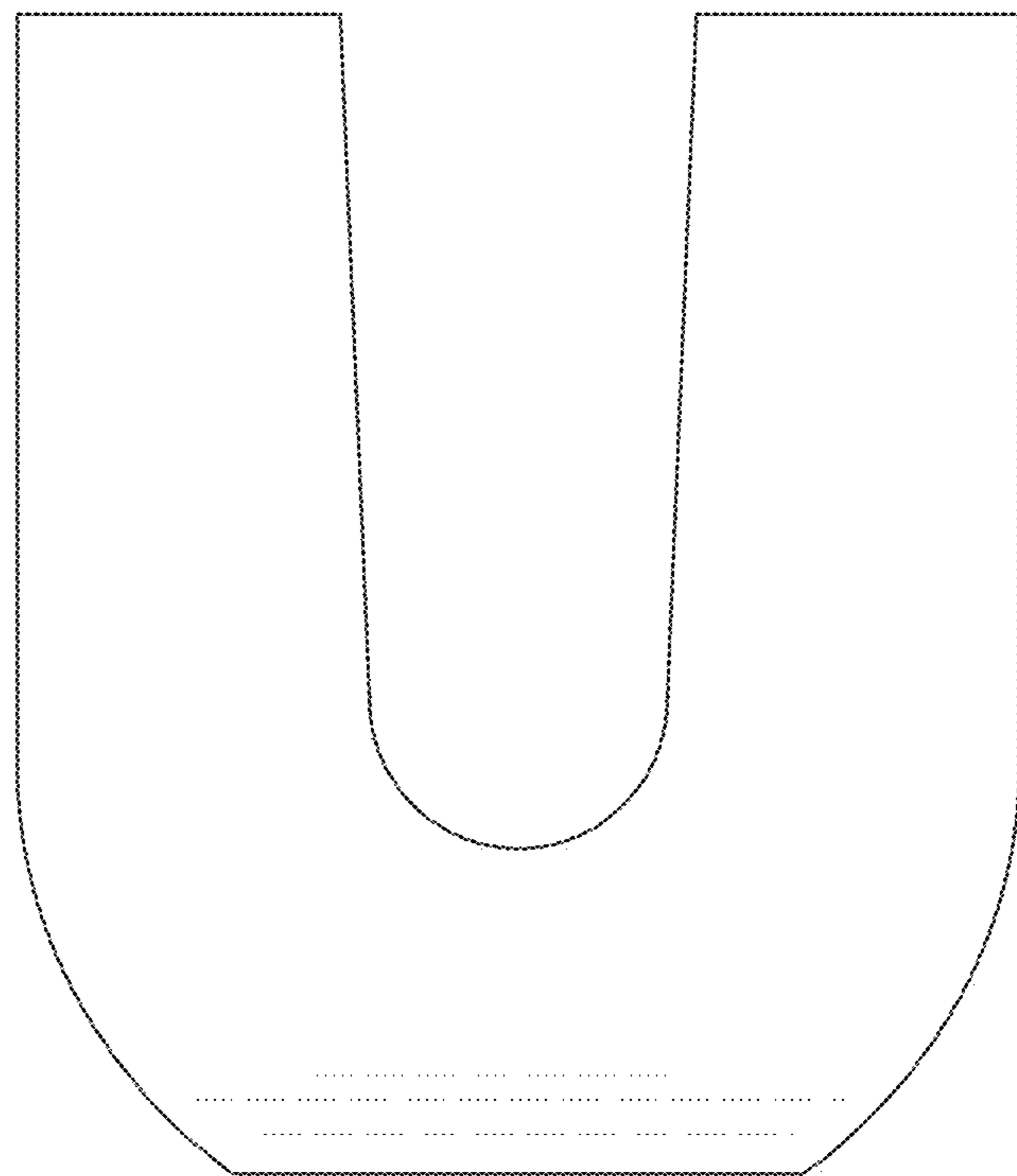


FIG. 147

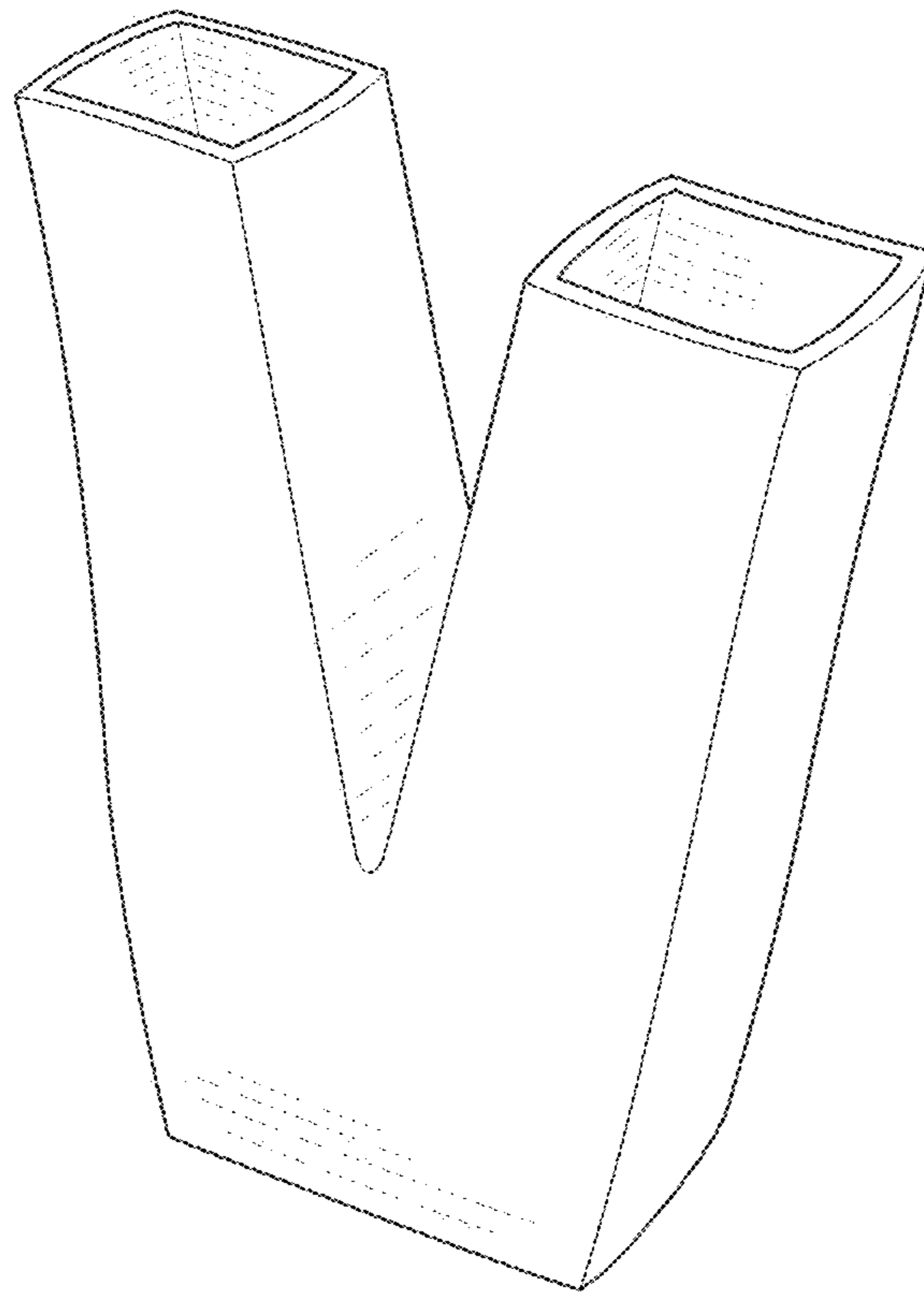


FIG. 148

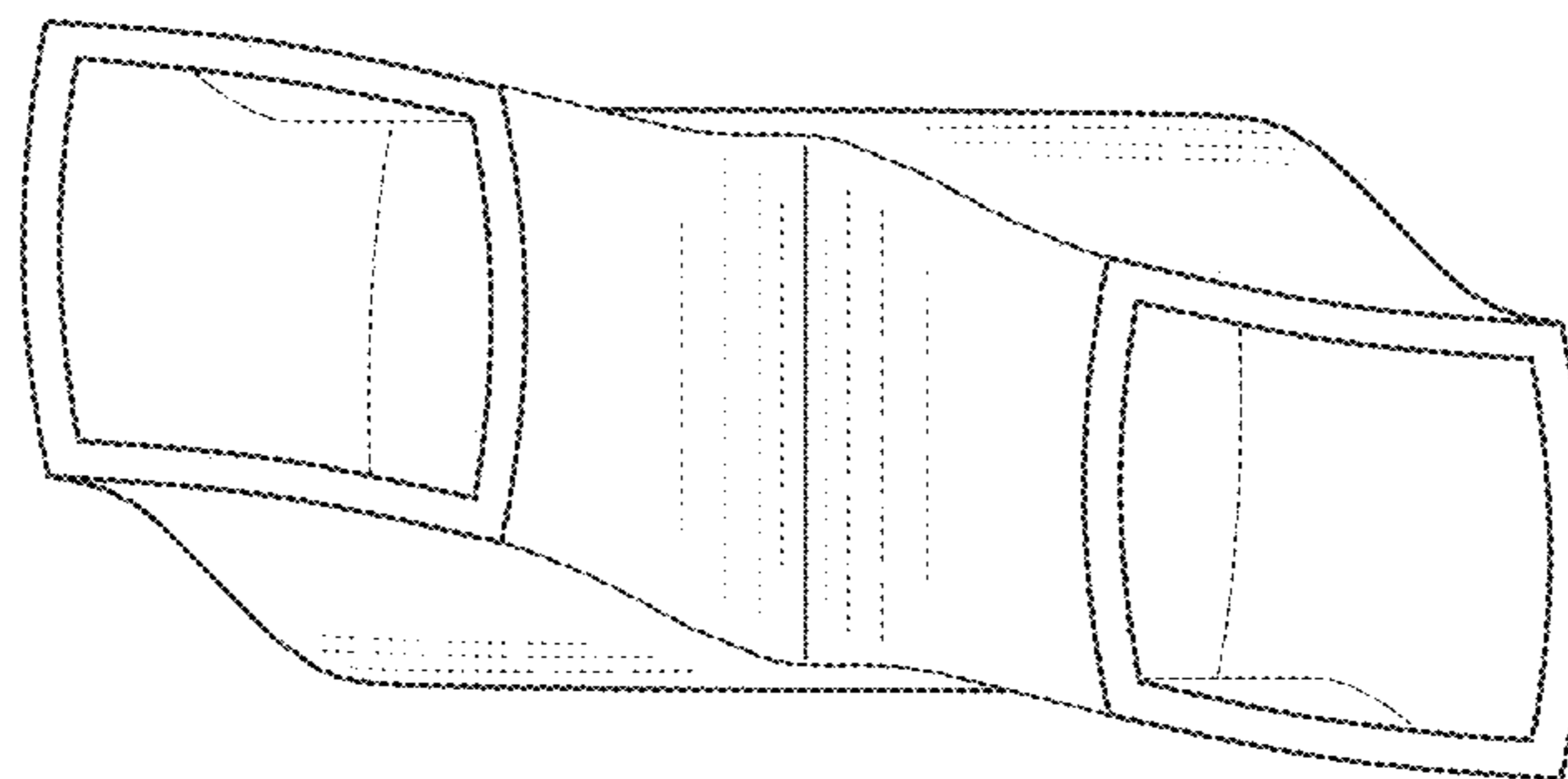


FIG. 149

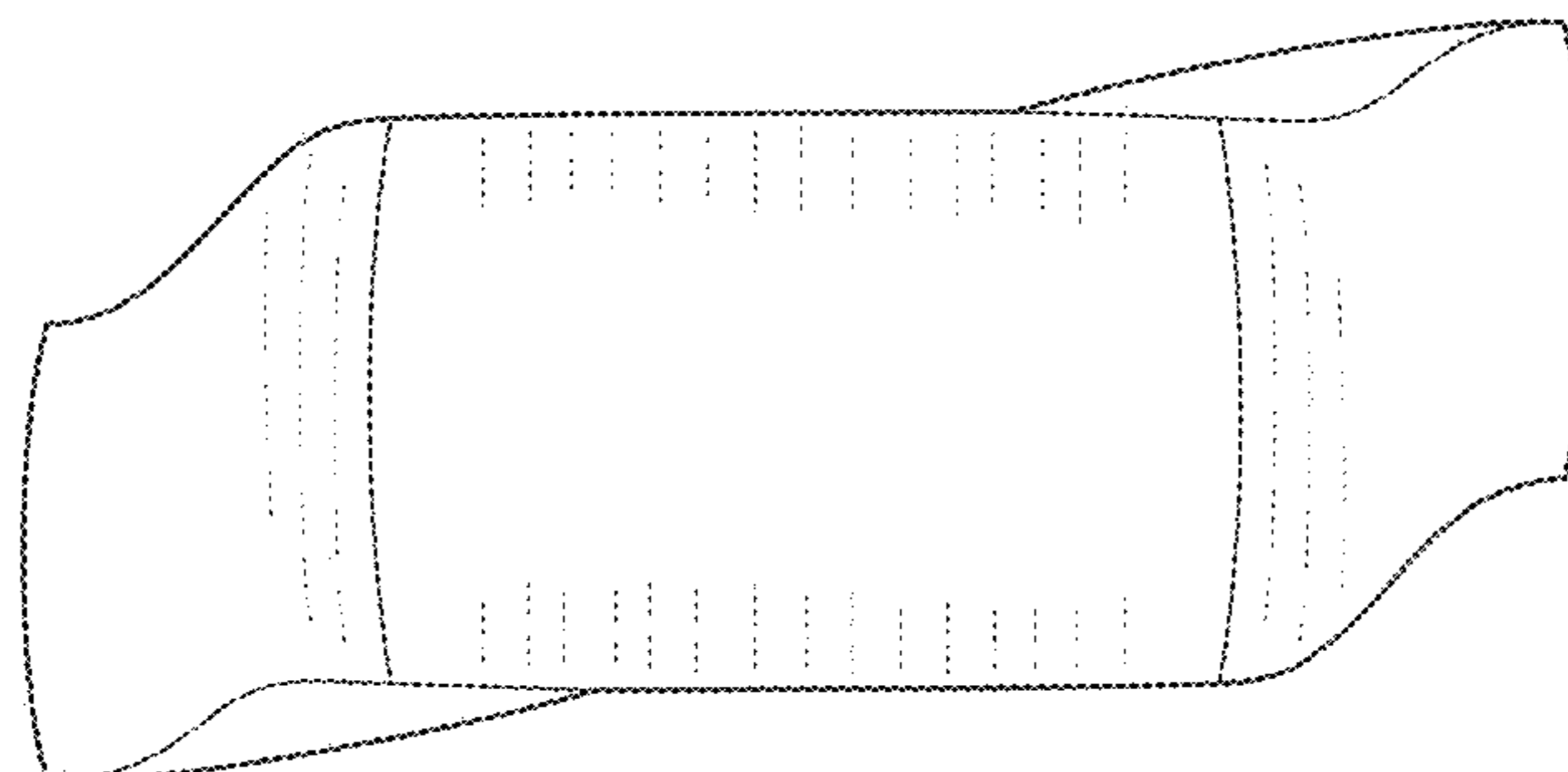


FIG. 150

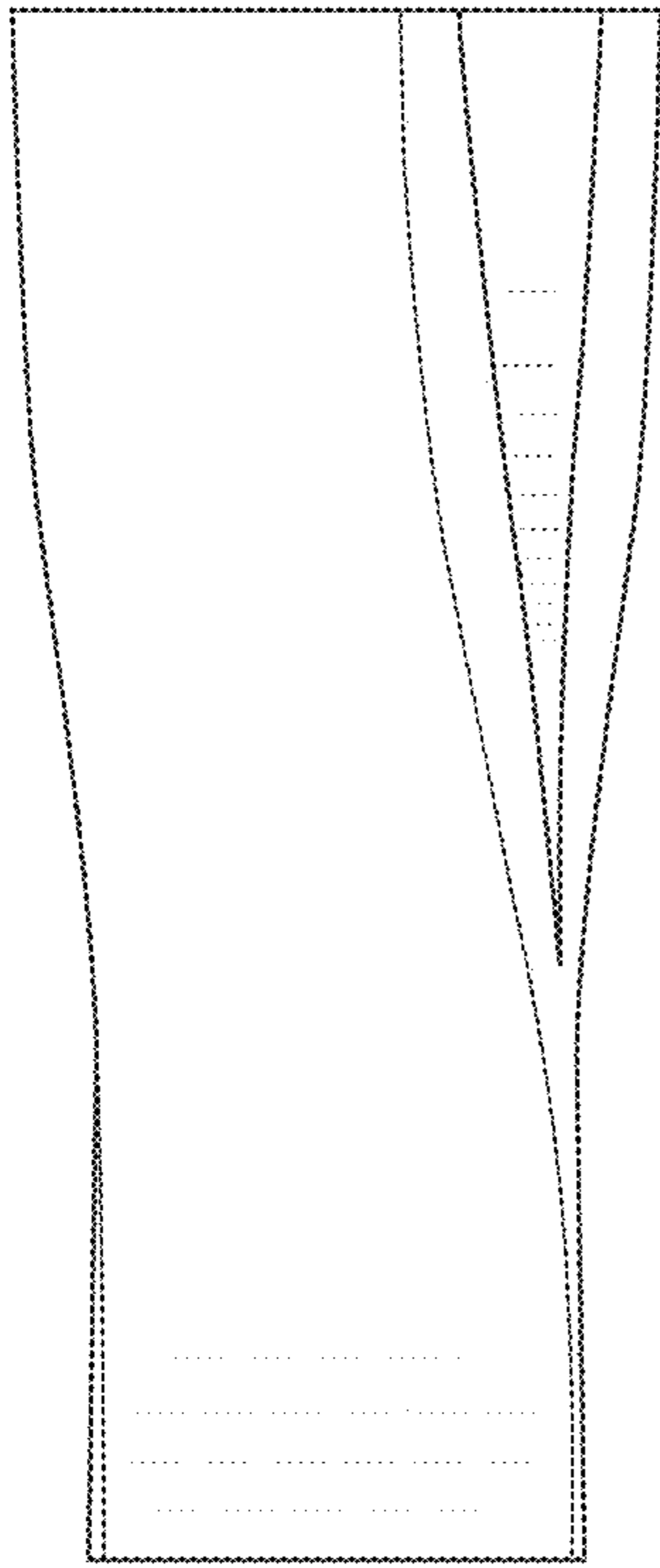


FIG. 151

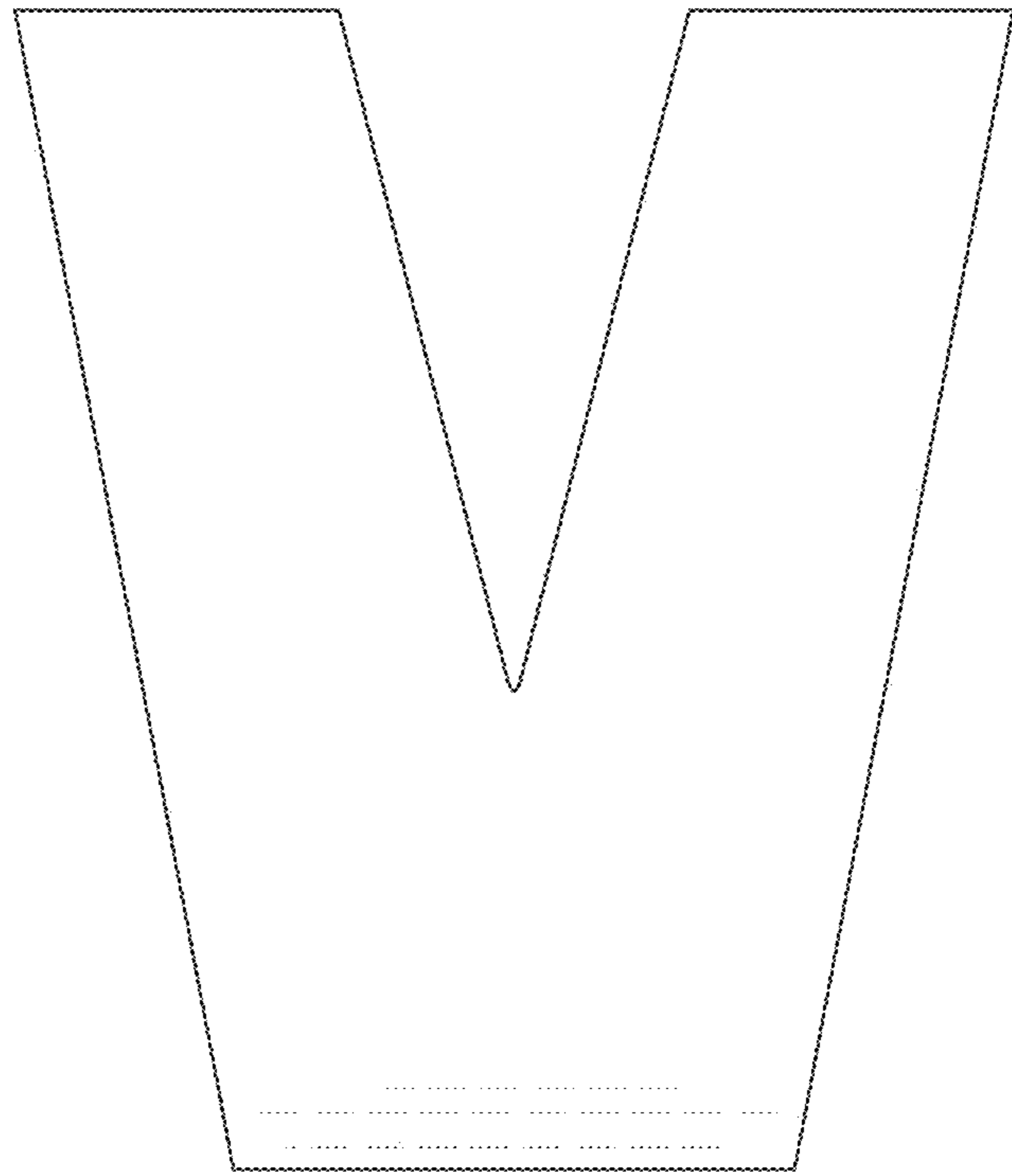


FIG. 152

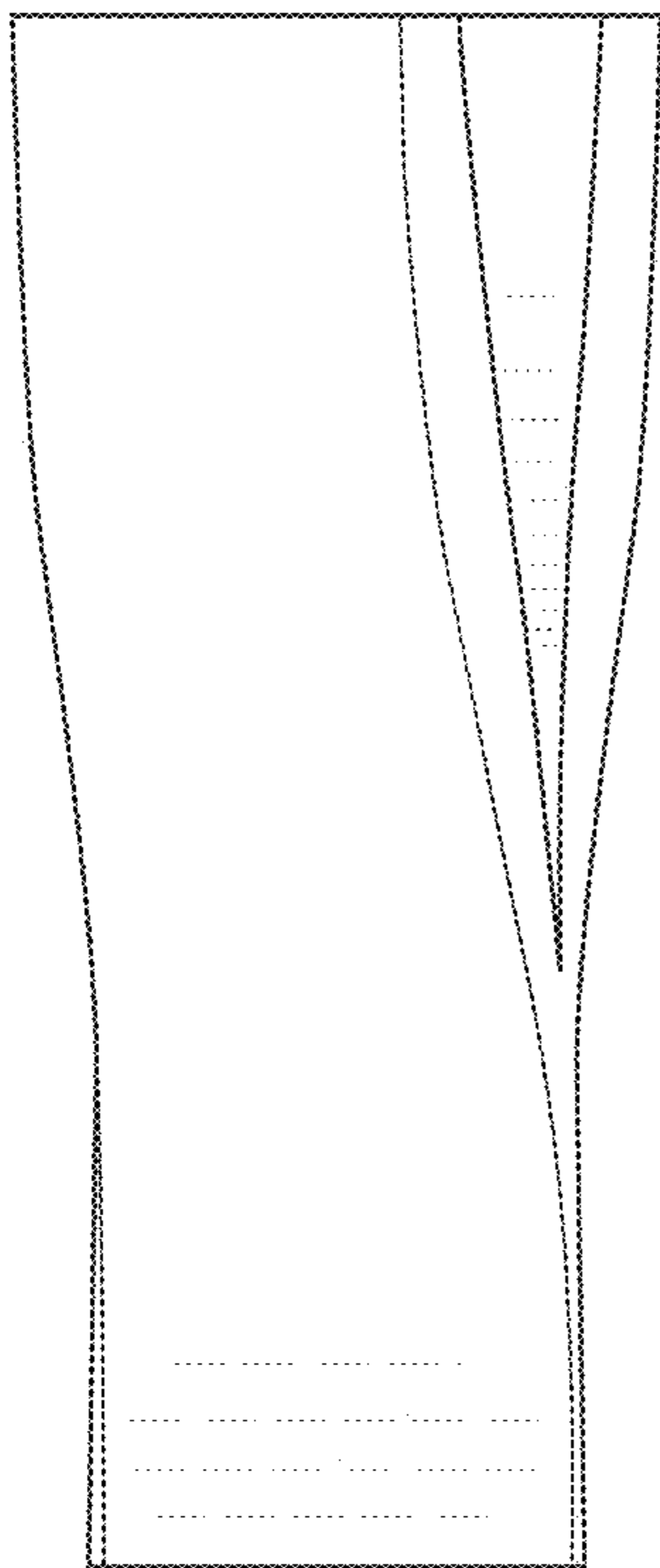


FIG. 153

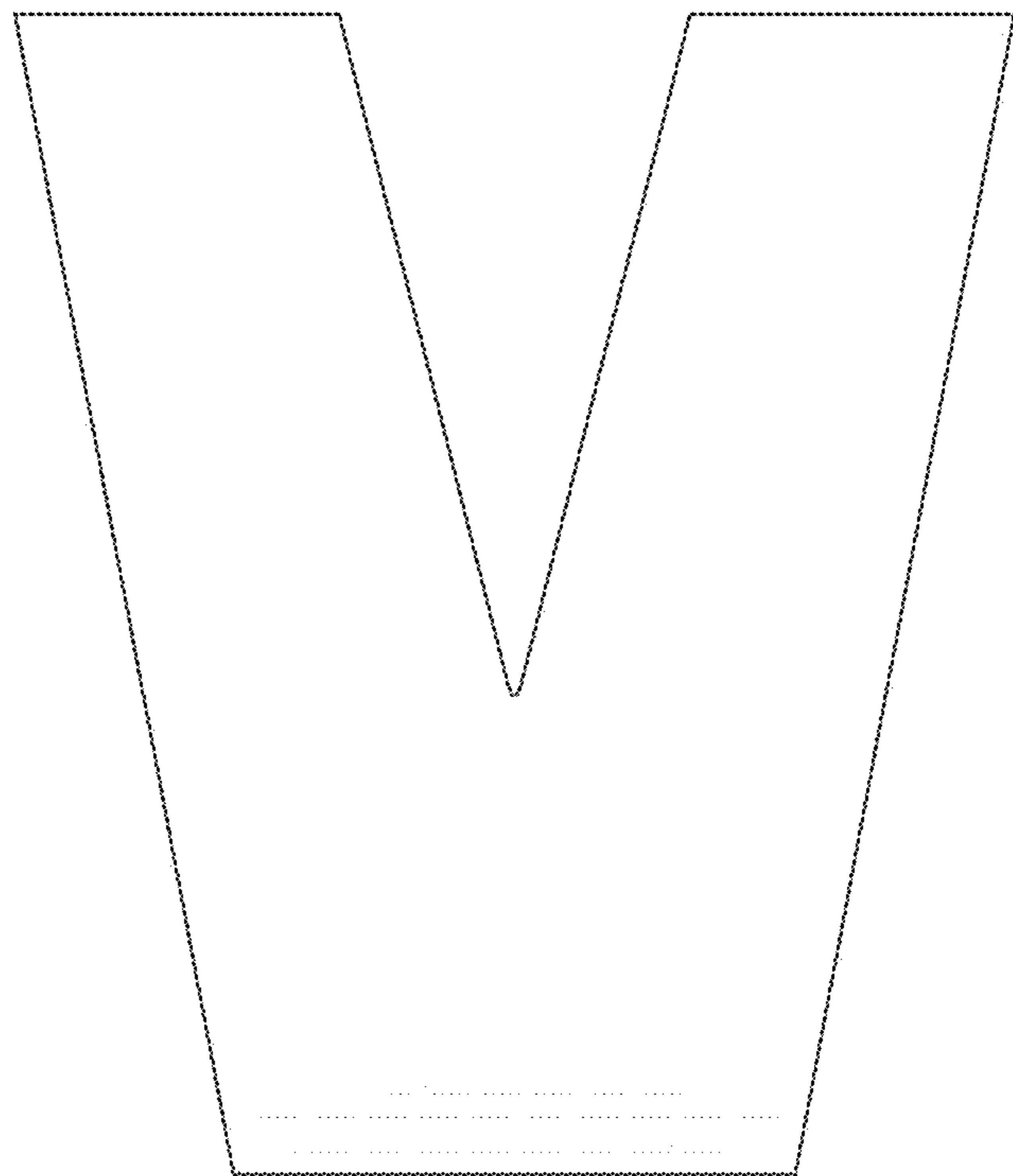


FIG. 154

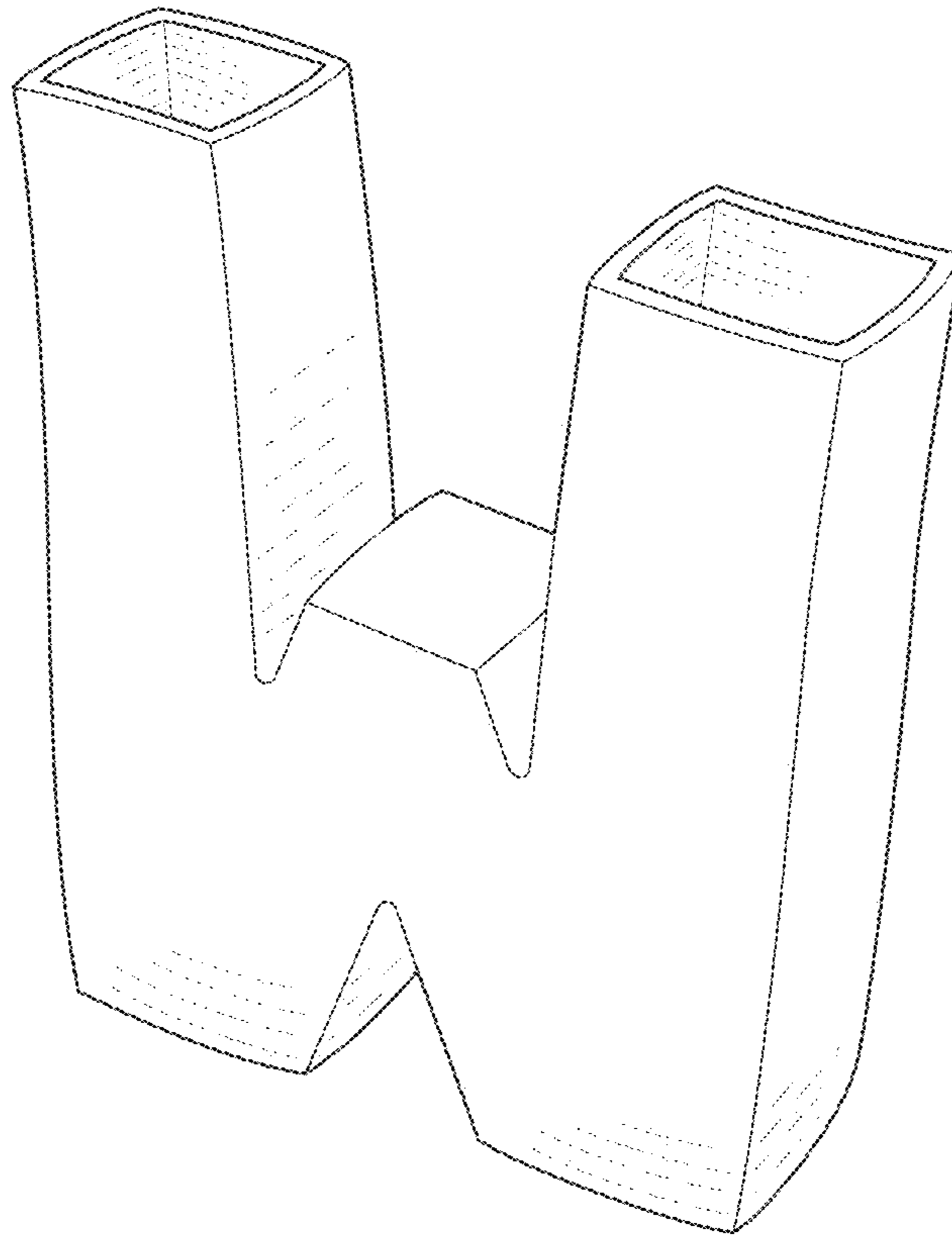


FIG. 155

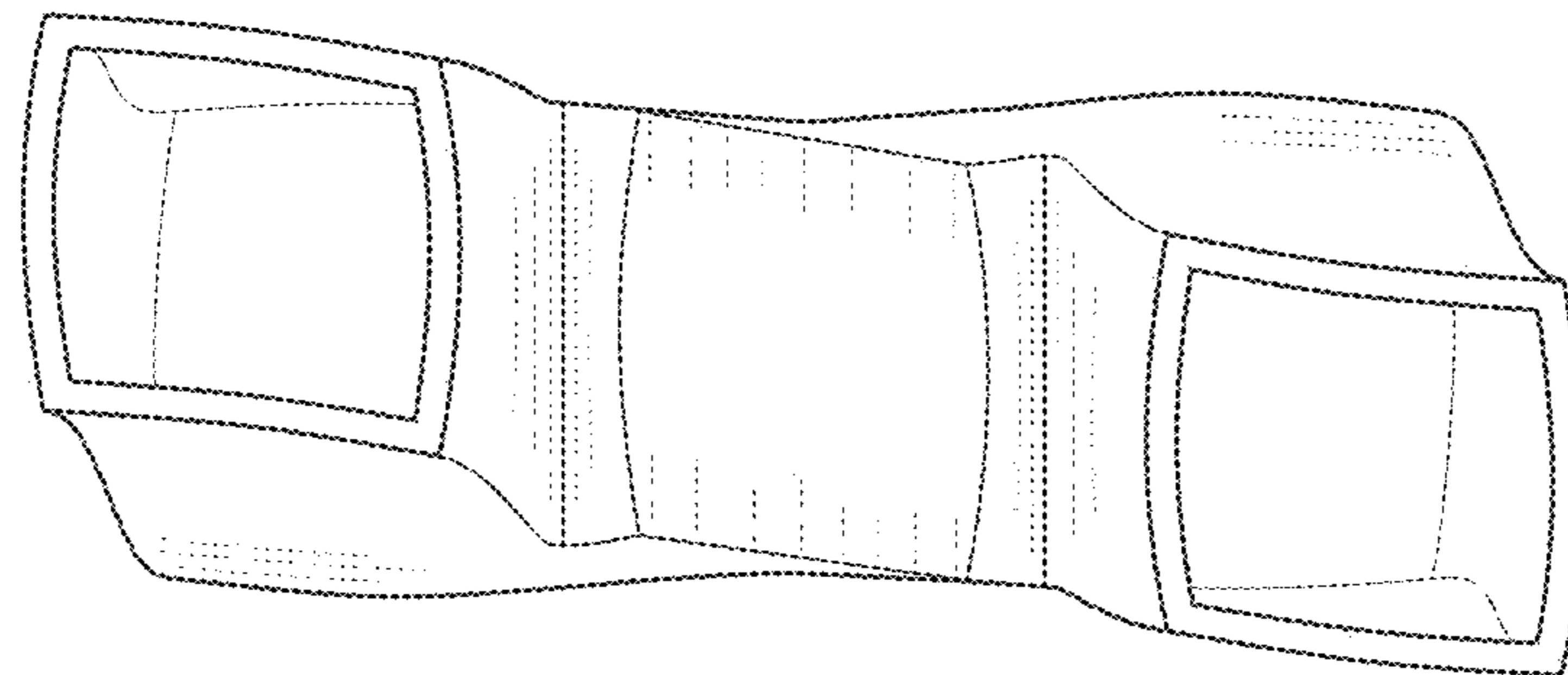


FIG. 156

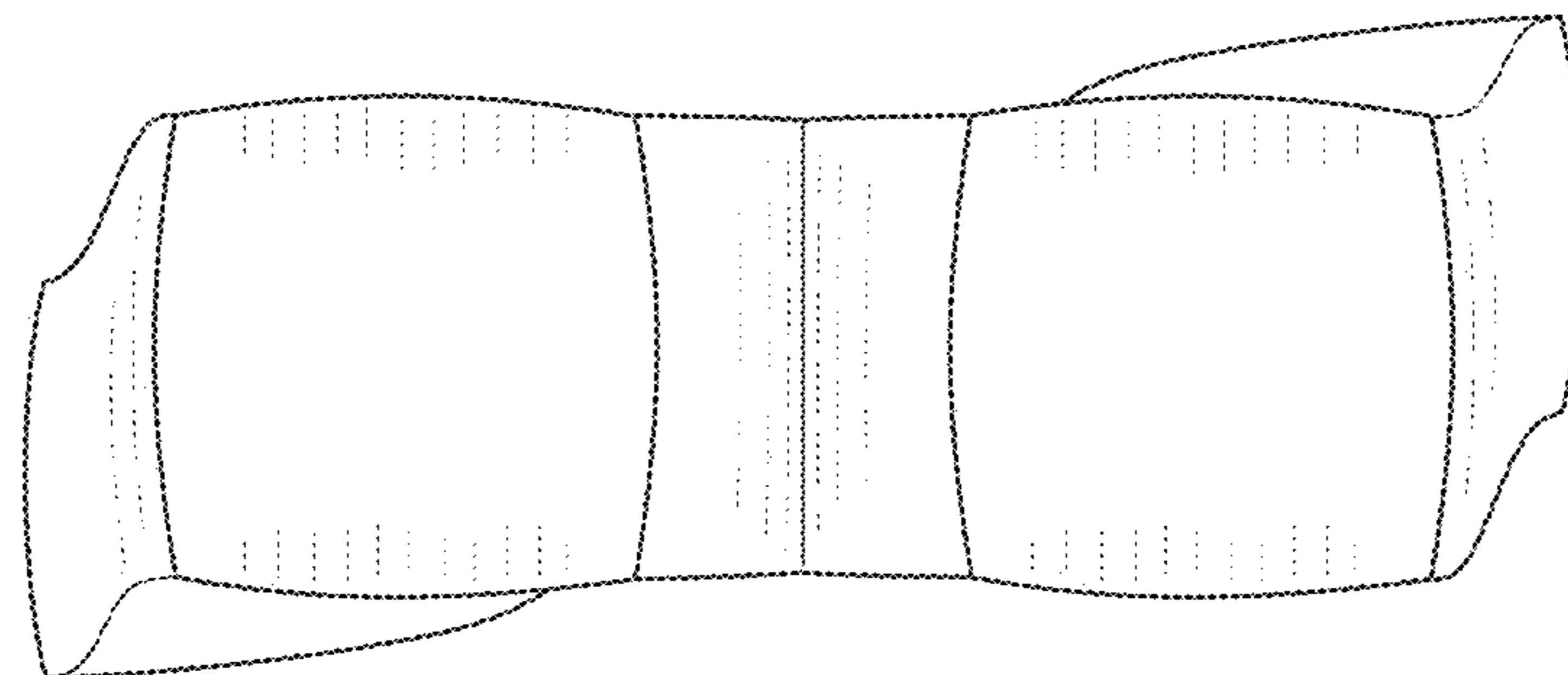


FIG. 157



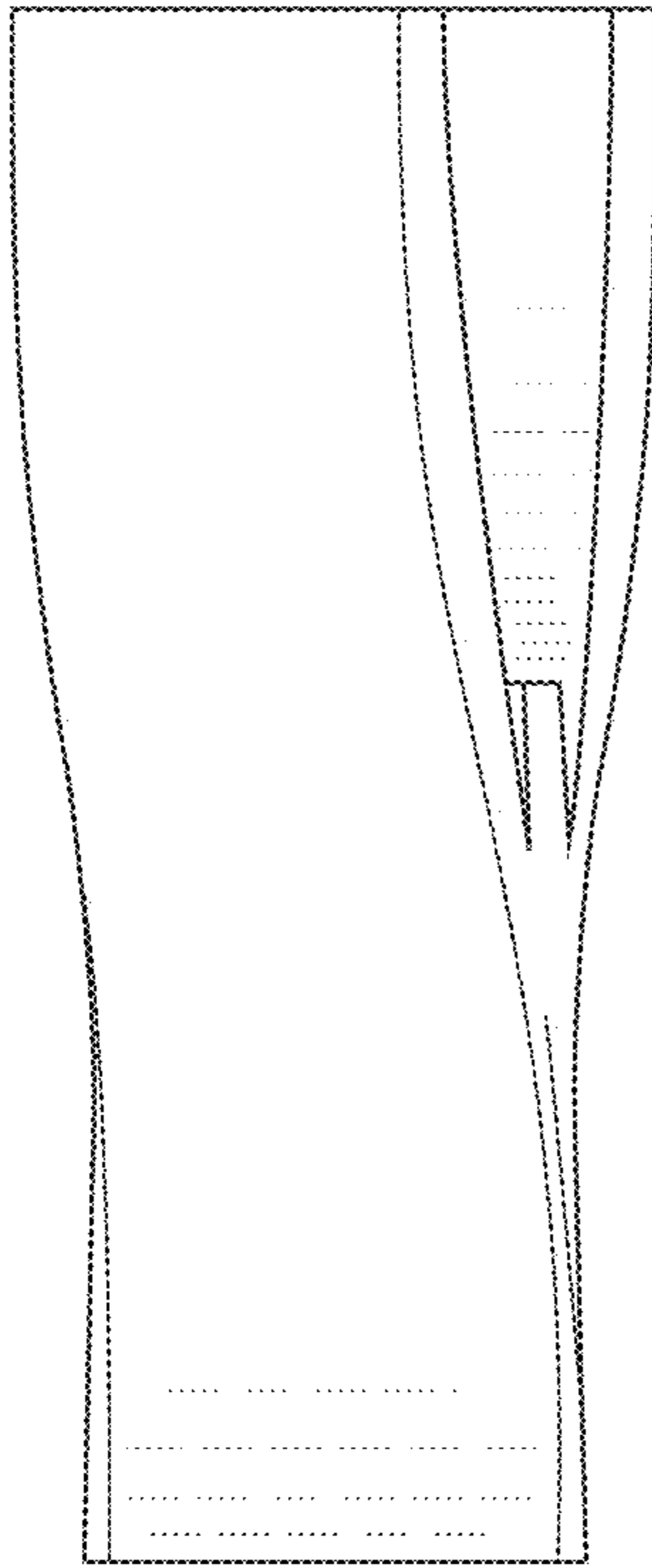


FIG. 158

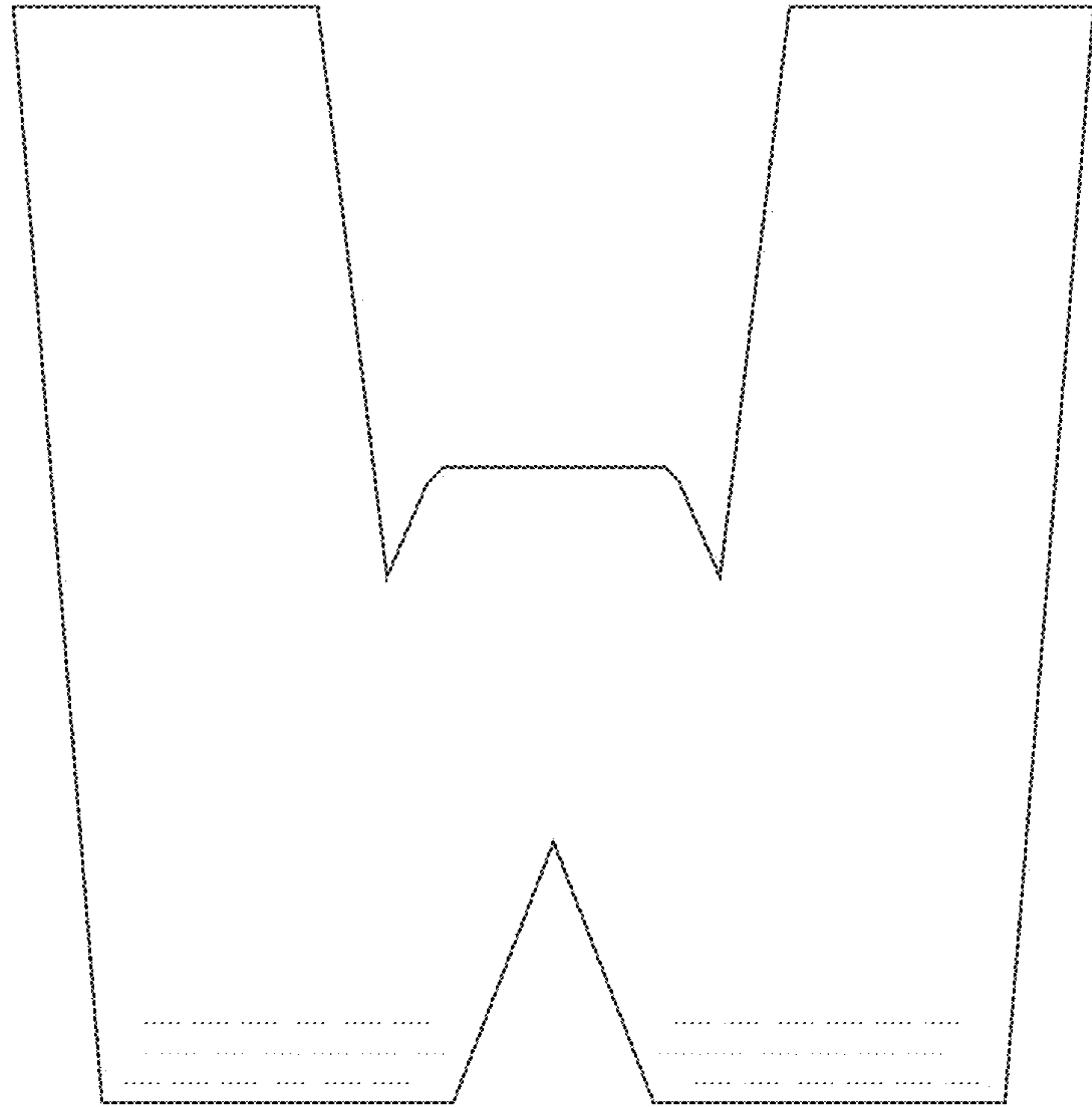


FIG. 159

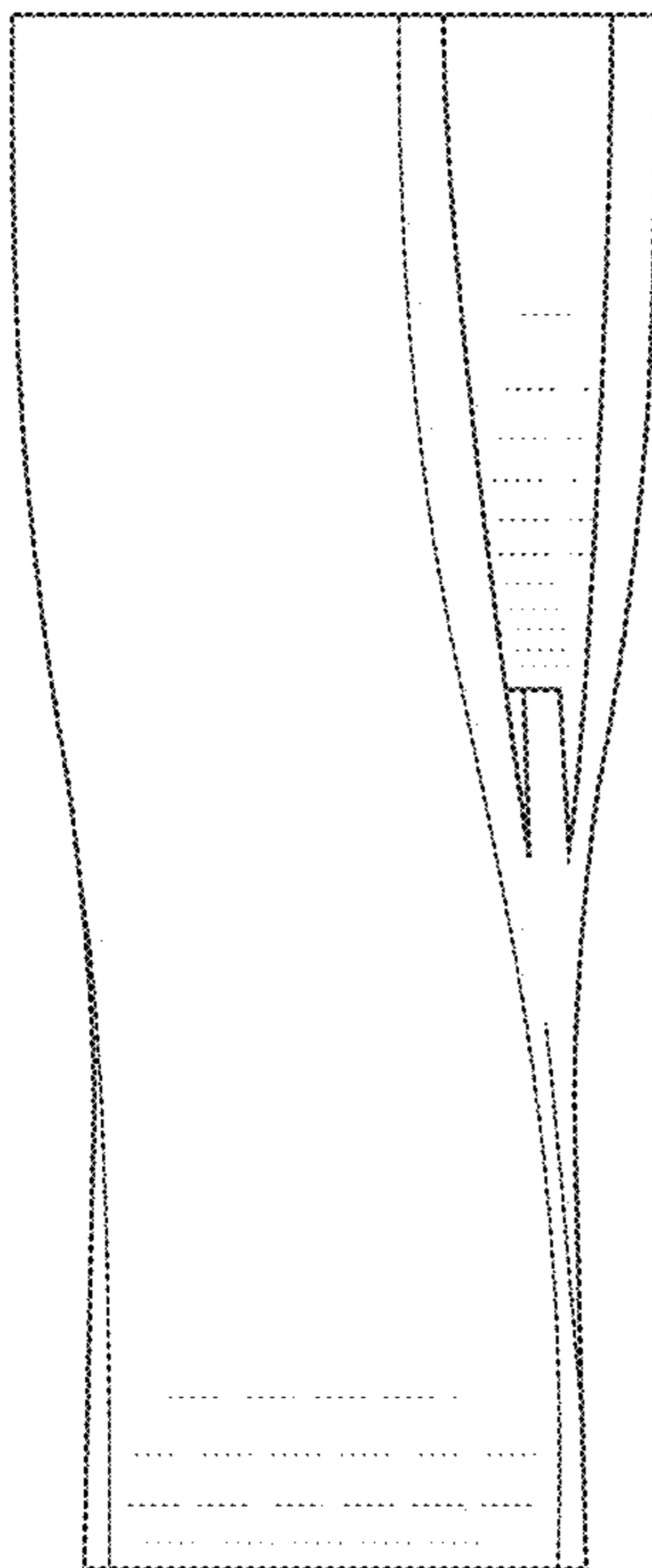


FIG. 160

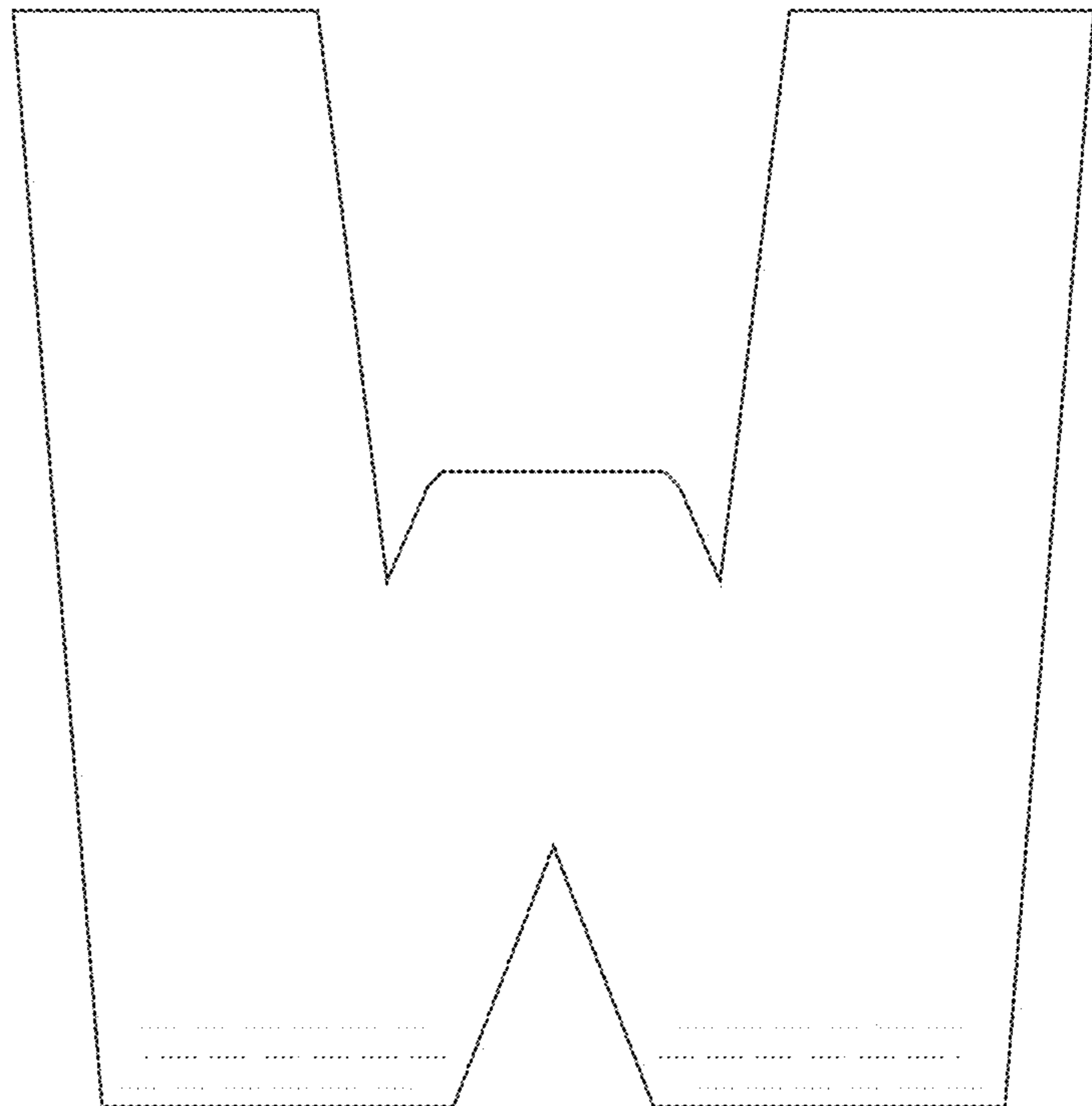


FIG. 161

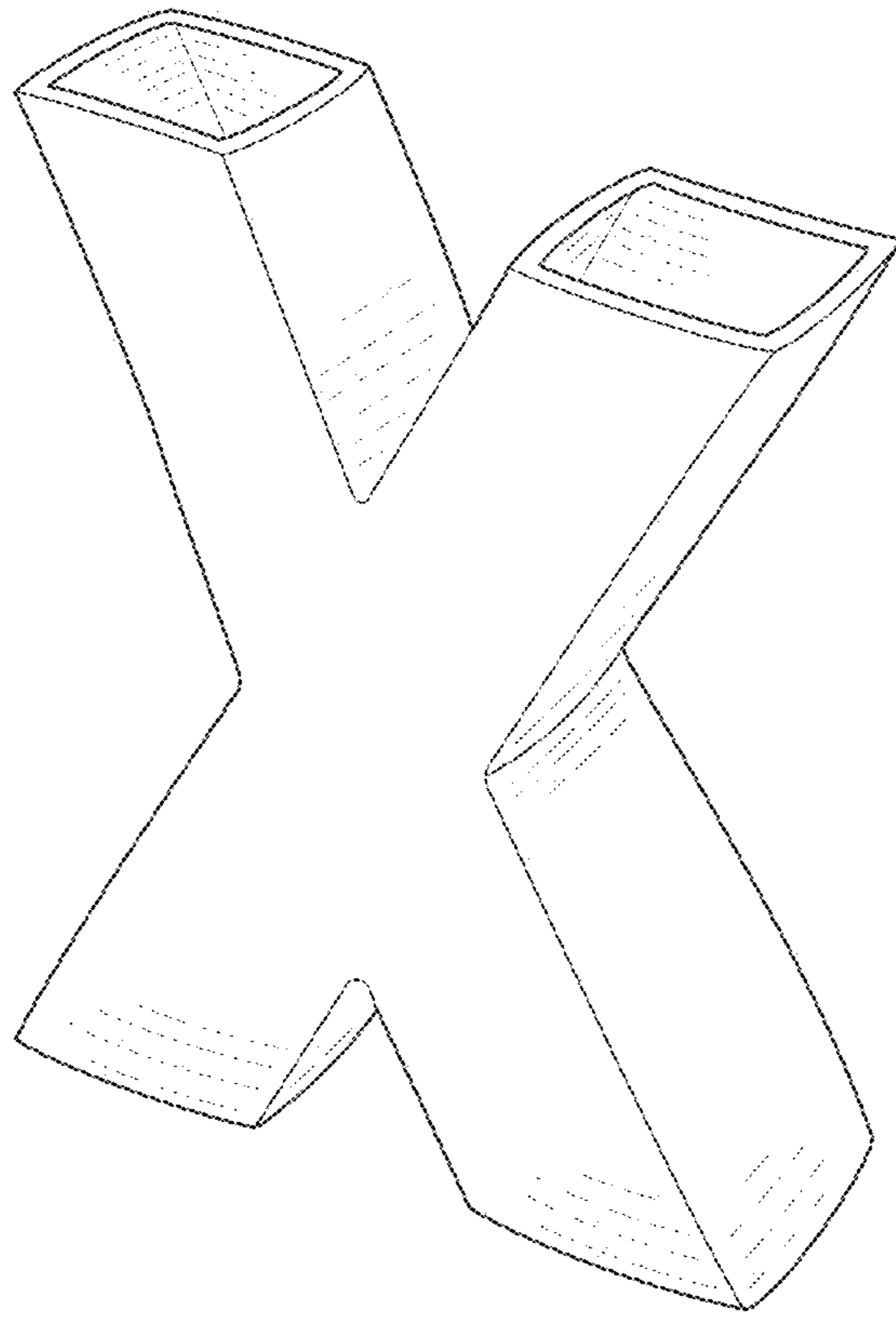


FIG. 162

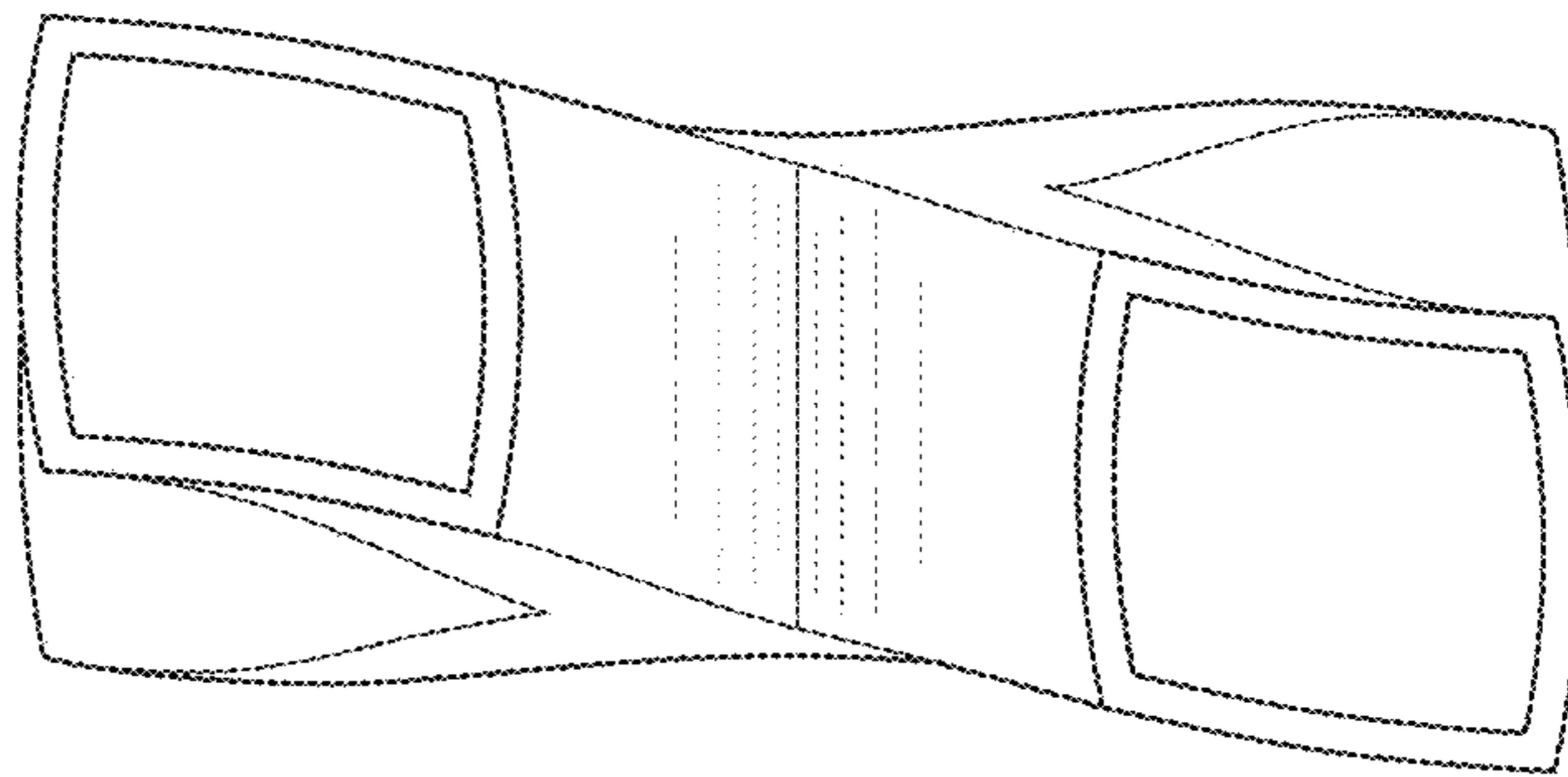


FIG. 163

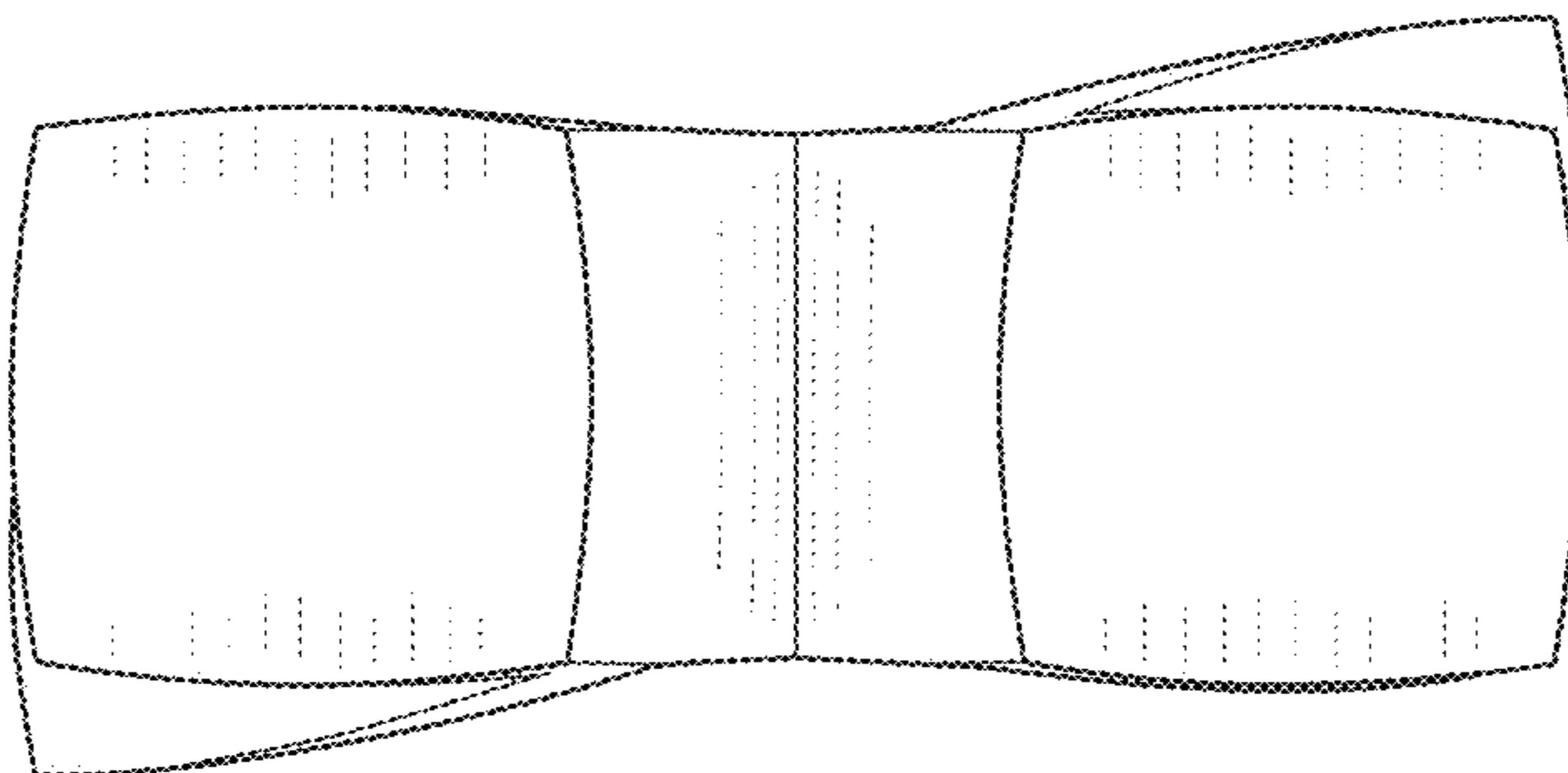


FIG. 164

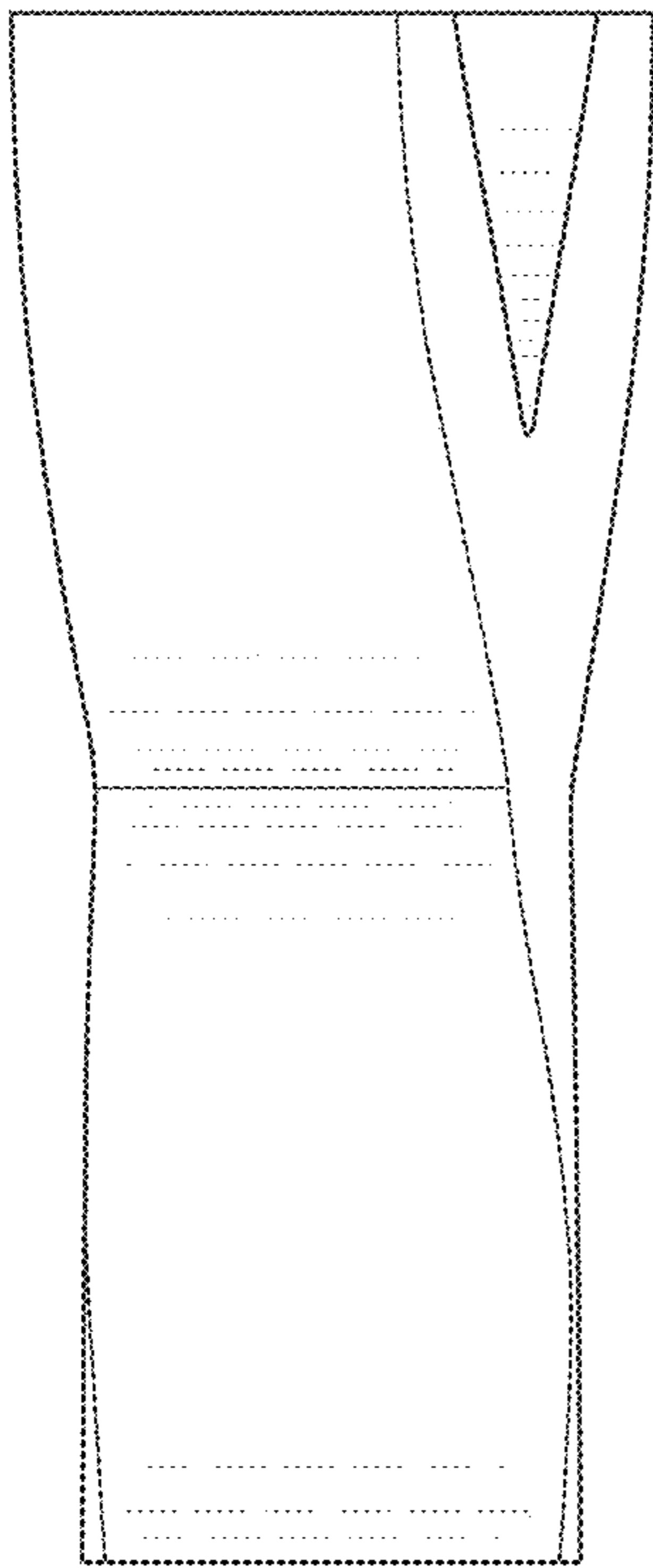


FIG. 165

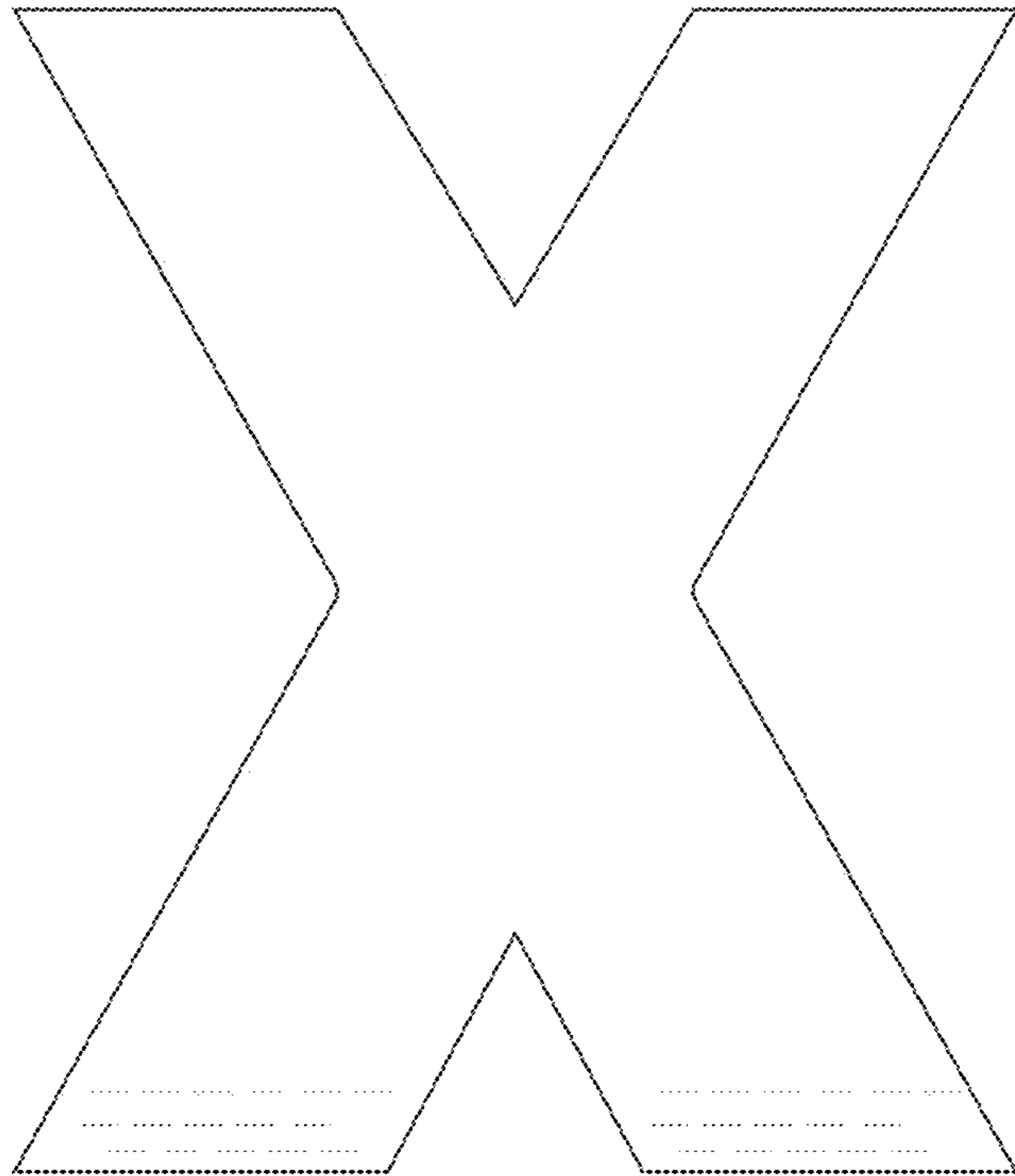


FIG. 166

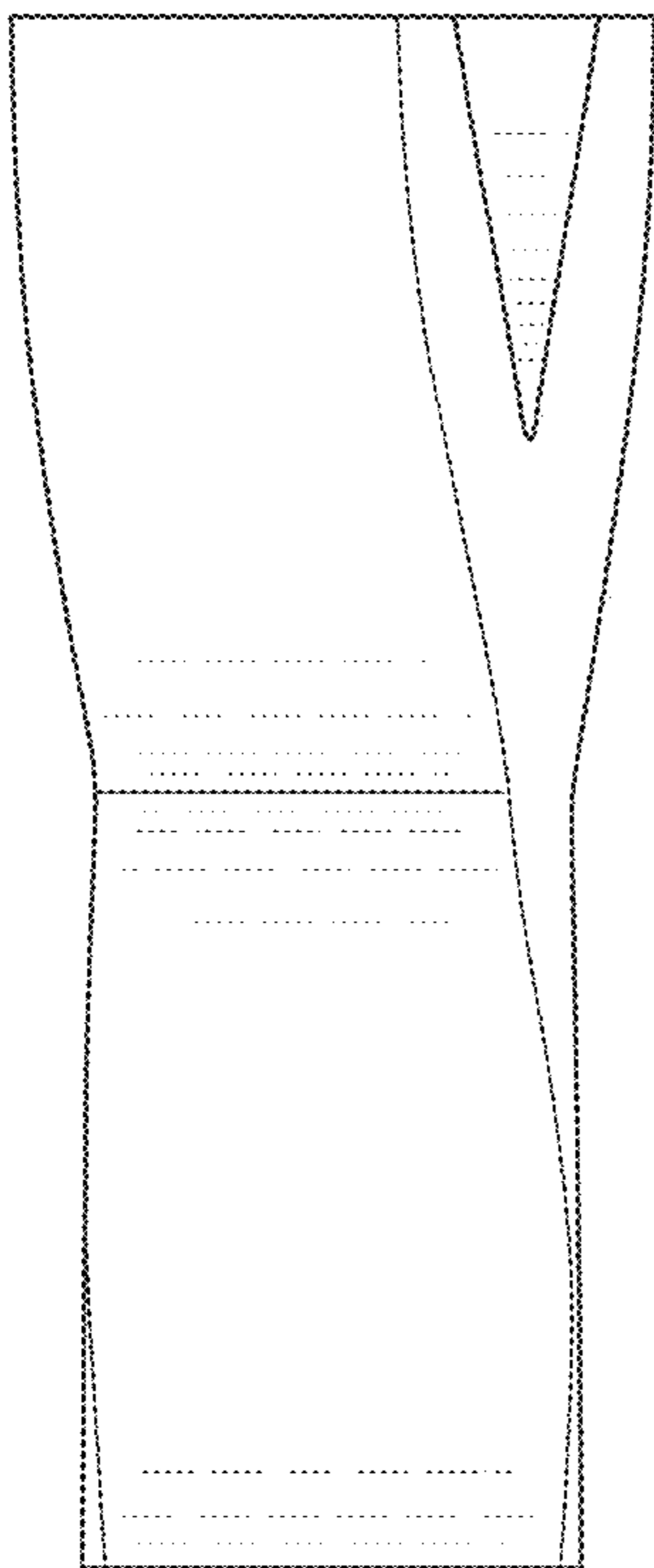


FIG. 167

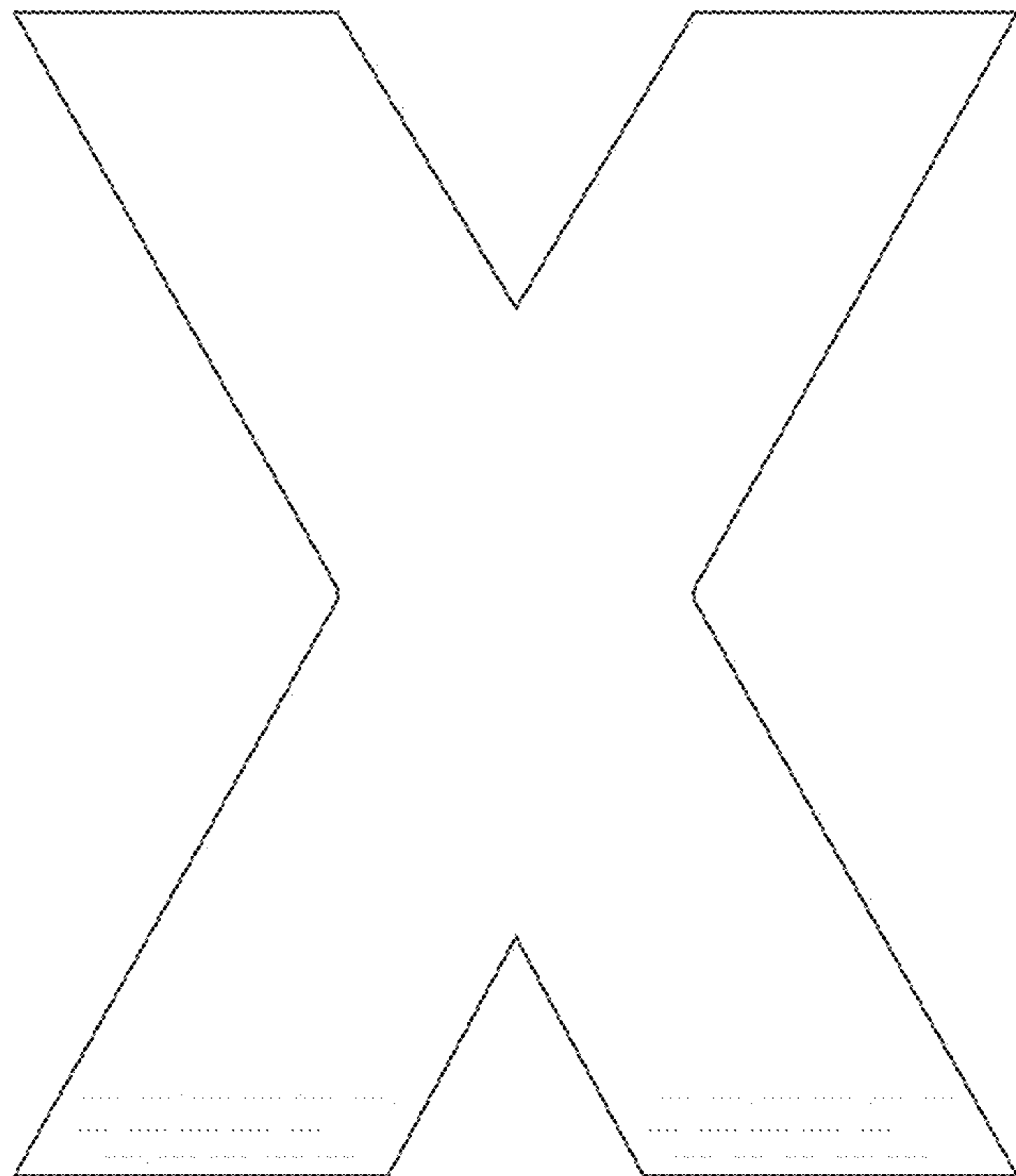


FIG. 168

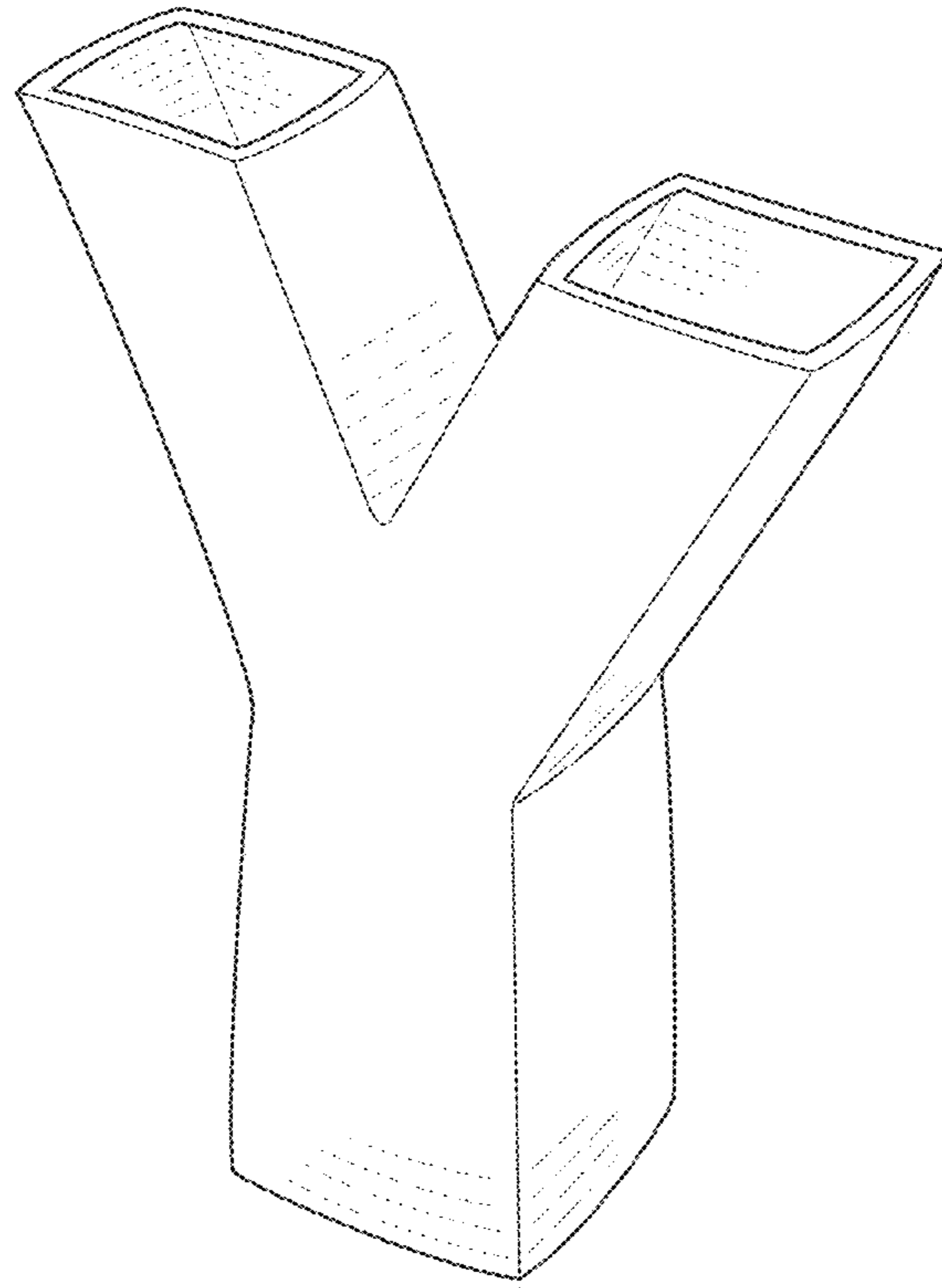


FIG. 169

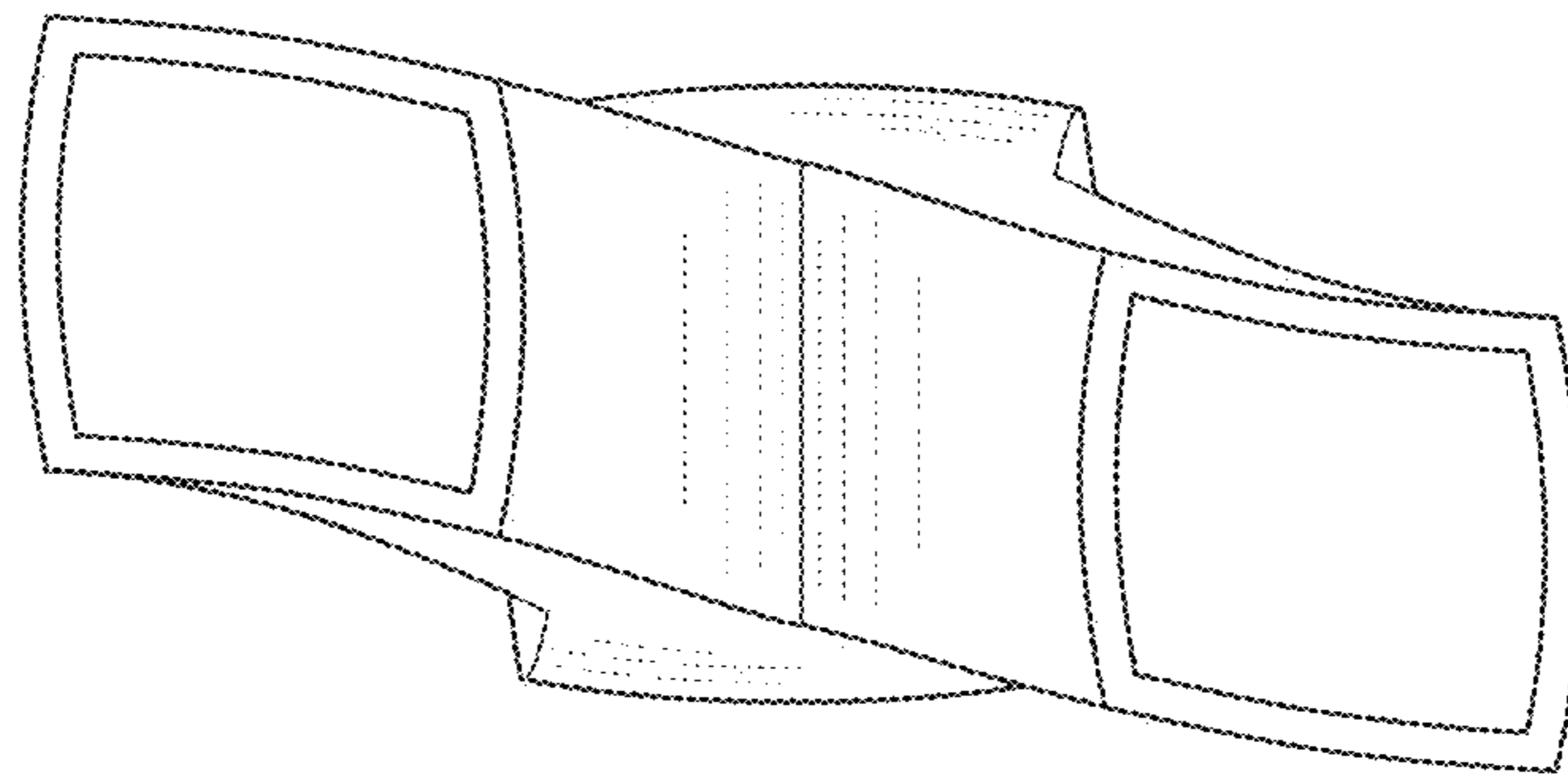


FIG. 170

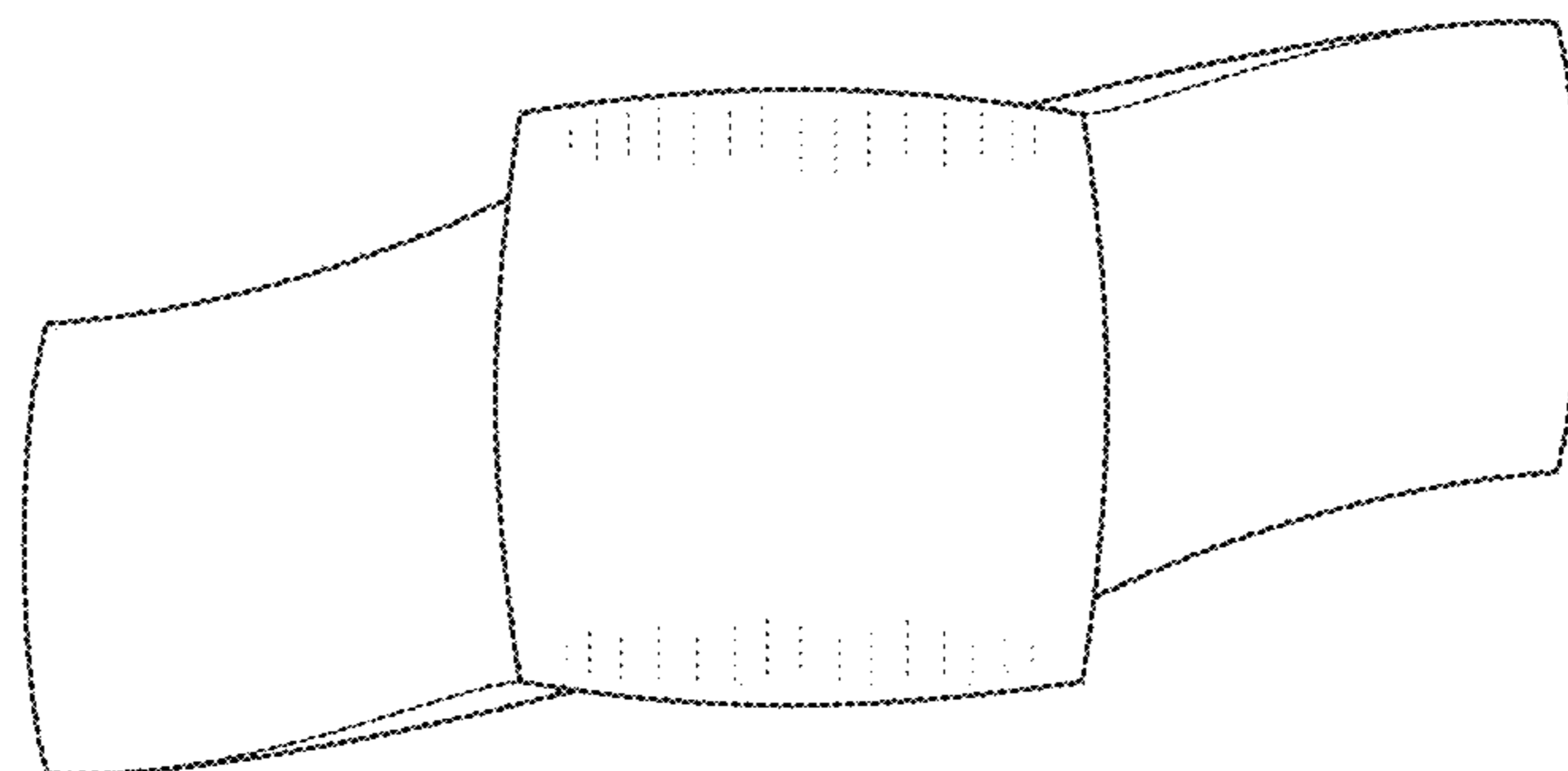


FIG. 171

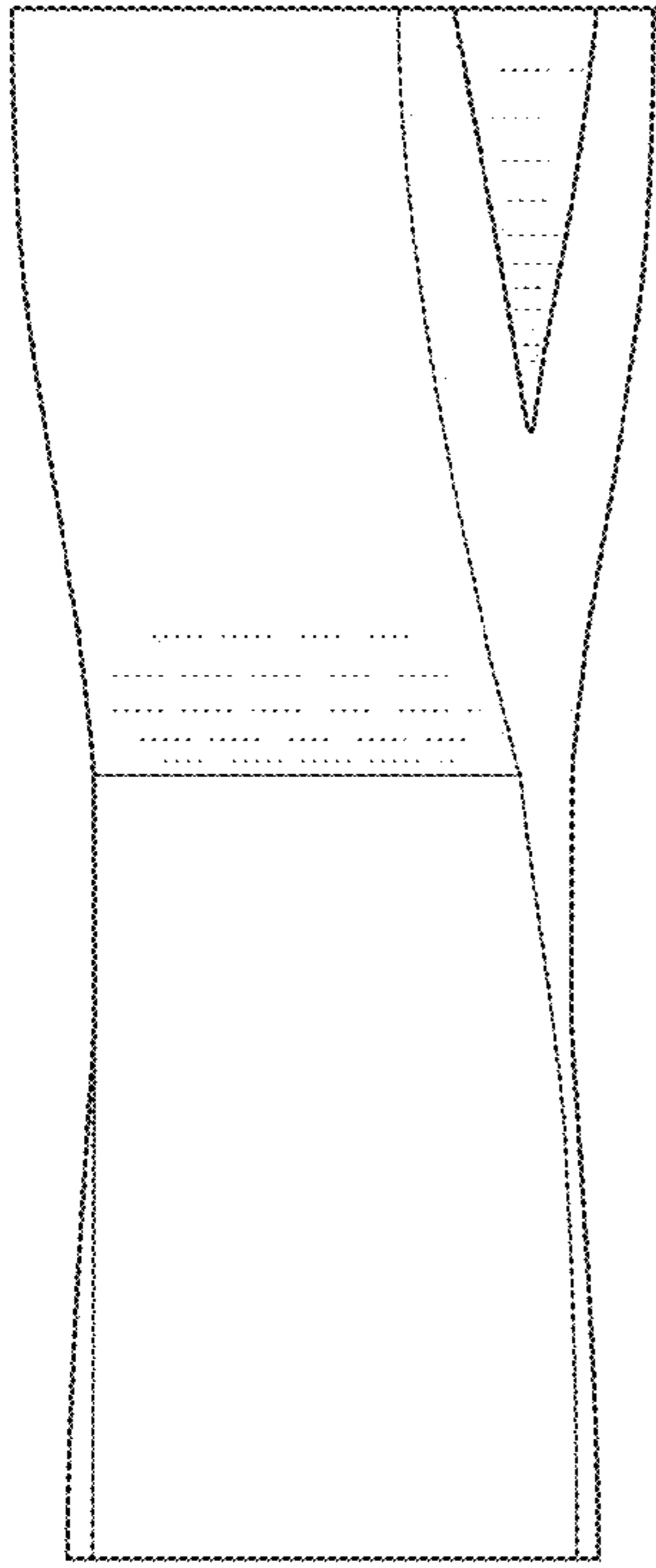


FIG. 172

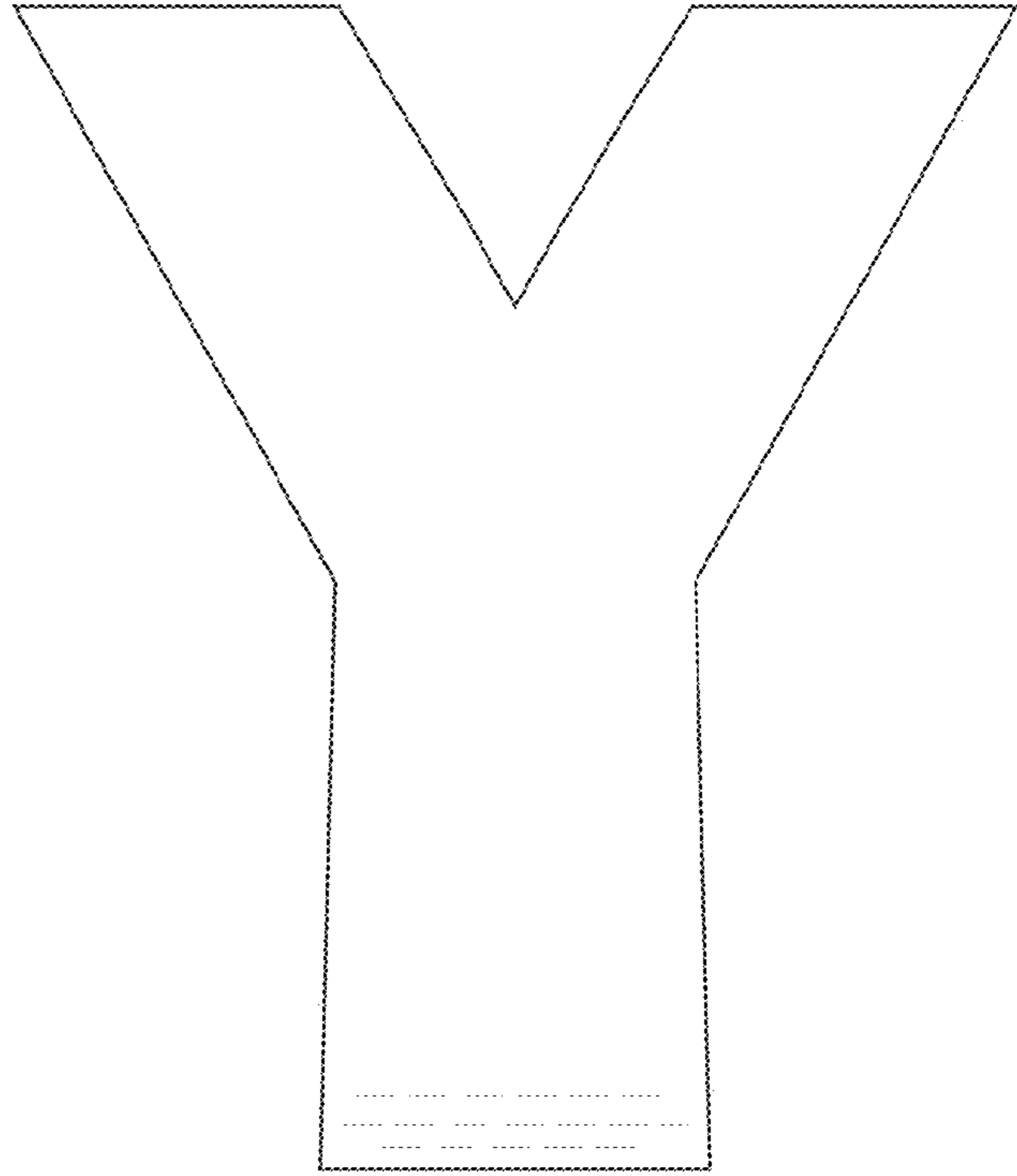


FIG. 173

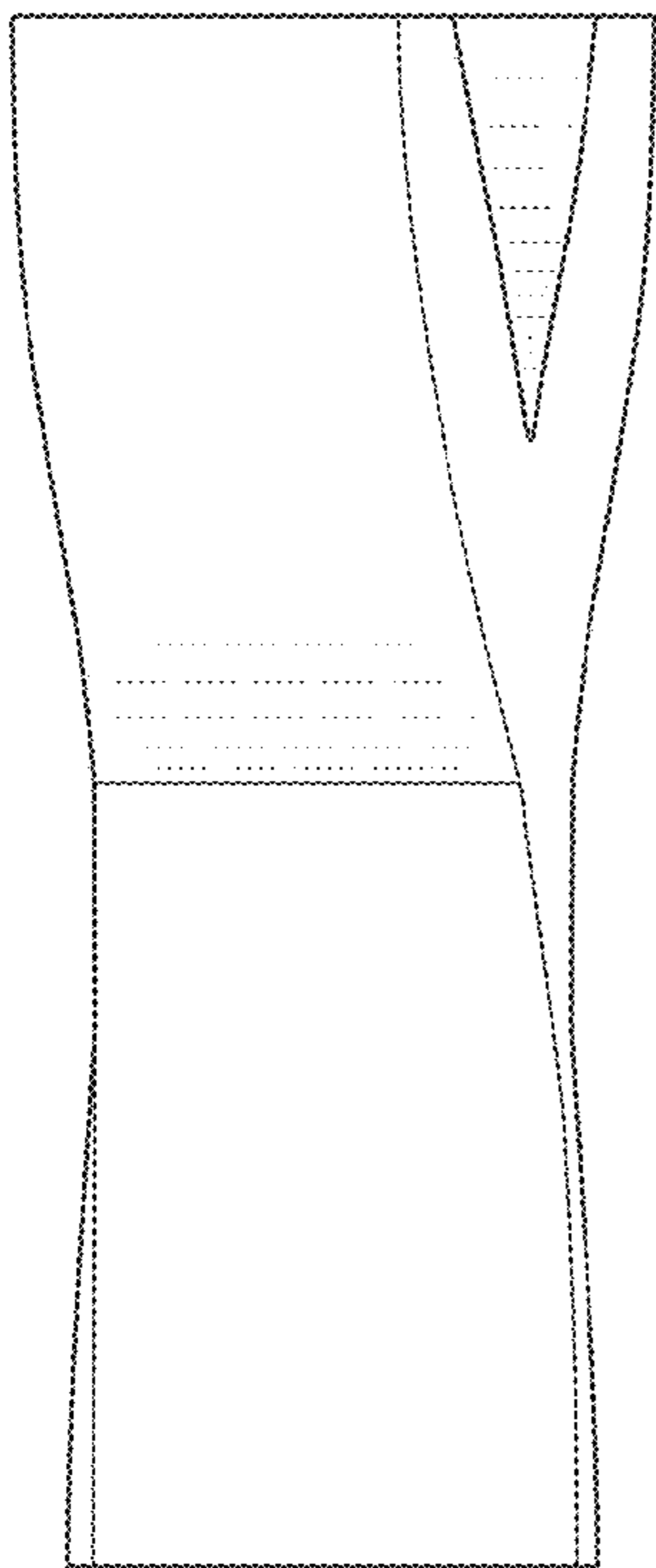


FIG. 174

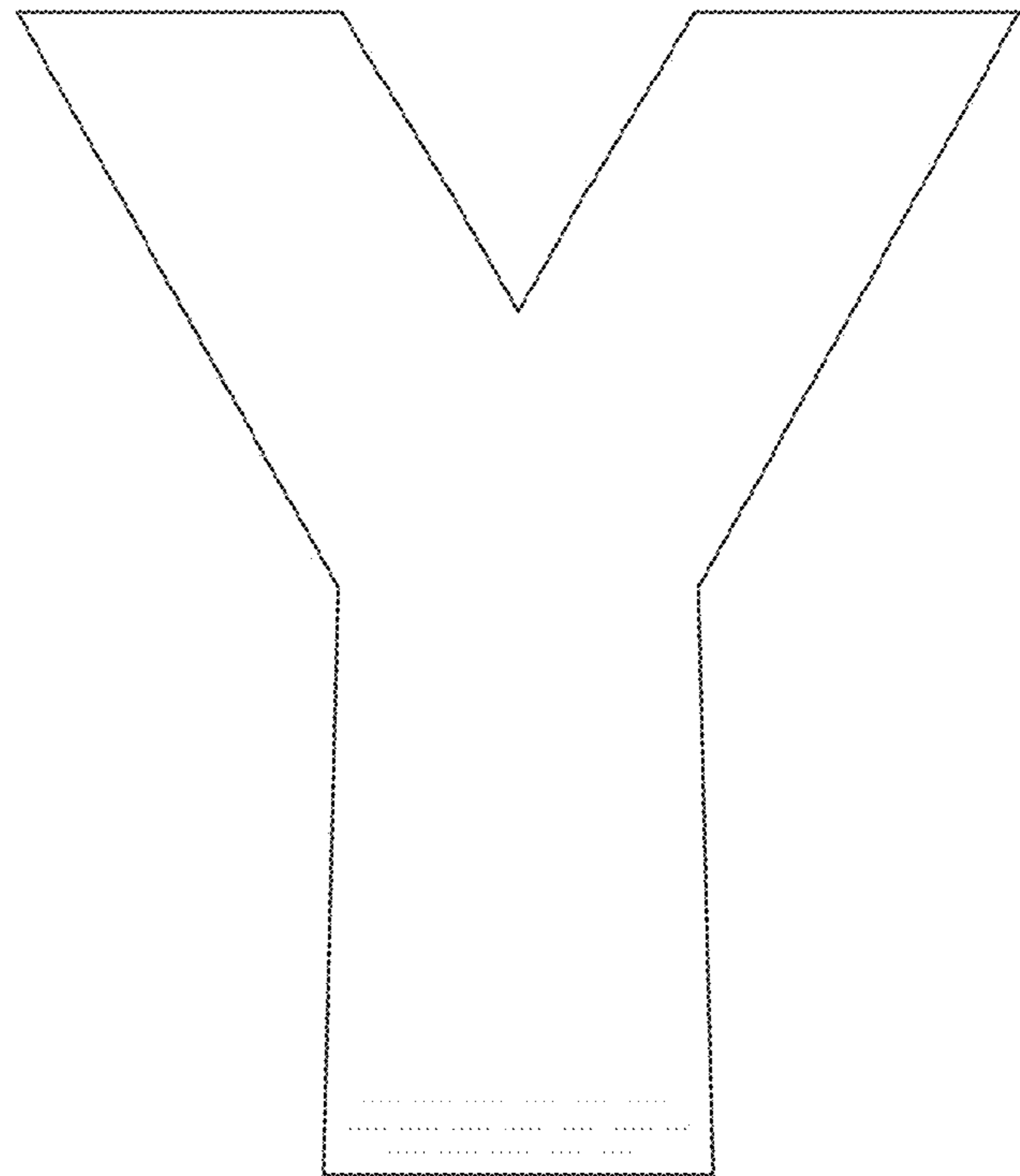


FIG. 175

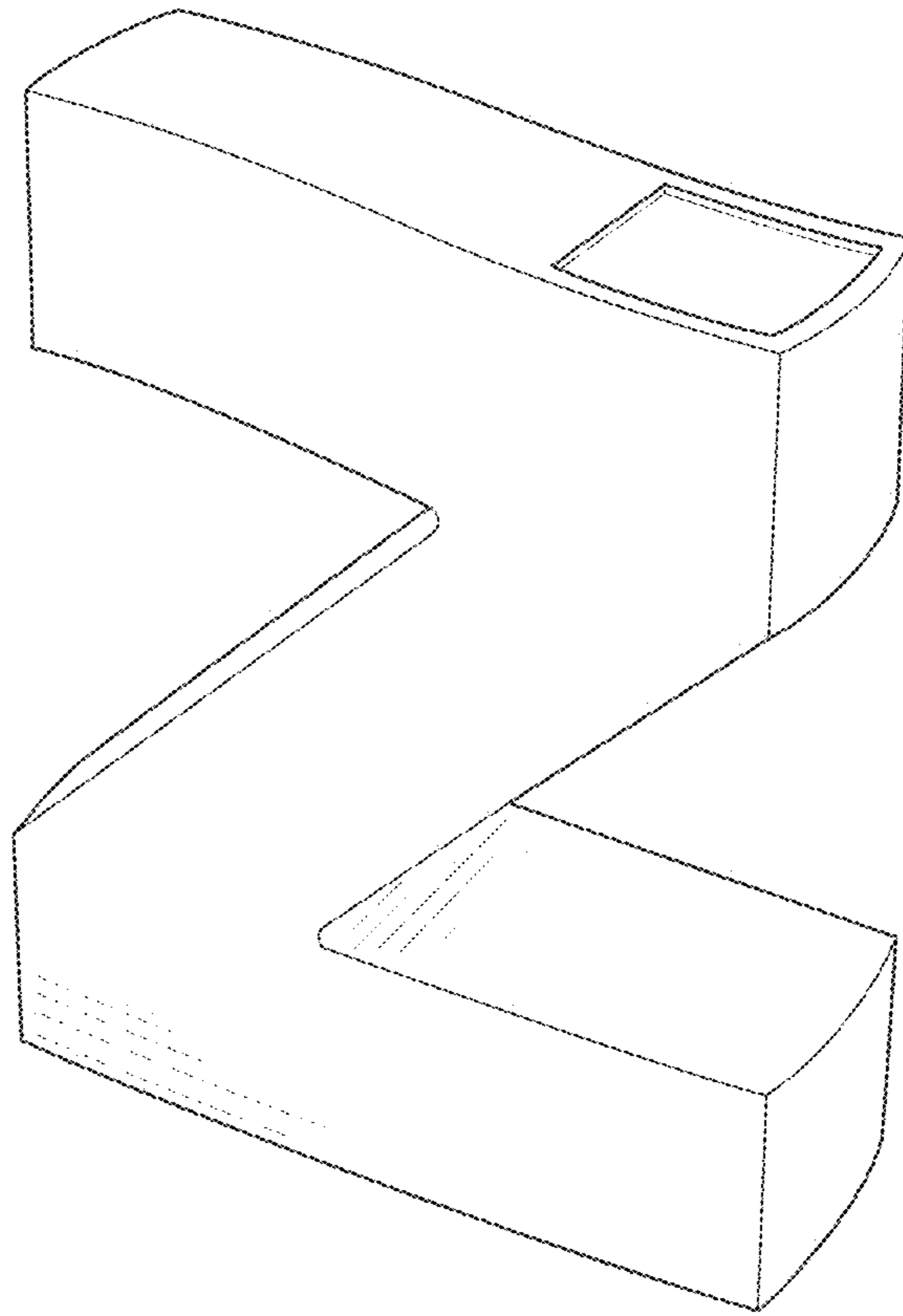


FIG. 176

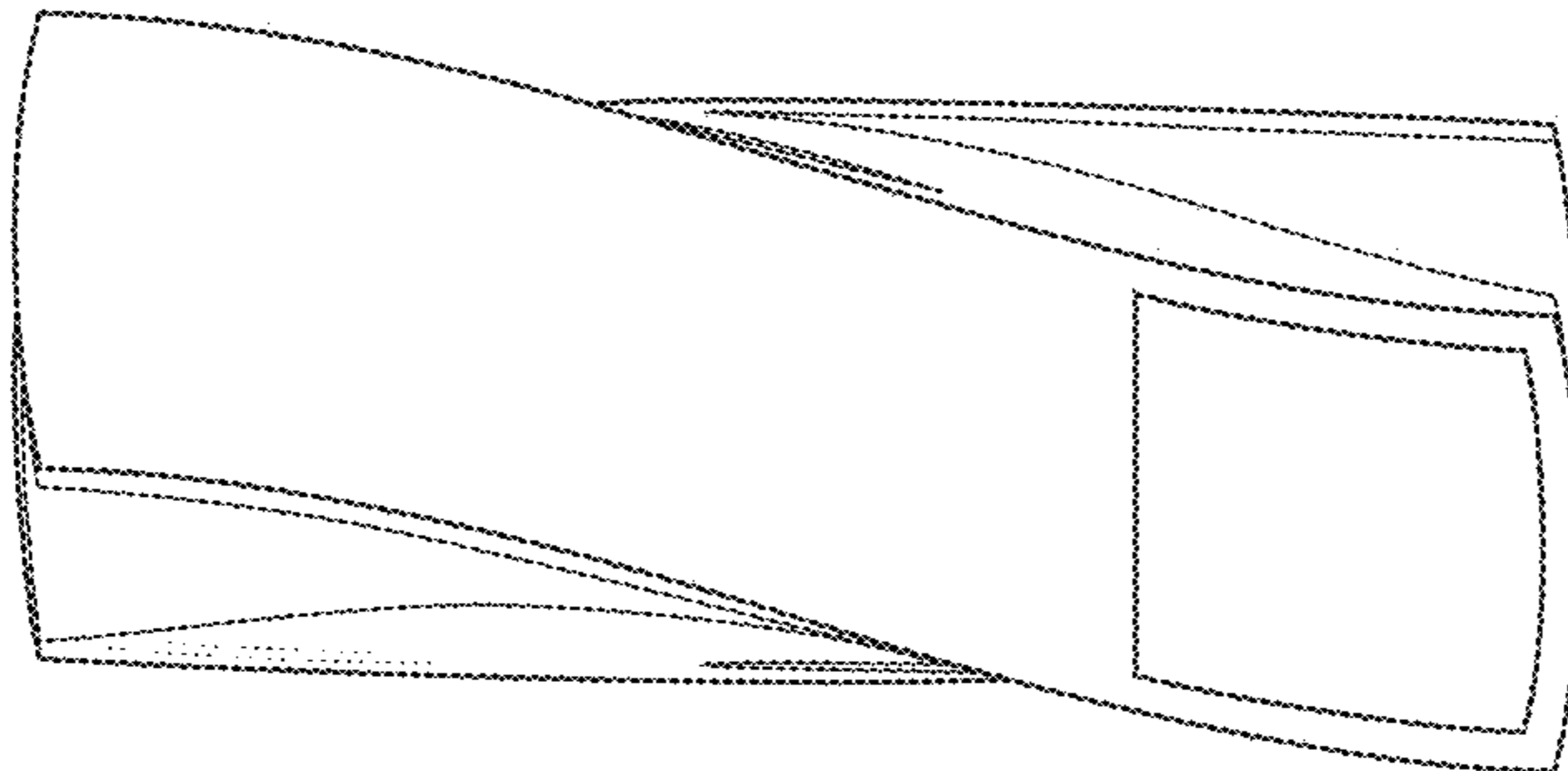


FIG. 177

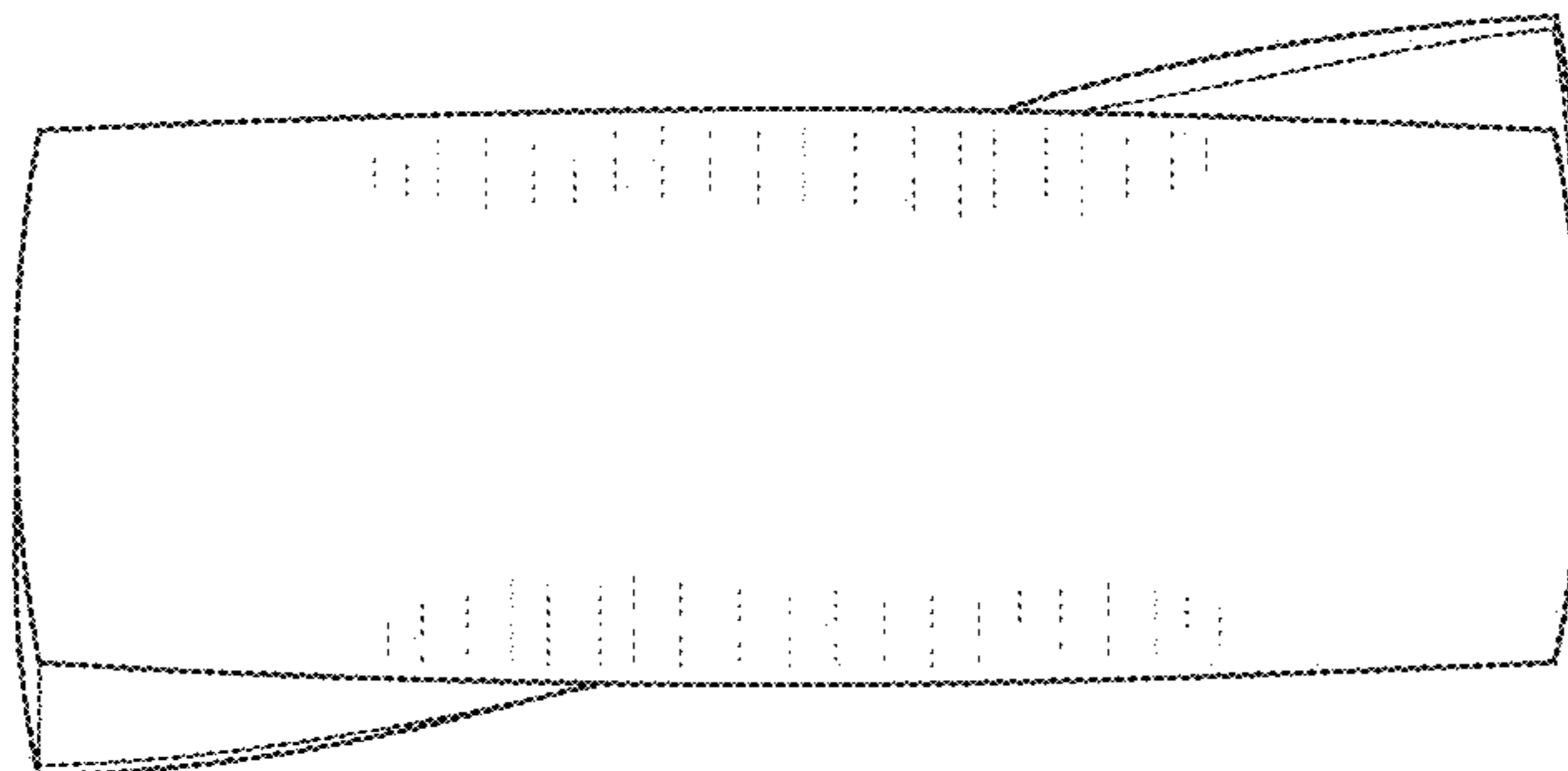


FIG. 178

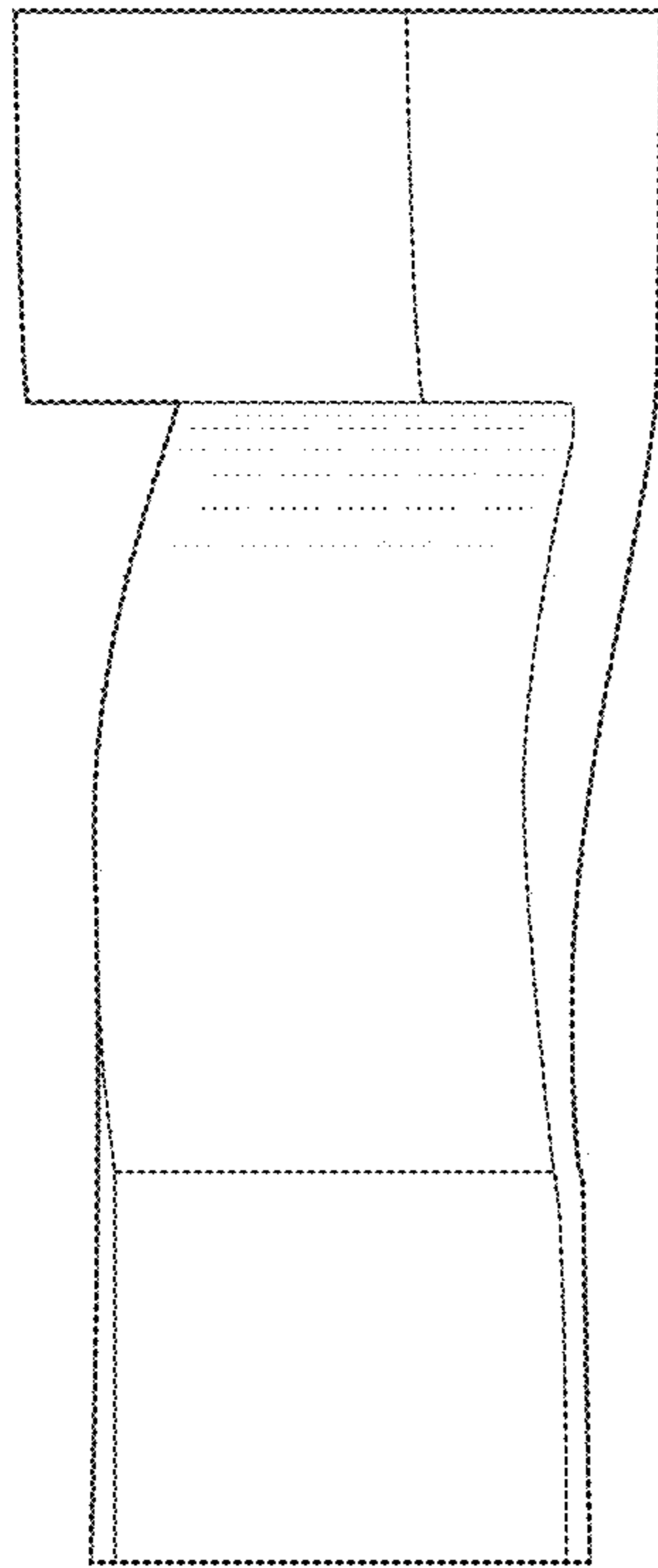


FIG. 179

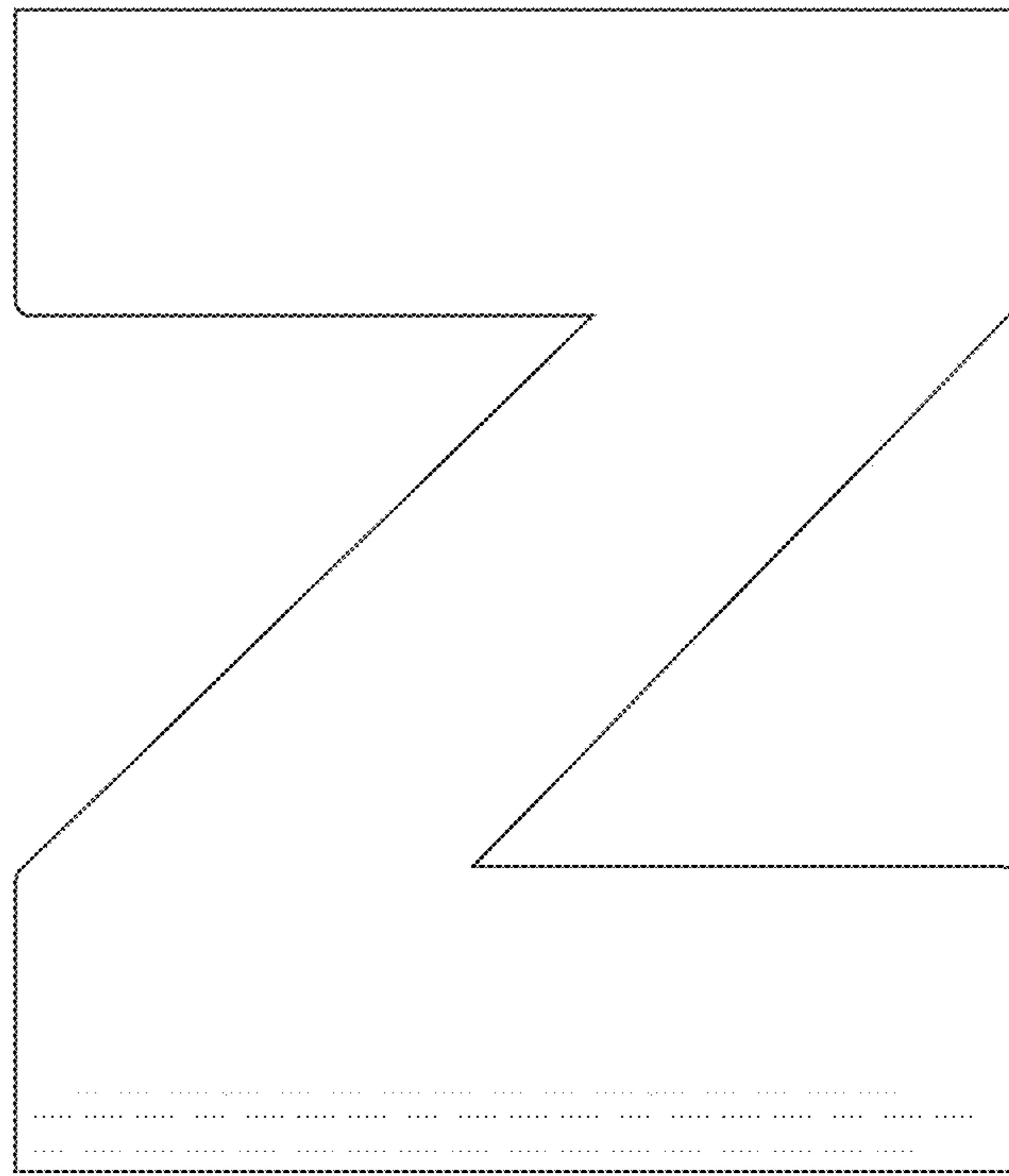


FIG. 180

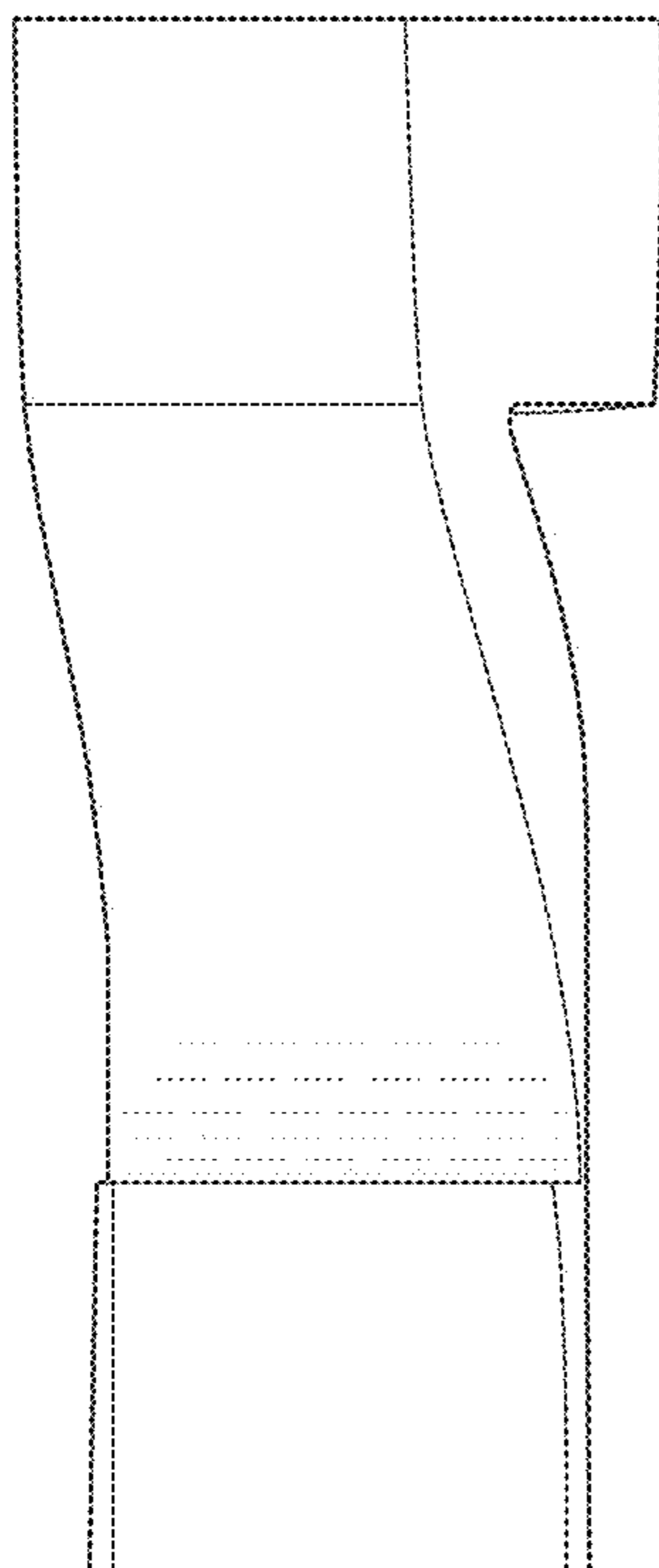


FIG. 181

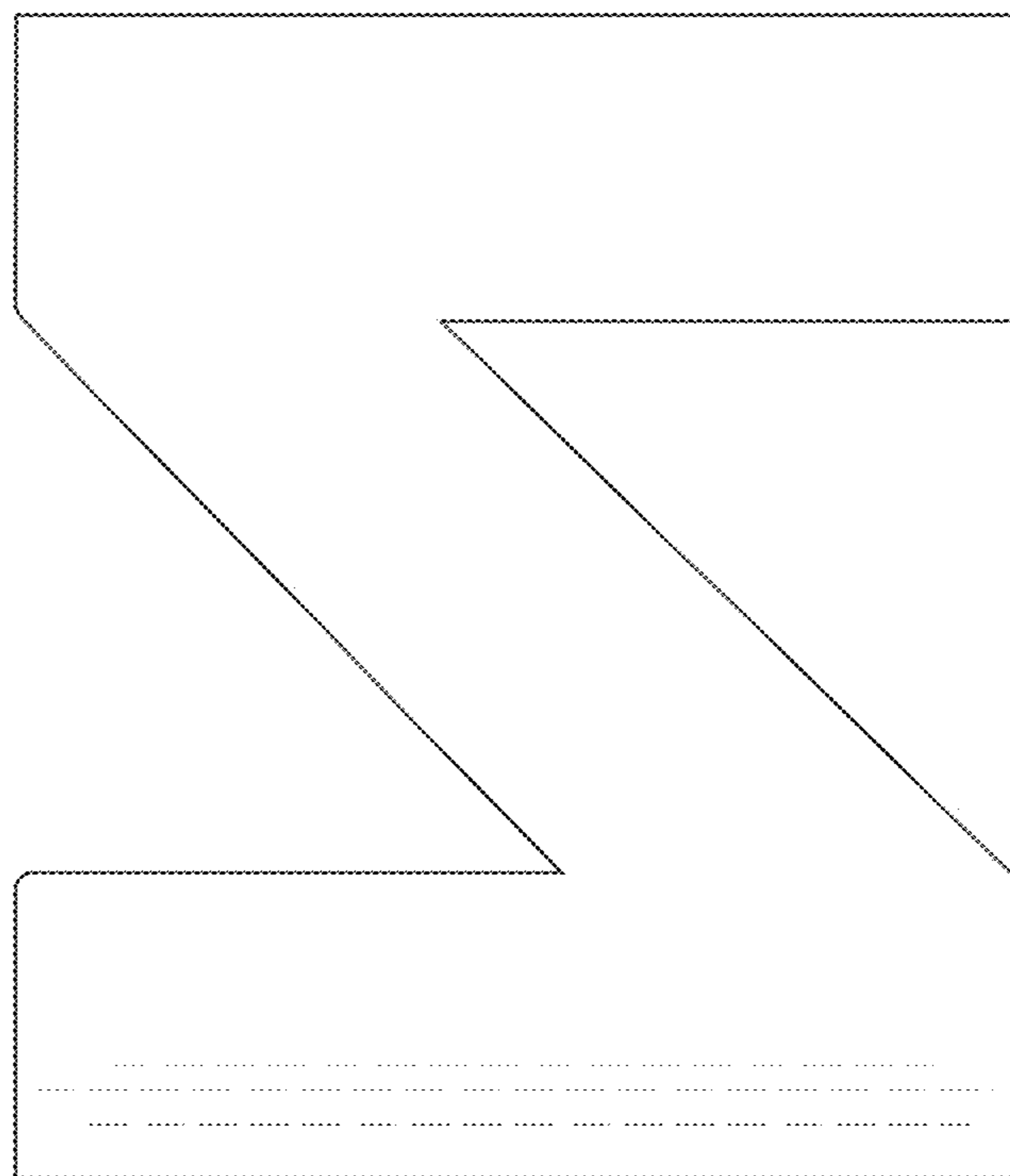


FIG. 182

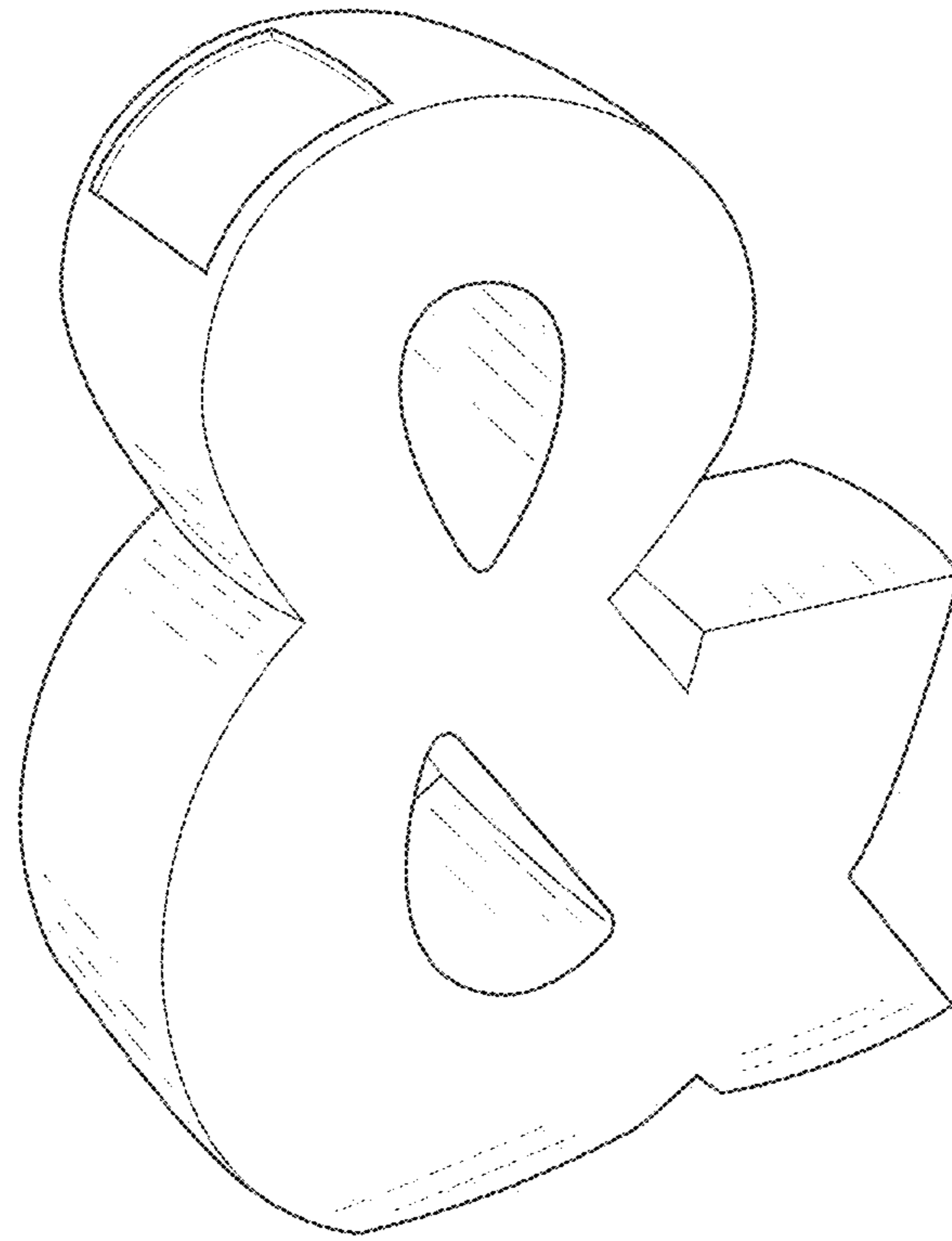


FIG. 183

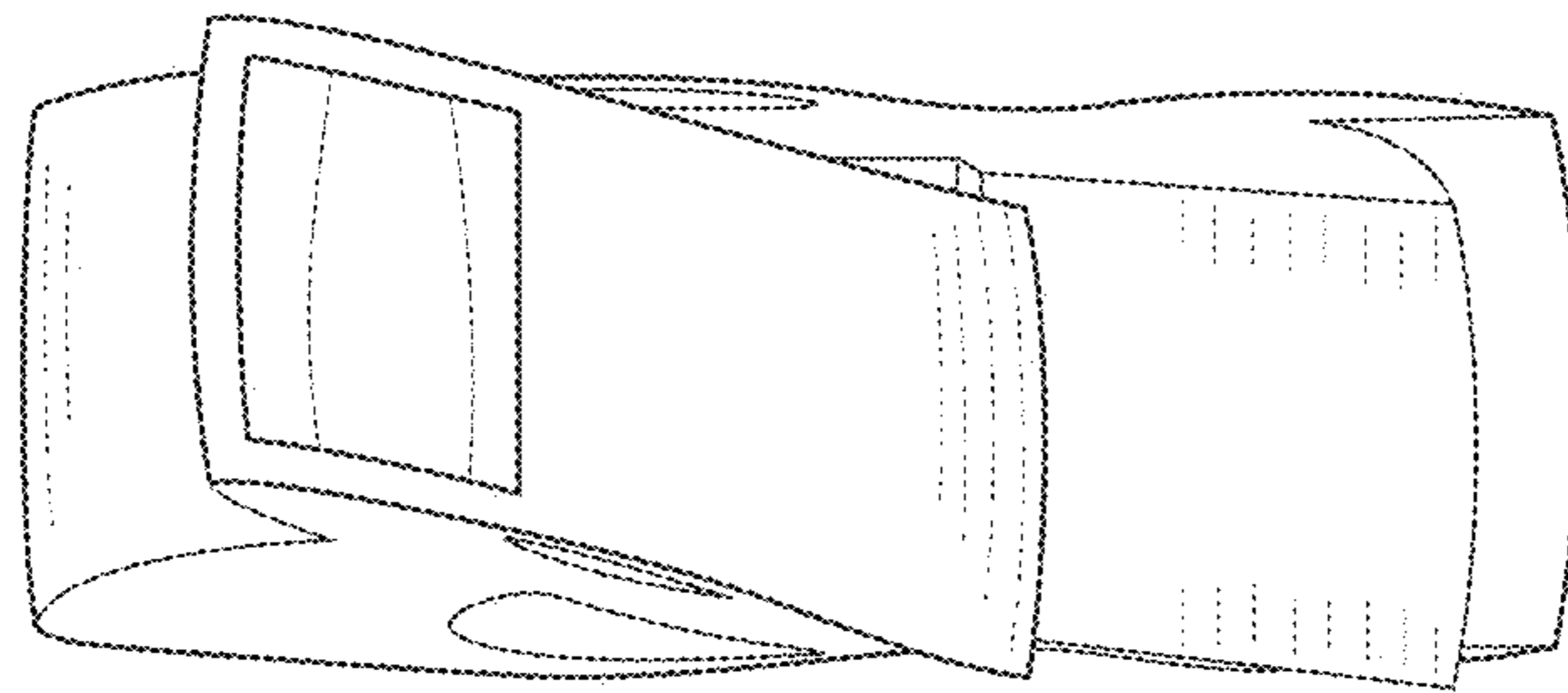


FIG. 184

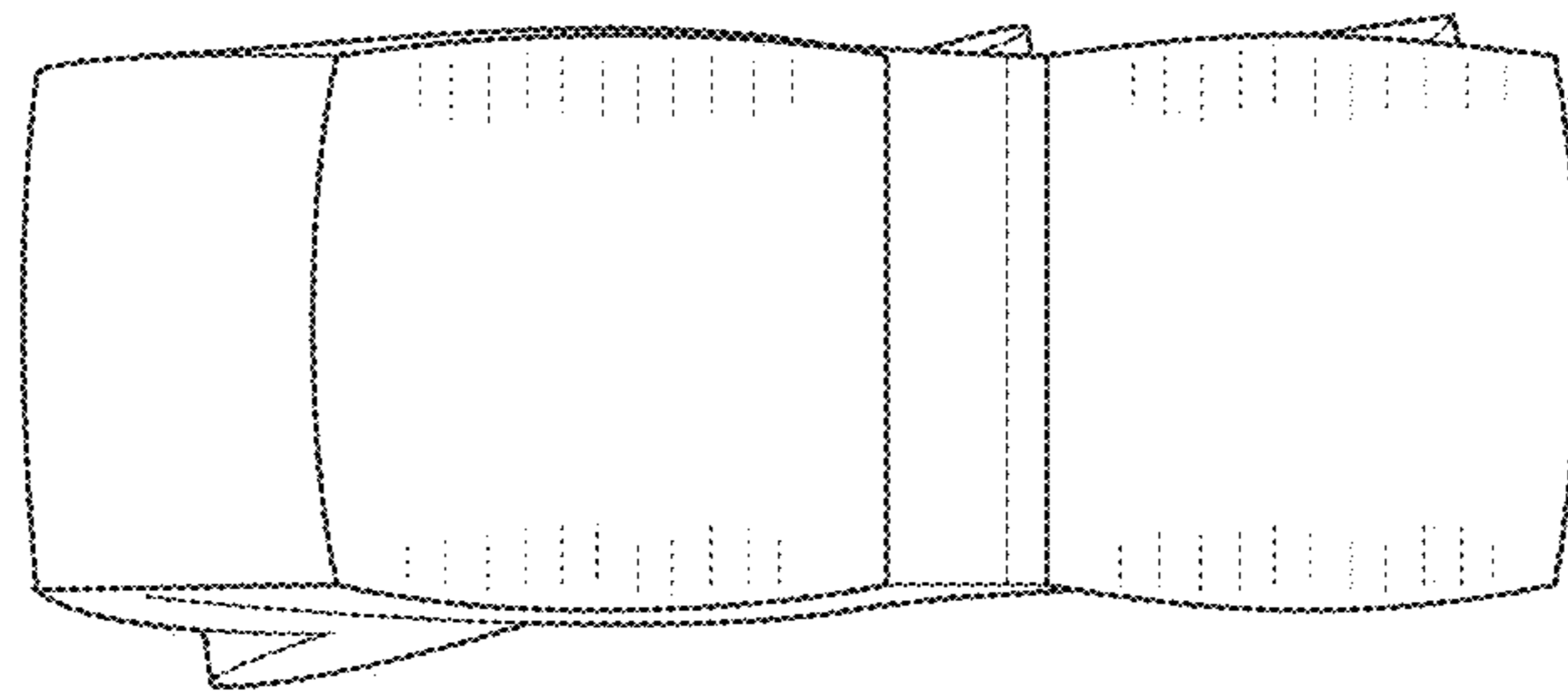


FIG. 185



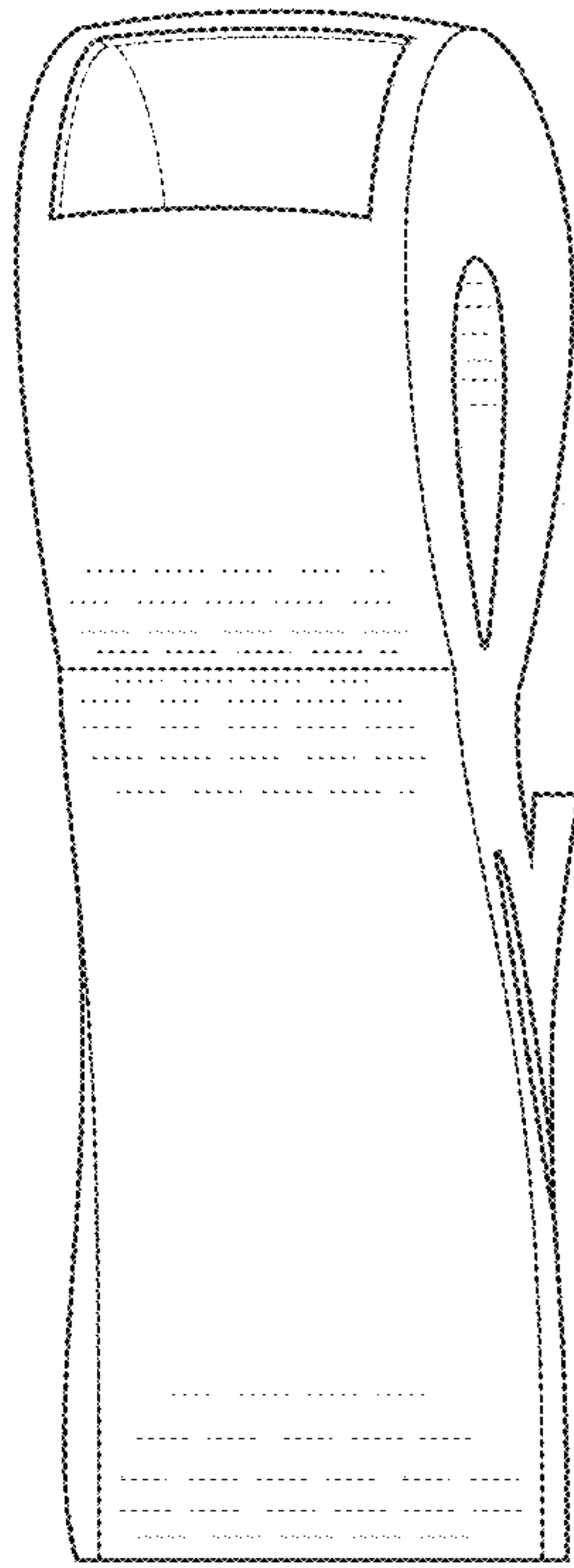


FIG. 186

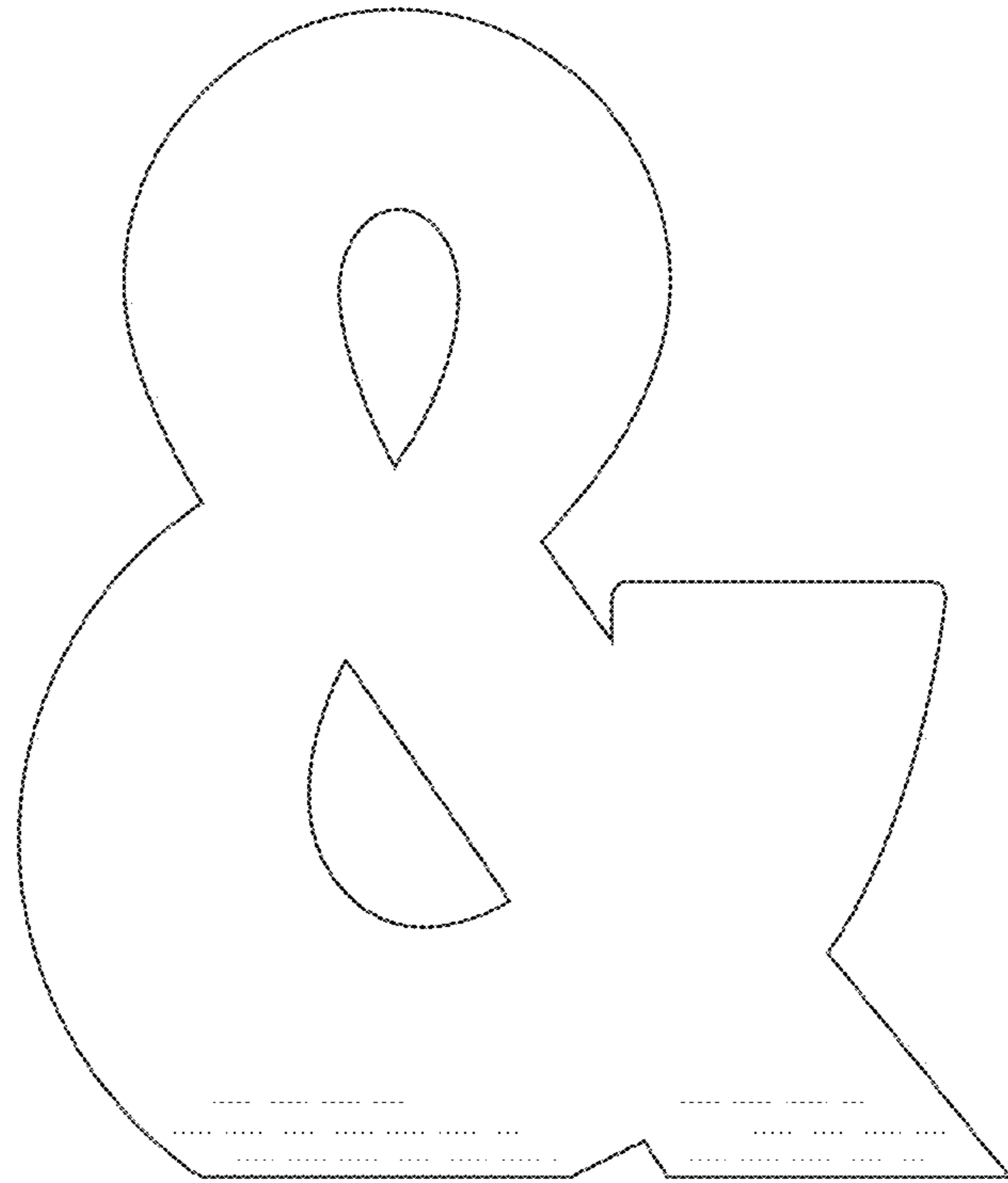


FIG. 187

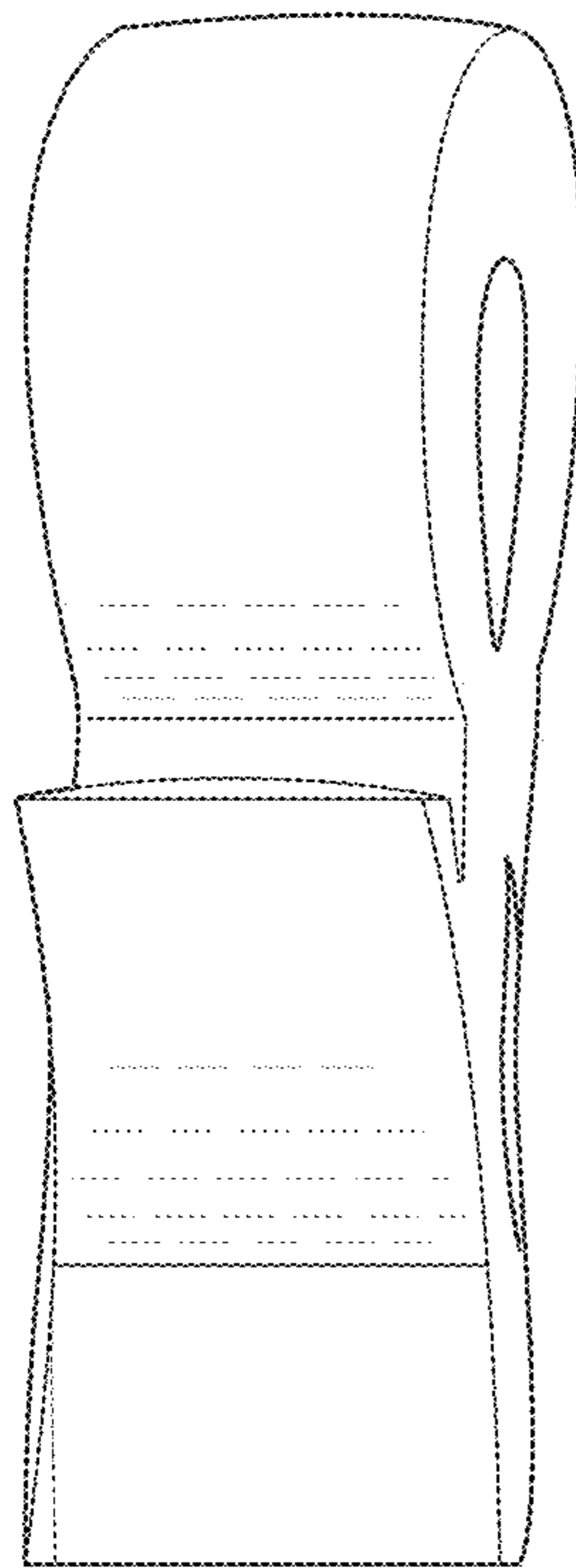


FIG. 188

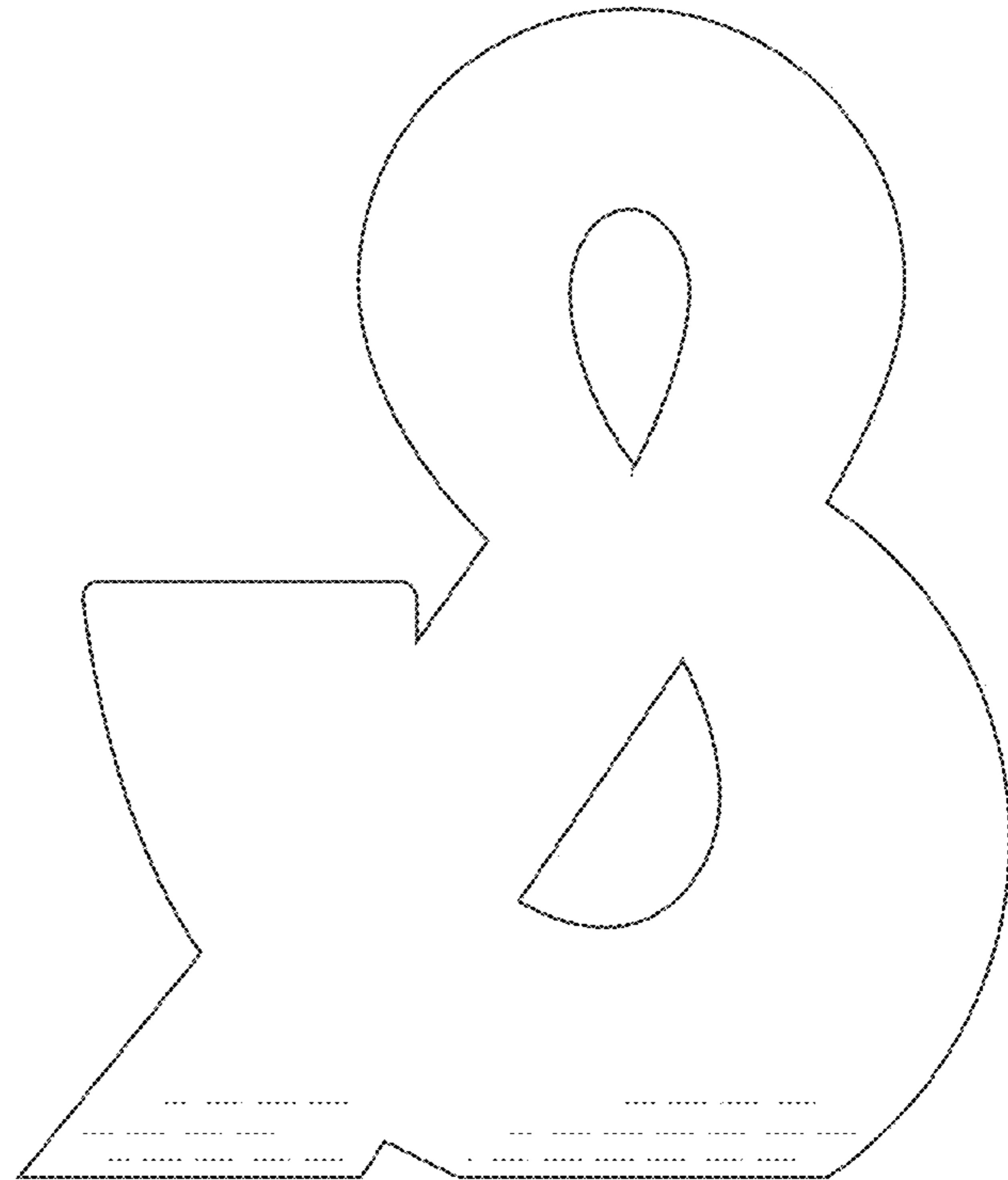


FIG. 189