



US00D947065S

(12) **United States Design Patent**
Chouikh et al.

(10) **Patent No.:** **US D947,065 S**
(45) **Date of Patent:** **** Mar. 29, 2022**

(54) **HANGING GARDEN**
(71) Applicant: **GARANT GP**, Saint-François (CA)
(72) Inventors: **Leïla Chouikh**, Montreal (CA);
François Parenteau, Quebec (CA)
(73) Assignee: **GARANT GP**
(**) Term: **15 Years**

D676,355 S * 2/2013 Williamsen D11/156
D733,000 S * 6/2015 Blouin D11/164
D734,207 S * 7/2015 Blouin D11/155
D740,717 S * 10/2015 Blouin D11/164
D742,279 S * 11/2015 Takaoka D11/156
9,445,550 B2 * 9/2016 Collis A01G 9/023
D820,151 S * 6/2018 Itzhak-Sigron D11/155
D823,158 S * 7/2018 Ryan D11/155
D830,892 S * 10/2018 Itzhak-Sigron D11/155
10,531,614 B2 * 1/2020 Stott A01G 9/02

(Continued)

(21) Appl. No.: **29/733,985**
(22) Filed: **May 8, 2020**
(51) **LOC (13) Cl.** **11-02**
(52) **U.S. Cl.**
USPC **D11/156**
(58) **Field of Classification Search**
USPC D11/143–156, 164; D6/403–405,
D6/556–558; D8/1
CPC . A01G 9/02; A01G 9/021; A01G 9/04; A01G
27/003; A01G 31/06; A47G 7/00; A47G
7/02; A47G 7/04; A47G 7/08
See application file for complete search history.

FOREIGN PATENT DOCUMENTS

GB 6105744 * 11/2020

OTHER PUBLICATIONS

Garant Hanging Garden, Model: PHG16GG, Product Code: 0123816,
UPC: 055636852066, online on patrickmorin.com, copyright 2021.*

(Continued)

Primary Examiner — Elizabeth A. Albert
(74) *Attorney, Agent, or Firm* — Lavery, De Billy, LLP;
Gwendoline Bruneau

(56) **References Cited**

U.S. PATENT DOCUMENTS

880,042 A * 2/1908 Rietmann B65D 7/14
217/51
D97,495 S * 11/1935 Madvig D11/156
D229,329 S * 11/1973 Jansen D11/156
D241,763 S * 10/1976 Gottrogen D11/156
D245,684 S * 9/1977 Julinot D11/155
D256,344 S * 8/1980 Schneck D11/156
D259,867 S * 7/1981 Kenyon D11/155
D298,305 S * 11/1988 Granger D11/156
D302,534 S * 8/1989 Granger D11/156
D338,428 S * 8/1993 Grosfillex D11/156
D345,052 S * 3/1994 Stokke D11/143
D365,232 S * 12/1995 Briault D11/156
D370,176 S * 5/1996 Wyslotsky D9/425
D612,608 S * 3/2010 Snell D3/304
D660,196 S * 5/2012 Huang D11/155

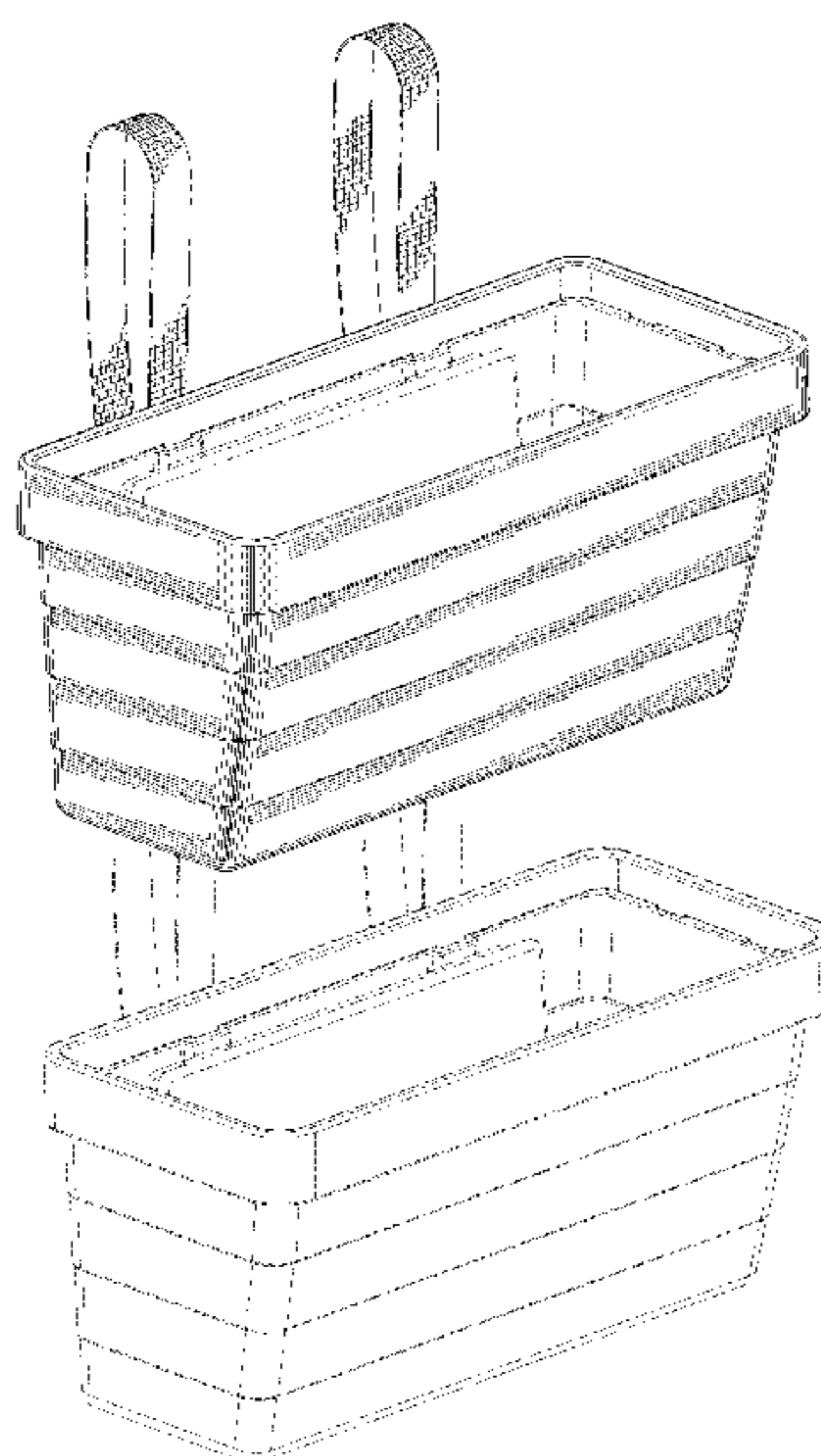
(57) **CLAIM**

The ornamental design for a hanging garden, as shown and described.

DESCRIPTION

FIG. 1 is a perspective view of the new design.
FIG. 2 is a front view thereof;
FIG. 3 is a top view thereof;
FIG. 4 is a side view thereof;
FIG. 5 is a side view thereof;
FIG. 6 is a rear view thereof; and,
FIG. 7 is a bottom view thereof.
The broken lines shown in FIGS. 1-7 illustrate portions that form no part of the claimed design.

1 Claim, 4 Drawing Sheets



(56)

References Cited

U.S. PATENT DOCUMENTS

D887,797 S * 6/2020 Chouikh D8/1
D908,040 S * 1/2021 Now D11/155

OTHER PUBLICATIONS

Oct. 1, 2018, Lechuza, Balconera Color 50 gris ardoise avec bac d'arrosage interchangeable, <https://www.lechuza.ca/fr/sale/balconera-color-50-gris-ardoise/15673.html>.

* cited by examiner

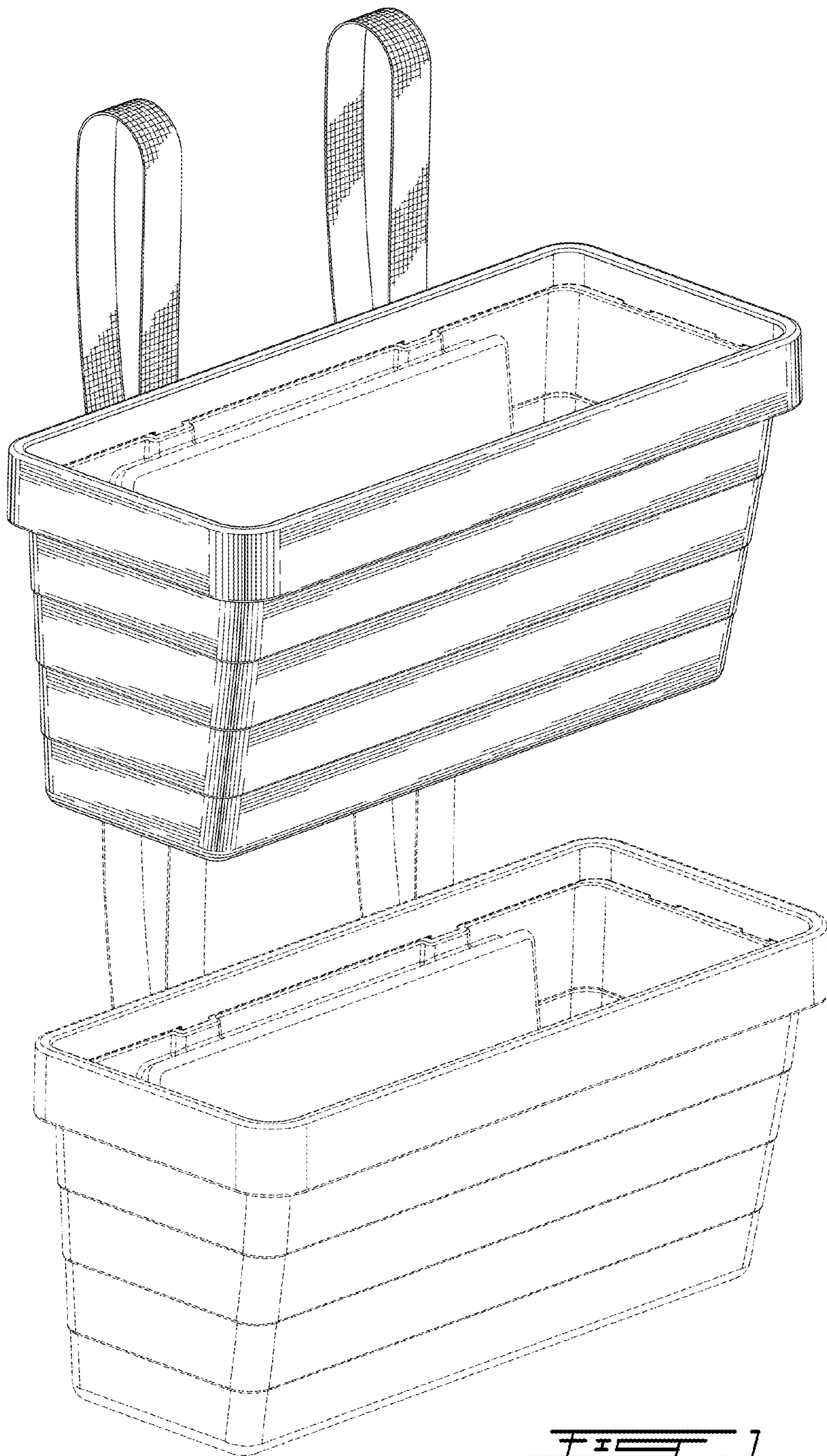


FIG. 1

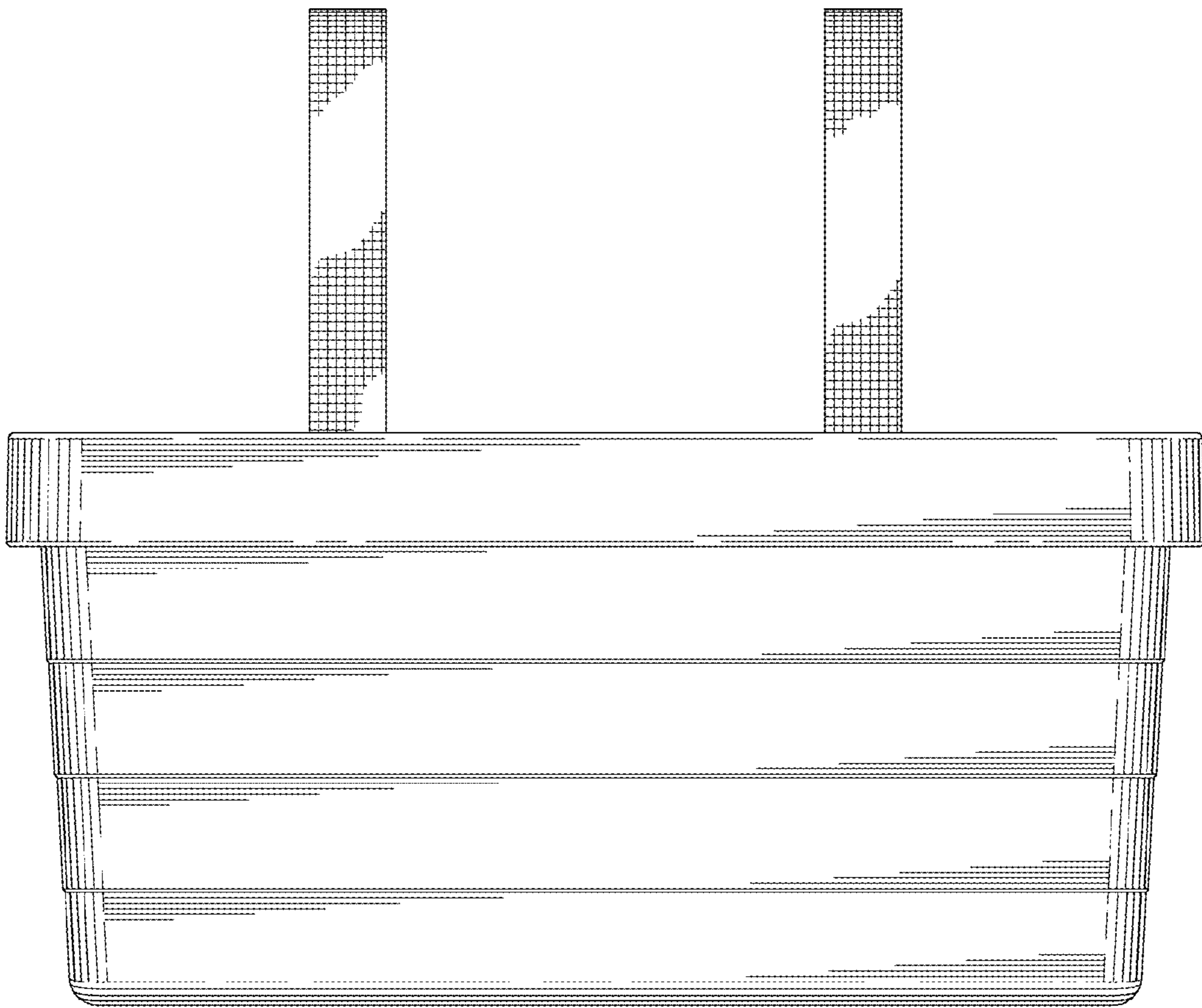


FIG. 2

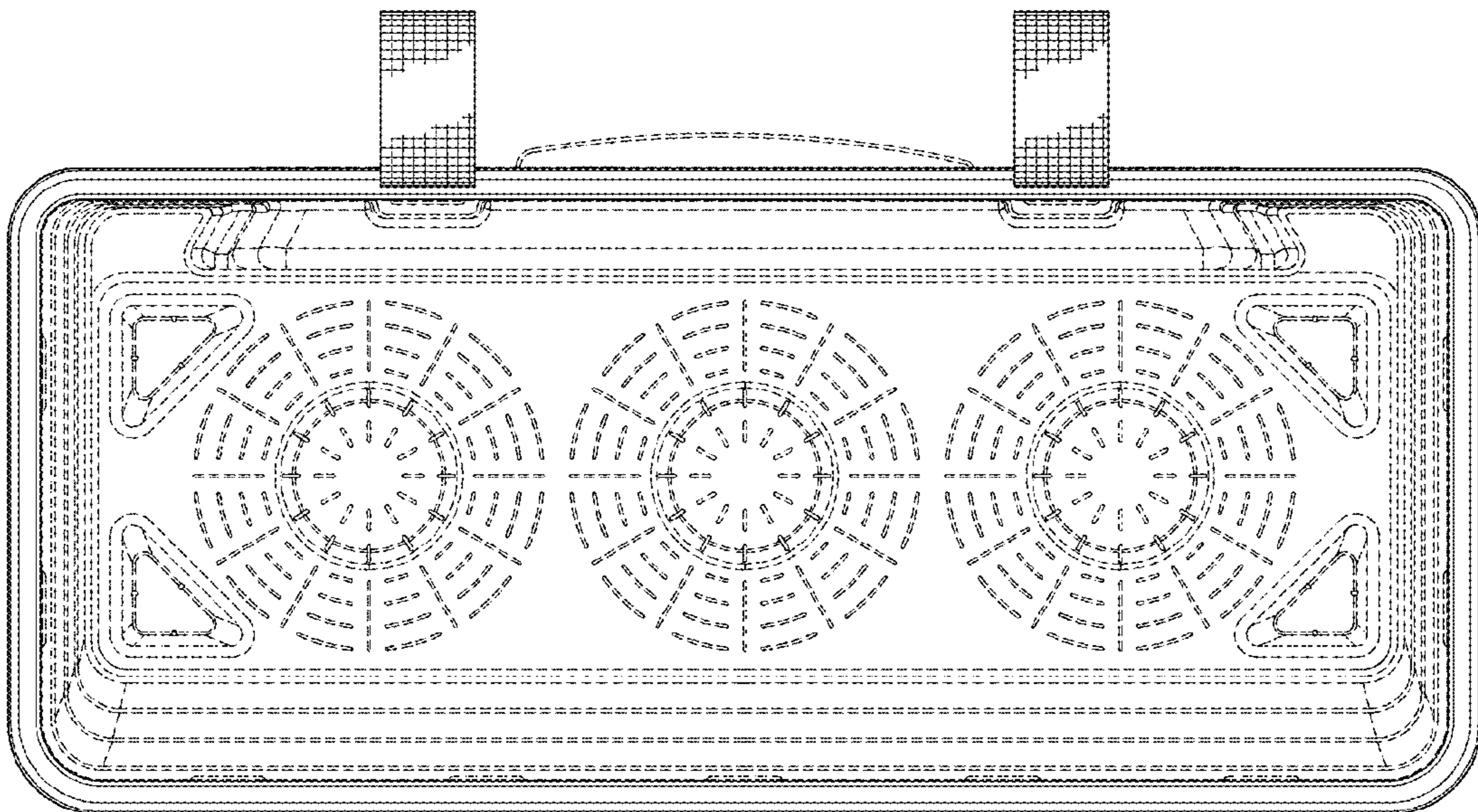


FIG. 3

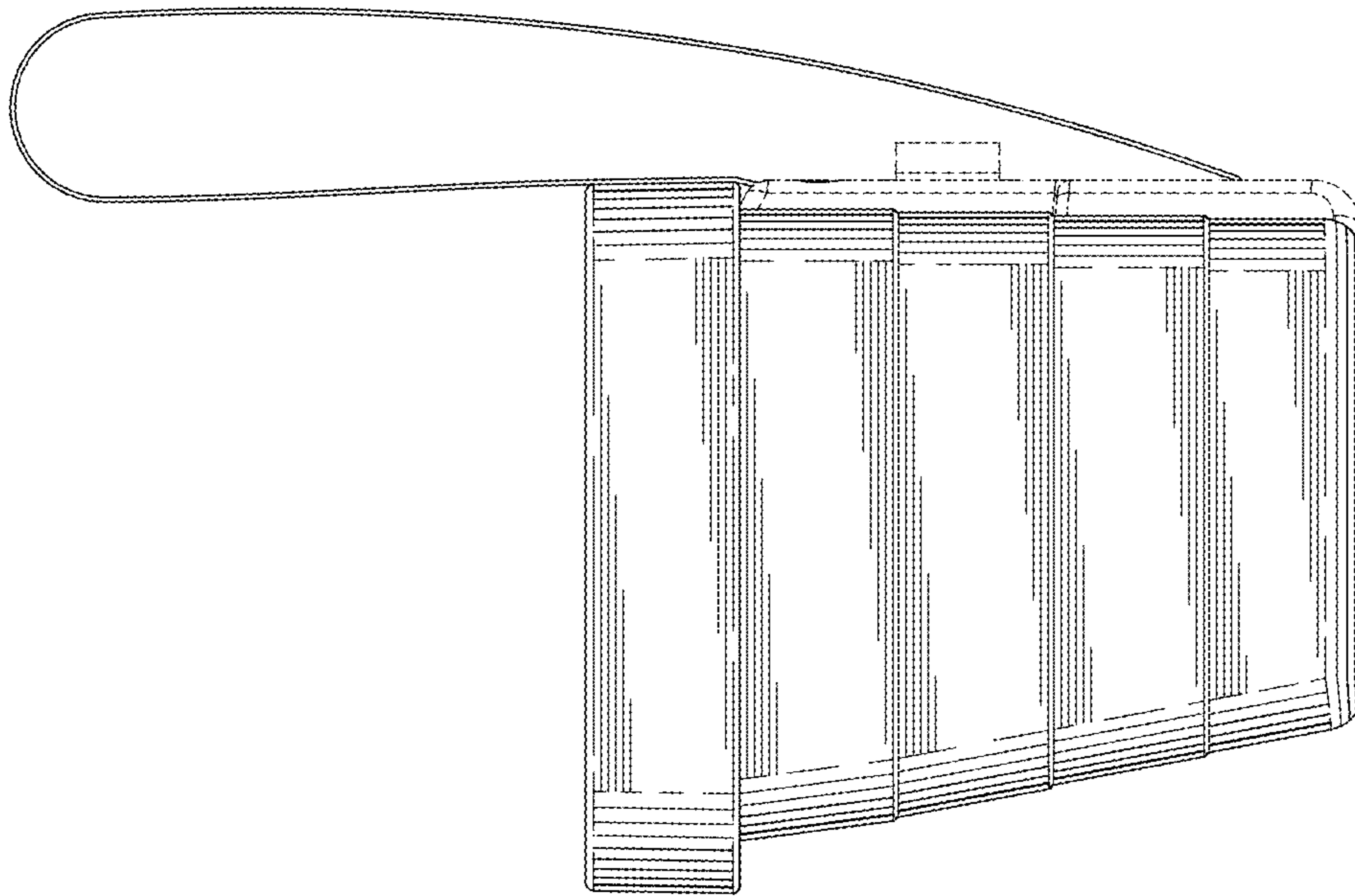


FIG. 5

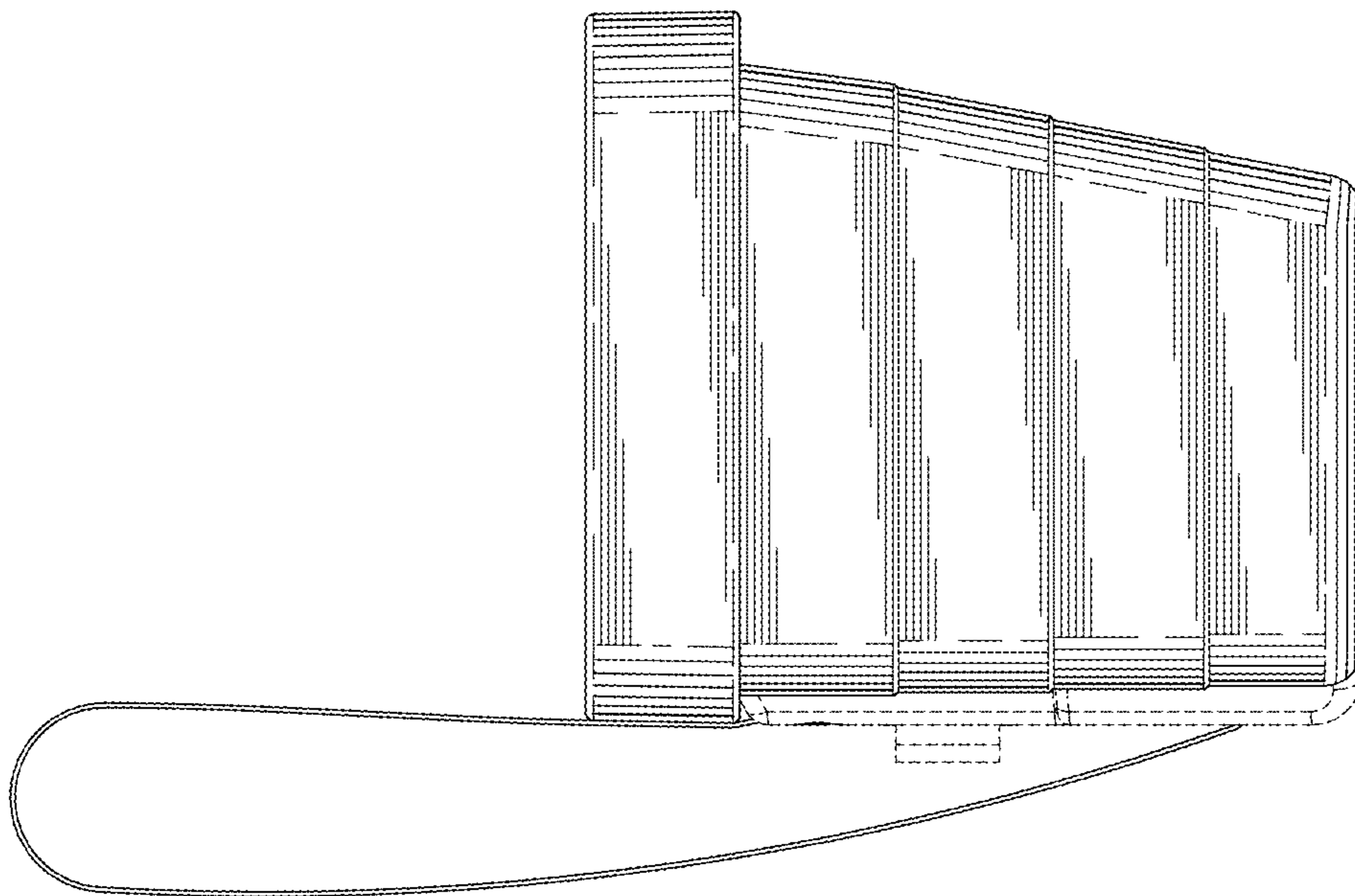


FIG. 4

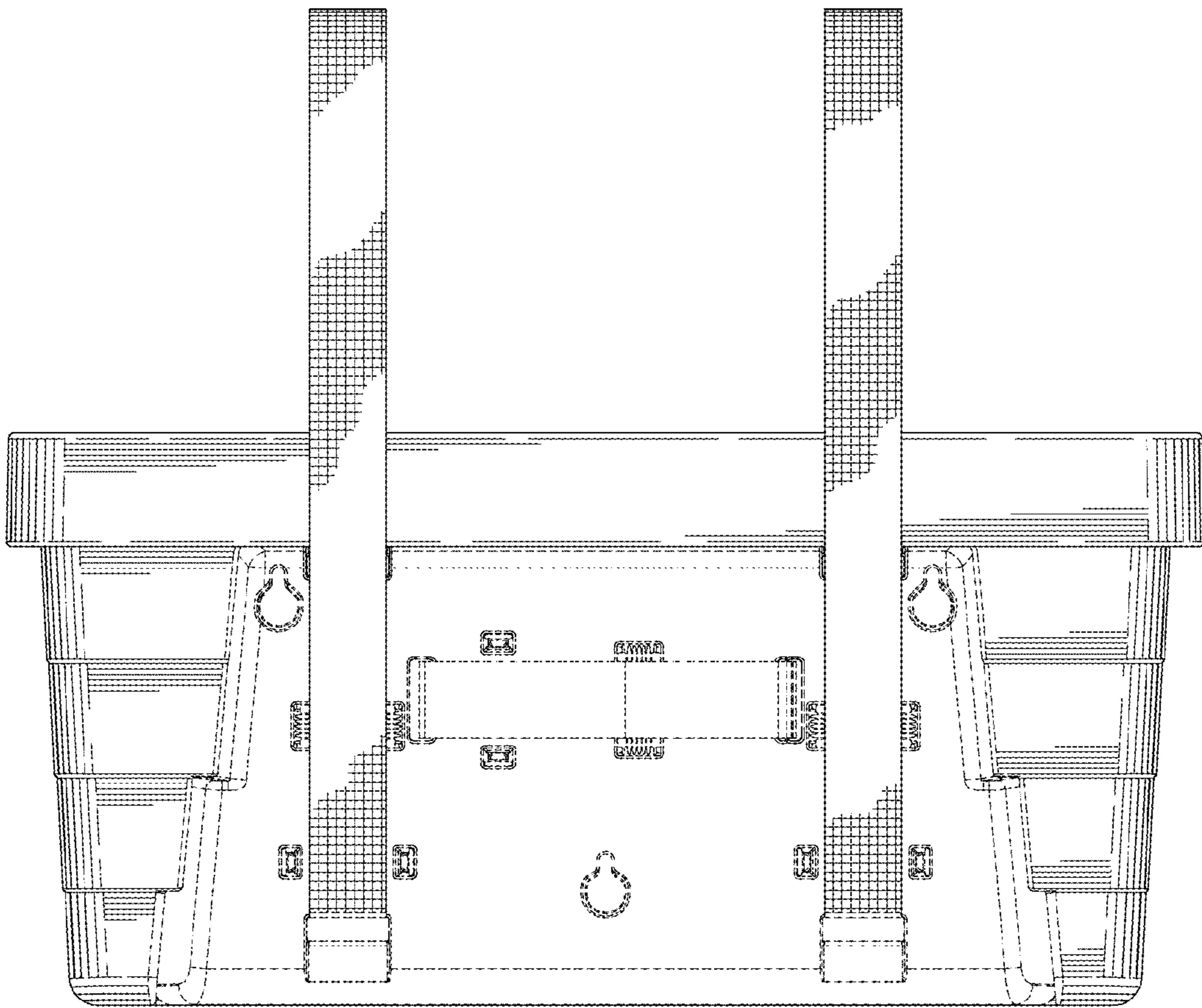


FIG. 6

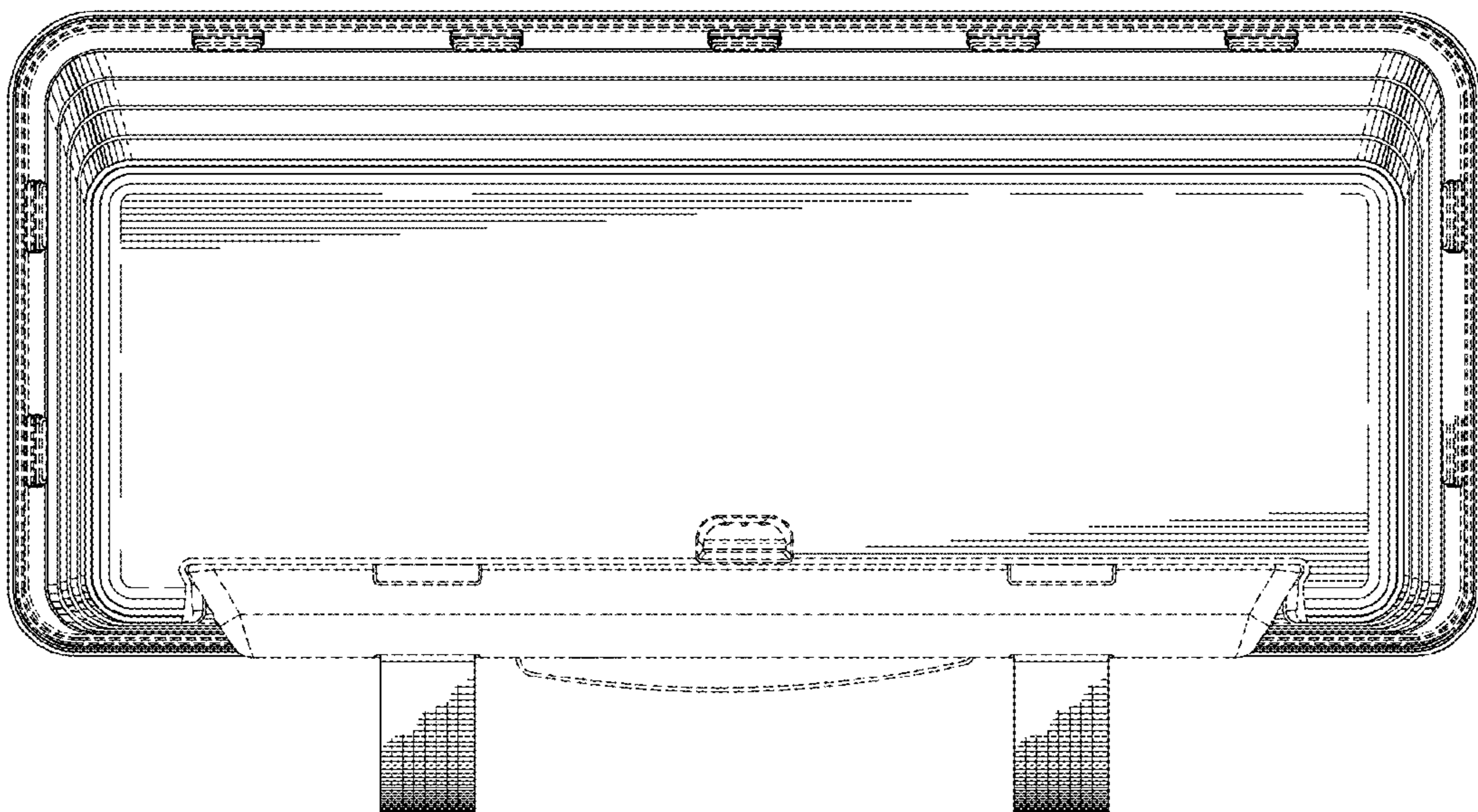


FIG. 7