



US00D947064S

(12) **United States Design Patent** (10) **Patent No.:** **US D947,064 S**
Ryan (45) **Date of Patent:** **** Mar. 29, 2022**

(54) **PLANTER POT**
(71) Applicant: **Classic Home & Garden, LLC,**
Monroe, CT (US)
(72) Inventor: **Fred Joseph Ryan,** Trumbull, CT (US)
(73) Assignee: **CLASSIC HOME & GARDEN, LLC,**
Monroe, CT (US)
(**) Term: **15 Years**
(21) Appl. No.: **29/734,846**

D511,477 S * 11/2005 Hensen D11/153
D548,587 S * 8/2007 DuVal D30/129
D561,021 S * 2/2008 DuVal D9/500
D671,276 S * 11/2012 Krueger D30/127
D693,687 S * 11/2013 Karay D9/503
D713,756 S * 9/2014 Thuma D11/152
D713,757 S * 9/2014 Thuma D11/152
D748,436 S * 2/2016 Kent D7/584
D778,203 S * 2/2017 Thuma D11/153
D778,204 S * 2/2017 Thuma D11/153
D805,424 S * 12/2017 Thuma D11/153
D849,596 S * 5/2019 Crosby D11/143
10,701,869 B2 * 7/2020 Ryan A01G 9/024
D926,625 S * 8/2021 Wolff D11/151

(22) Filed: **May 15, 2020**
(51) **LOC (13) Cl.** **11-02**
(52) **U.S. Cl.**
USPC **D11/153**
(58) **Field of Classification Search**
USPC D11/143–156, 164; D6/403–405,
D6/556–558; D7/584, 587; D8/1
CPC . A01G 9/02; A01G 9/021; A01G 9/04; A01G
27/003; A01G 31/06; A47G 7/00; A47G
7/02; A47G 7/04; A47G 7/08
See application file for complete search history.

(56) **References Cited**
U.S. PATENT DOCUMENTS
D63,117 S * 10/1923 Aymar D7/542
2,638,716 A * 5/1953 Luipersbek A01G 27/04
47/79
D228,934 S * 10/1973 Humphries D11/154
D234,180 S * 1/1975 Dart et al. D7/584
D245,643 S * 8/1977 Orfei D11/154
D248,006 S * 5/1978 Christian D7/584
D322,047 S * 12/1991 Wolfenden D11/153
D352,480 S * 11/1994 Carlson 47/79
D382,512 S * 8/1997 Hulsebus D11/152
D405,387 S * 2/1999 Masello D11/152
D505,882 S * 6/2005 Hensen D11/152

OTHER PUBLICATIONS

HC Companies SRA10001P09 Sierra Planter Pot, Arizona Sand, \$21.36, online on Target.com, copyright 2021.*

* cited by examiner

Primary Examiner — Elizabeth A. Albert
(74) *Attorney, Agent, or Firm* — Tutunjian & Bitetto, P.C.

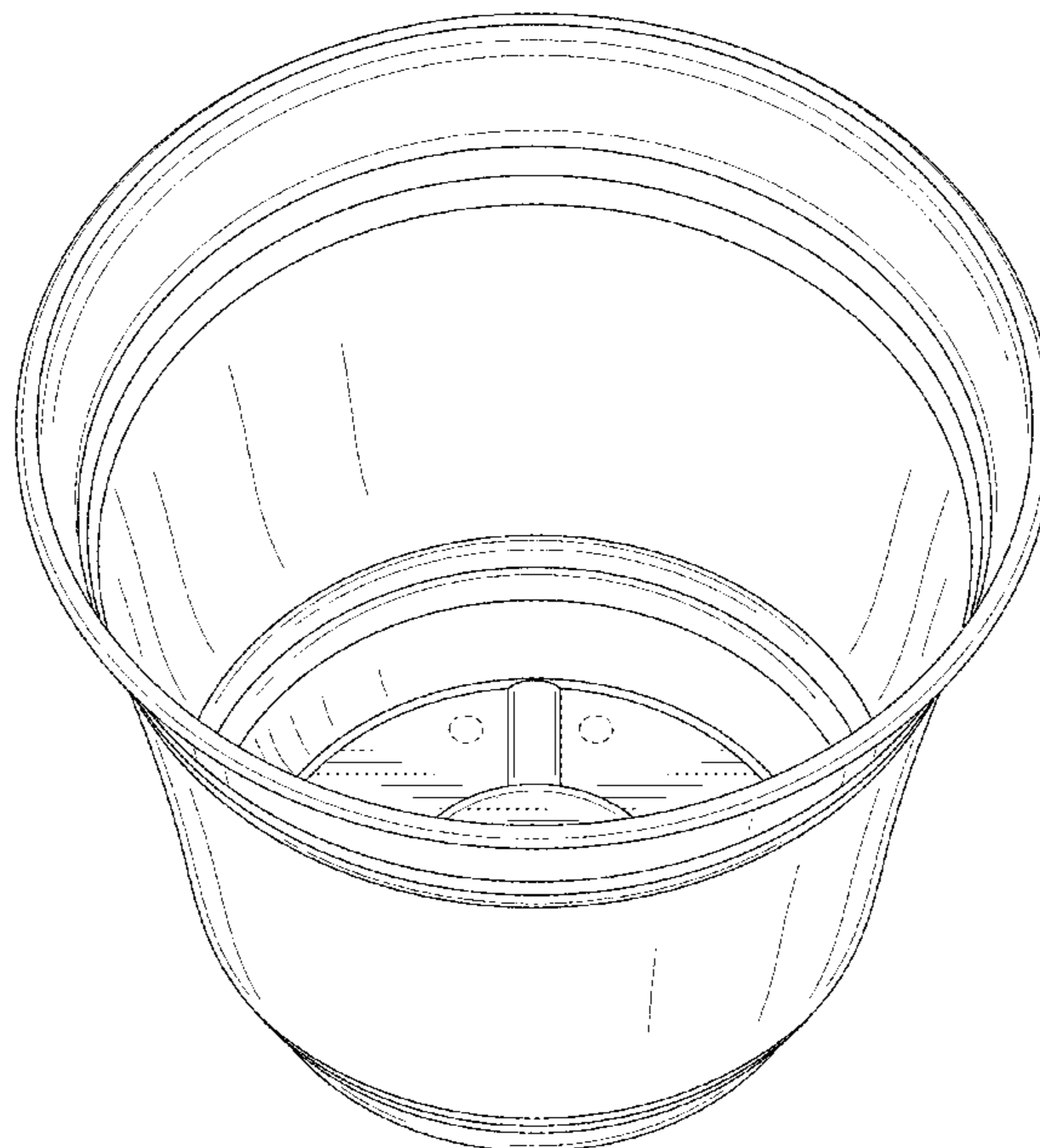
(57) **CLAIM**

The ornamental design for a planter pot, as shown and described.

DESCRIPTION

FIG. 1 is a front perspective view of the planter pot showing my new design;
FIG. 2 is a bottom perspective view thereof;
FIG. 3 is a front view thereof; FIG. 4 is a rear view thereof;
FIG. 5 is a right side view thereof; FIG. 6 is a left side view thereof; FIG. 7 is a top view thereof; and, FIG. 8 is a bottom view thereof.
The broken lines represent portions in the planter pot and form no part of the claimed design.

1 Claim, 8 Drawing Sheets



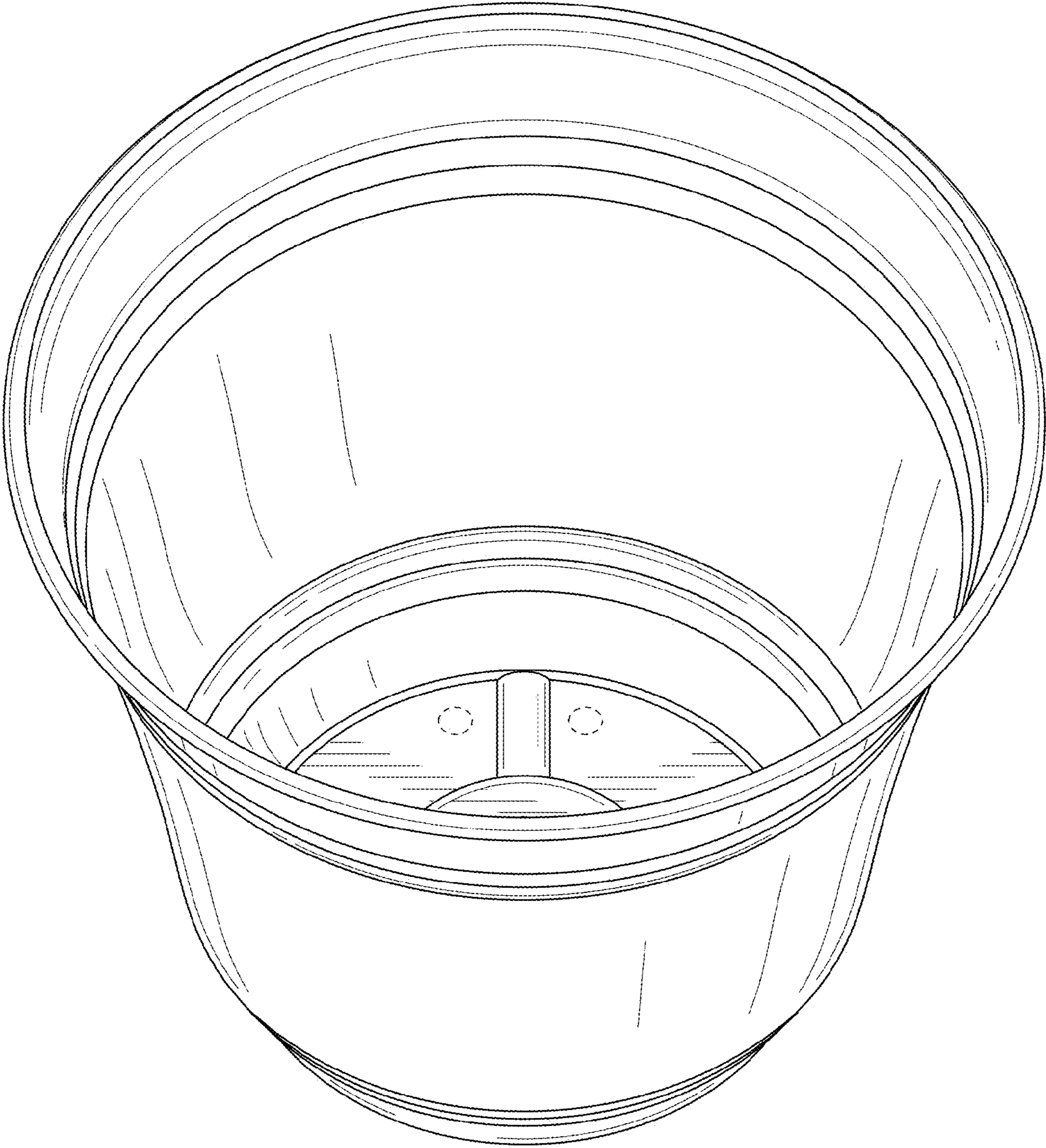


FIG. 1

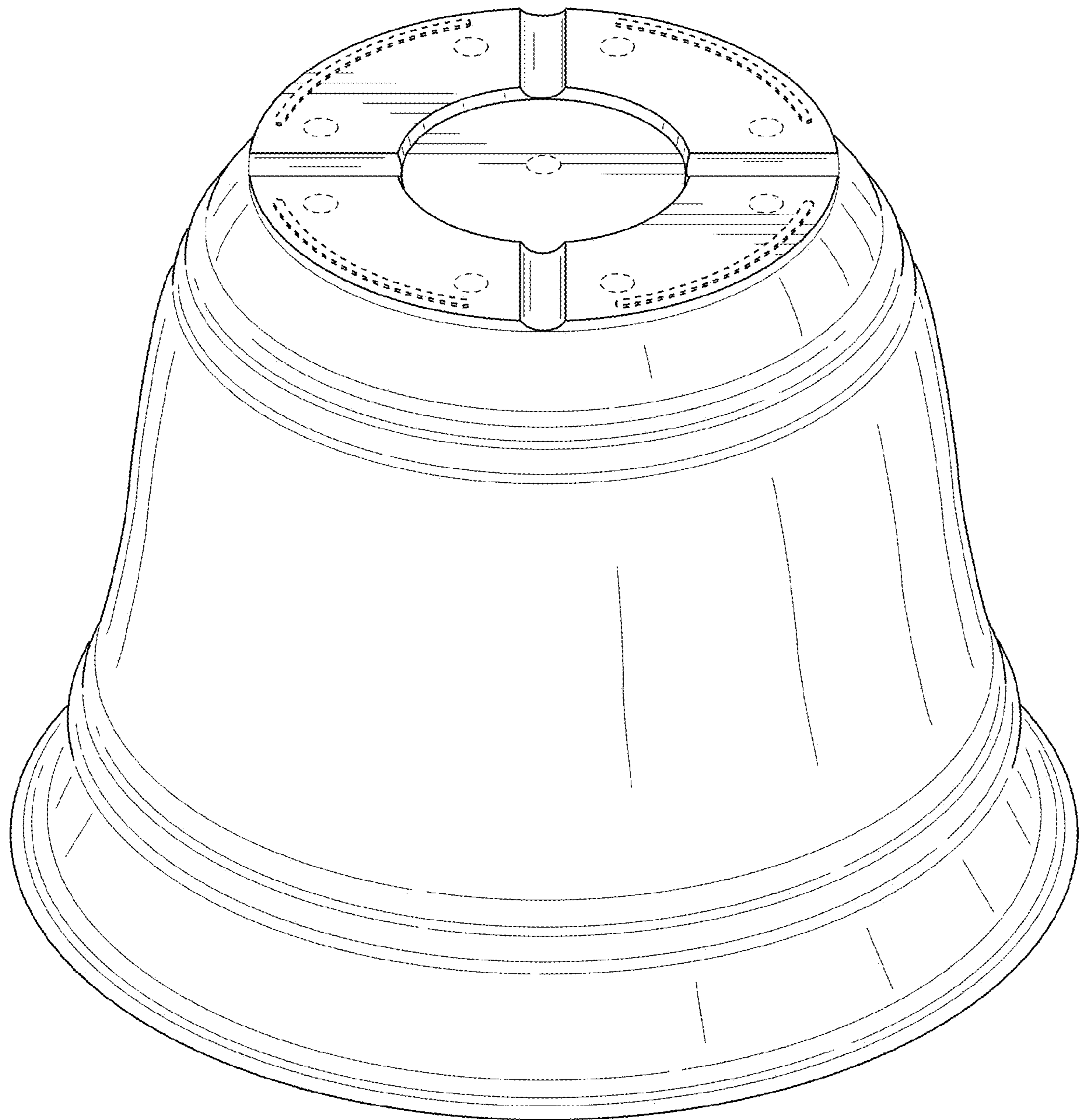


FIG. 2

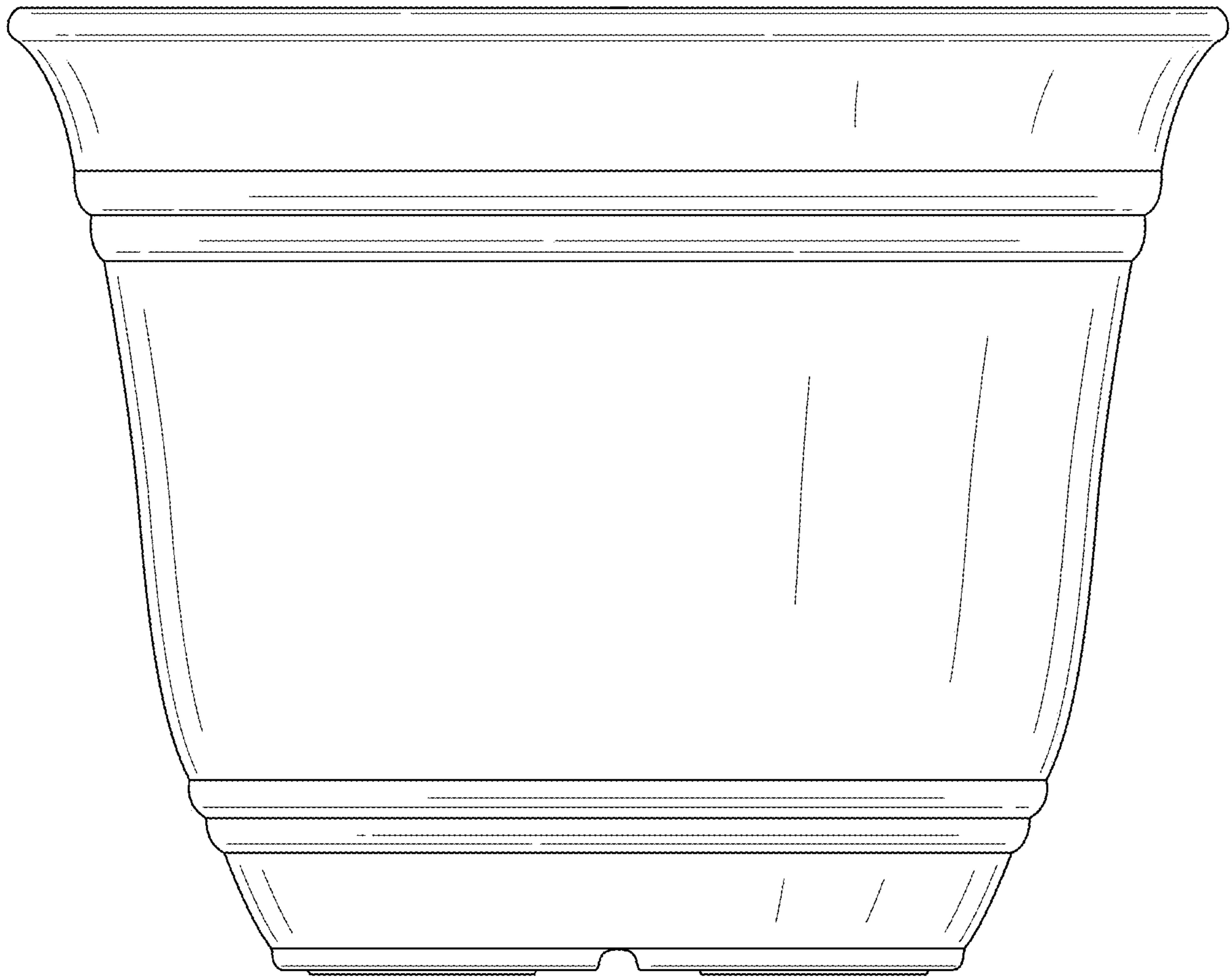


FIG. 3

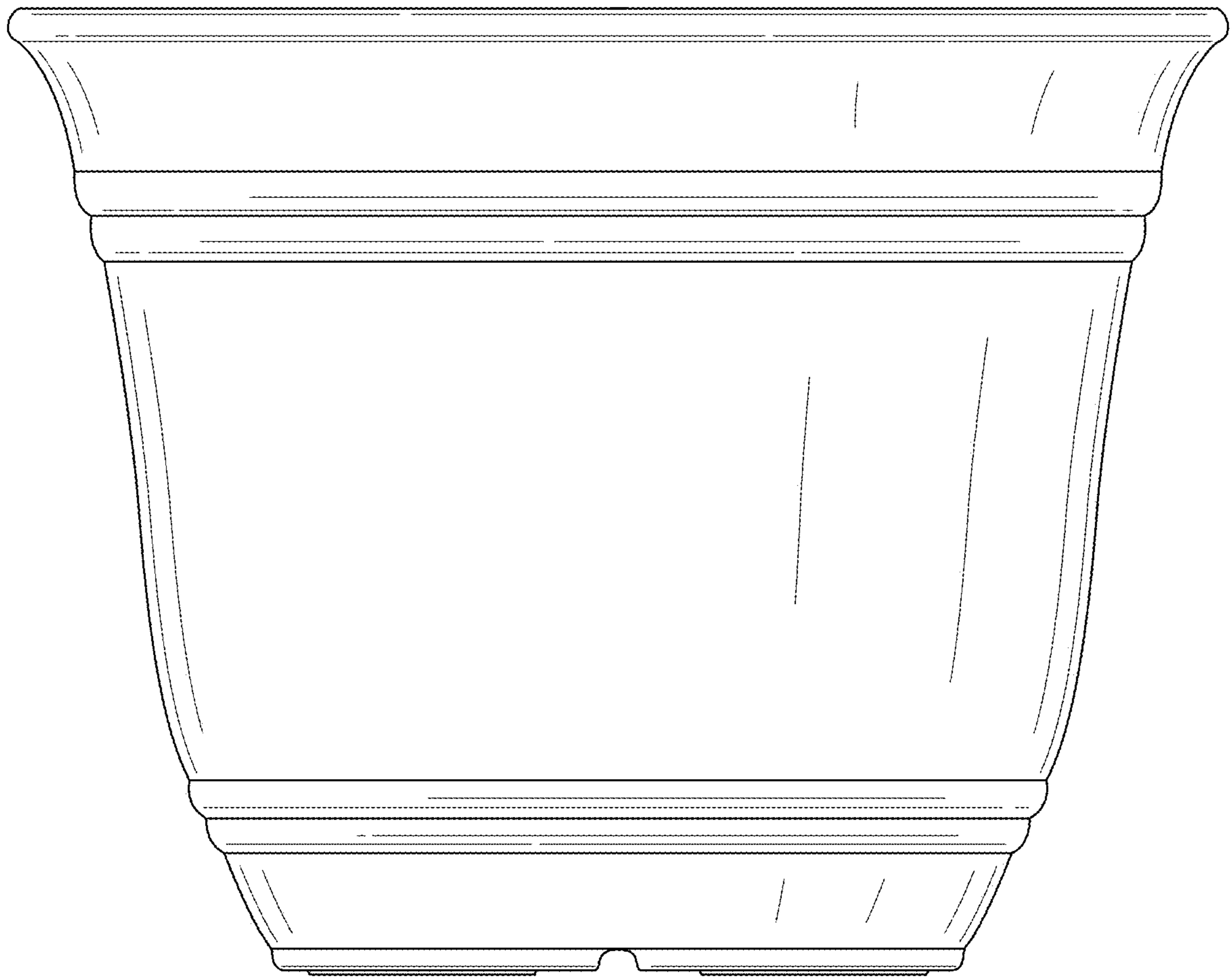


FIG. 4

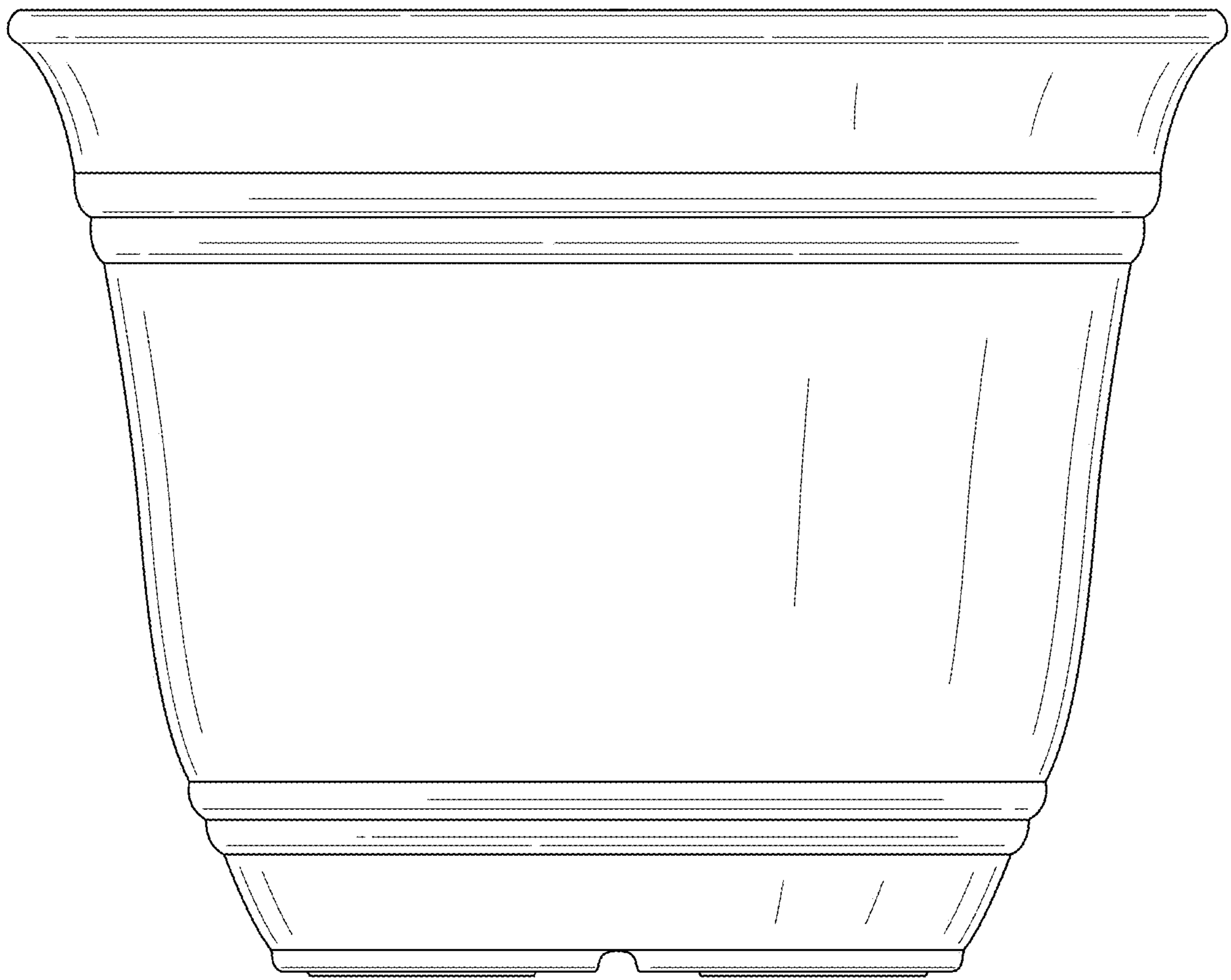


FIG. 5

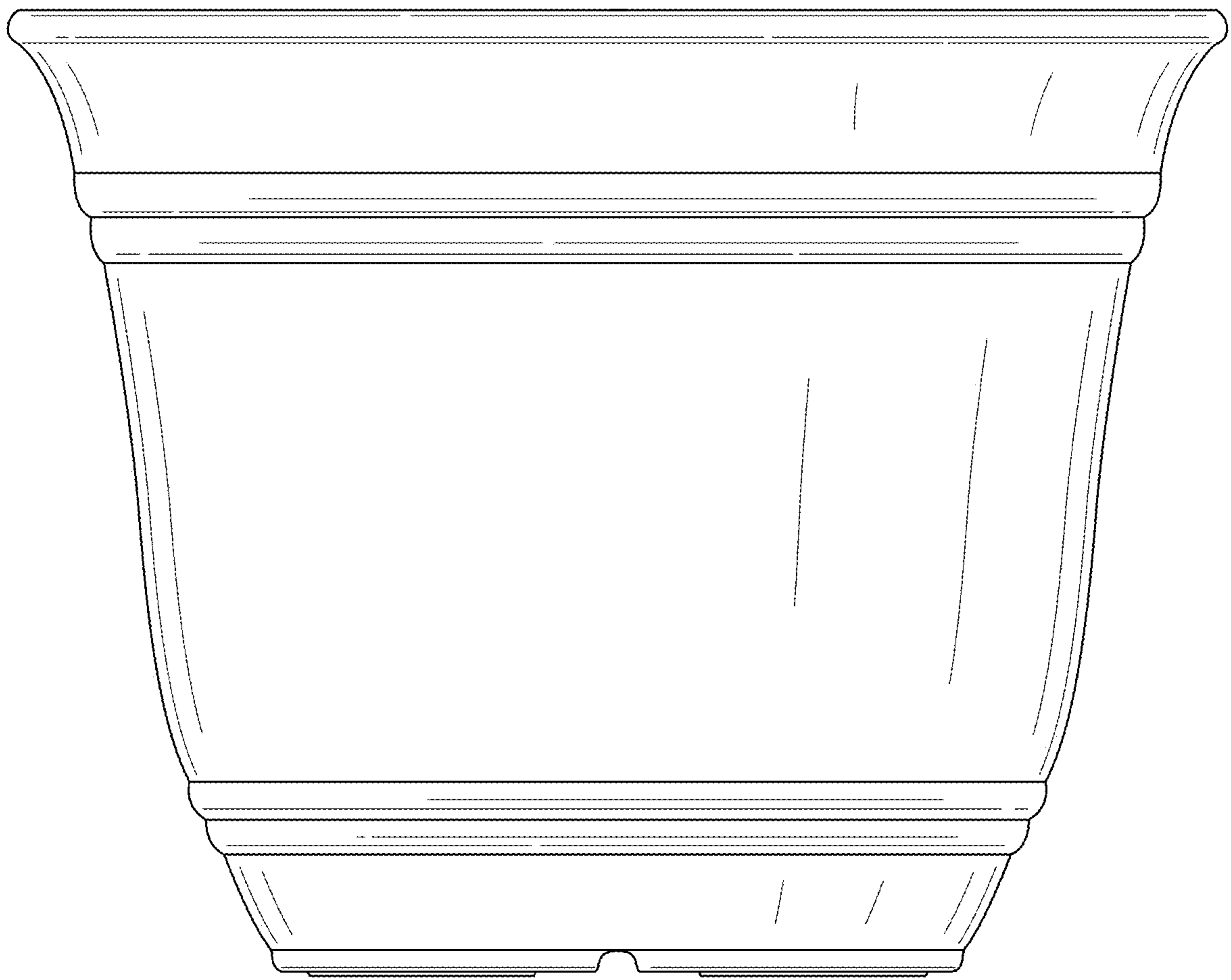


FIG. 6

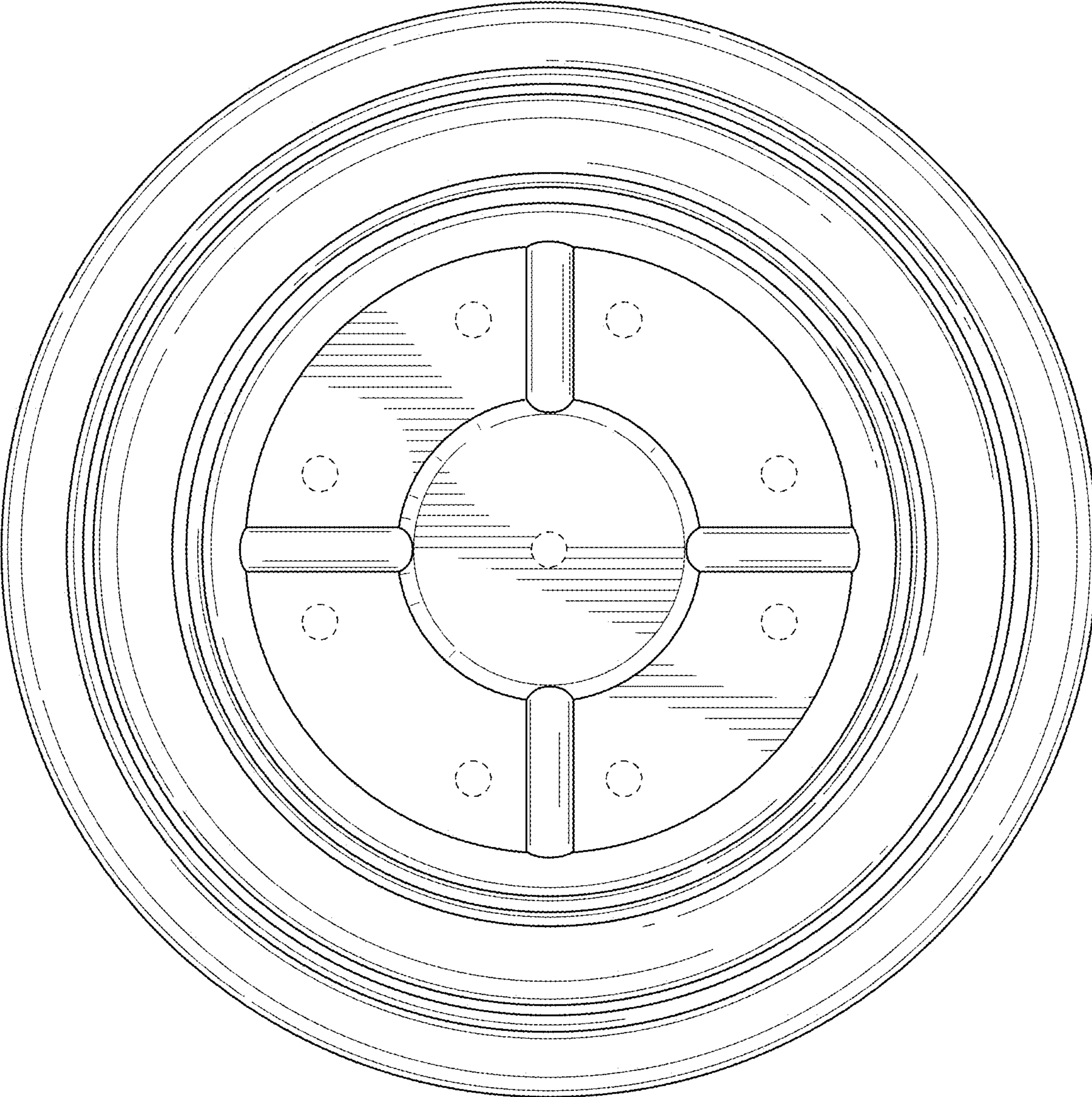


FIG. 7

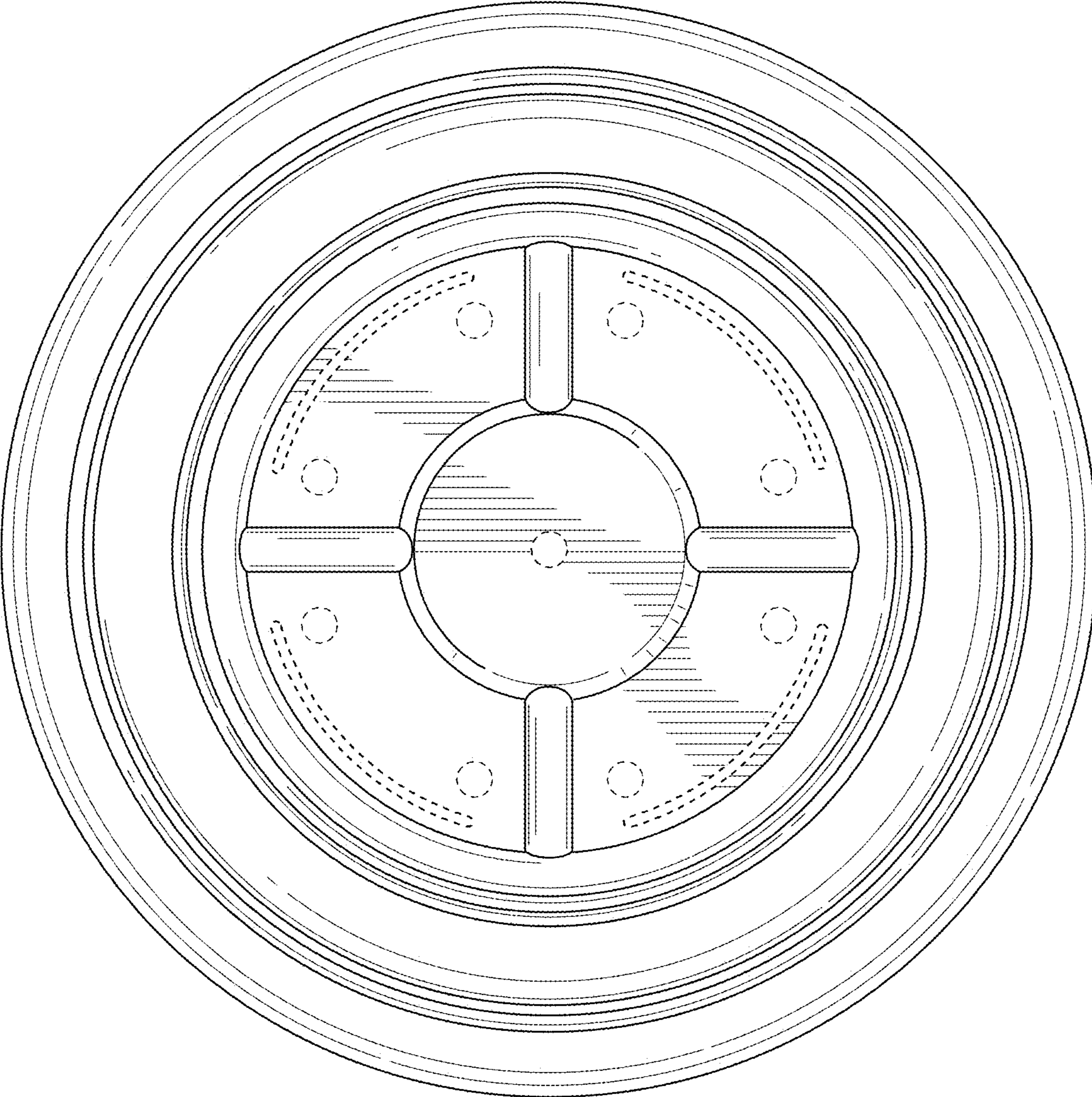


FIG. 8