



(12) **United States Design Patent**
Siegel et al.

(10) **Patent No.:** **US D947,063 S**
(45) **Date of Patent:** **** Mar. 29, 2022**

(54) **PLANTER**
(71) Applicant: **Apple Inc.**, Cupertino, CA (US)
(72) Inventors: **Jonathan P. Siegel**, San Francisco, CA (US); **Christopher M. Green**, Woodside, CA (US); **Stefan Behling**, London (GB); **David Summerfield**, London (GB); **James McGrath**, Cupertino, CA (US); **Christopher Daniel Peak**, Oakland, CA (US); **Patrick O'Brien**, West Nyack, NY (US); **Jennifer Ross Wynn**, San Francisco, CA (US); **Andrea Fender Badgley**, San Francisco, CA (US); **Richard P. Howarth**, San Francisco, CA (US); **Rafe Bertram**, London (GB); **John De Maio**, Cupertino, CA (US); **Susana Varela De Sagarra**, London (GB); **Raoul Skrein Bumballa**, London (GB); **Neil Bancroft**, London (GB); **Charlotte Hofstetter**, San Francisco, CA (US); **Afroditi Kavallieraki**, London (GB)

CPC A01G 31/047; A01G 3/06; A01G 9/02; A01G 9/021; A01G 9/0293; A01G 9/04; A01G 27/003; A47G 7/00; A47G 7/02; A47G 7/04; A47G 7/08
See application file for complete search history.

(56) **References Cited**

U.S. PATENT DOCUMENTS

D118,920 S 2/1940 Trevisan
2,598,763 A 6/1952 De Roo
(Continued)

FOREIGN PATENT DOCUMENTS

EM 002748632-0003 * 11/2015

Primary Examiner — Elizabeth A. Albert
(74) *Attorney, Agent, or Firm* — Sterne, Kessler, Goldstein & Fox P.L.L.C.

(57) **CLAIM**

The ornamental design for a planter, as shown and described.

(73) Assignee: **Apple Inc.**, Cupertino, CA (US)

(**) Term: **15 Years**

(21) Appl. No.: **29/736,070**

(22) Filed: **May 27, 2020**

Related U.S. Application Data

(63) Continuation of application No. 29/642,440, filed on Mar. 29, 2018, now Pat. No. Des. 887,305, which is (Continued)

(51) **LOC (13) Cl.** **11-02**

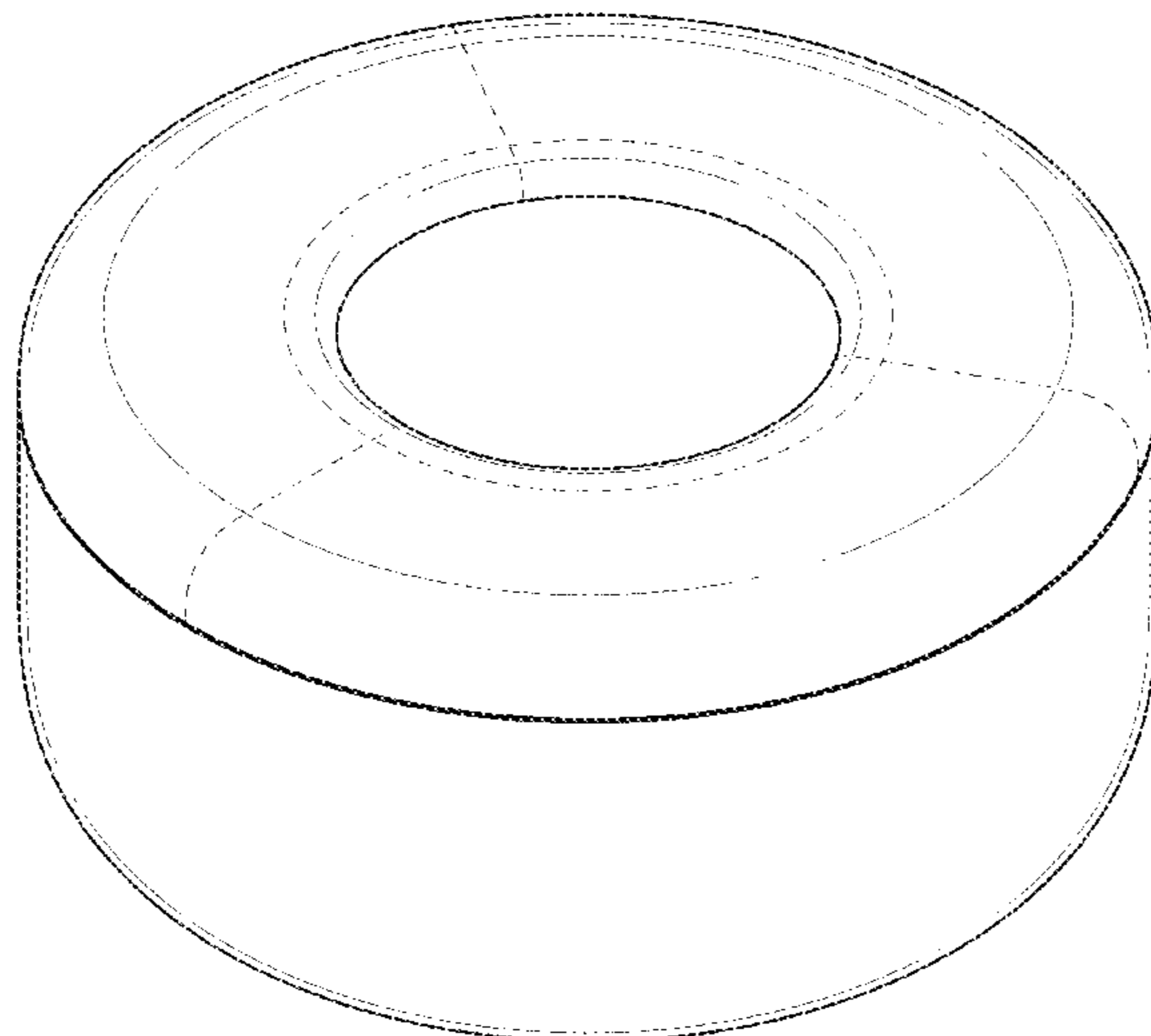
(52) **U.S. Cl.**
USPC **D11/152**

(58) **Field of Classification Search**
USPC D11/143–156, 164; D6/403–405, D6/556–558; D7/584, 587; D8/1

DESCRIPTION

FIG. 1 is a top front perspective view of a planter showing the claimed design;
FIG. 2 is a front view thereof;
FIG. 3 is a rear view thereof;
FIG. 4 is a right side view thereof;
FIG. 5 is a left side view thereof;
FIG. 6 is a top view thereof;
FIG. 7 is a bottom view thereof; and,
FIG. 8 is another right side view of the planter in an environment in which it may be used.
The broken lines in the Figures show portions of the planter or environment that form no part of the claimed design.

1 Claim, 8 Drawing Sheets



Related U.S. Application Data

a continuation of application No. 29/577,172, filed on Sep. 9, 2016, now Pat. No. Des. 814,345, which is a continuation of application No. 29/522,921, filed on Apr. 3, 2015, now Pat. No. Des. 776,127, and a continuation of application No. 29/517,034, filed on Feb. 9, 2015, now Pat. No. Des. 769,148, said application No. 29/522,921 is a continuation of application No. 29/517,034.

(56)

References Cited

U.S. PATENT DOCUMENTS

2,813,619	A	11/1957	Gerowin
3,284,039	A	11/1966	Brunner
3,704,776	A	12/1972	Collins
3,716,239	A	2/1973	Goudreau
D229,080	S	11/1973	Mihm
D241,462	S	9/1976	Criscikello
4,515,108	A	5/1985	Rankin, Jr.
D279,175	S	6/1985	Eklöf
4,525,950	A	7/1985	Glassman
4,540,417	A	9/1985	Poler
4,561,476	A	12/1985	Bunkoczy
5,050,342	A	9/1991	Figueroa
5,477,640	A	12/1995	Holtkamp, Jr.
D386,446	S	11/1997	Favish
5,704,162	A	1/1998	Holtkamp, Jr.
D397,315	S	8/1998	Oglesby

6,006,472	A	12/1999	Holtkamp, Jr.	
6,055,773	A	5/2000	Yang	
D428,120	S	7/2000	Zaldivar	
D439,682	S	3/2001	Murdick	
D470,273	S	2/2003	Revivo	
D471,799	S	3/2003	Davis	
D476,572	S	7/2003	Merritt	
D488,741	S	4/2004	Moya	
D494,610	S	8/2004	Allen	
D496,474	S	9/2004	Murdick	
D511,228	S	11/2005	Byrne	
D523,750	S	6/2006	Lee et al.	
D530,525	S	10/2006	Greene, II	
D544,726	S	6/2007	Cauley et al.	
7,263,800	B2	9/2007	Taddeo et al.	
D590,219	S	4/2009	Jabs	
D616,616	S	5/2010	Byrne	
7,758,711	B1	7/2010	Querubin	
D661,223	S	6/2012	Jaworski	
D699,149	S	2/2014	Wolff	
D718,501	S	11/2014	Byrne	
D721,975	S	2/2015	Arefieg	
D742,562	S	11/2015	Kasha	
D766,127	S	9/2016	Siegel et al.	
D769,148	S	10/2016	Siegel et al.	
9,498,553	B2	11/2016	Hsiao et al.	
D824,704	S	8/2018	Cully et al.	
D834,993	S *	12/2018	Krus	D11/152
10,165,733	B2	1/2019	Lieberstein	
D904,483	S *	12/2020	Gleason	D16/203

* cited by examiner

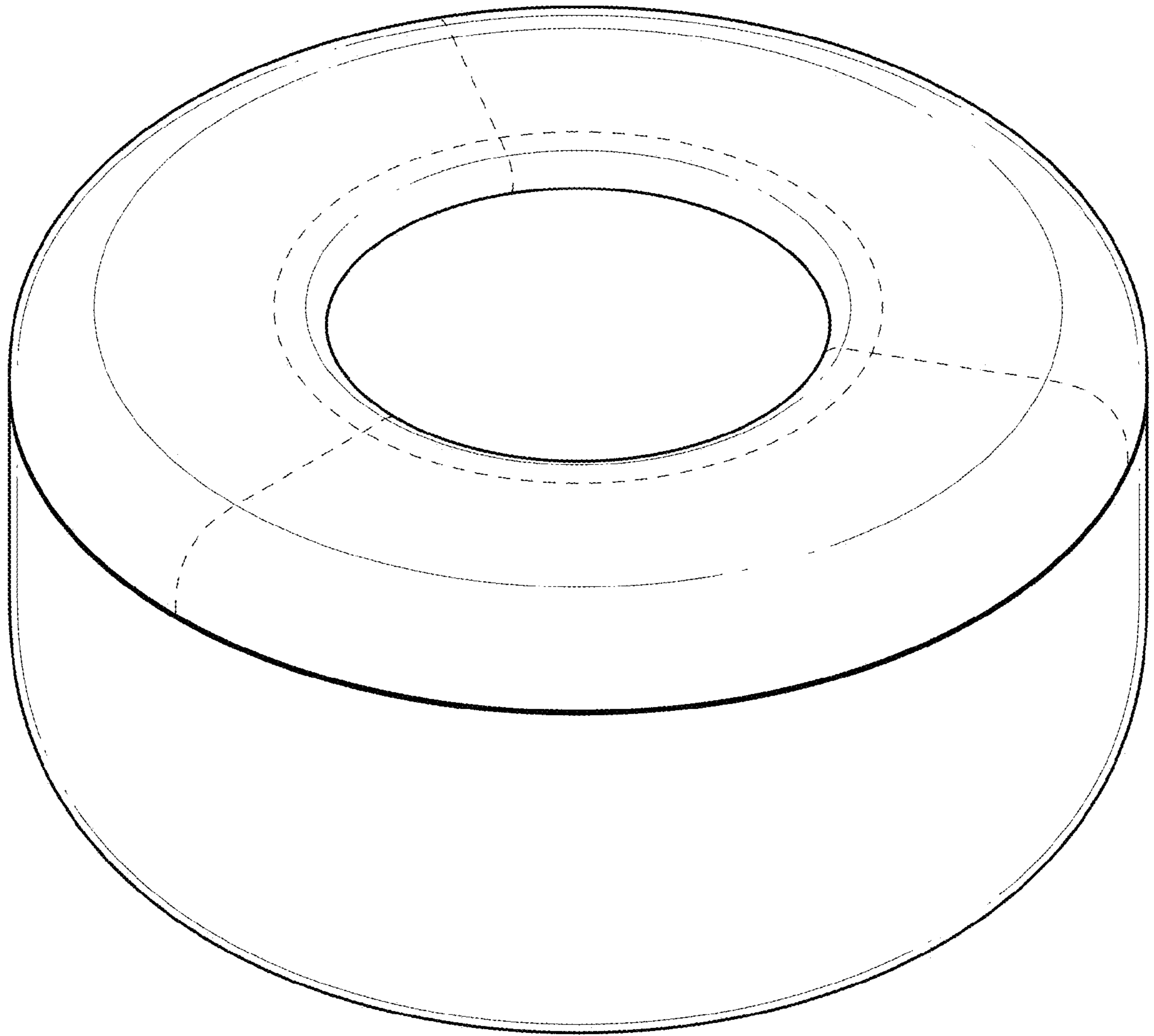


FIG. 1

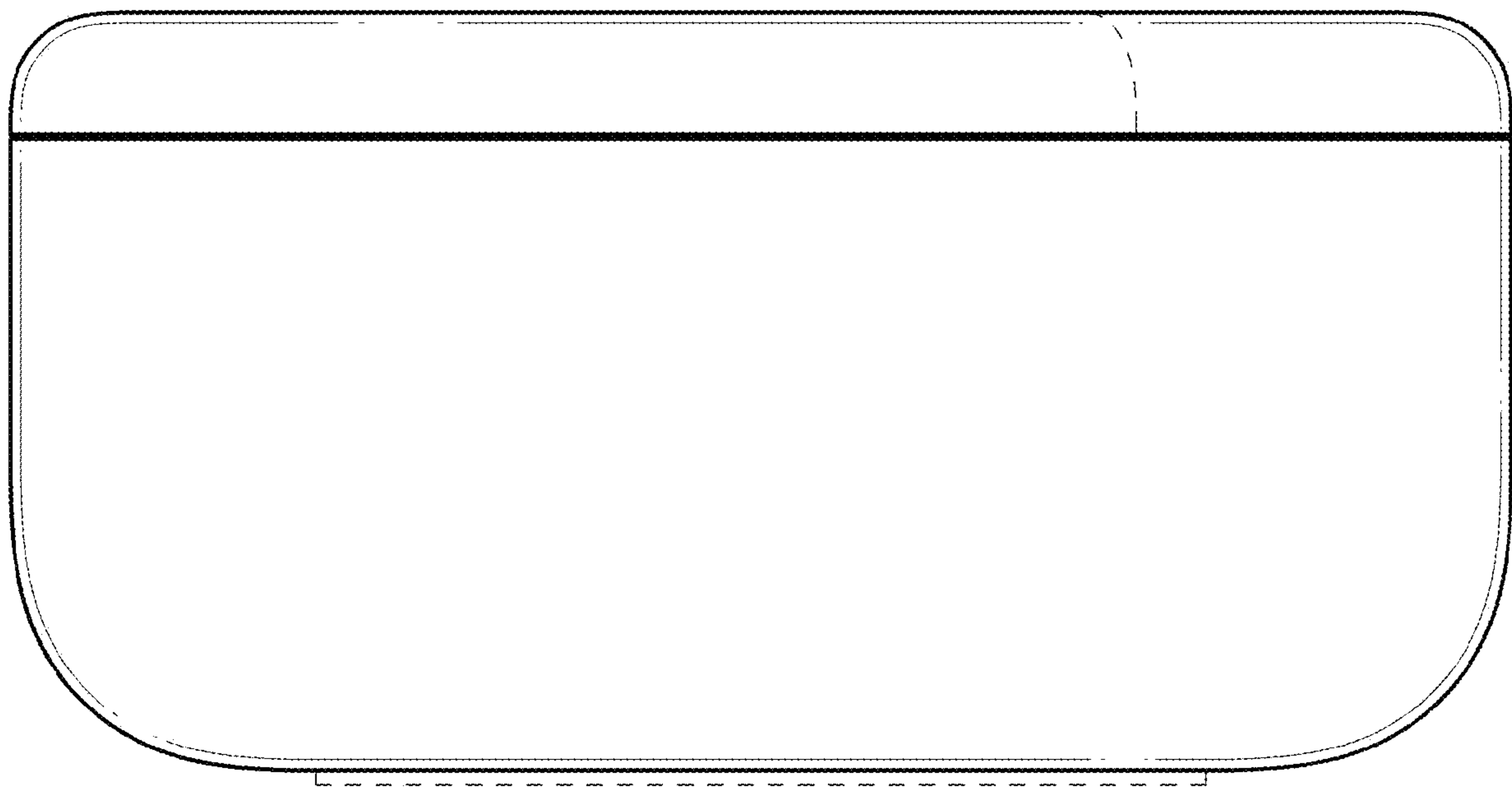


FIG. 2

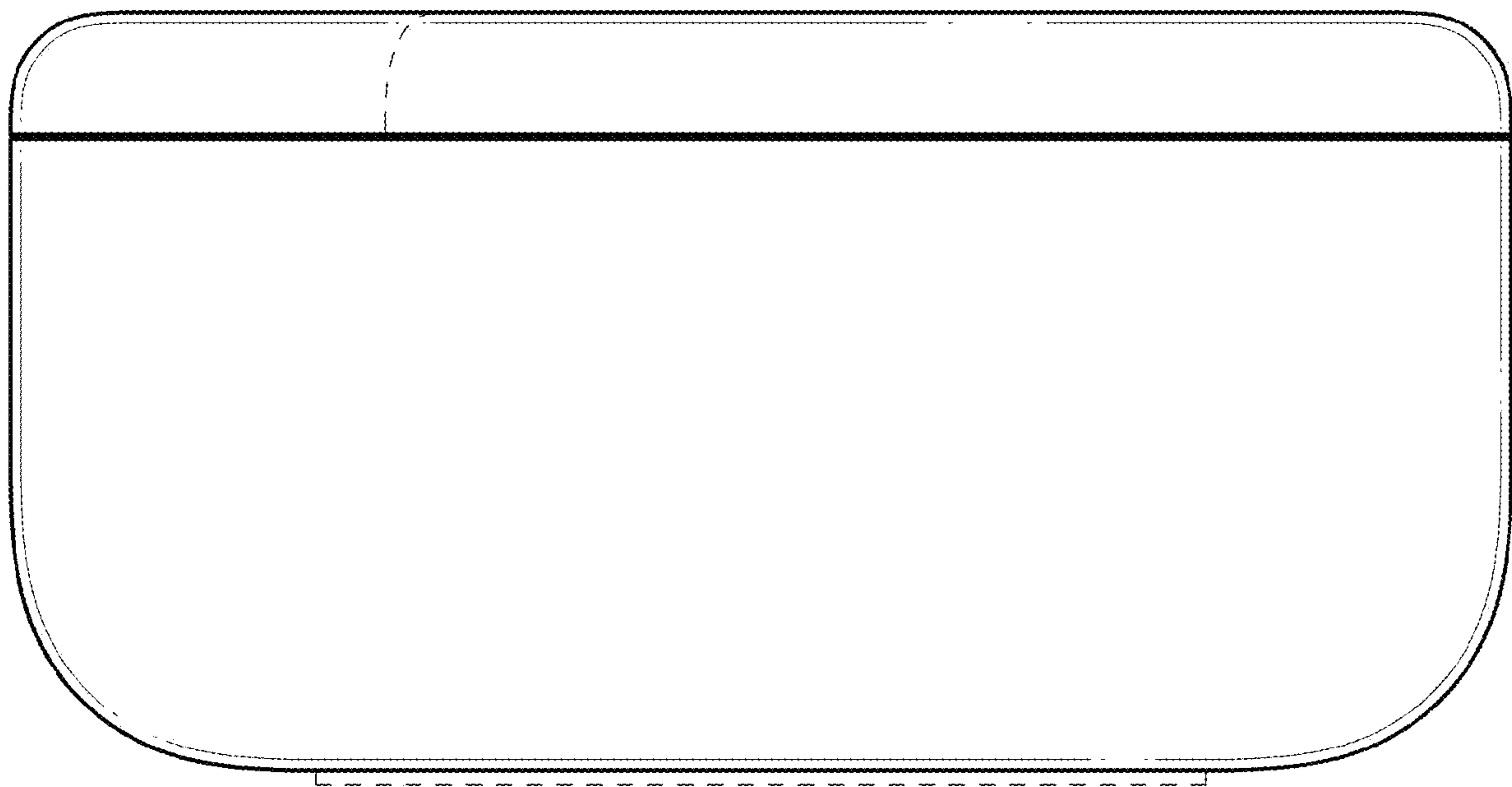


FIG. 3

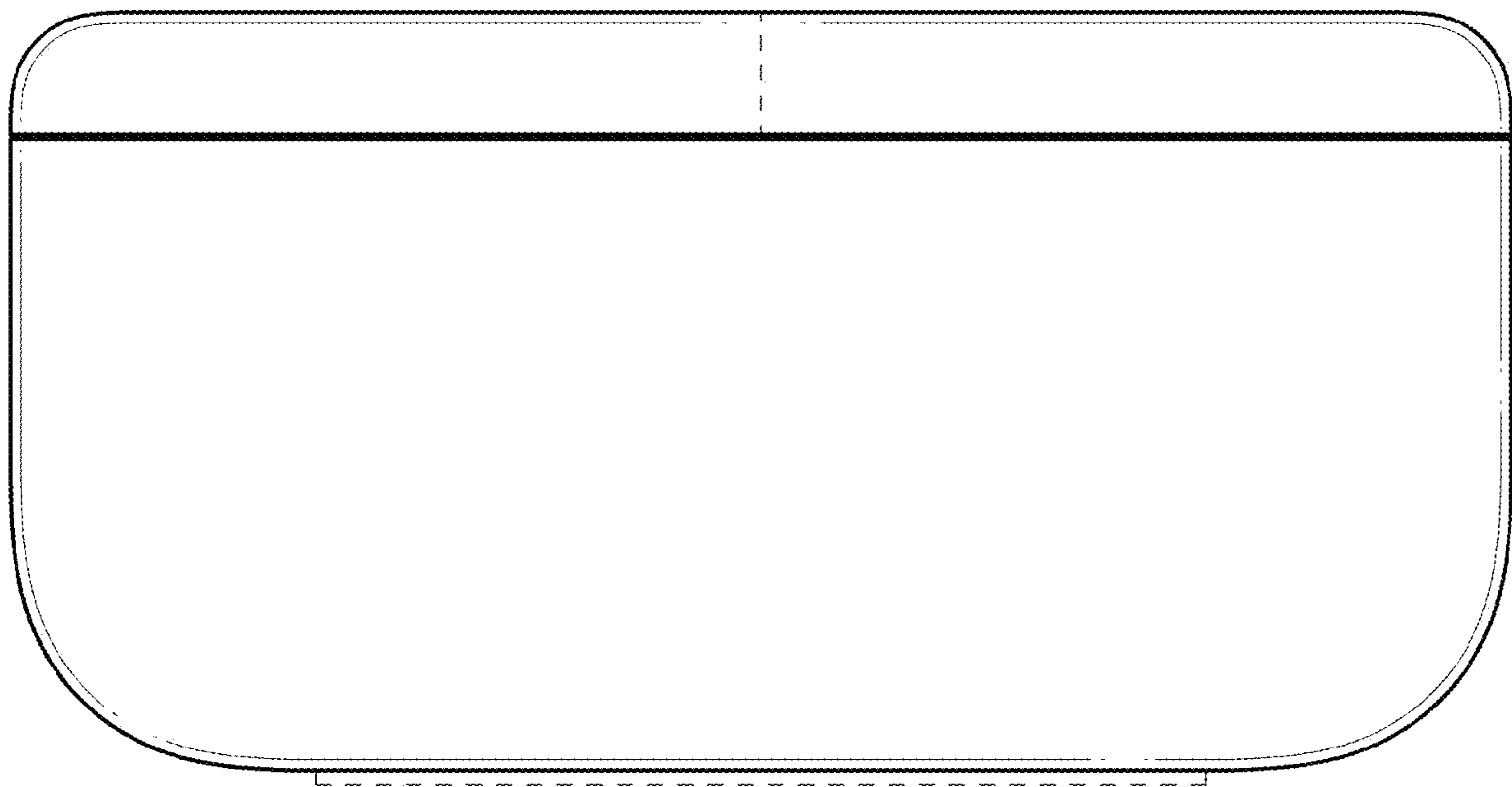


FIG. 4

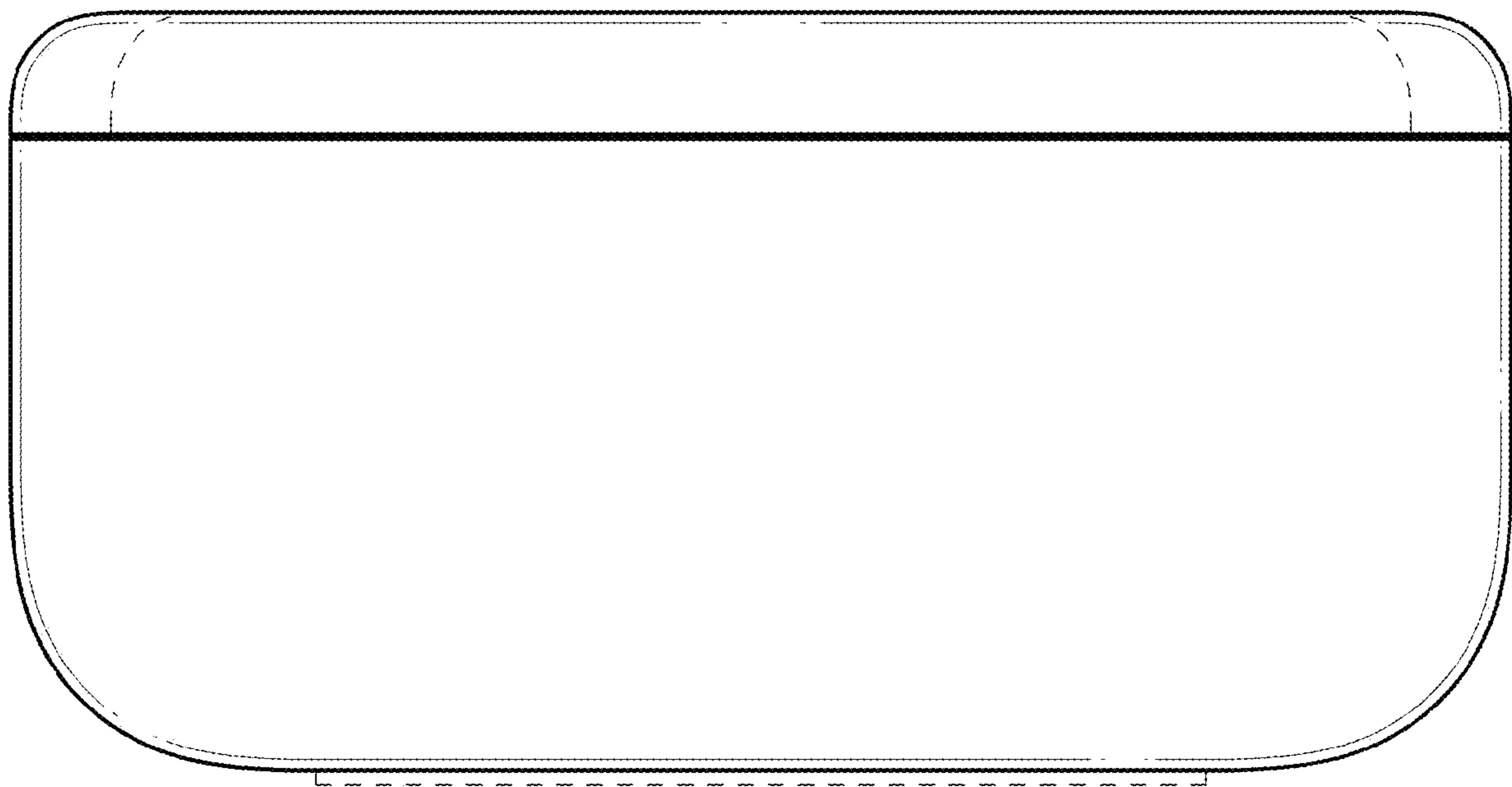


FIG. 5

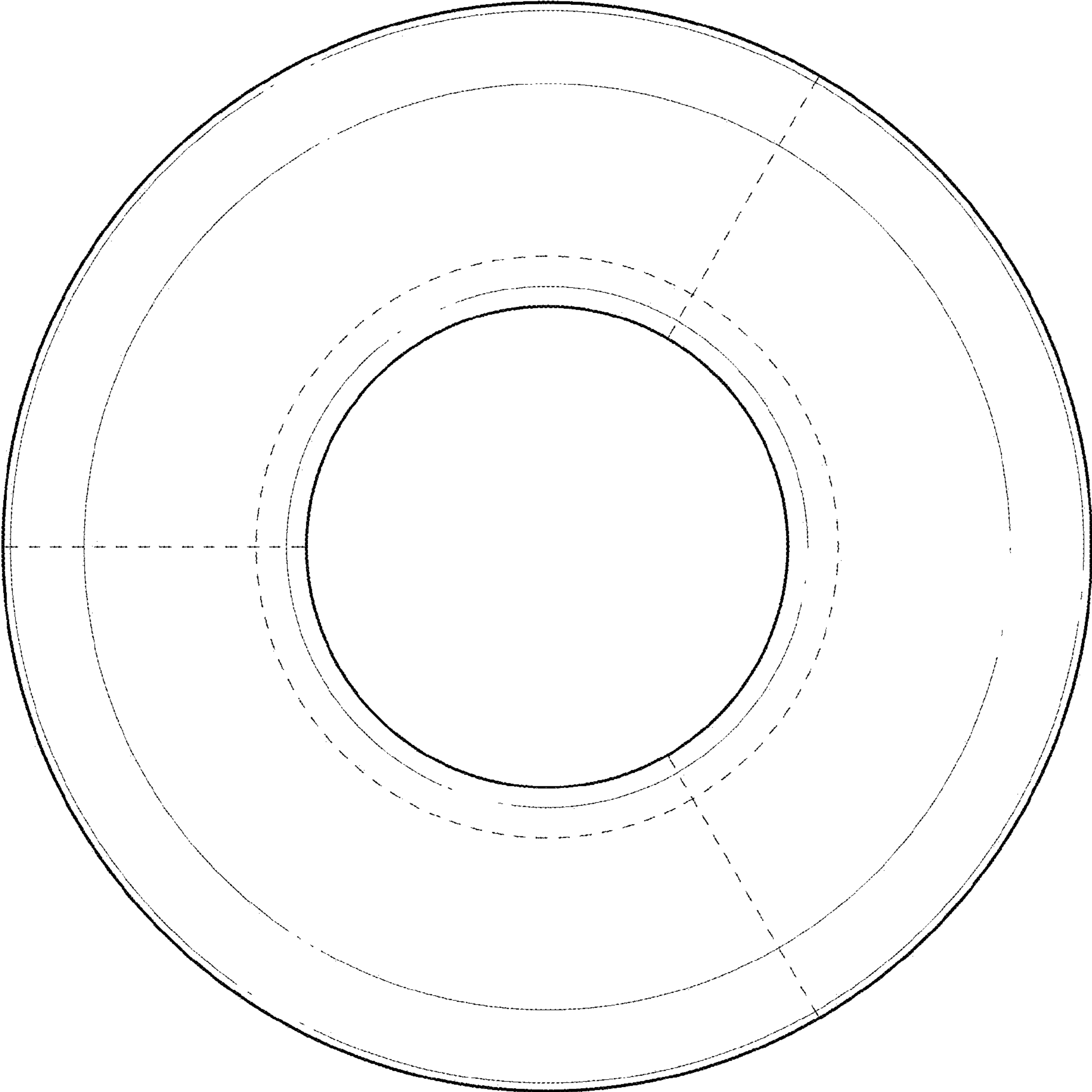


FIG. 6

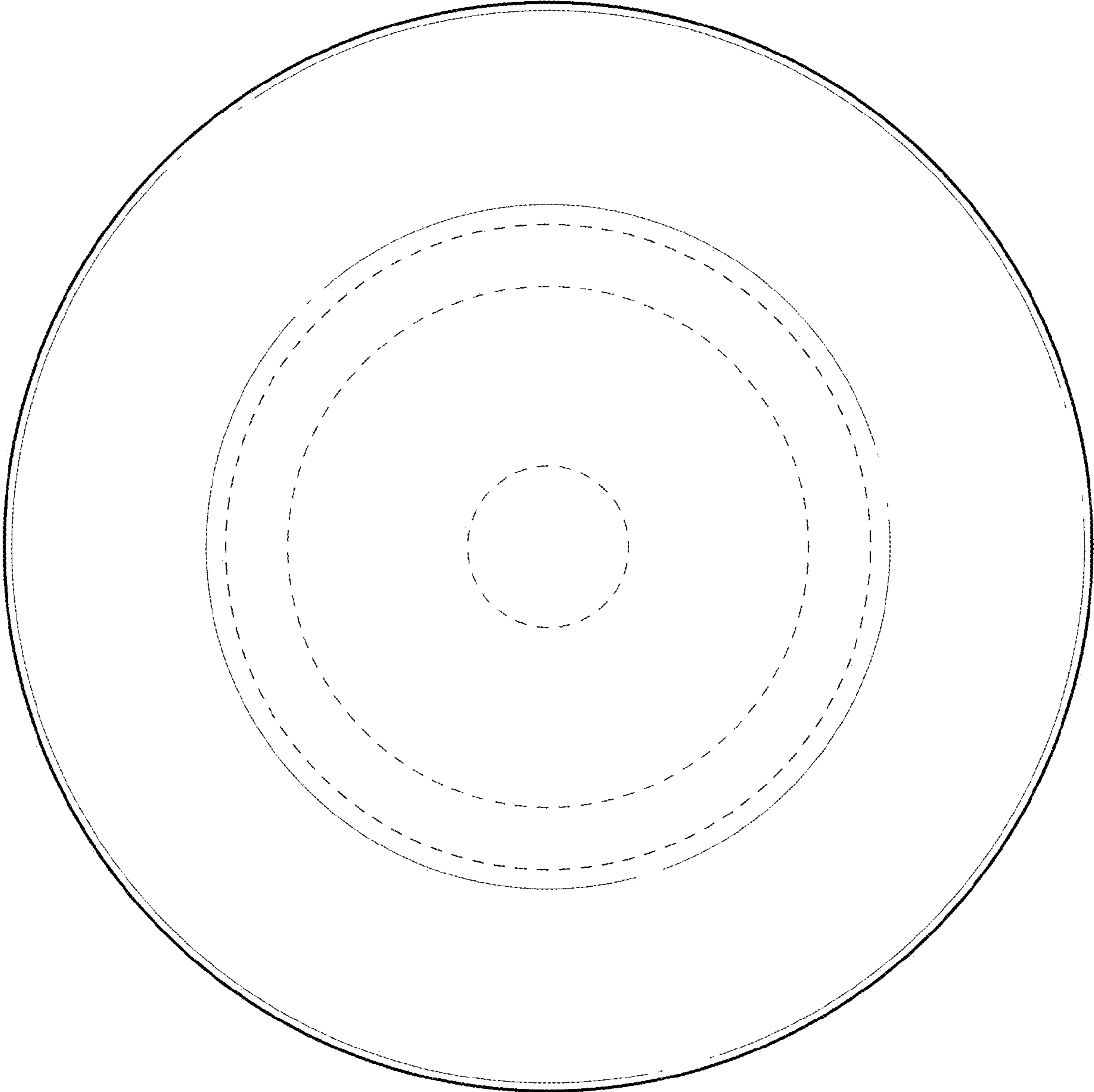


FIG. 7

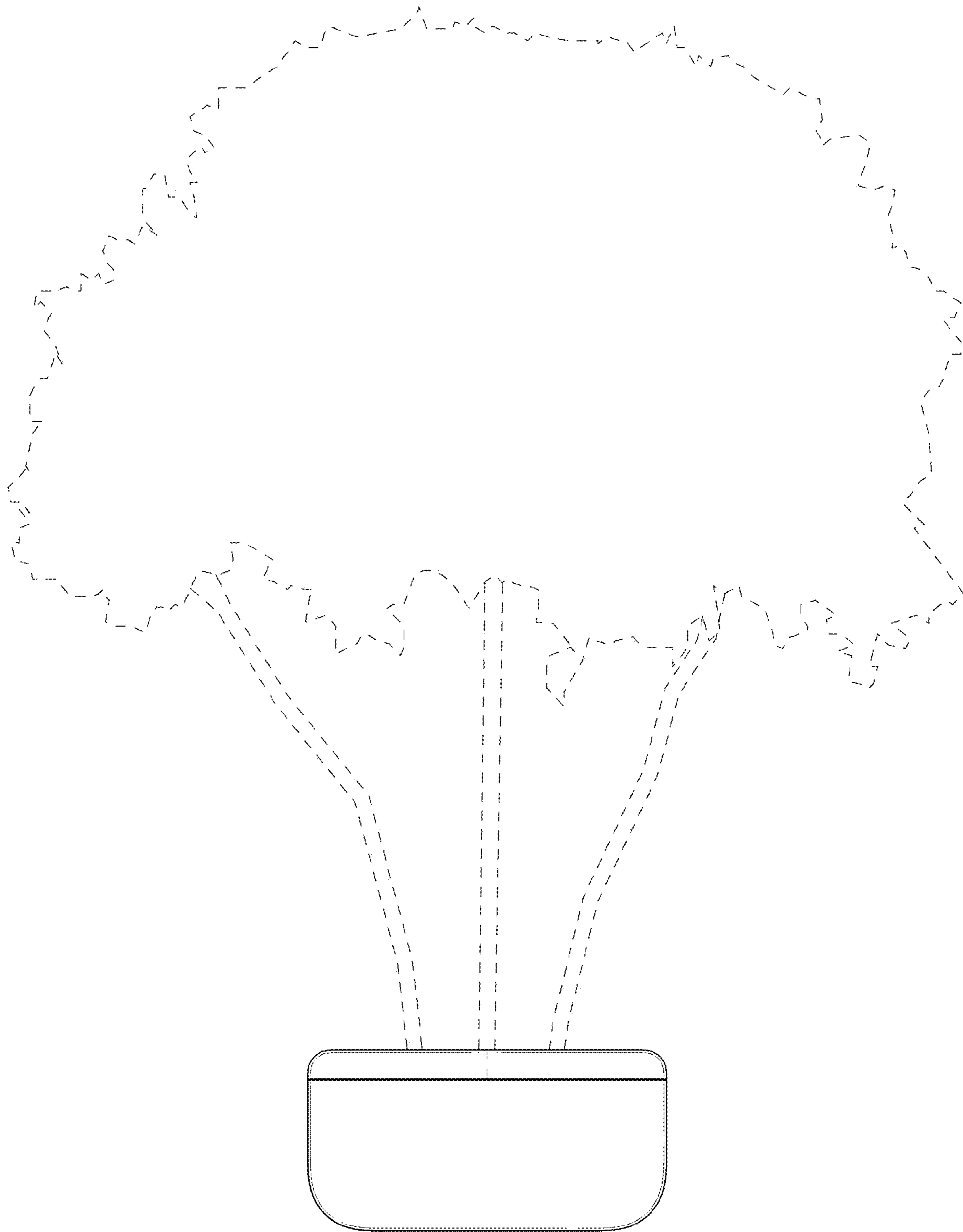


FIG. 8