



US00D947054S

(12) **United States Design Patent**  
**Xu**

(10) **Patent No.:** **US D947,054 S**  
(45) **Date of Patent:** **\*\* Mar. 29, 2022**

(54) **WIND CHIME**  
(71) Applicant: **Guanghua Xu**, Jingzhou (CN)  
(72) Inventor: **Guanghua Xu**, Jingzhou (CN)  
(\*\*) Term: **15 Years**  
(21) Appl. No.: **29/773,452**  
(22) Filed: **Mar. 9, 2021**  
(51) **LOC (13) Cl.** ..... **10-05**  
(52) **U.S. Cl.**  
USPC ..... **D10/118.1**  
(58) **Field of Classification Search**  
USPC ..... D10/118.1, 116.1  
CPC ..... G10D 13/08; F21V 23/0471; G10K 1/26;  
G10K 1/066  
See application file for complete search history.

D573,912 S 7/2008 Buckhorn  
D684,081 S 6/2013 Prestage  
9,024,161 B1 \* 5/2015 Strong ..... G10K 1/26  
84/403  
D799,357 S 10/2017 Friess  
10,062,365 B2 \* 8/2018 Finigan ..... F21V 23/0471  
10,847,132 B1 \* 11/2020 Miller ..... G10D 13/08  
D910,472 S \* 2/2021 Xu ..... D10/116.1  
D918,755 S \* 5/2021 Ouyang ..... D10/116.1  
D927,041 S \* 8/2021 Sun ..... D26/84

\* cited by examiner

*Primary Examiner* — George D. Kirschbaum

(57) **CLAIM**

The ornamental design for a wind chime, as shown and described.

**DESCRIPTION**

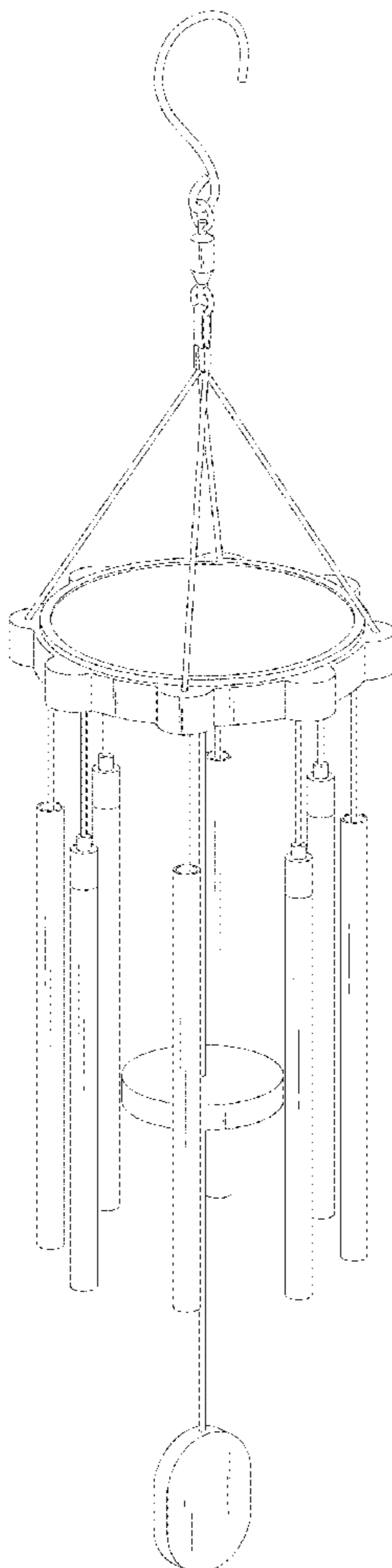
FIG. 1 is a perspective view of a wind chime showing my new design;  
FIG. 2 is a top view thereof;  
FIG. 3 is a back view thereof;  
FIG. 4 is a left side view thereof;  
FIG. 5 is a front view thereof;  
FIG. 6 is a right side view thereof; and,  
FIG. 7 is a bottom view thereof.

(56) **References Cited**

**U.S. PATENT DOCUMENTS**

D250,455 S \* 12/1978 Mohrhauser ..... D10/116.1  
4,854,214 A \* 8/1989 Lowe ..... G10K 1/066  
84/404

**1 Claim, 7 Drawing Sheets**



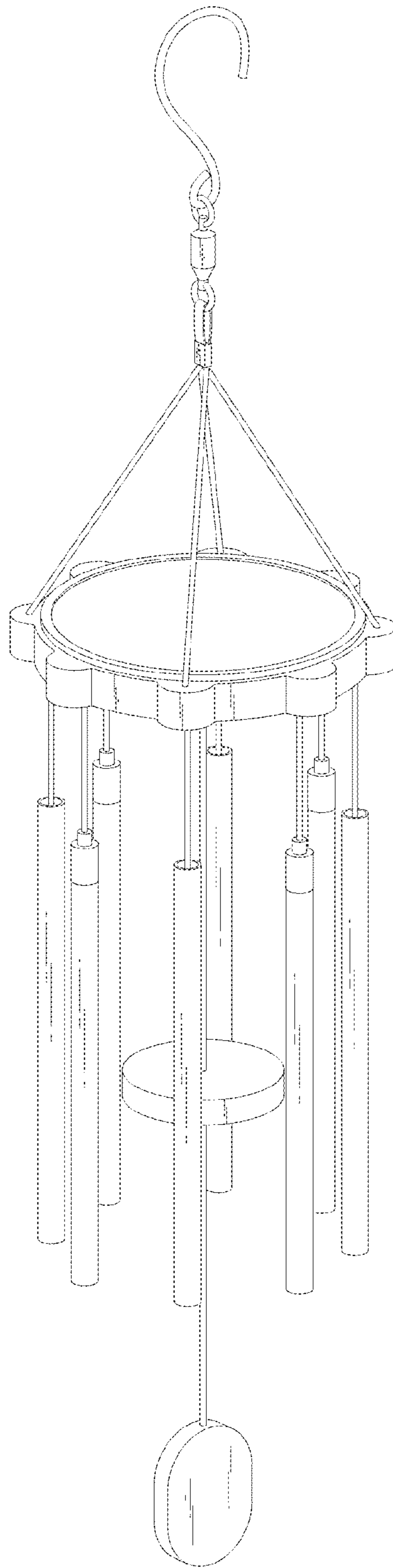


FIG. 1

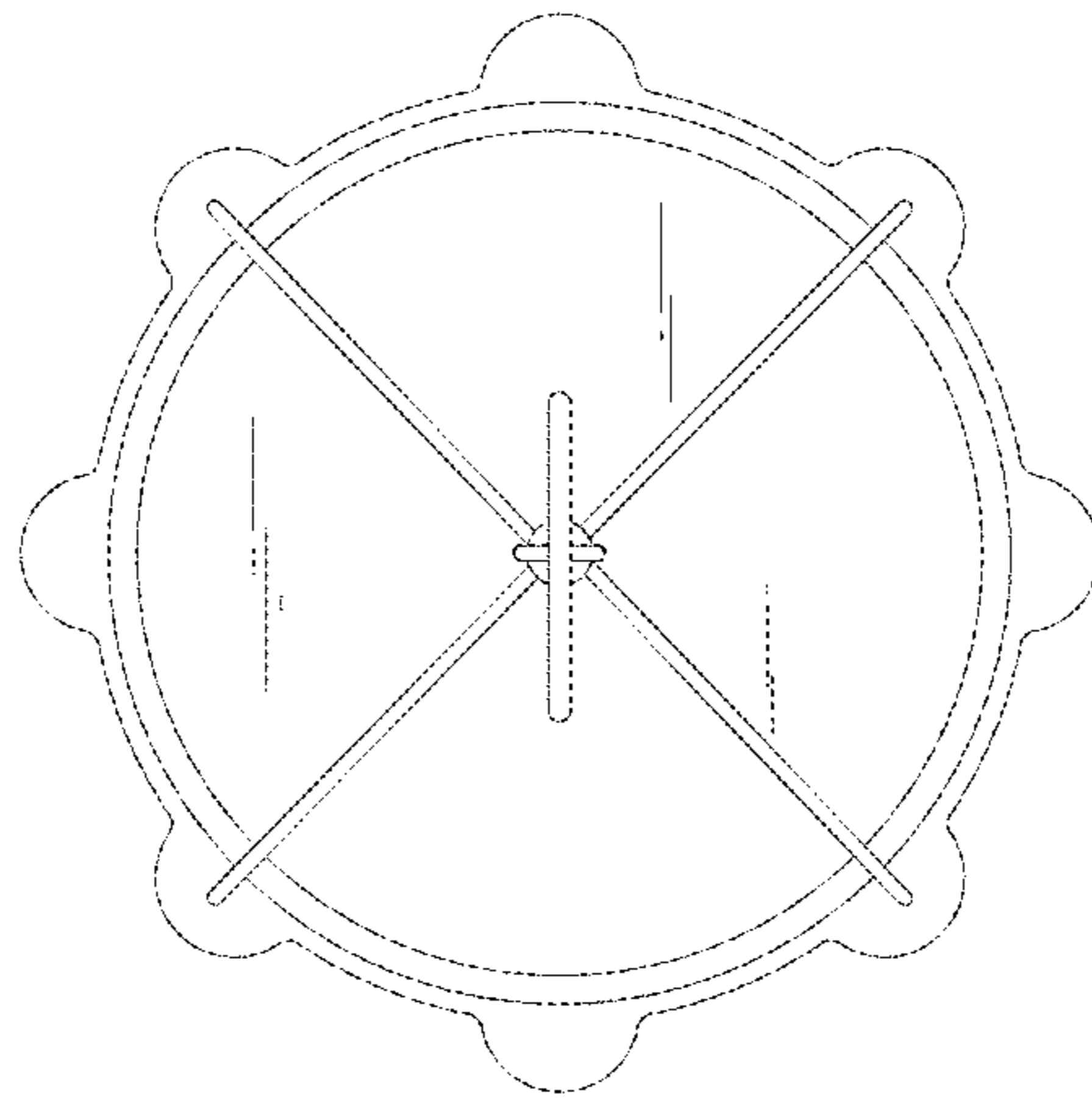


FIG. 2

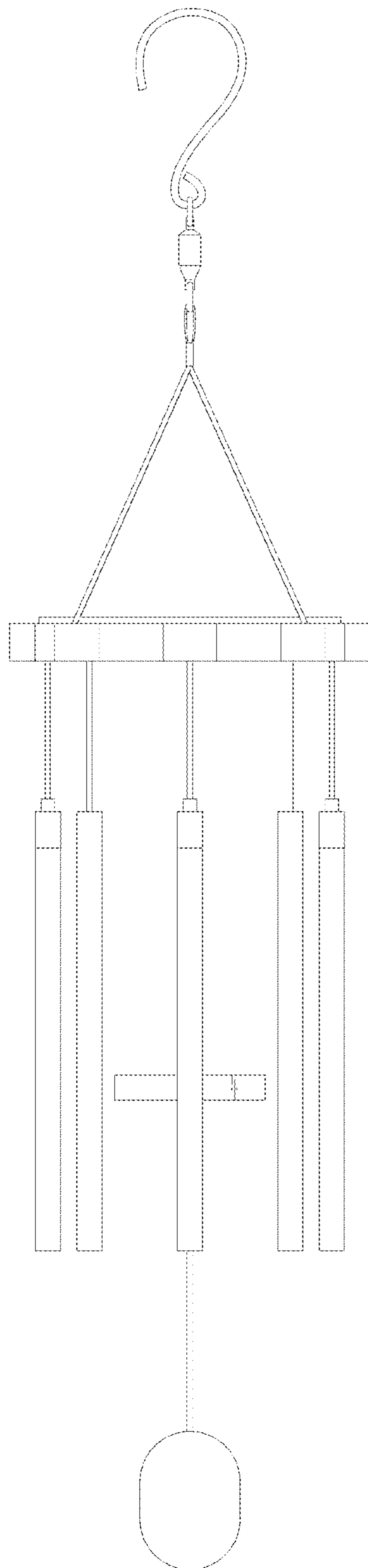


FIG. 3

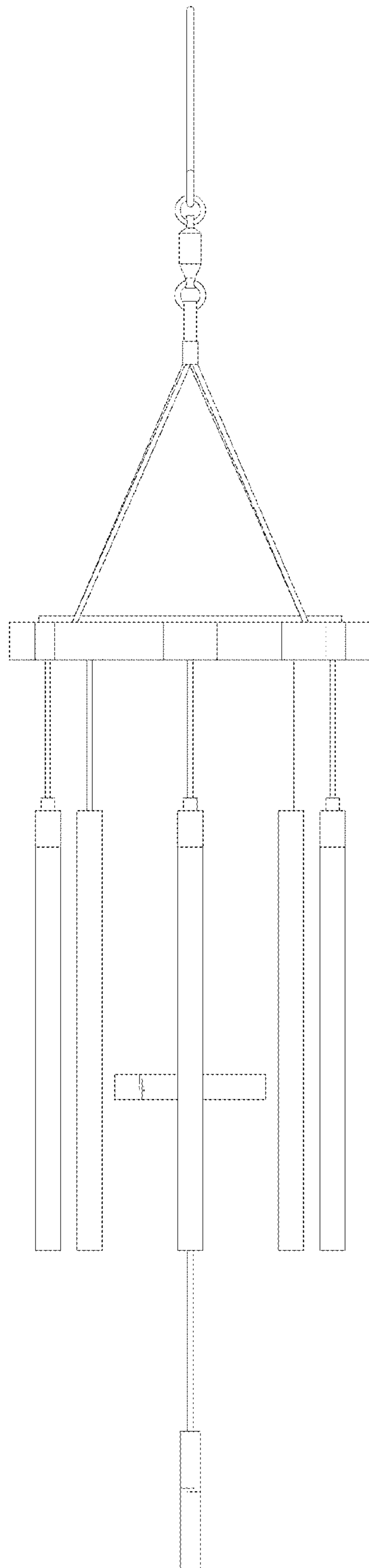


FIG. 4

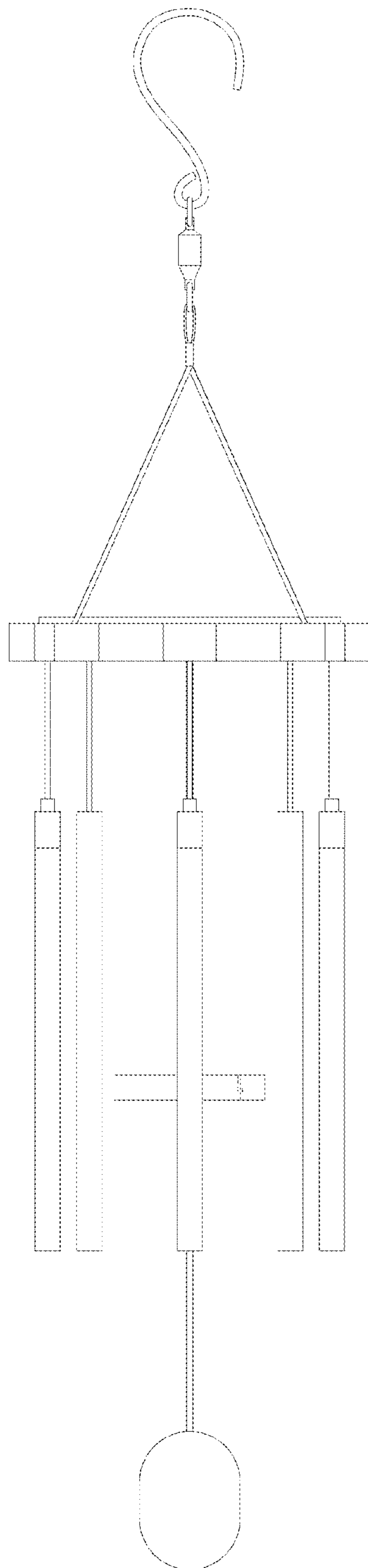


FIG. 5

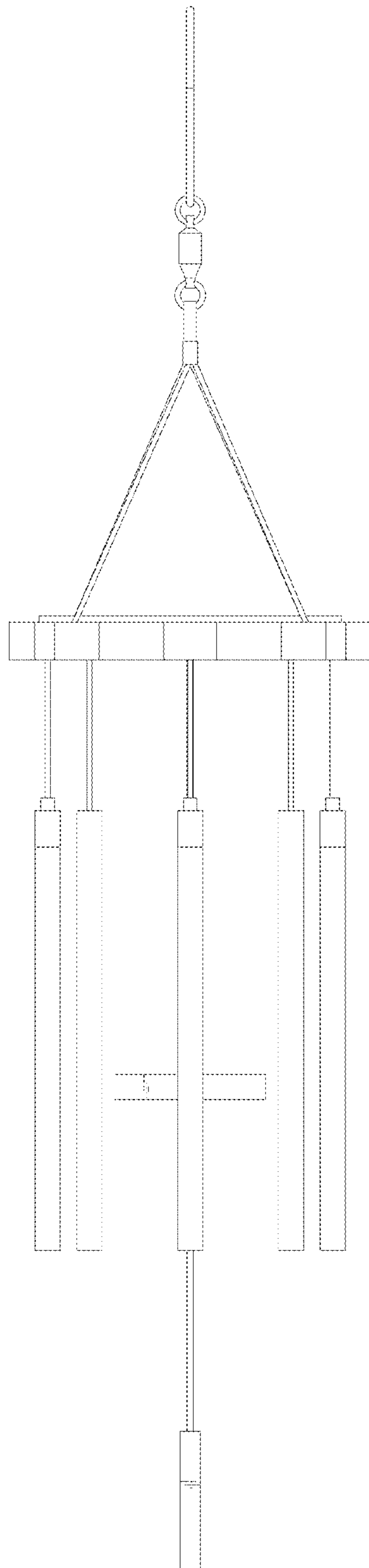


FIG. 6

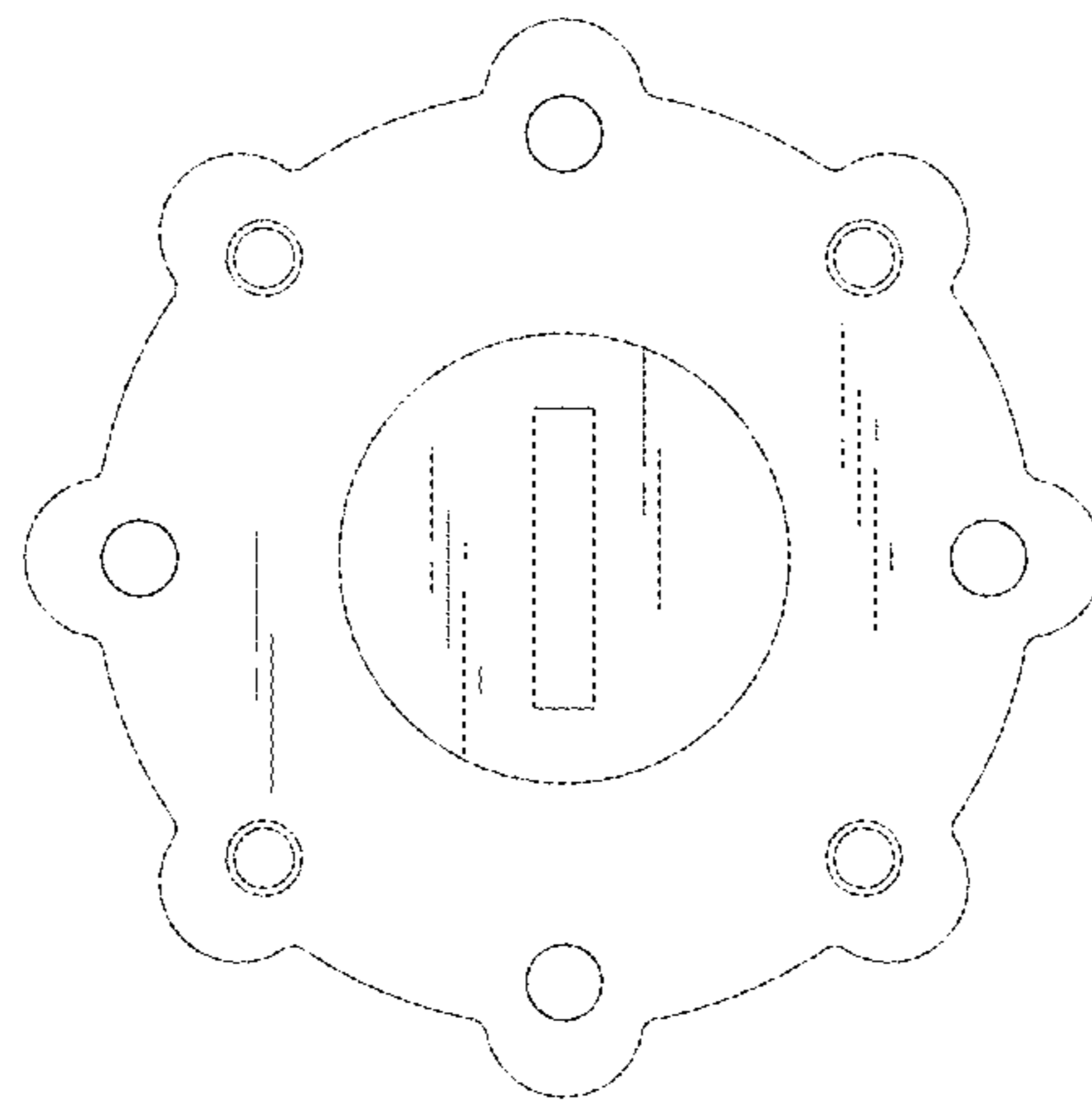


FIG. 7