



US00D947052S

(12) **United States Design Patent**  
**Gilley**

(10) **Patent No.:** **US D947,052 S**

(45) **Date of Patent:** **\*\* Mar. 29, 2022**

(54) **DIGITAL MANIFOLD**

(71) Applicant: **Fieldpiece Instruments, Inc.**, Orange, CA (US)

(72) Inventor: **Jason Corbett Gilley**, Orange, CA (US)

(73) Assignee: **Fieldpiece Instruments, Inc.**, Orange, CA (US)

(\*\*) Term: **15 Years**

(21) Appl. No.: **29/731,476**

(22) Filed: **Apr. 15, 2020**

**Related U.S. Application Data**

(62) Division of application No. 29/683,676, filed on Mar. 14, 2019, now Pat. No. Des. 891,279.

(51) **LOC (13) Cl.** ..... **10-04**

(52) **U.S. Cl.**  
USPC ..... **D10/96**

(58) **Field of Classification Search**  
USPC ..... D10/96  
CPC ..... G06K 9/00369; F04B 49/065  
See application file for complete search history.

(56) **References Cited**

**U.S. PATENT DOCUMENTS**

D709,394 S \* 7/2014 Ruoff ..... D10/96  
9,122,920 B1 \* 9/2015 Sacerio ..... F04B 49/065

\* cited by examiner

*Primary Examiner* — Antoine Duval Davis

(74) *Attorney, Agent, or Firm* — Paul J. Backofen, Esq.

(57) **CLAIM**

The ornamental design for digital manifold, as shown and described.

**DESCRIPTION**

The file of this patent contains at least one drawing executed in color. Copies of this patent with color drawing(s) will be provided by the Office upon request and payment of the necessary fee.

FIG. 1 is a front elevation view of a 4-port digital manifold showing our new design.

FIG. 2 is a rear elevation view thereof.

FIG. 3 is a left side elevation view thereof.

FIG. 4 is a right side elevation view thereof.

FIG. 5 is a top plan view thereof.

FIG. 6 is a bottom plan view thereof.

FIG. 7 is a rear elevation view thereof with the support hook extended.

FIG. 8 is a right side elevation view thereof with the support hook extended.

FIG. 9 is a right-front perspective view thereof; and,

FIG. 10 is a left-rear perspective view thereof.

**1 Claim, 4 Drawing Sheets**  
**(4 of 4 Drawing Sheet(s) Filed in Color)**

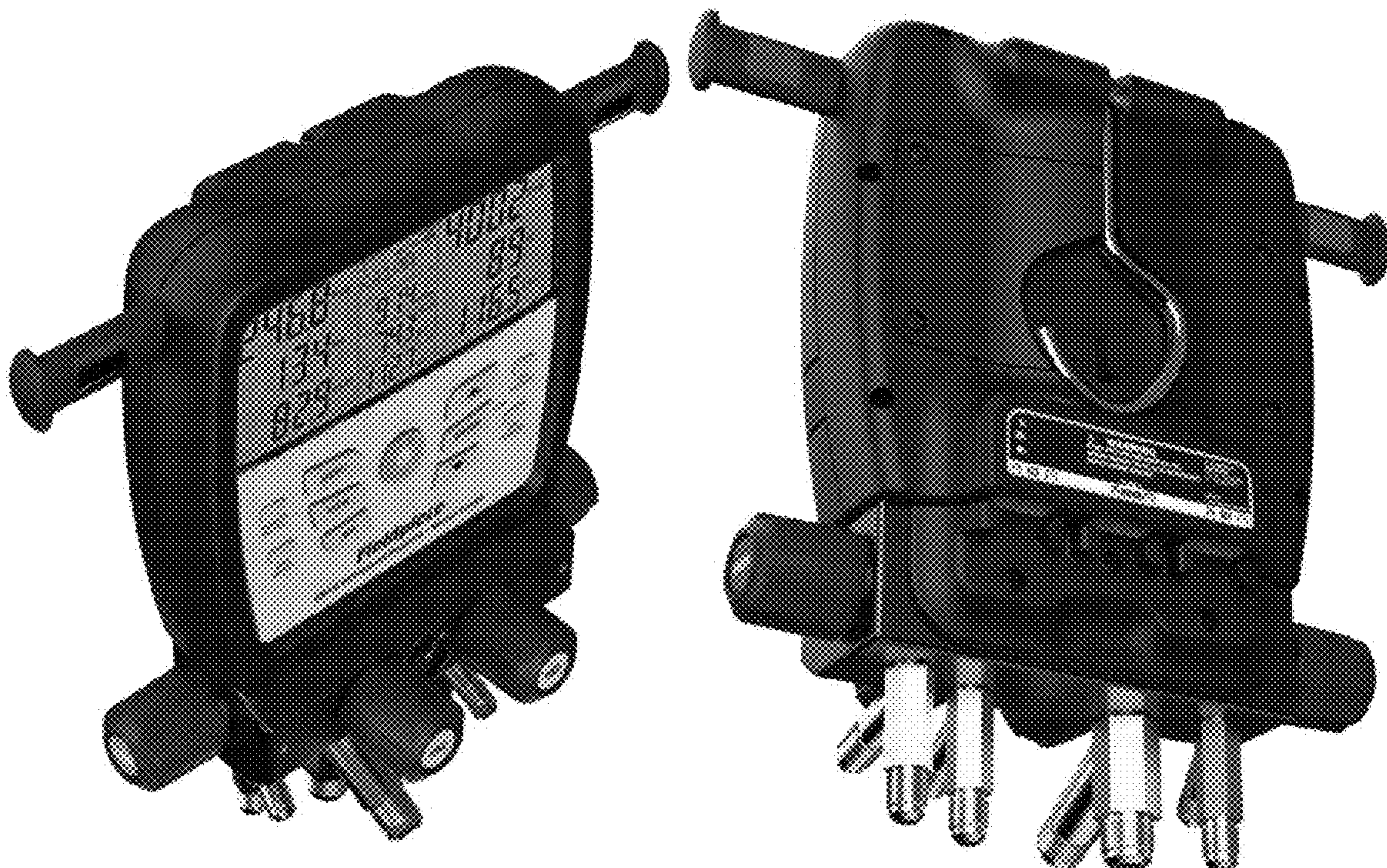


Fig. 1



Fig. 2



Fig. 3

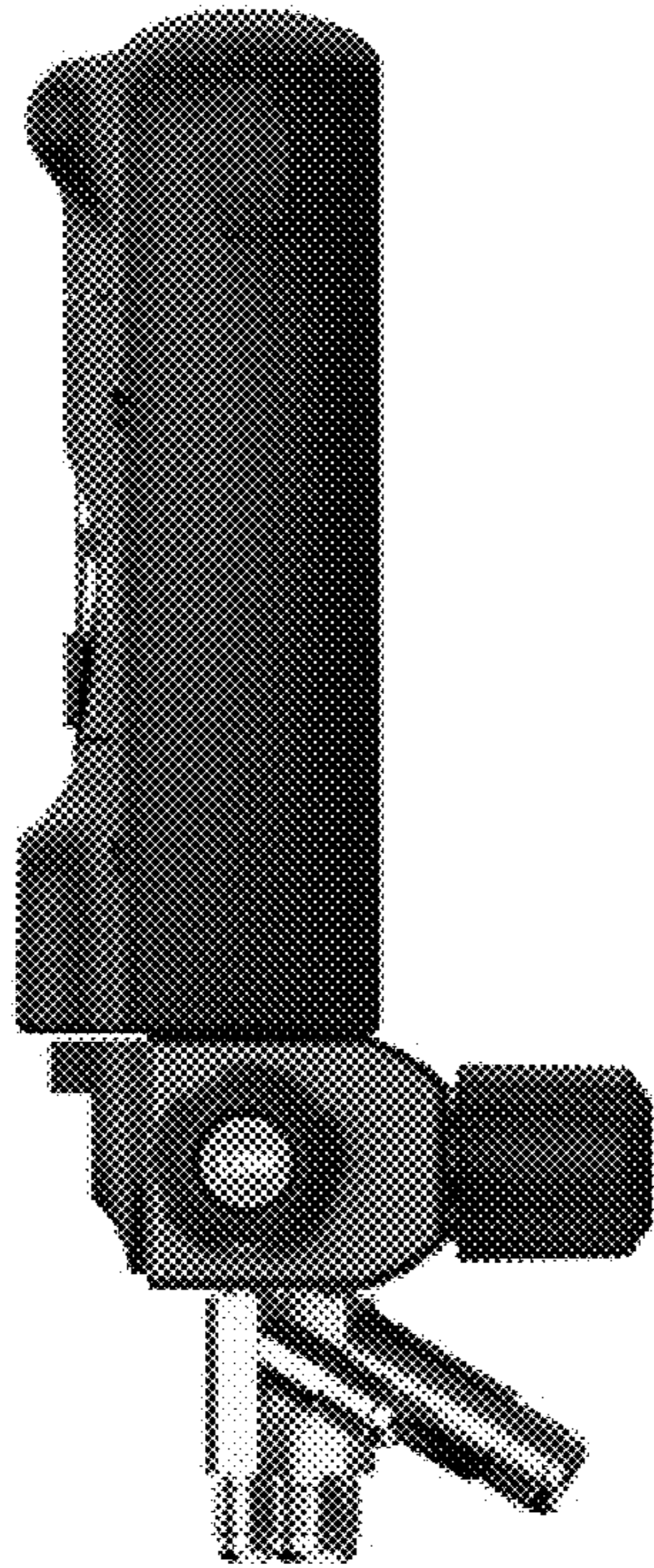


Fig. 4

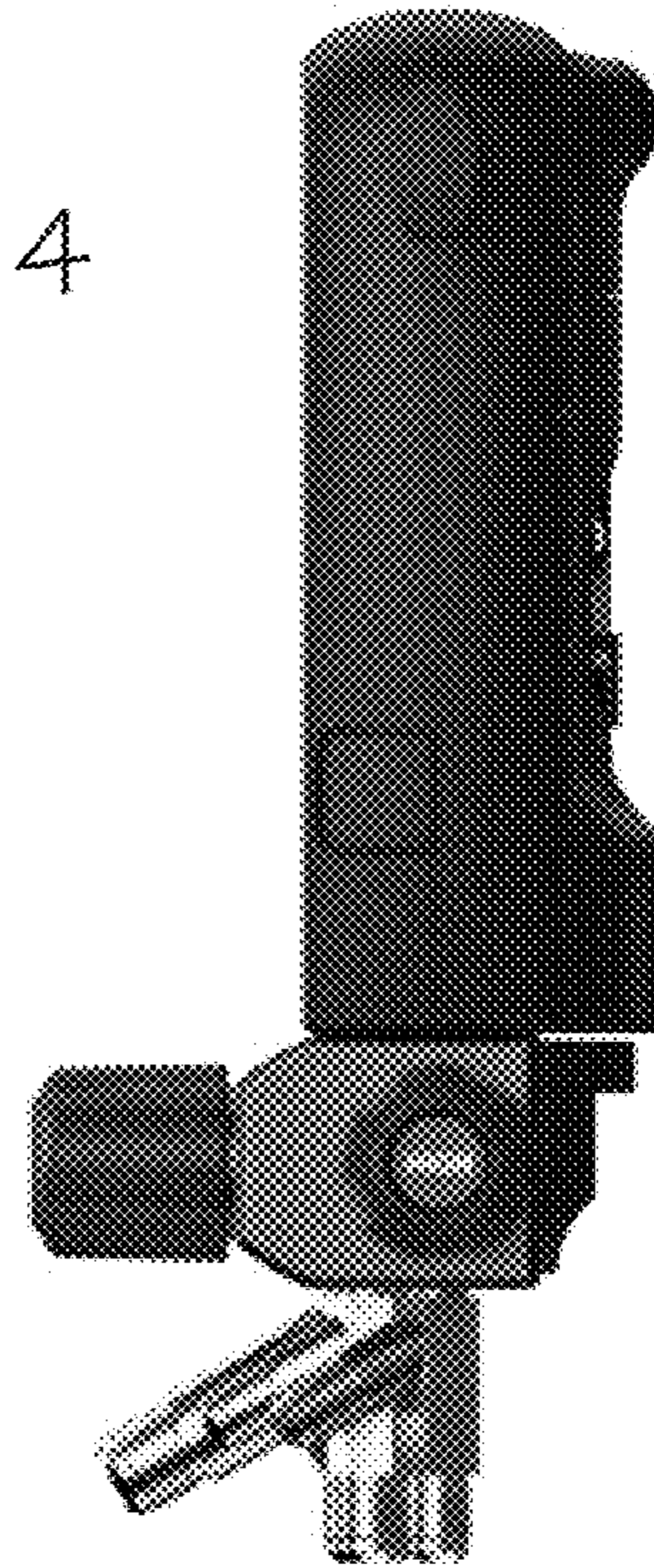


Fig. 5

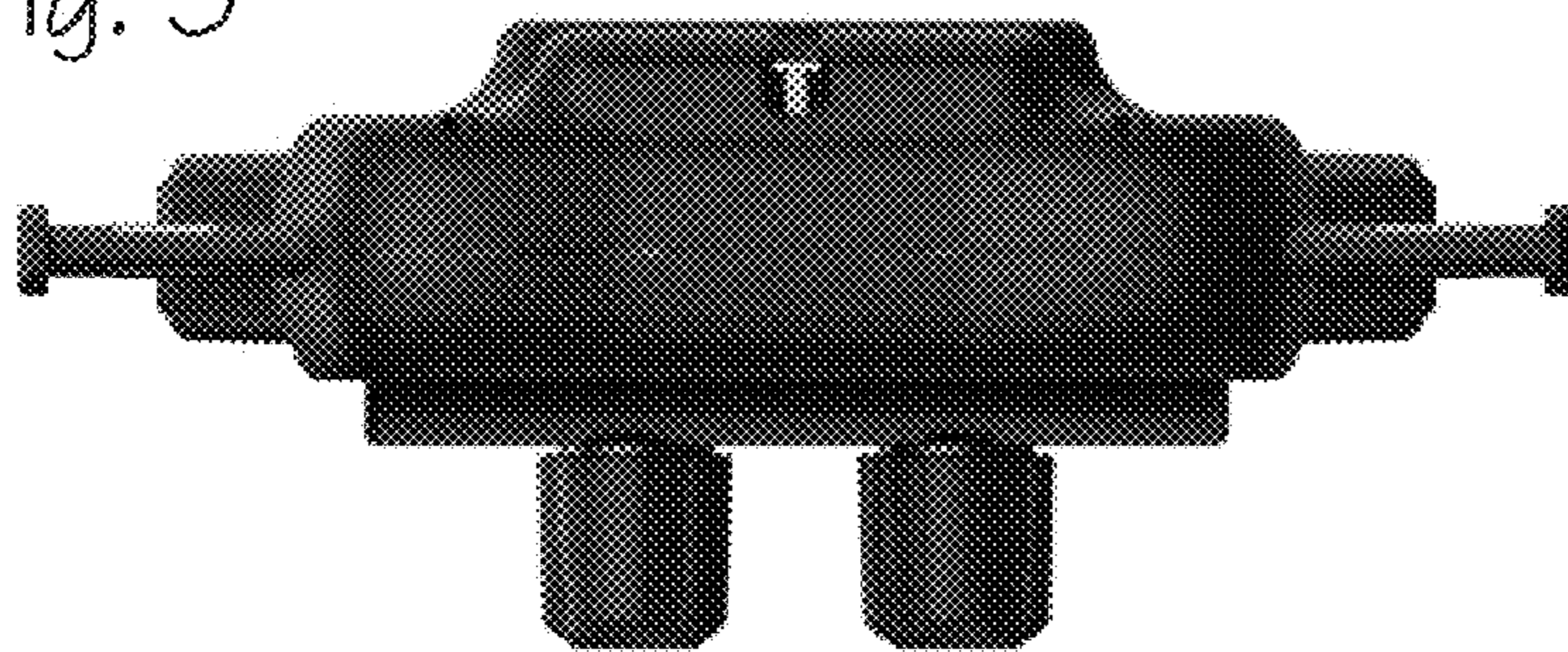


Fig. 6

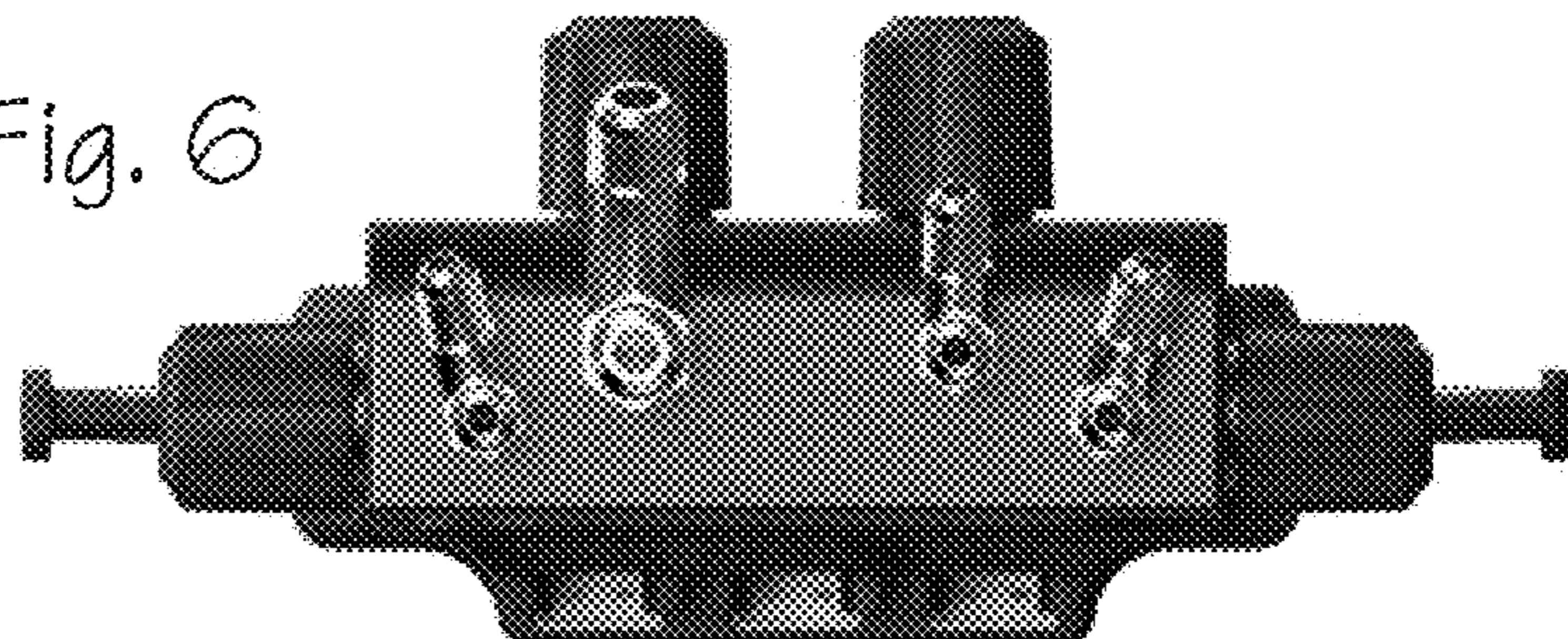


Fig. 7



Fig. 8

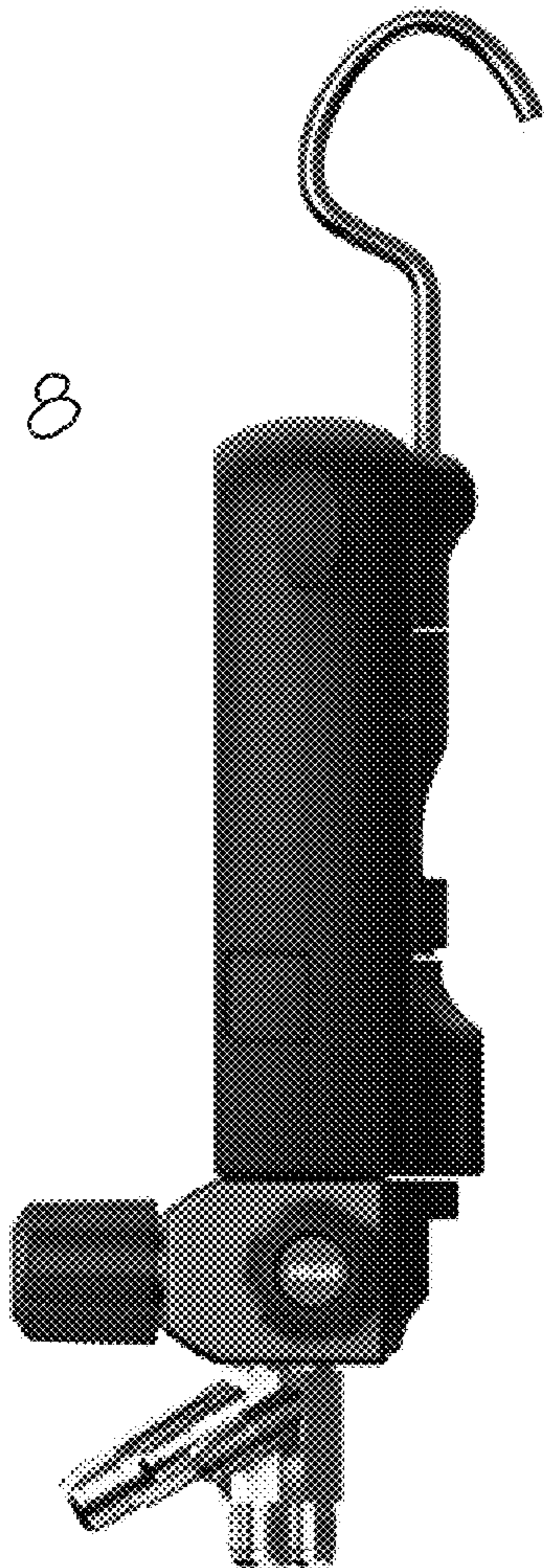


Fig. 9



Fig. 10

