



US00D947051S

(12) **United States Design Patent** (10) **Patent No.:** **US D947,051 S**  
**Shen** (45) **Date of Patent:** **\*\* Mar. 29, 2022**

(54) **WATER METER**

G01N 29/22; G01N 29/222; G01N 2291/2836; G01N 2291/044

(71) Applicant: **Spire Metering Technology LLC**,  
Marlborough, MA (US)

See application file for complete search history.

(72) Inventor: **Chang Shen**, Acton, MA (US)

(56) **References Cited**

(73) Assignee: **SPIRE METERING TECHNOLOGY LLC**, Marlborough, MA (US)

U.S. PATENT DOCUMENTS

(\*\*) Term: **15 Years**

D562,168	S	*	2/2008	Johnson	.....	D10/96
D604,647	S	*	11/2009	Mizutori	.....	D10/96
10,295,387	B2	*	5/2019	Bonomi	.....	F16K 37/005
D856,835	S	*	8/2019	Ehrlich	.....	D10/96
D902,061	S	*	11/2020	Dabule	.....	D10/99
2020/0141781	A1	*	5/2020	Chen	.....	G01F 1/05
2020/0386590	A1	*	12/2020	Stuyvenberg	.....	G01F 15/00

(21) Appl. No.: **29/706,439**

\* cited by examiner

(22) Filed: **Sep. 20, 2019**

(51) **LOC (13) Cl.** ..... **10-04**

*Primary Examiner* — Antoine Duval Davis

(52) **U.S. Cl.**

(74) *Attorney, Agent, or Firm* — Kriegsmann & Kriegsmann

USPC ..... **D10/96**; D10/99

(58) **Field of Classification Search**

(57) **CLAIM**

USPC ..... D10/96, 99, 100

The ornamental design for a water meter, as shown and described.

CPC ..... G01F 1/662; G01F 15/06; G01F 15/061;

**DESCRIPTION**

G01F 15/063; G01F 15/065; G01F

FIG. 1 is a front perspective view of a water meter showing my new design;

15/066; G01F 15/068; G01F 1/40; G01F

FIG. 2 is a front view thereof;

1/42; G01F 1/44; G01F 1/46; G01F 1/74;

FIG. 3 is a rear view thereof;

G01F 11/003; G01F 11/006; G01F 3/00;

FIG. 4 is a right side view thereof;

G01F 3/02; G01F 3/04; G01F 3/06; G01F

FIG. 5 is a left side view thereof;

3/065; G01F 3/08; G01F 3/10; G01F

FIG. 6 is a top view thereof; and,

3/12; G01F 1/66; G01F 1/663; G01F

FIG. 7 is a bottom view thereof.

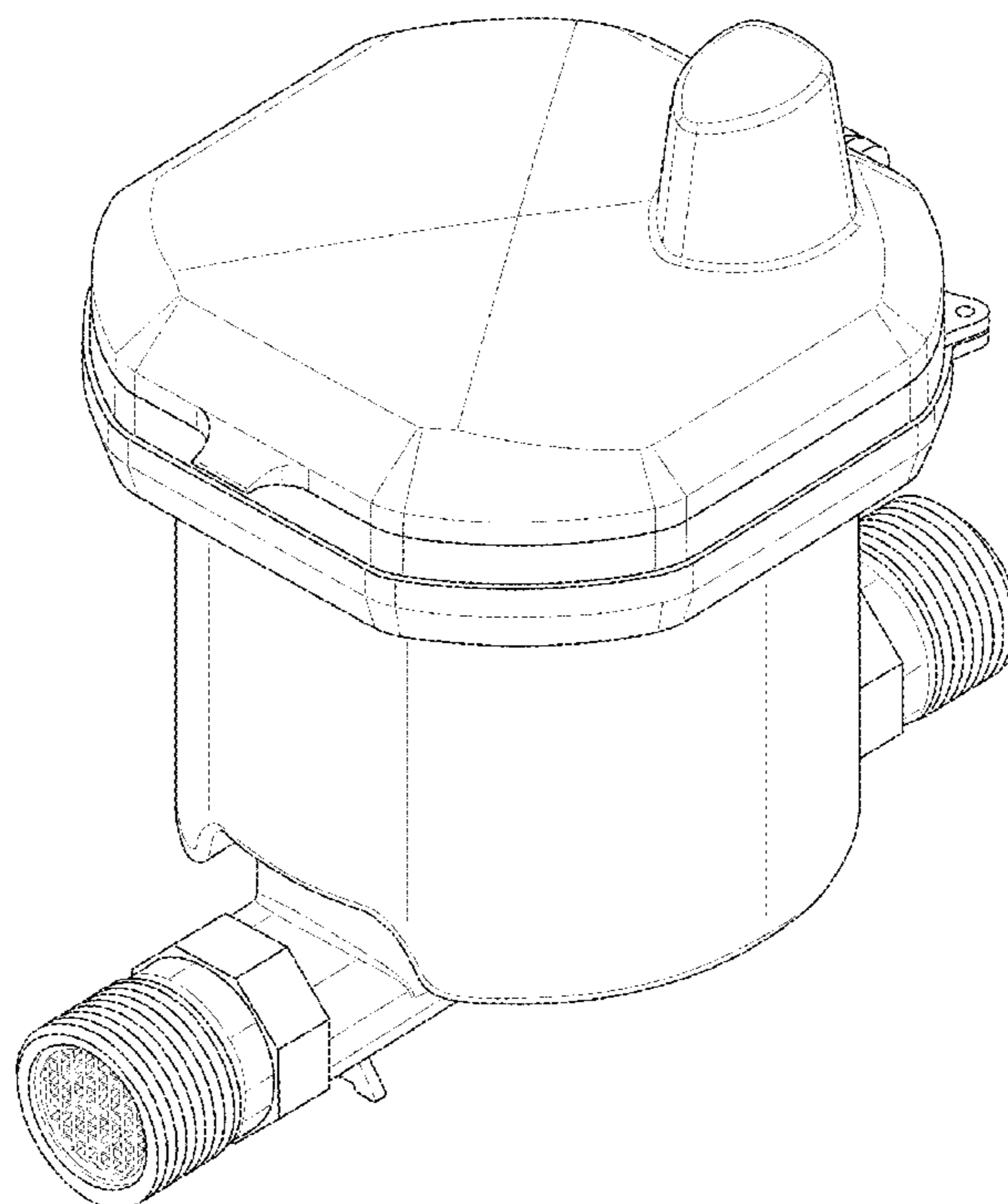
1/665; G01F 1/666; G01F 1/667; G01F

The broken lines shown in the figures represent portions of the water meter that form no part of the claimed design.

1/668; G01F 5/00; G01F 5/005; G01F

**1 Claim, 7 Drawing Sheets**

15/00; G01F 15/024; G01F 15/14; Y10T



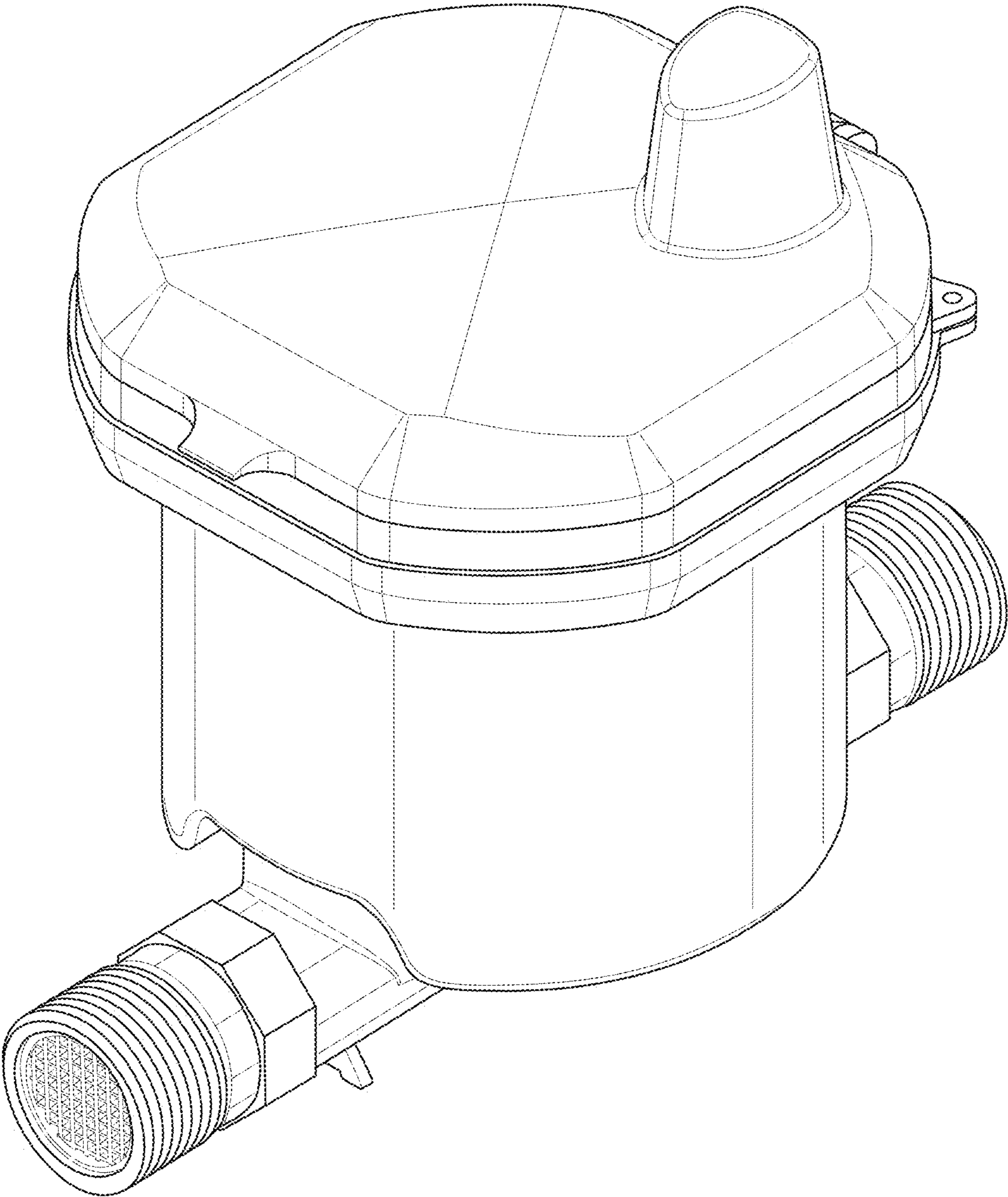
137/2224; Y10T 137/6851; G01N 21/03;

G01N 21/05; G01N 2021/0378; G01N

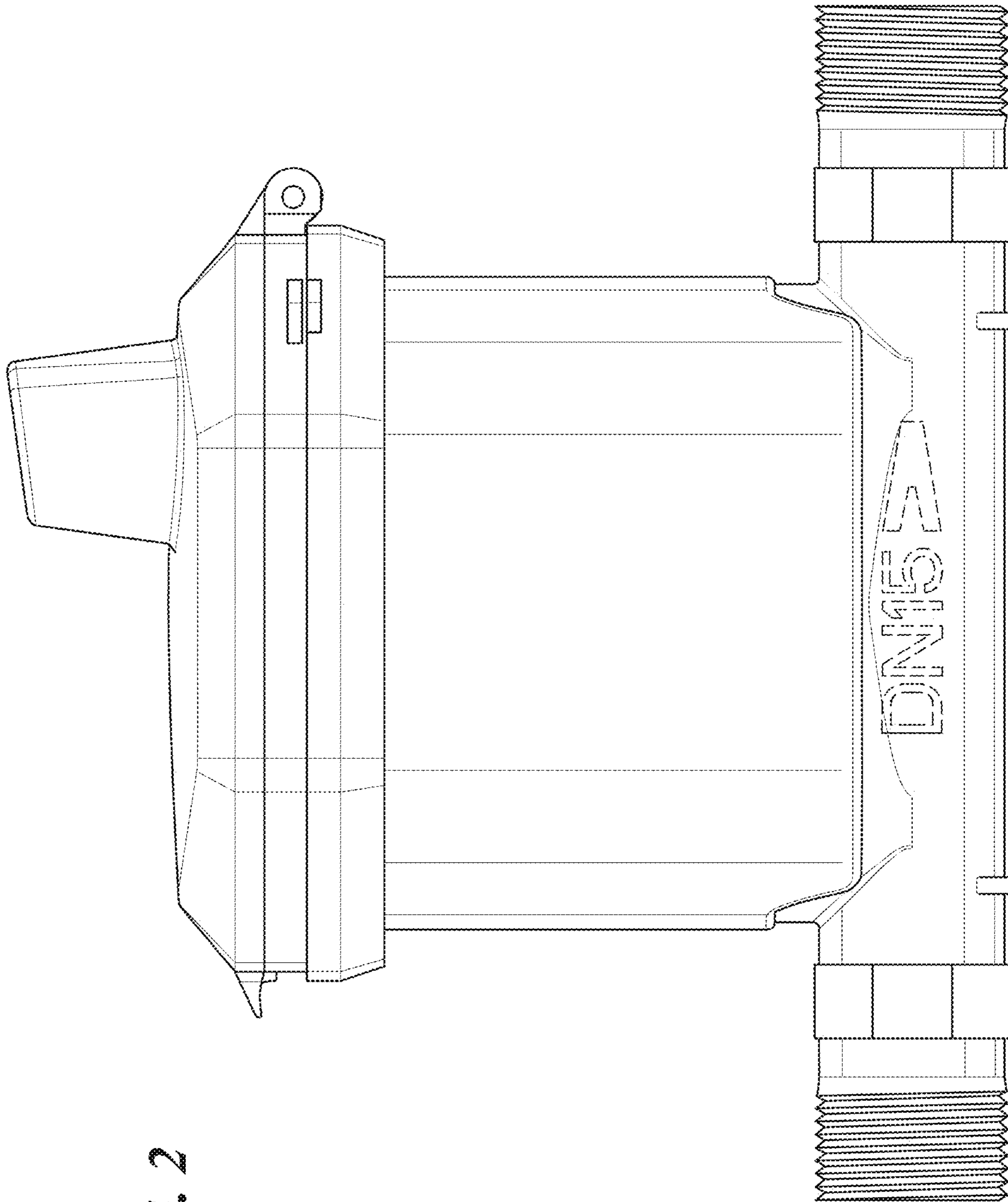
2021/0382; G01N 2021/052; G01N

2021/054; G01N 2021/056; G01N

2021/058; G01N 29/024; G01N 29/28;



**FIG. 1**



**FIG. 2**



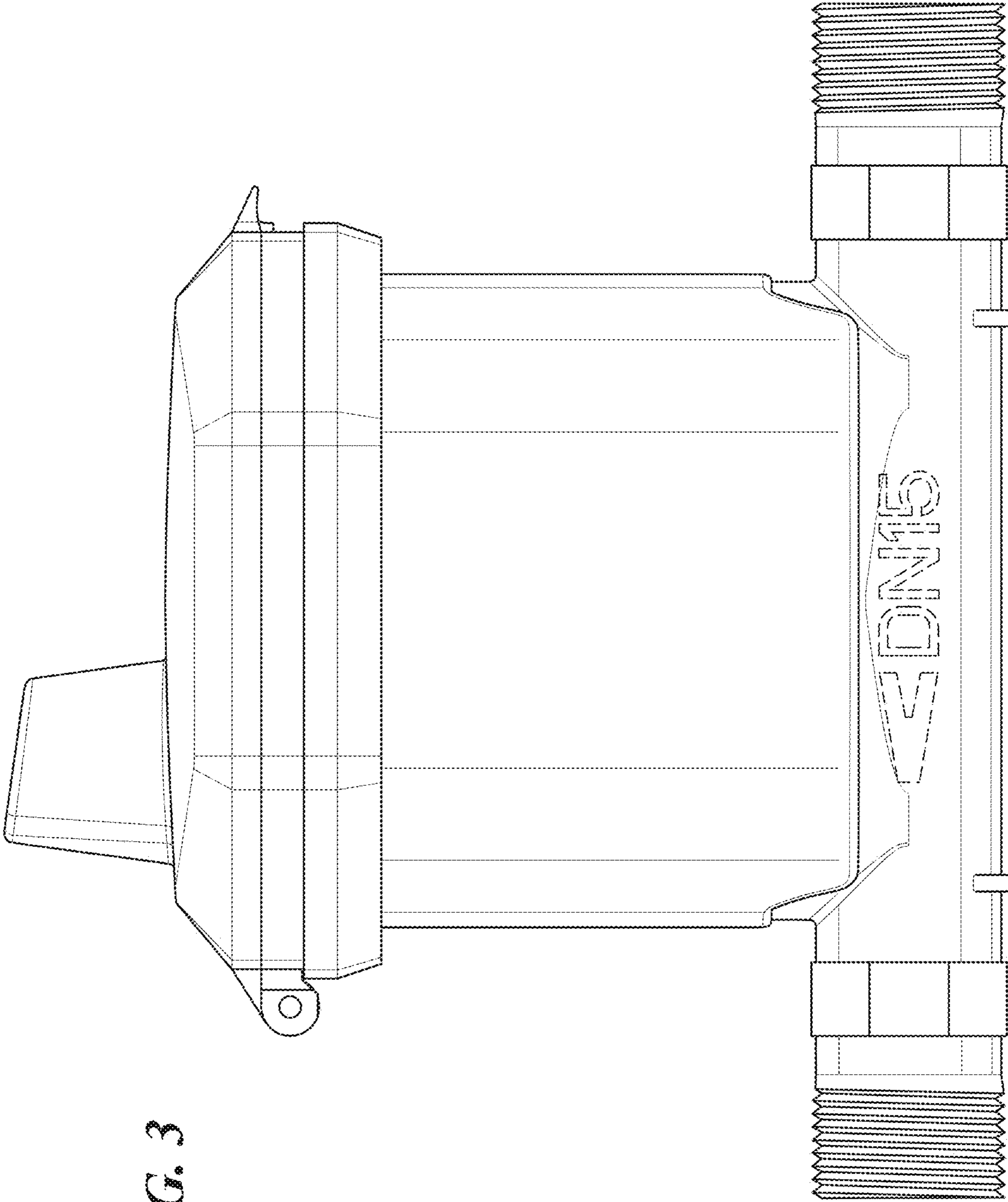
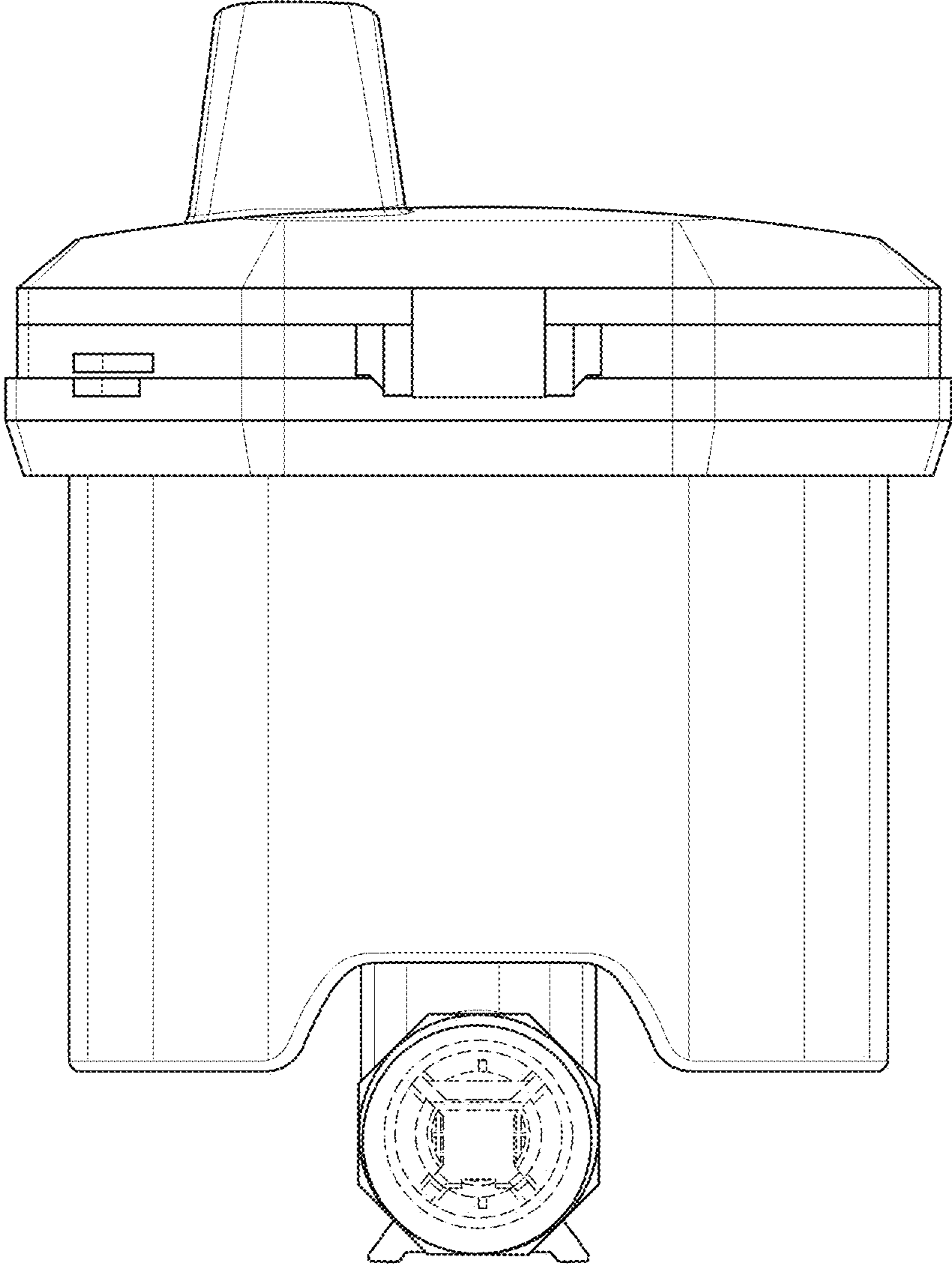
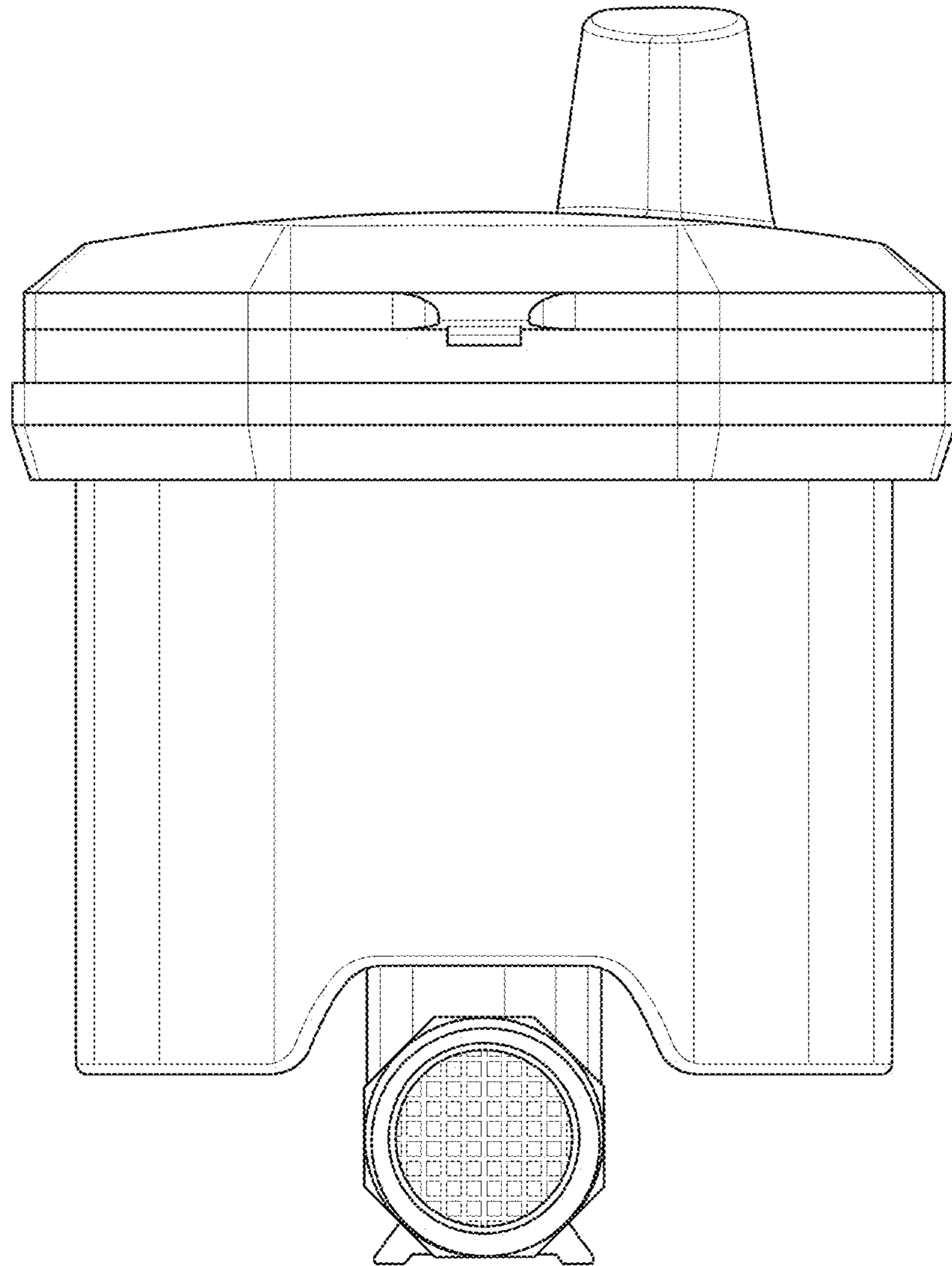


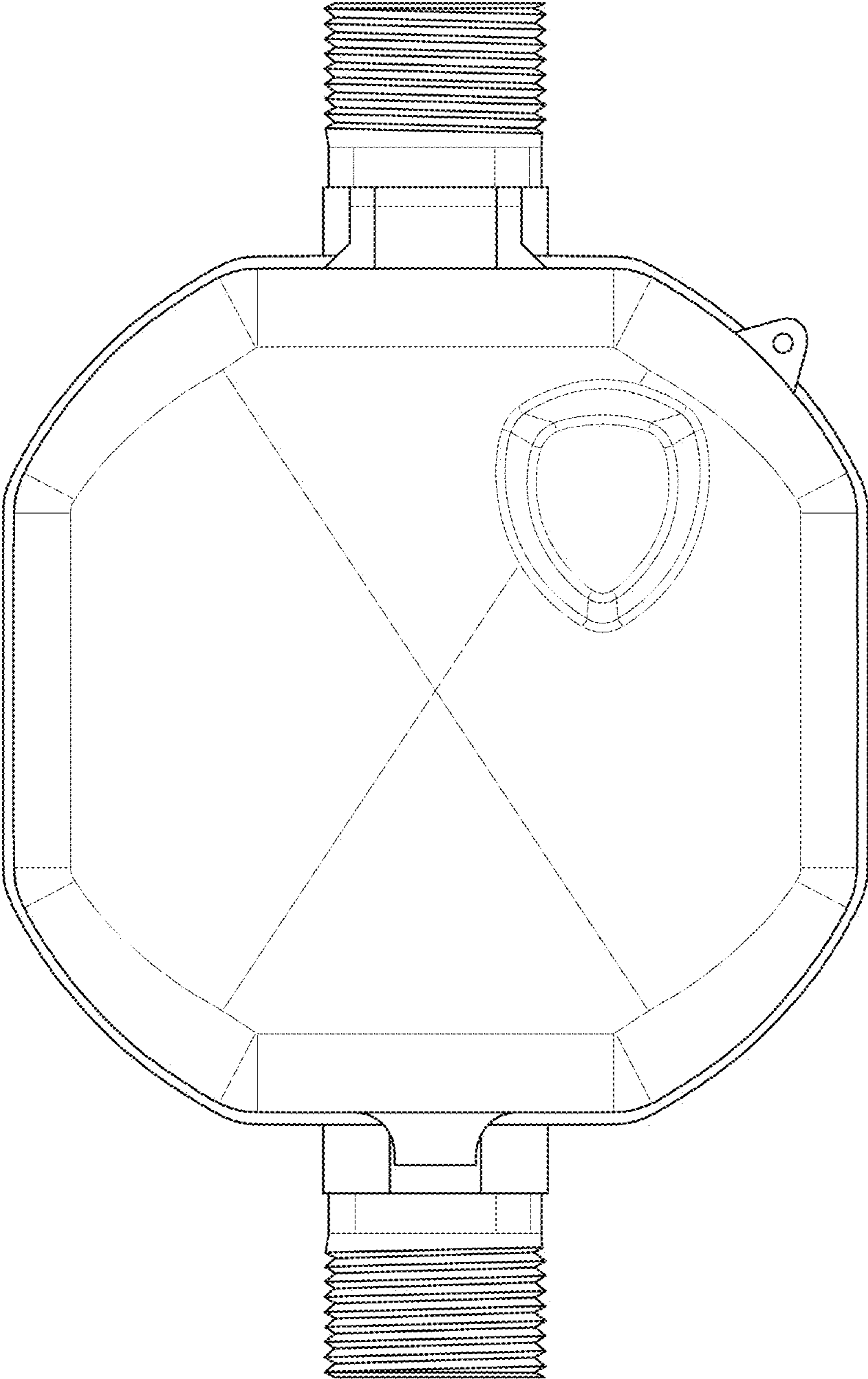
FIG. 3



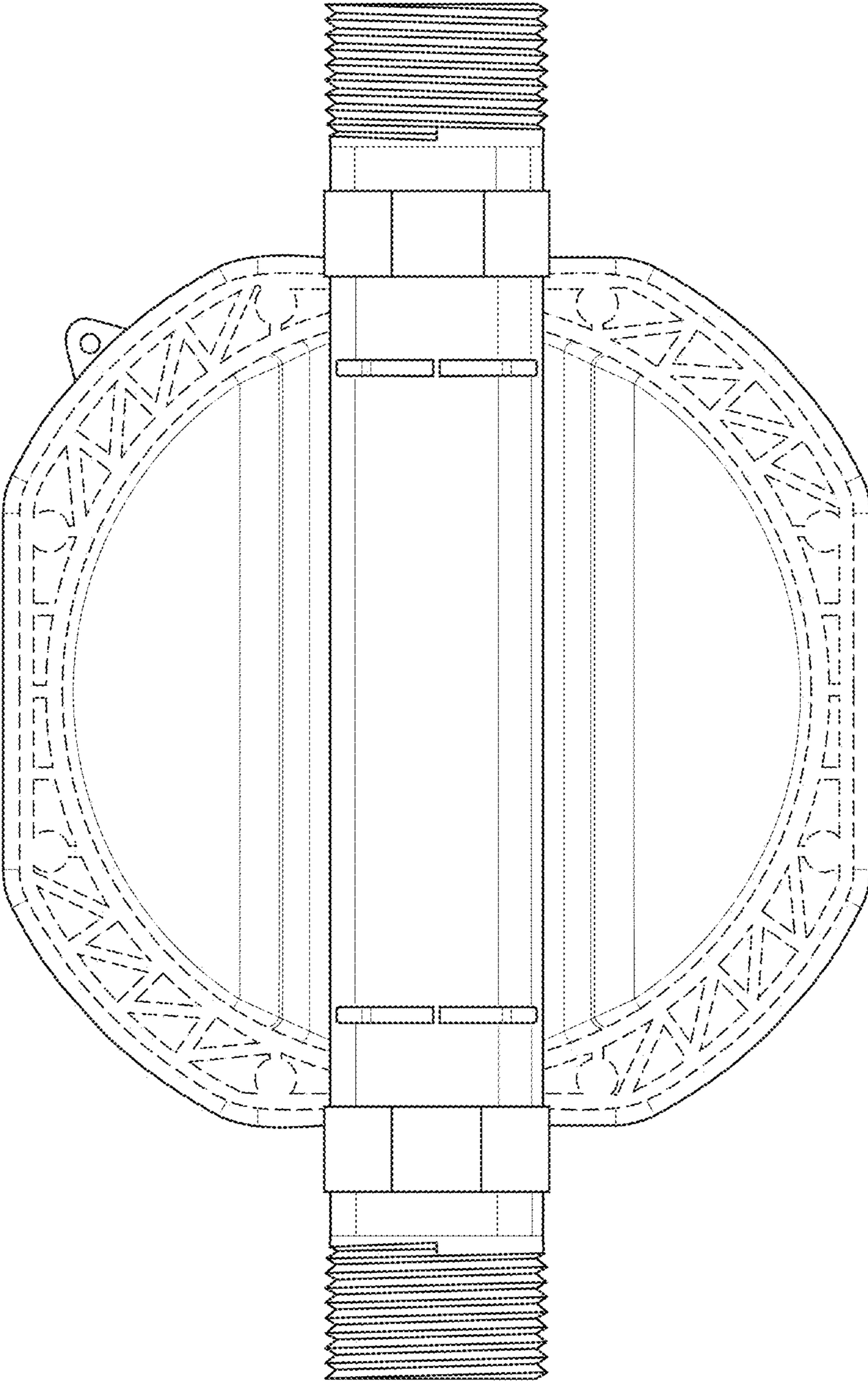
*FIG. 4*



**FIG. 5**



**FIG. 6**



**FIG. 7**